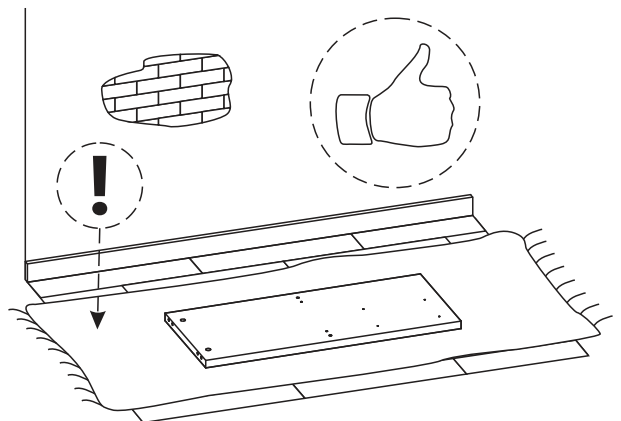
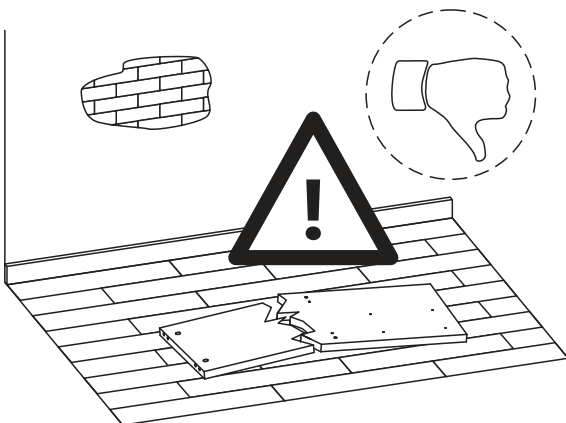
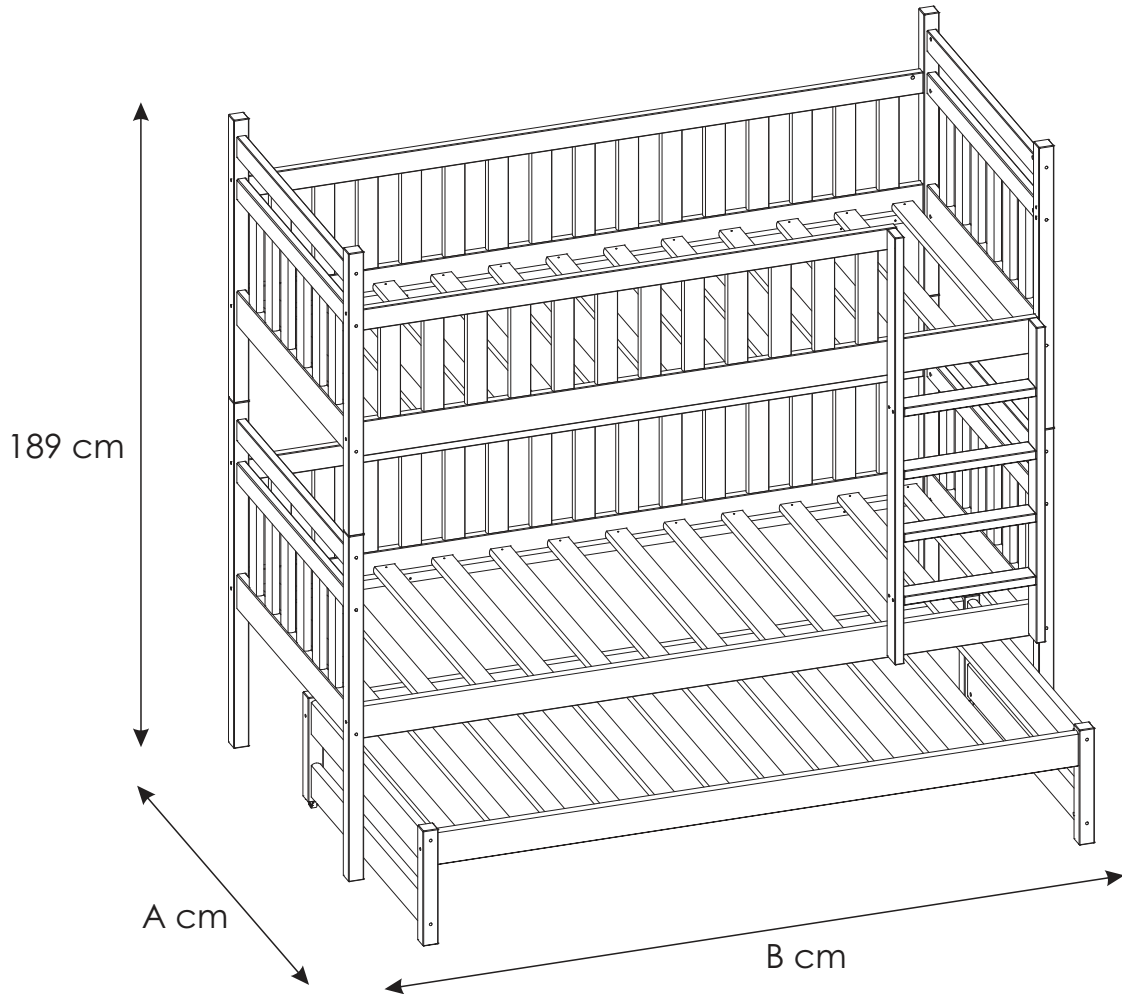
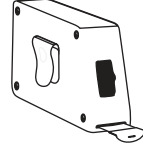
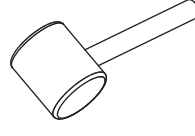
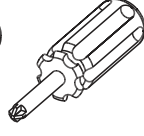
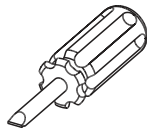
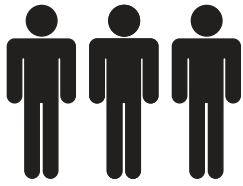
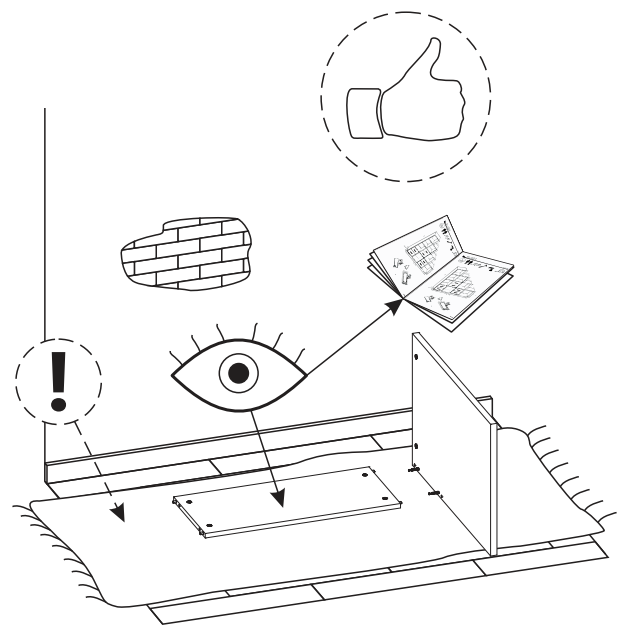
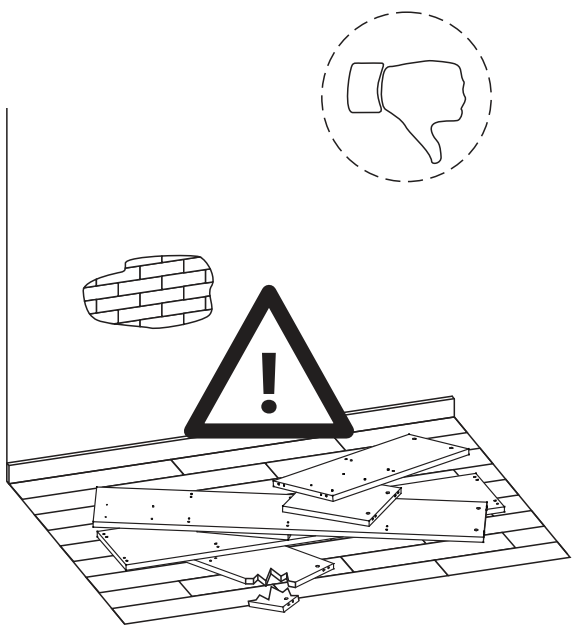
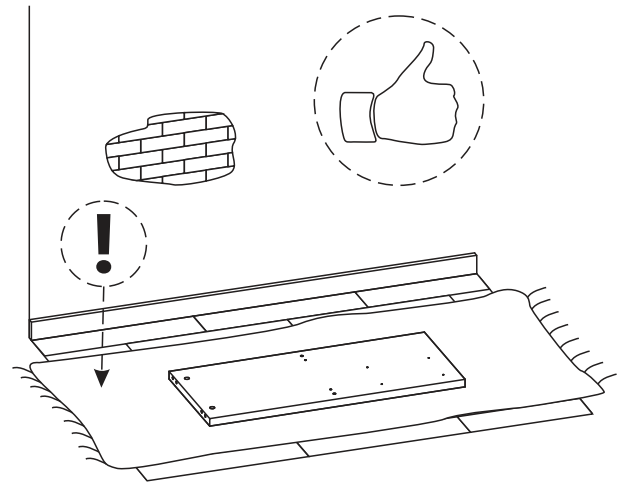
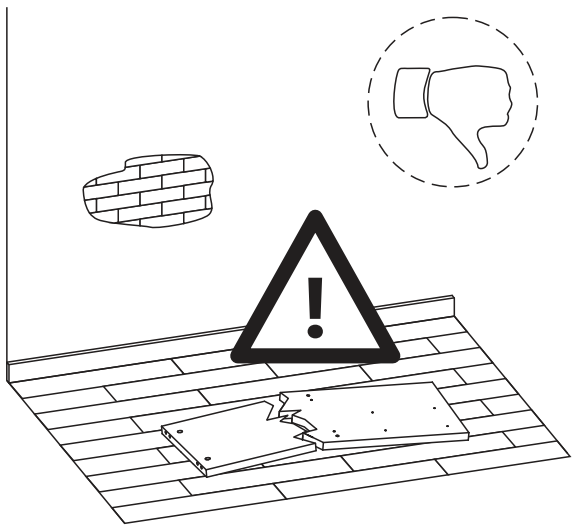
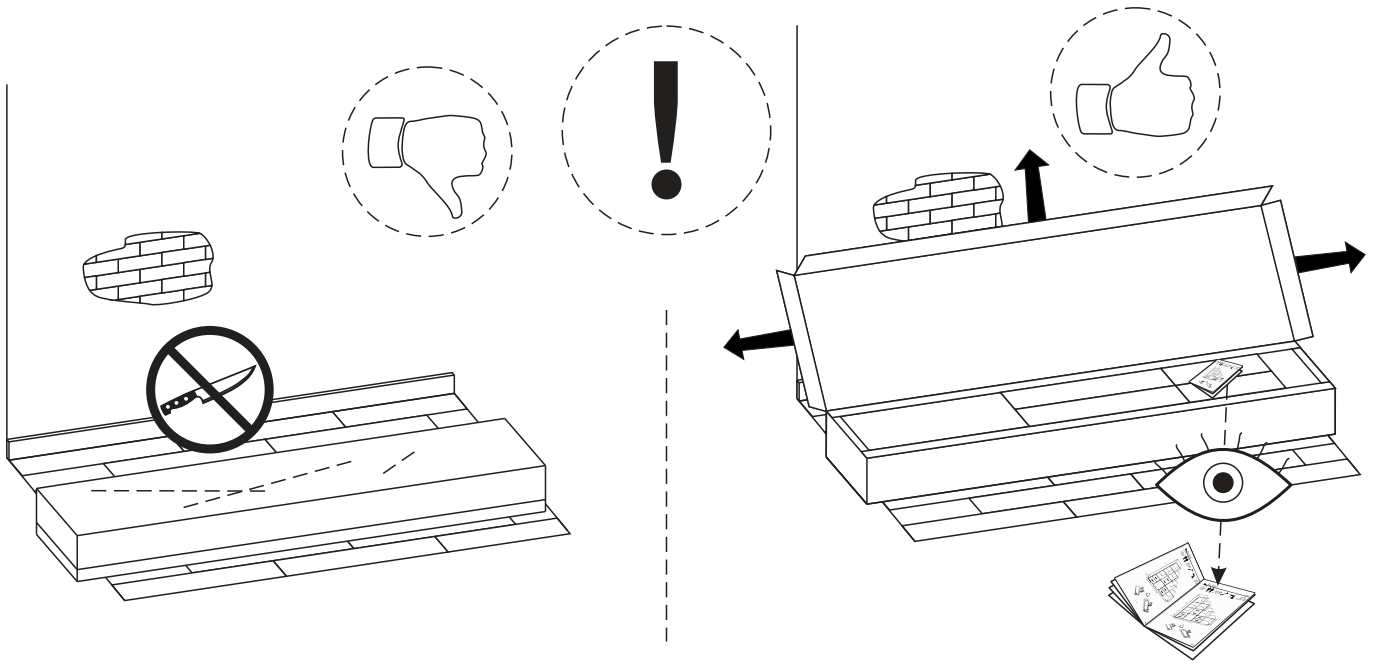
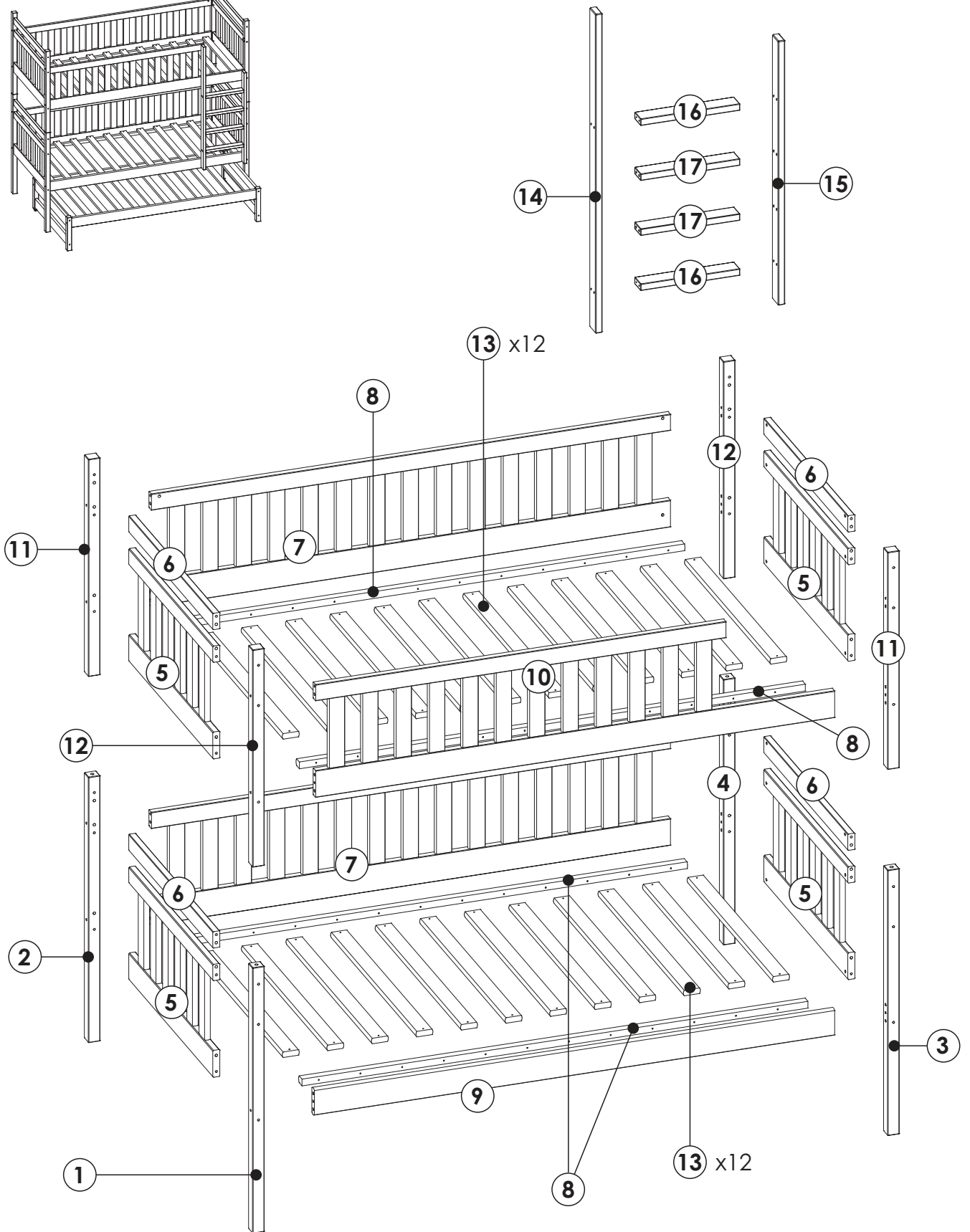
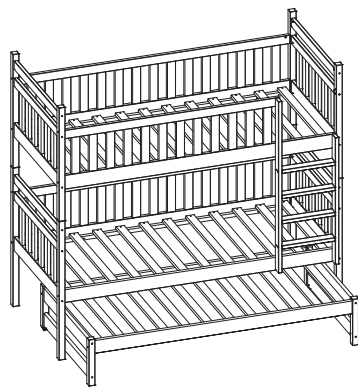


# MICHAŚ PROSTY III





# MICHAŚ PROSTY III

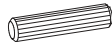
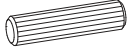
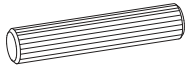











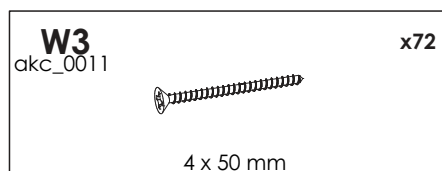
# MICHAŚ PROSTY III

DPL <b>1</b>	1056	45	45	x1	M3NDPL_01020
DTL <b>2</b>	1056	45	45	x1	M3NDTL_01030
DPP <b>3</b>	1056	45	45	x1	M3NDPP_01040
DTP <b>4</b>	1056	45	45	x1	M3NDTP_01050
PBP <b>5</b>	685, 785, 885	449	27	x4	PS_00470 DPT_00810 DP_00480
DP <b>6</b>	685, 785, 885	65	27	x4	DP65_00820
PDT <b>7</b>	1390, 1590, 1690, 1790, 1890, 1990	449	27	x2	PS_00470 DPDC_00670 DPDC_00680
LS <b>8</b>	1340, 1540, 1640, 1740, 1840, 1940	35	27	x4	LS_00160
DN <b>9</b>	1390, 1590, 1690, 1790, 1890, 1990	107	27	x1	DN_00110
PDP <b>10</b>	1390, 1590, 1690, 1790, 1890, 1990	449	27	x1	PS_00470 DPDD_00640 DPDC_00660
GTL <b>11</b>	864	45	45	x2	MNGTL_00700
GTP <b>12</b>	864	45	45	x2	MNGTP_00720
DS <b>13</b>	700, 800, 900	65	22	x36	DS_00170
P4S <b>14</b>	1305	65	27	x1	DDP4S_00630
P4S <b>15</b>	965	65	27	x1	DDP4S_00620
DSS <b>16</b>	390	65	27	x2	DSS_00210
DSK <b>17</b>	390	65	27	x2	DSK_00220
WPL <b>18</b>	352	45	45	x1	NWPL_01060
WTL <b>19</b>	320	45	45	x1	NWTL_01080
WPP <b>20</b>	352	45	45	x1	NWPP_01070
WTP <b>21</b>	320	45	45	x1	NWTP_01090
DND <b>22</b>	1290, 1490, 1590, 1690, 1790, 1890	107	27	x2	DN_00110
LS <b>23</b>	1250, 1450, 1550, 1650, 1750, 1850	35	27	x2	LS_00160
DST <b>24</b>	685, 785, 885	107	27	x4	DST_00120

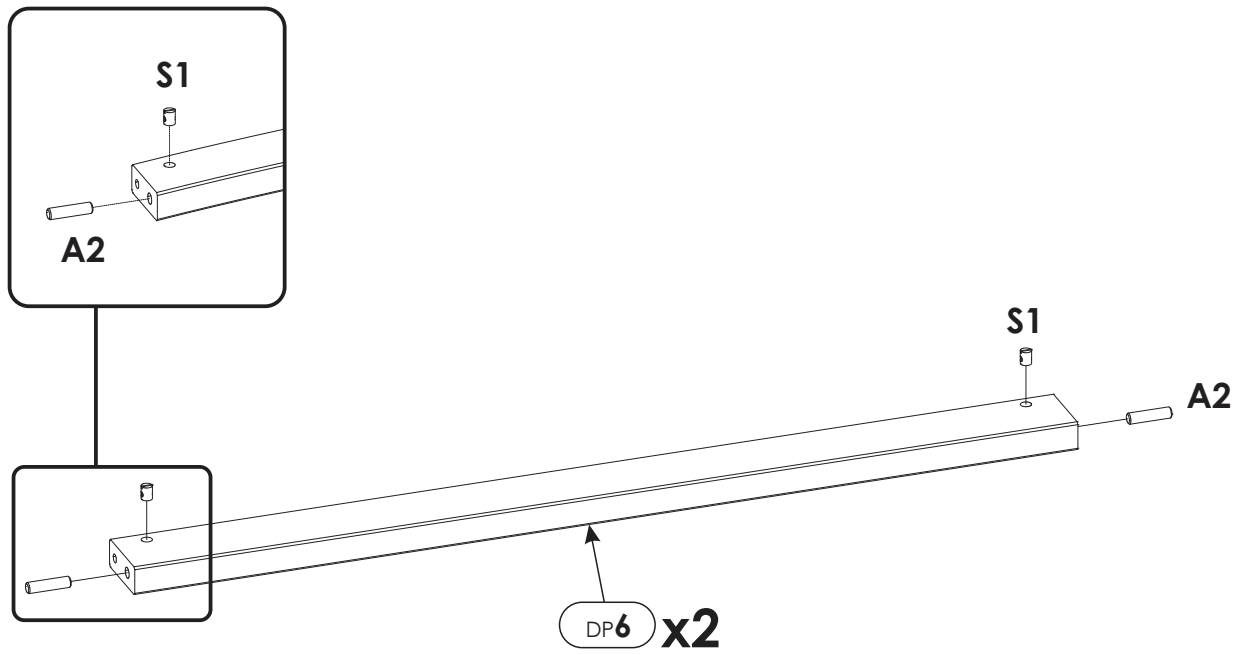
# MICHAŚ PROSTY III

<b>A1</b> akc_0001  8 x 35 mm x8	<b>A2</b> akc_0002  10 x 40 mm x61	<b>A3</b> akc_0003  12 x 60 mm x4
<b>J1</b> akc_0016  x2	<b>K1</b> akc_0004  6,4 x 50 mm x8	<b>M</b> akc_0005  x1
<b>N1</b> akc_0006  6 x 80 mm x49	<b>S1</b> akc_0008  10 x 16 mm x49	<b>W1</b> akc_0009  3,5 x 40 mm x76
<b>W4</b> akc_0012  4 x 60 mm x5		

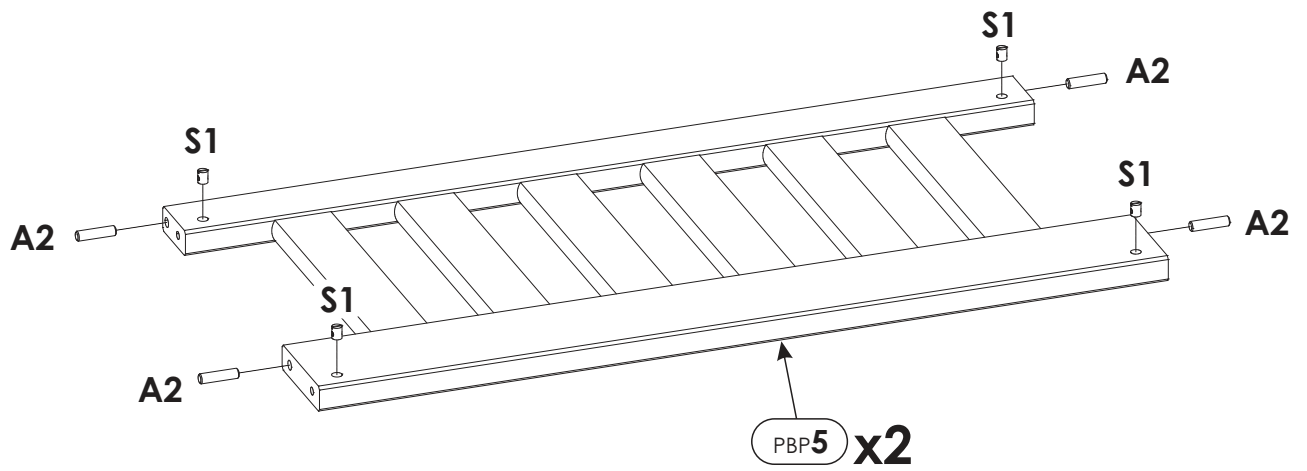
## OPTION



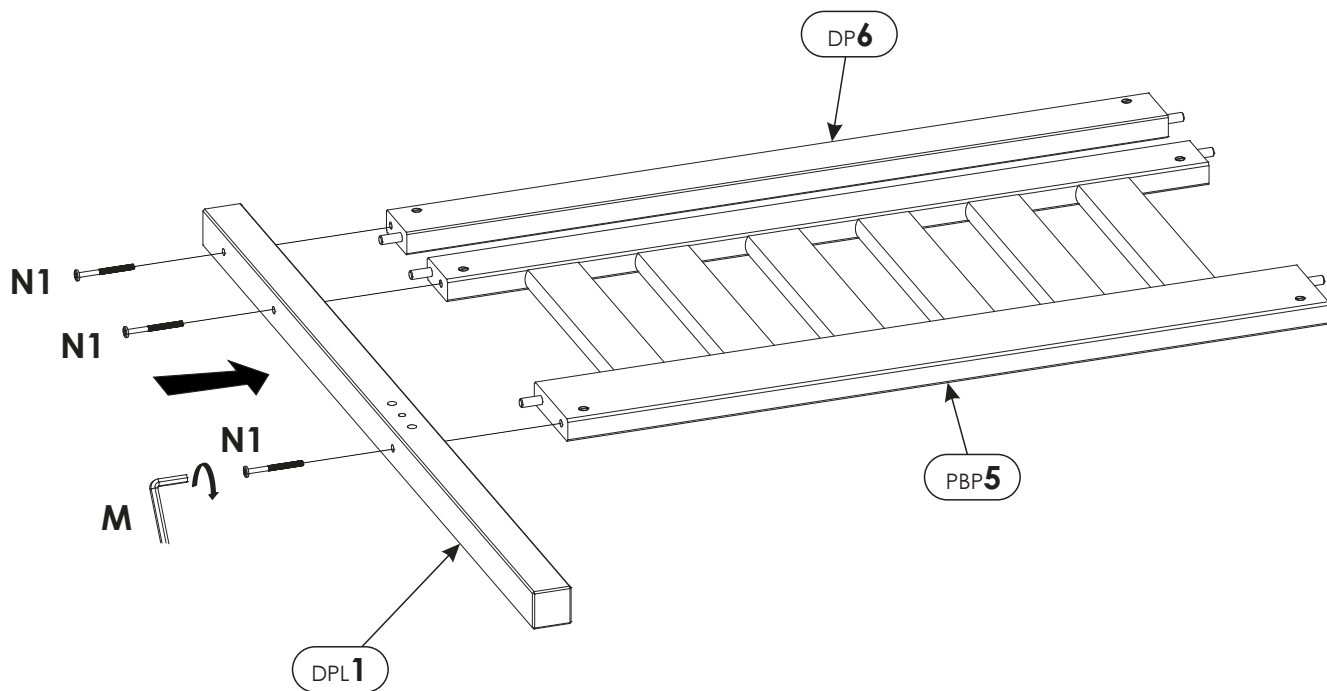
# 1.



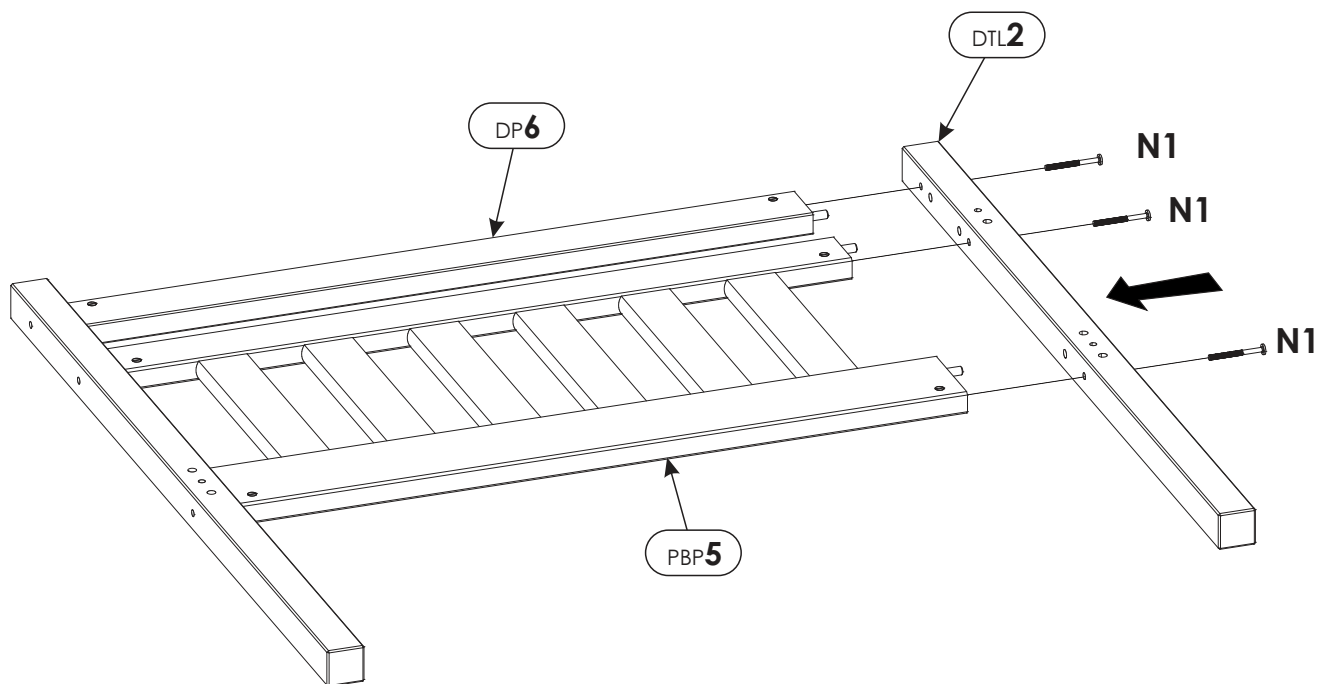
# 2.



# 3.



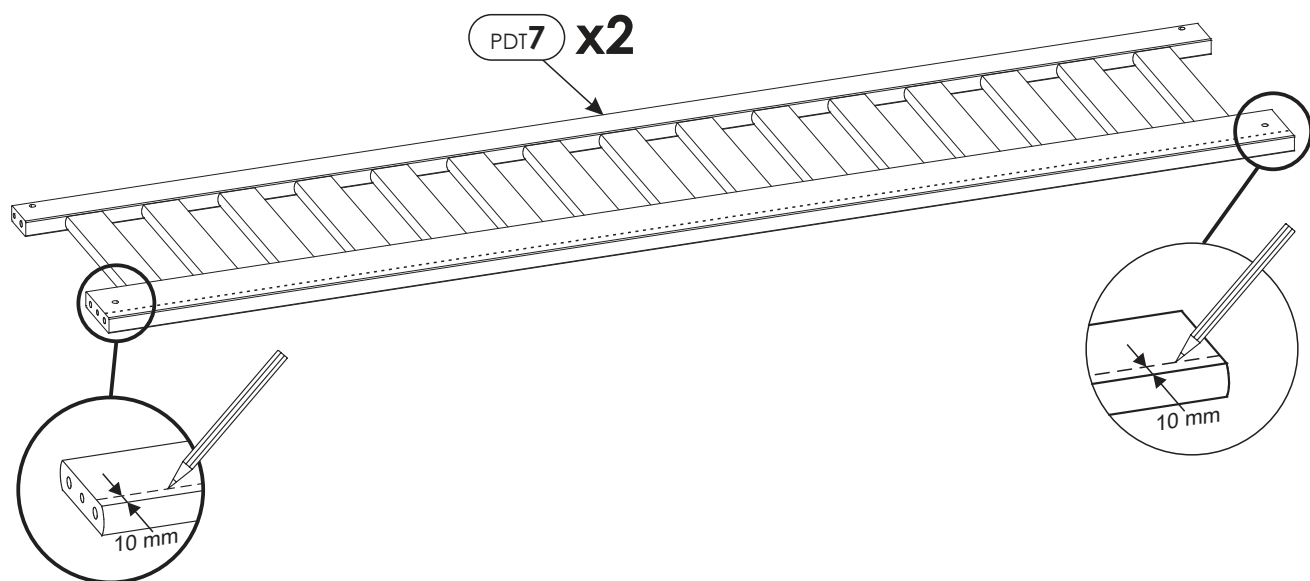
# 4.



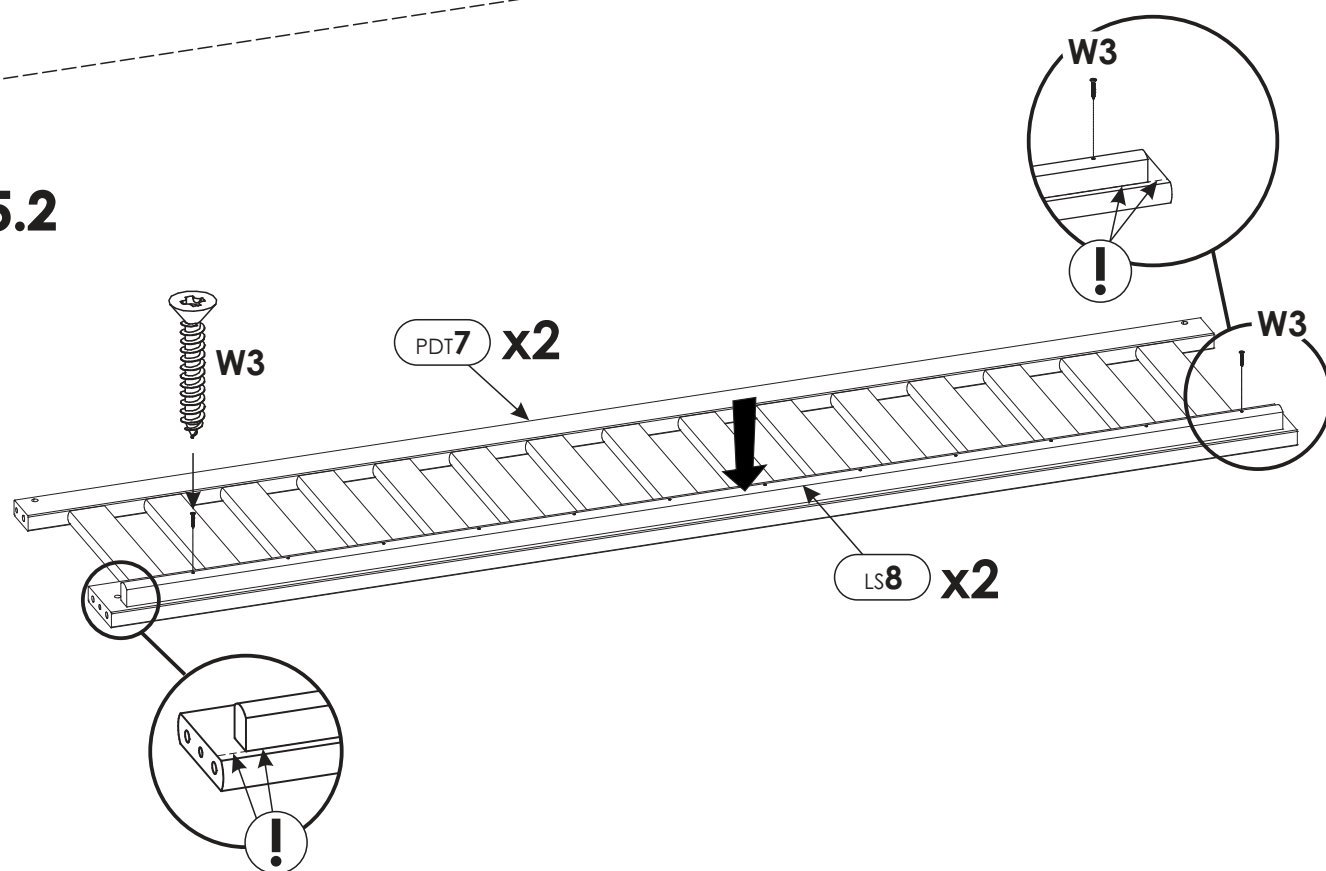


# 5.

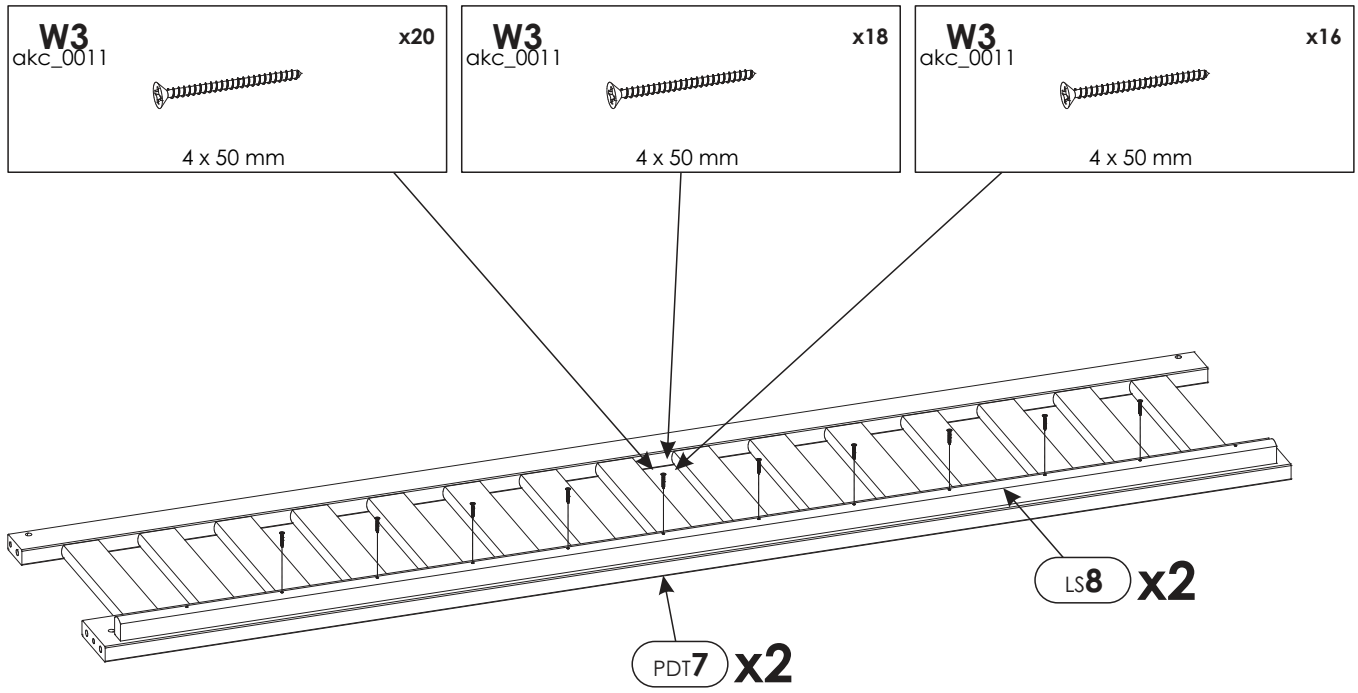
## 5.1



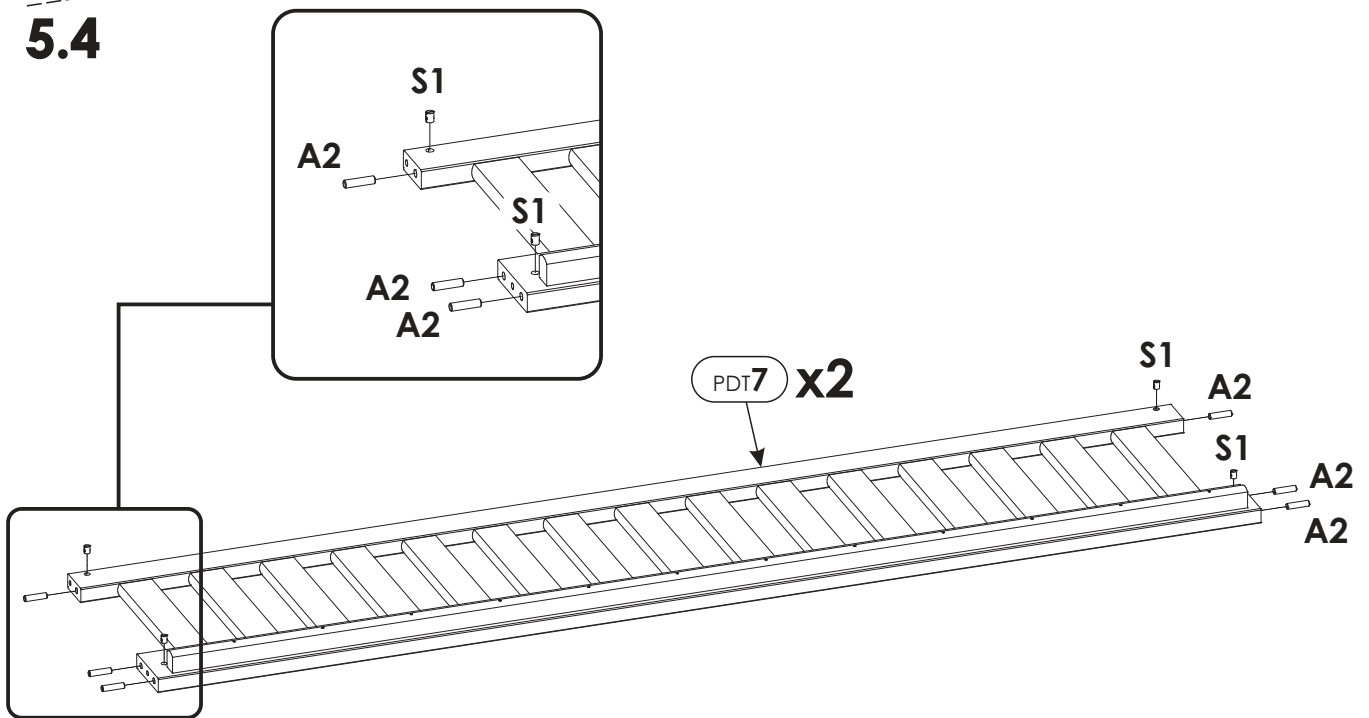
## 5.2




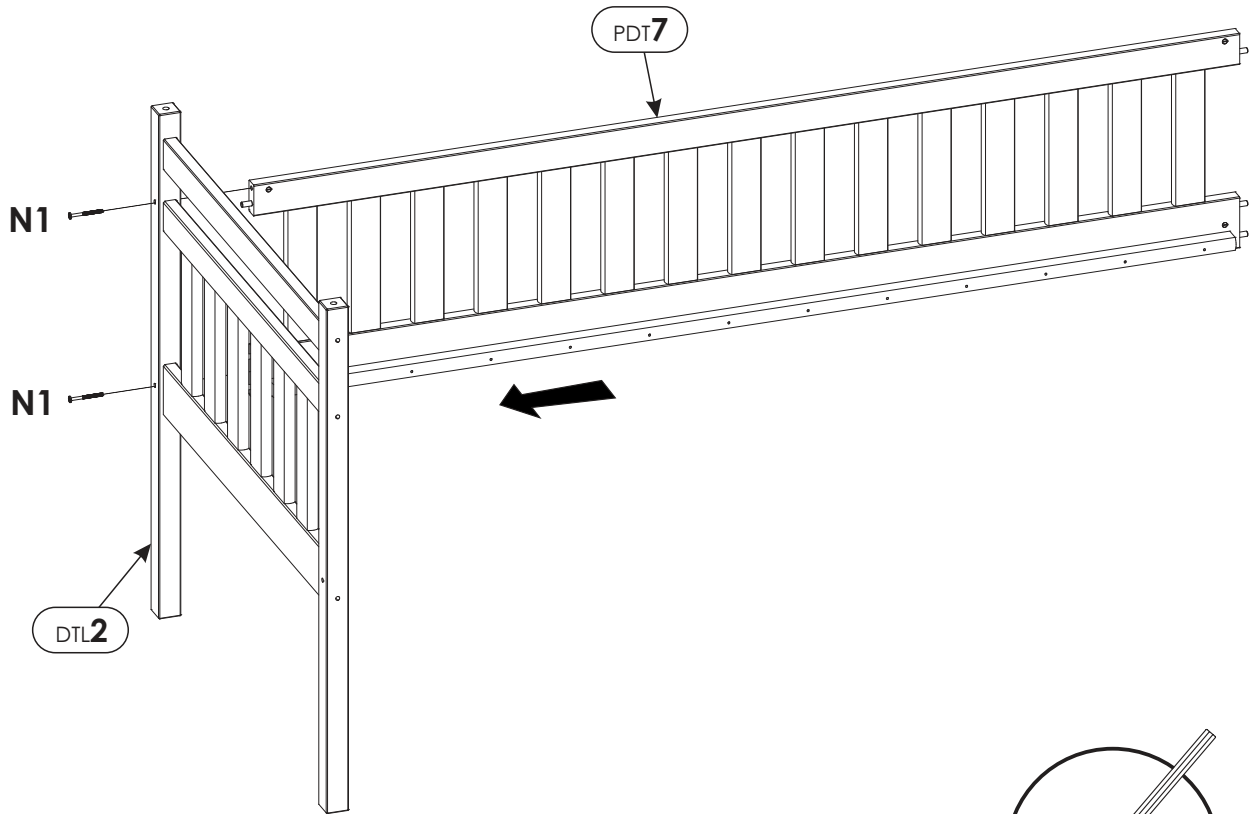
# 5.3



# 5.4

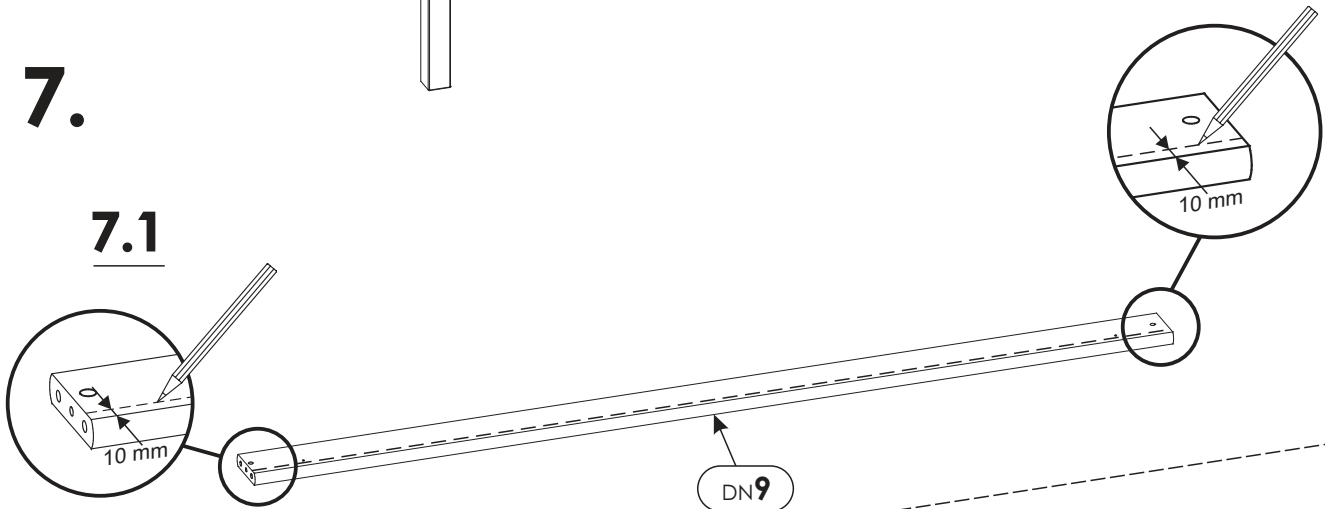


# 6.

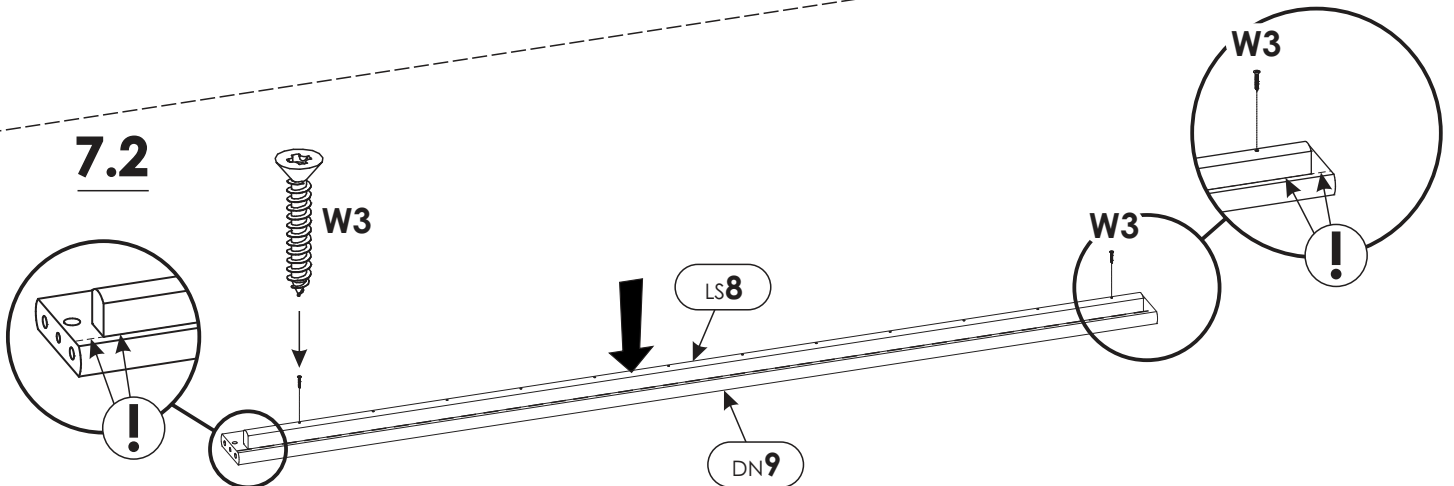



# 7.

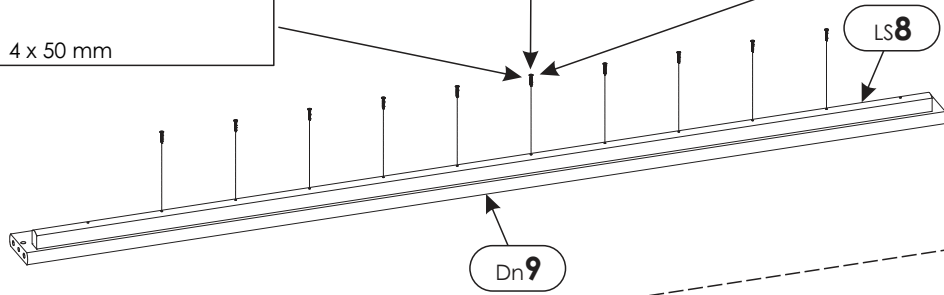
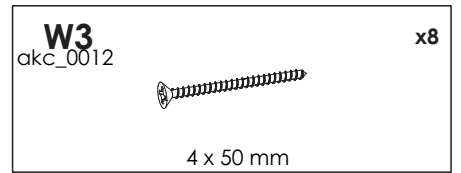
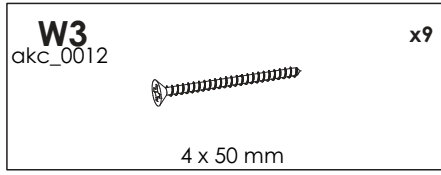
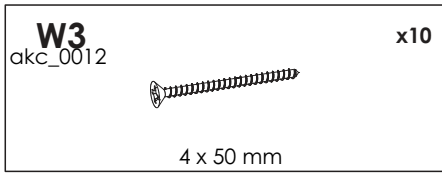
## 7.1



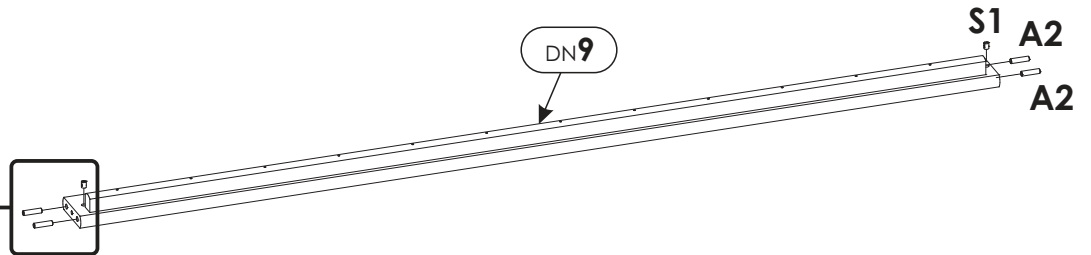
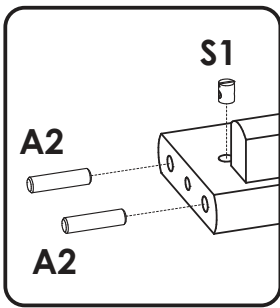
## 7.2



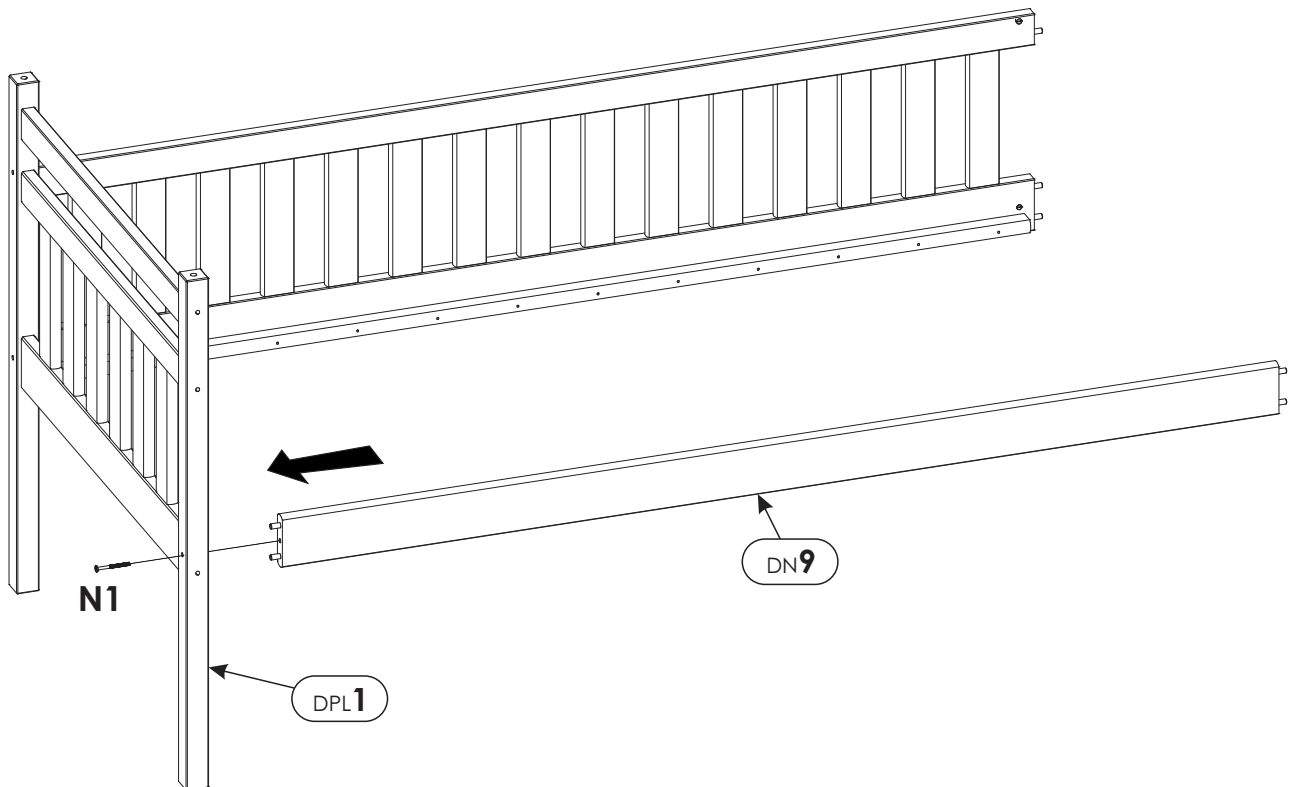
### 7.3



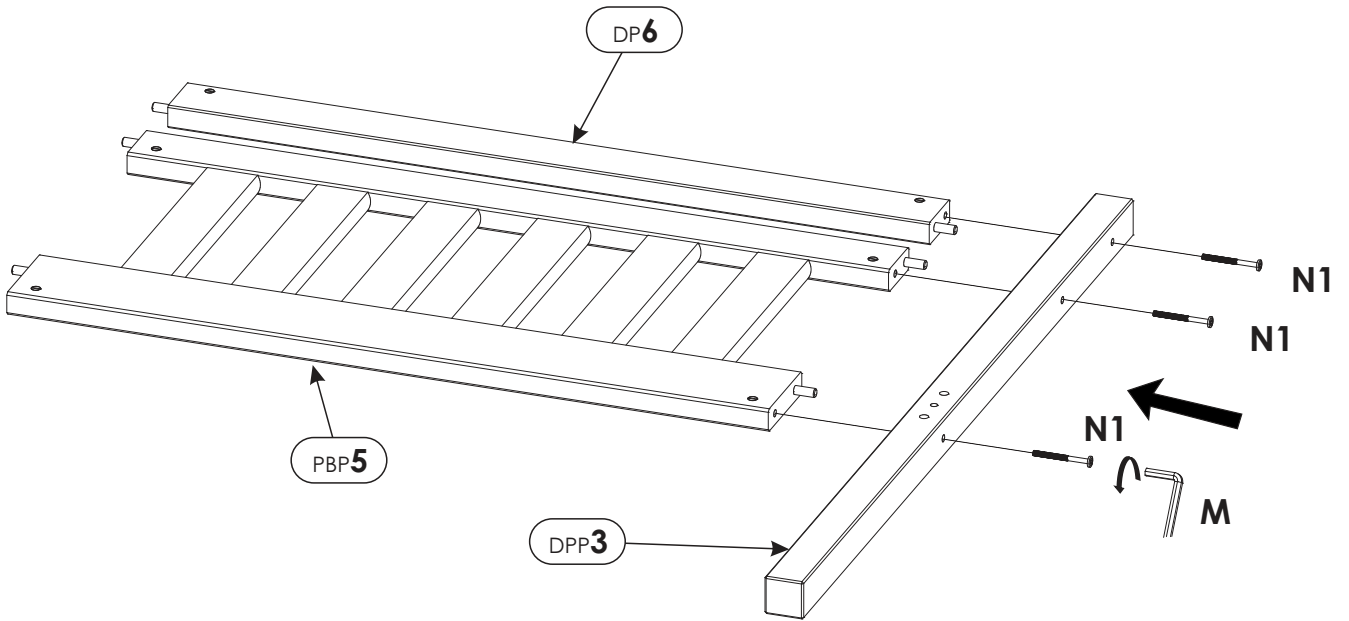
### 7.4



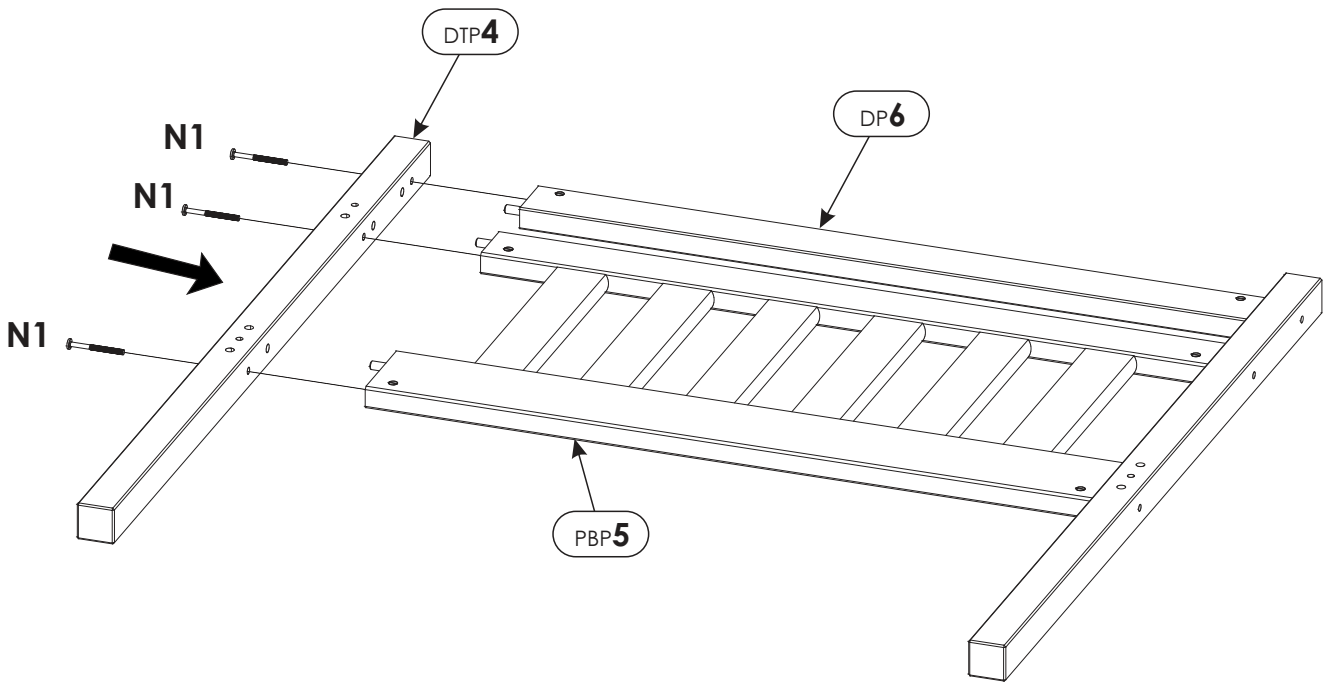
## 8.



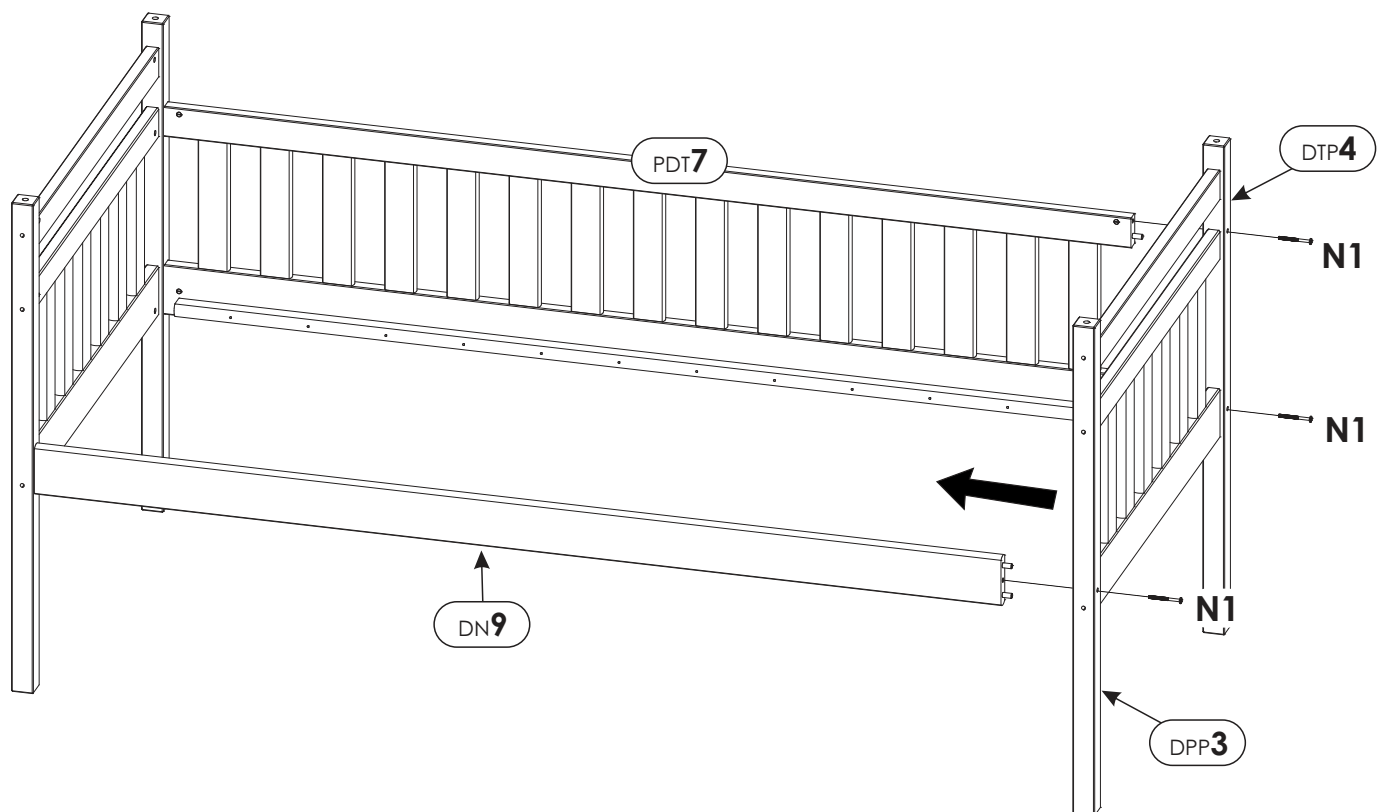
9.



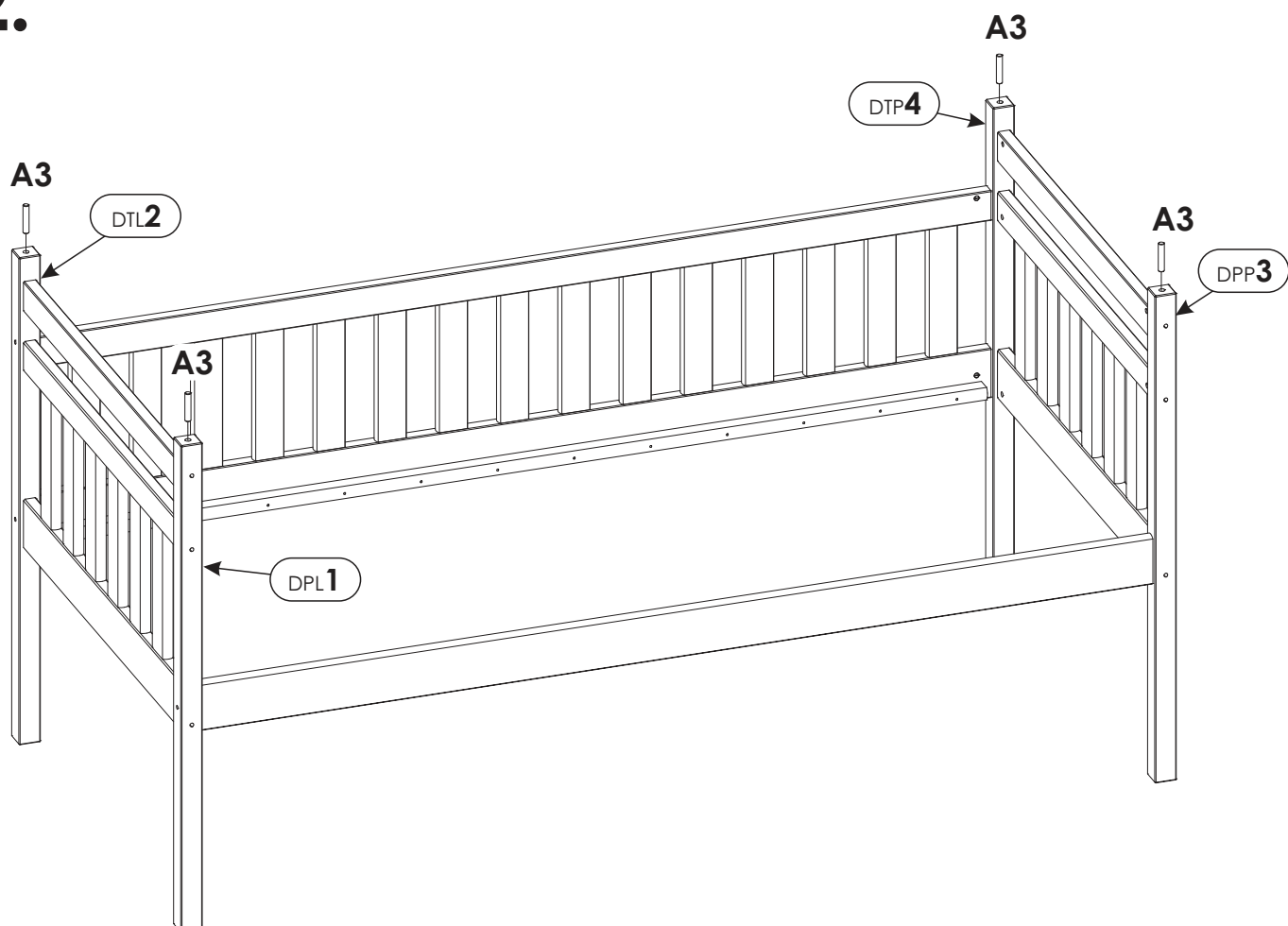
10.



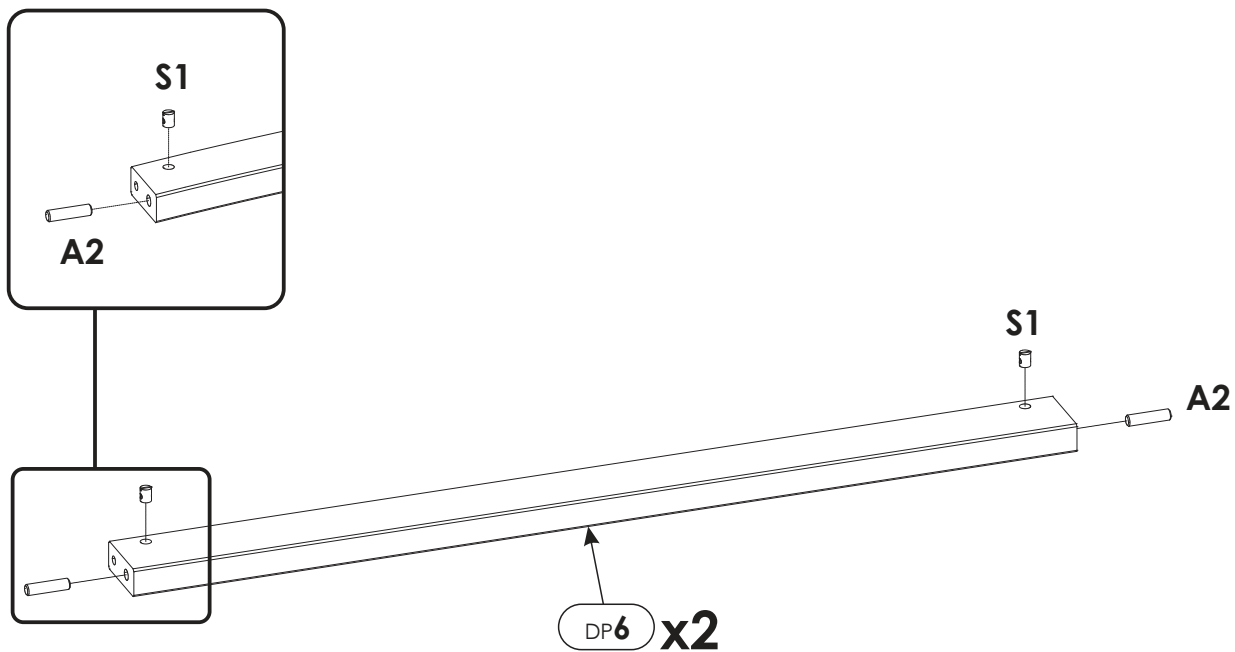
# 11.



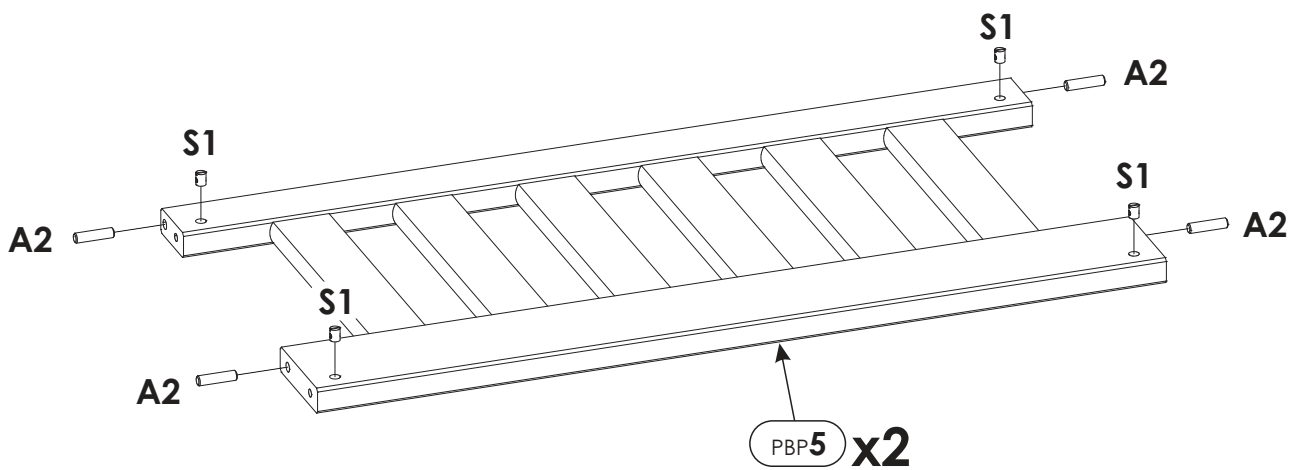
# 12.



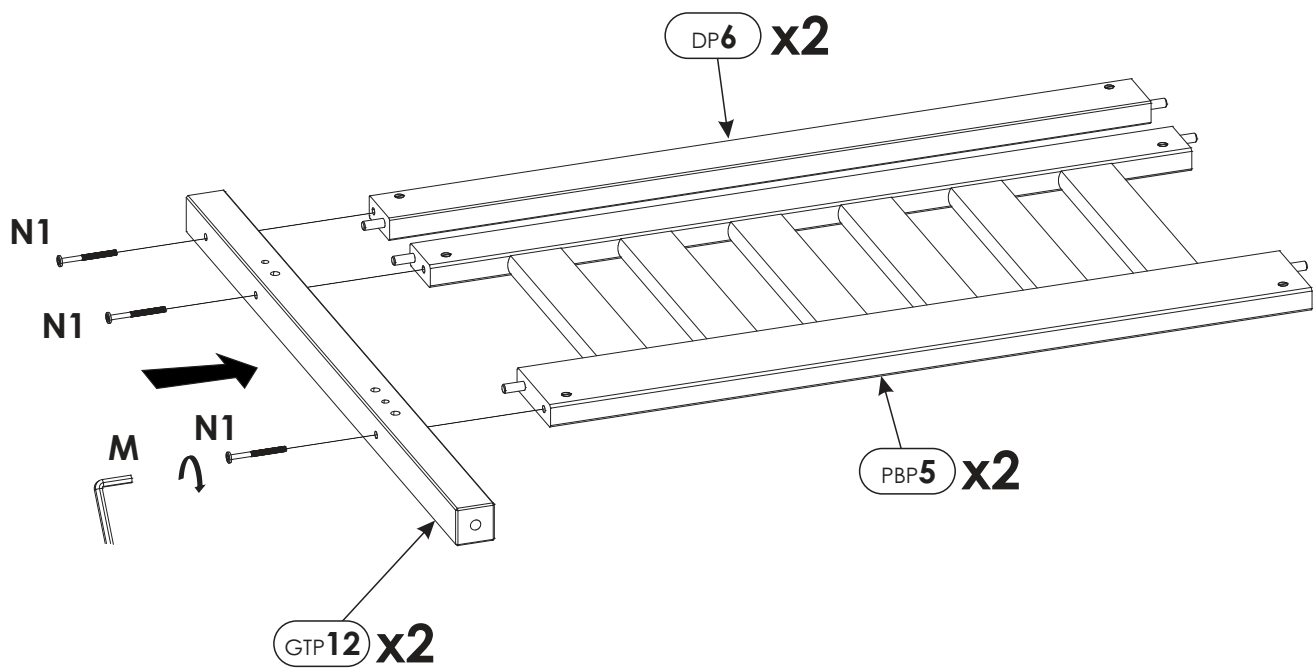
# 13.



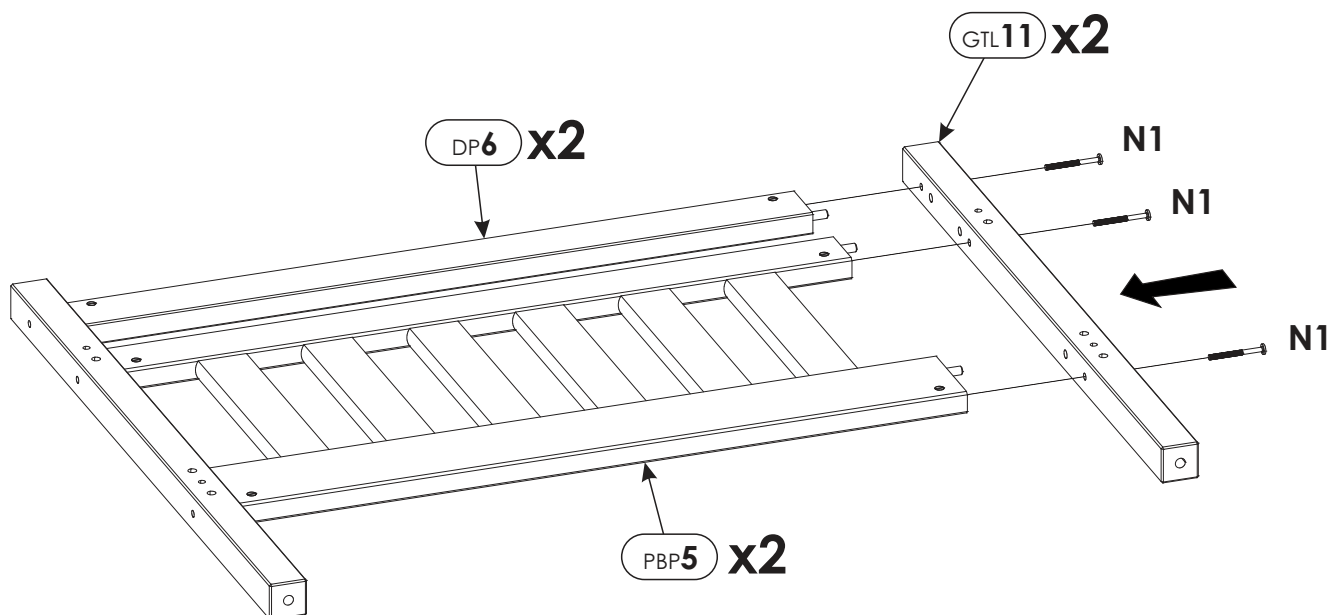
# 14.



# 15.

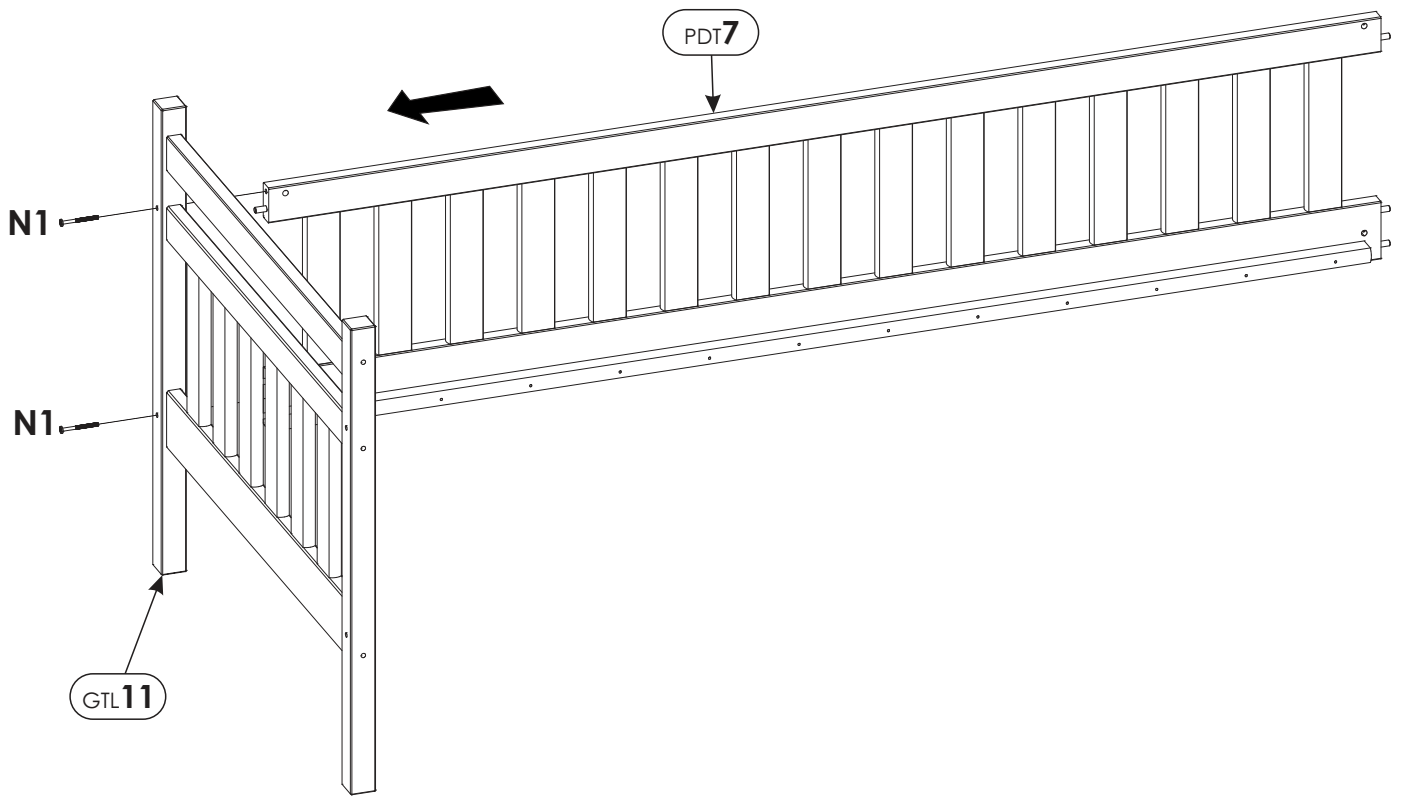


# 16.

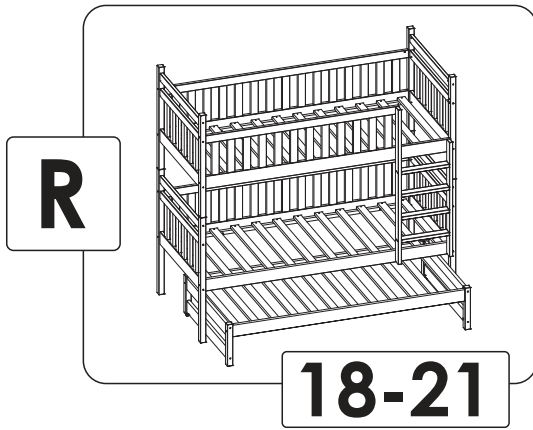




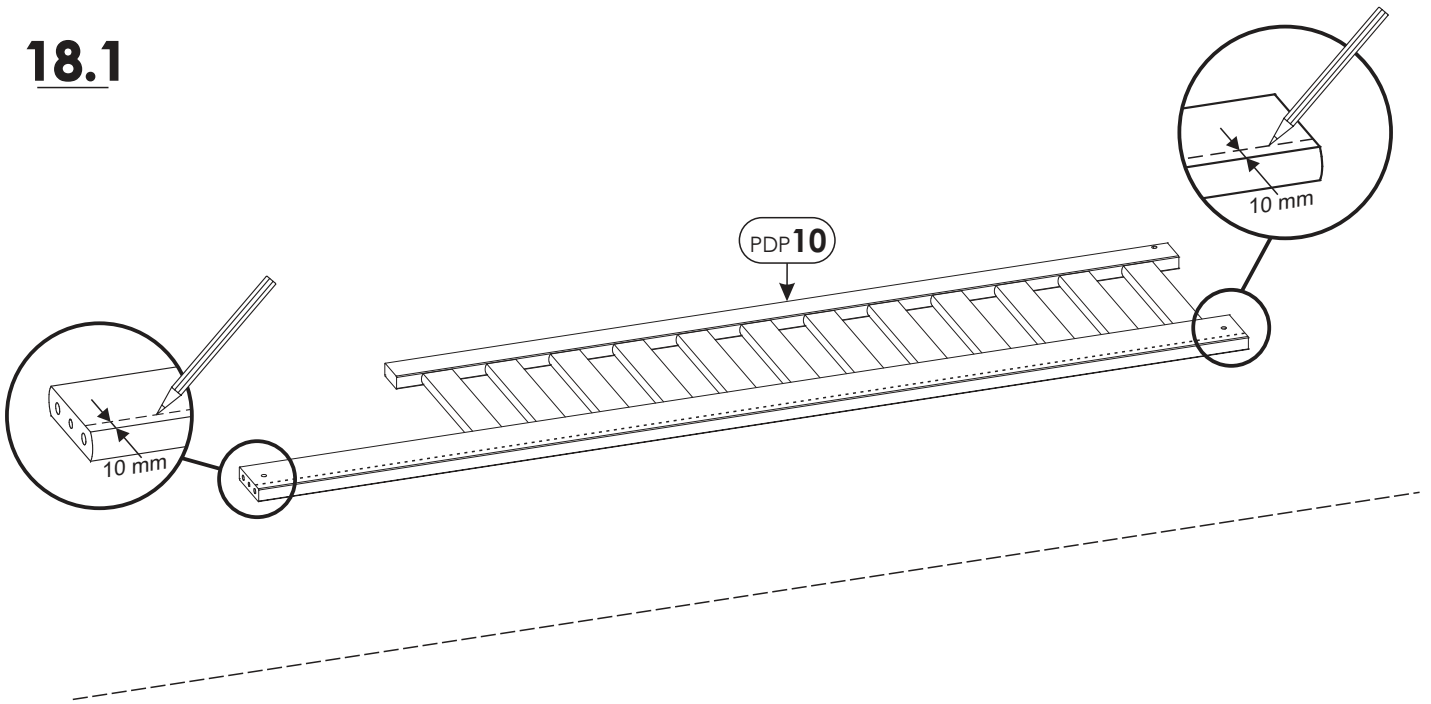
17.



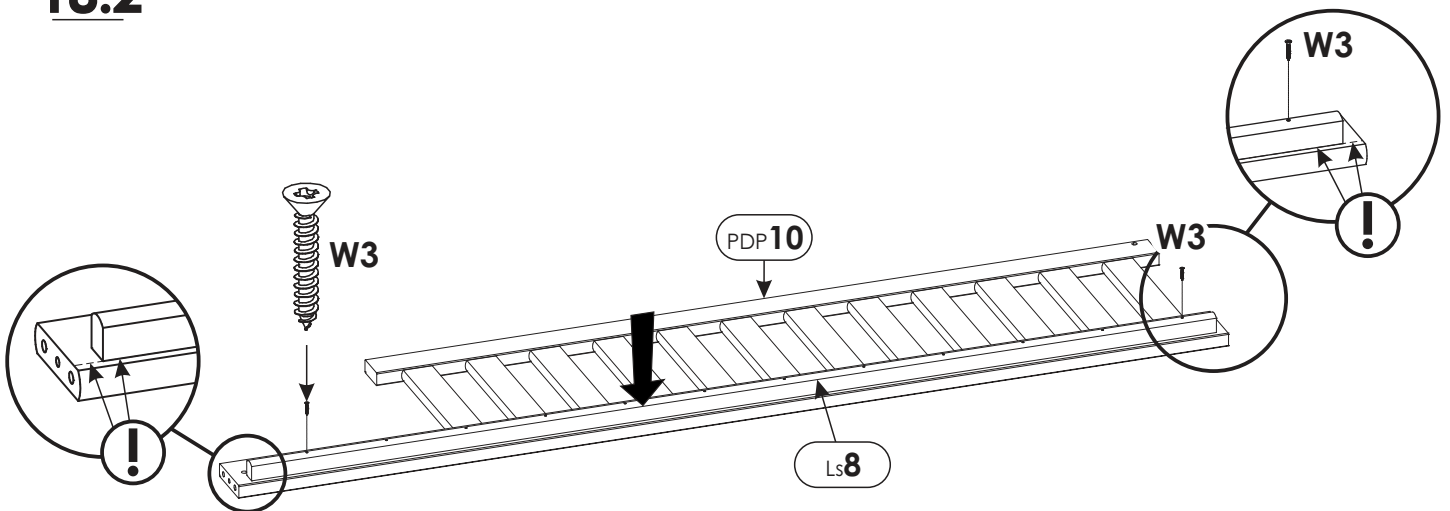
**18.**



**18.1**

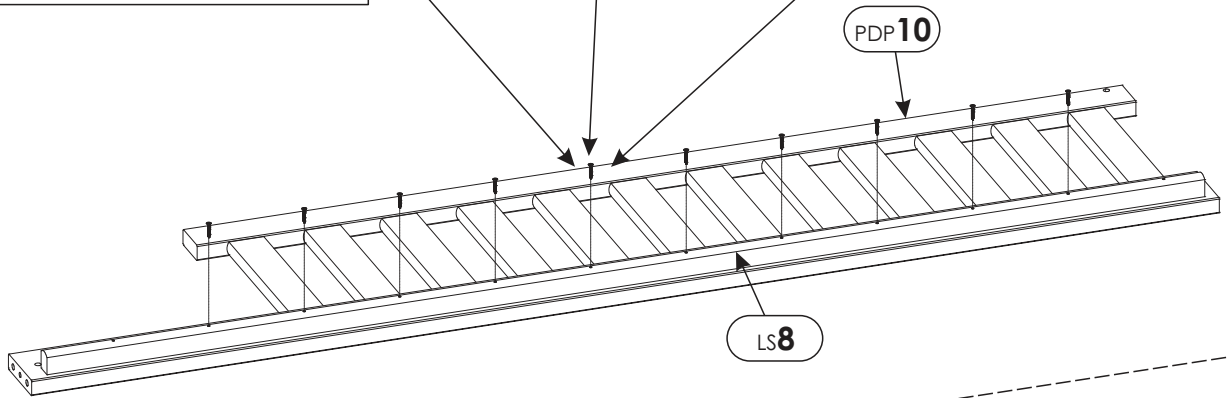
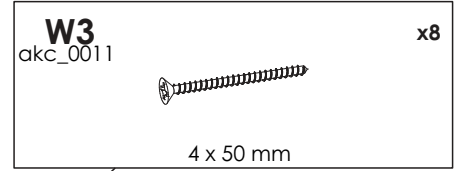
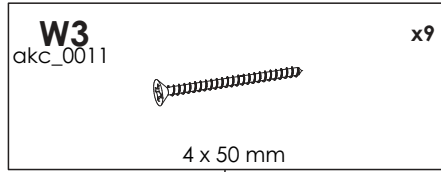
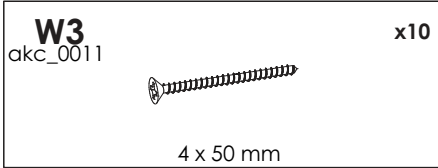
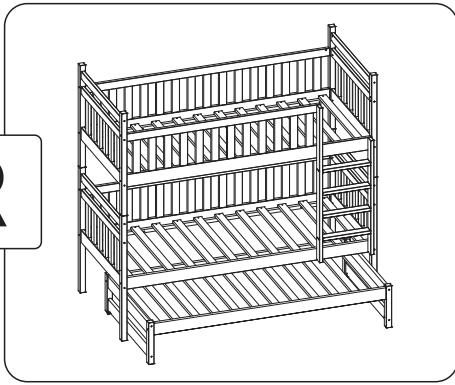


**18.2**

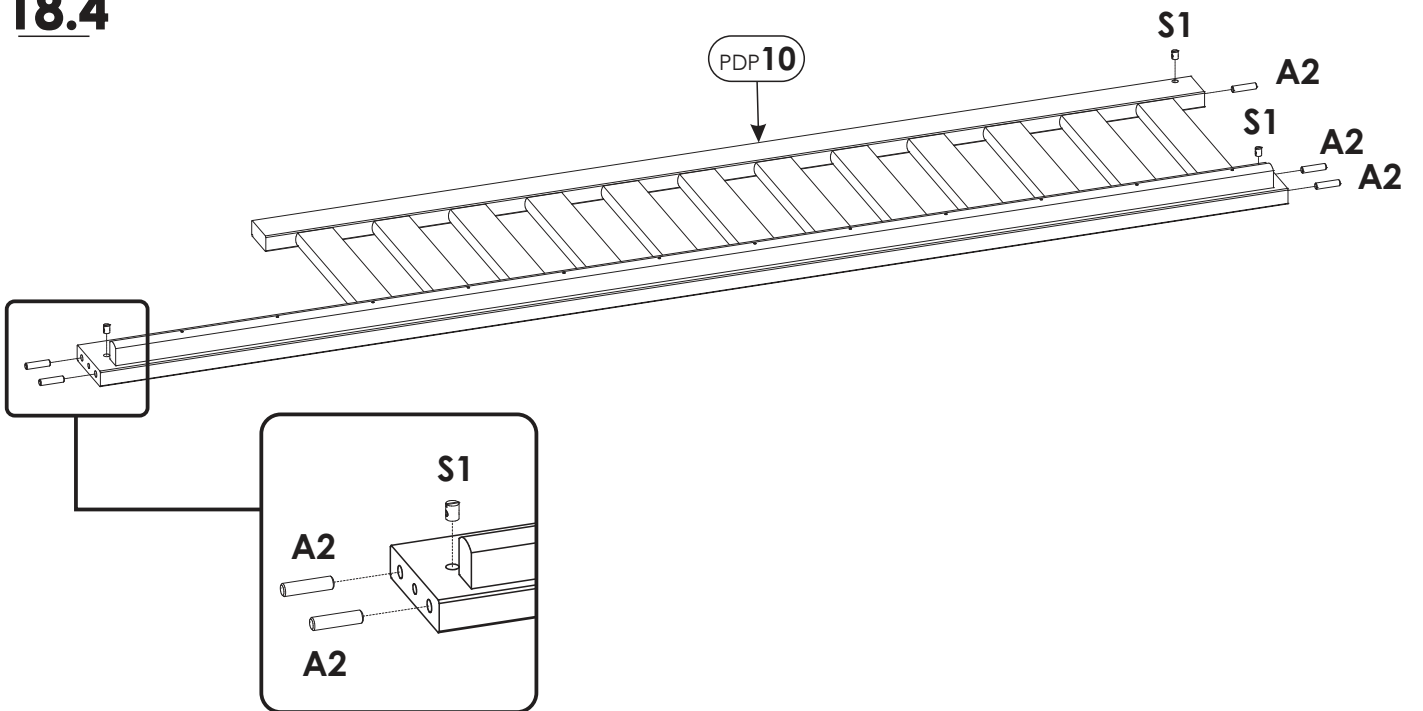


# 18.3

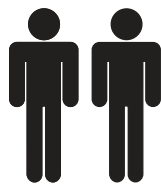
# R



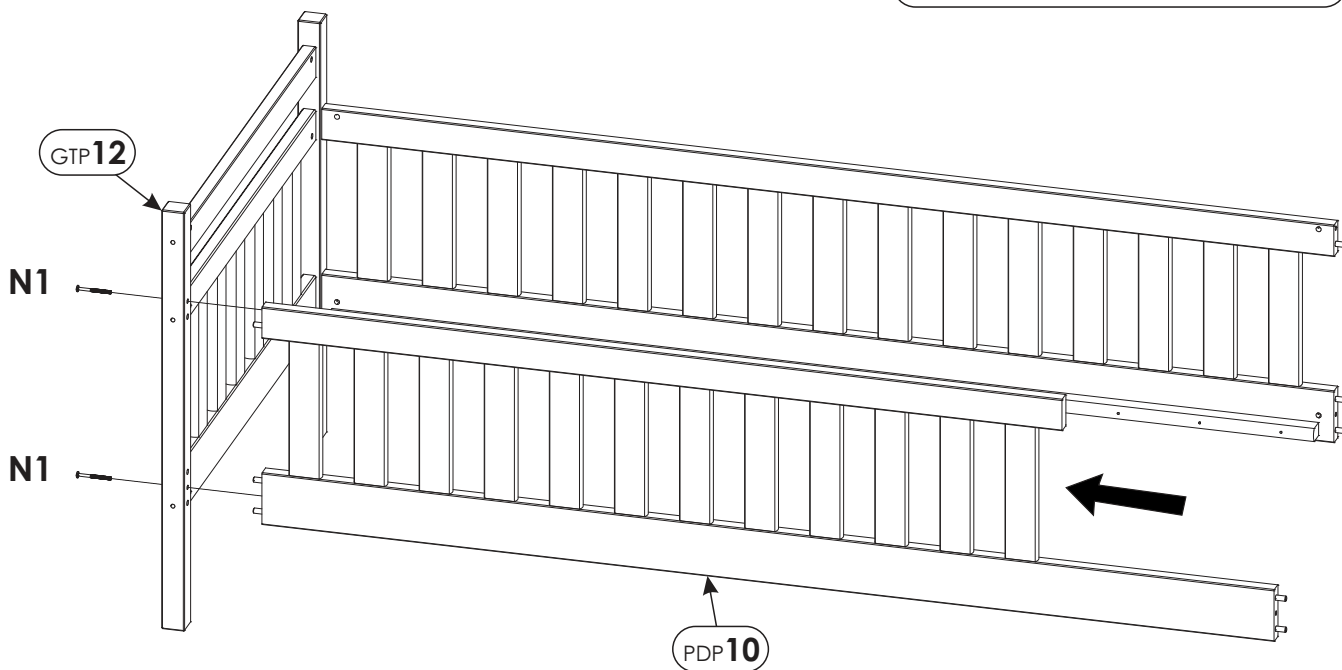
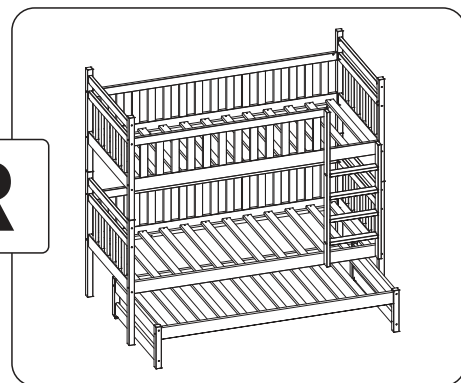
# 18.4



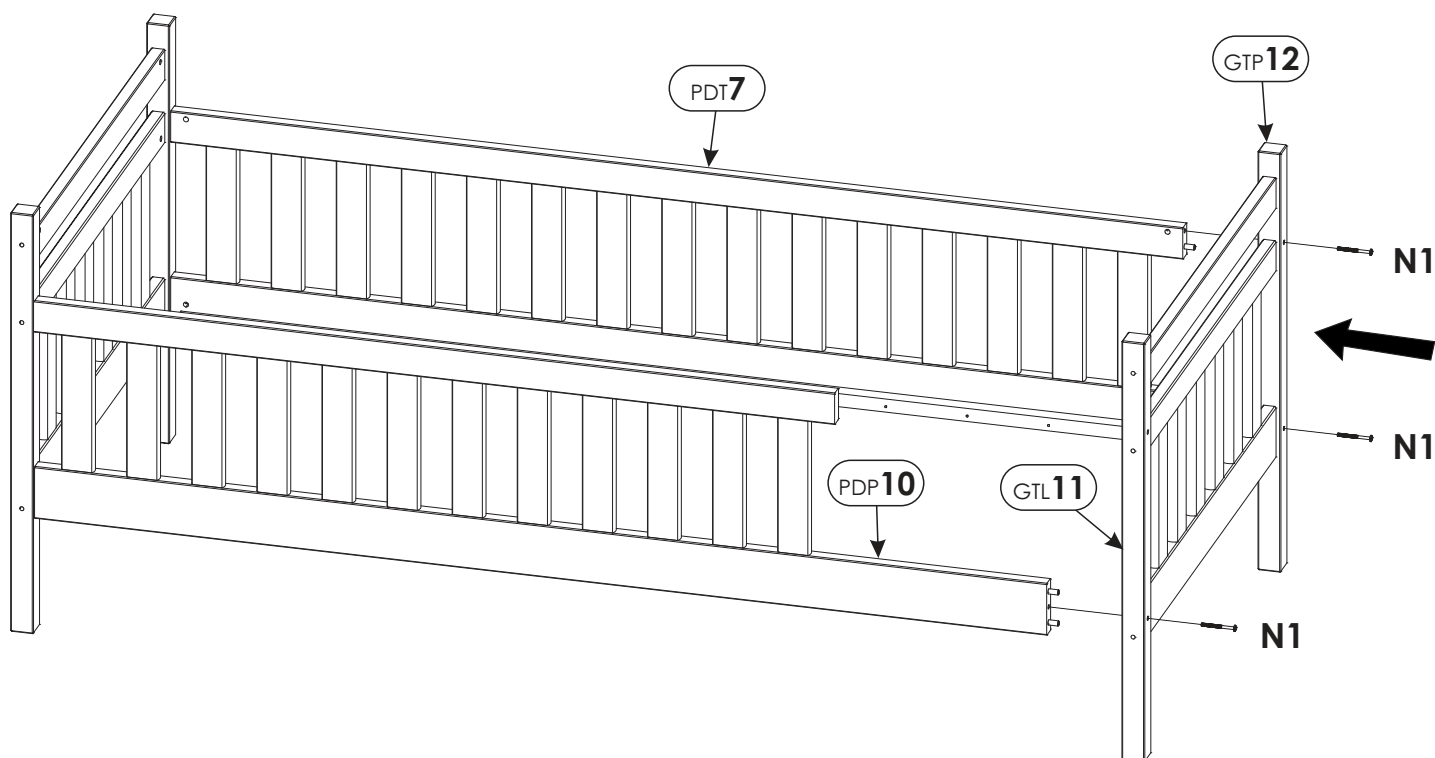
19.



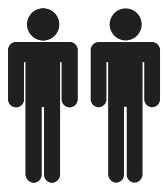
R



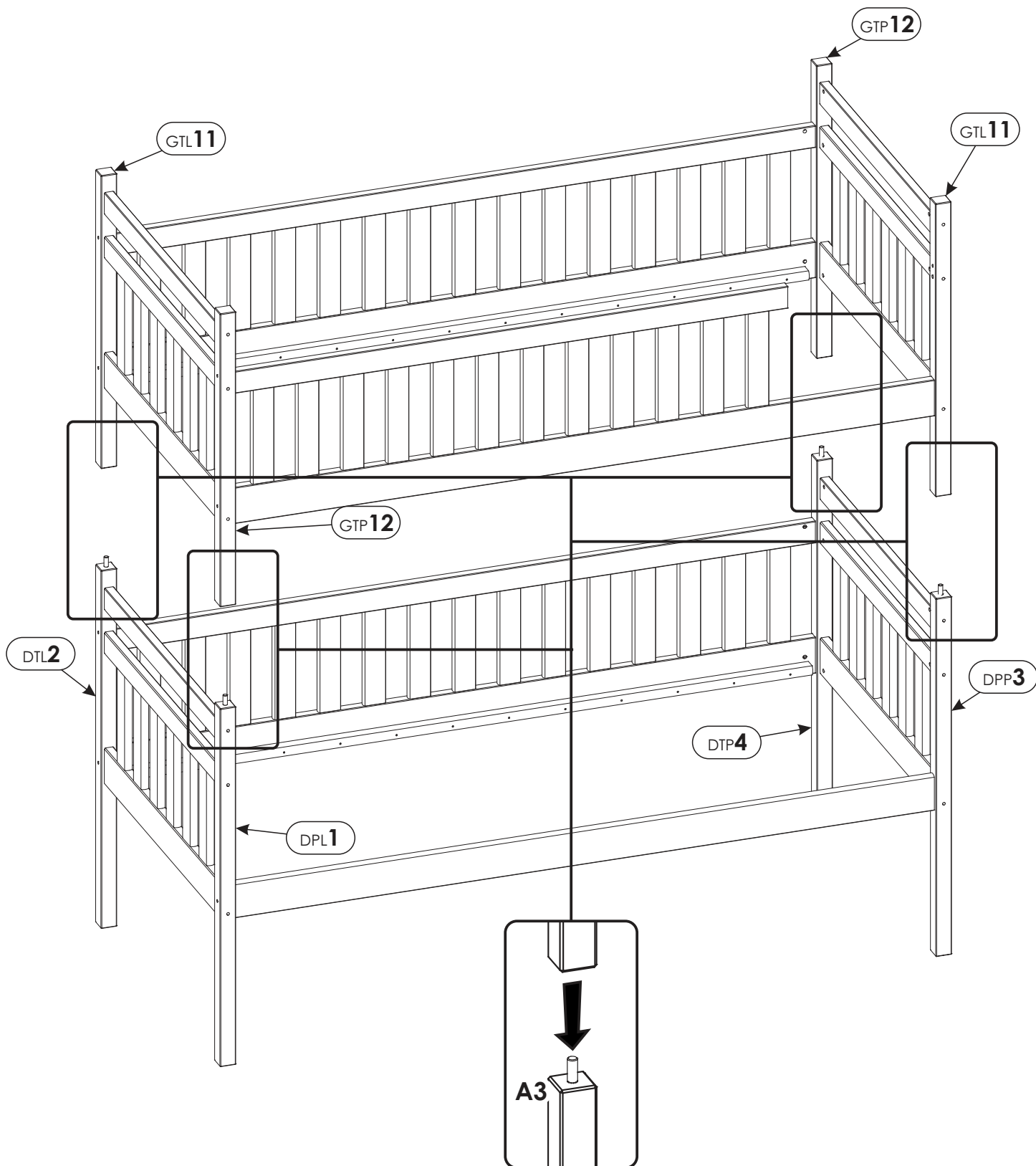
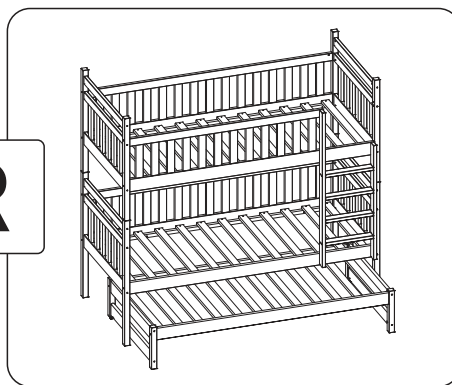
20.



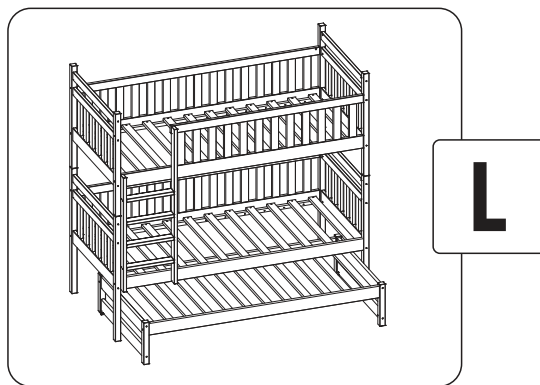
21.



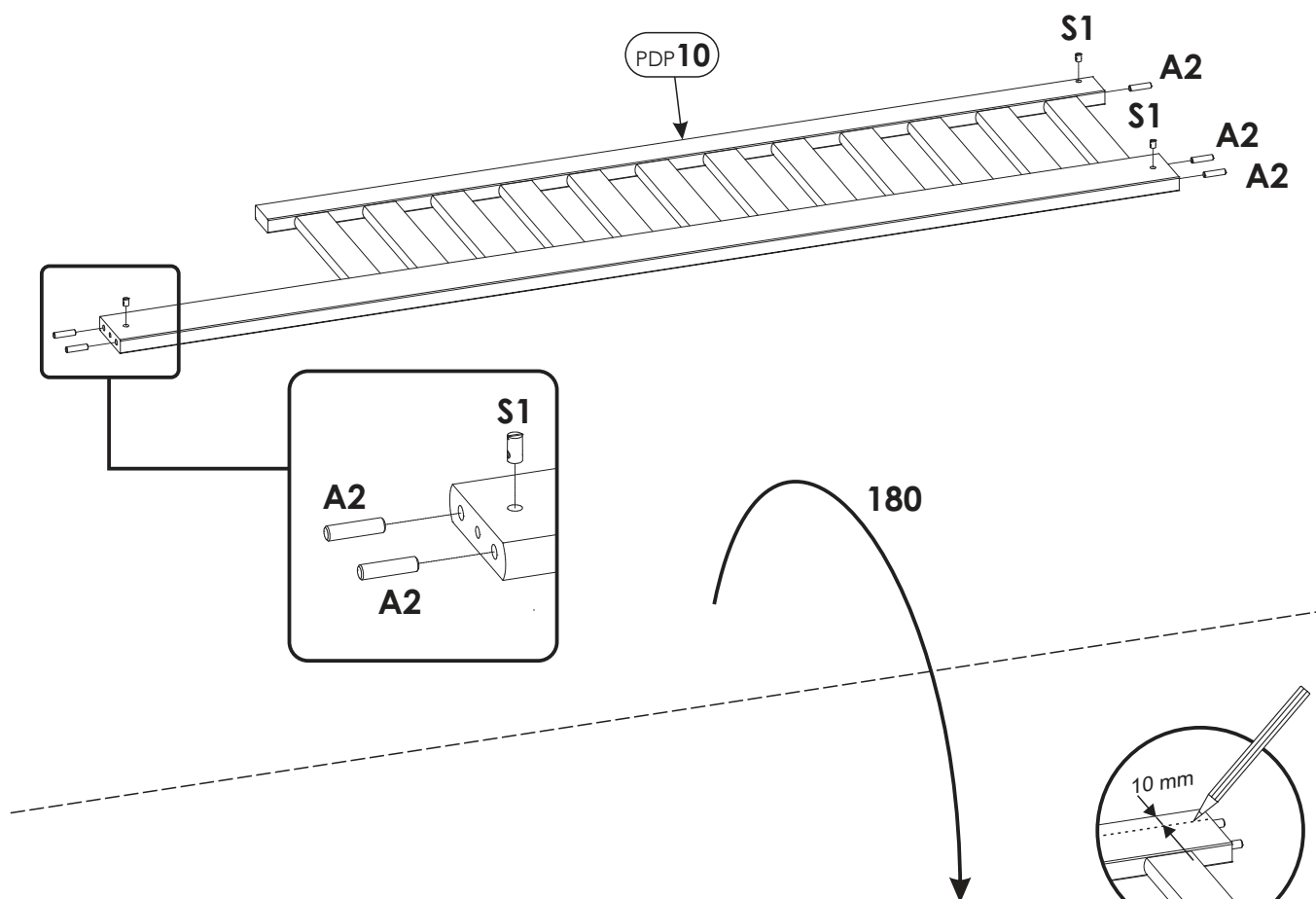
R



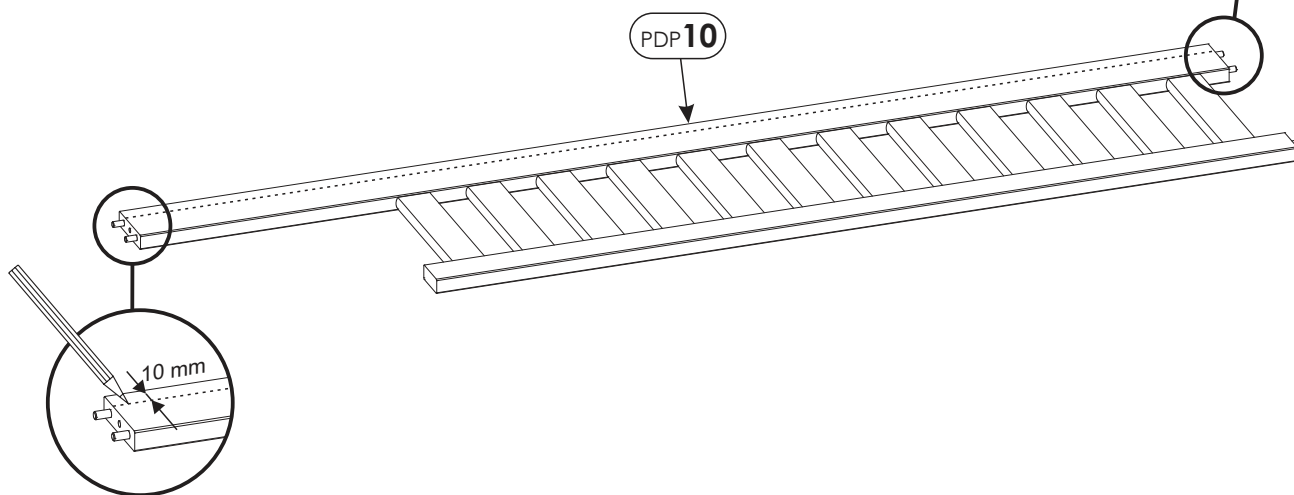
# 22.



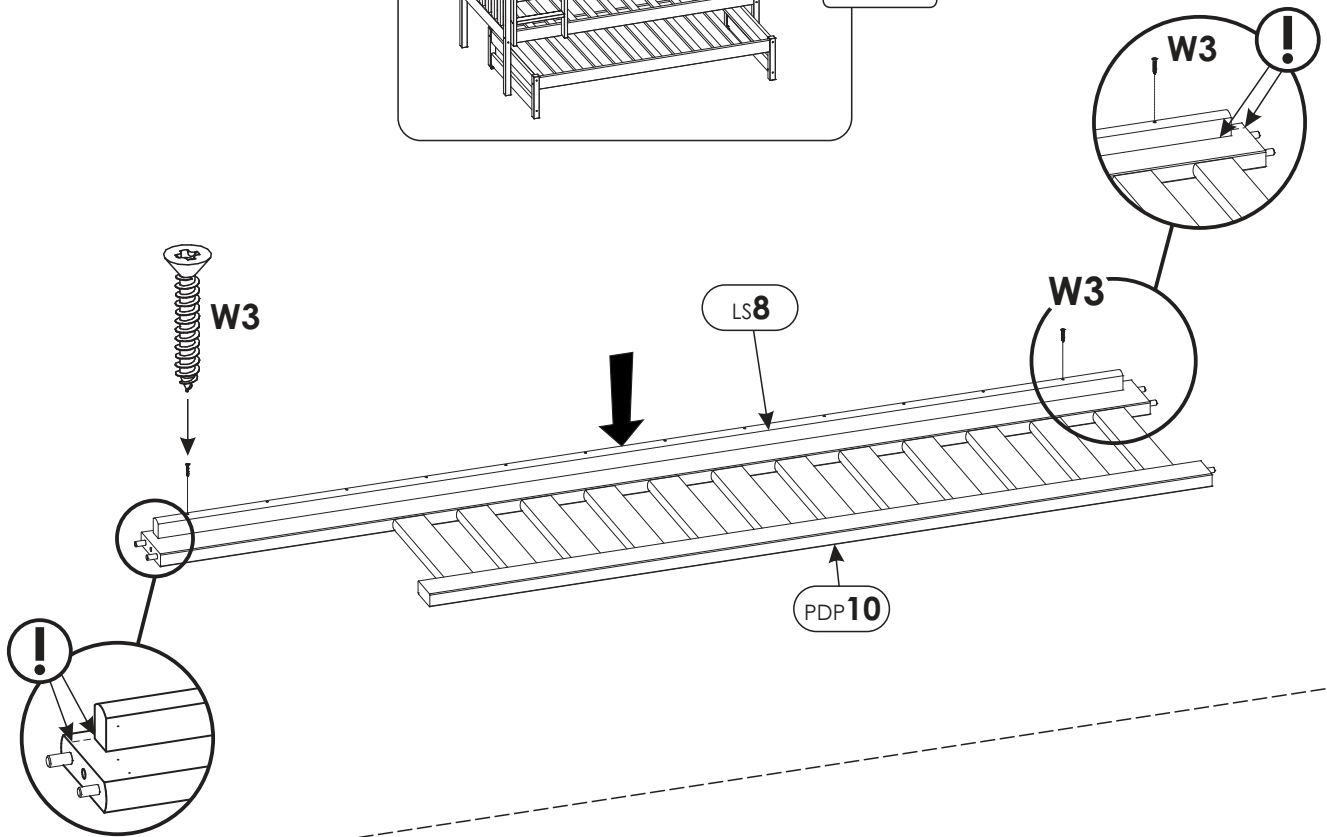
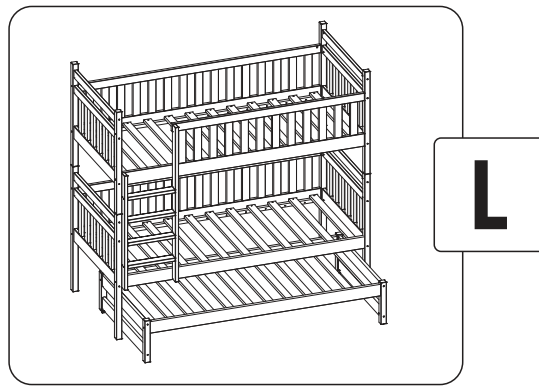
## 22.1



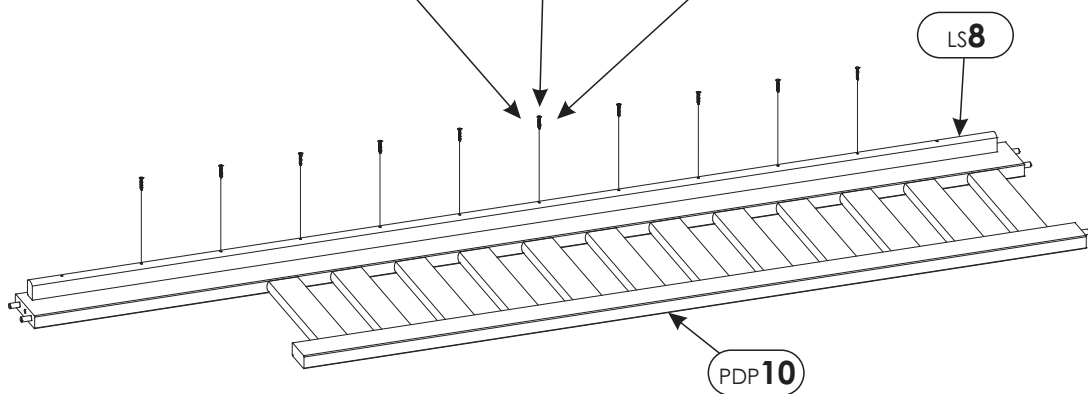
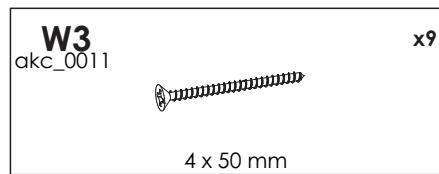
## 22.2



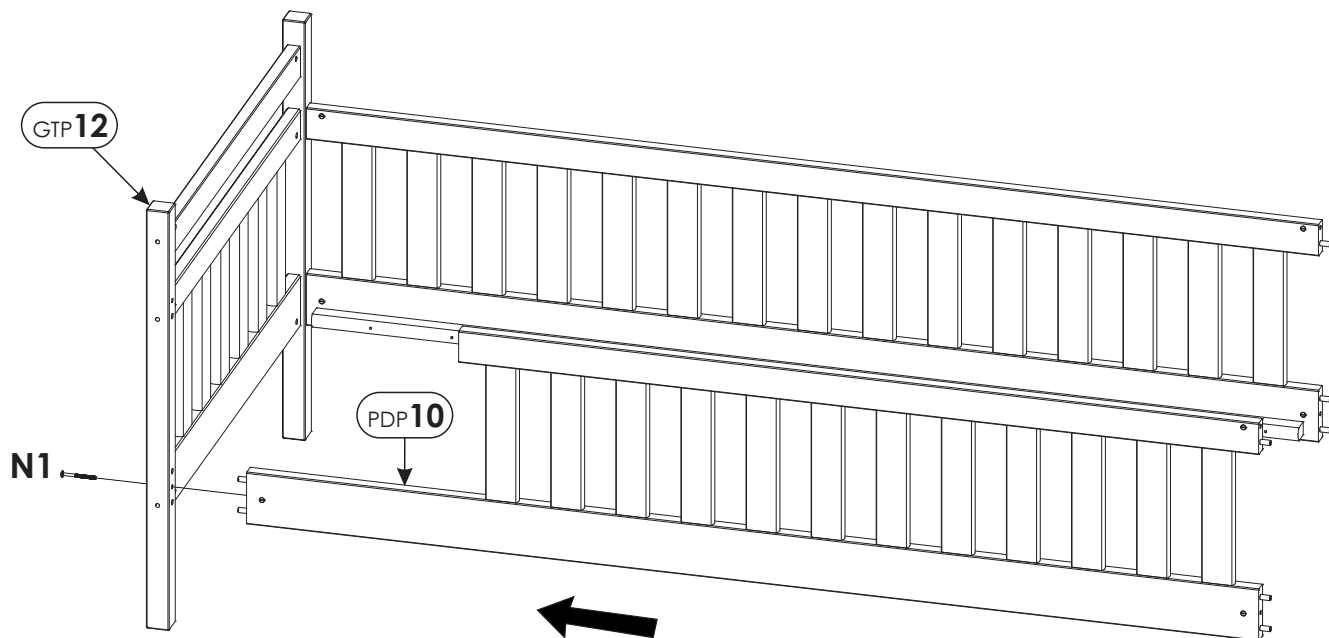
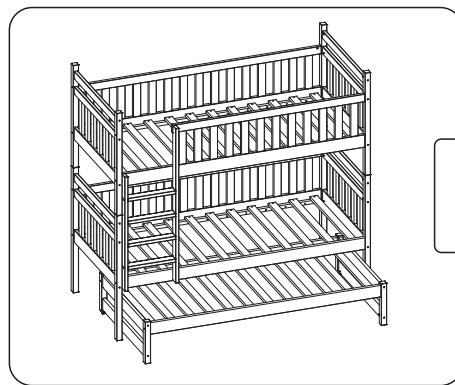
## 22.3



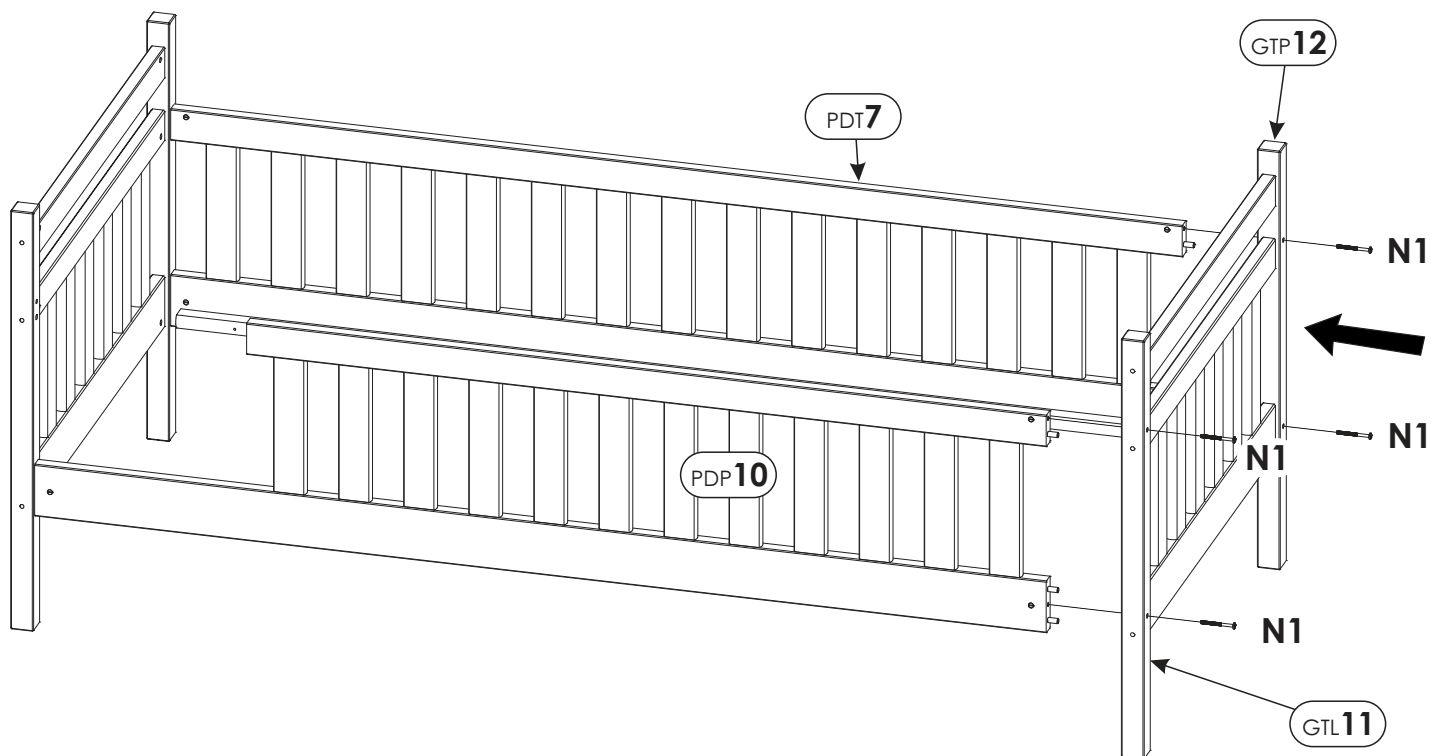
## 22.4



23.

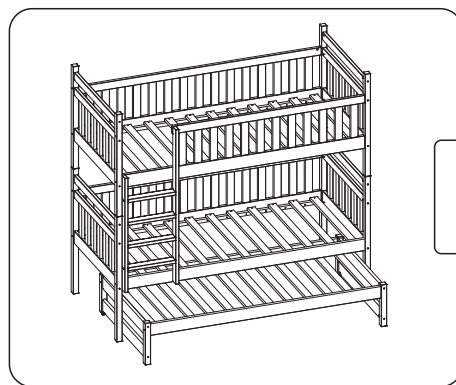


24.

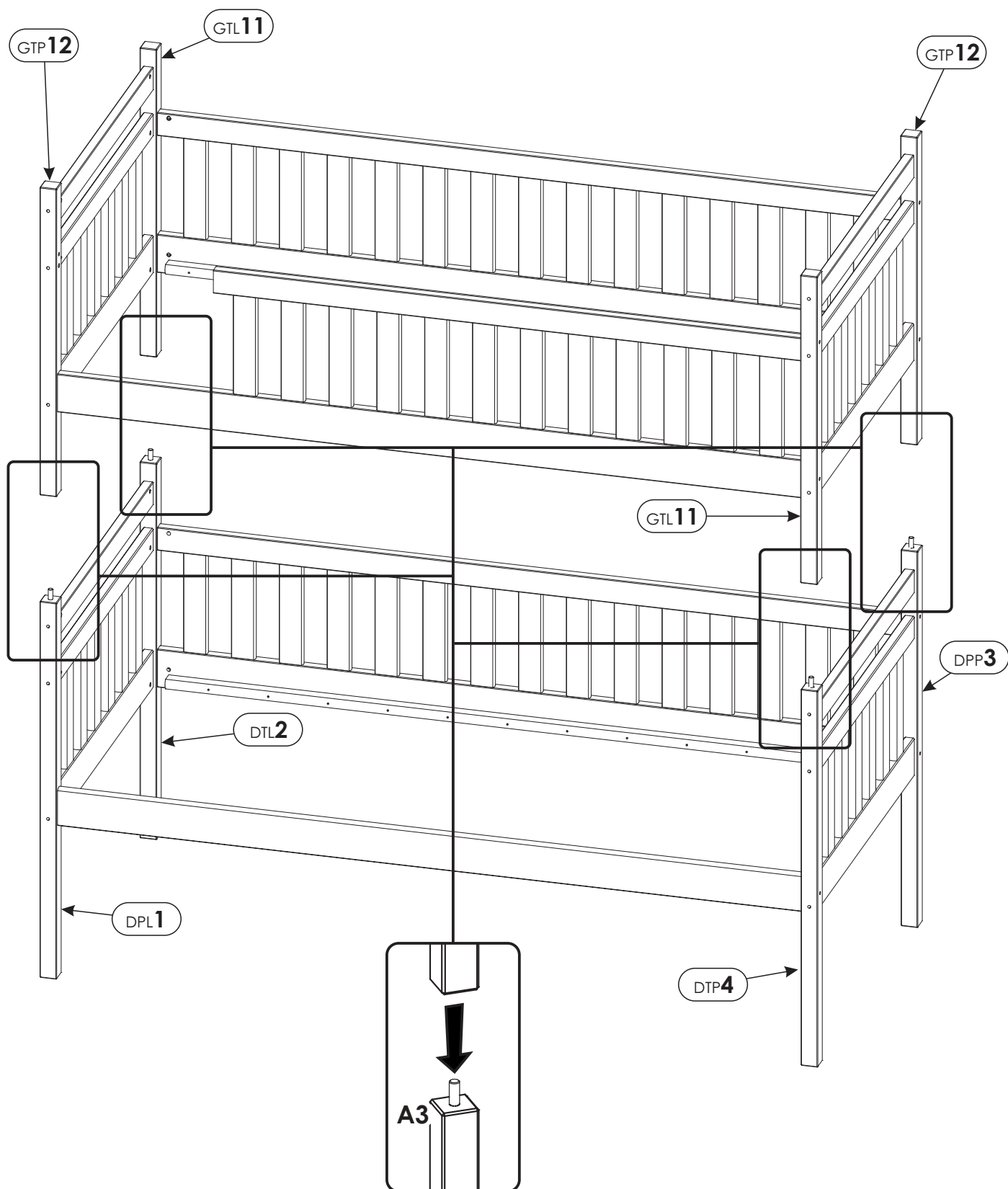




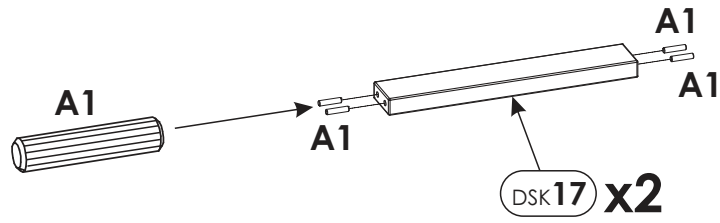
25.



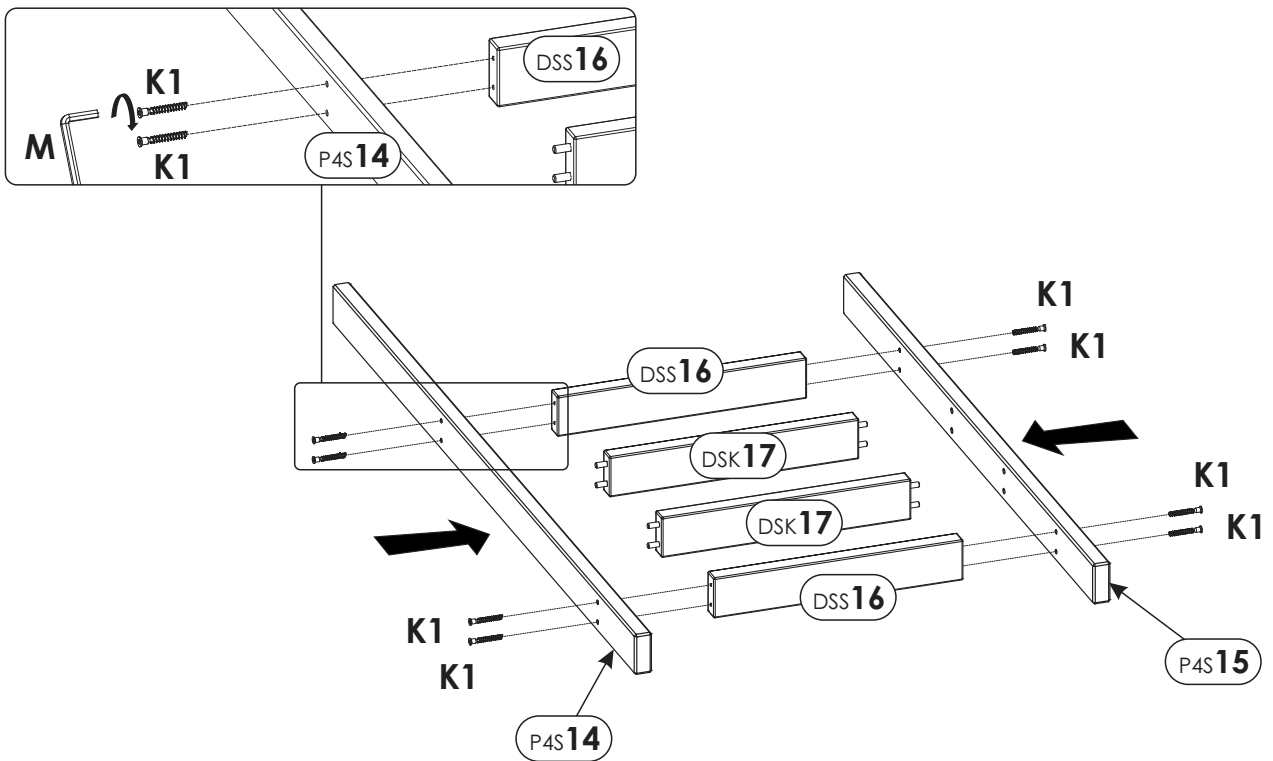
L



# 26.

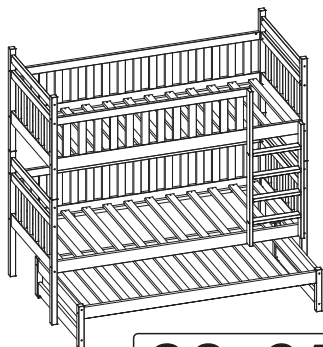


# 27.



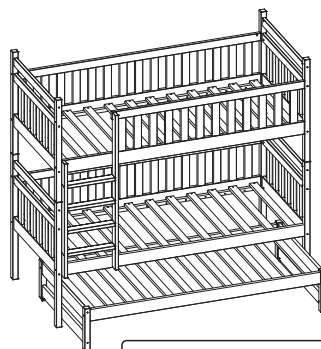
28.

R

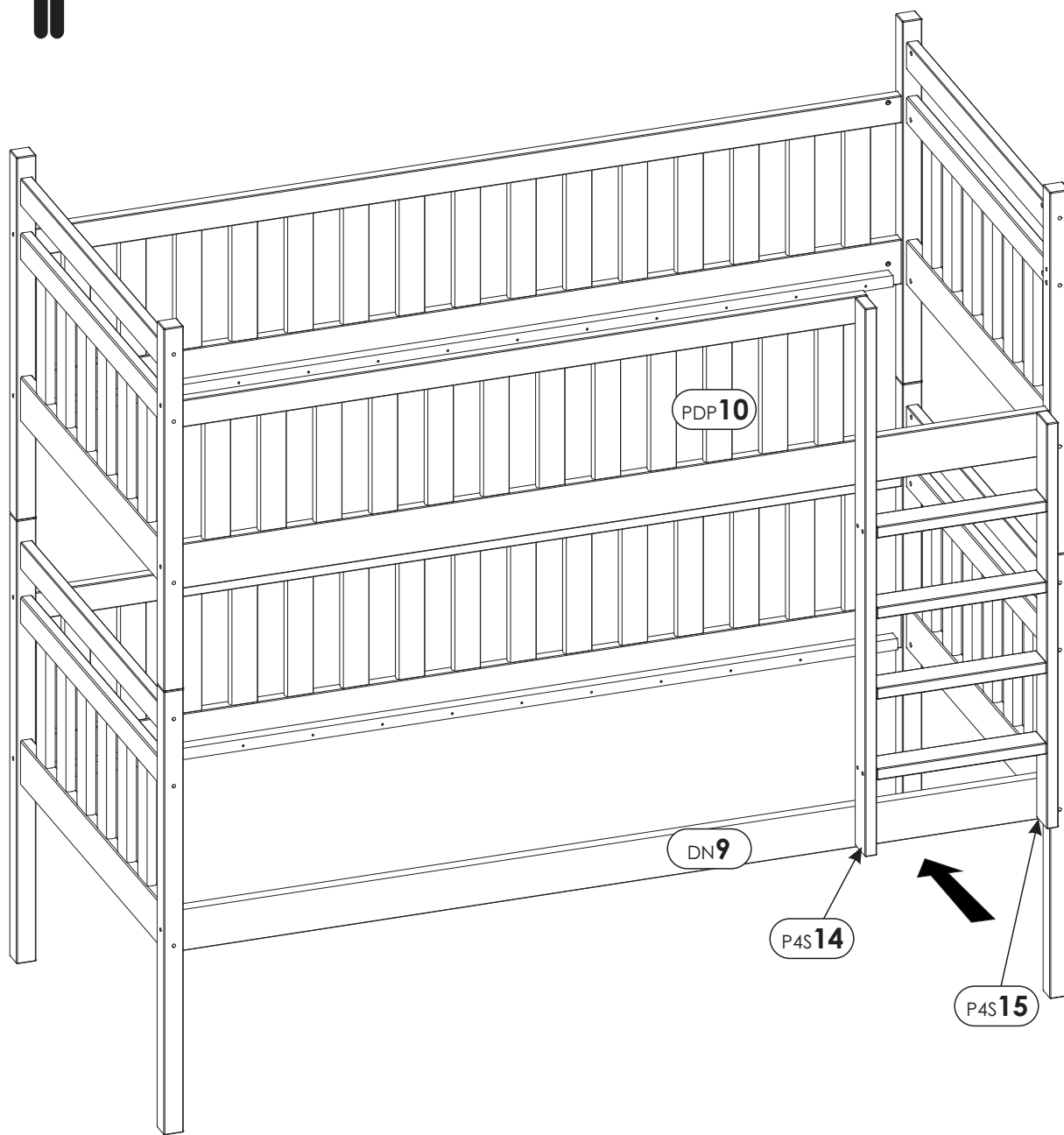


28-31

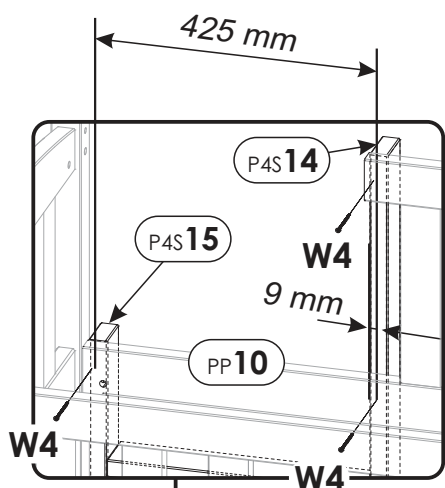
L



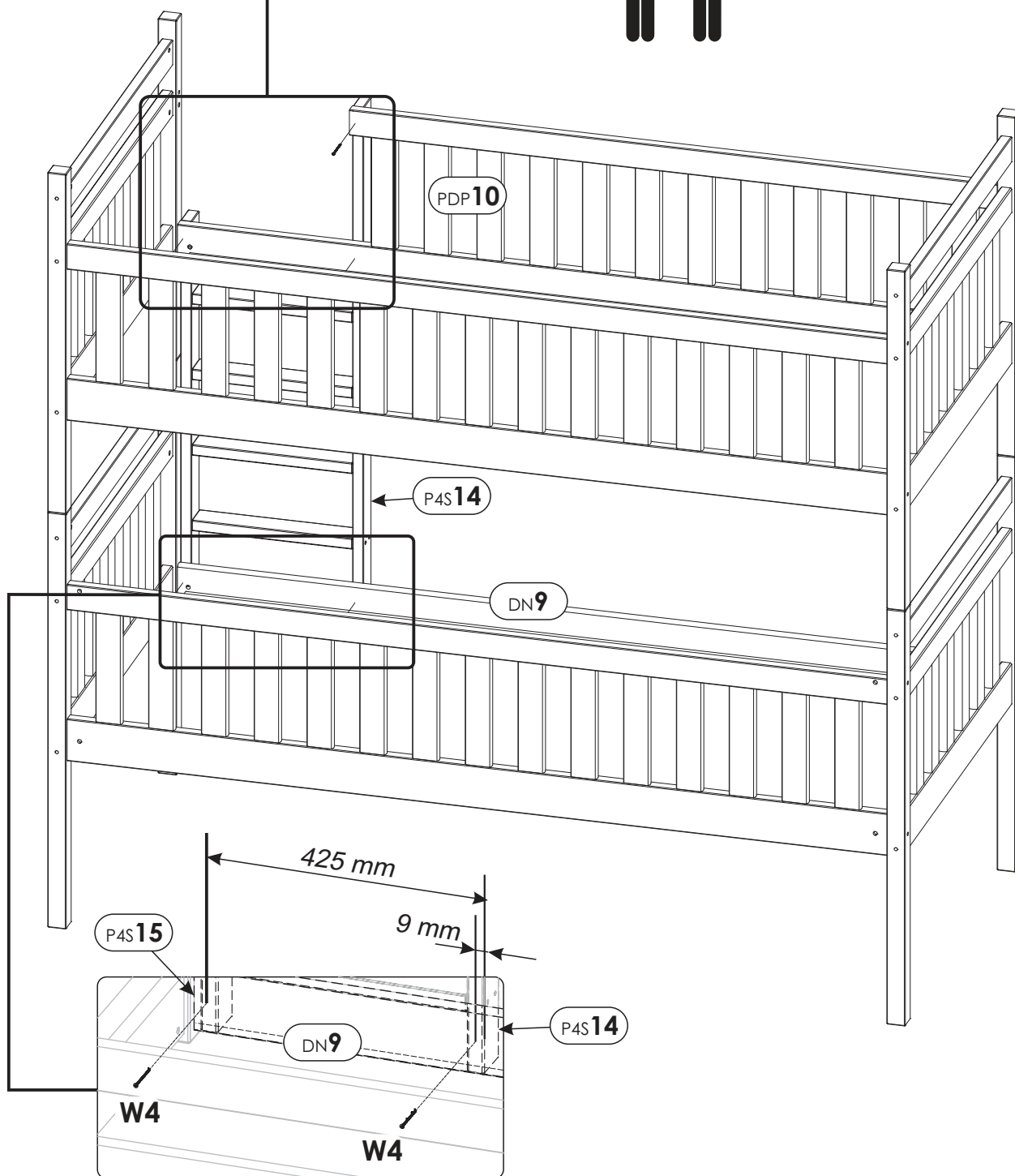
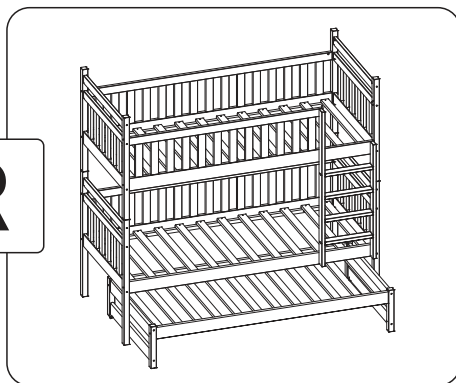
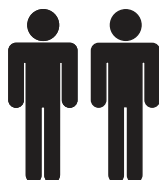
32-35



# 29.

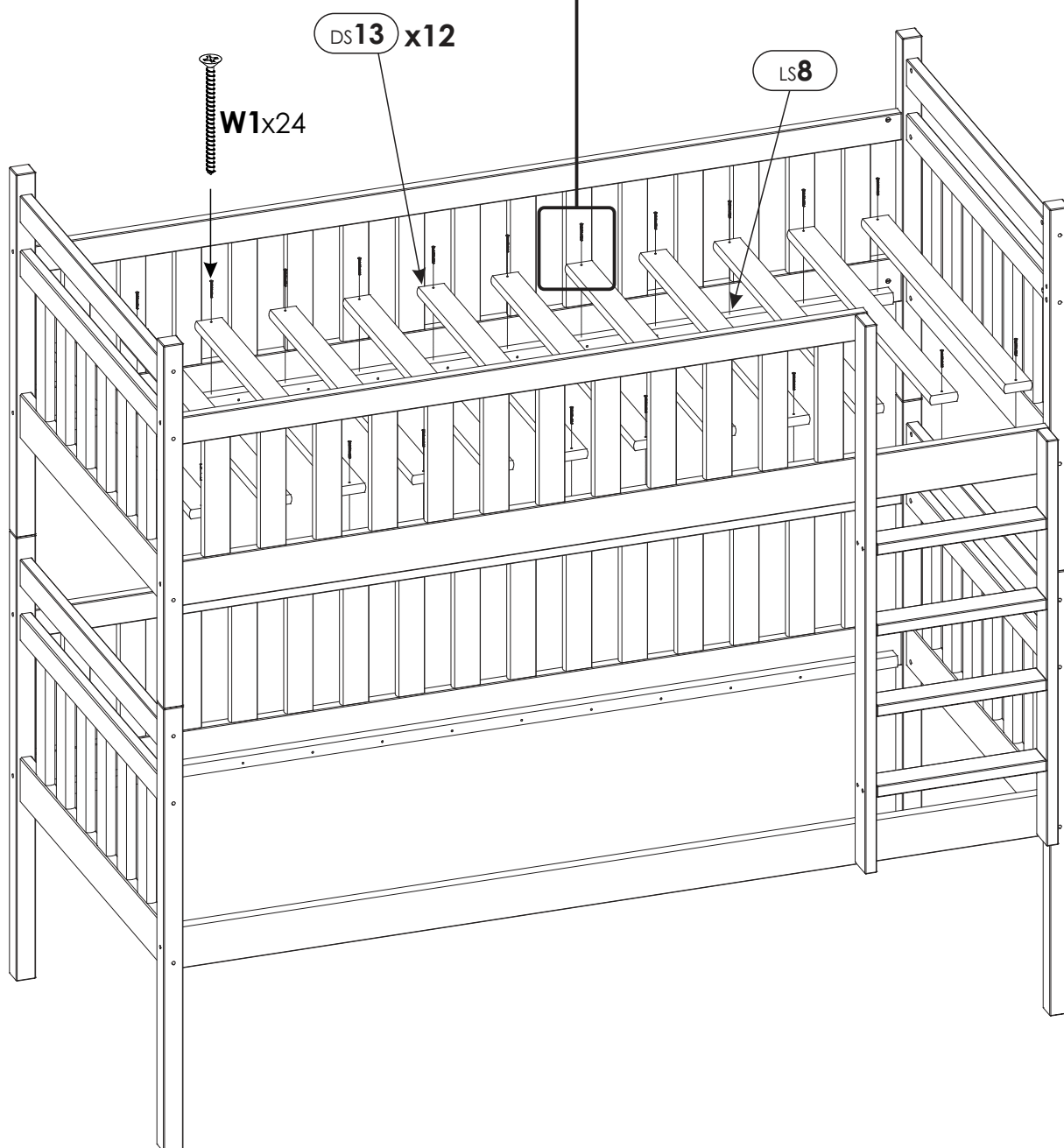
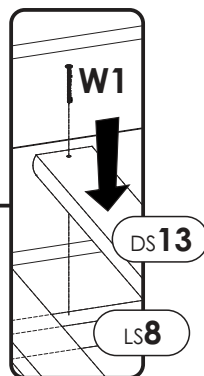
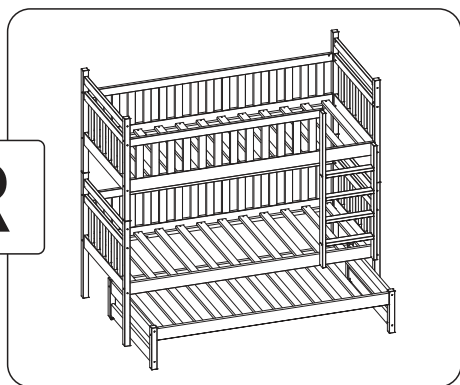


R



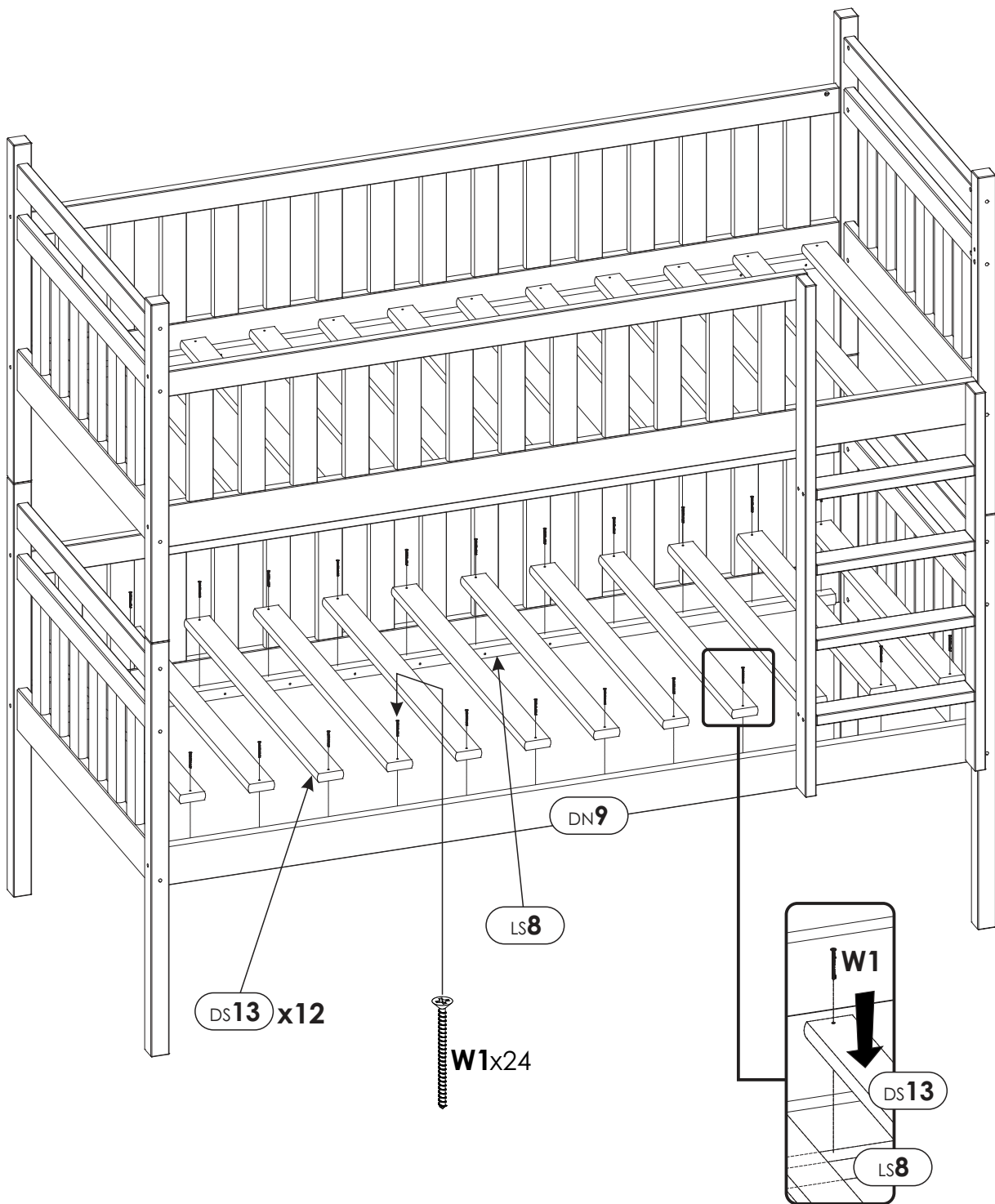
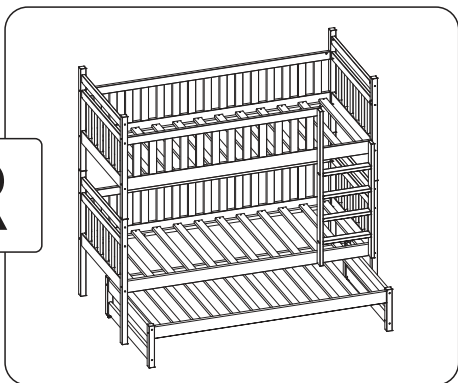
30.

R

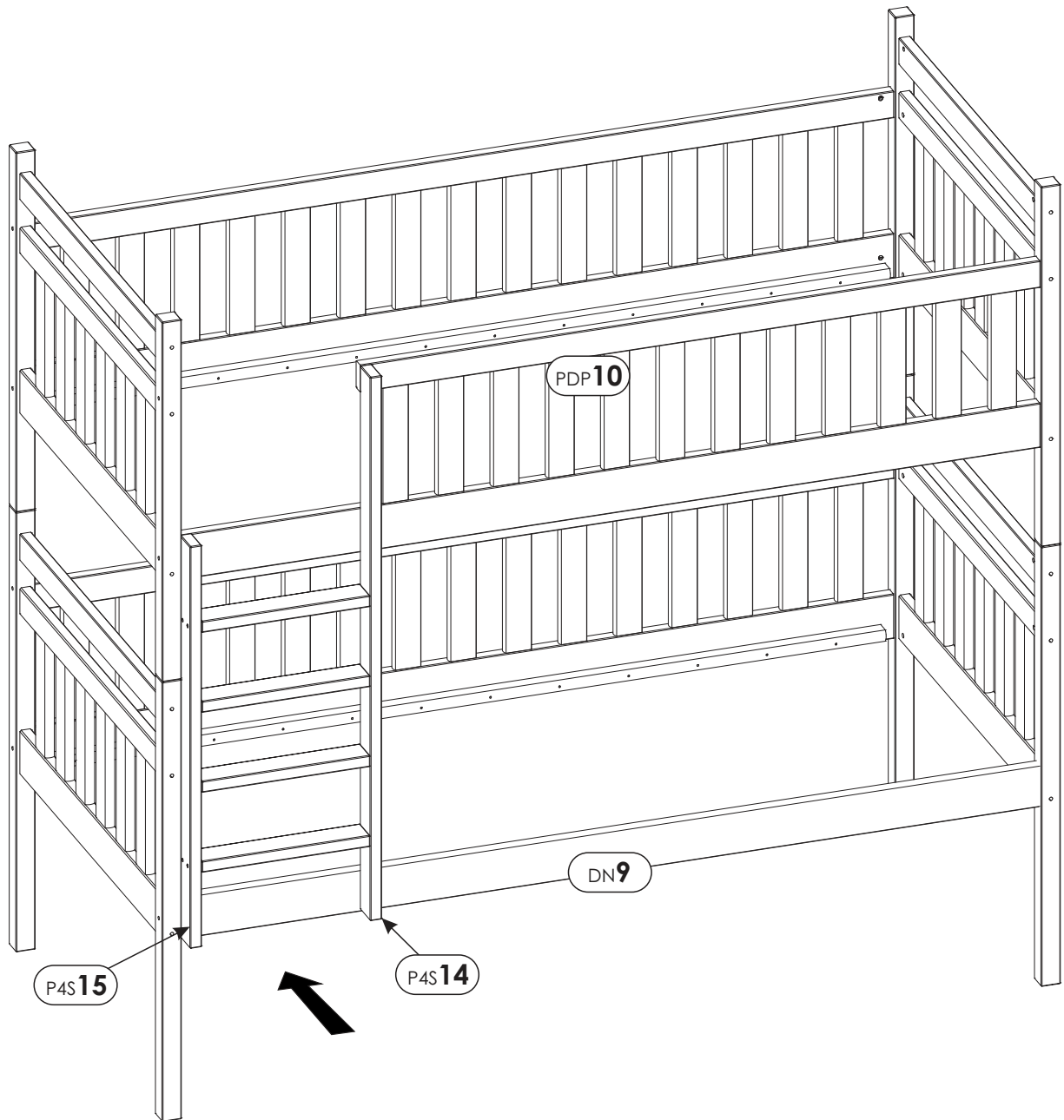
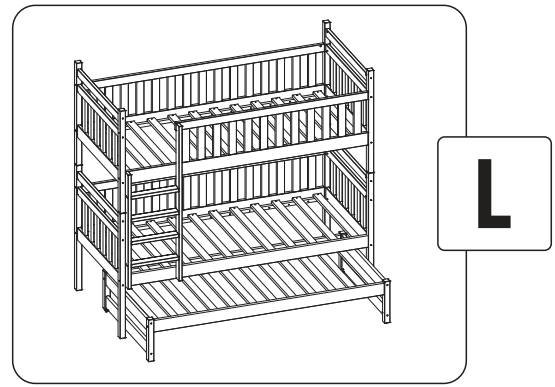


# 31.

## R



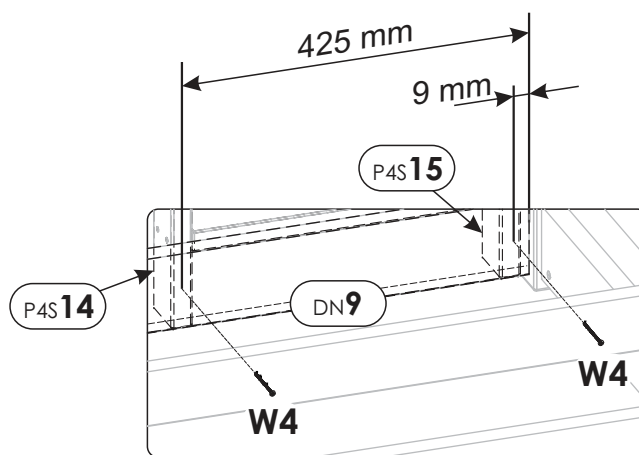
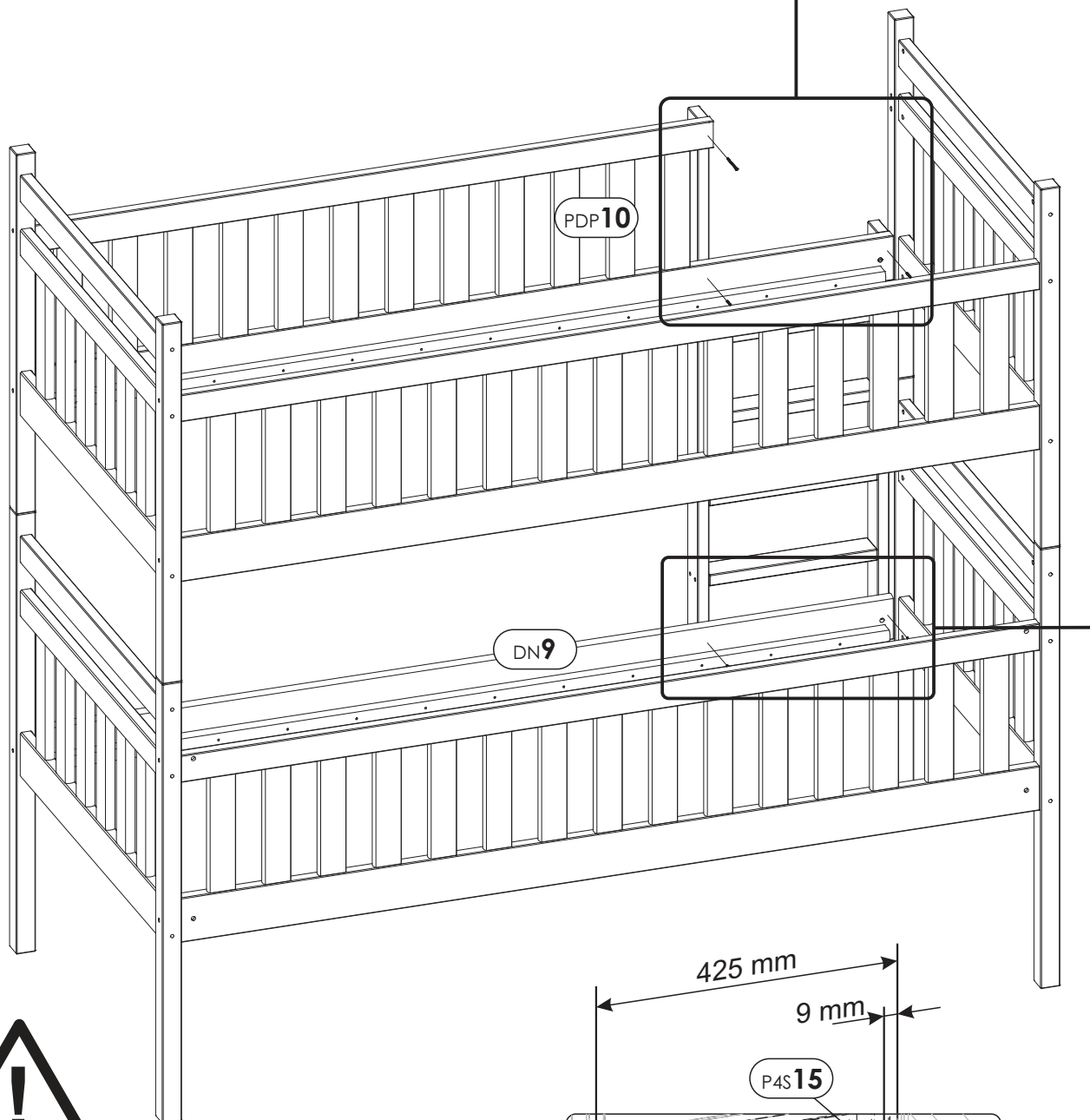
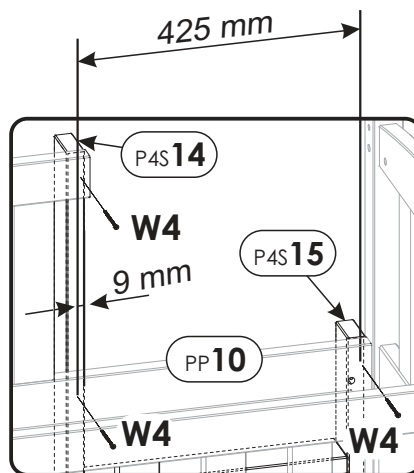
32.



# 33.

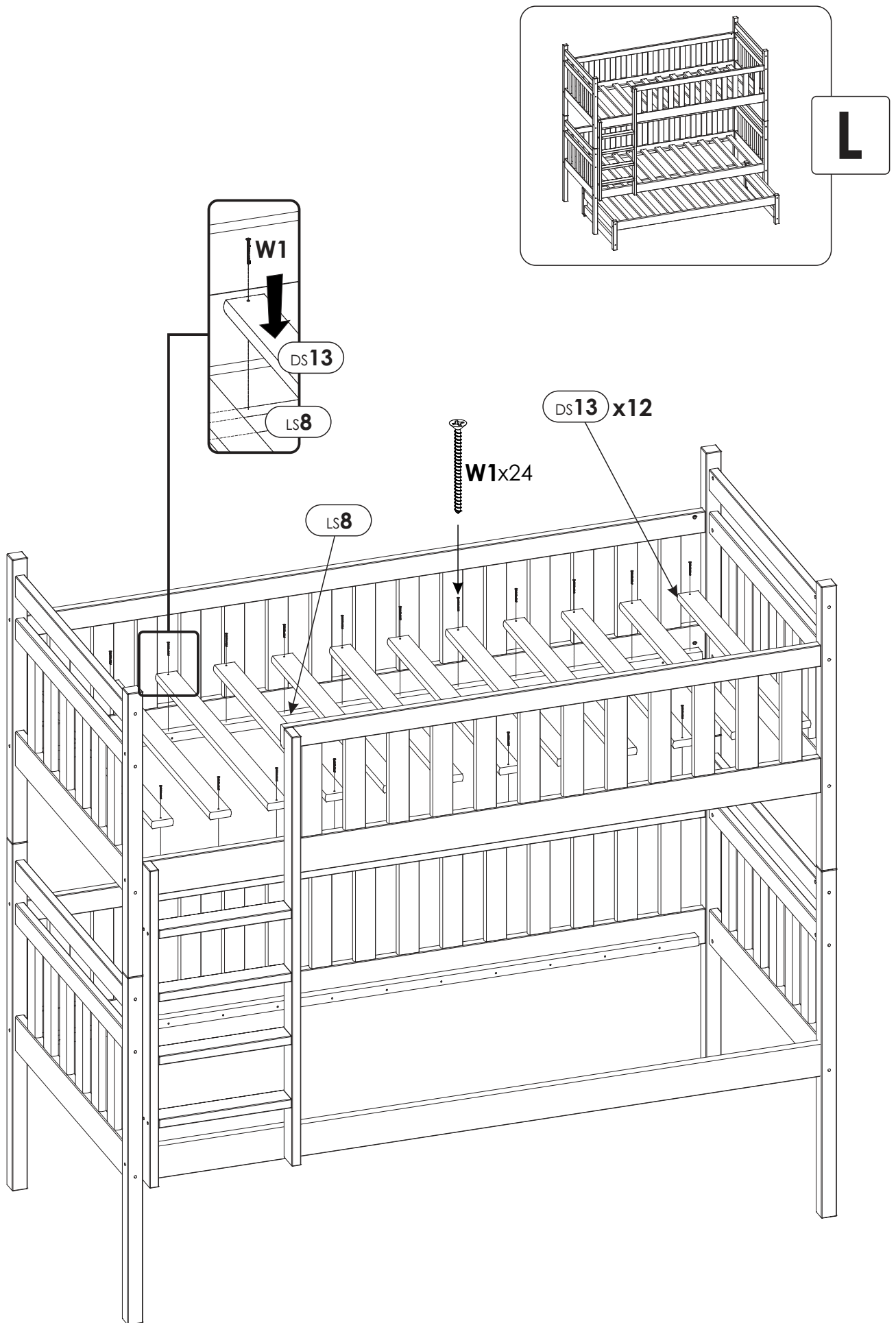


# L

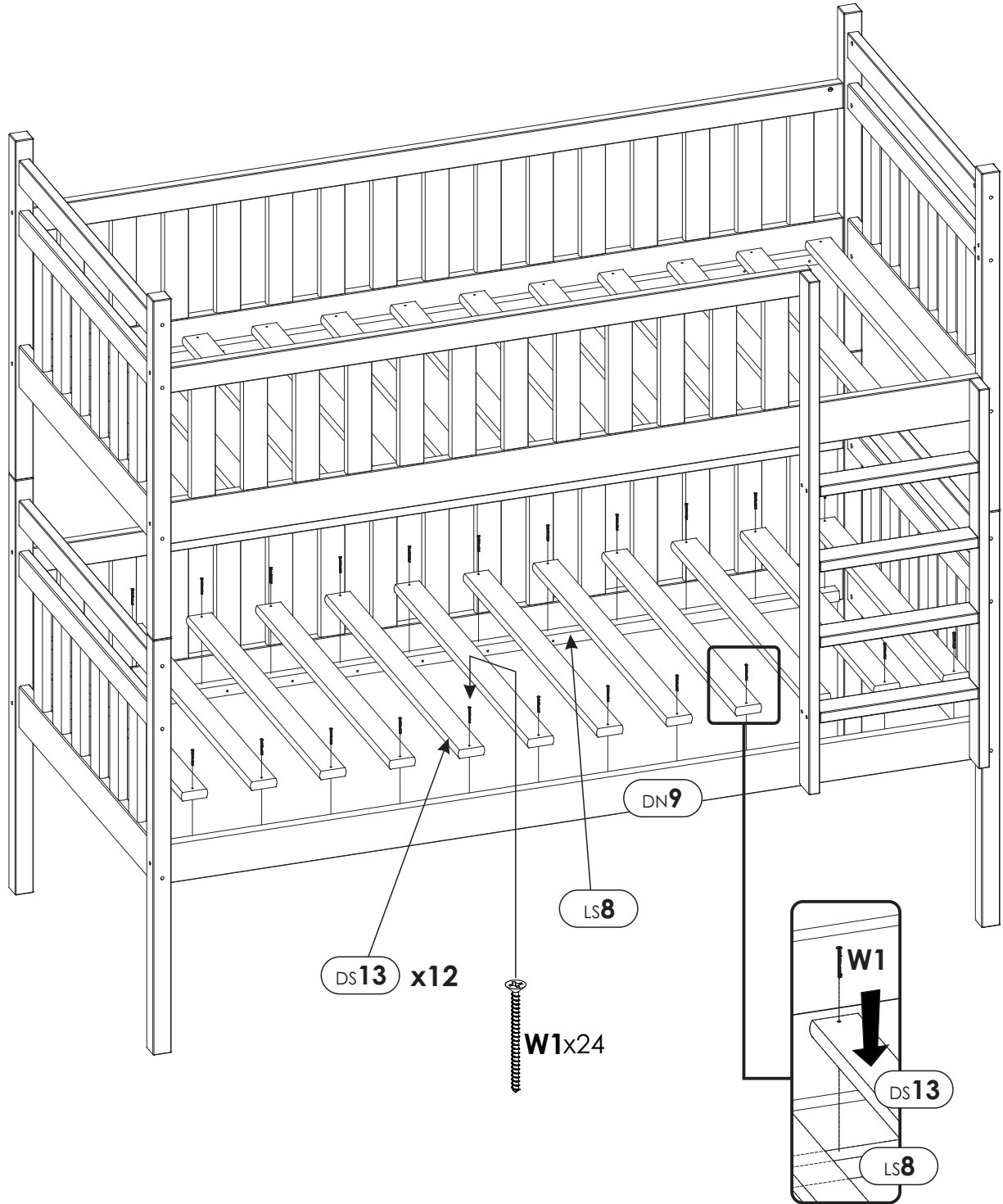
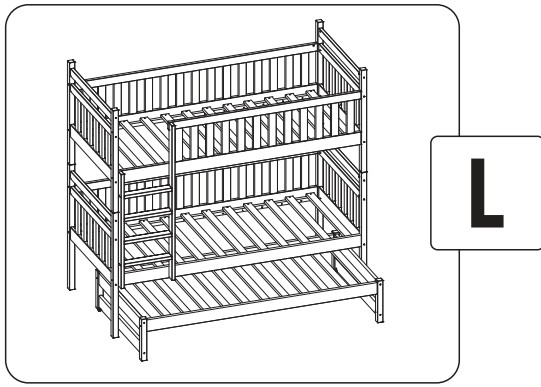




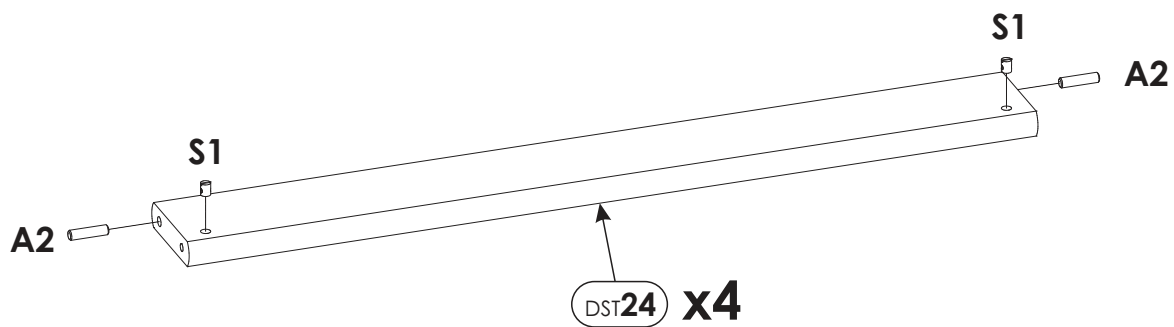
34.



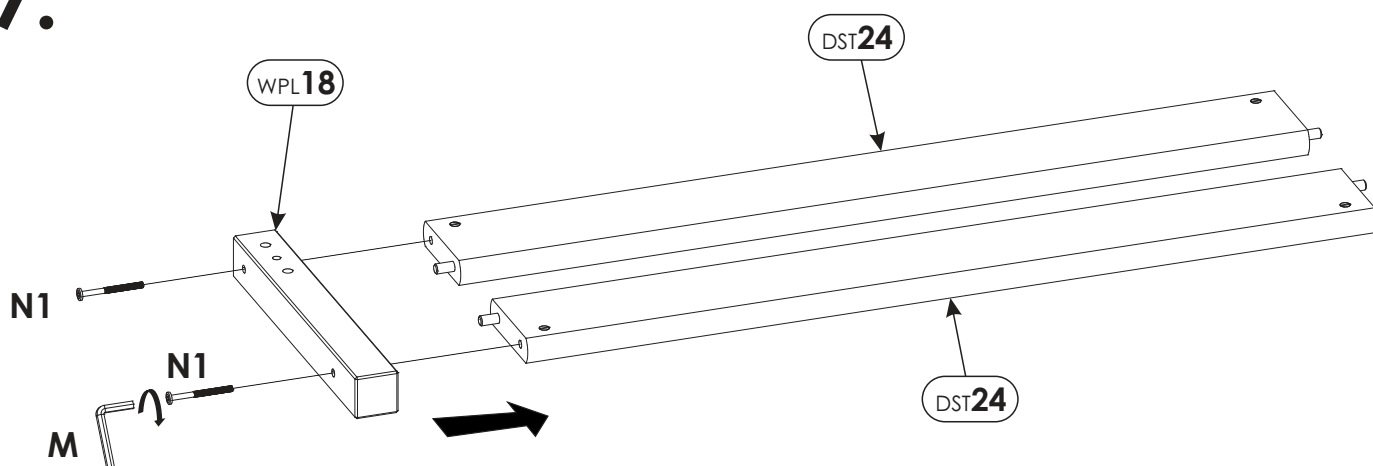
35.



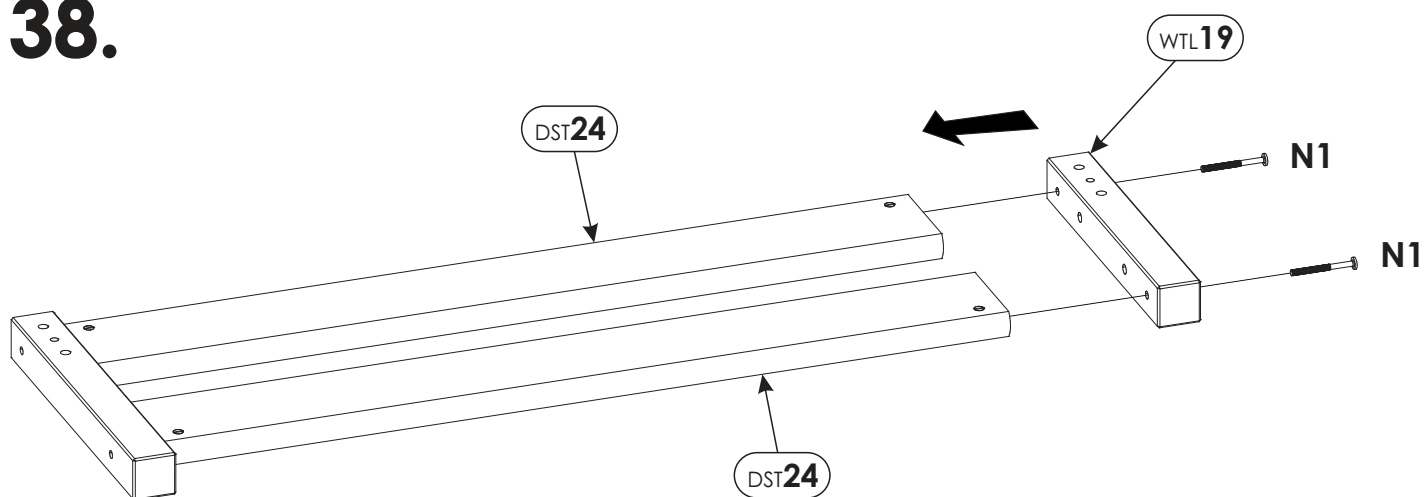
# 36.



# 37.

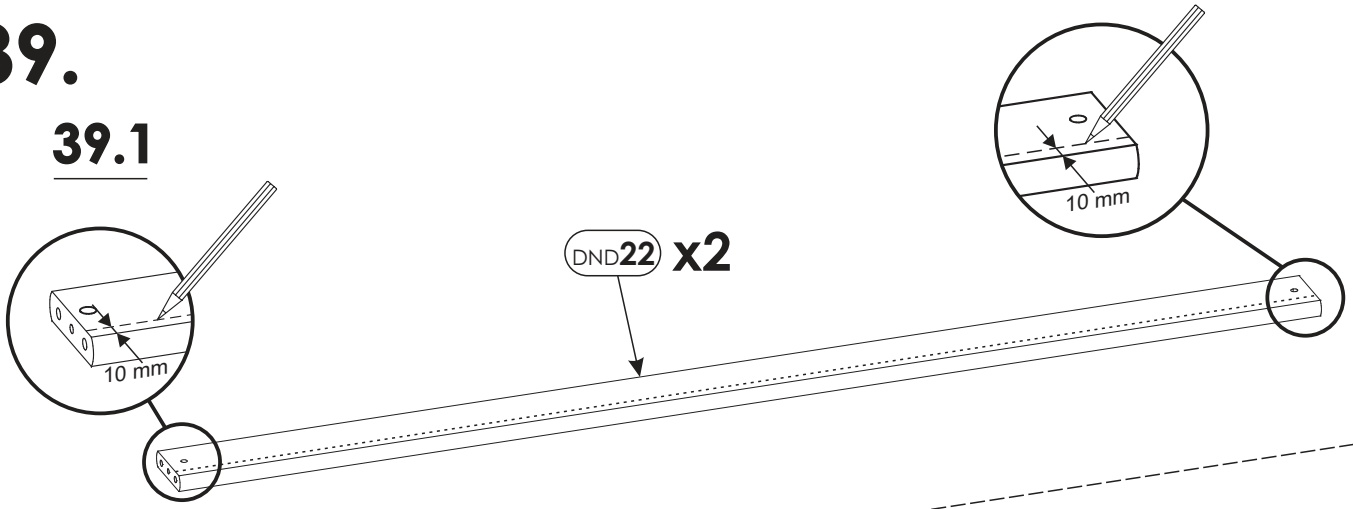


# 38.

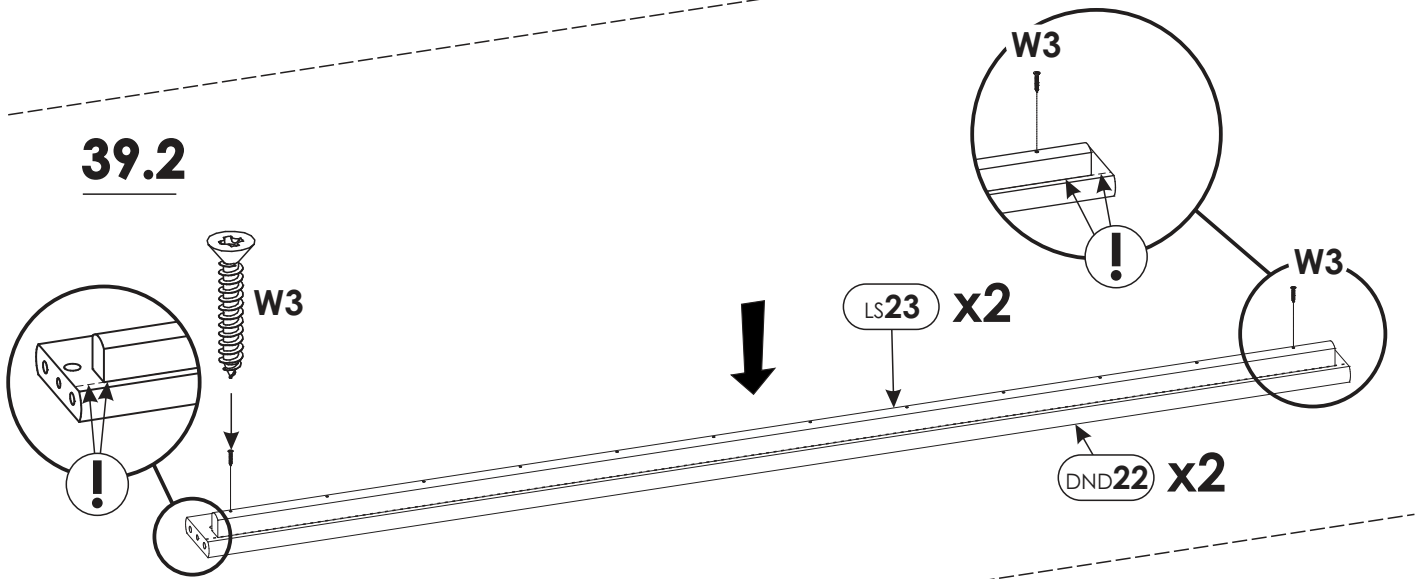


# 39.

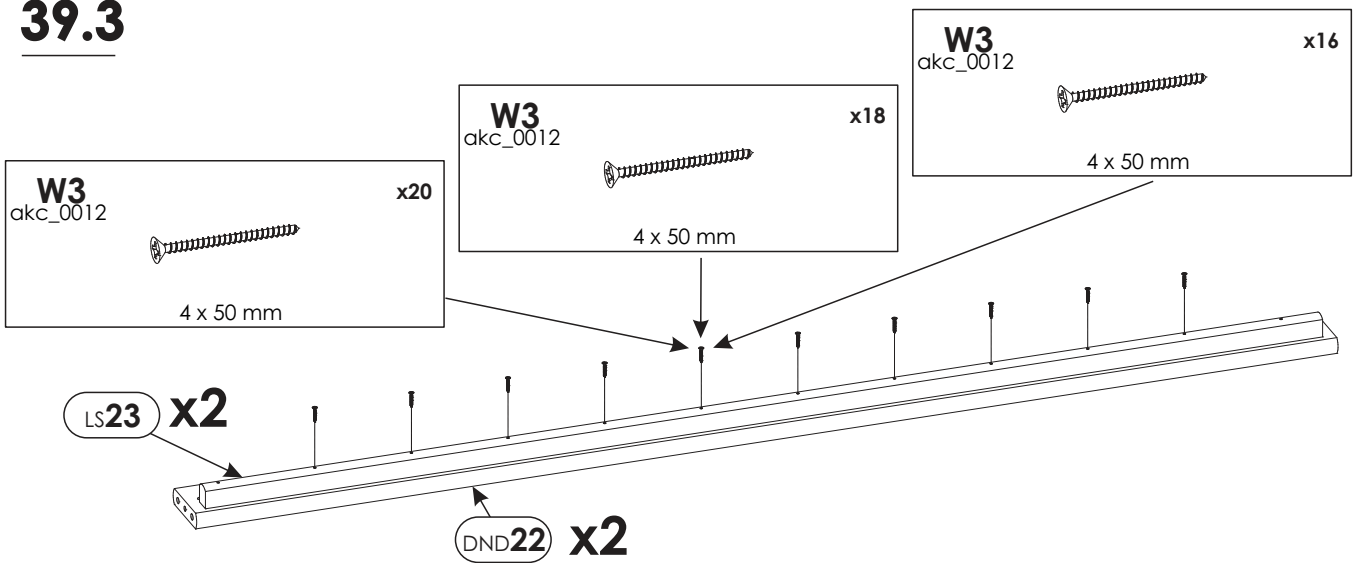
## 39.1



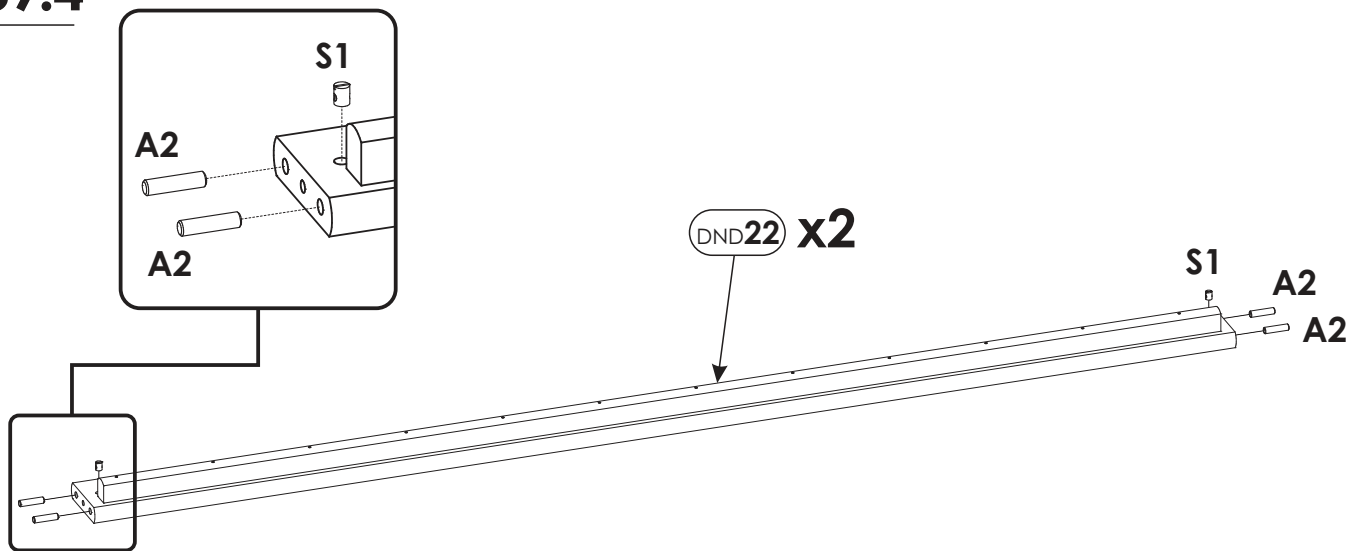
## 39.2



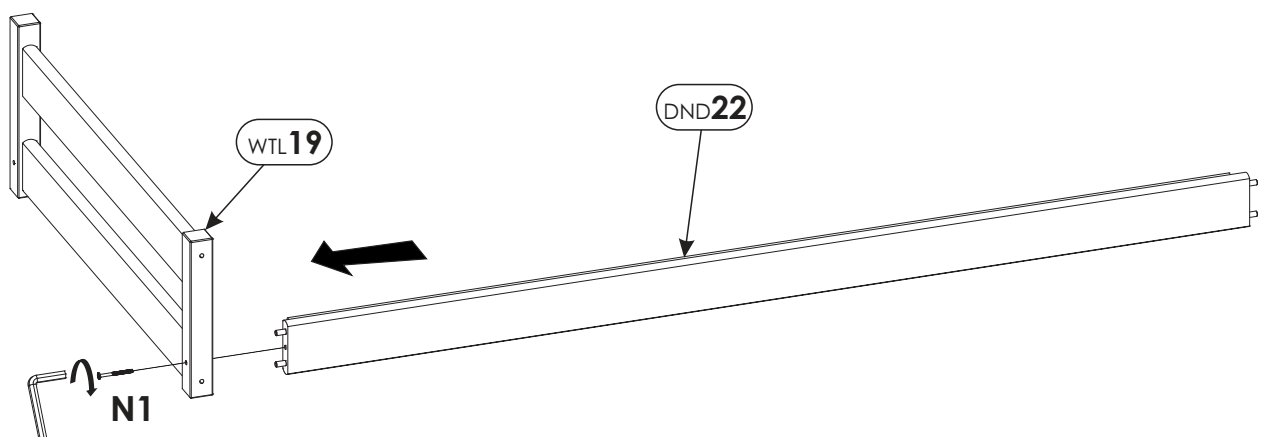
## 39.3



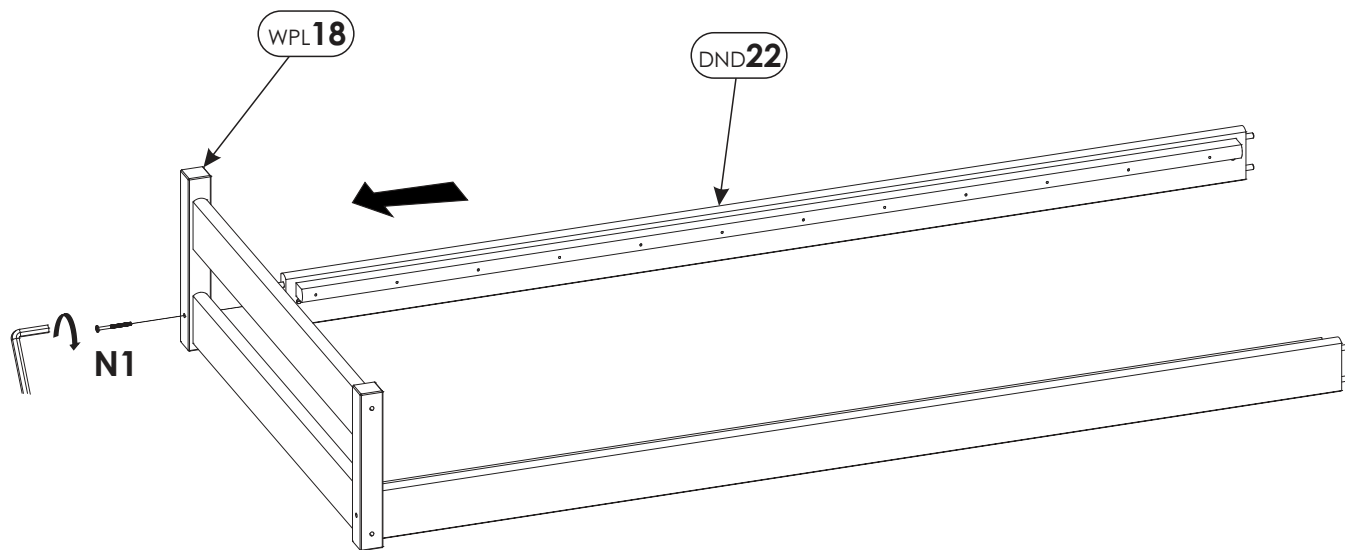
# 39.4



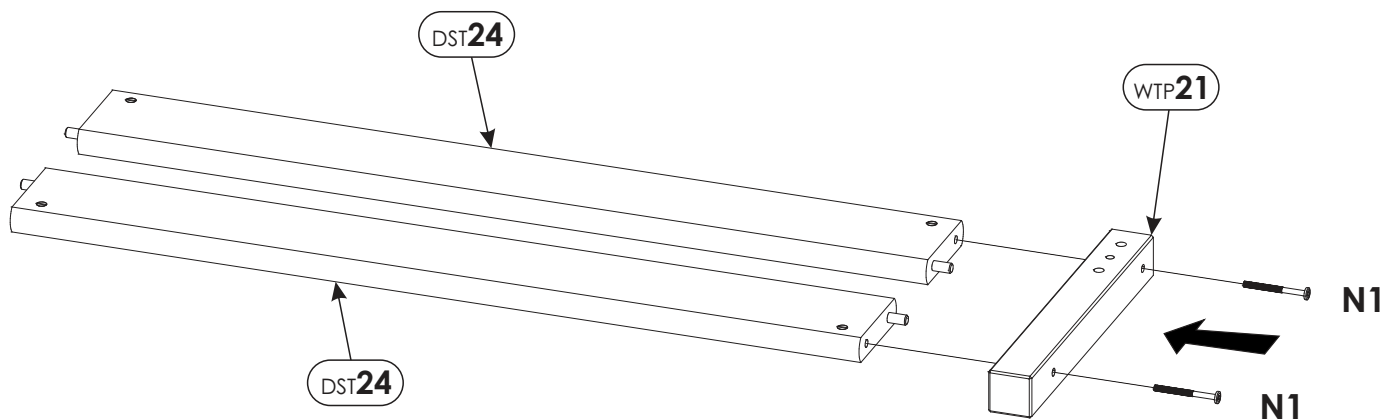
# 40.



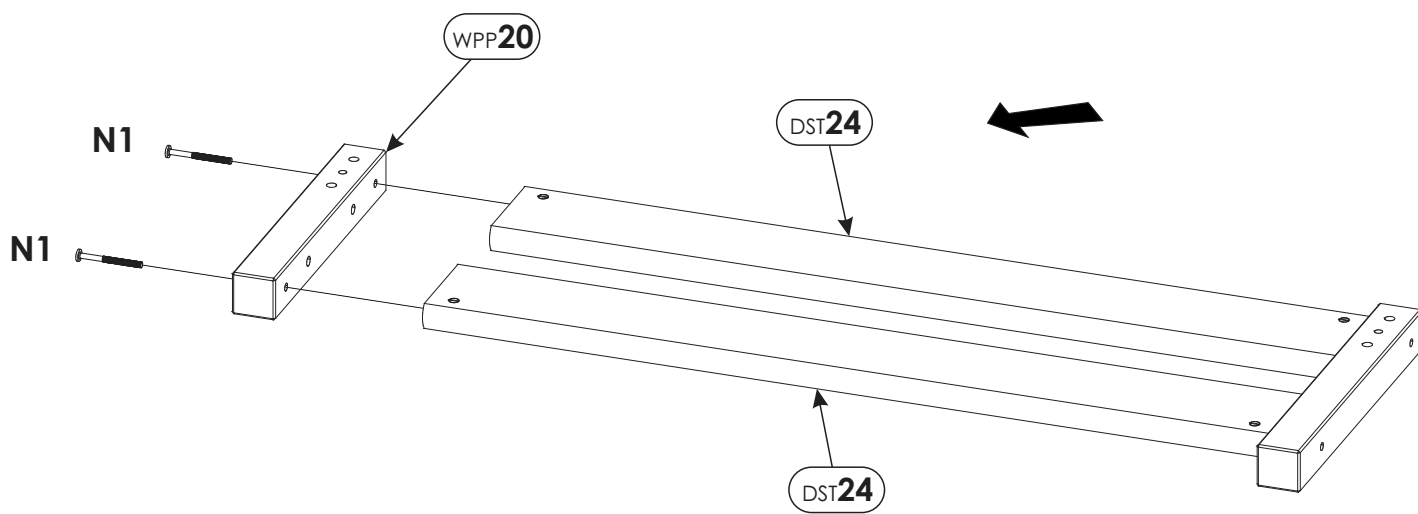
# 41.



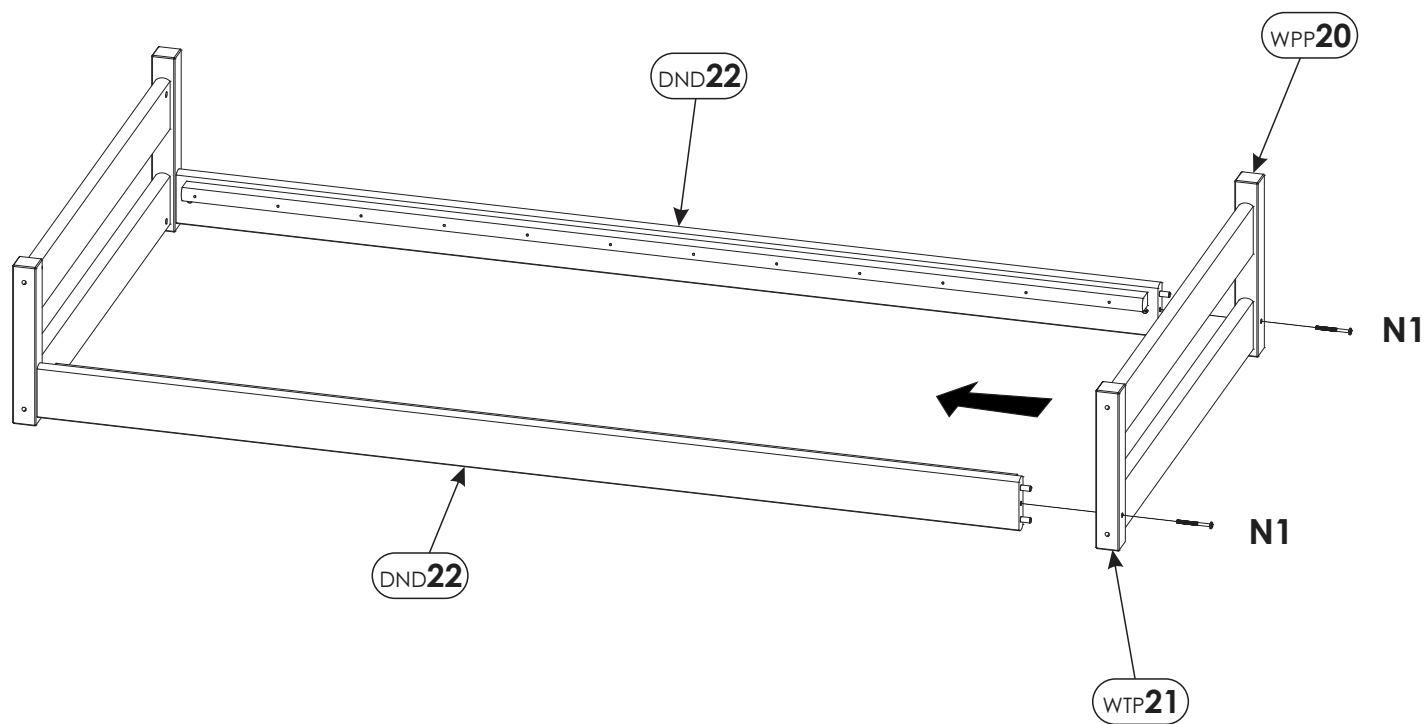
# 42.



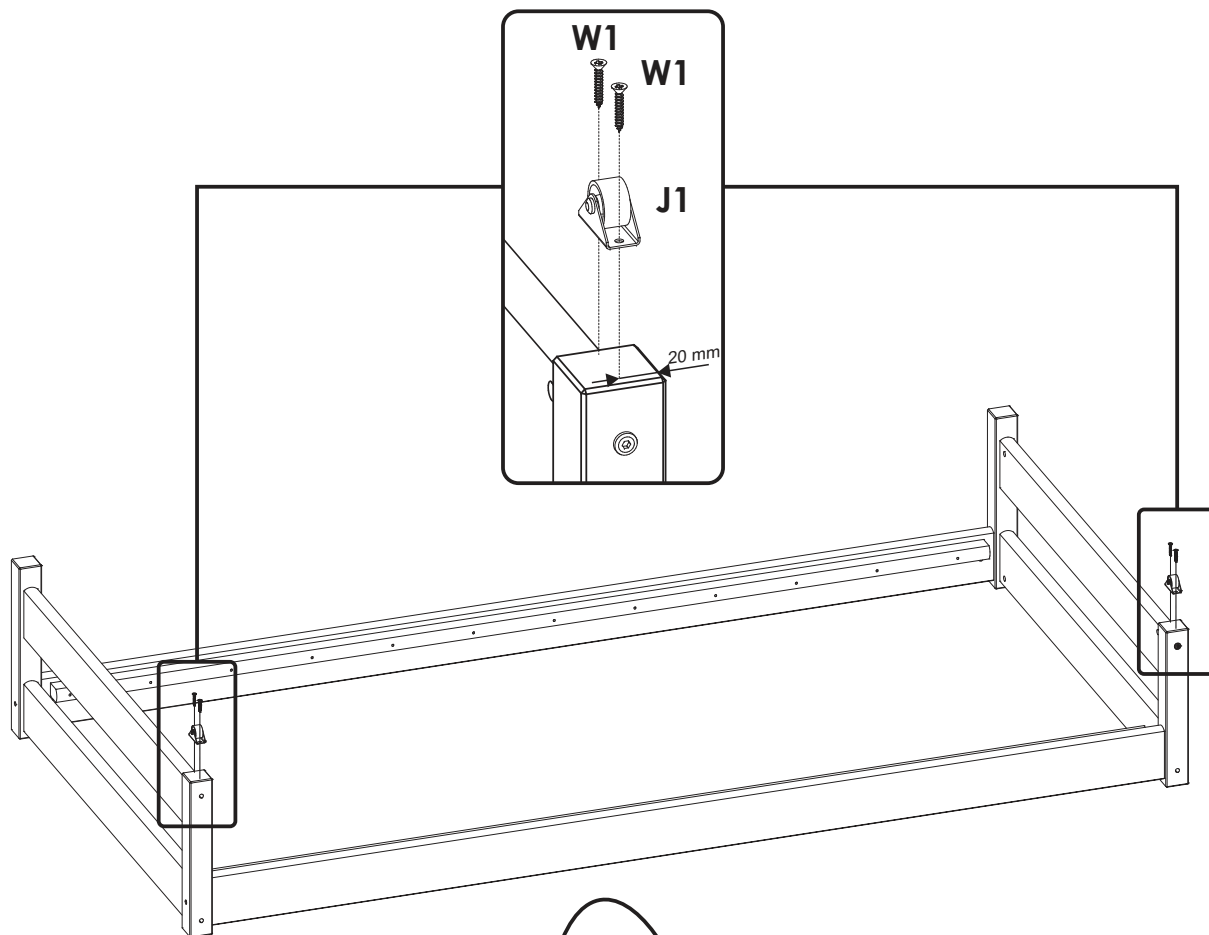
# 43.



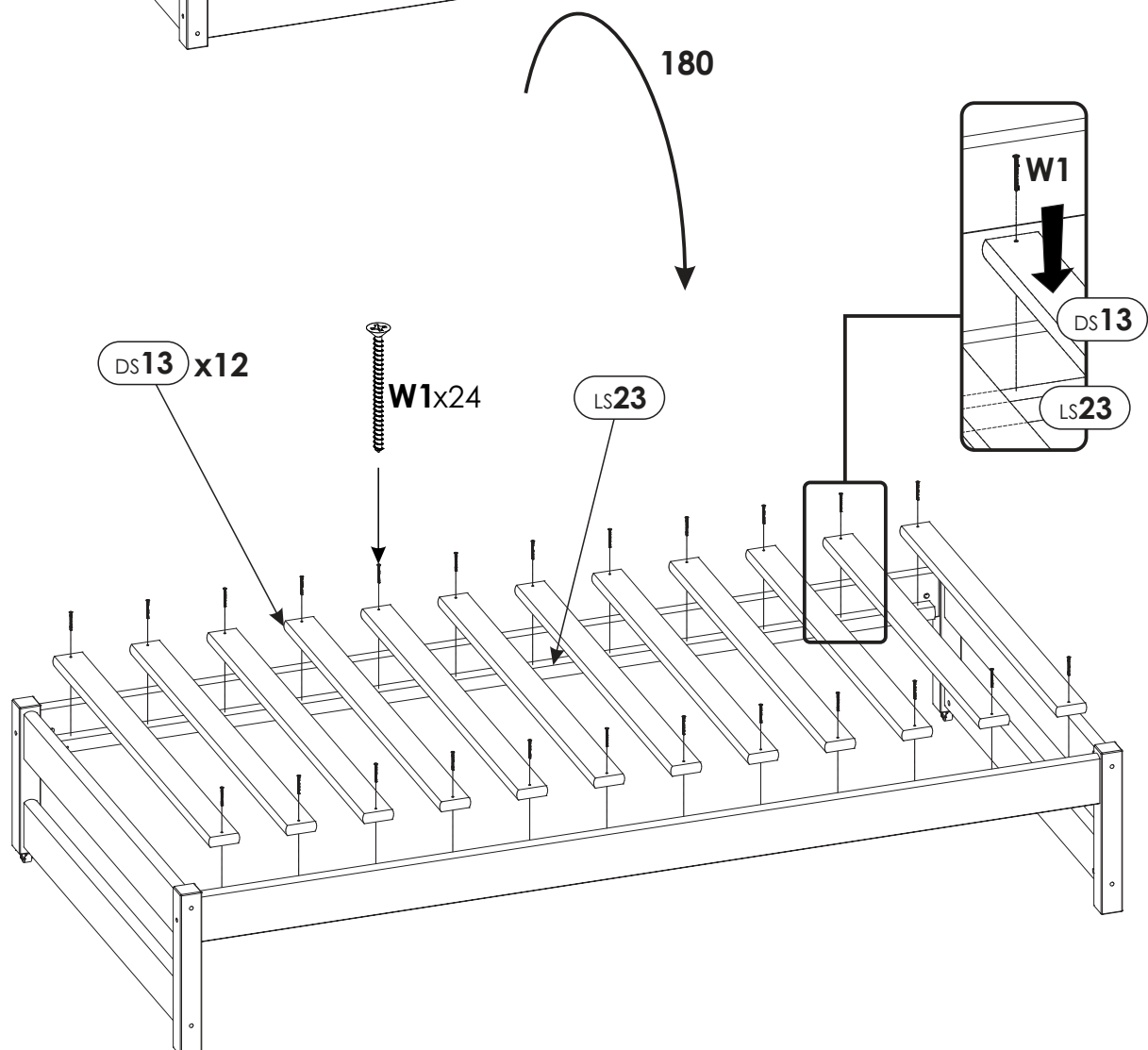
# 44.



45.

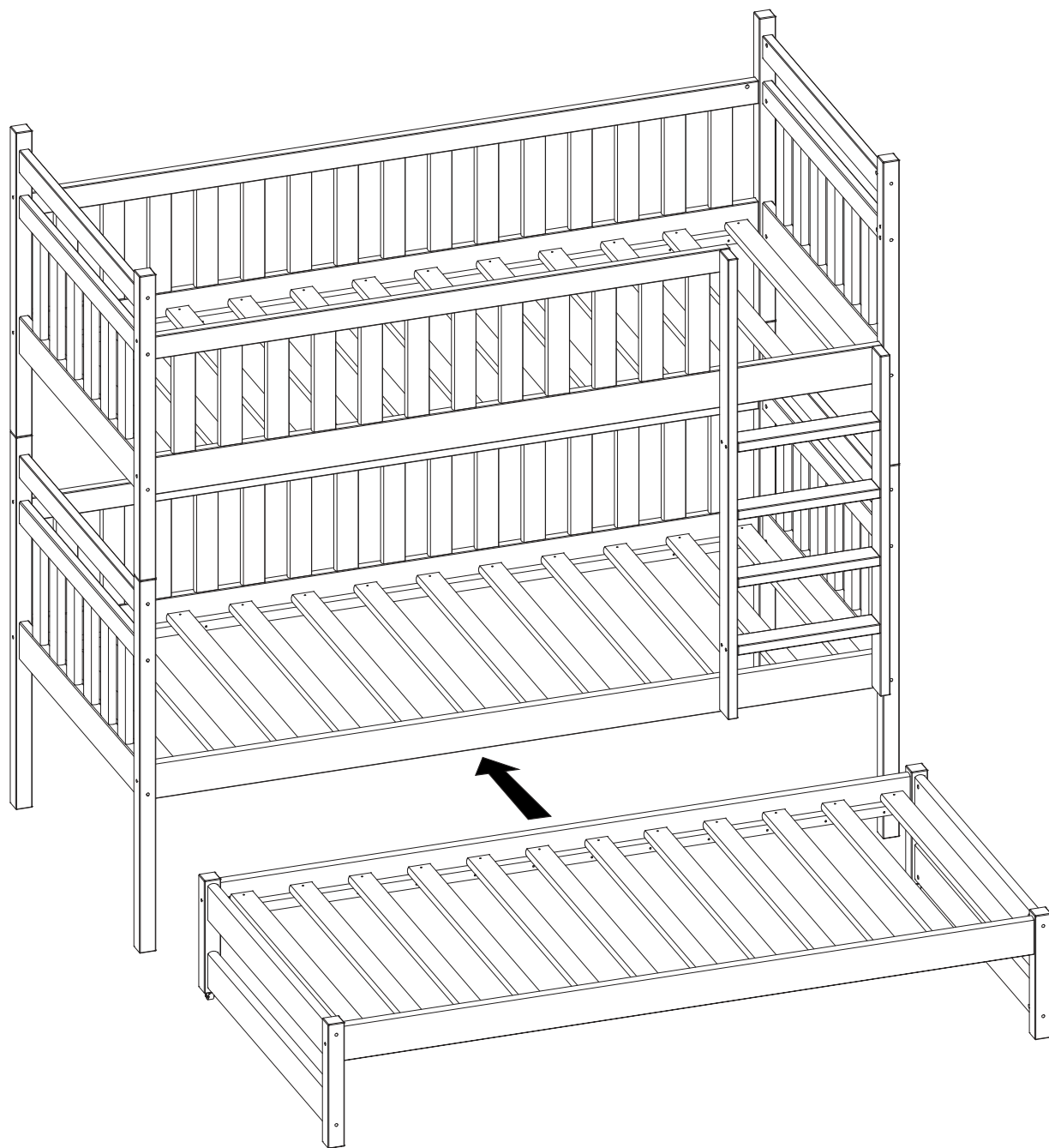


46.





47.



48.

