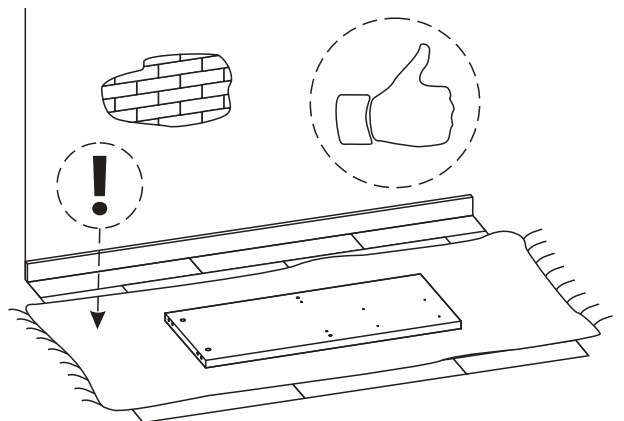
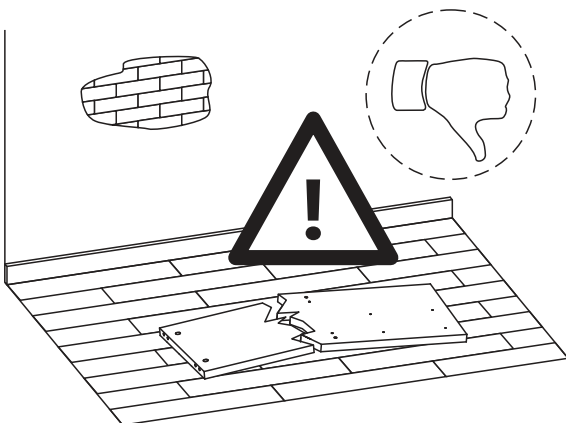
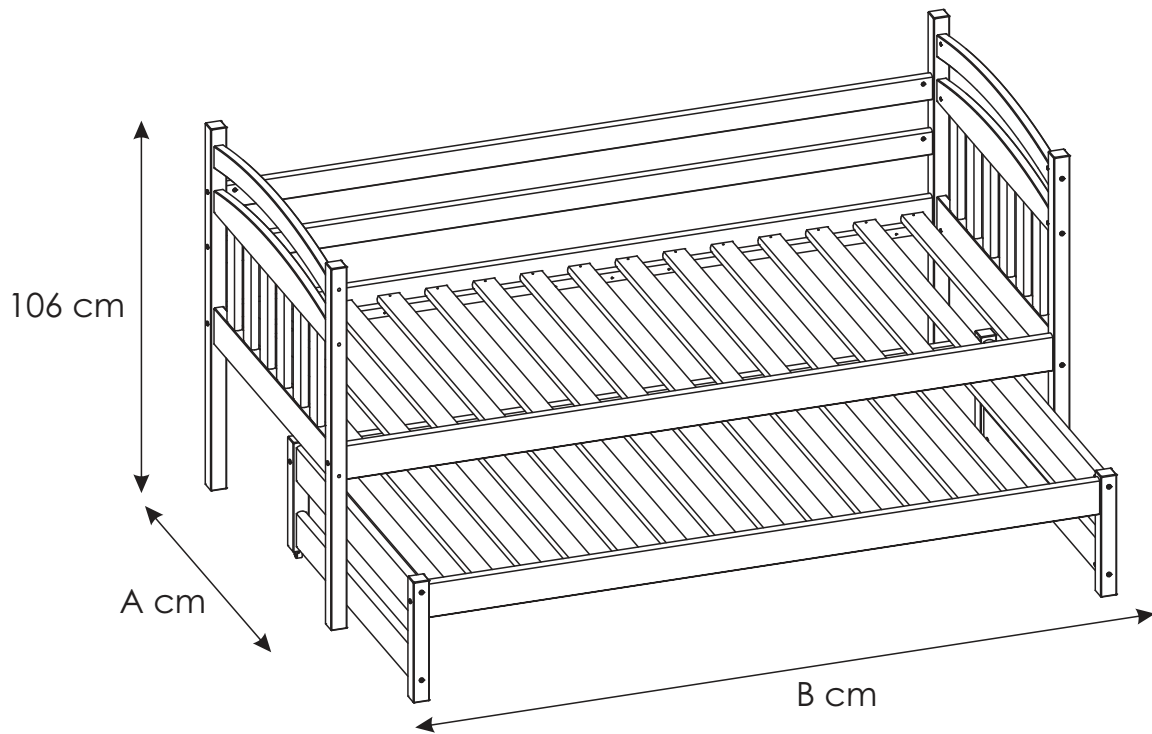
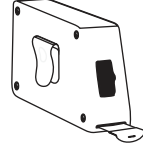
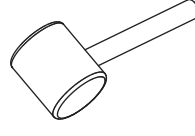
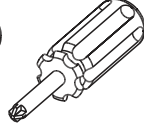
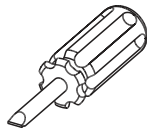
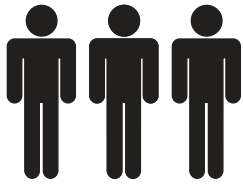
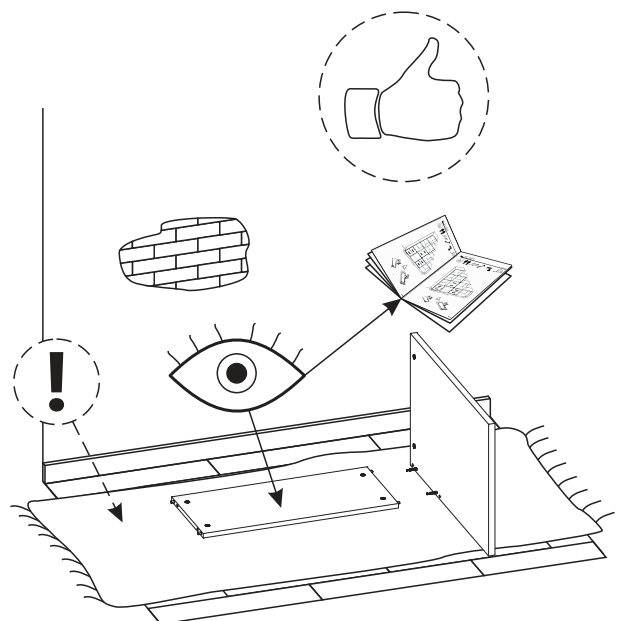
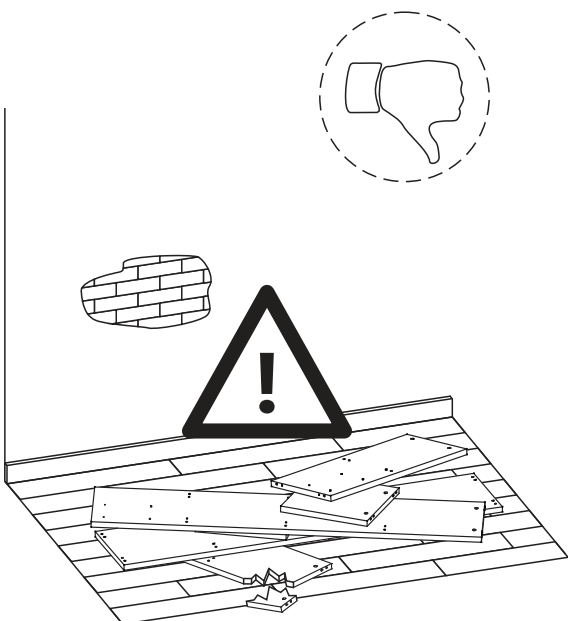
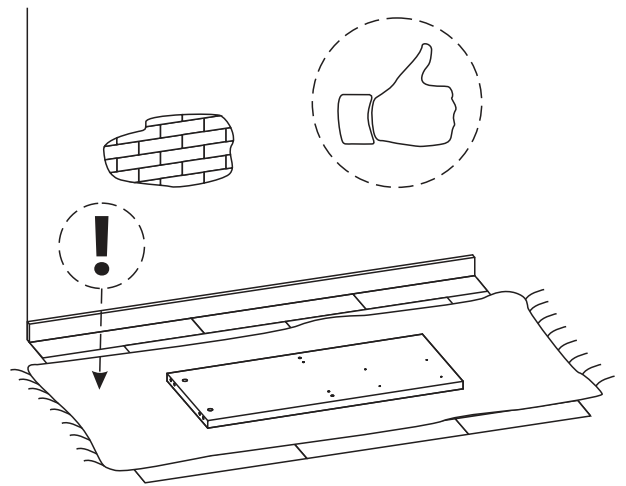
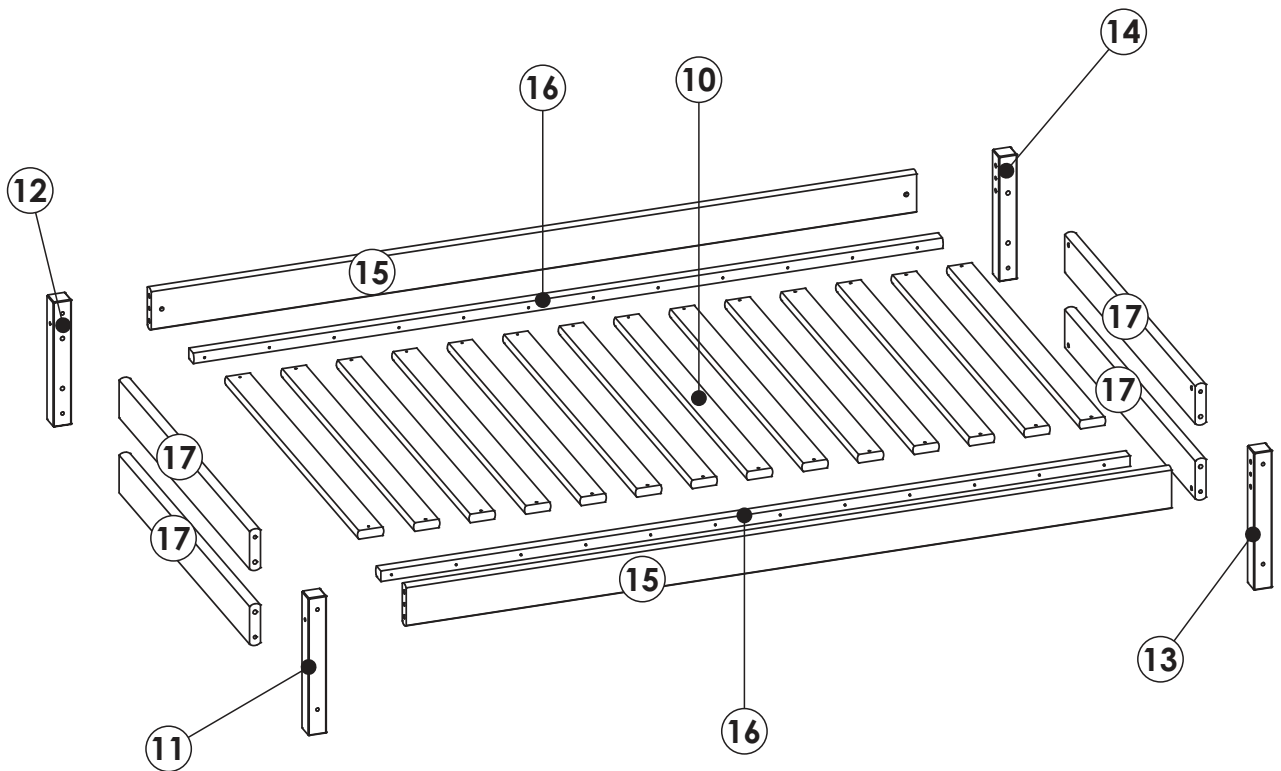
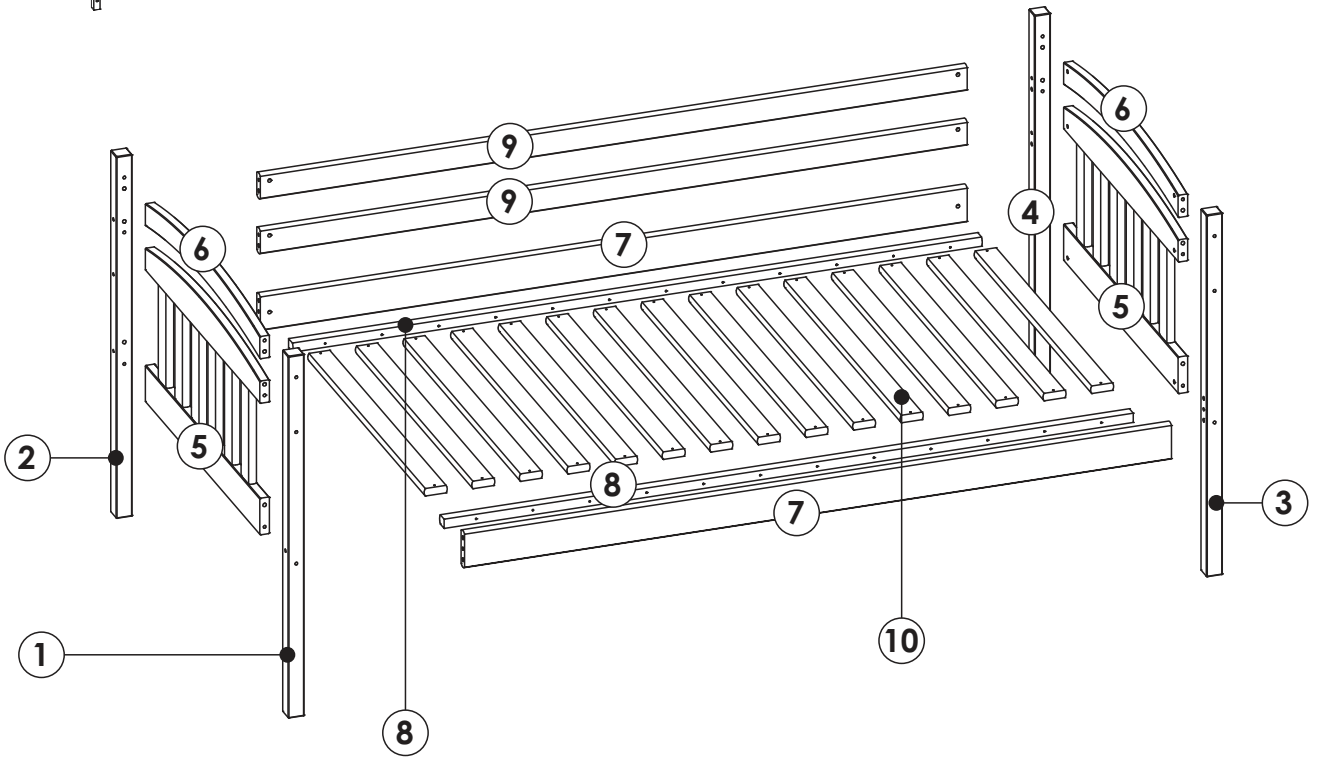
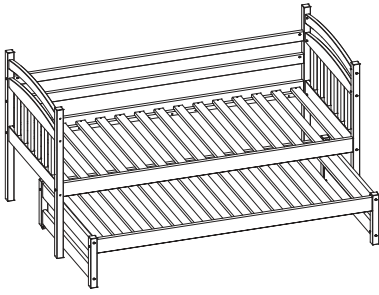


DANIEL





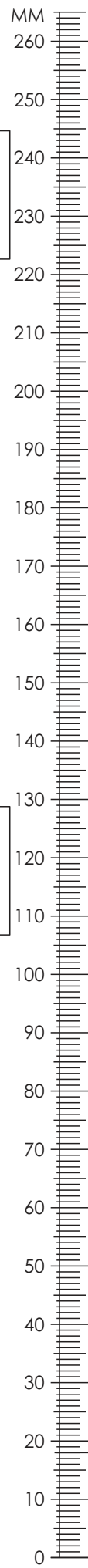
DANIEL

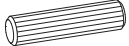
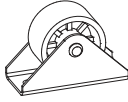





DANIEL

DMPL 1	1056	45	45	x1	DMNPL_02510
DATL 2	1056	45	45	x1	DANTL_02550
DMPP 3	1056	45	45	x1	DMNPP_02520
DATP 4	1056	45	45	x1	DANTP_02560
PBB 5	585, 685, 785, 885, 985	491	27	x2	PS_00470 DP_00480 DB_00610
DB 6	585, 685, 785, 885, 985	107	27	x2	DB_00600
DN 7	1190, 1390, 1590, 1690, 1790, 1890, 1990	107	27	x2	DN_00110
LS 8	1140, 1340, 1540, 1640, 1740, 1840, 1940	35	27	x2	LS_00160
DW 9	1190, 1390, 1590, 1690, 1790, 1890, 1990	107	27	x2	DW75_00930
WPL 11	352	45	45	x1	NWPL_01060
WTL 12	320	45	45	x1	NWTL_01080
WPP 13	352	45	45	x1	NWPP_01070
WTP 14	320	45	45	x1	NWTP_01090
DND 15	1090, 1290, 1490, 1590, 1690, 1790, 1890	107	27	x2	DN_00110
LS 16	1050, 1250, 1450, 1550, 1650, 1750, 1850	35	27	x2	LS_00160
DST 17	585, 685, 785, 885, 985	107	27	x4	DST_00120


DANIEL



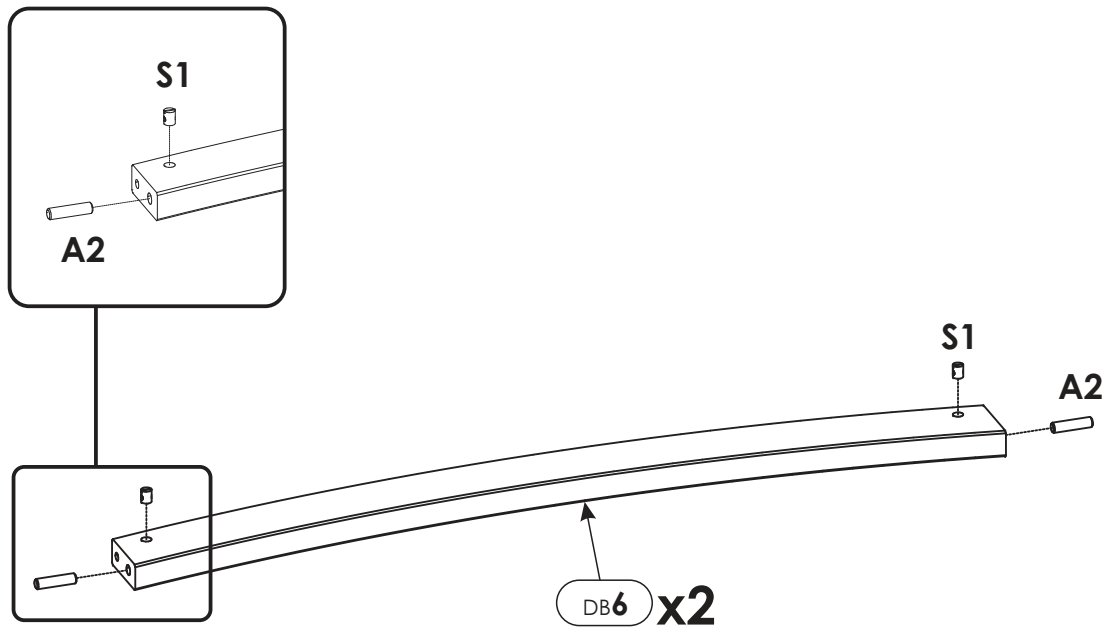
<p>A2 akc_0002</p>  <p>10 x 40 mm</p> <p style="text-align: right;">x40</p>	<p>J1 akc_0016</p>  <p style="text-align: right;">x2</p>	<p>M akc_0005</p>  <p style="text-align: right;">x1</p>
<p>N1 akc_0006</p>  <p>6 x 80 mm</p> <p style="text-align: right;">x32</p>	<p>S1 akc_0008</p>  <p>10 x 16 mm</p> <p style="text-align: right;">x32</p>	

----- **OPTION** -----

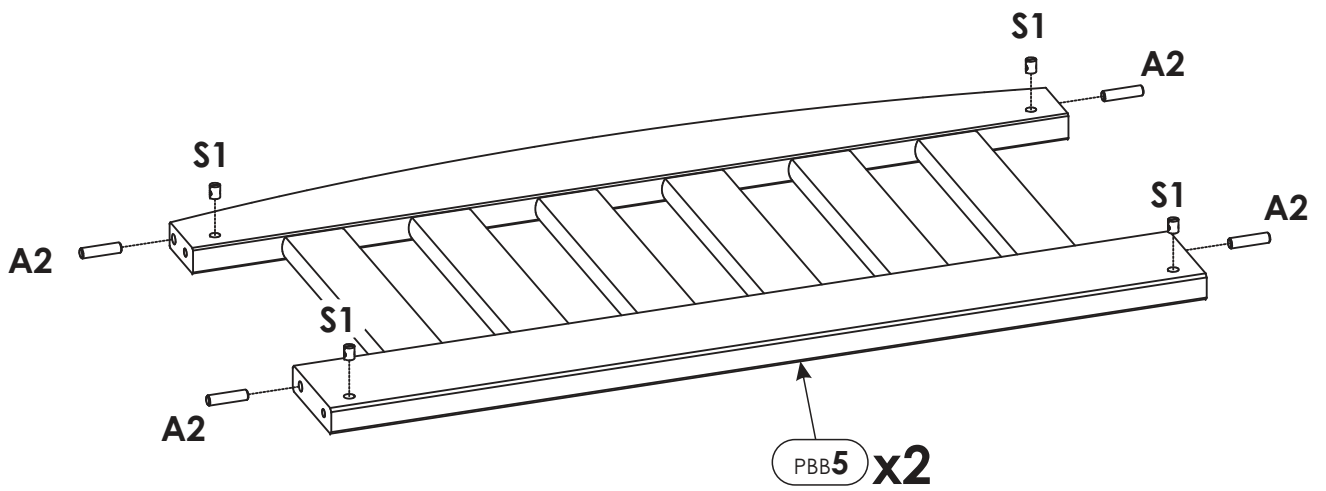
<p>W1 akc_0009</p>  <p>3,5 x 40 mm</p> <p style="text-align: right;">38 < x < 62</p>

<p>W3 akc_0011</p>  <p>4 x 50 mm</p> <p style="text-align: right;">40 < x < 48</p>

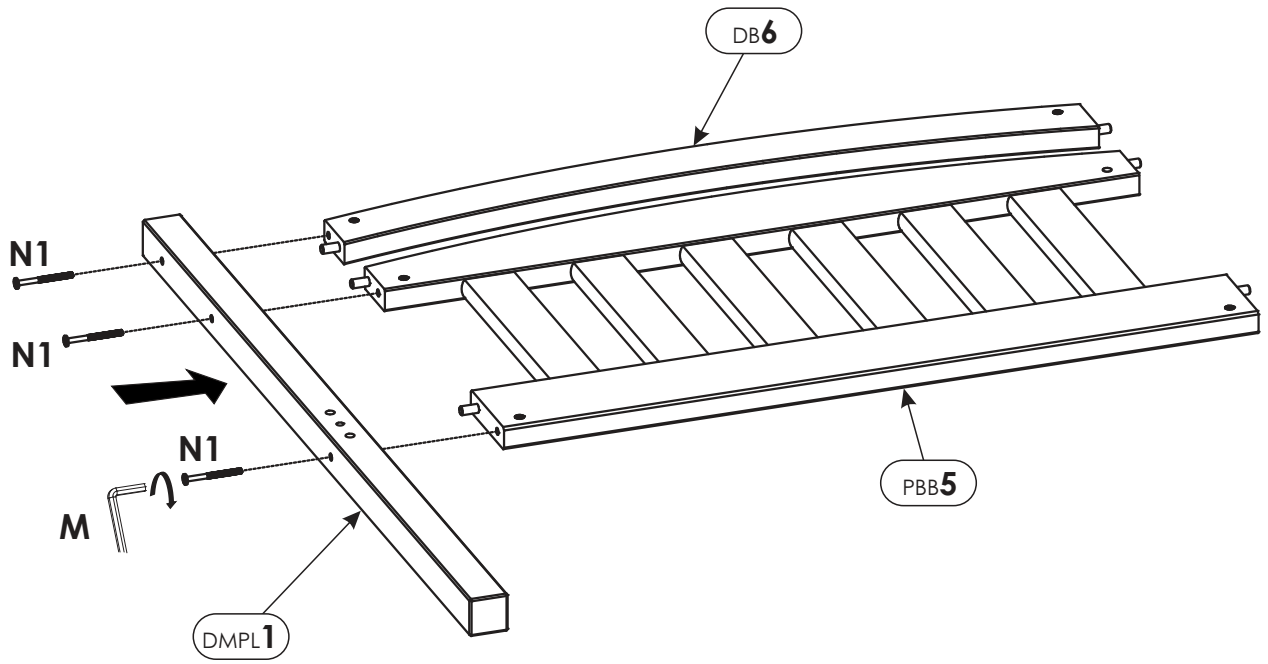
1.



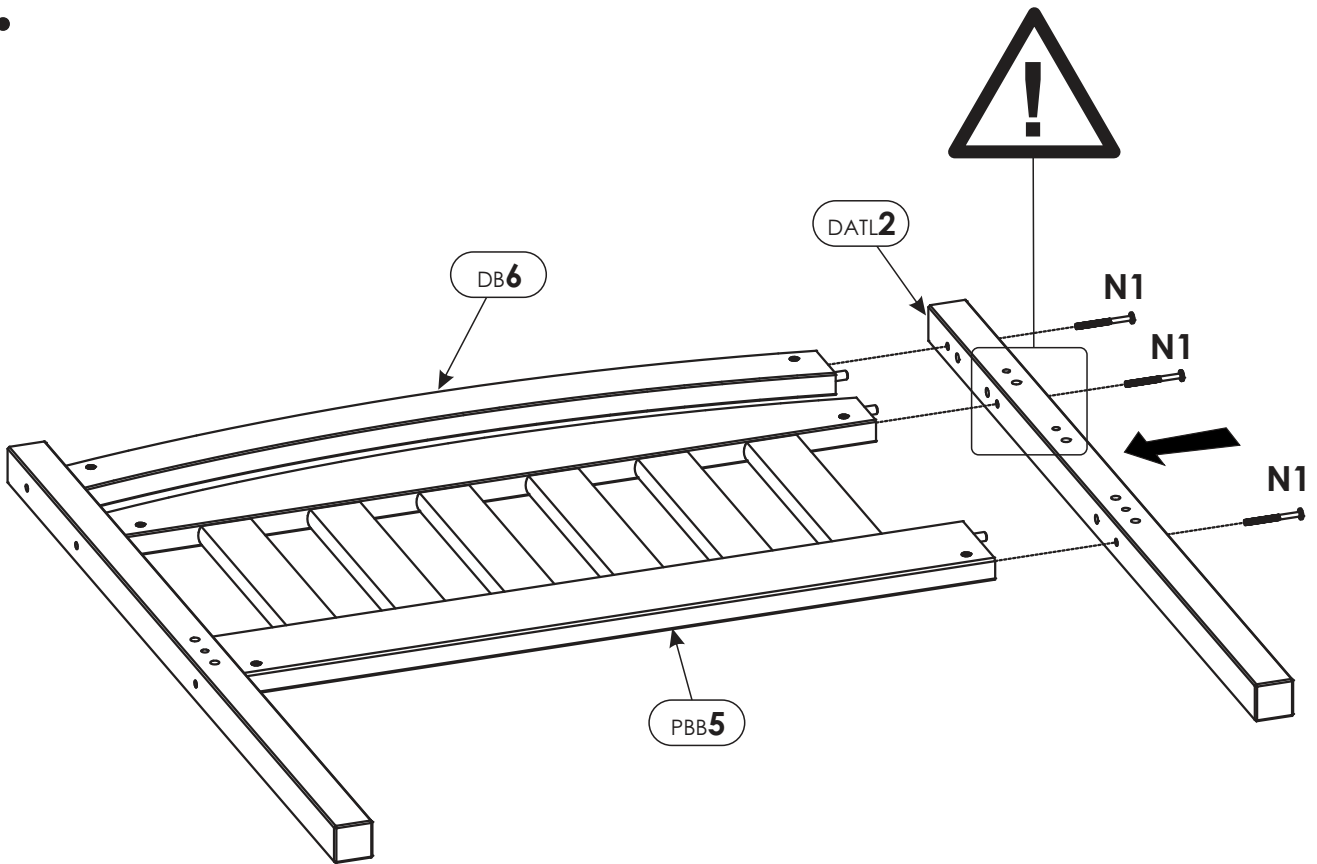
2.



3.

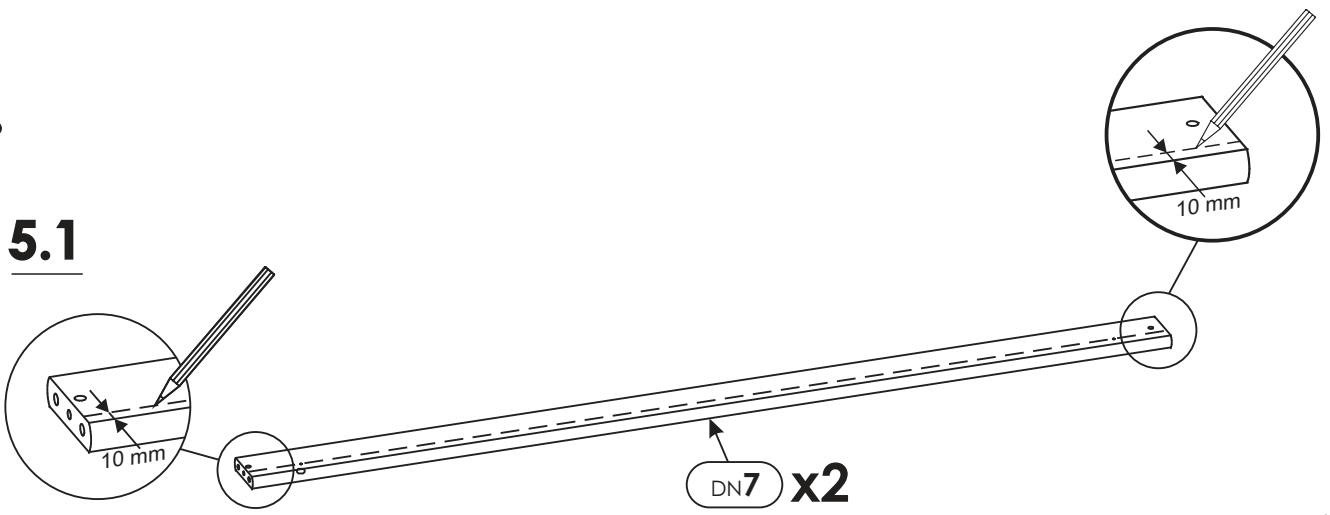


4.

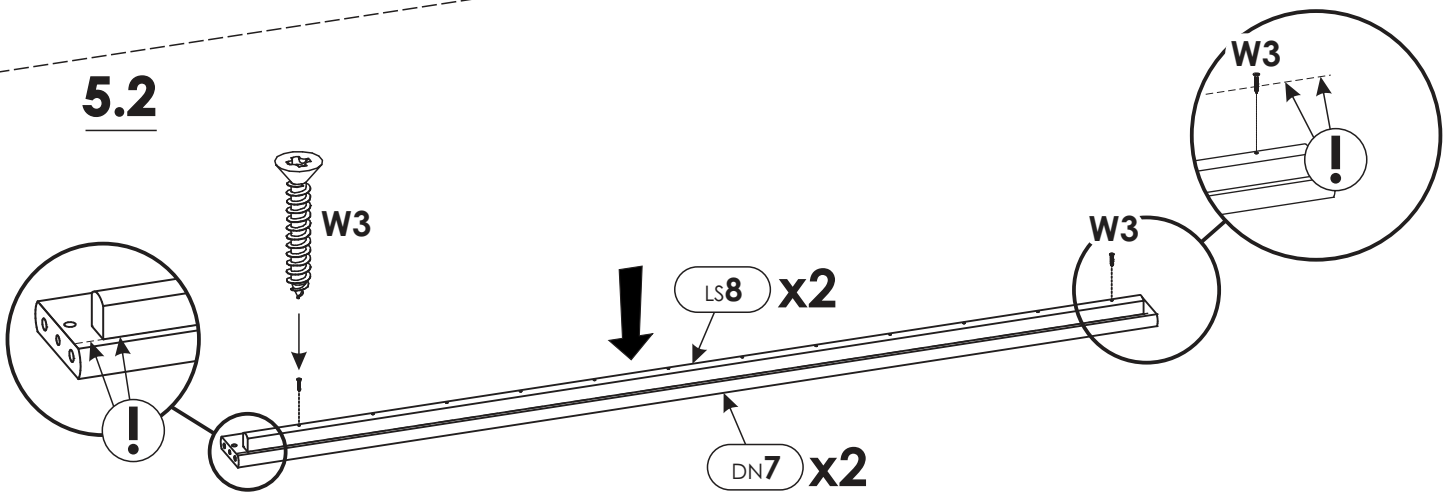


5.

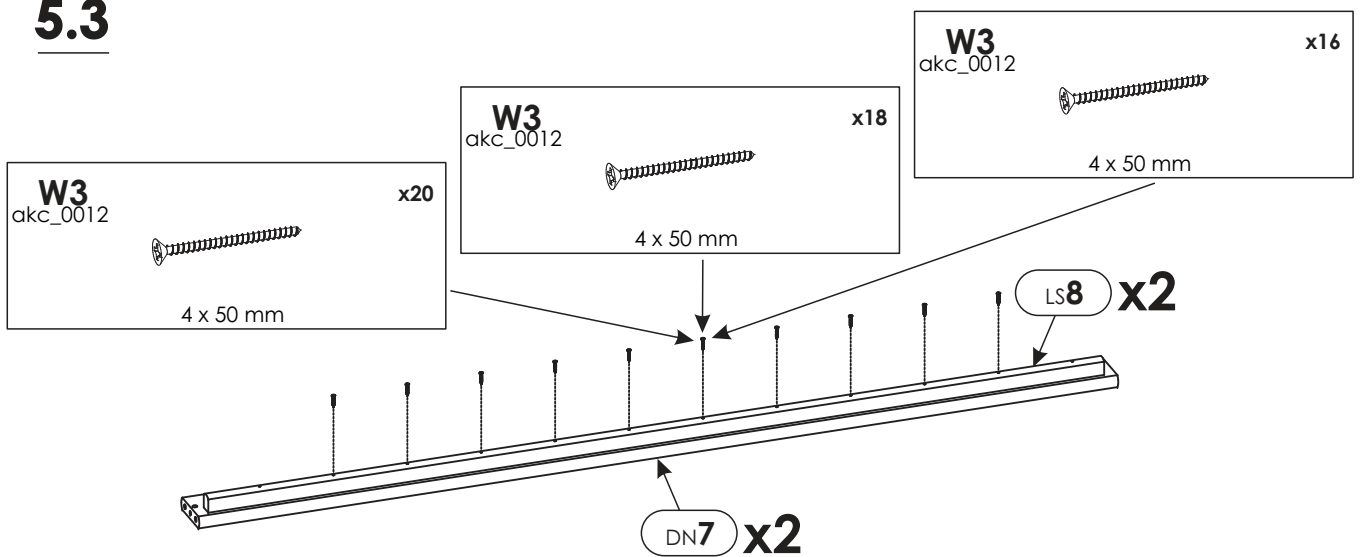
5.1



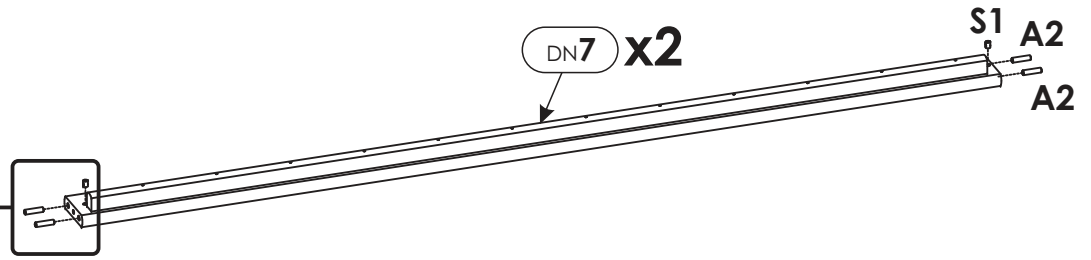
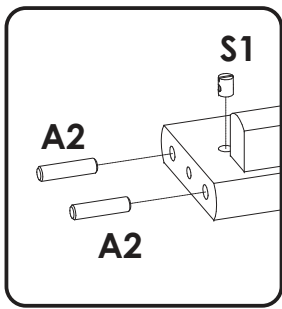
5.2



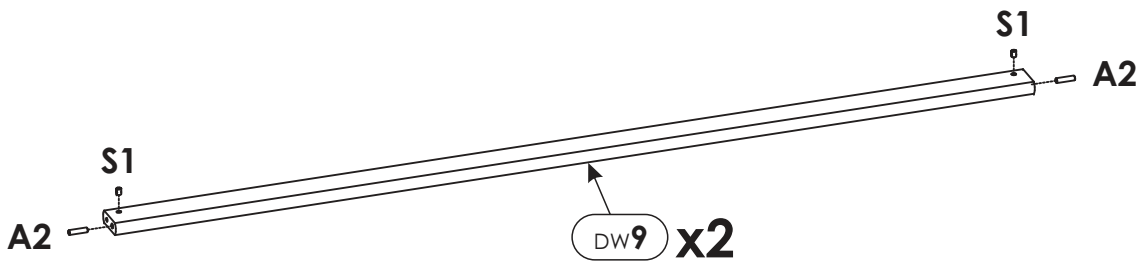
5.3



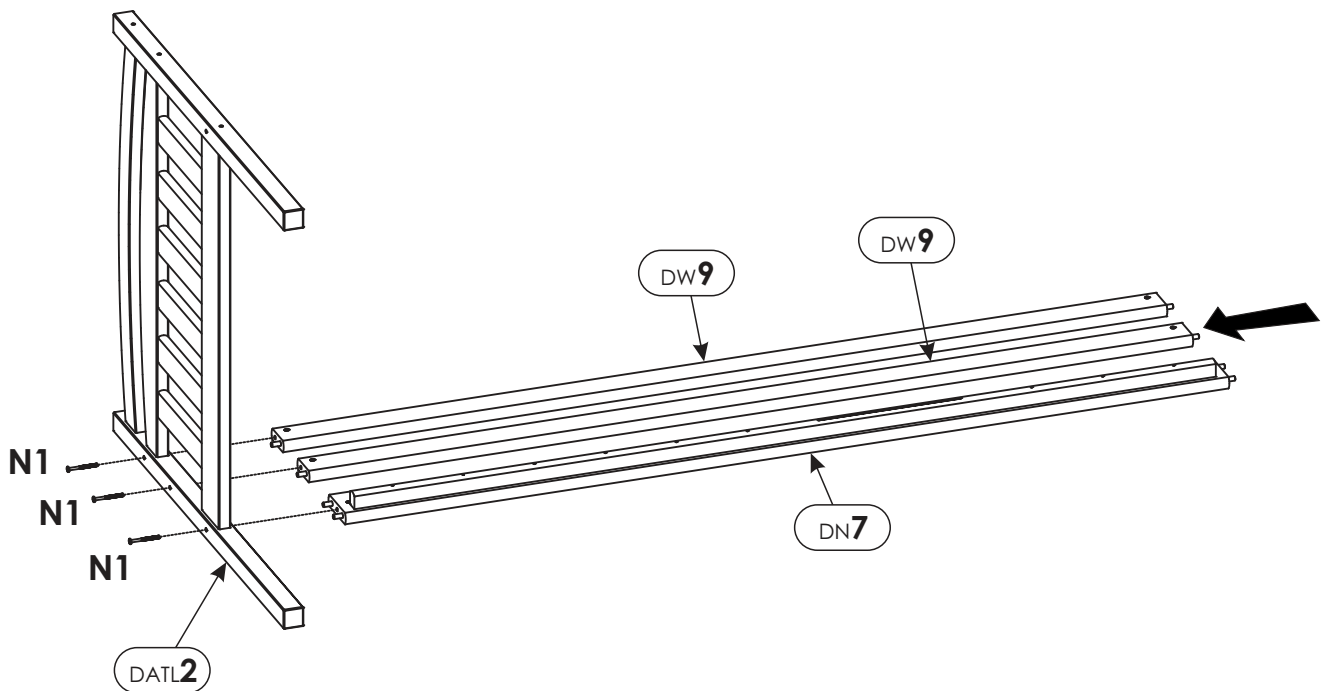
5.4



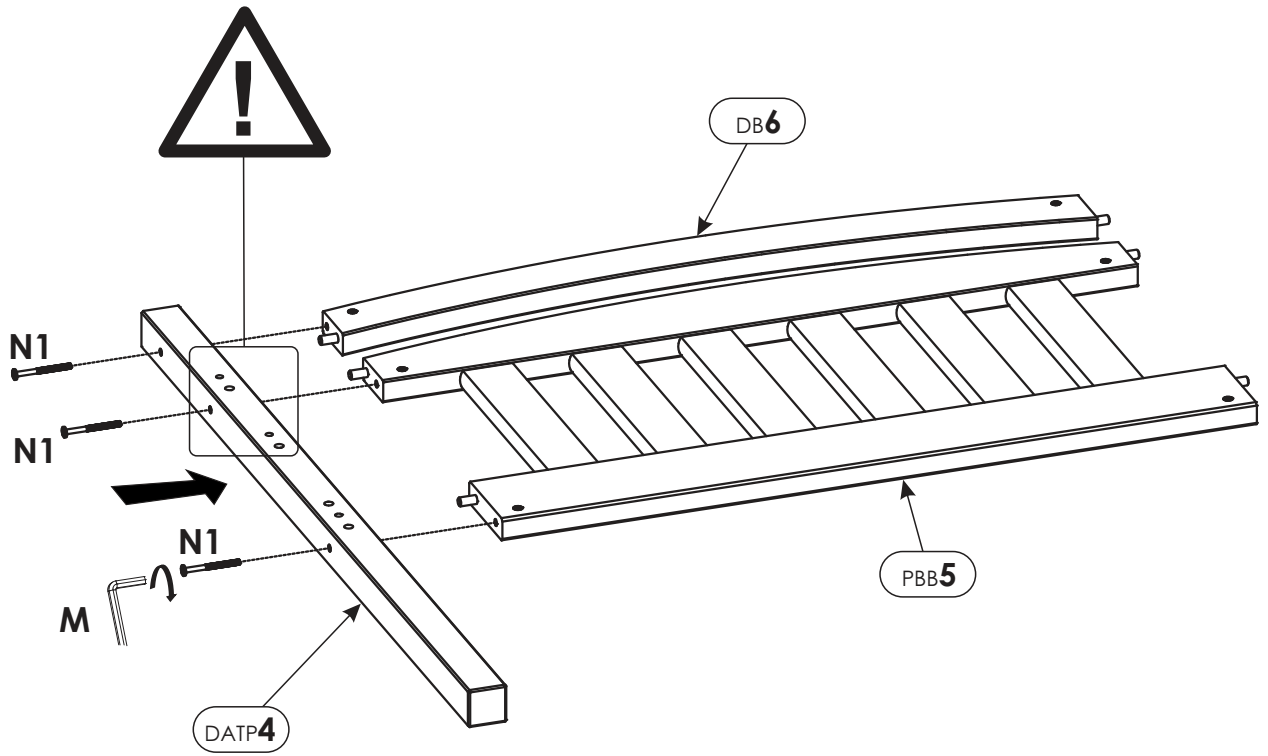
6.



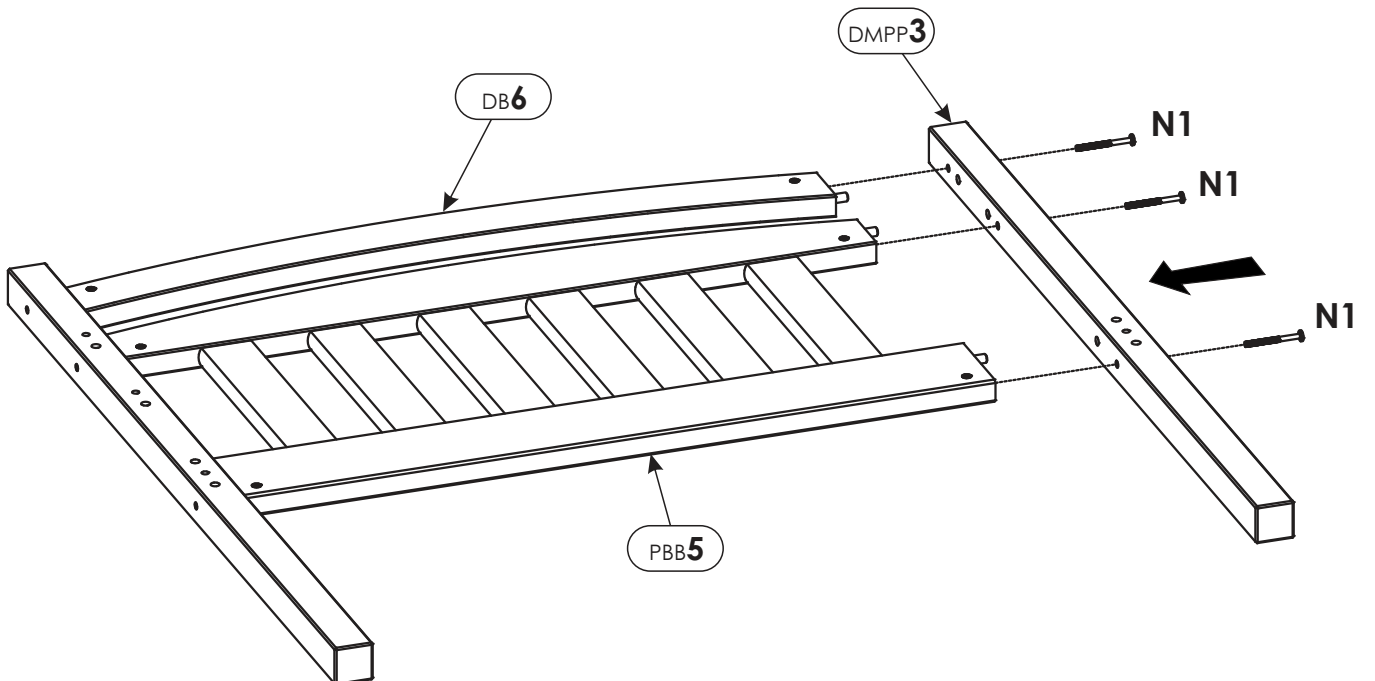
7.



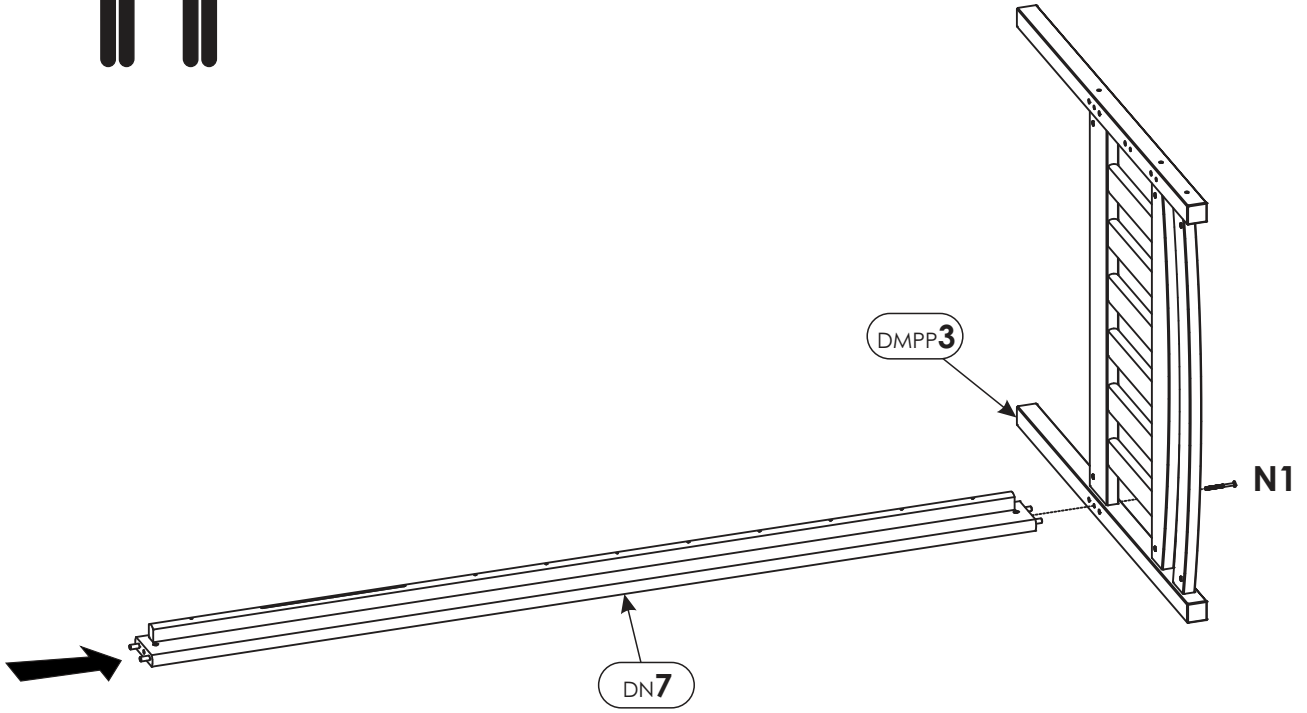
8.



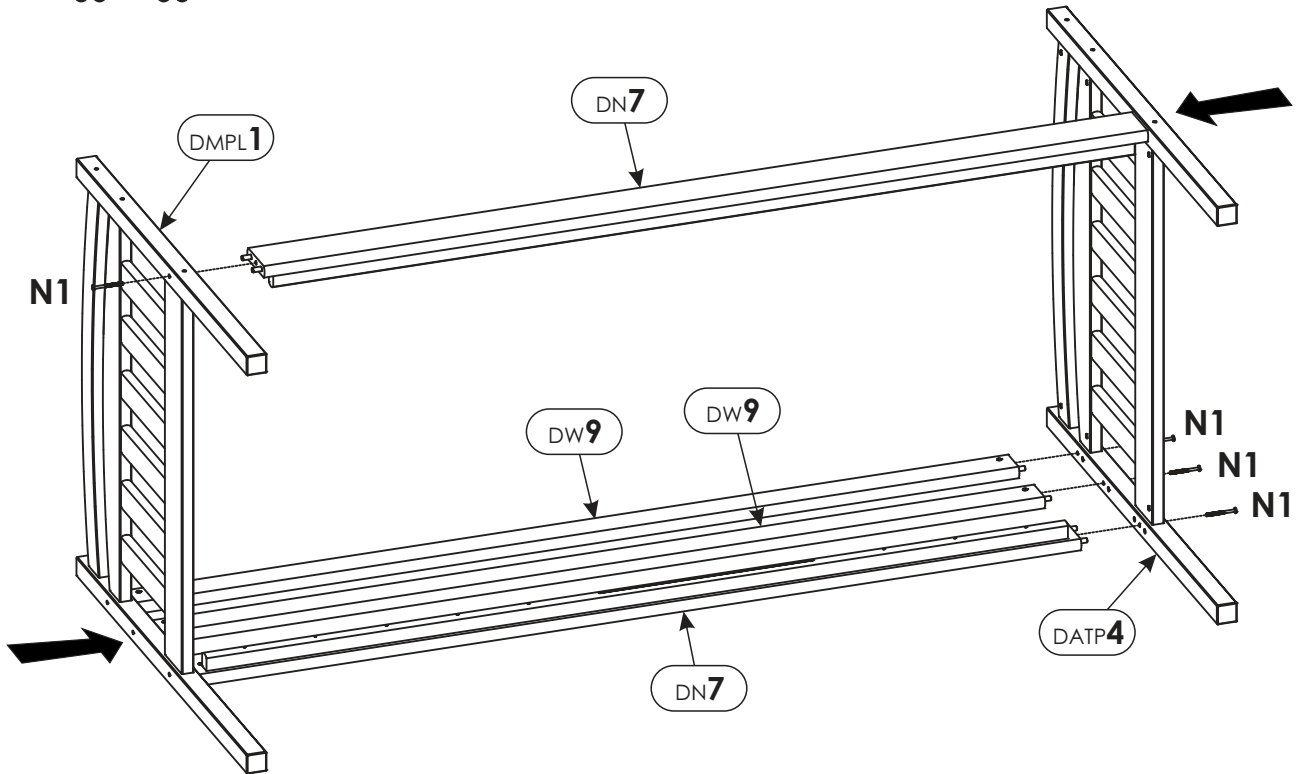
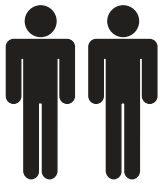
9.



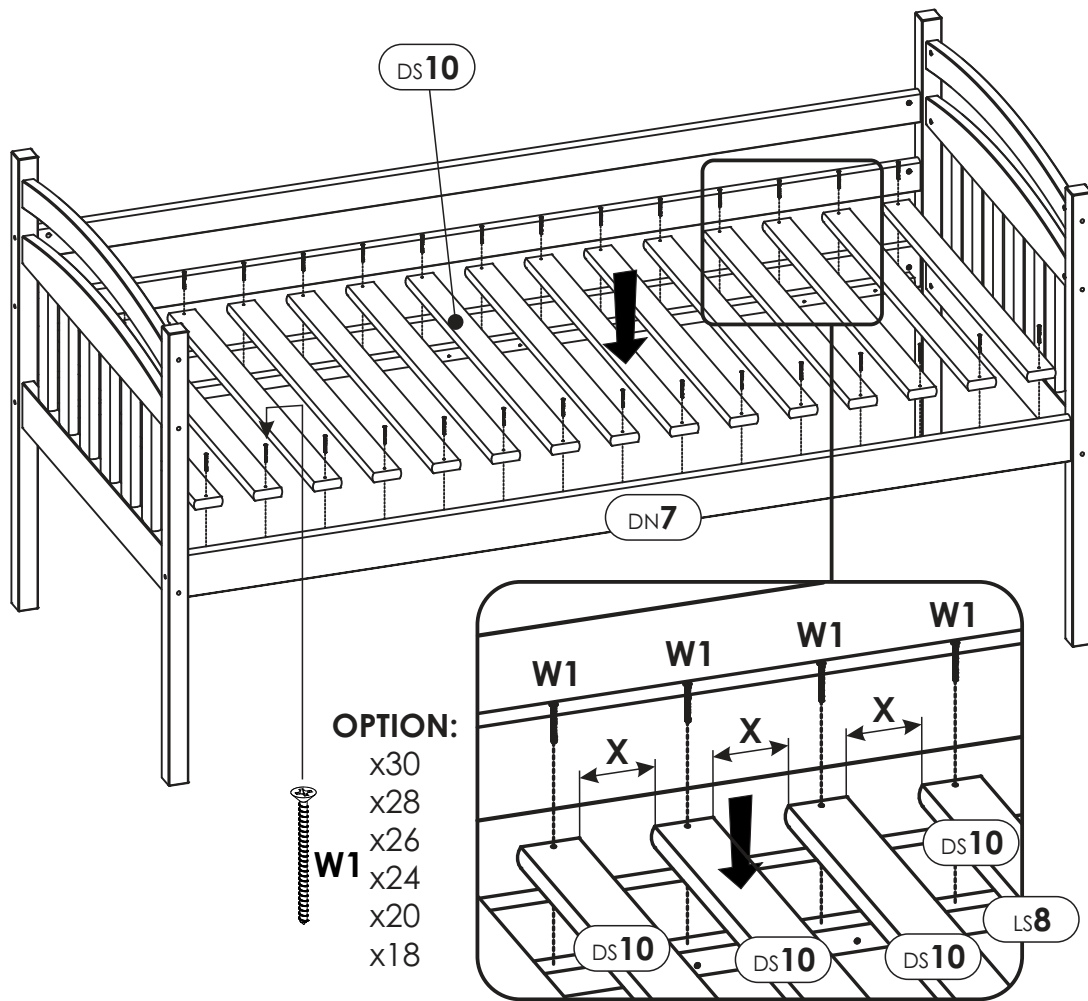
10.



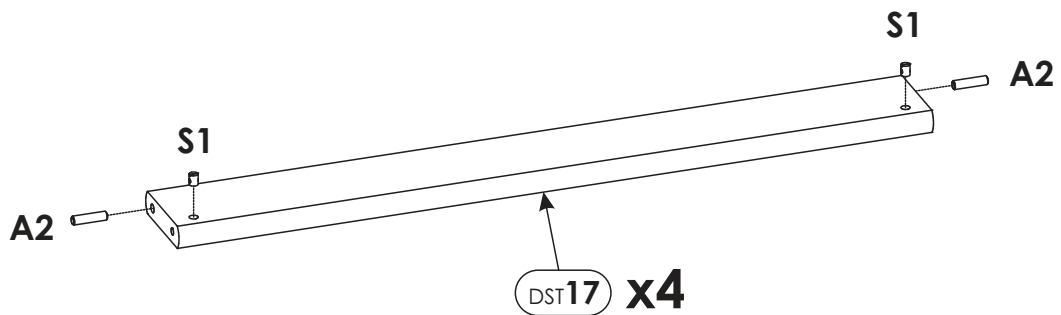
11.



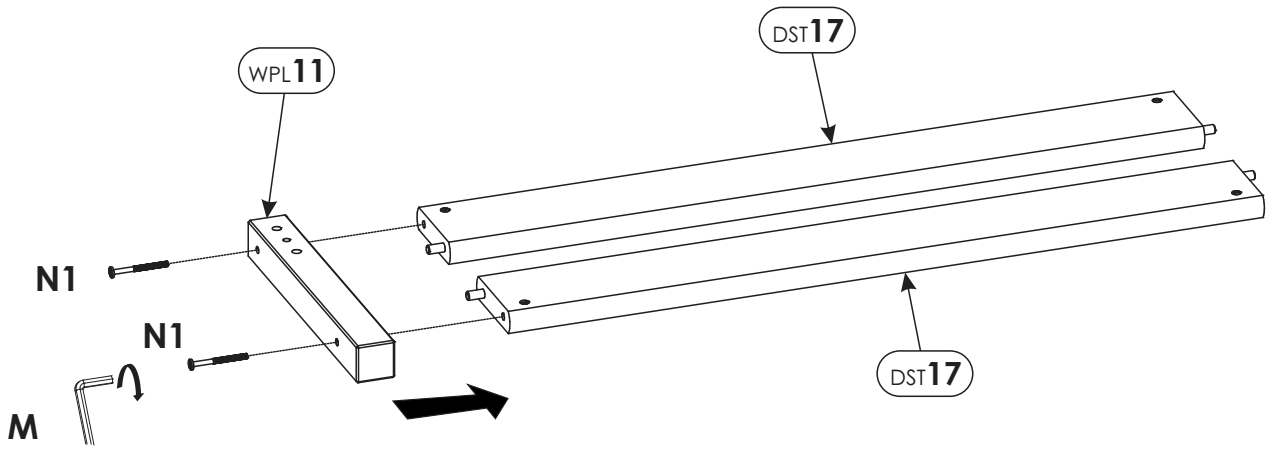
12.



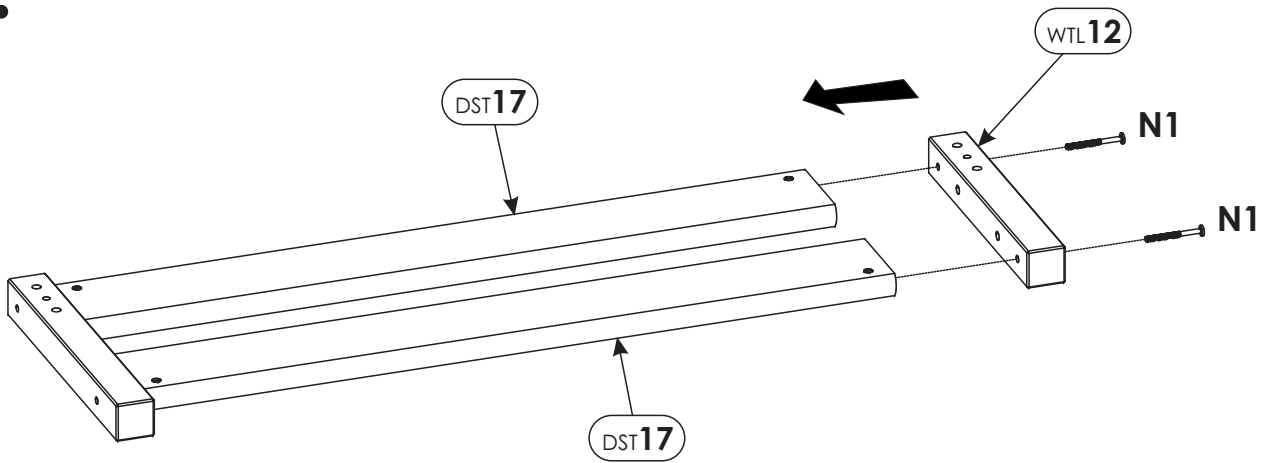
13.



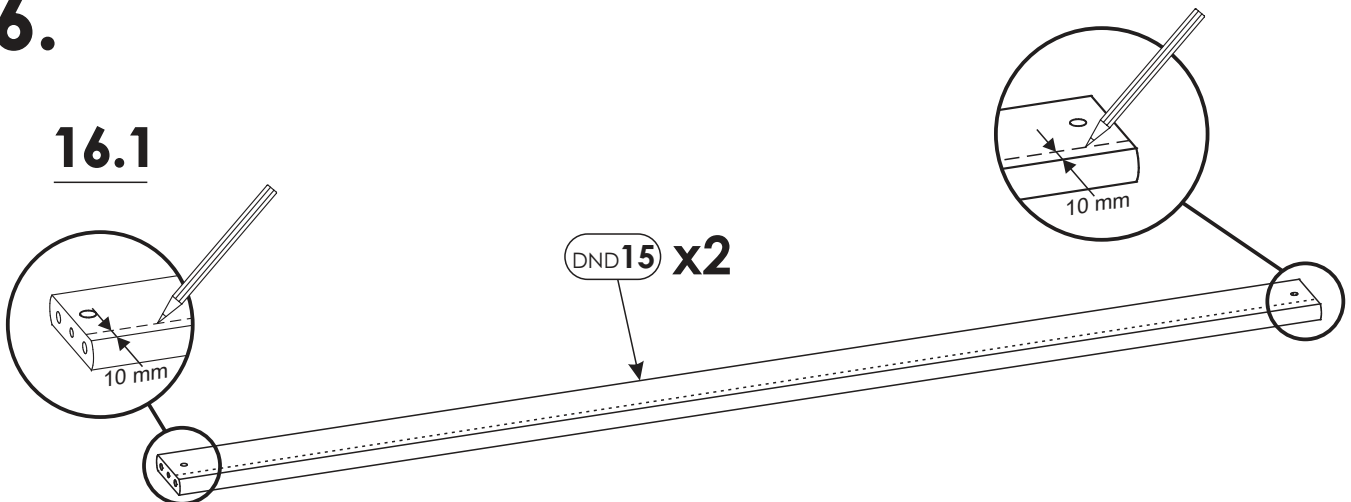
14.



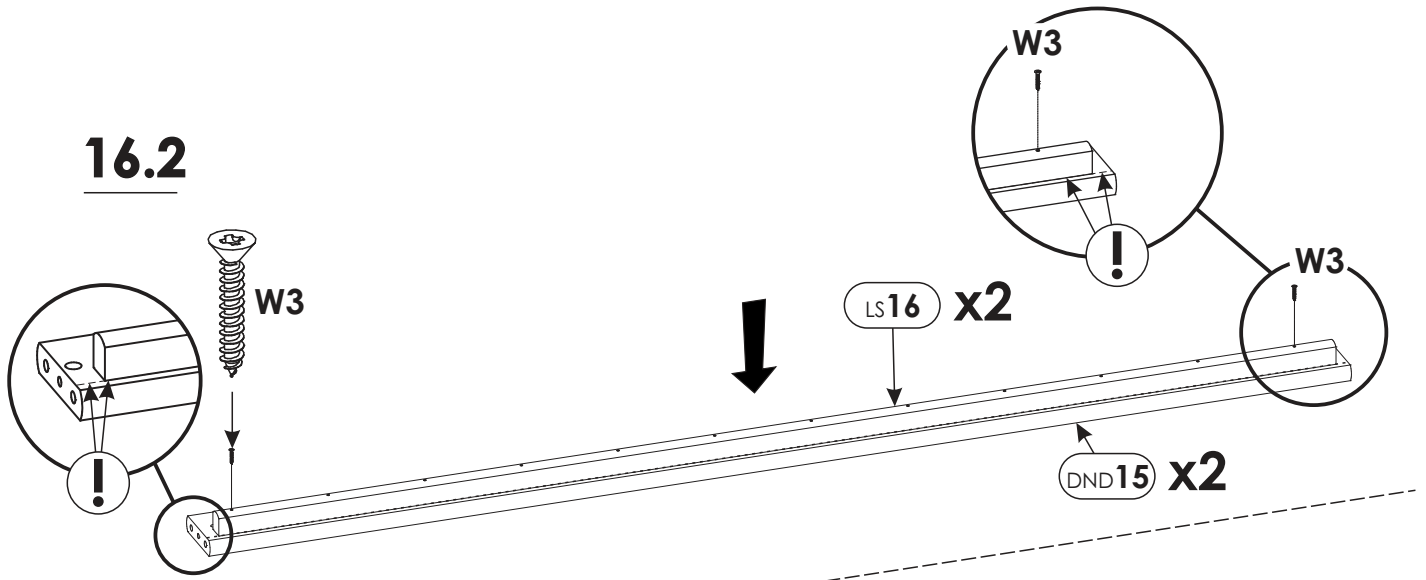
15.



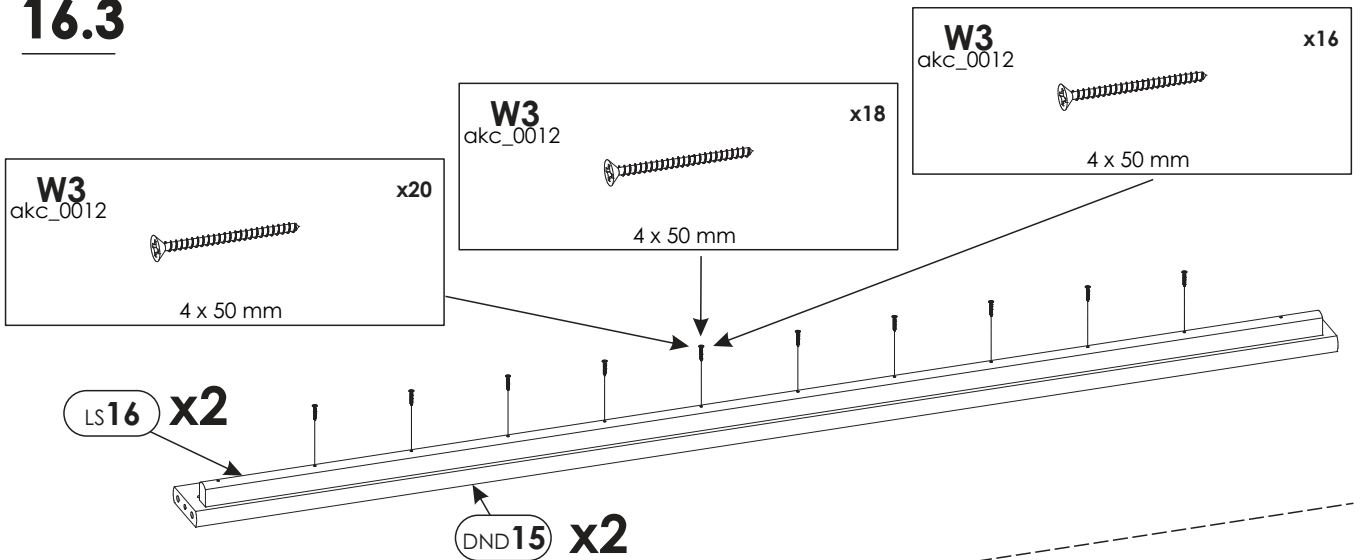
16.



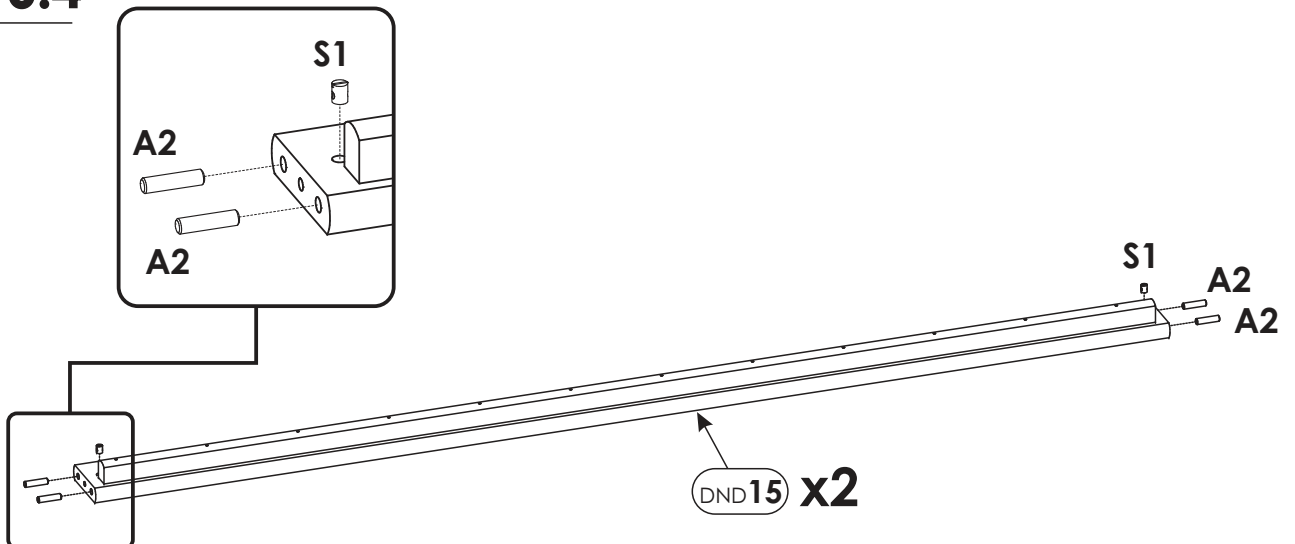
16.2



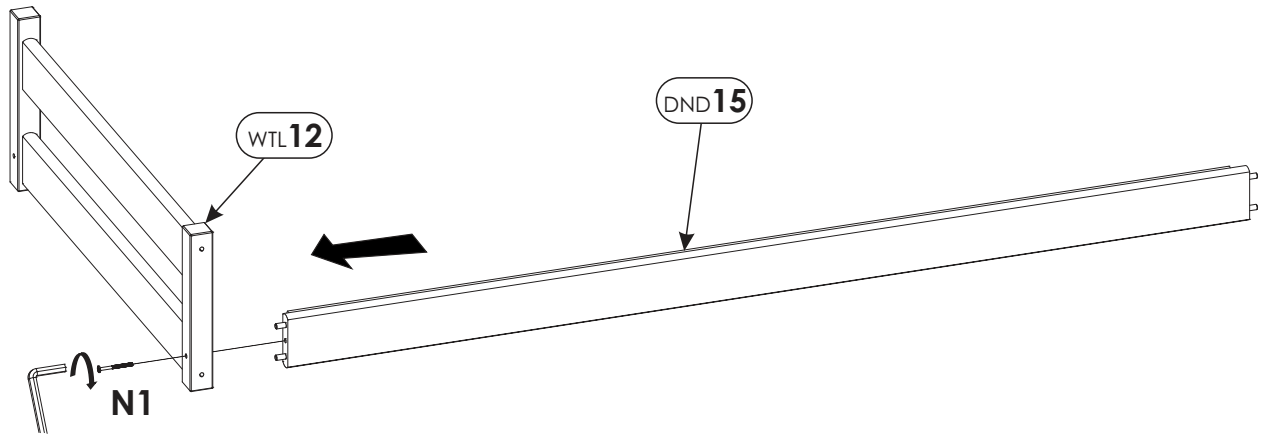
16.3



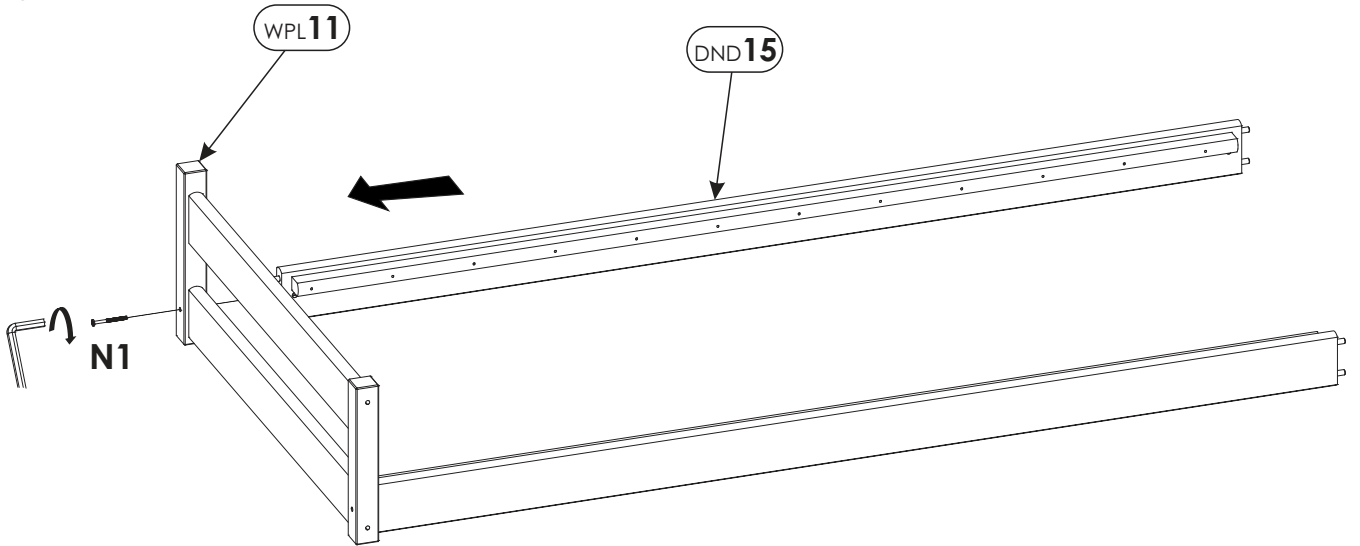
16.4



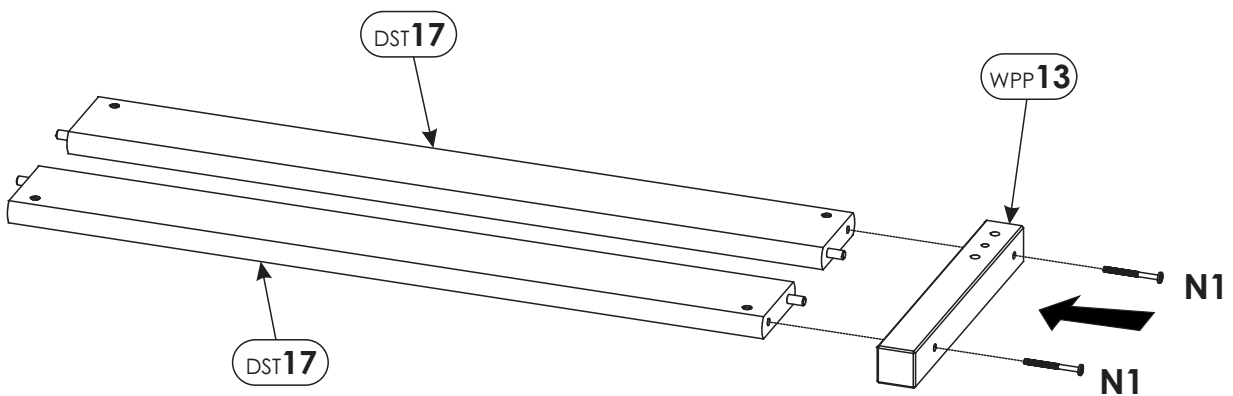
17.



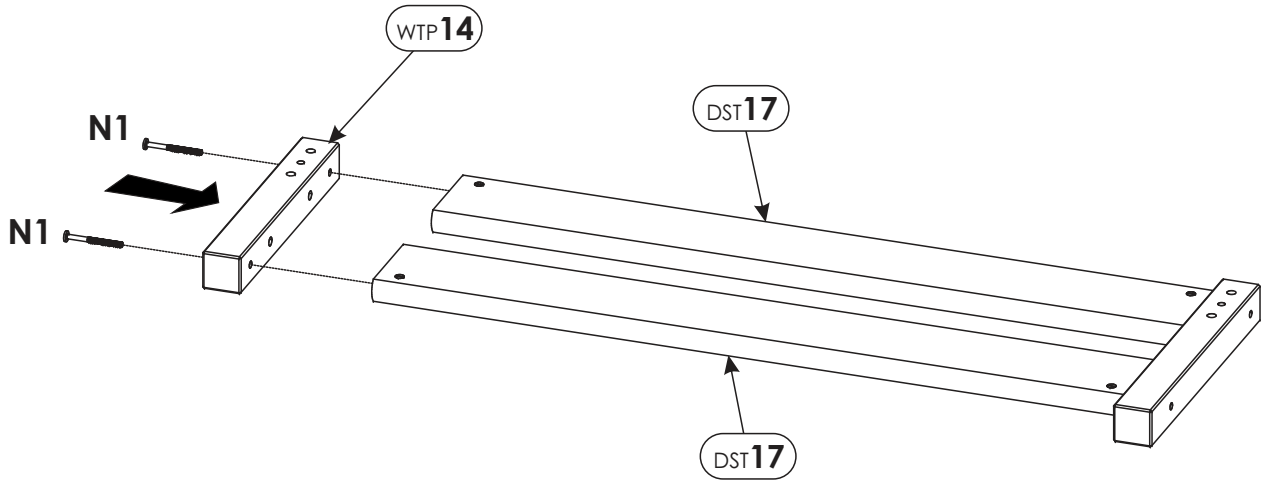
18.



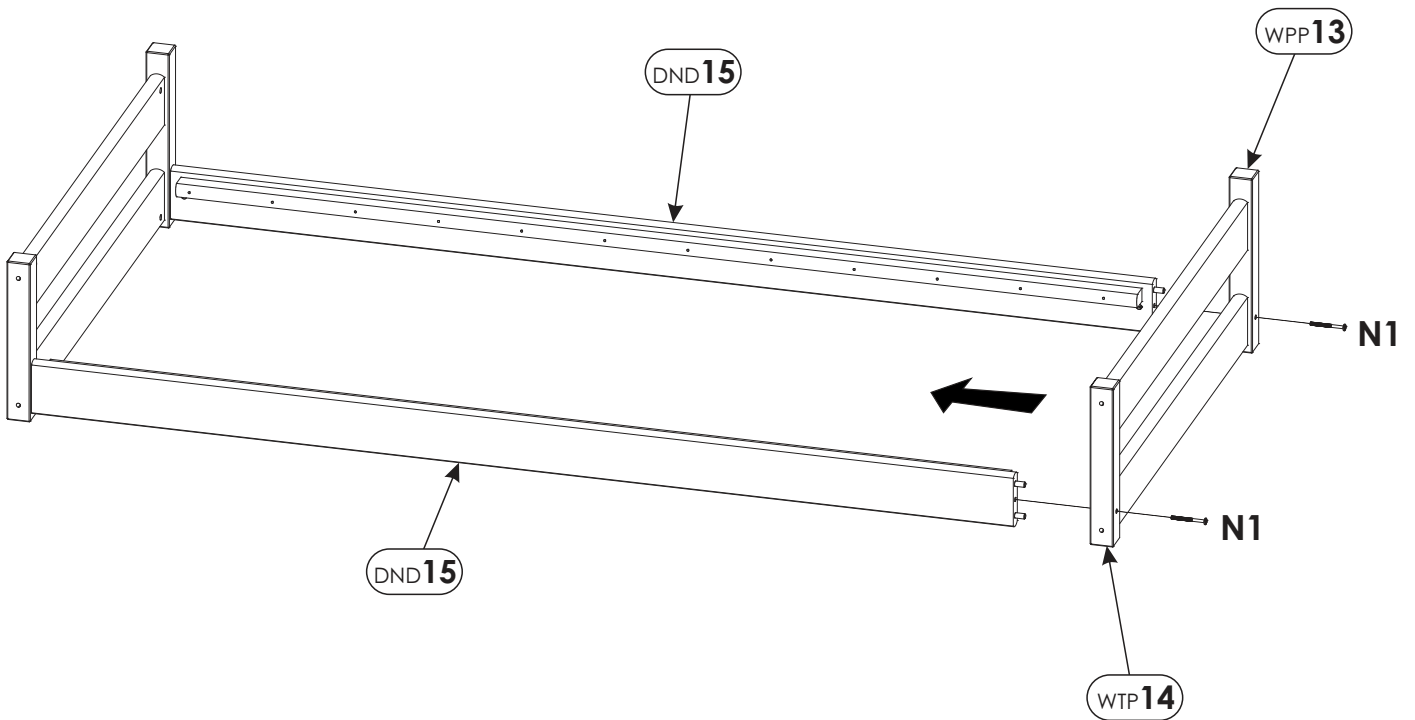
19.



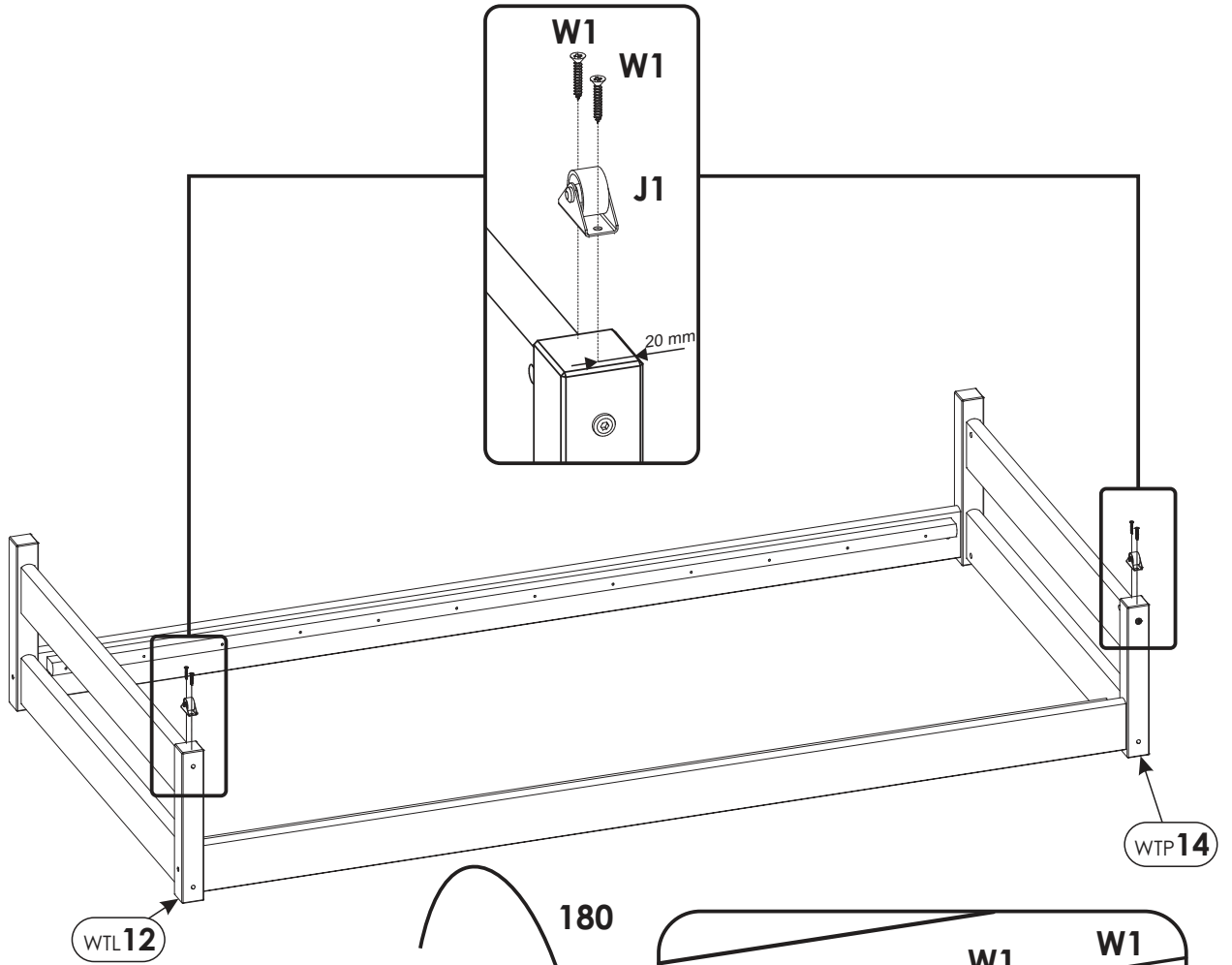
20.



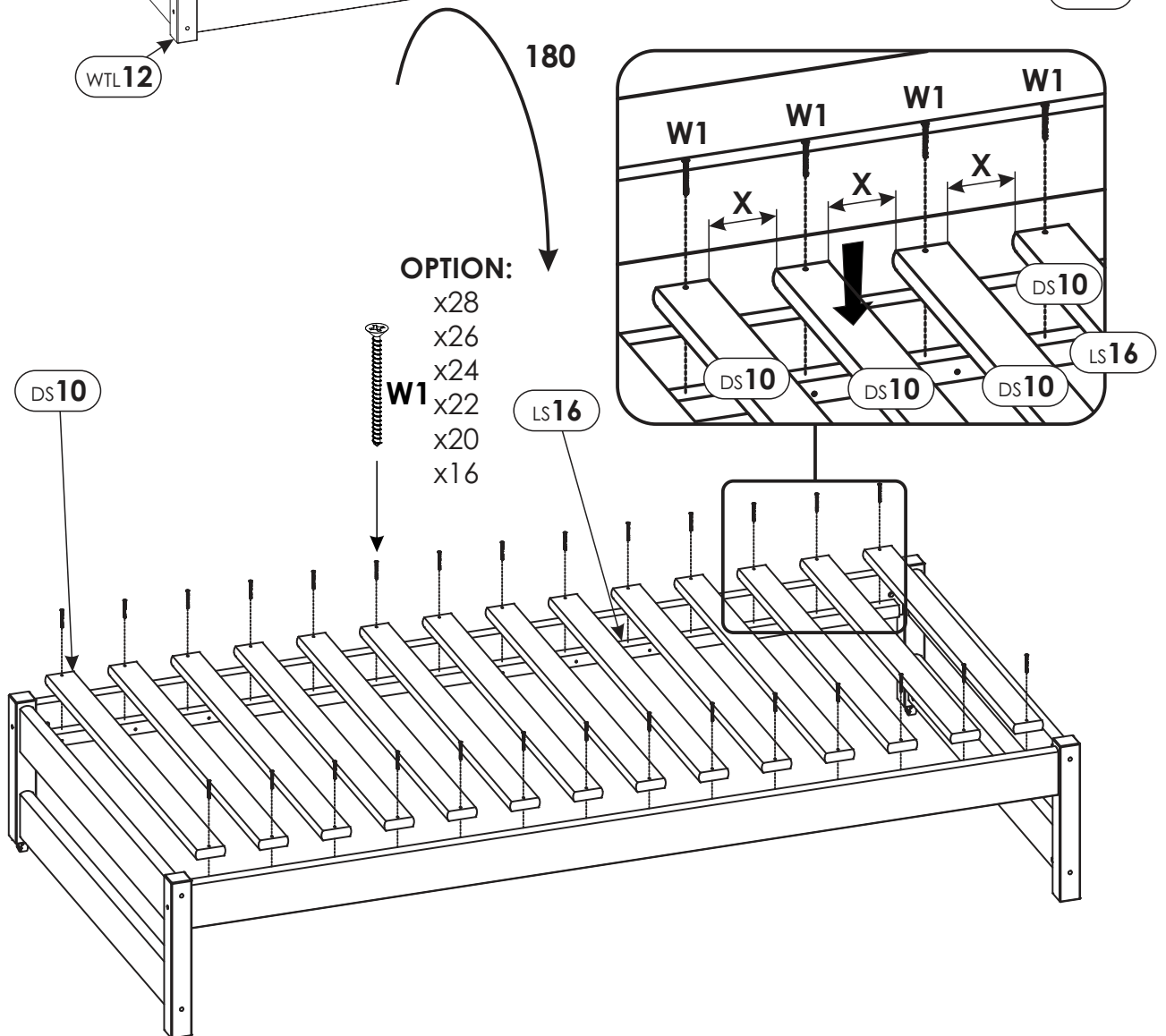
21.



22.



23.



24.

