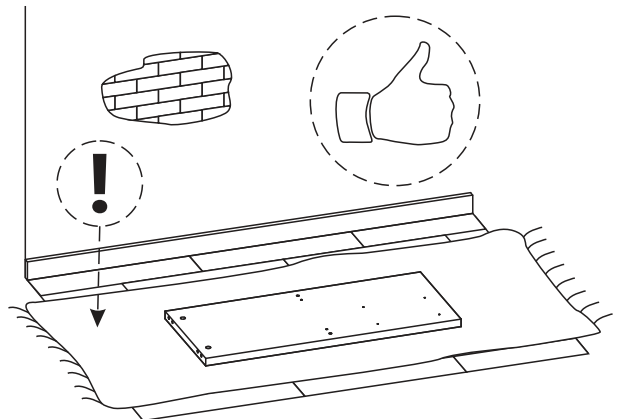
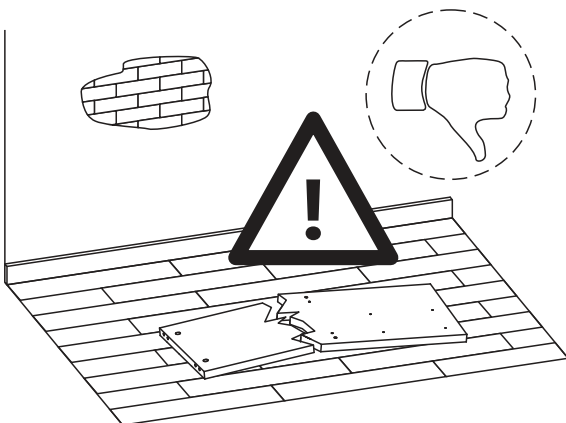
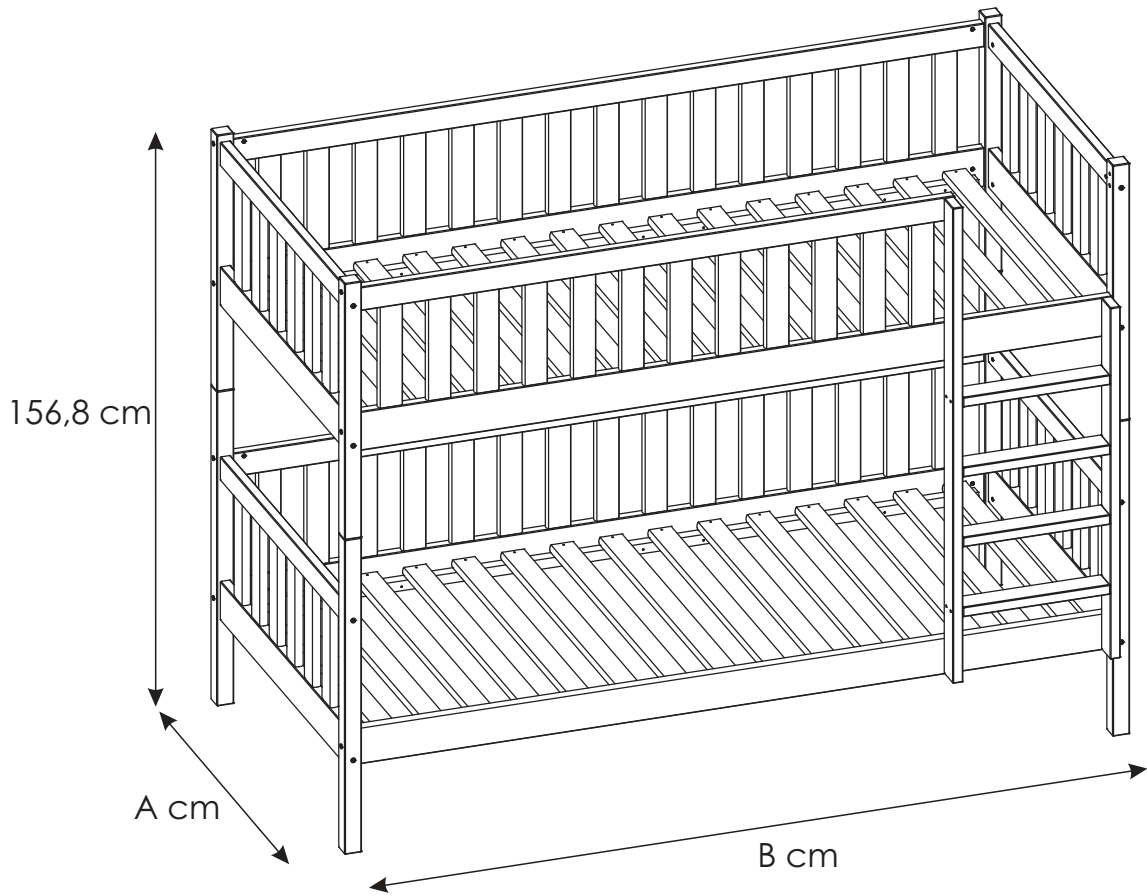
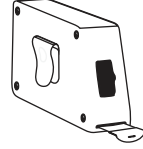
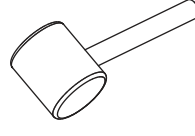
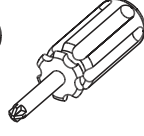
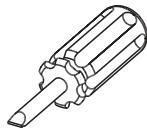
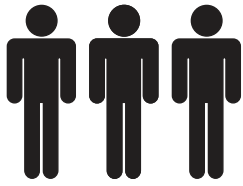
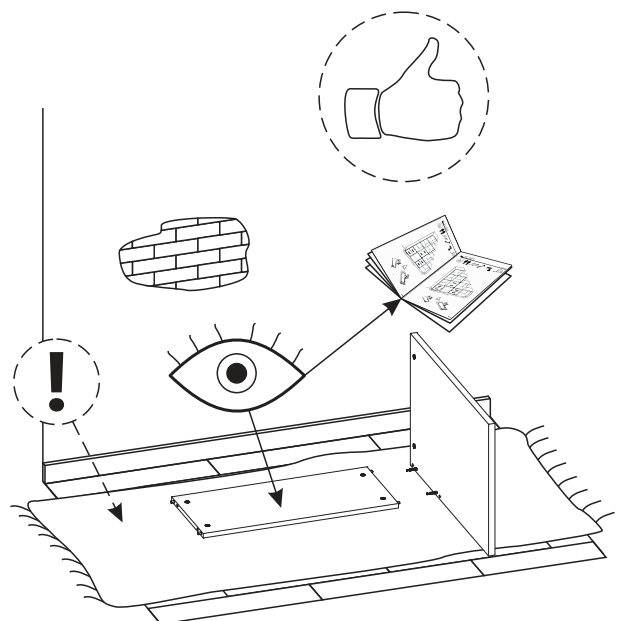
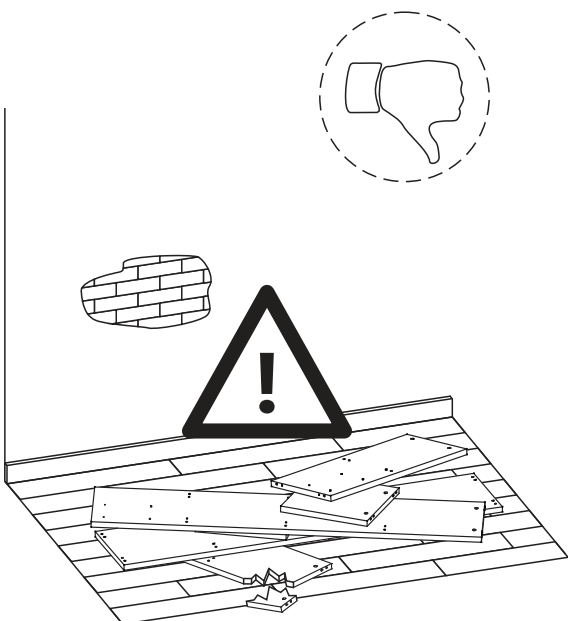
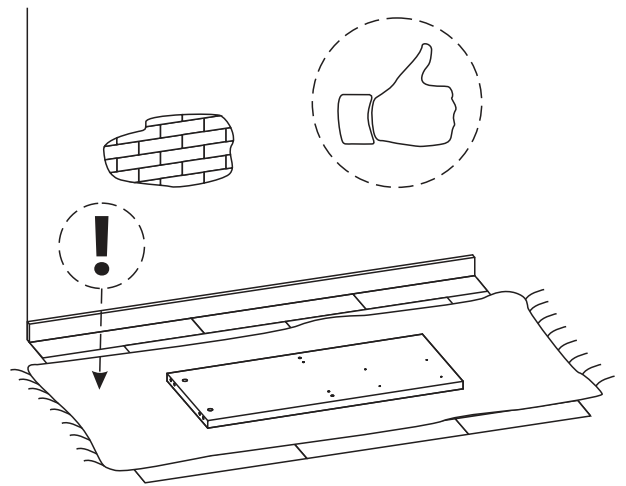


# MATEUSZ

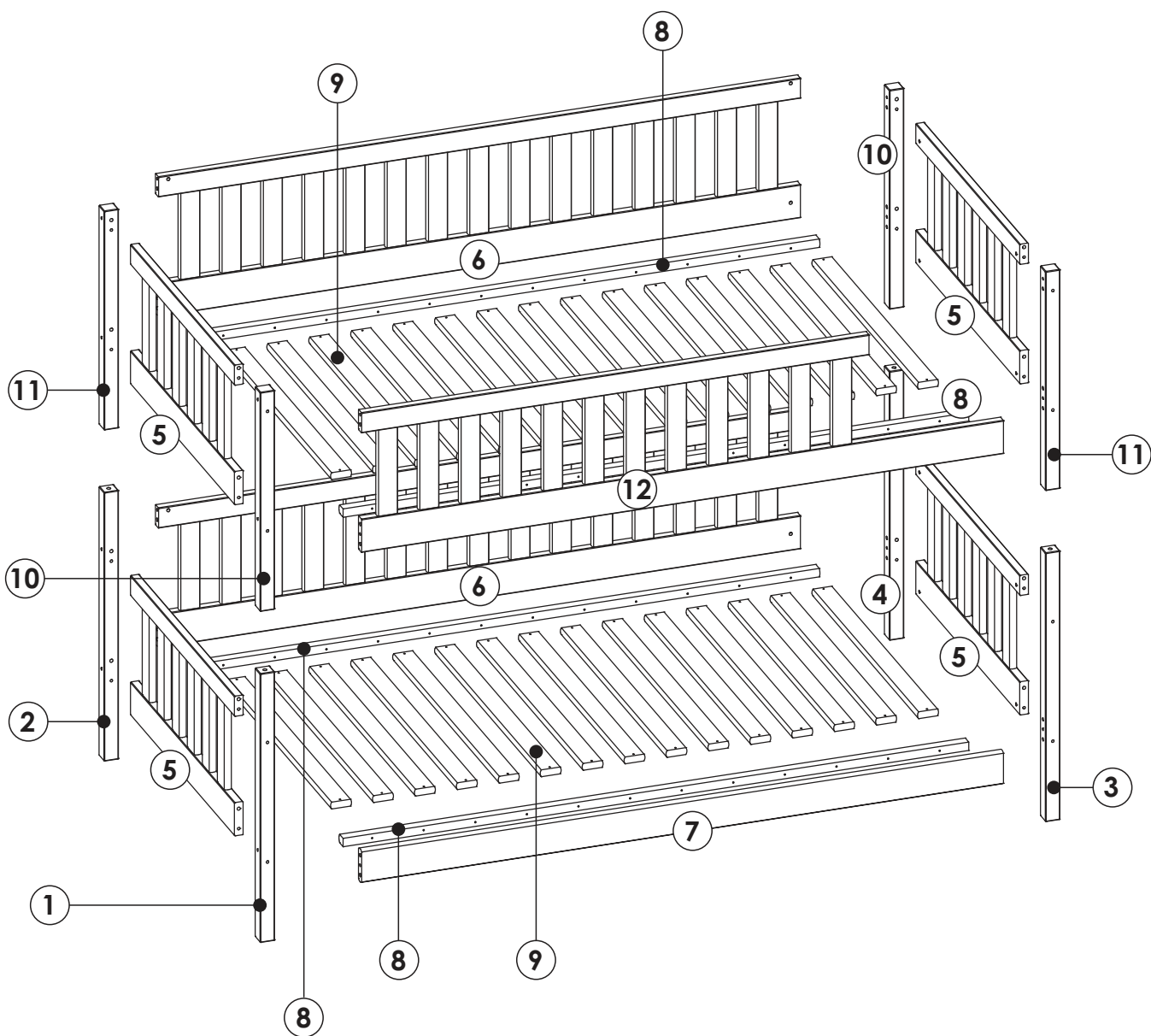
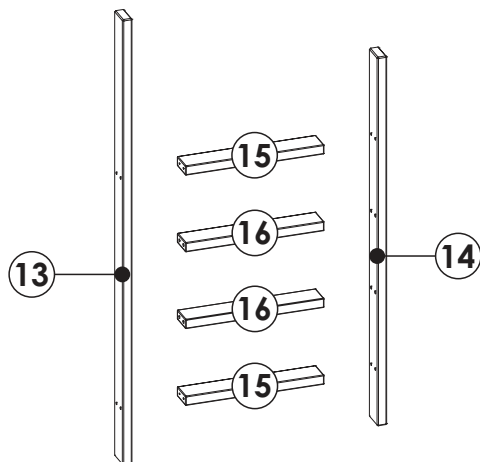
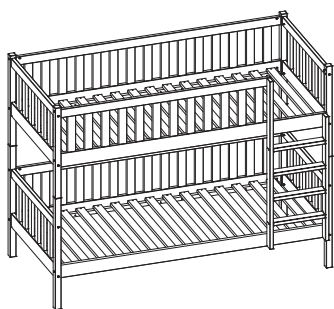


150 min





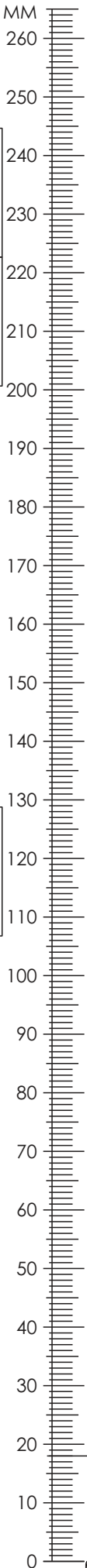
# MATEUSZ

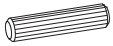
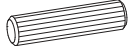
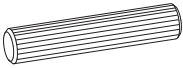


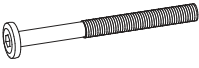




# MATEUSZ


DPL <b>1</b>	864	45	45	x1	MNDPL_01550
DTL <b>2</b>	864	45	45	x1	MNDTL_01530
DPP <b>3</b>	864	45	45	x1	MNDPP_01560
DTP <b>4</b>	864	45	45	x1	MNDTP_01540
PBP <b>5</b>	685, 785, 885, 985	449	27	x4	PS_00470 DP_00480 DPT65_01110
PDT <b>6</b>	1390, 1590, 1690, 1790, 1890, 1990	449	27	x2	PS_00470 DPDC_00670 DPDC_00680
DN <b>7</b>	1390, 1590, 1690, 1790, 1890, 1990	107	27	x1	DN_00110
LS <b>8</b>	1340, 1540, 1640, 1740, 1840, 1940	35	27	x4	LS_00160
NGL <b>10</b>	704	45	45	x2	MNGTL_02920
NGP <b>11</b>	704	45	45	x2	MNGTP_02930
PDP <b>12</b>	1390, 1590, 1690, 1790, 1890, 1990	449	27	x1	PS_00470 DPDC_00660 DPDC_00670
P4S <b>13</b>	1305	65	27	x1	DDP4S_00630
P4S <b>14</b>	965	65	27	x1	DDP4S_00620
DSS <b>15</b>	390	65	27	x2	DSS_00210
DSK <b>16</b>	390	65	27	x2	DSK_00220


# MATEUSZ



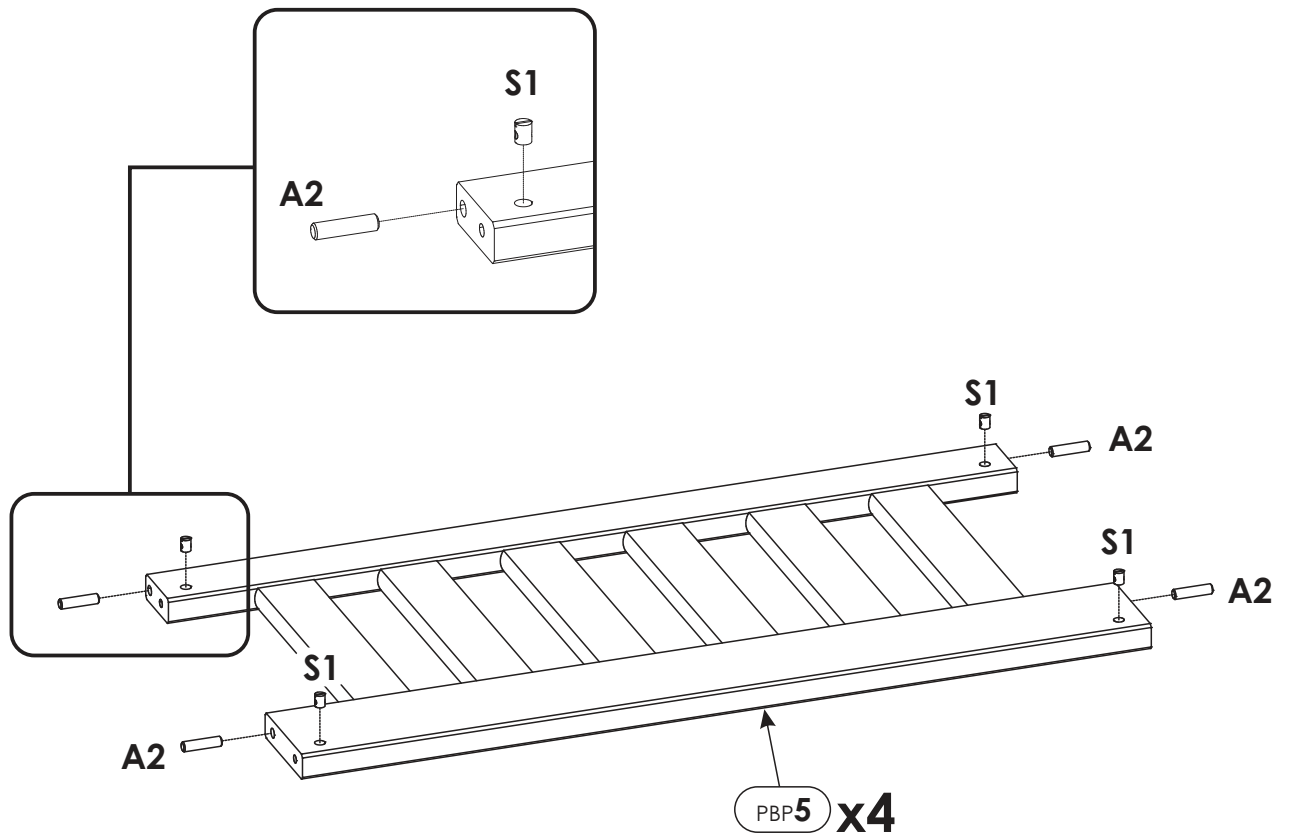
<p><b>A1</b> akc_0001</p>  <p>8 x 35 mm</p> <p style="text-align: right;"><b>x8</b></p>	<p><b>A2</b> akc_0002</p>  <p>10 x 40 mm</p> <p style="text-align: right;"><b>x37</b></p>	<p><b>A3</b> akc_0003</p>  <p>12 x 60 mm</p> <p style="text-align: right;"><b>x4</b></p>
<p><b>K1</b> akc_0004</p>  <p>6,4 x 50 mm</p> <p style="text-align: right;"><b>x8</b></p>	<p><b>M</b> akc_0005</p>  <p style="text-align: right;"><b>x1</b></p>	<p><b>N1</b> akc_0006</p>  <p>6 x 80 mm</p> <p style="text-align: right;"><b>x29</b></p>
<p><b>S1</b> akc_0008</p>  <p>10 x 16 mm</p> <p style="text-align: right;"><b>x29</b></p>	<p><b>W4</b> akc_0012</p>  <p>4 x 60 mm</p> <p style="text-align: right;"><b>x5</b></p>	

----- **OPTION** -----

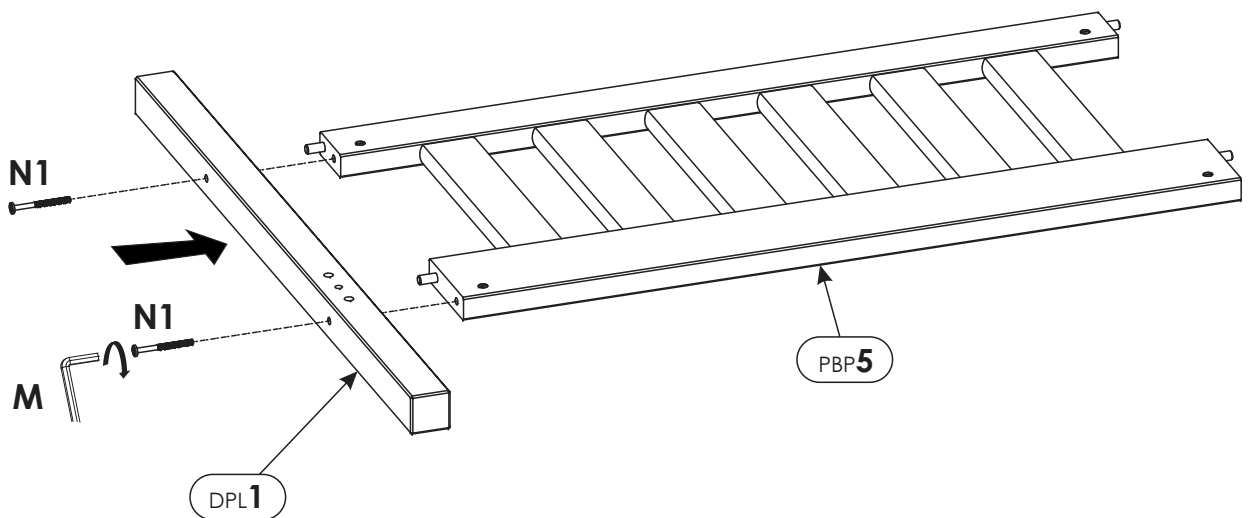
<p><b>W1</b> akc_0009</p>  <p>3,5 x 40 mm</p> <p style="text-align: right;"><b>40 &lt; x &lt; 60</b></p>
---

<p><b>W3</b> akc_0011</p>  <p>4 x 50 mm</p> <p style="text-align: right;"><b>40 &lt; x &lt; 48</b></p>
---

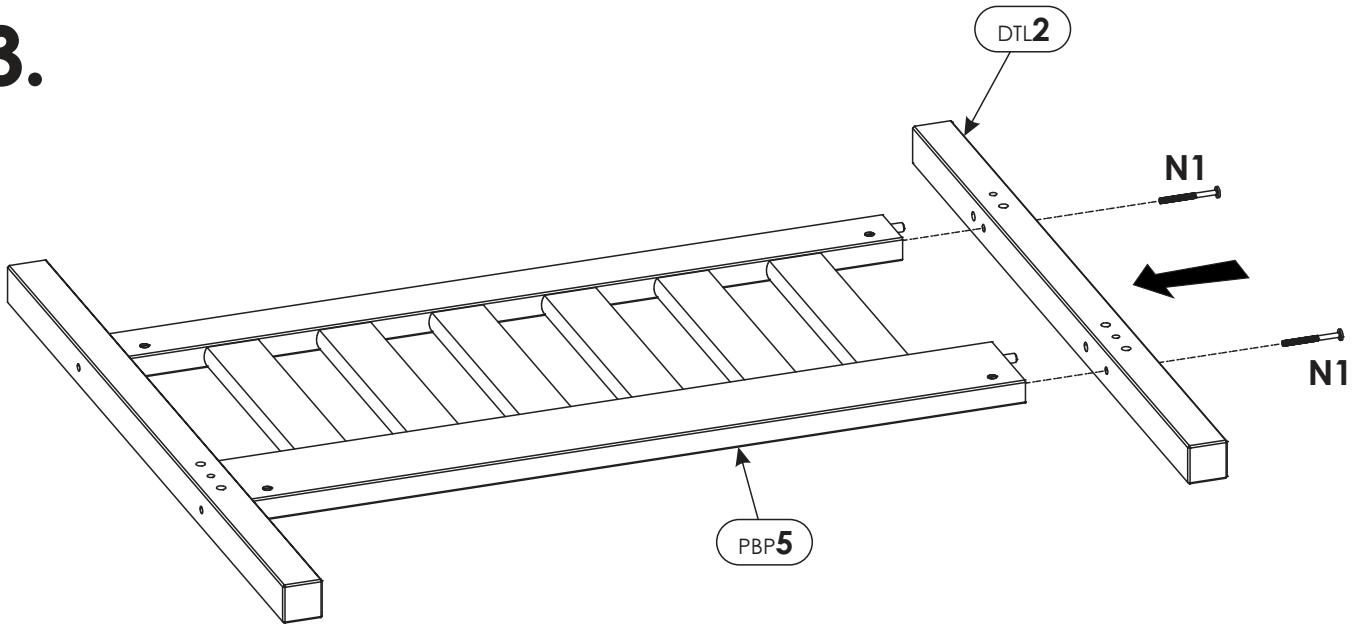
# 1.



# 2.

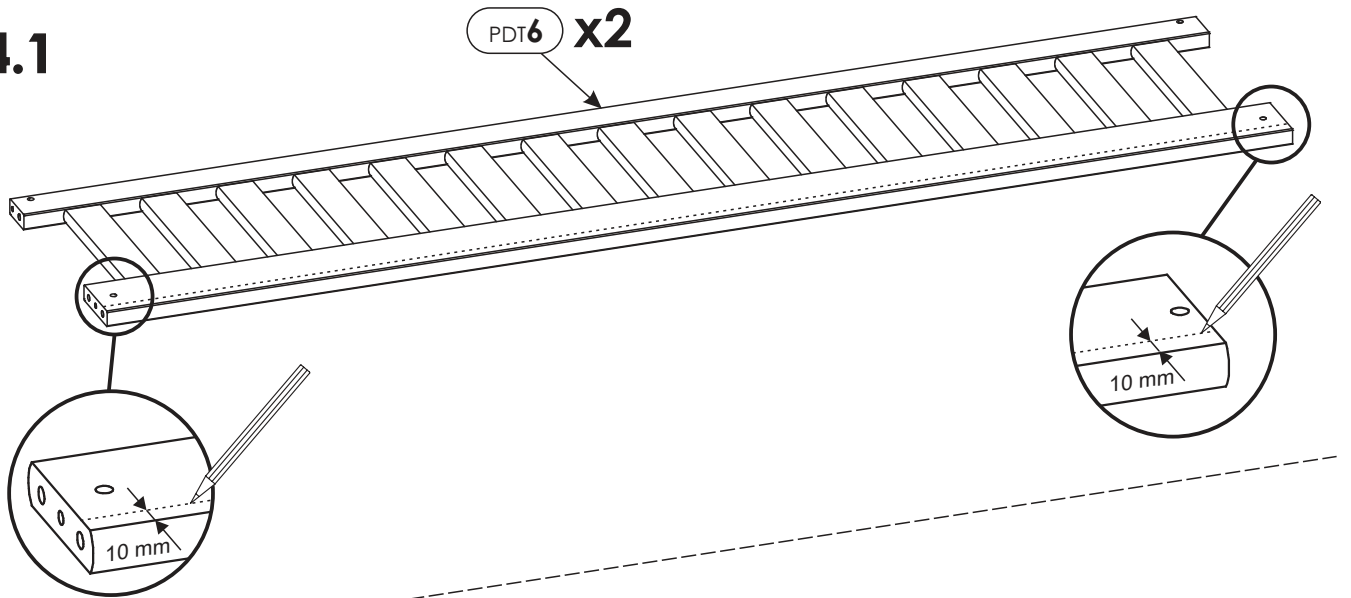


**3.**

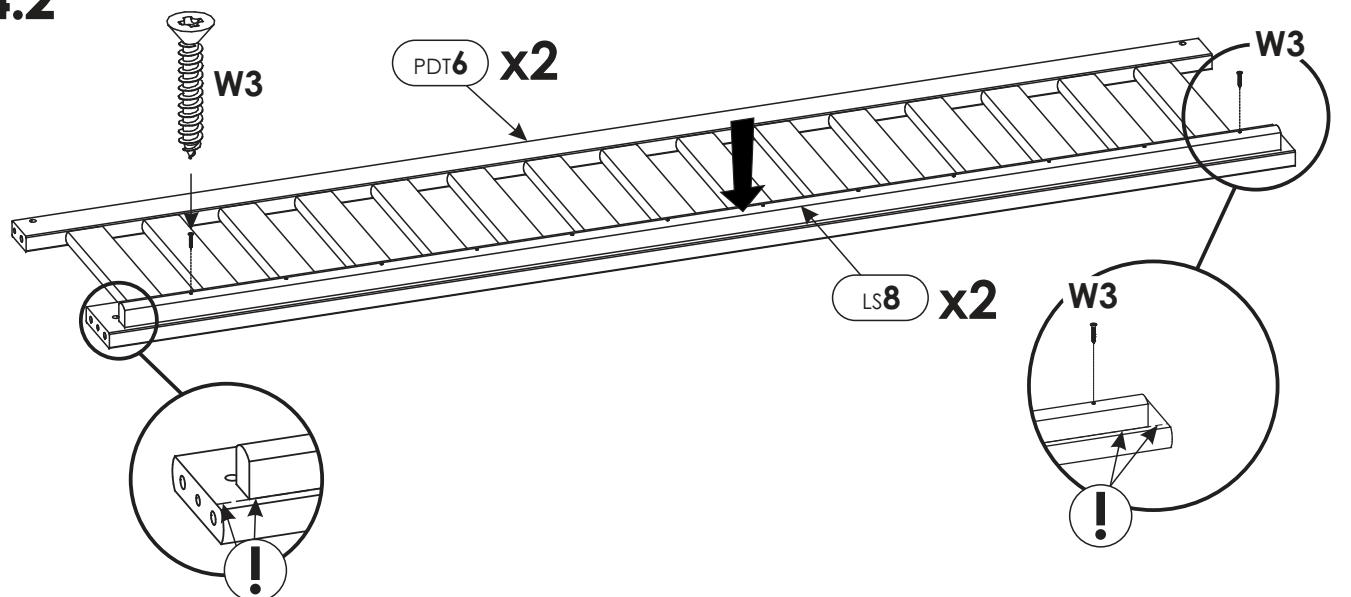


**4.**

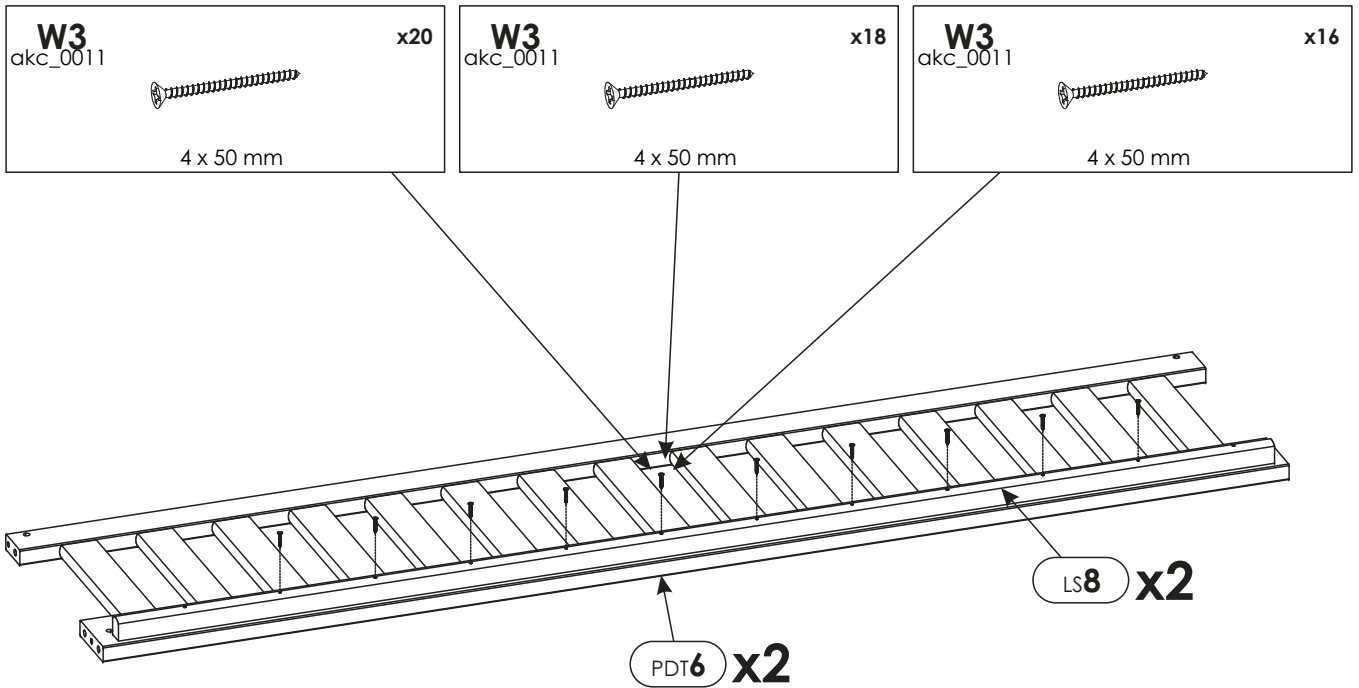
**4.1**



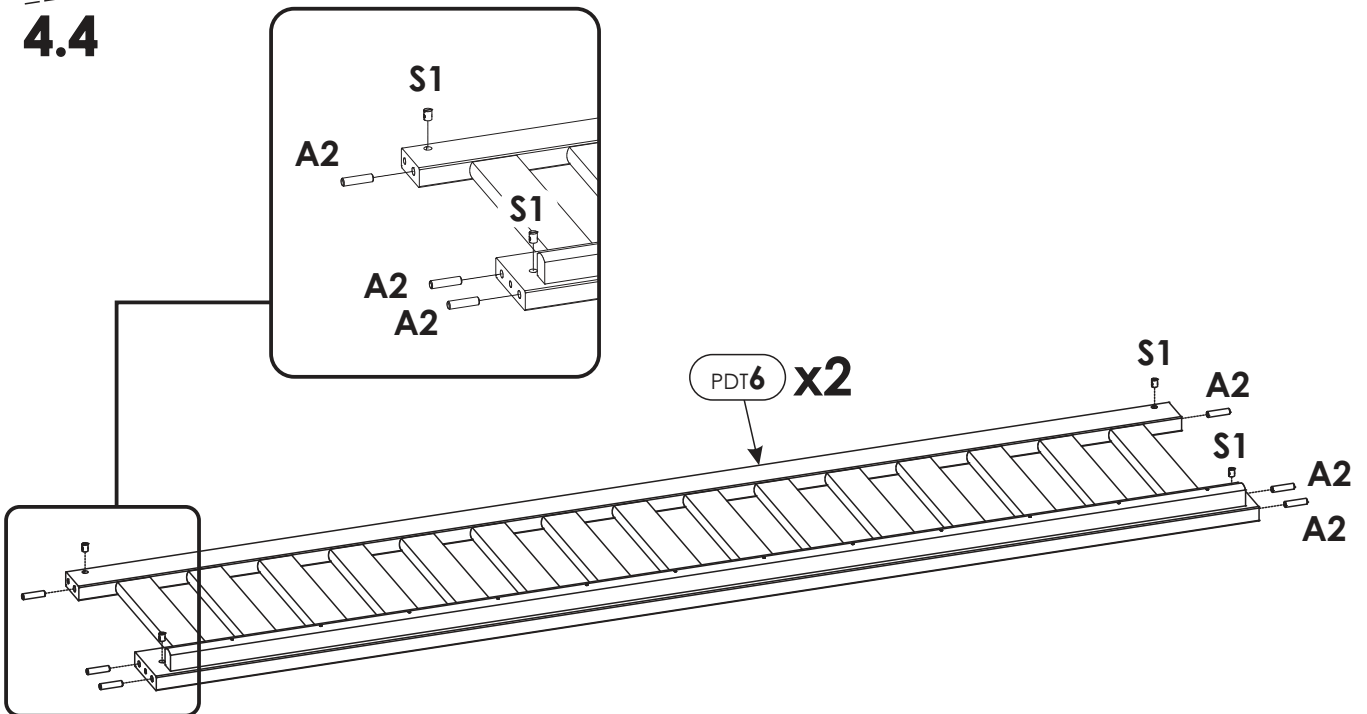
**4.2**



### 4.3

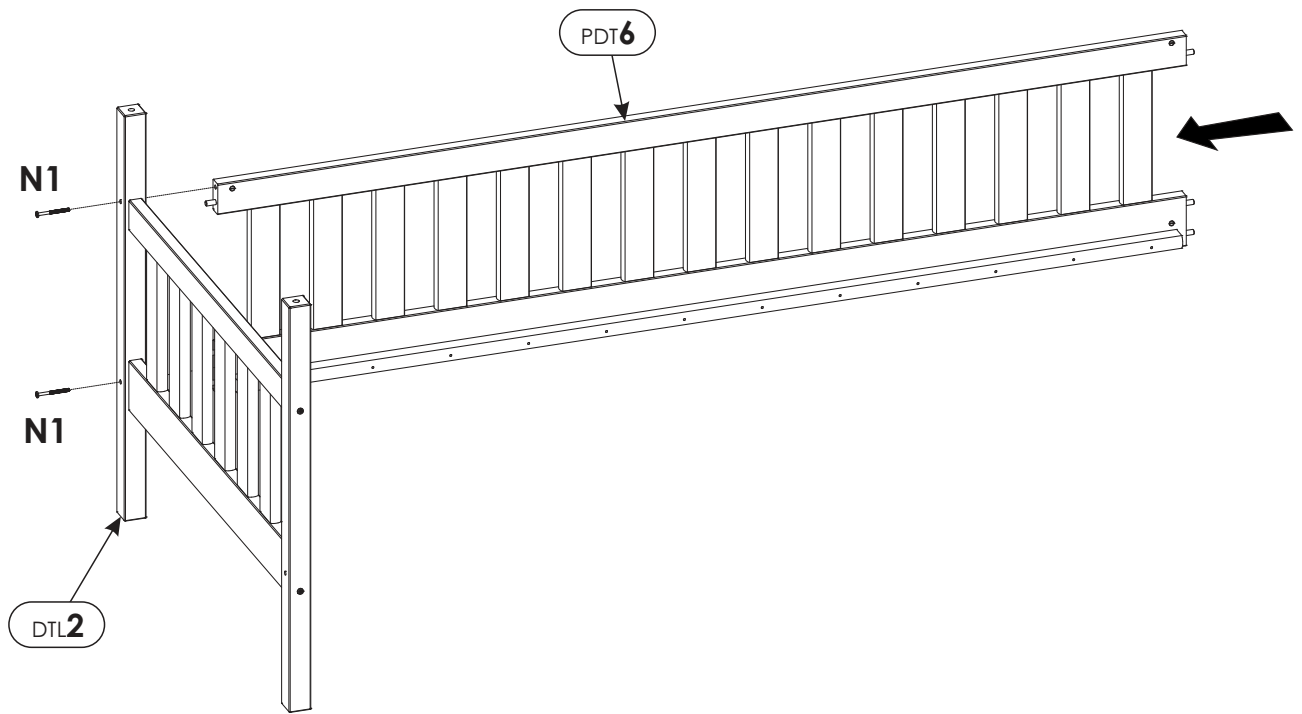



### 4.4



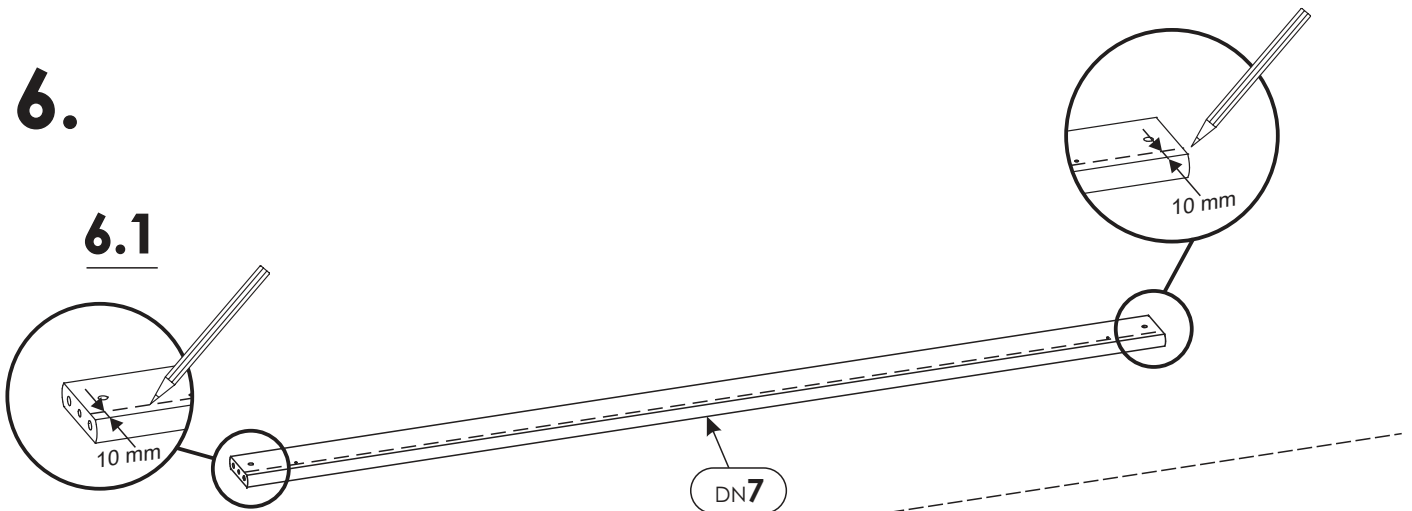


# 5.

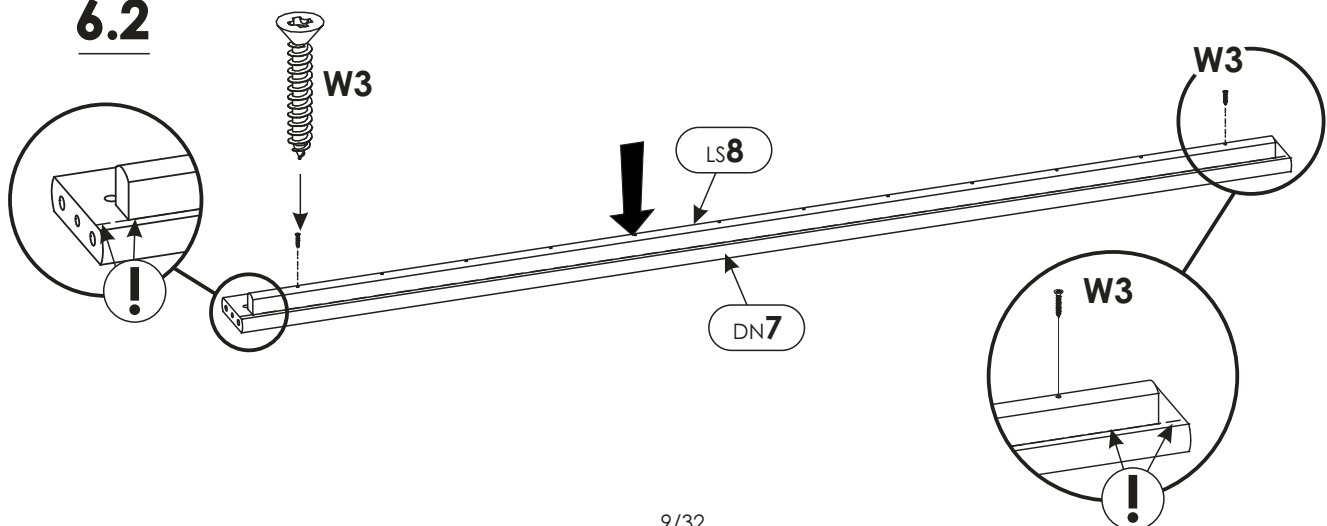


# 6.

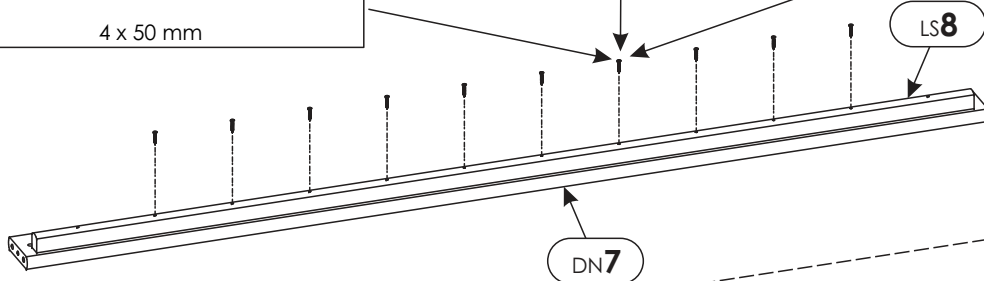
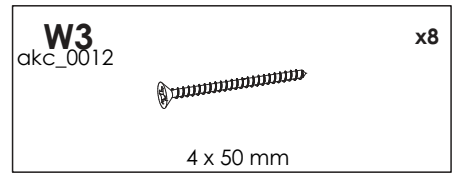
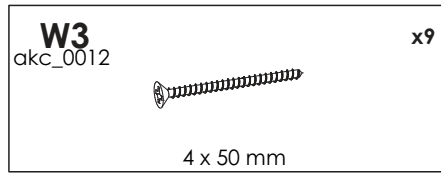
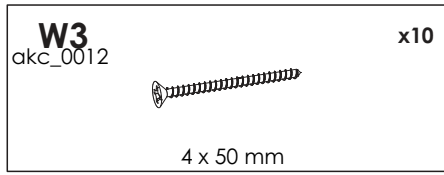
## 6.1



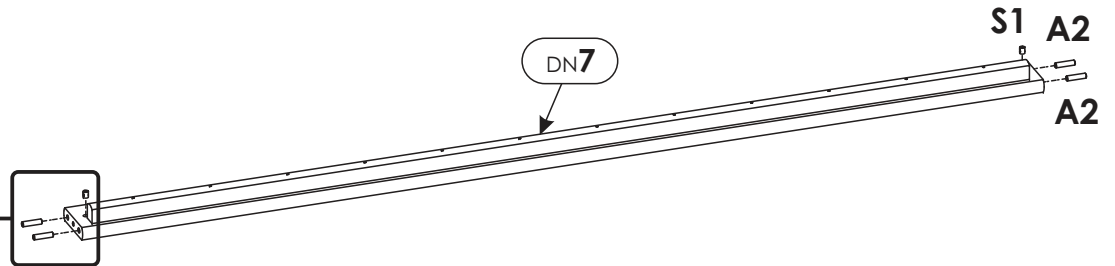
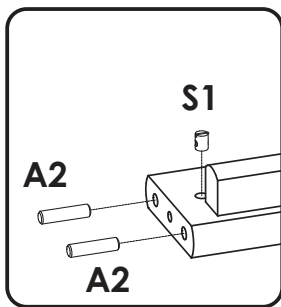
## 6.2



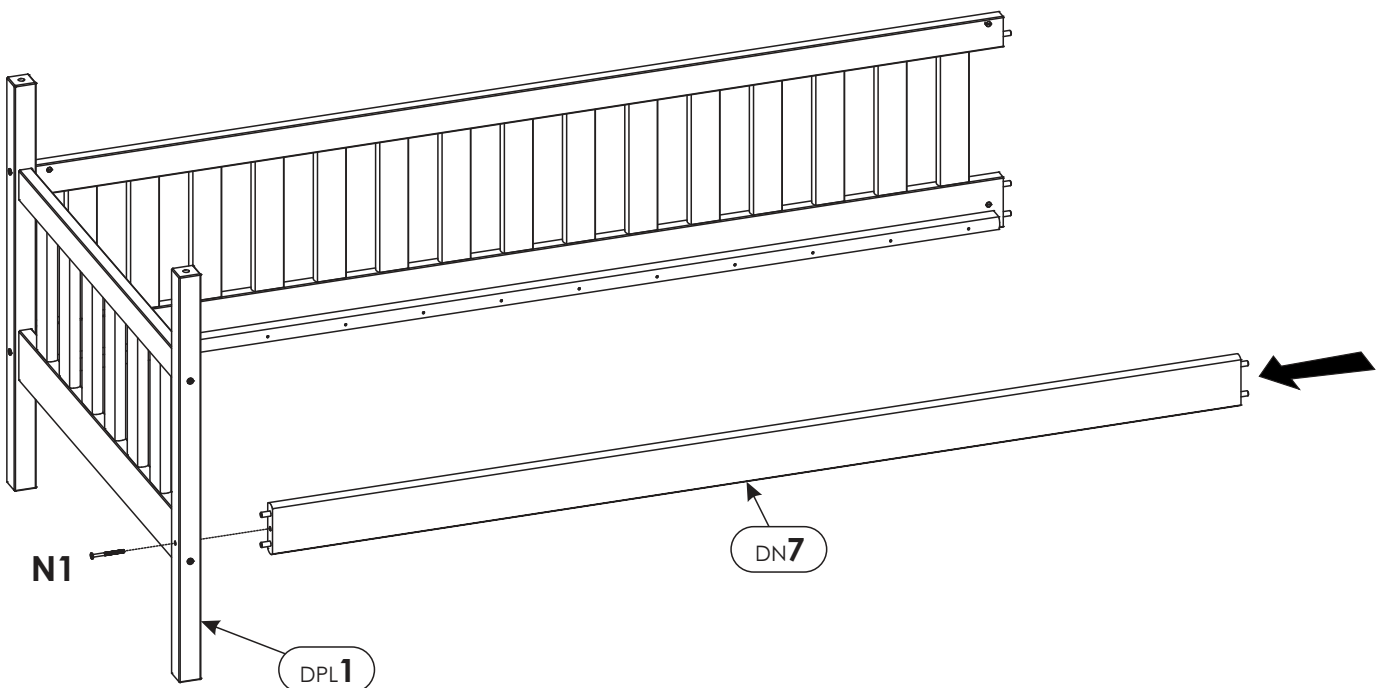
### 6.3



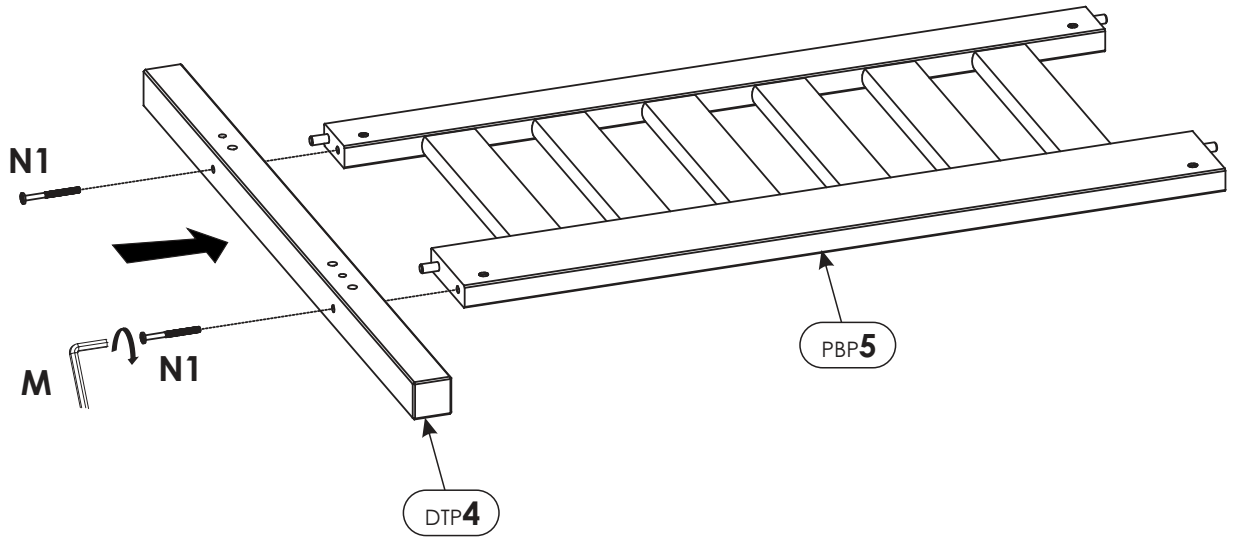
### 6.4



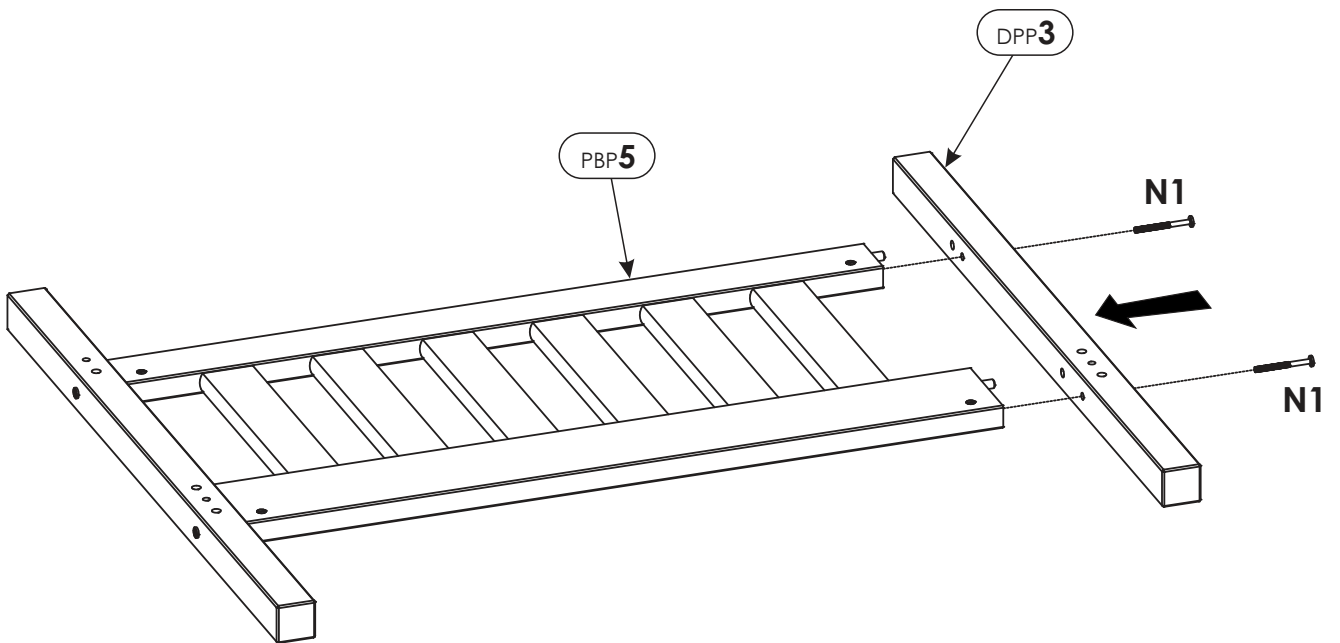
## 7.



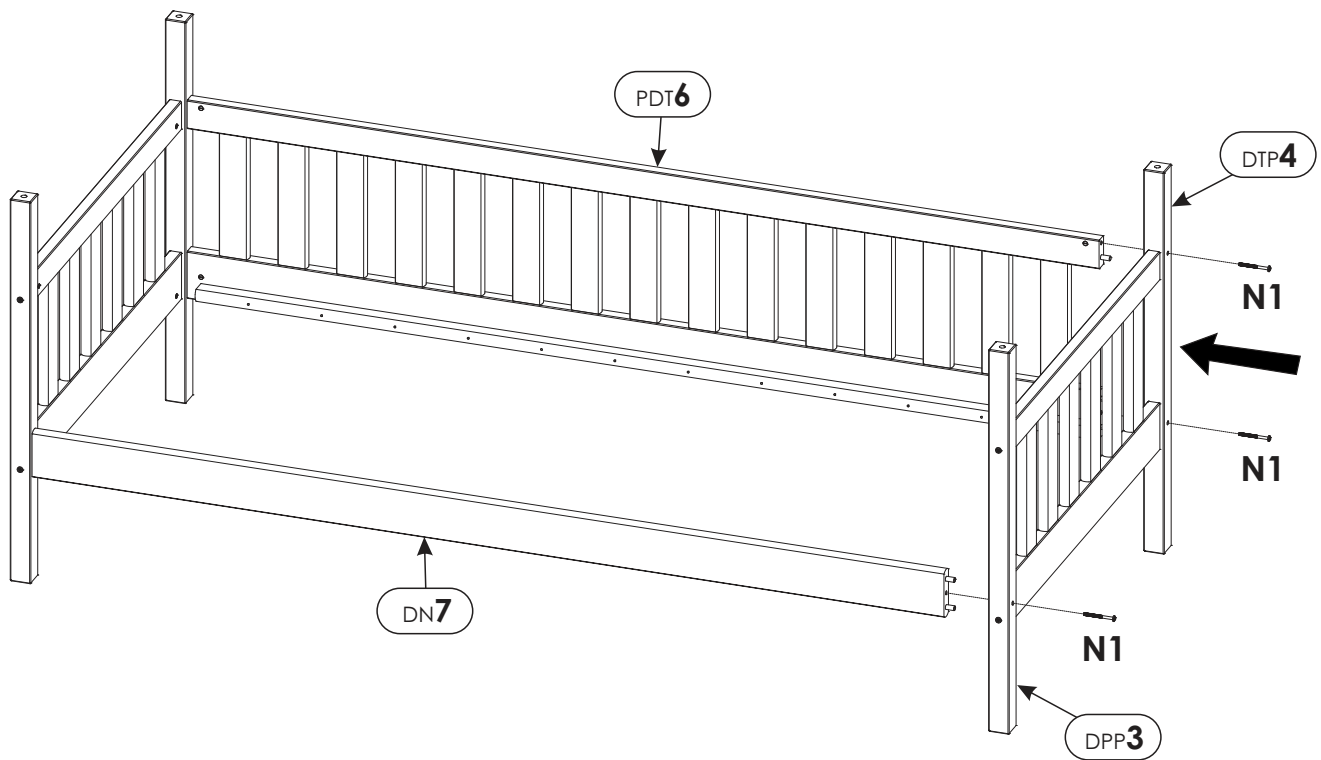
8.



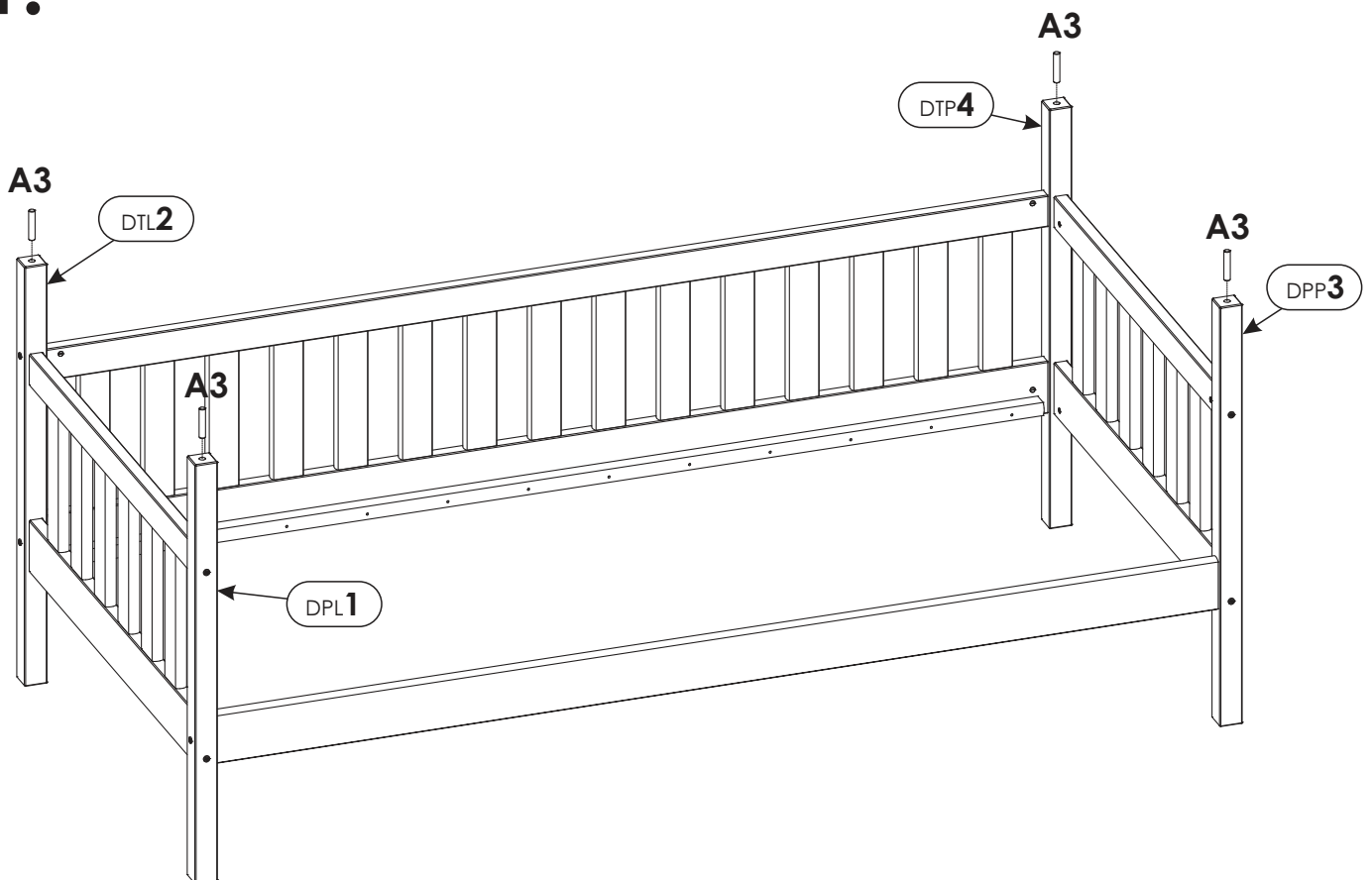
9.



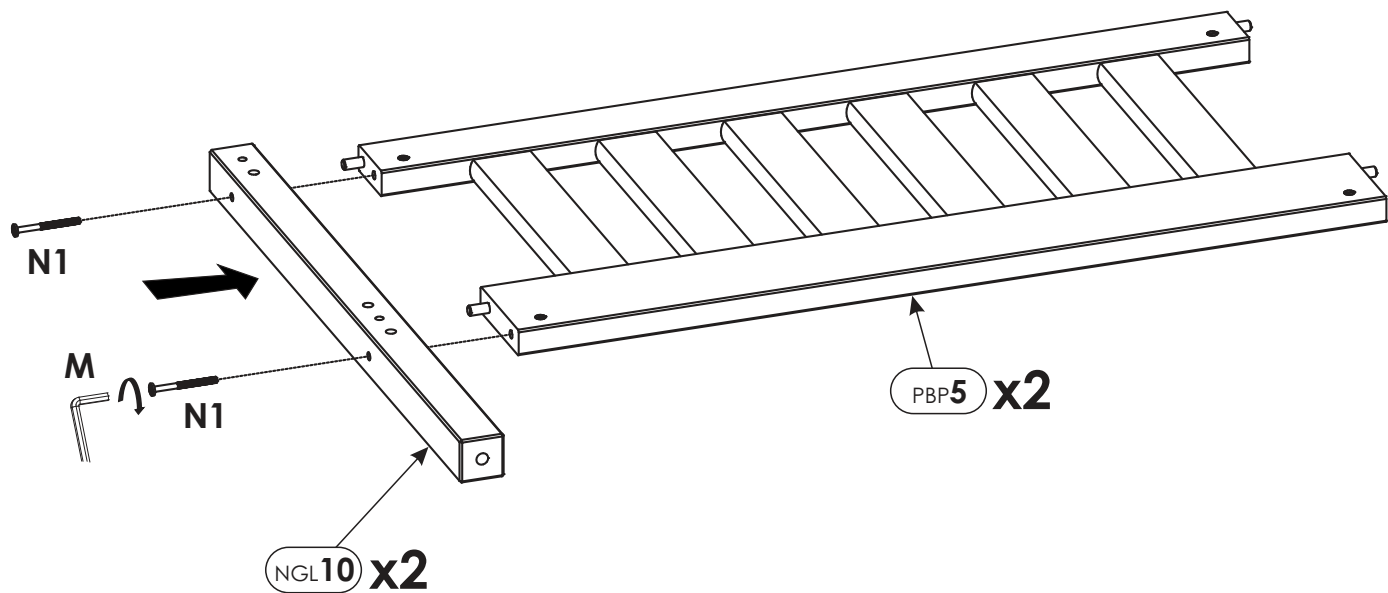
# 10.



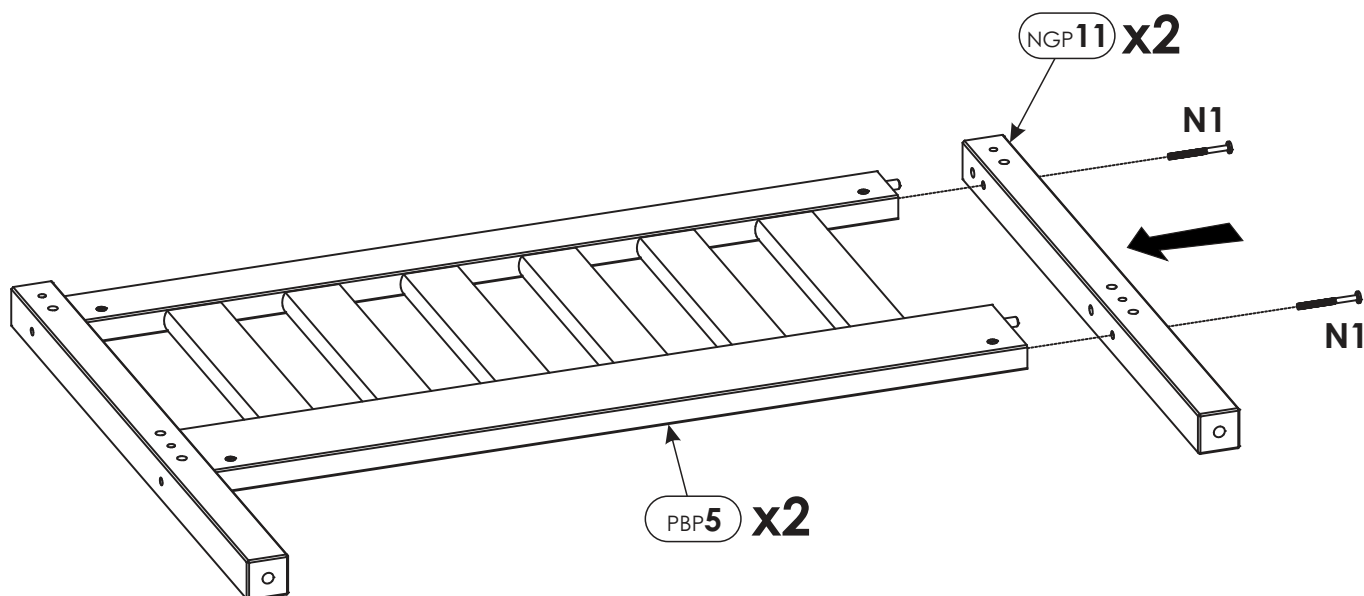
# 11.



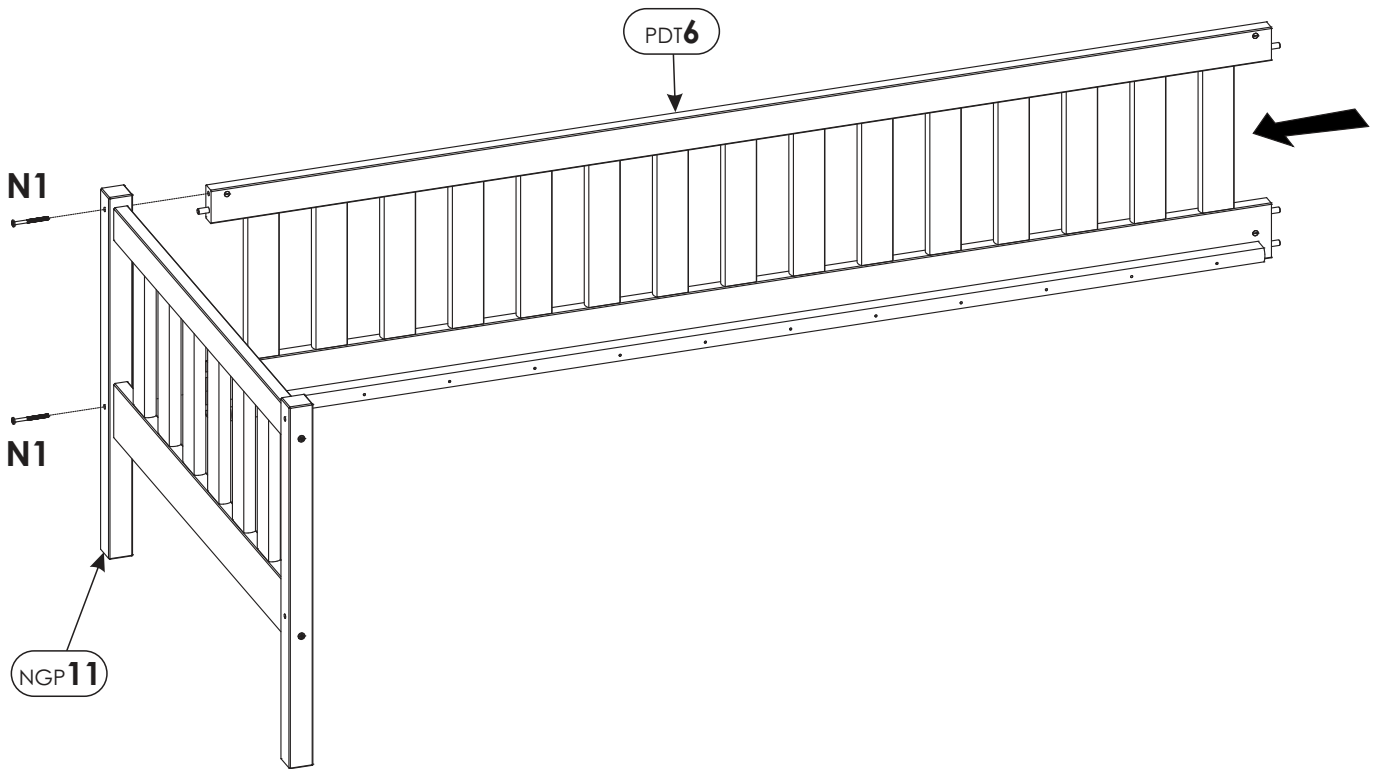
# 12.



# 13.



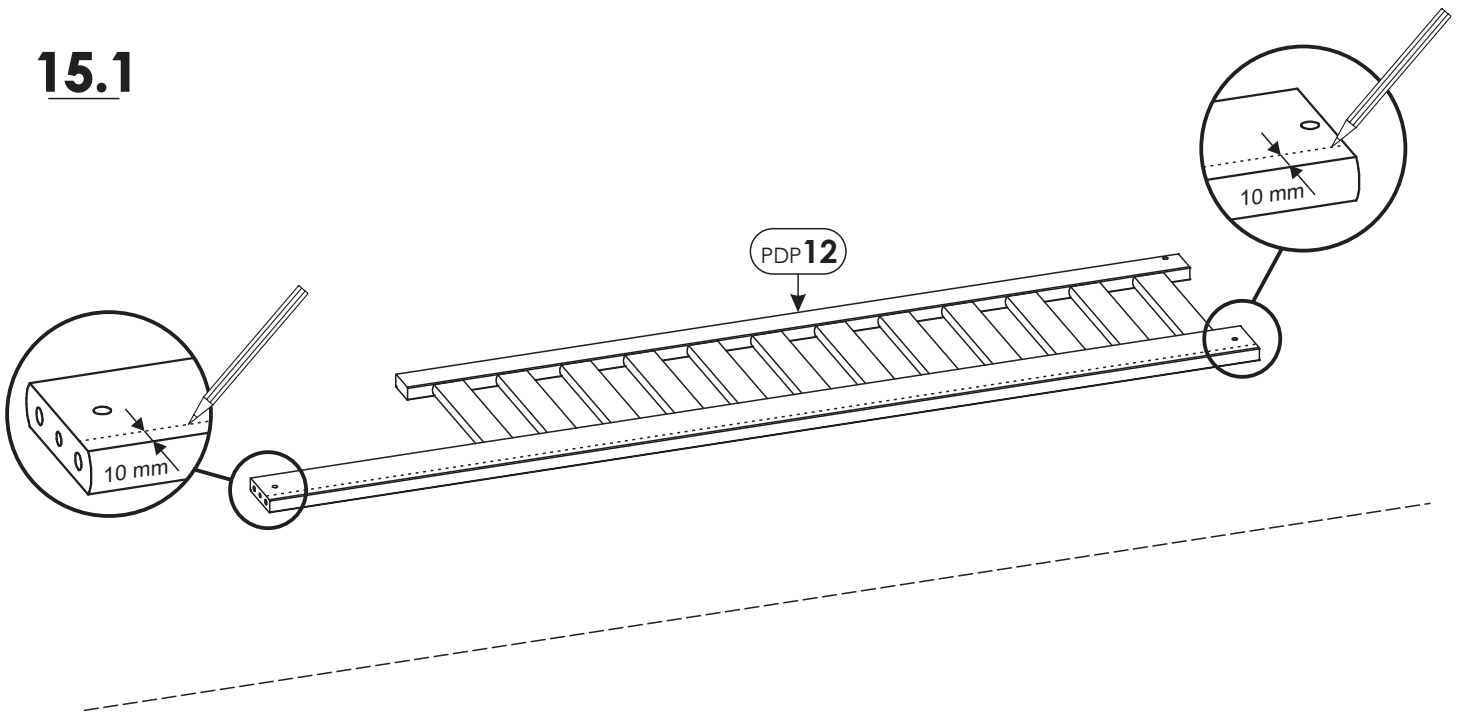
14.



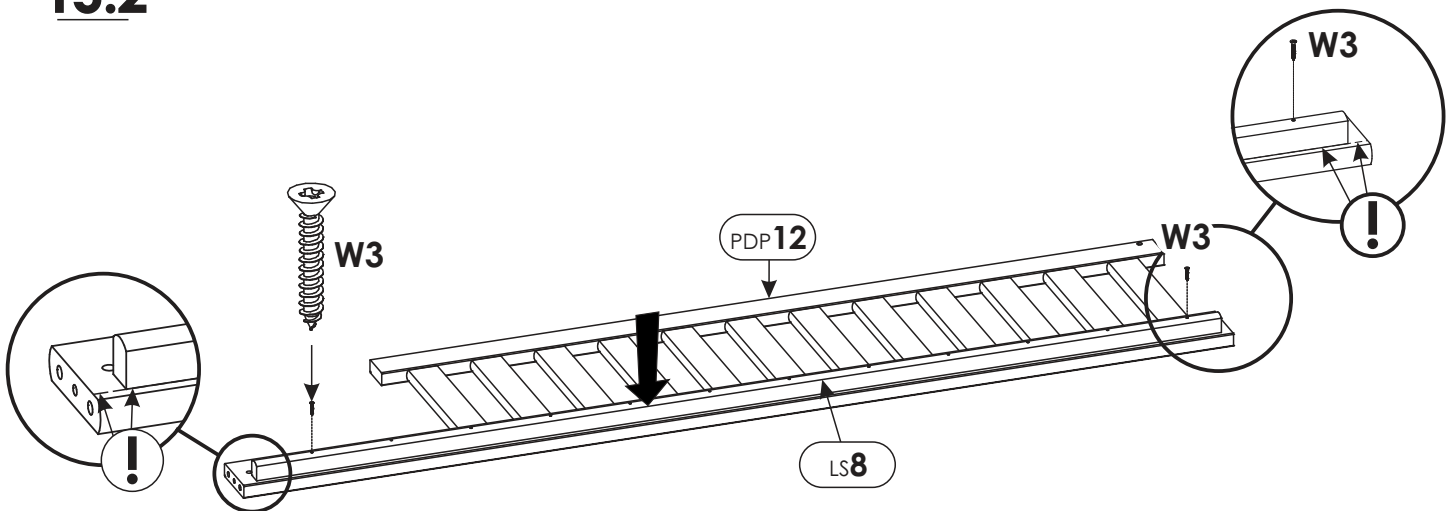
**15.**



**15.1**

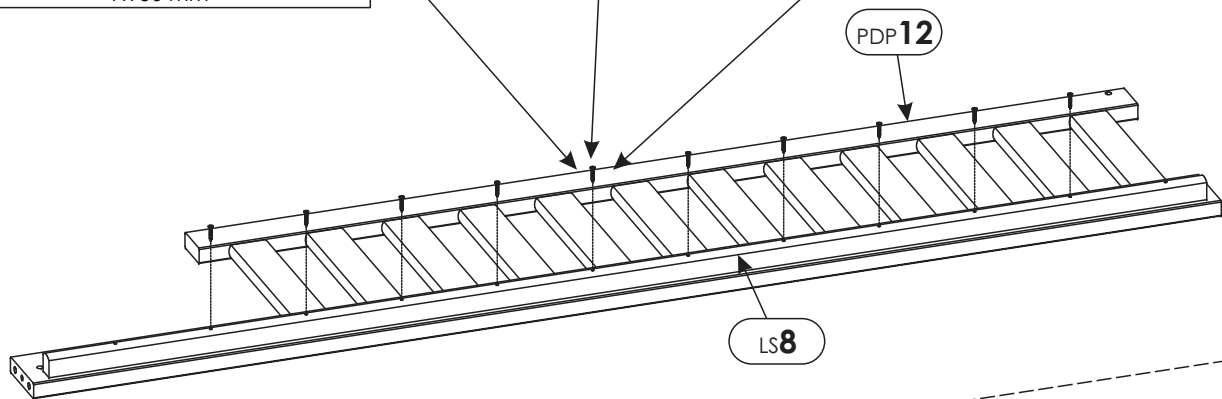
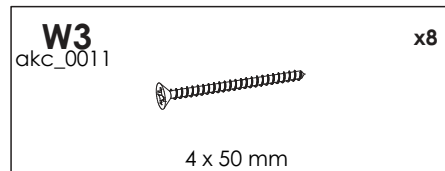
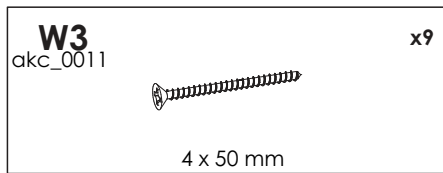
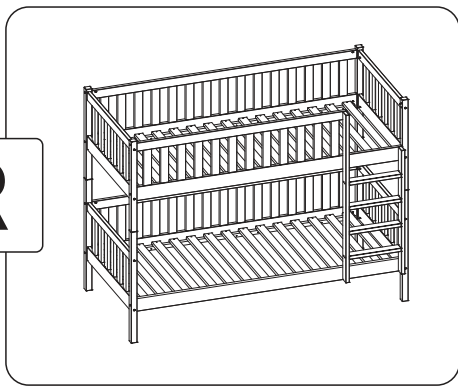


**15.2**



# 15.3

**R**



# 15.4

PDP12

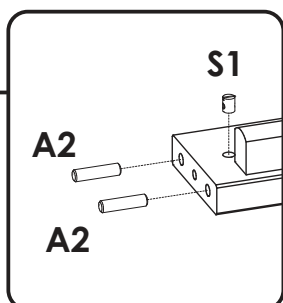
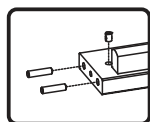
S1

A2

S1

A2

A2

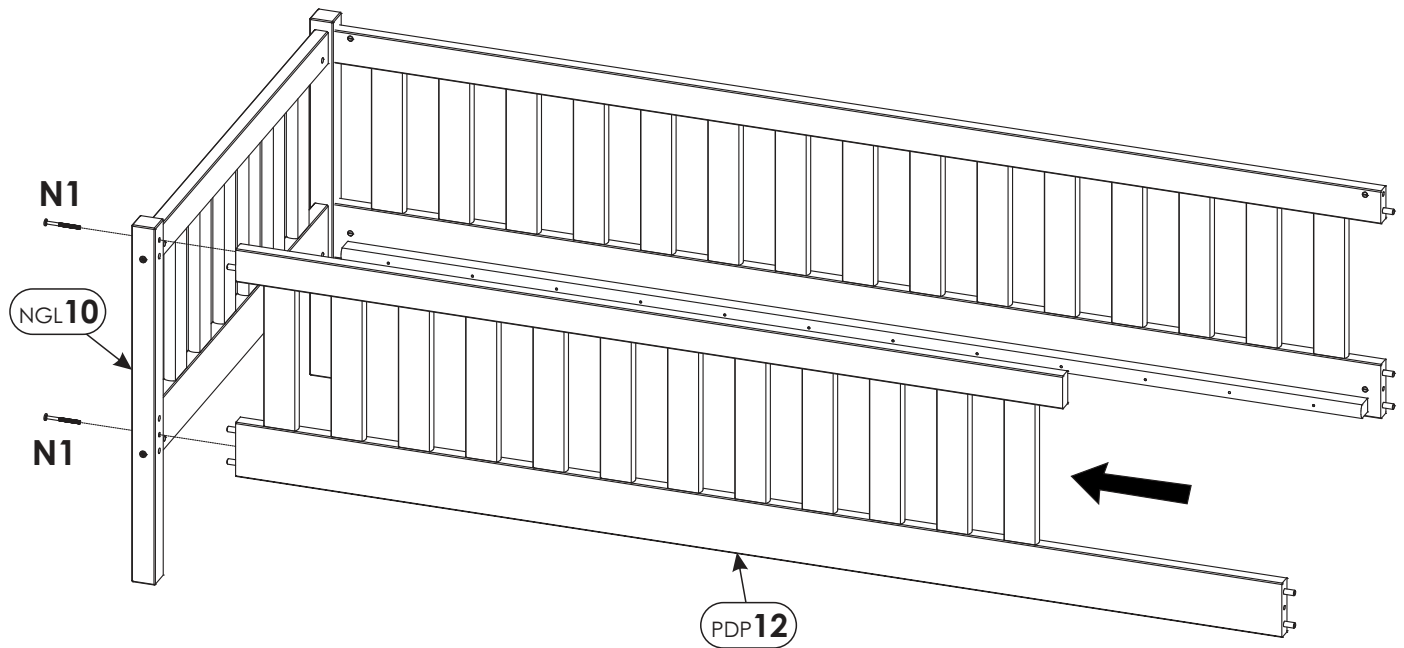
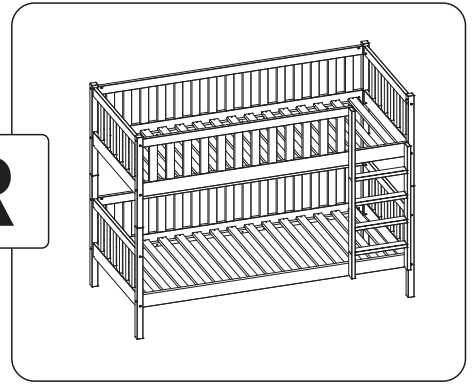




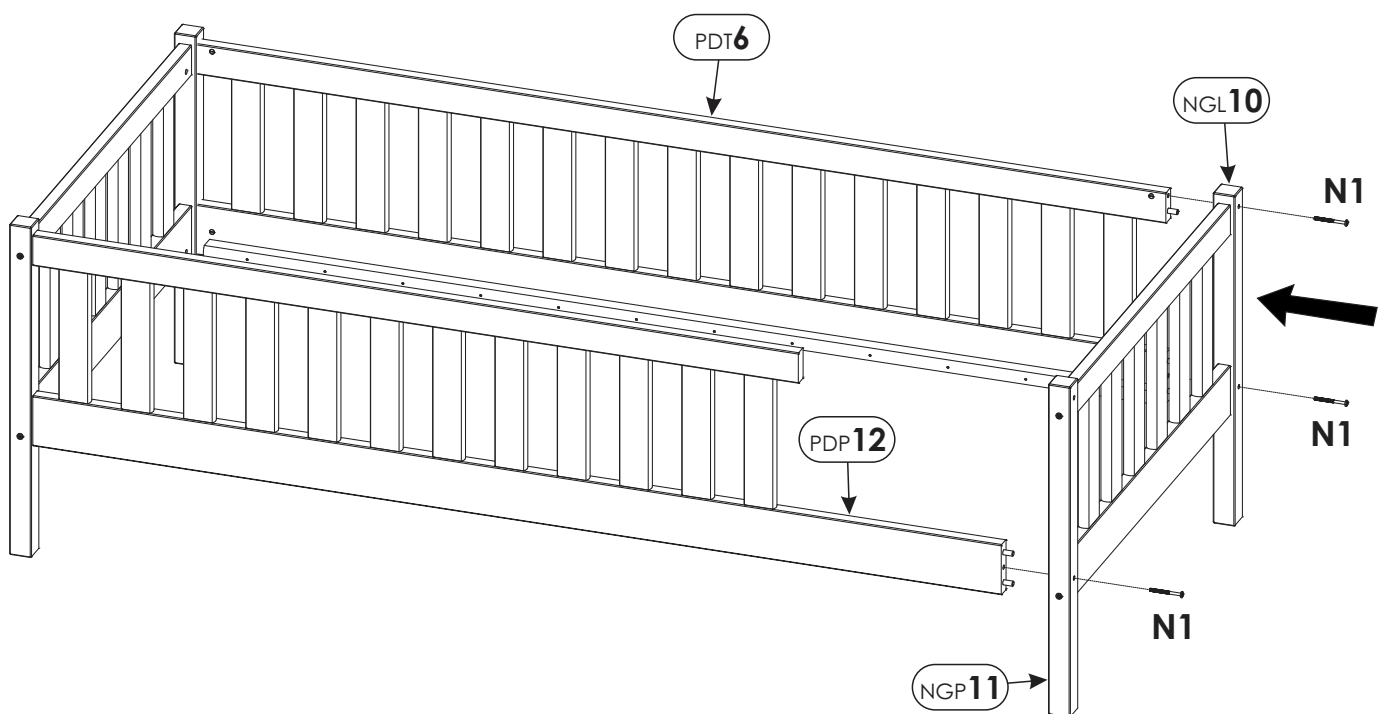
16.



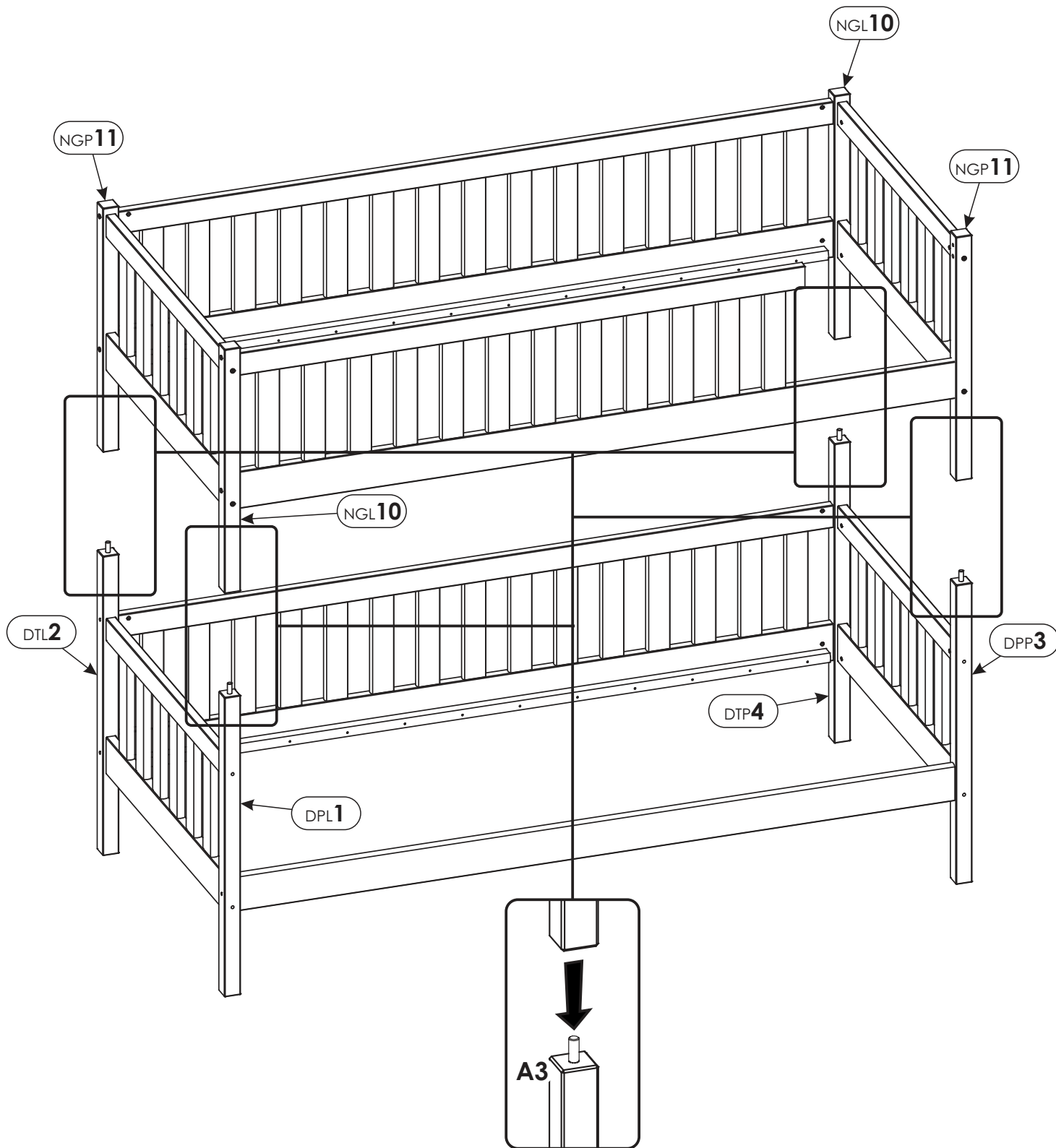
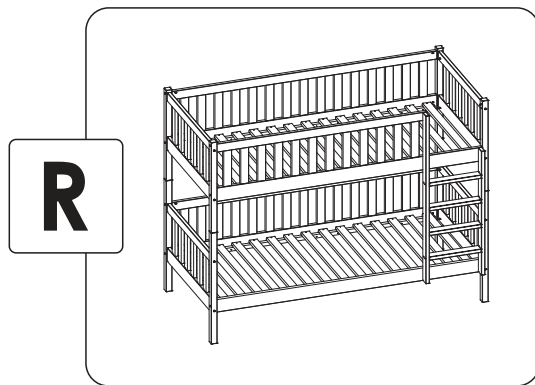
R



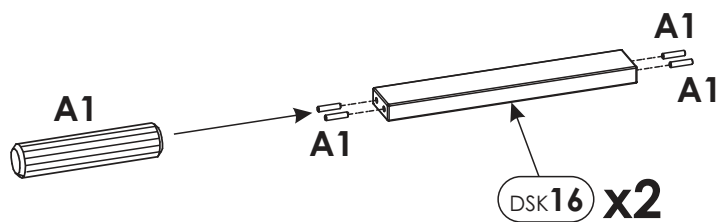
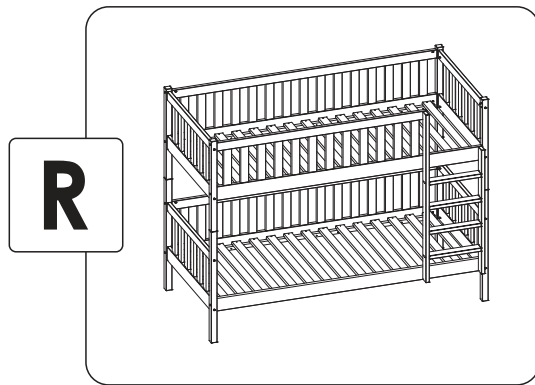
17.



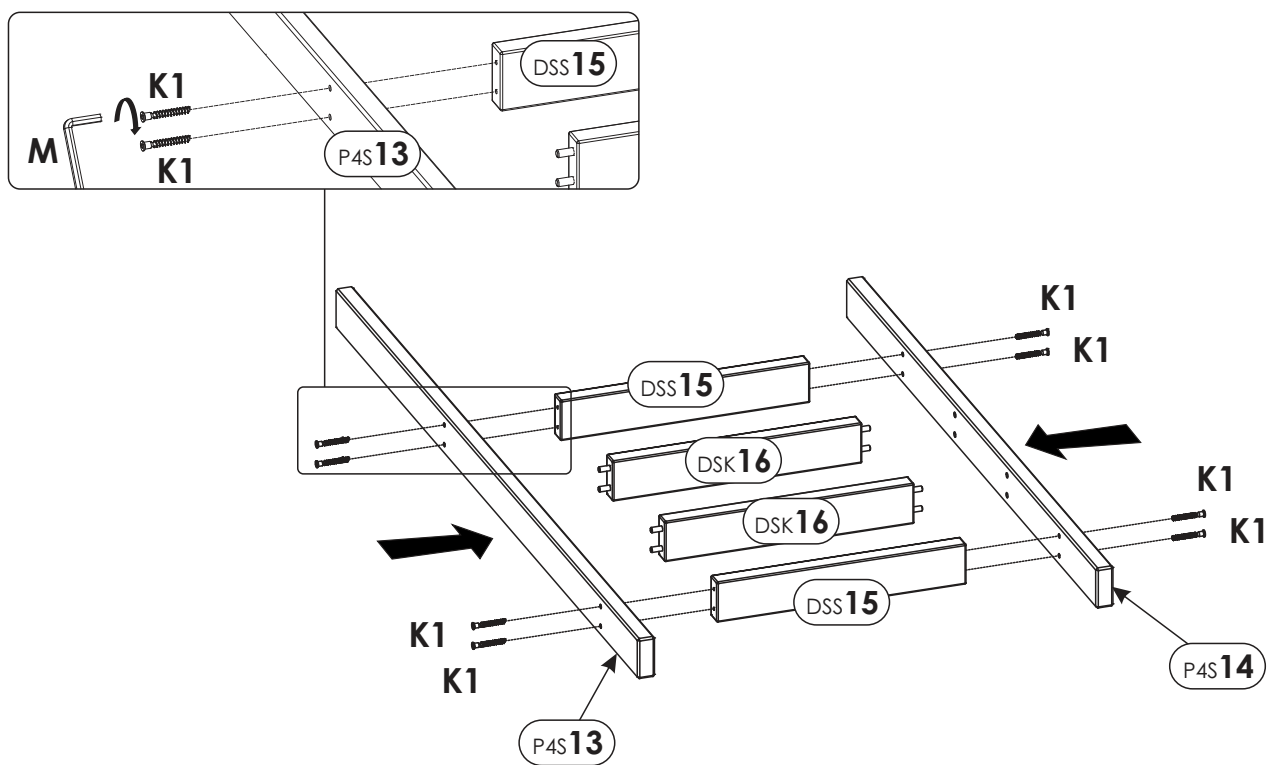
18.



# 19.

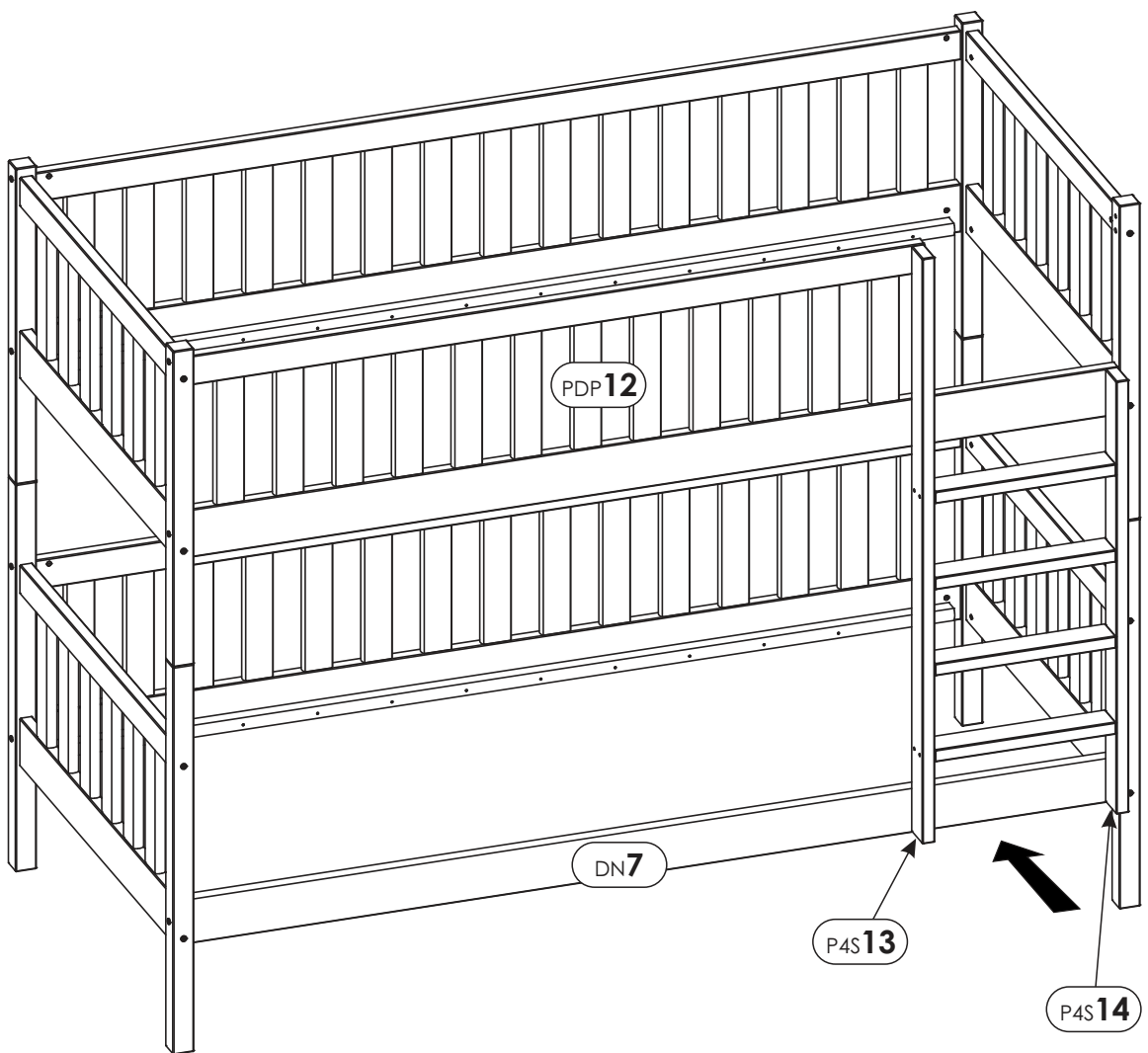
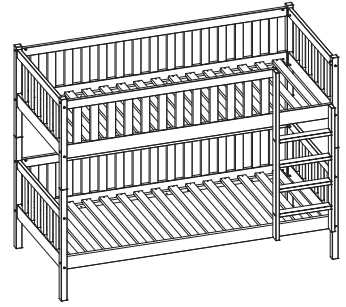


# 20.

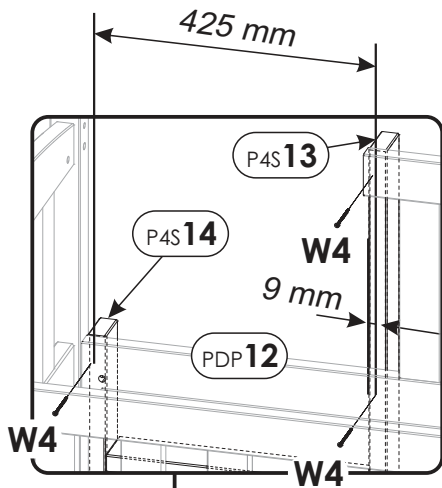


# 21.

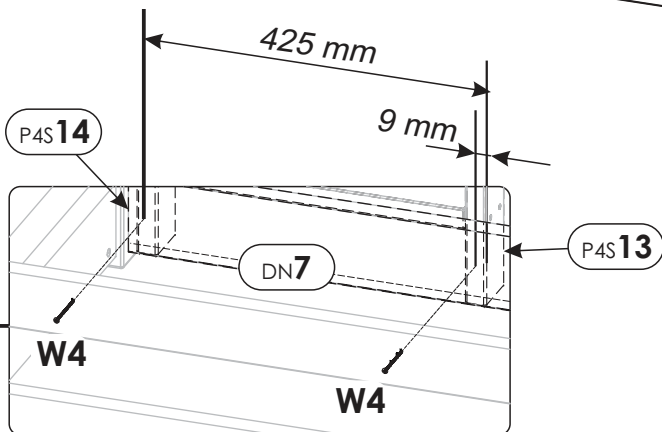
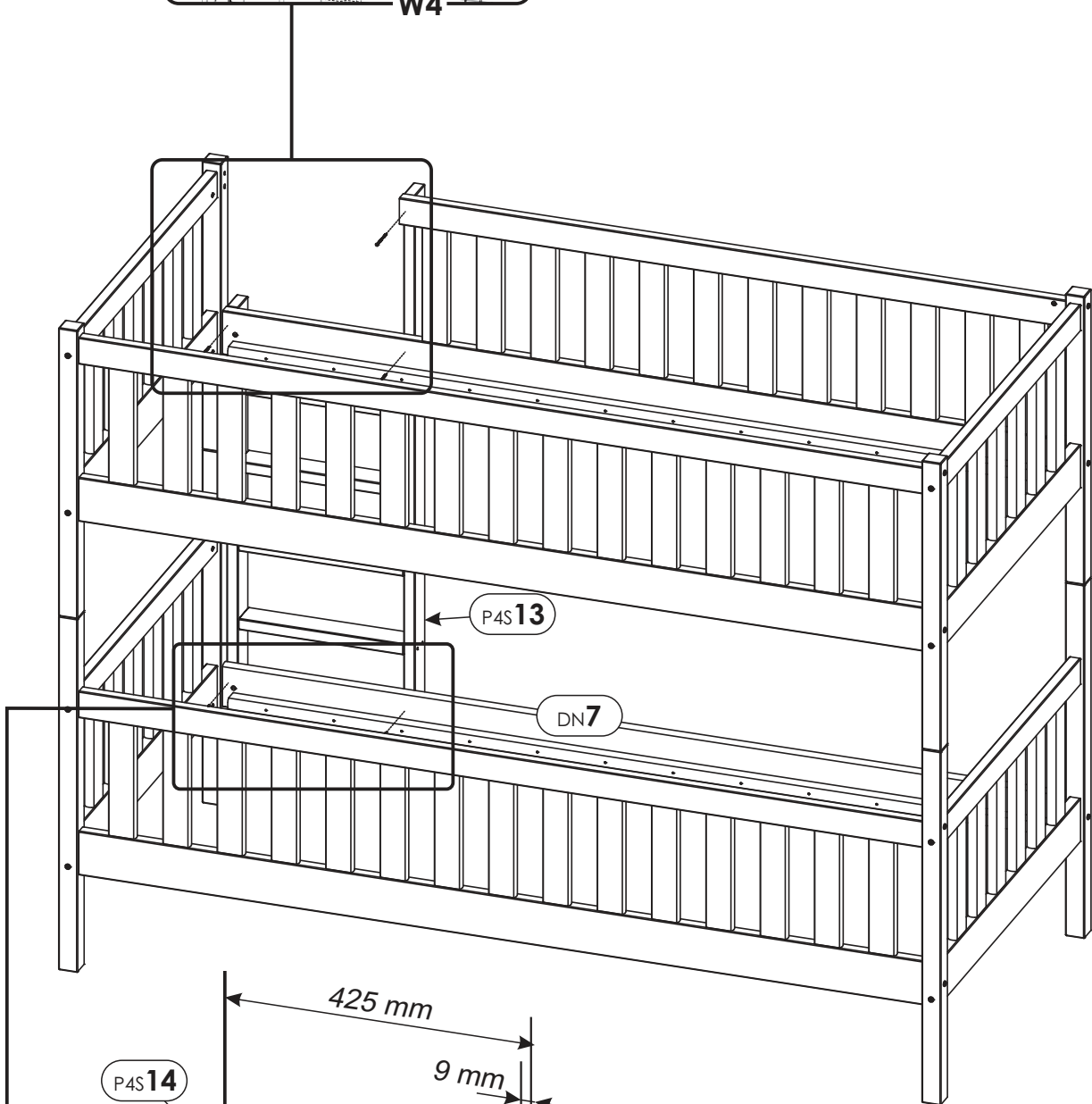
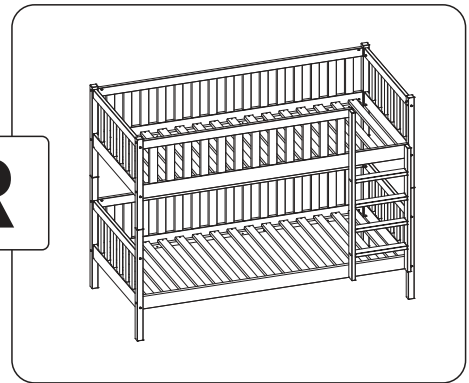
**R**



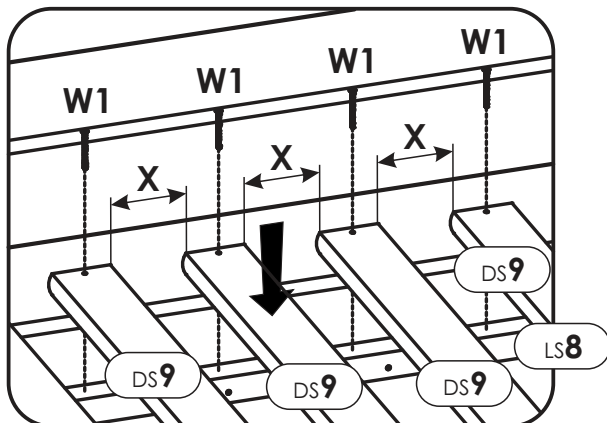
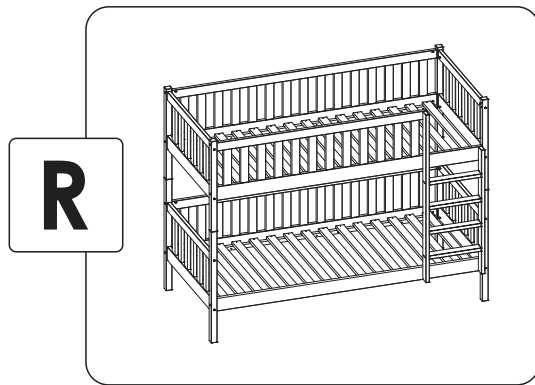
# 22.



# R

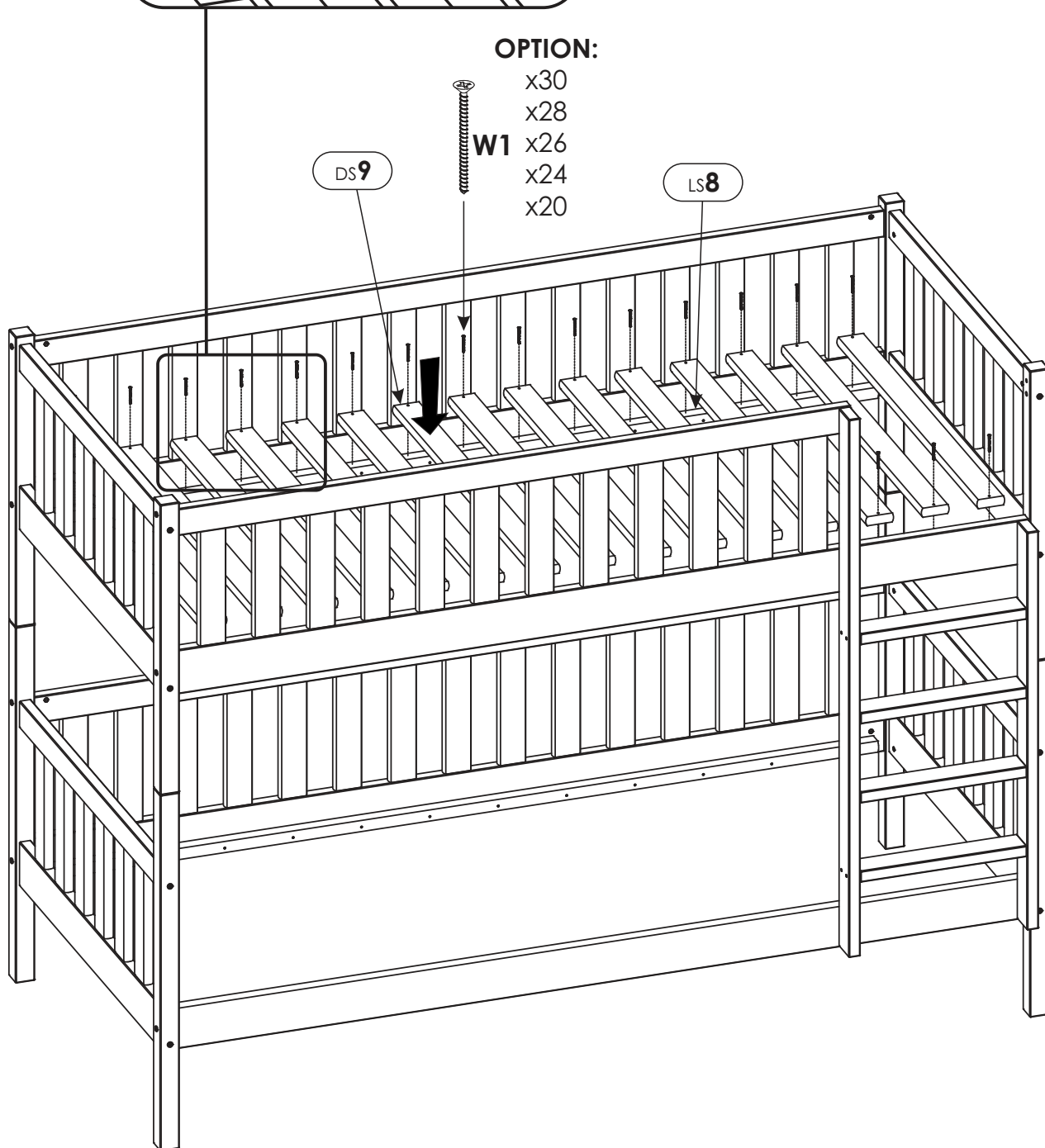


# 23.



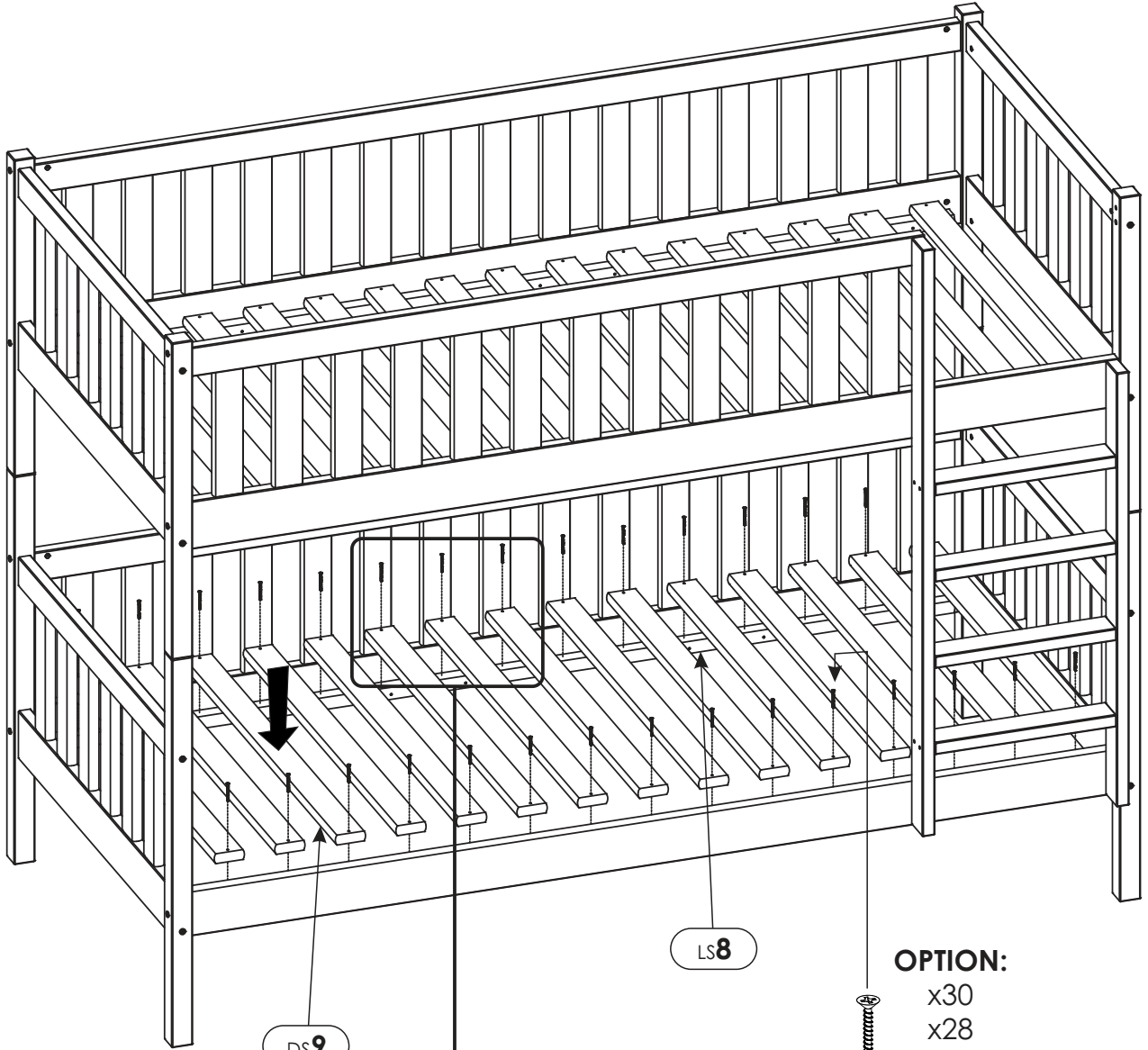
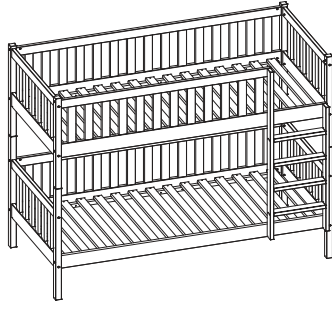
**OPTION:**

- x30
- x28
- W1** x26
- x24
- x20



24.

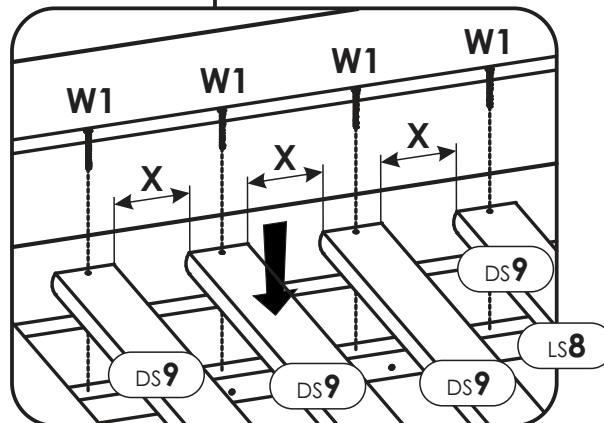
R



OPTION:

- x30
- x28
- x26
- x24
- x20

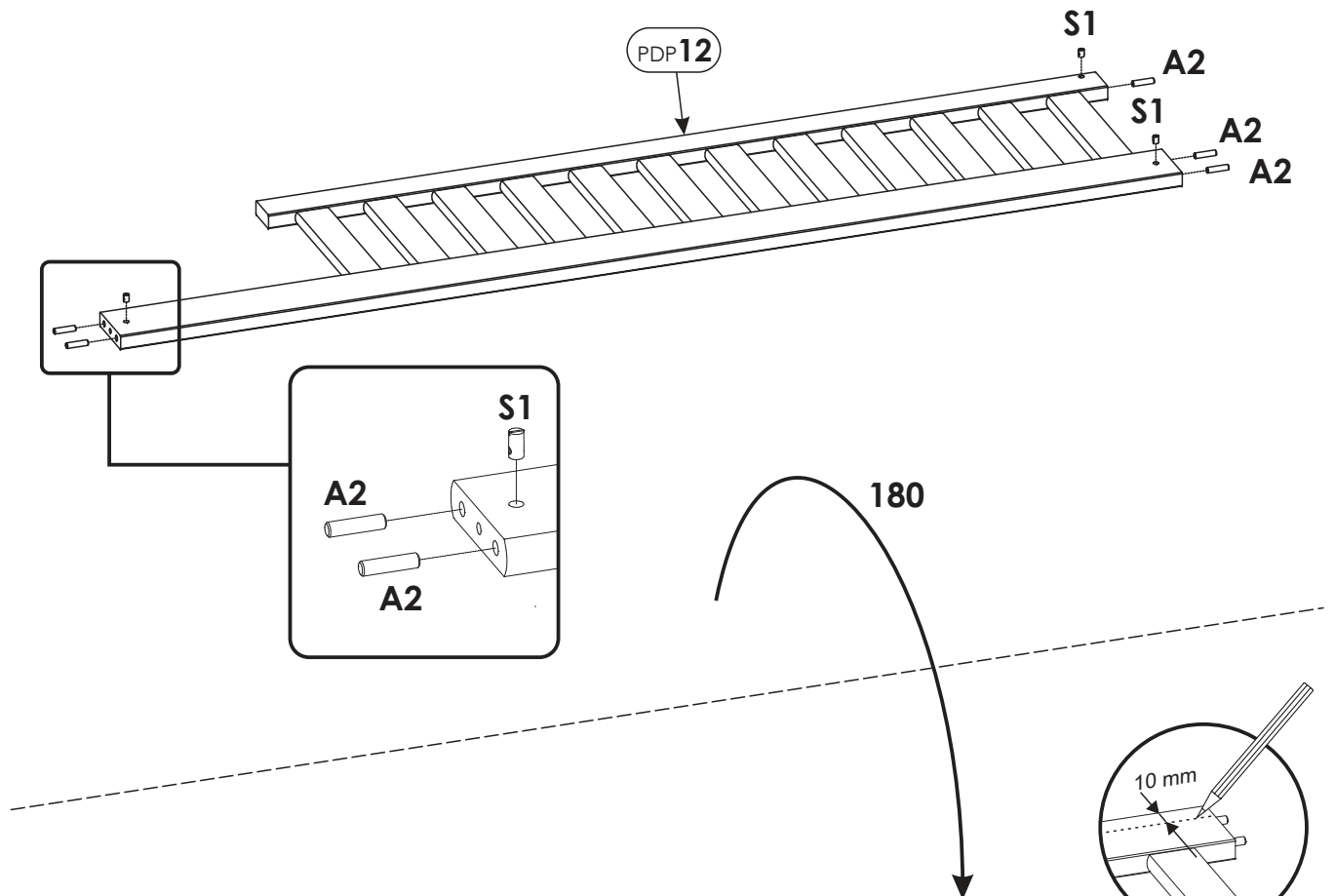
W1



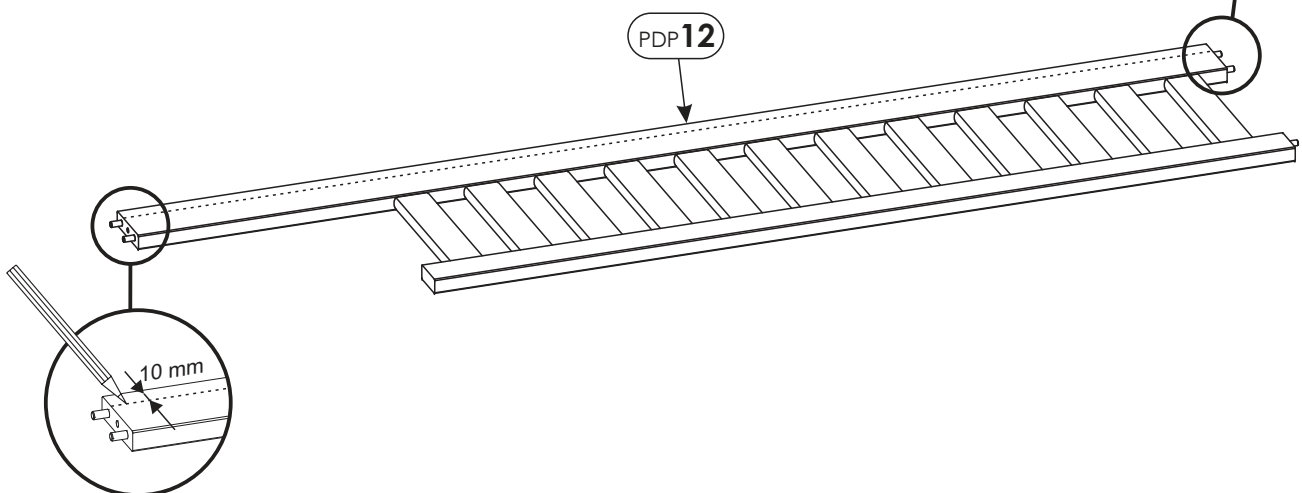
# 25.



## 25.1

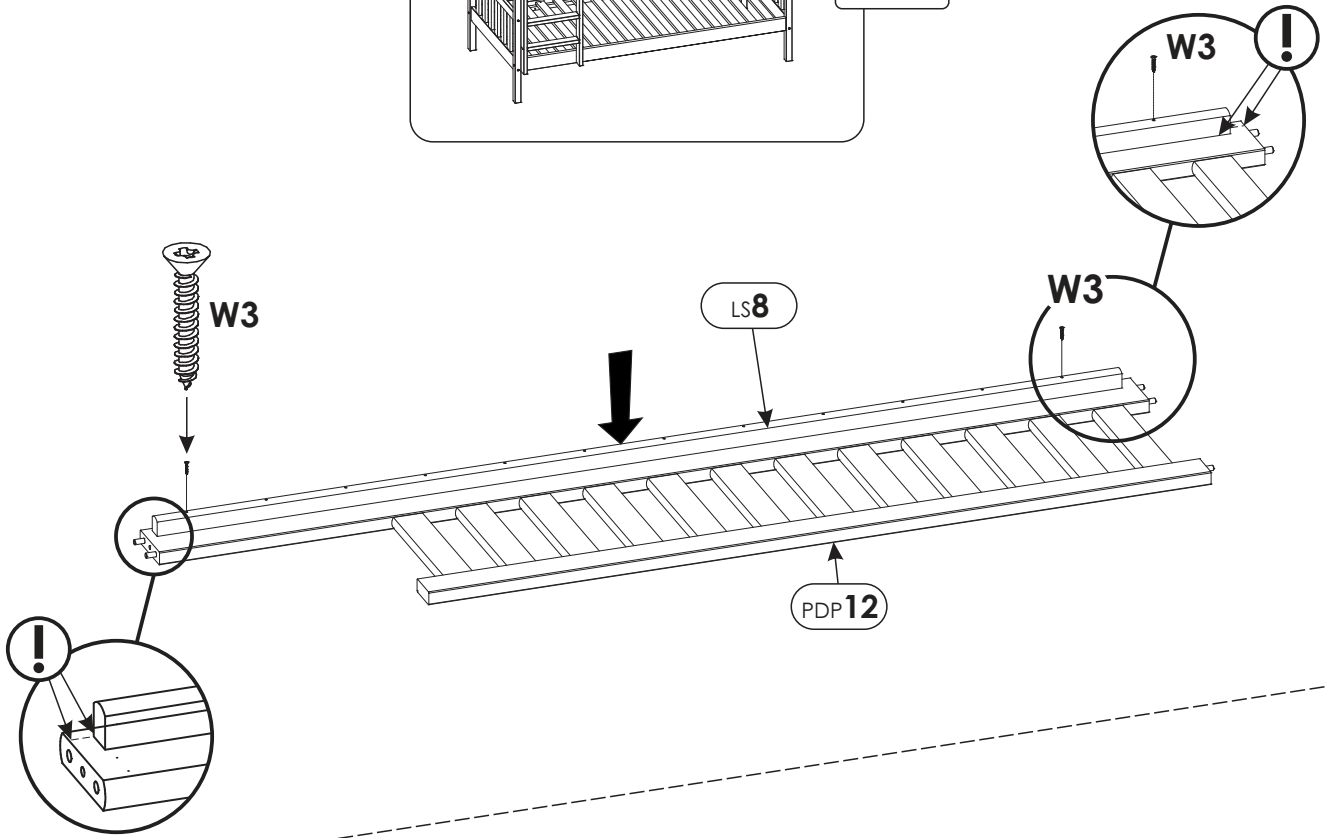
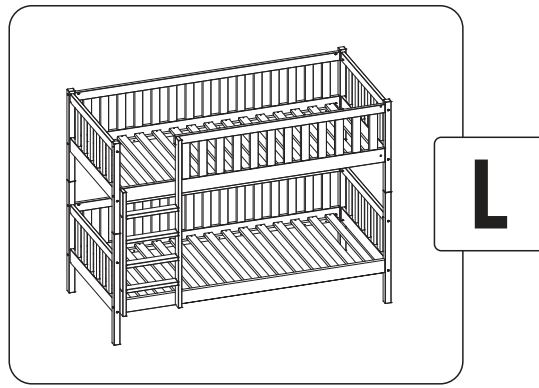


## 25.2

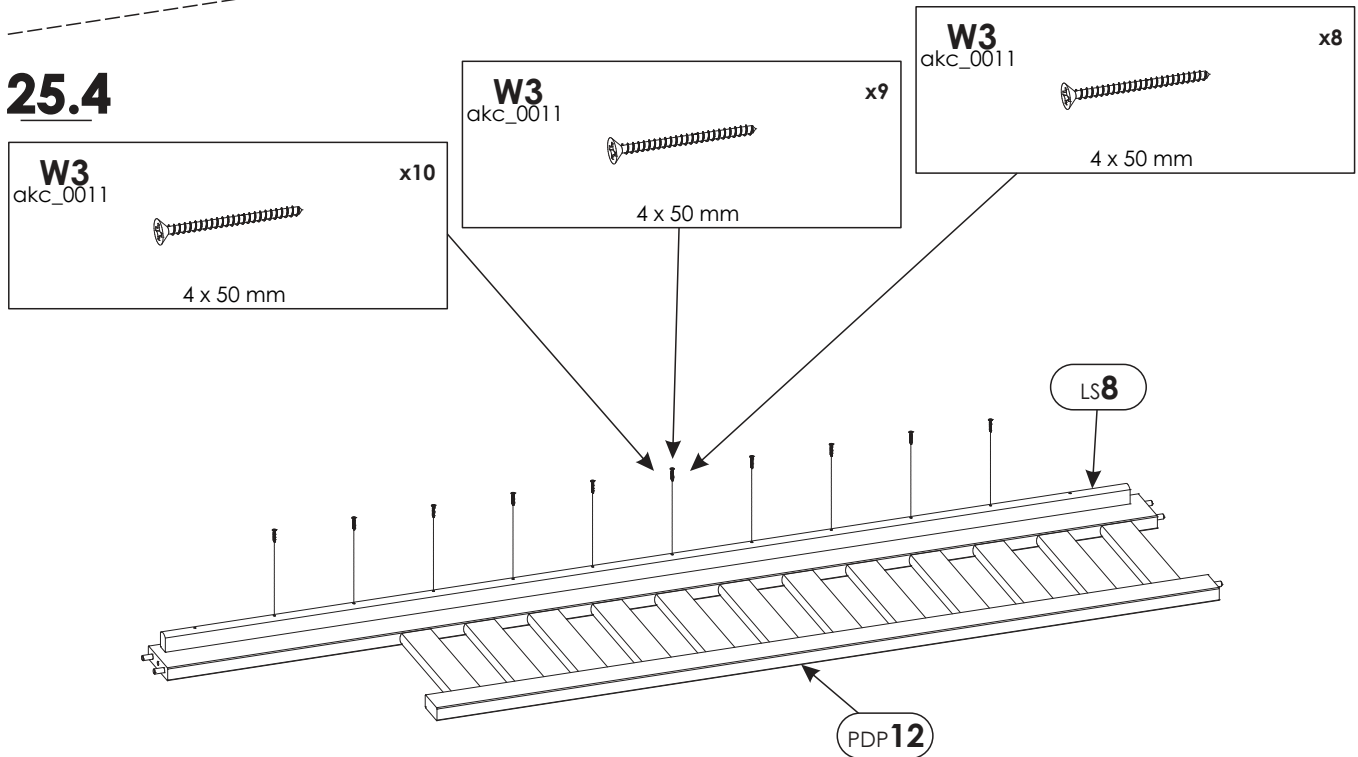




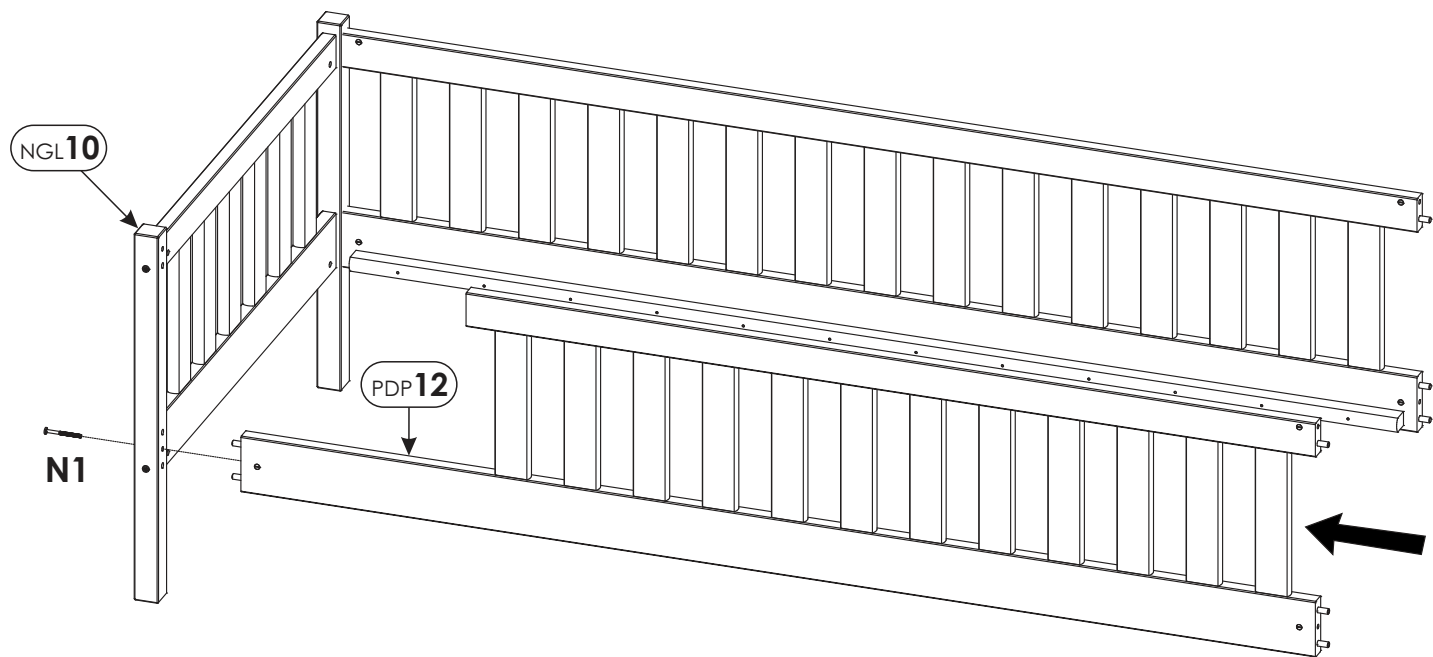
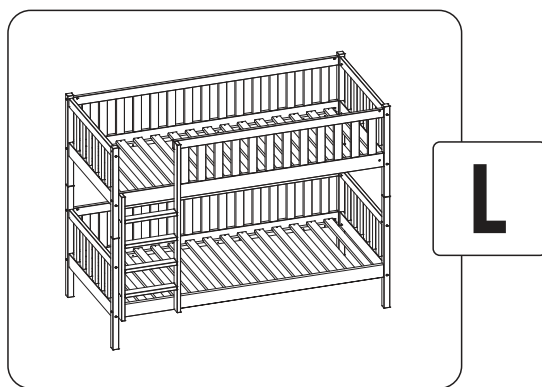
# 25.3



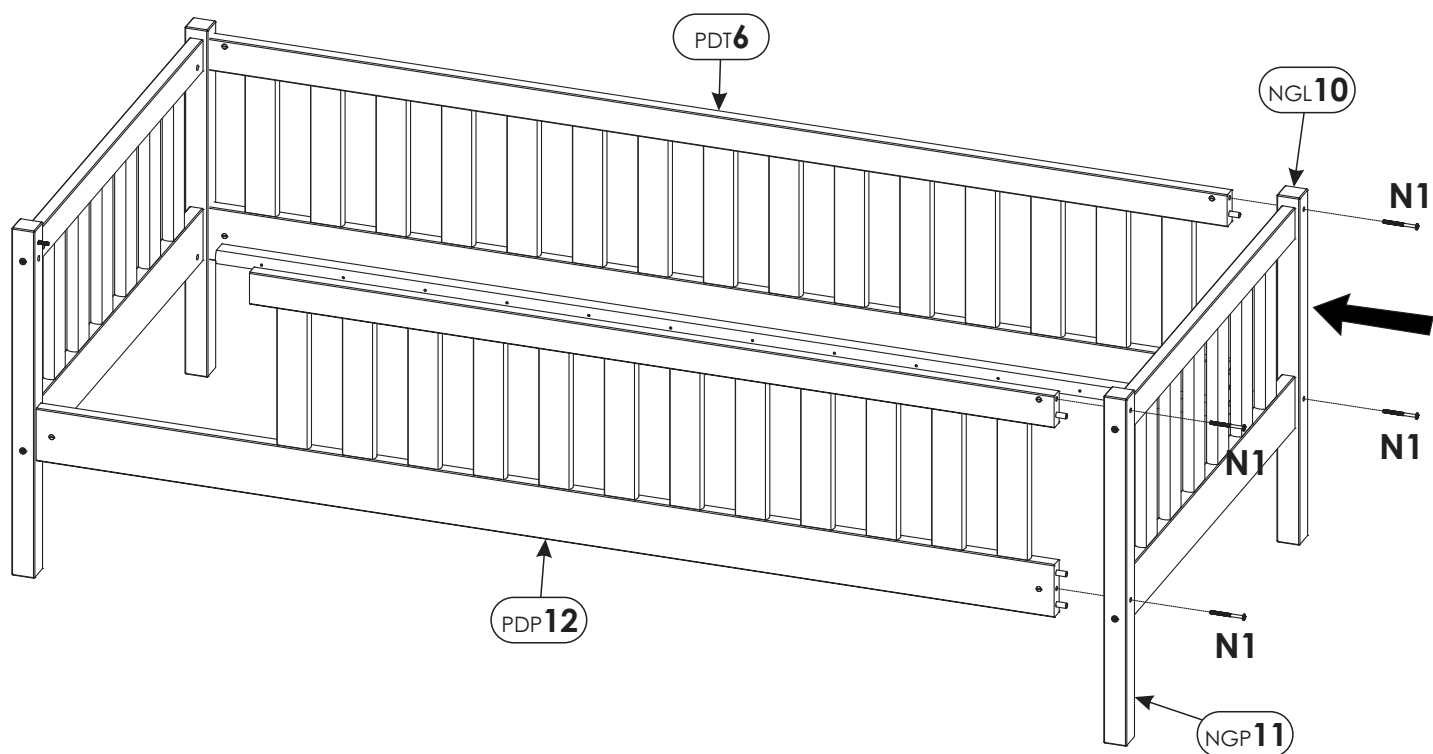
# 25.4



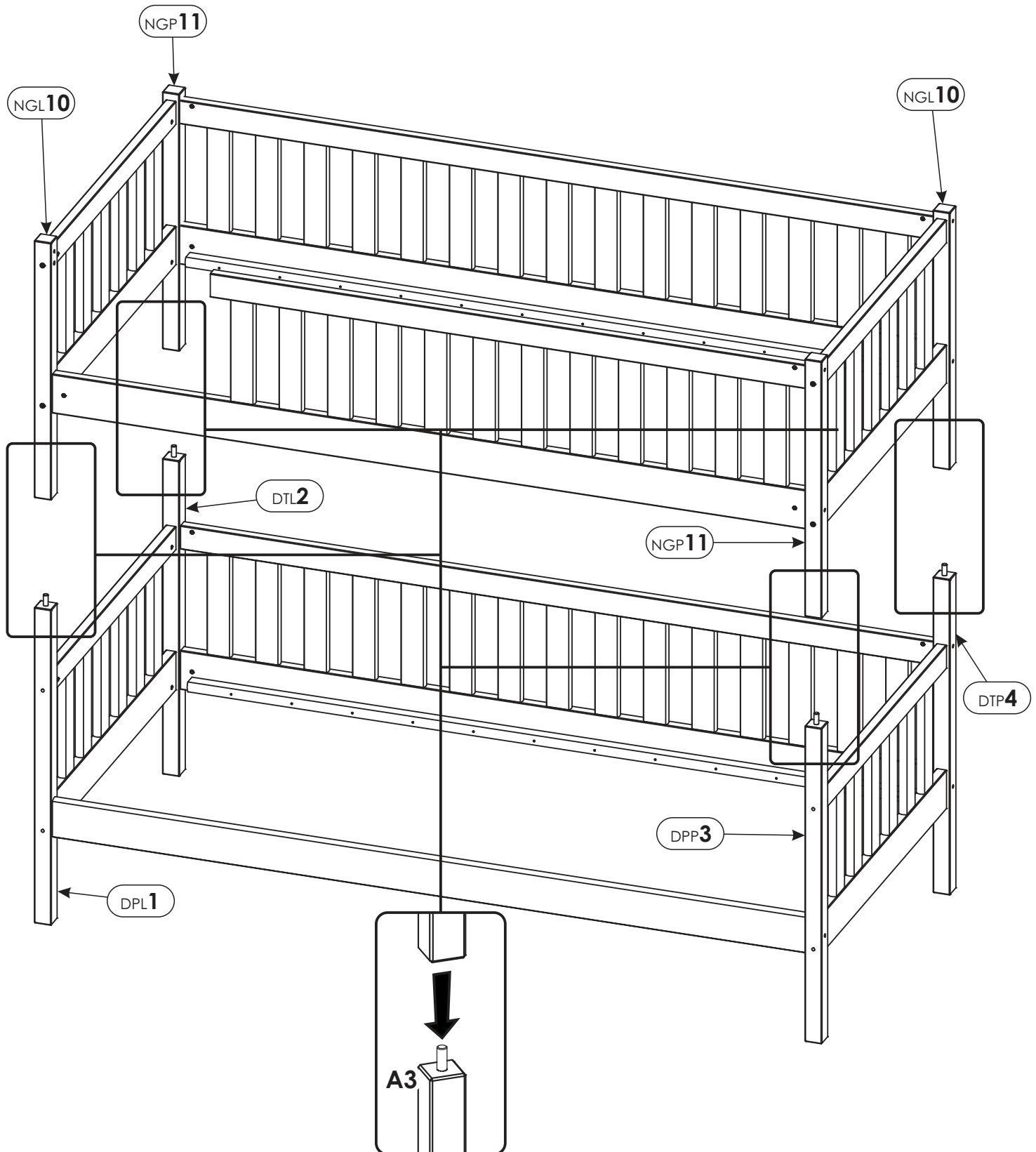
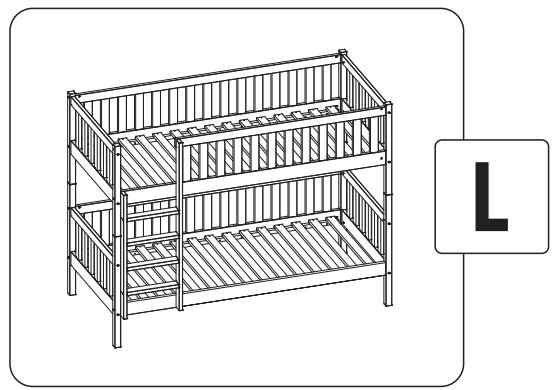
26.



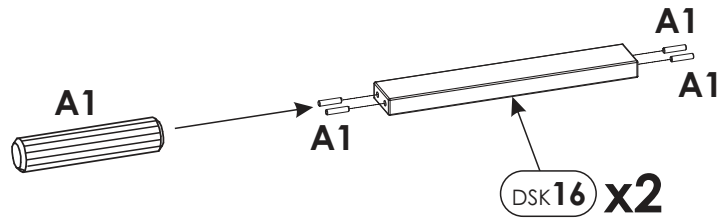
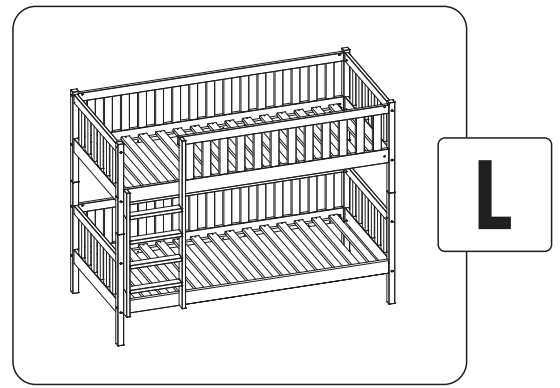
27.



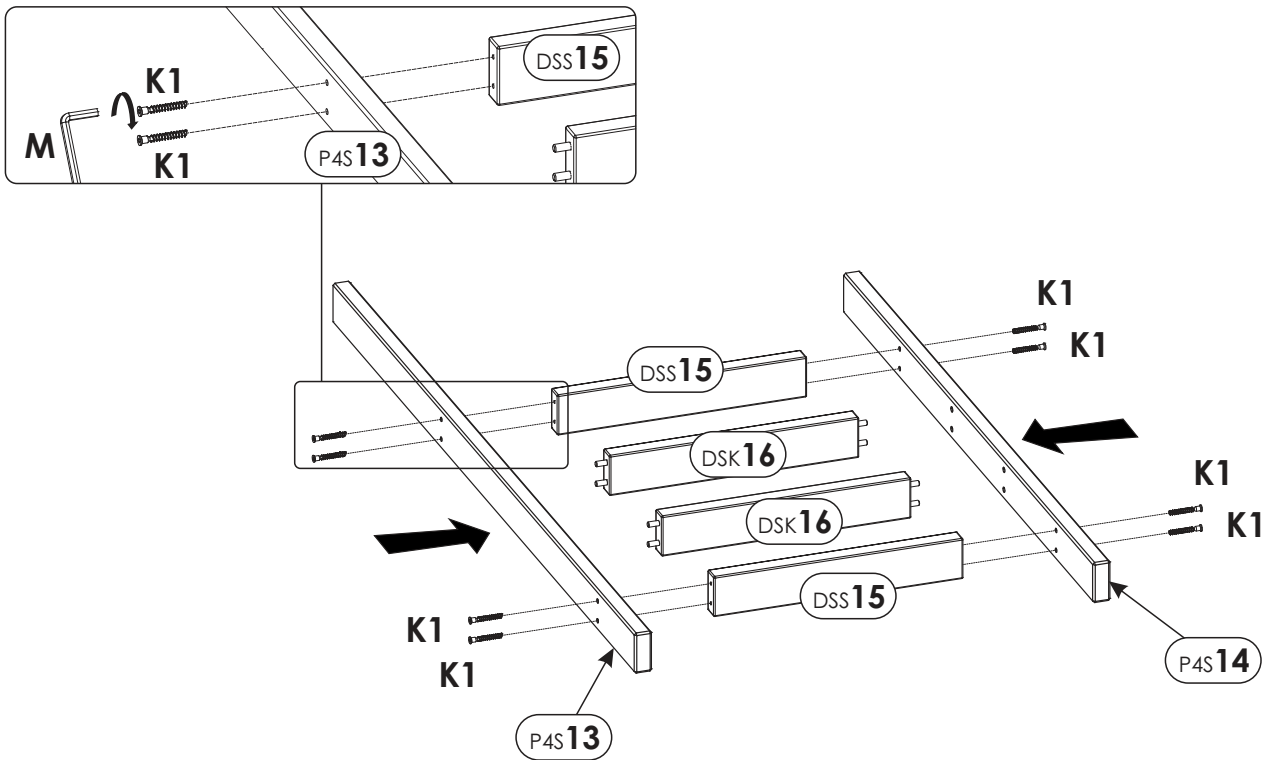
28.



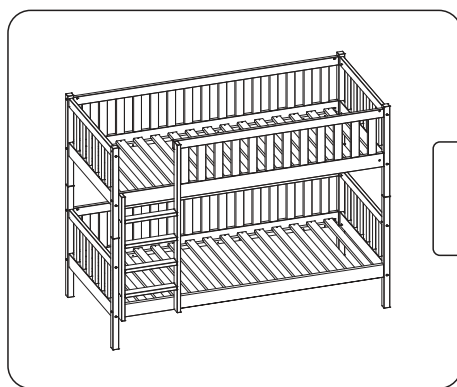
# 29.



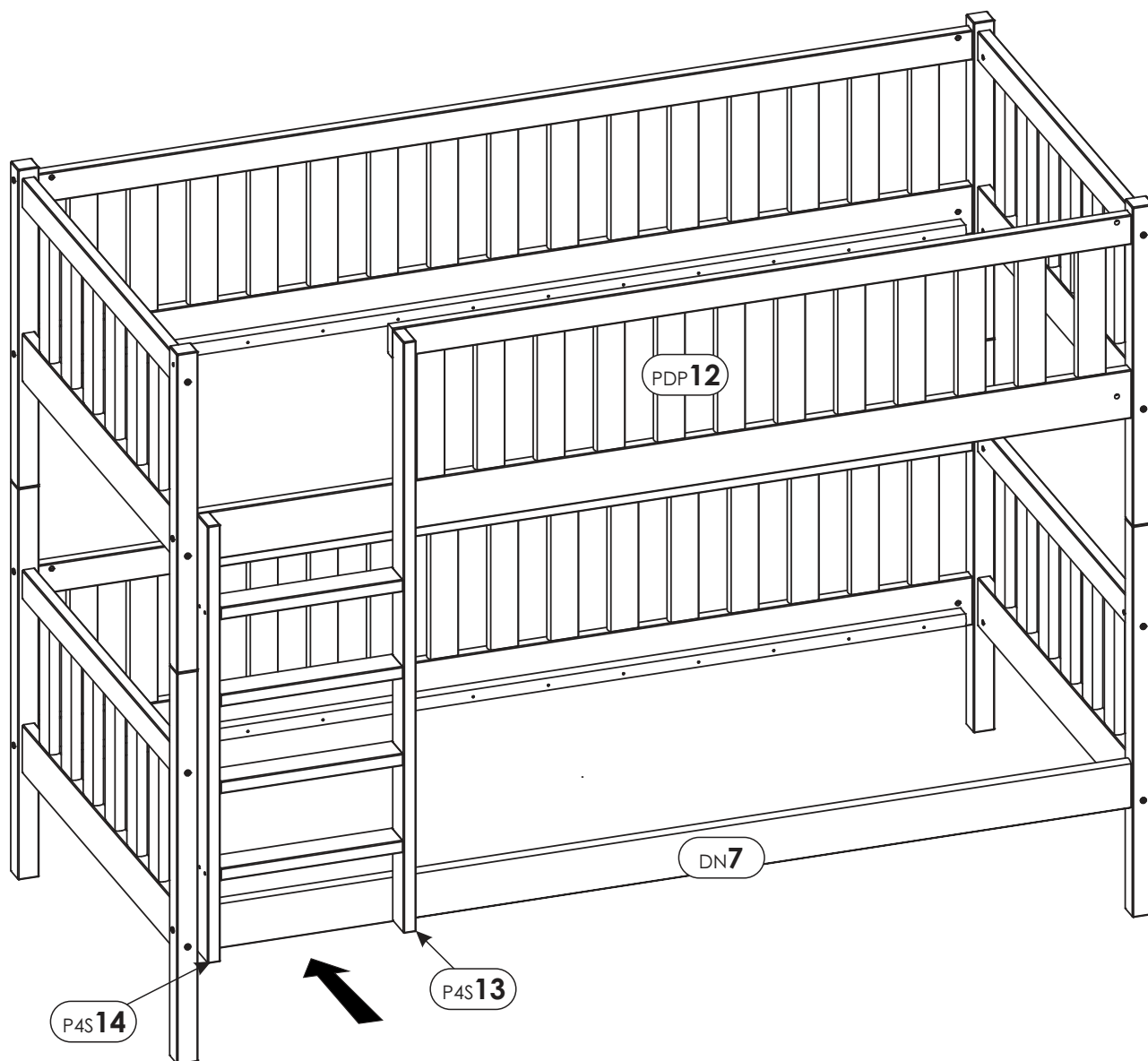
# 30.



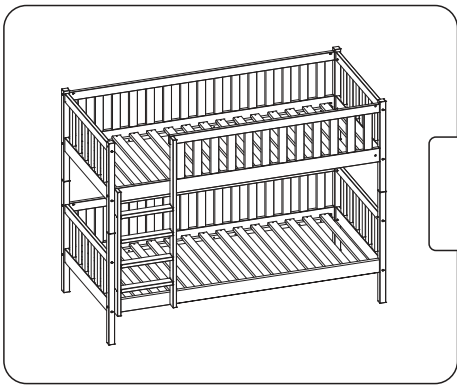
31.



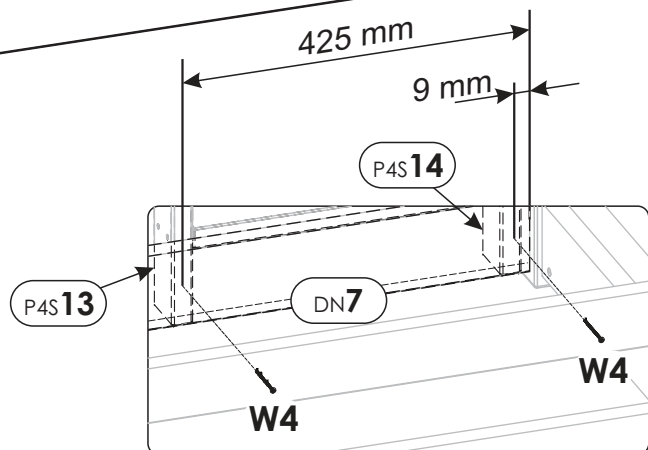
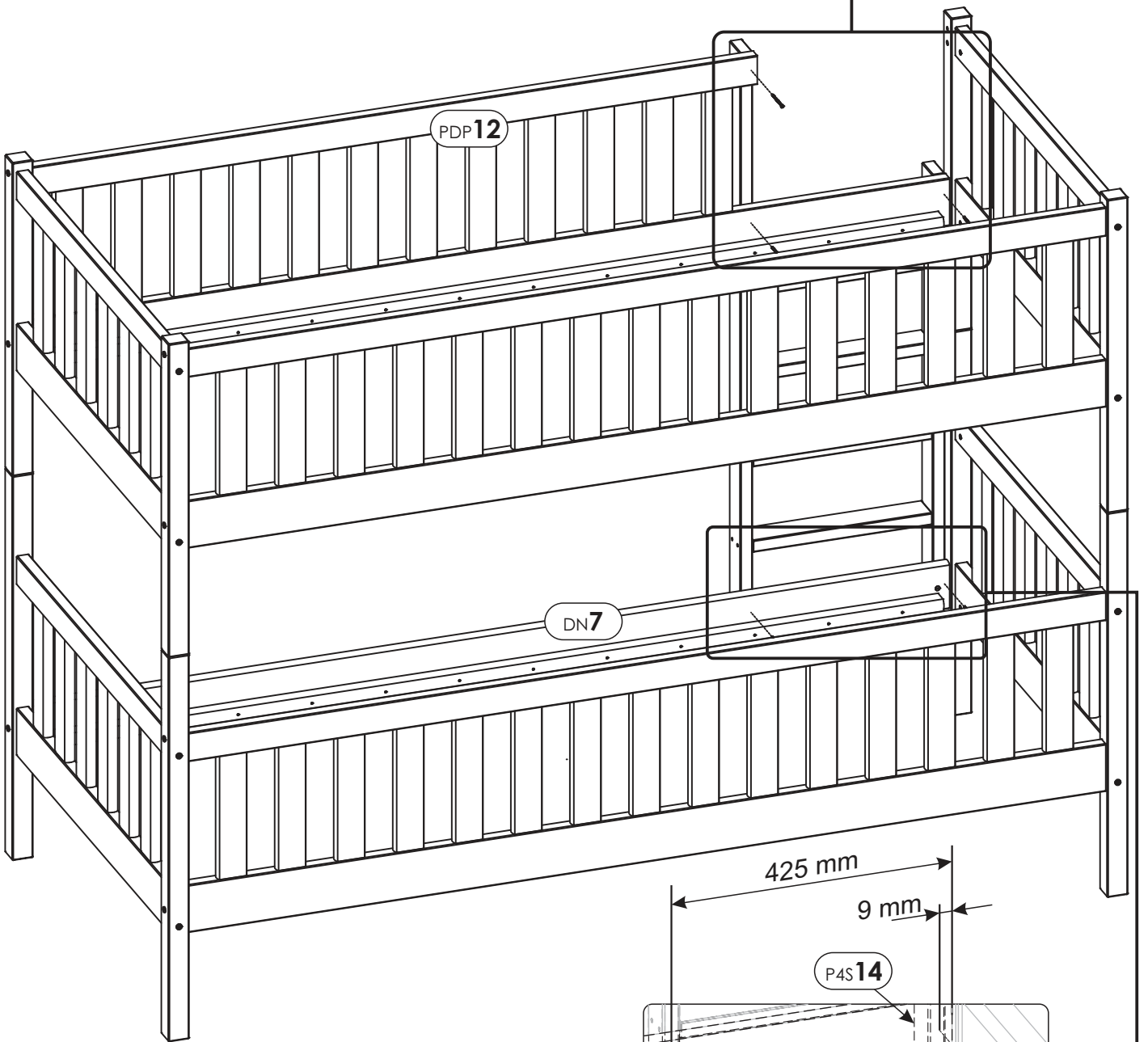
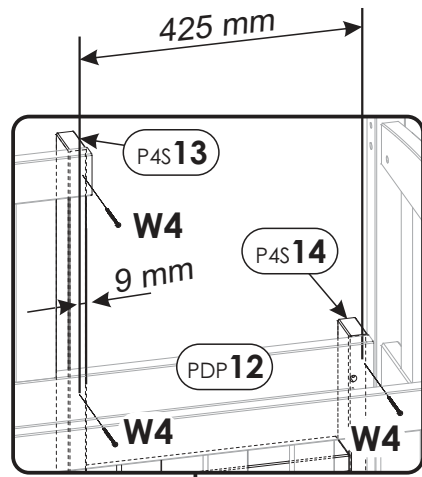
L



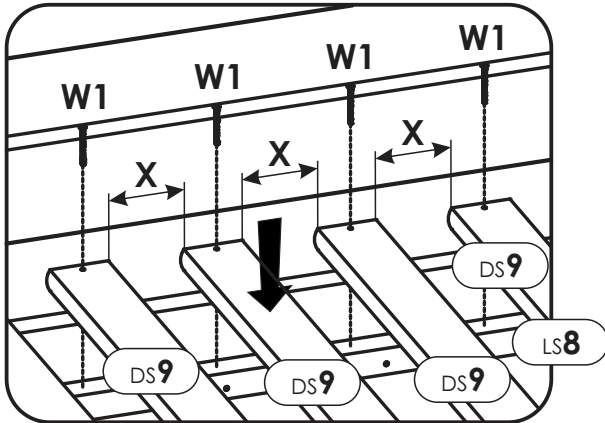
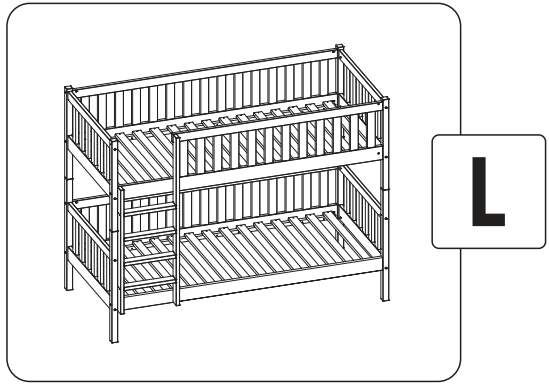
32.



L

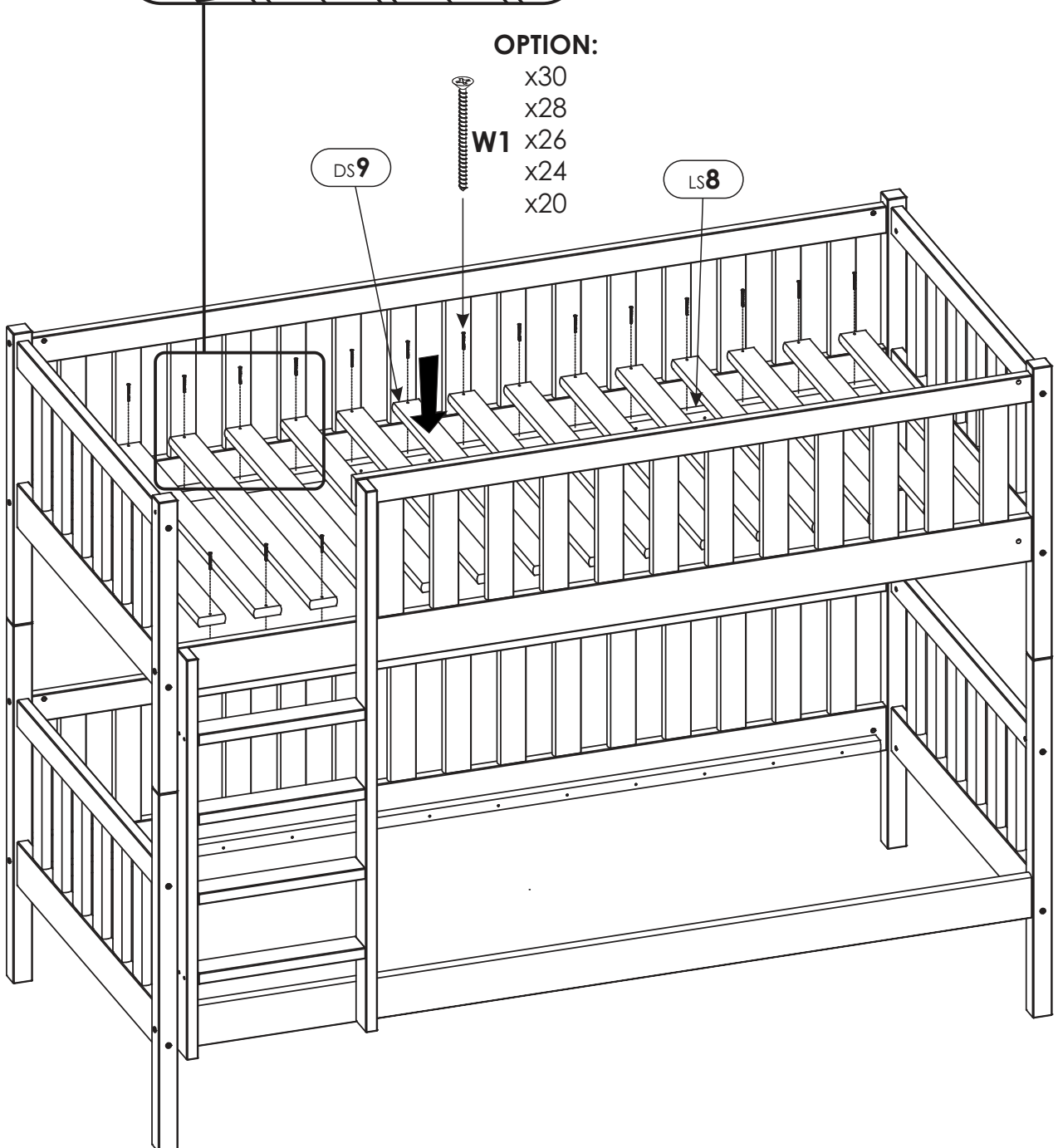


# 33.

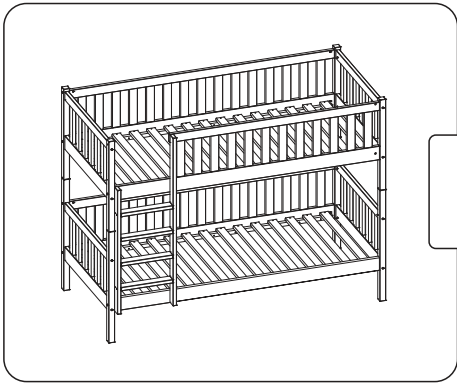


**OPTION:**

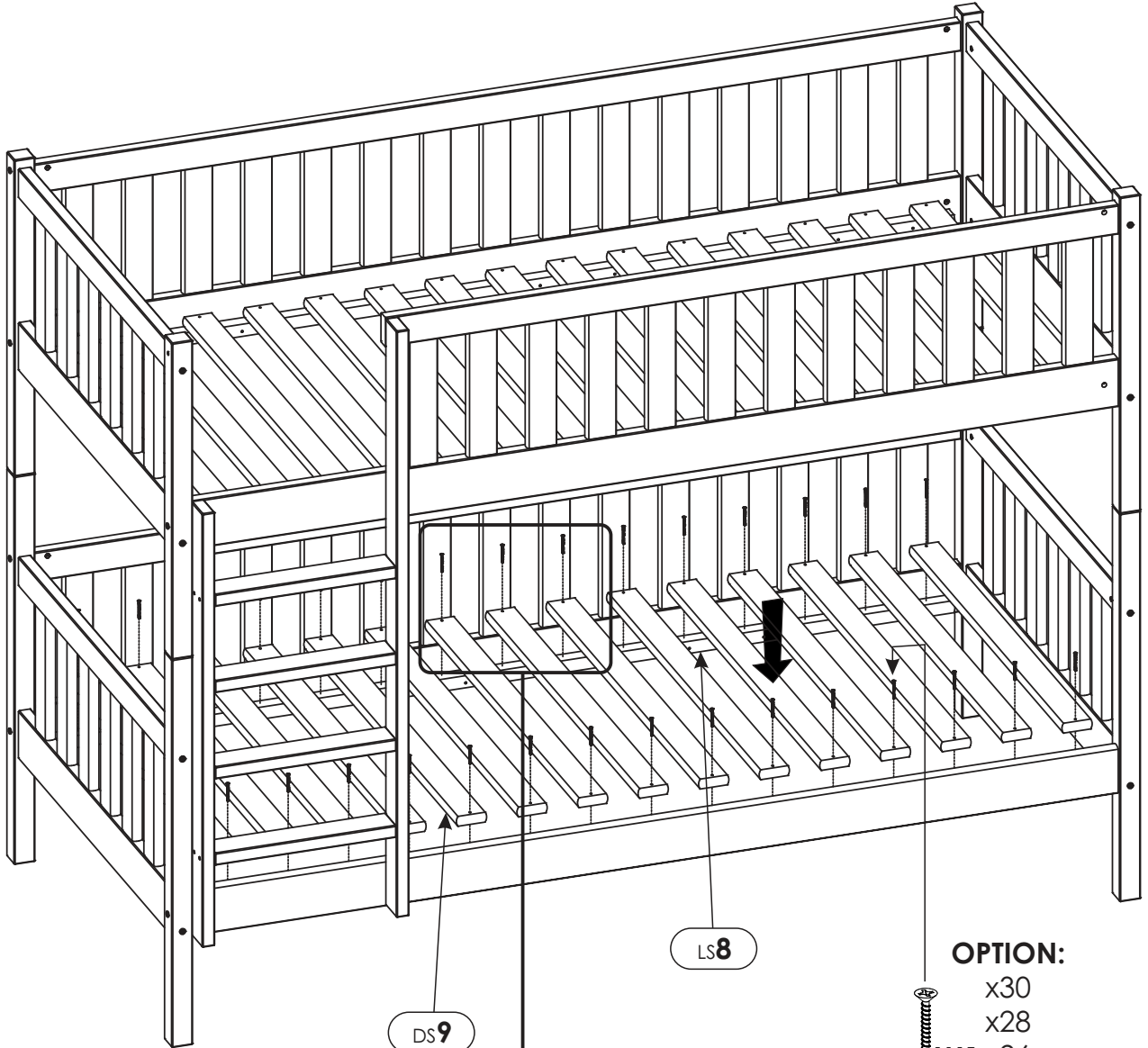
- x30
- x28
- W1** x26
- x24
- x20



# 34.



# L

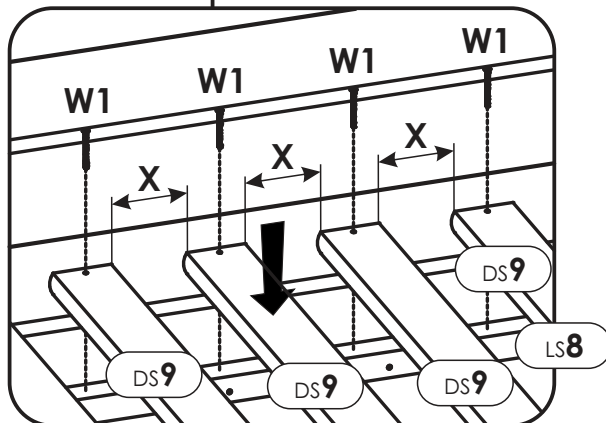


DS9

LS8

**OPTION:**

- x30
- x28
- W1** x26
- x24
- x20



W1

W1

W1

W1

X

X

X

DS9

LS8

DS9

DS9

DS9