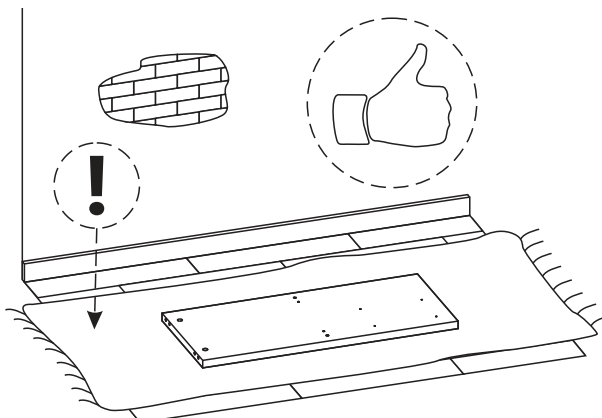
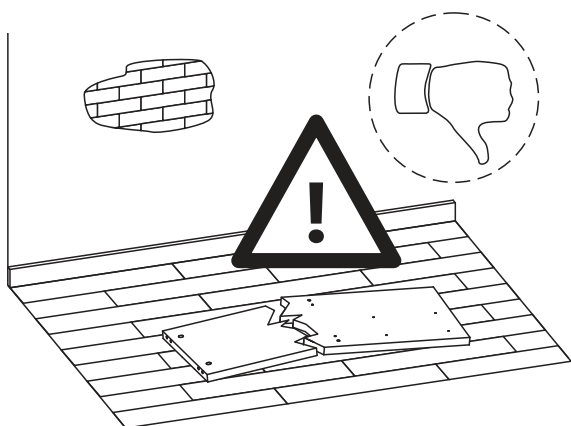
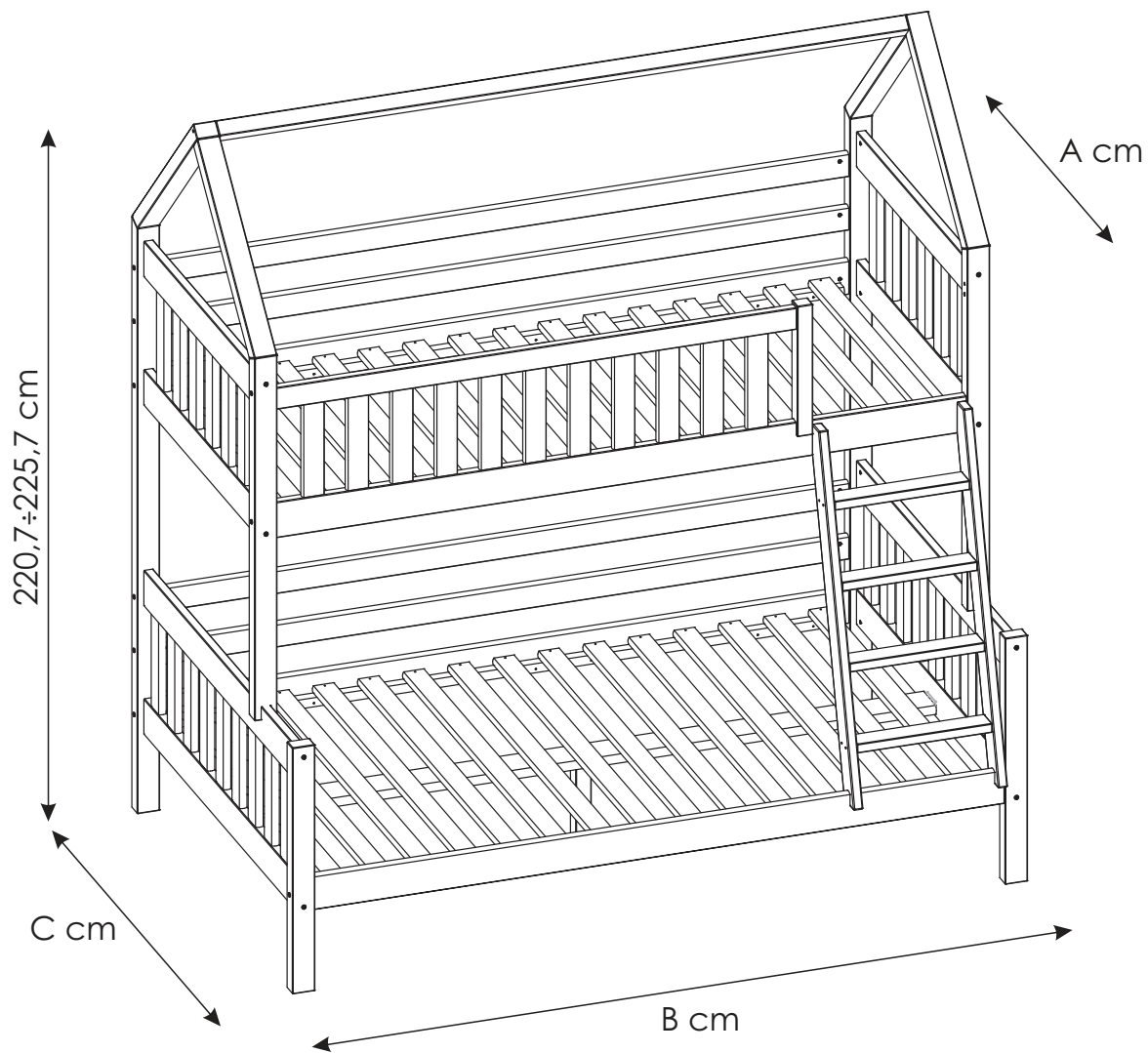
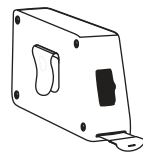
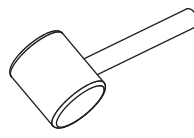
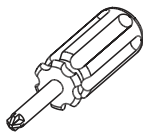
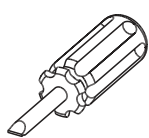
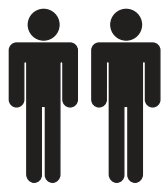
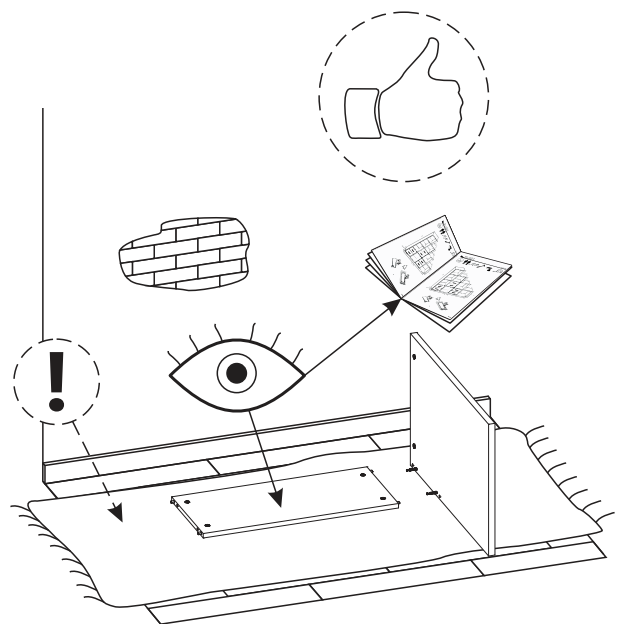
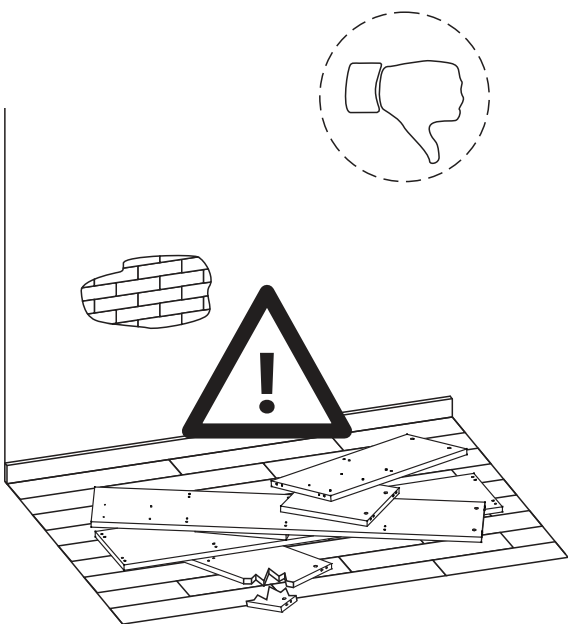
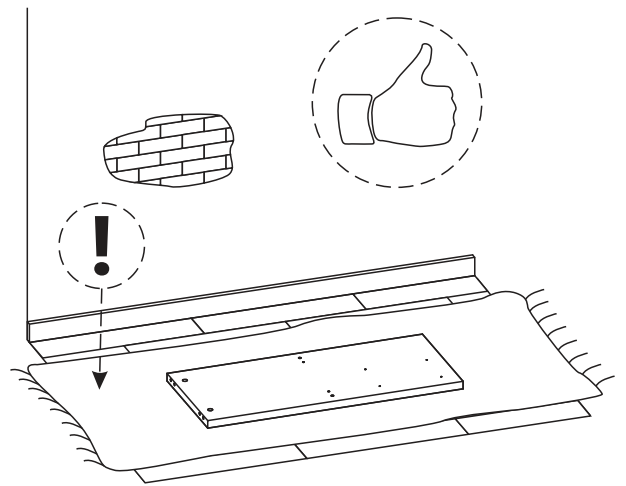
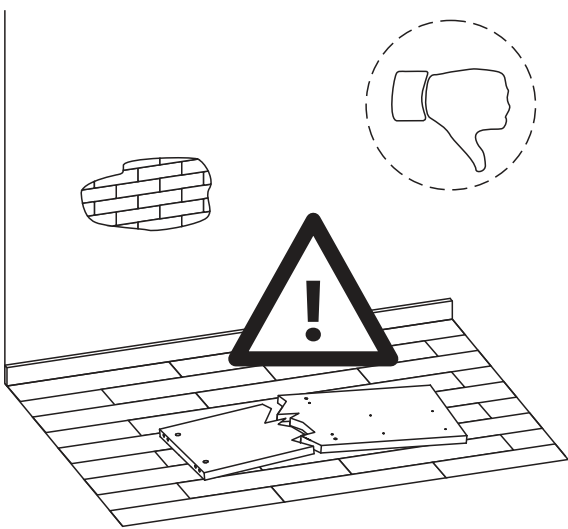
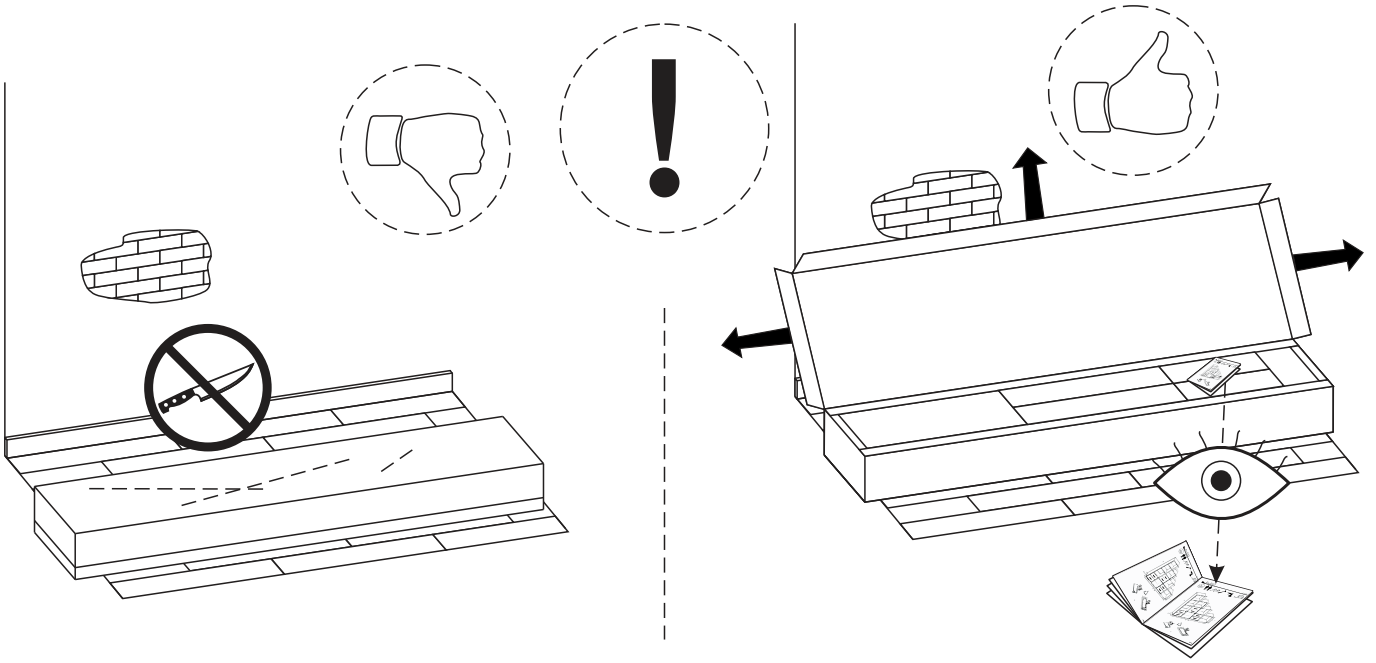
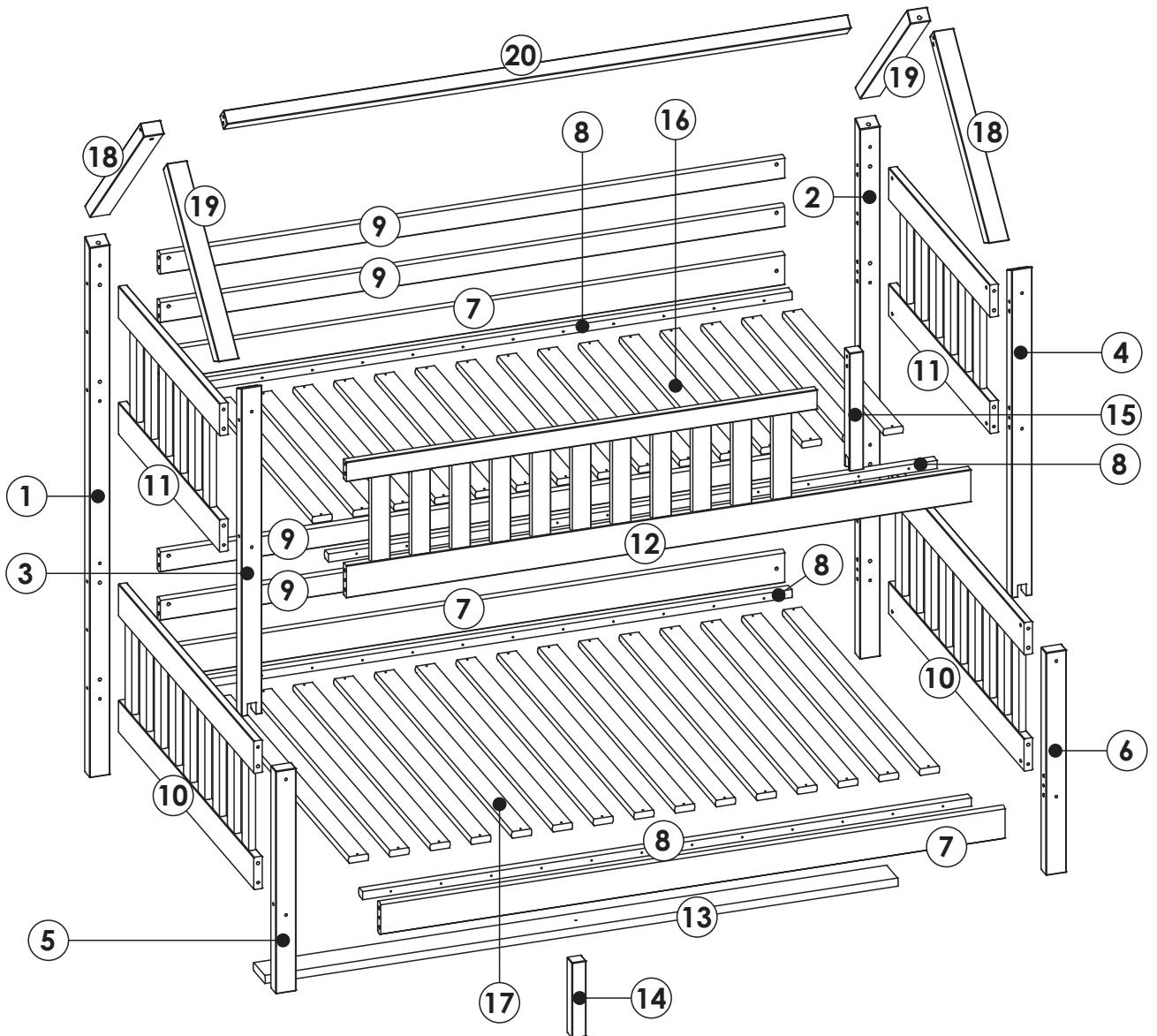
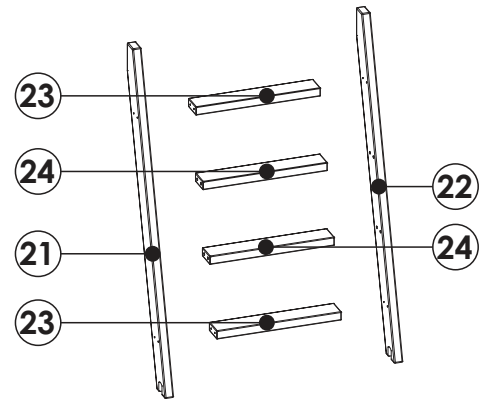
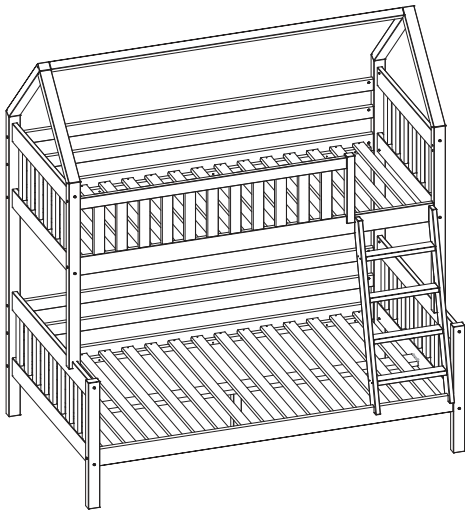


STANISŁAW





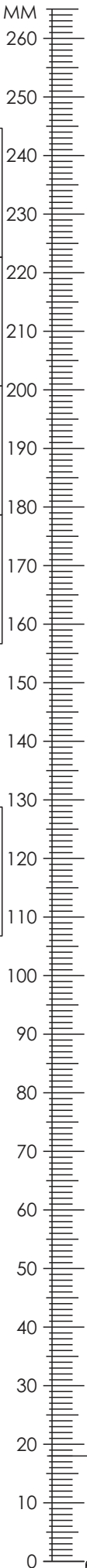
STANISŁAW

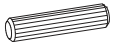
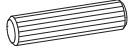
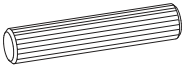


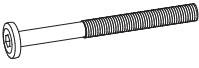
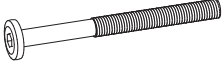

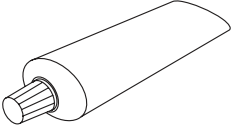


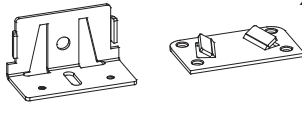


STANISŁAW


SND 1	1770	45	65	x1	SNDTL_02960
SND 2	1770	45	65	x1	SNDTP_02970
SNG 3	1085	45	65	x1	SNGPL_02980
SNG 4	1085	45	65	x1	SNGPP_02990
JND 5	736	45	65	x1	JNDPL_02860
JND 6	736	45	65	x1	JNDPP_02870
DN 7	1590, 1790, 1890, 1990	107	27	x3	DN_00110
LS 8	1540, 1740, 1840, 1940	35	27	x4	LS_00160
DW 9	1590, 1790, 1890, 1990	75	27	x4	DW75_00930
DP 10	1185, 1385	491	27	x2	PS_00470 DP_00480
DP 11	785, 885	491	27	x2	PS_00470 DP_00480
DPP 12	1590, 1790, 1890, 1990	449	27	x1	PS_00470 DPDD_00640 DPDC_00660
DPS 13	1617, 1817, 1917, 2017	107	27	x1	DPS_00150
PNP 14	250	45	45	x1	PNP_00050
WP 15	390	45	45	x1	WPDP_01980
DBD 18	619, 690	65	45	x2	DDBD65_03010
DBK 19	574, 645	75	45	x2	DDBK65_03000
DDP 20	1590, 1790, 1890, 1990	75	27	x1	DDP_01310
DDS 21	1062, 1098, 1143, 1195	75	27	x1	DDSIL_00190
DDS 22	1062, 1098, 1143, 1195	75	27	x1	DDSIP_00200
DSS 23	390	65	27	x2	DSS_00210
DSK 24	390	65	27	x2	DSK_00220

STANISŁAW



<p>A1 akc_0001</p>  <p>8 x 35 mm</p> <p>x8</p>	<p>A2 akc_0002</p>  <p>10 x 40 mm</p> <p>x44</p>	<p>A3 akc_0003</p>  <p>12 x 60 mm</p> <p>x6</p>
<p>K1 akc_0004</p>  <p>6,4 x 50 mm</p> <p>x8</p>	<p>M akc_0005</p>  <p>x1</p>	<p>N1 akc_0006</p>  <p>6 x 80 mm</p> <p>x17</p>
<p>N2 akc_0007</p>  <p>6 x 100 mm</p> <p>x19</p>	<p>S1 akc_0008</p>  <p>10 x 16 mm</p> <p>x36</p>	<p>S2 akc_0018</p>  <p>x1</p>
<p>W2 akc_0010</p>  <p>4 x 25 mm</p> <p>x12</p>	<p>W4 akc_0012</p>  <p>4 x 60 mm</p> <p>x3</p>	<p>Z4 akc_0013</p>  <p>x2</p>

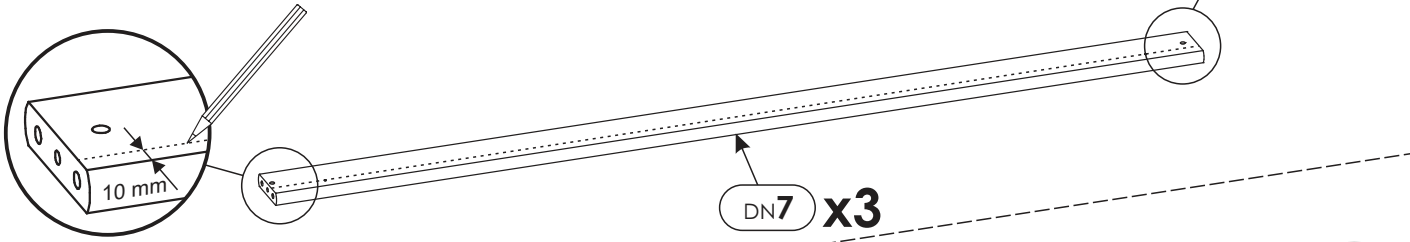
----- OPTION -----

<p>W1 akc_0009</p>  <p>3,5 x 40 mm</p> <p>48 < x < 60</p>

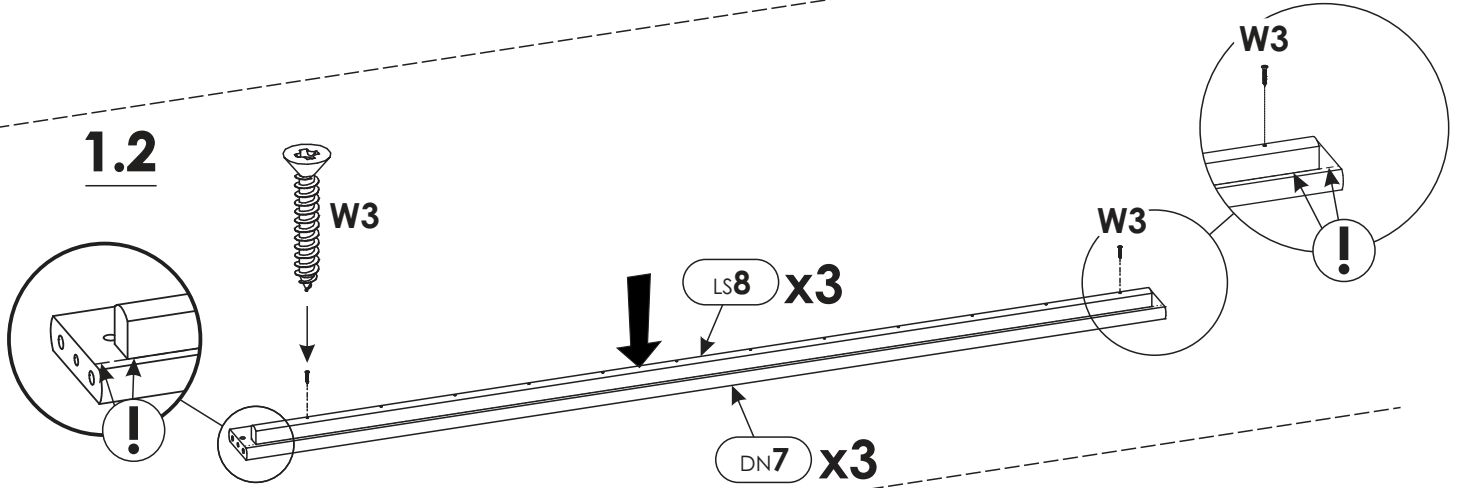
<p>W3 akc_0011</p>  <p>4 x 50 mm</p> <p>40 < x < 48</p>

1.

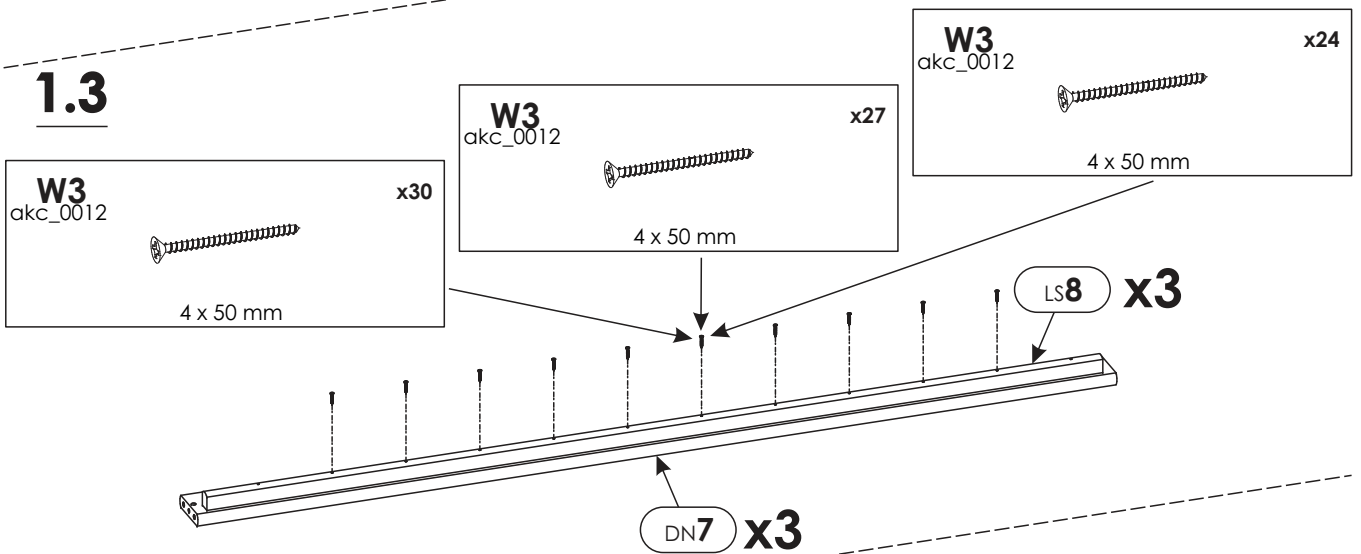
1.1



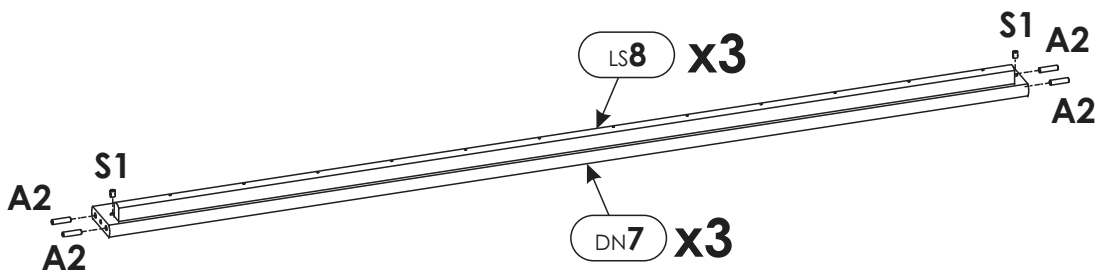
1.2



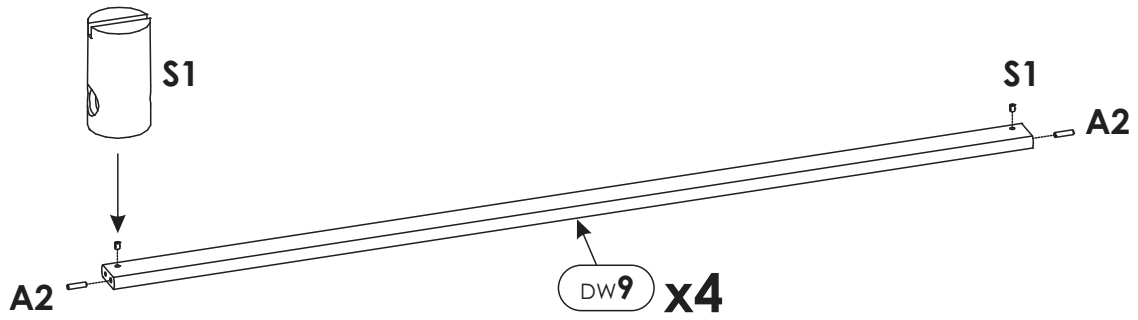
1.3



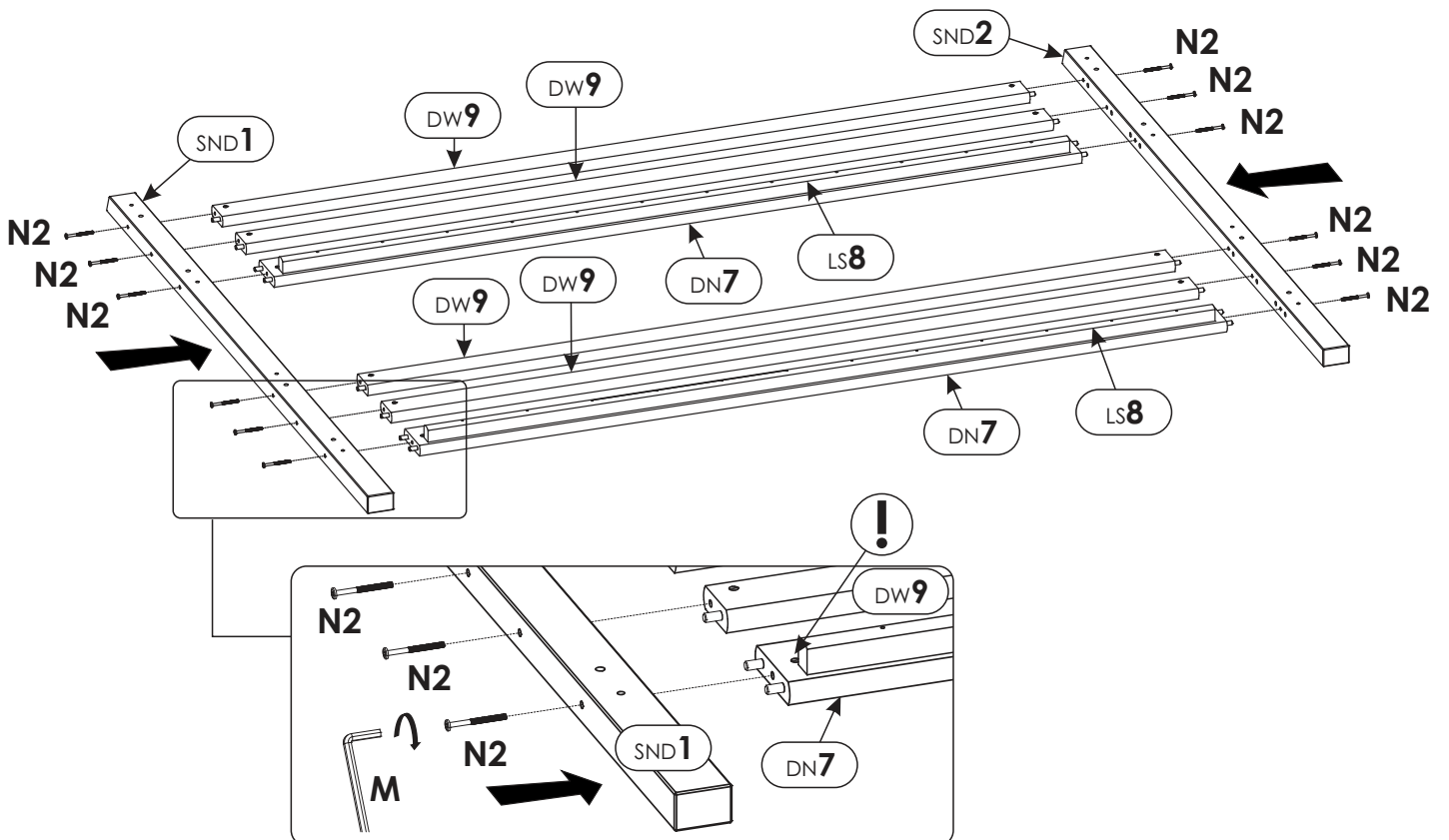
1.4



2.

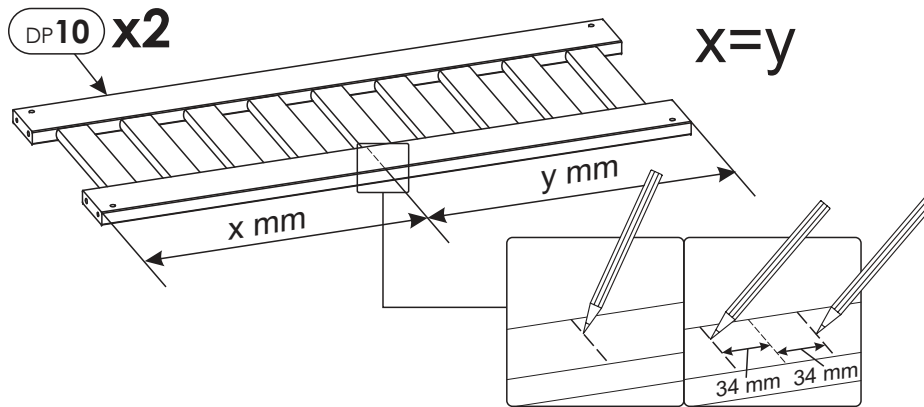


3.

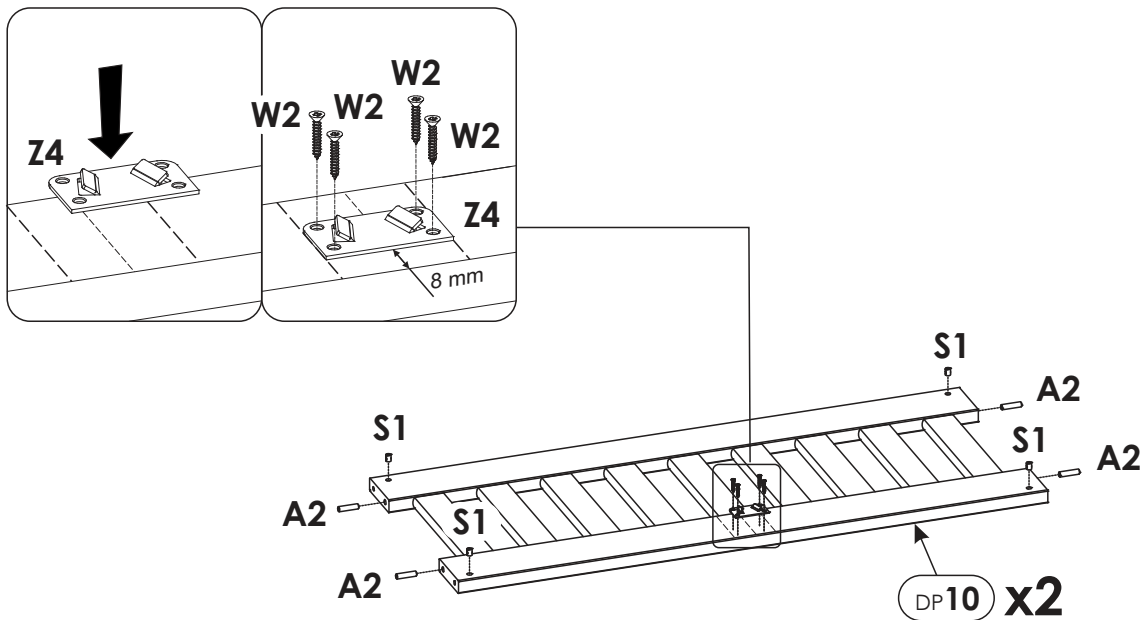


4.

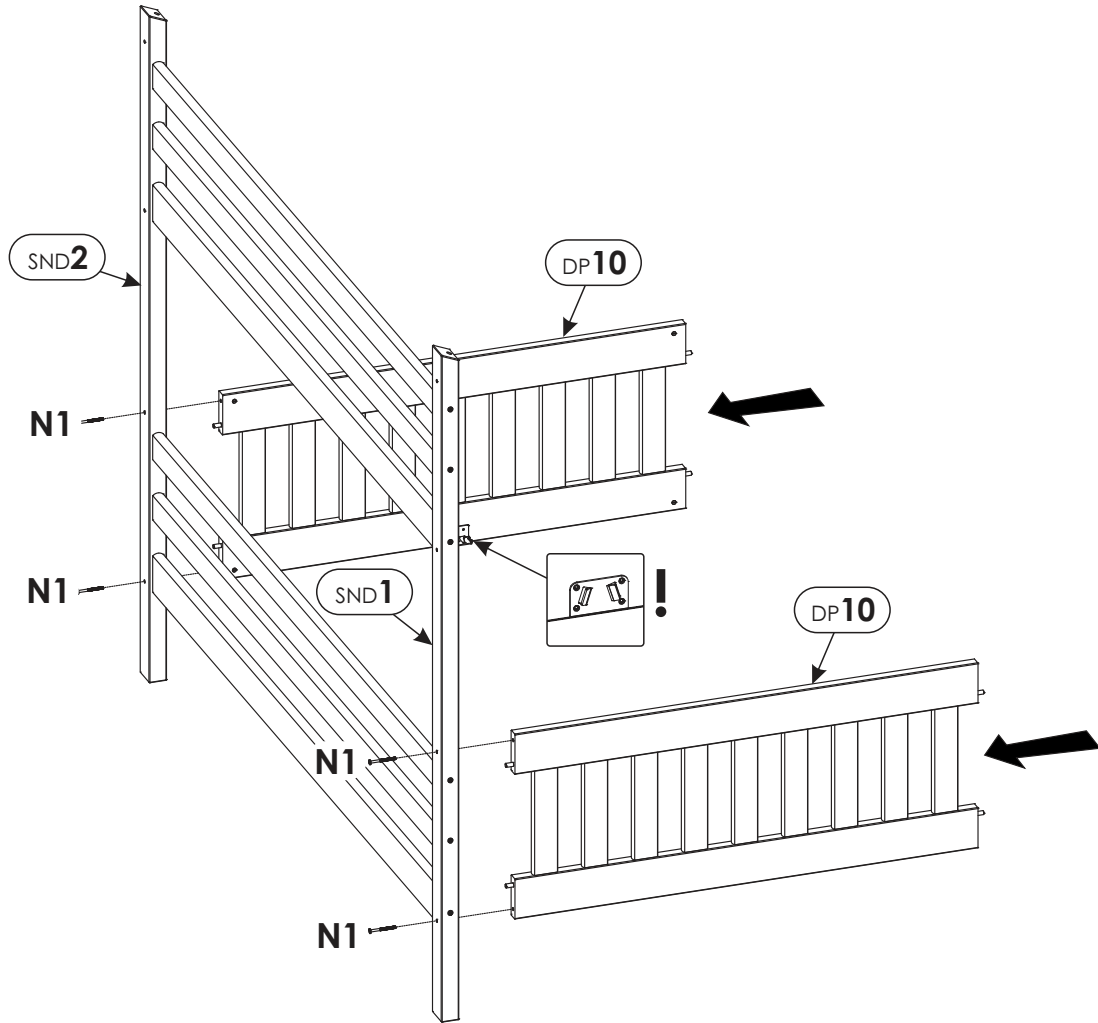
4.1



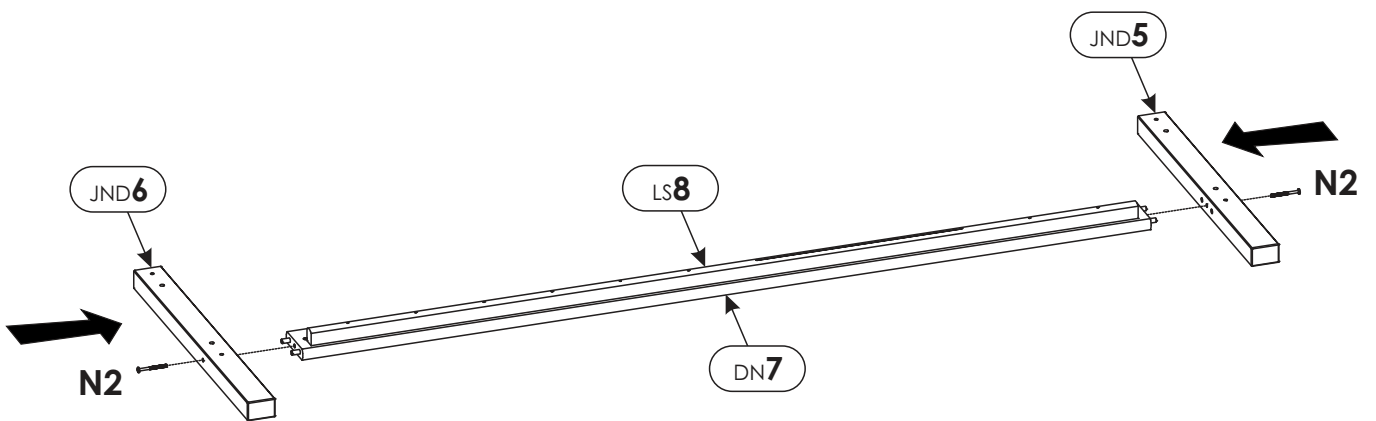
4.2



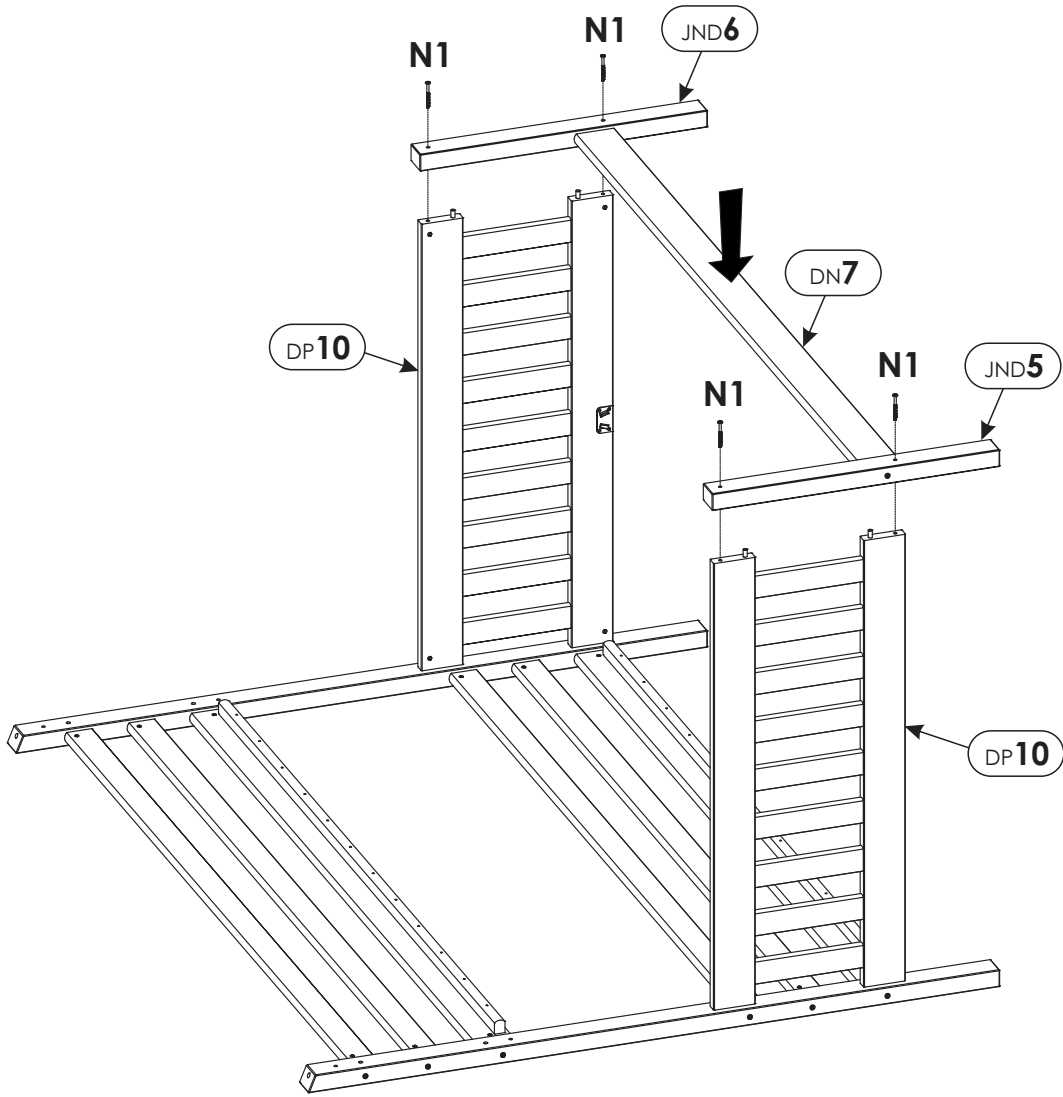
5.



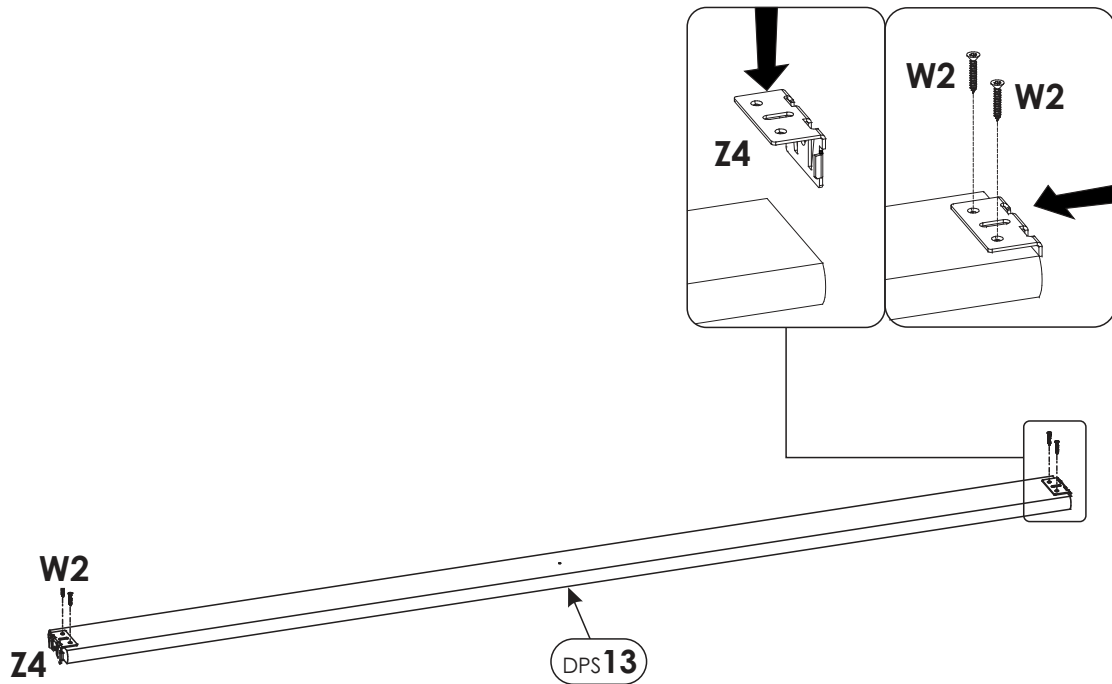
6.



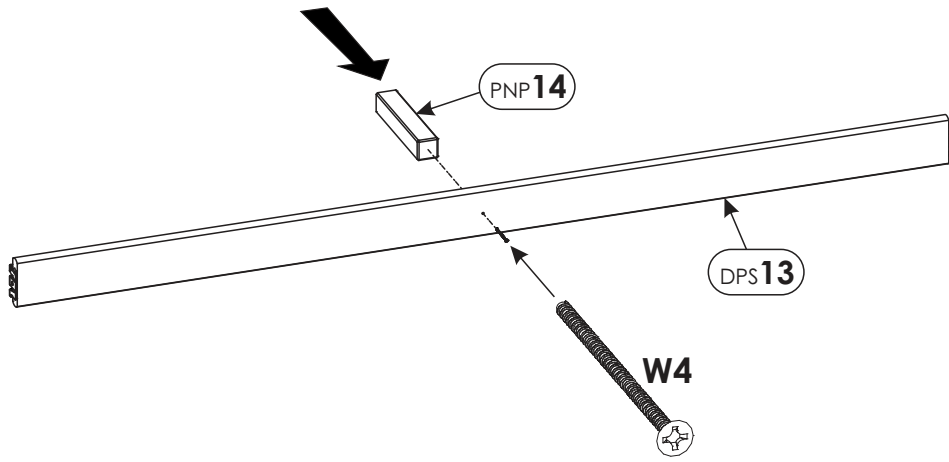
7.



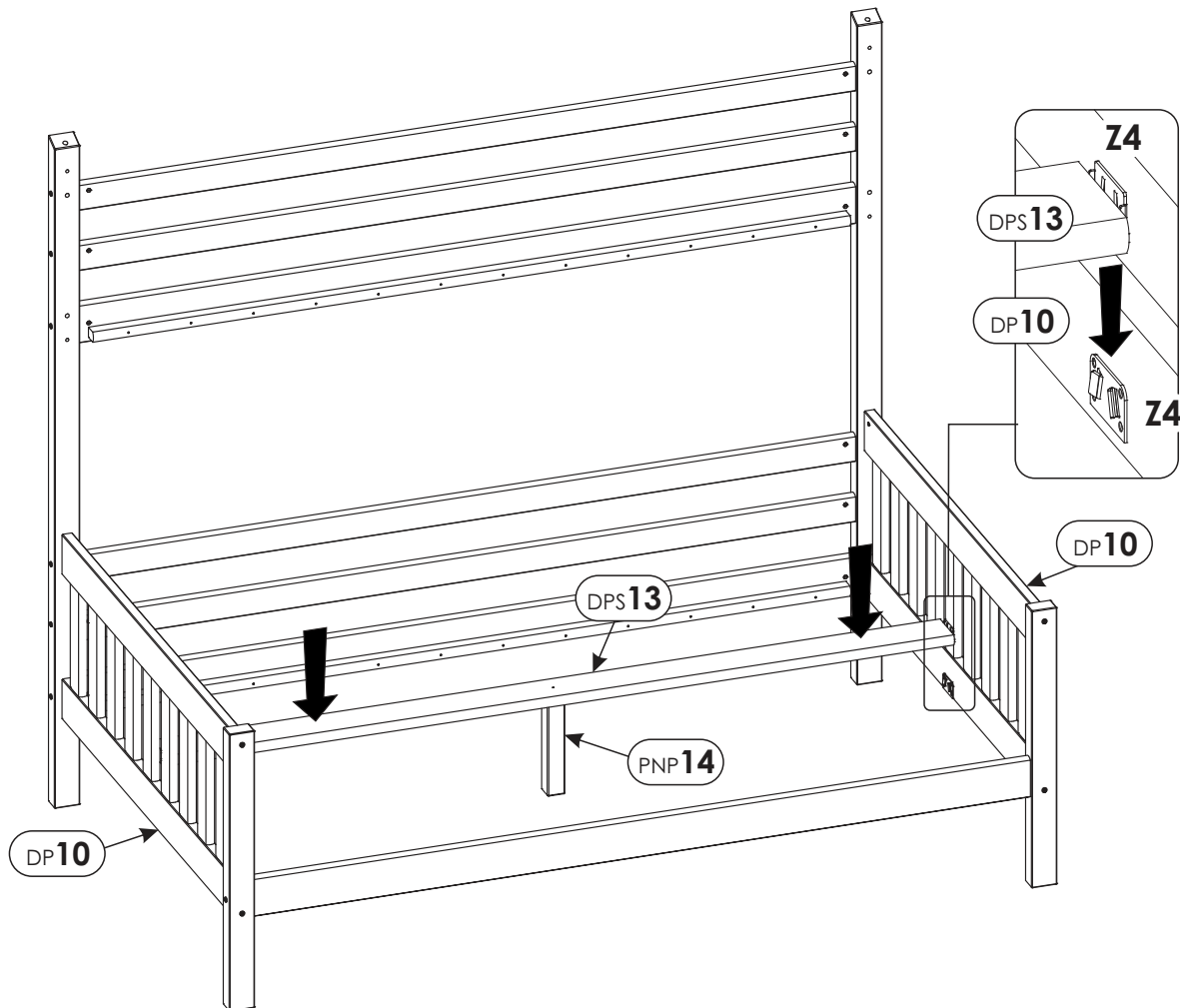
8.

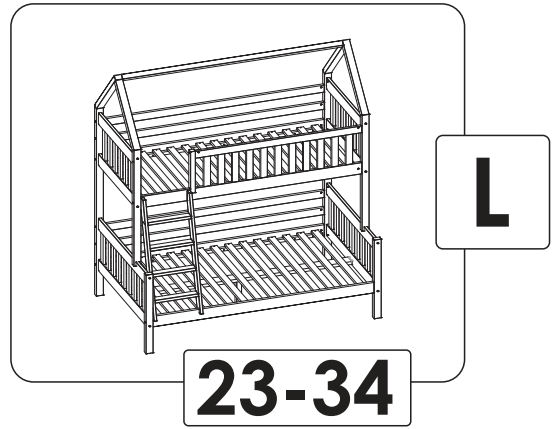
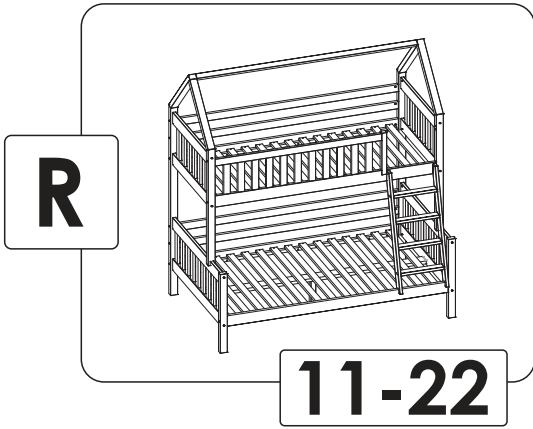


9.



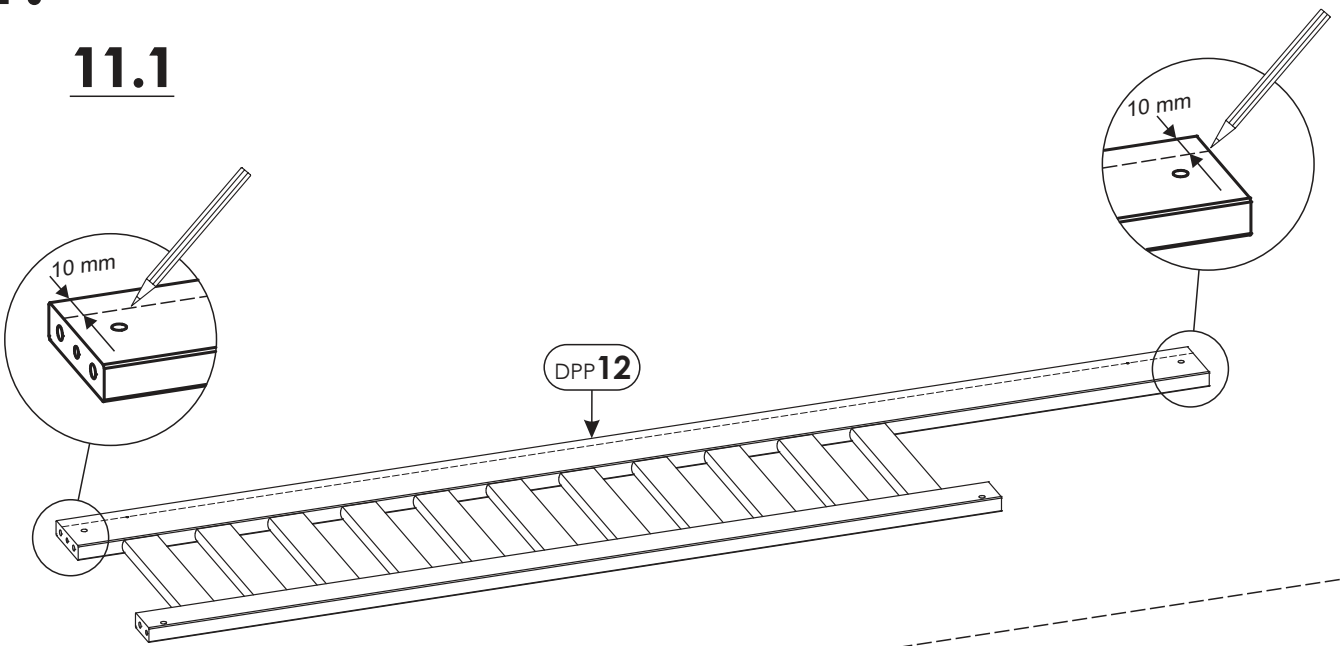
10.



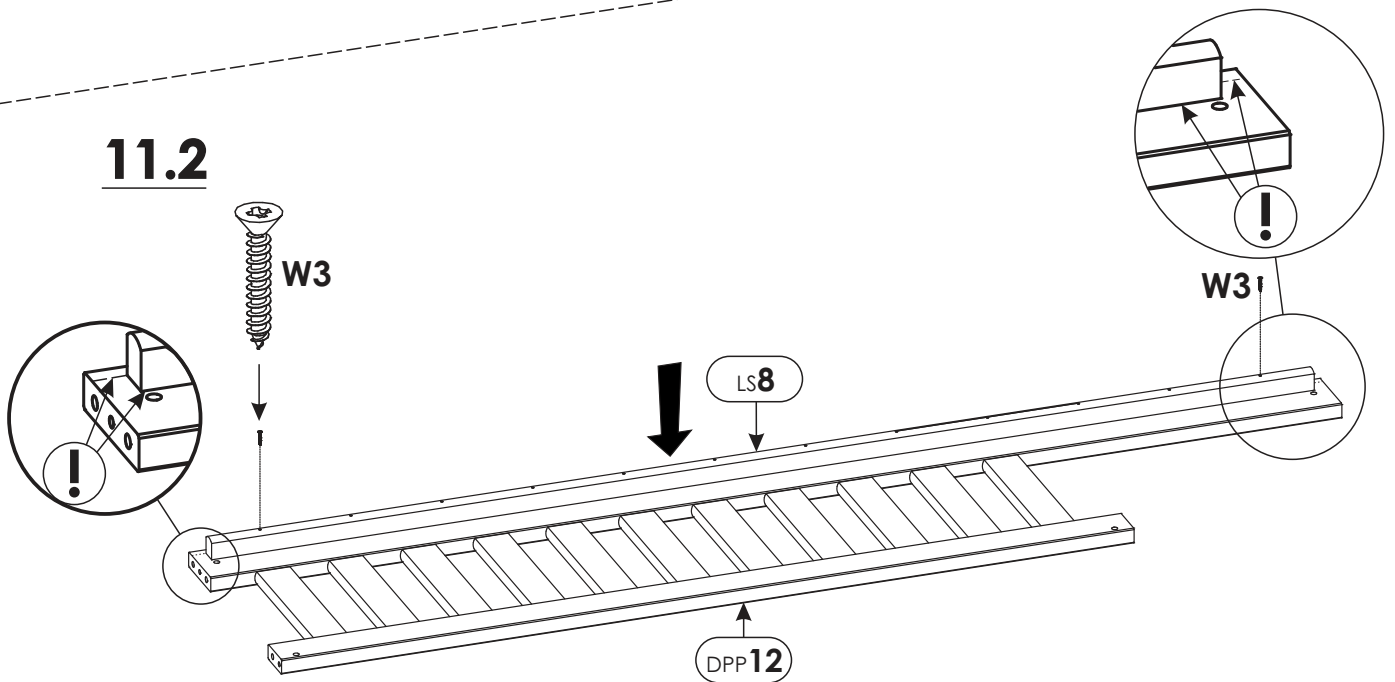


11.

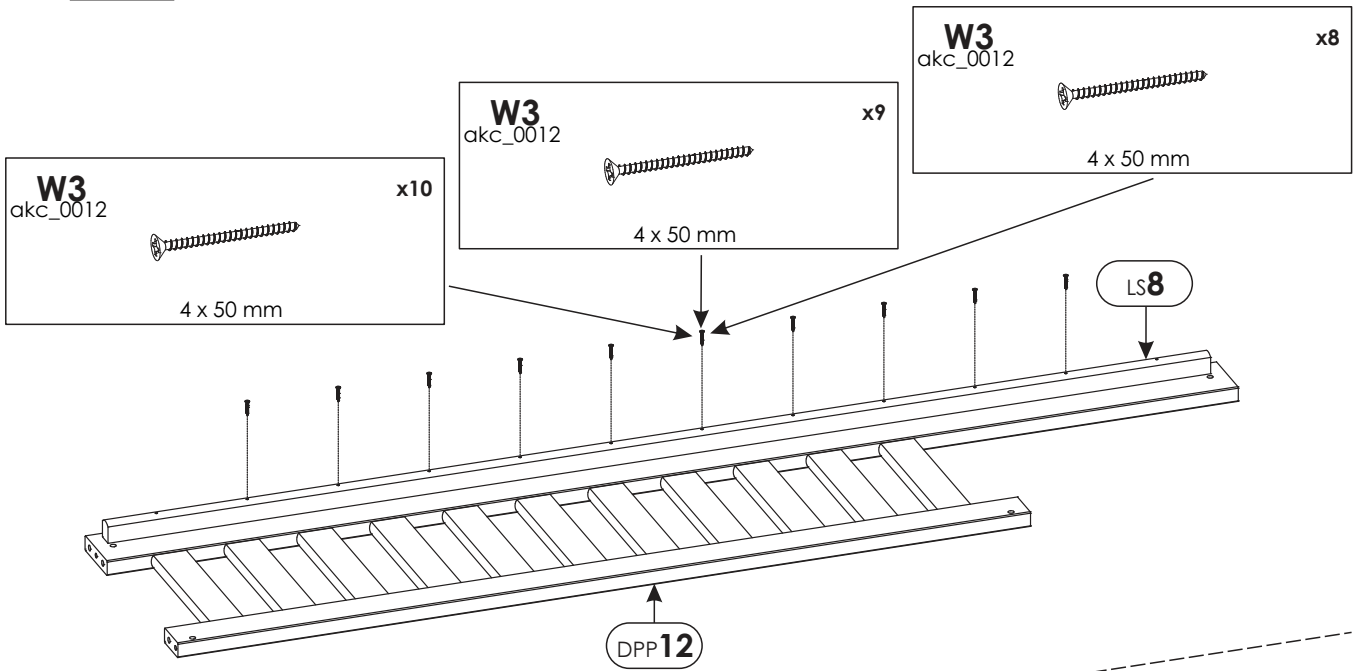
11.1



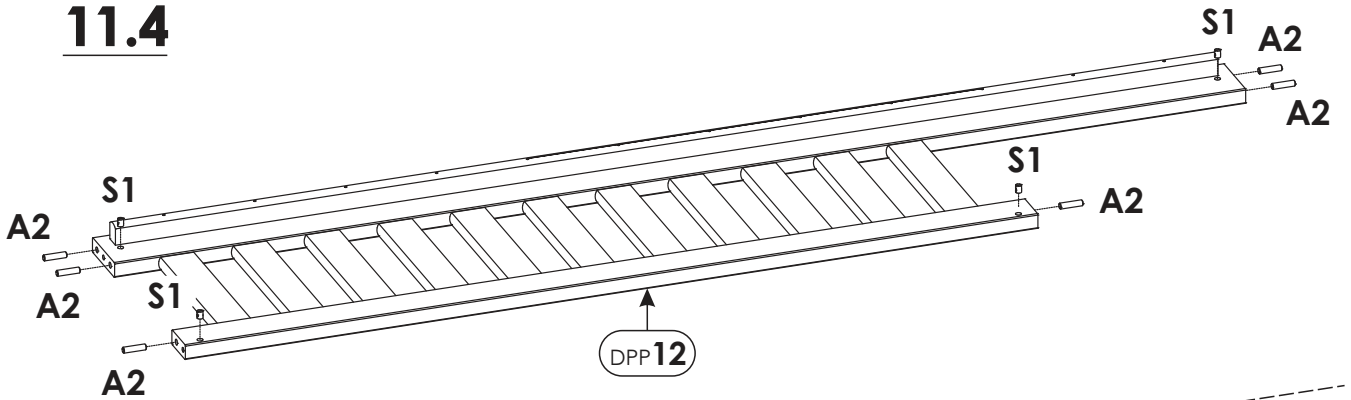
11.2



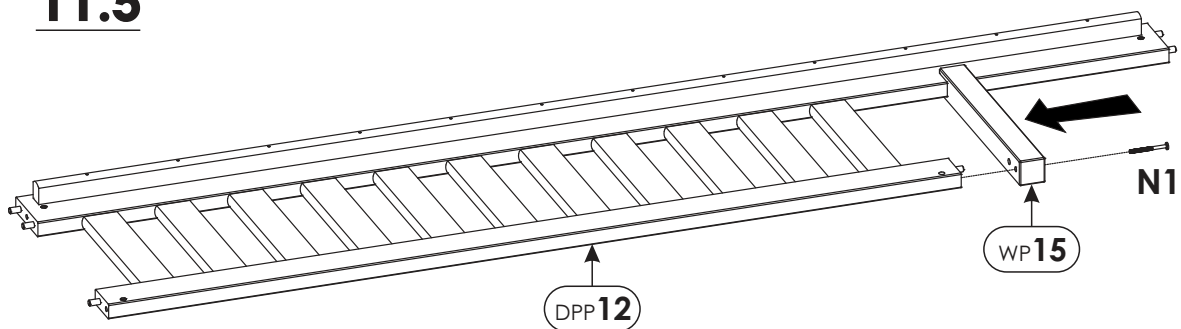
11.3



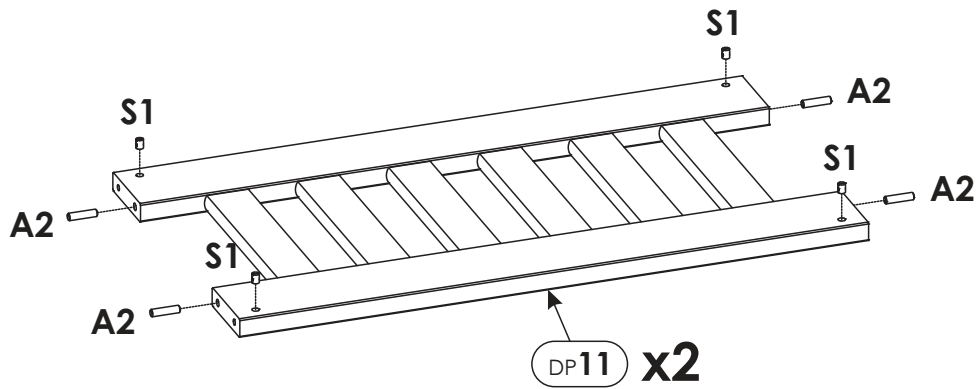
11.4



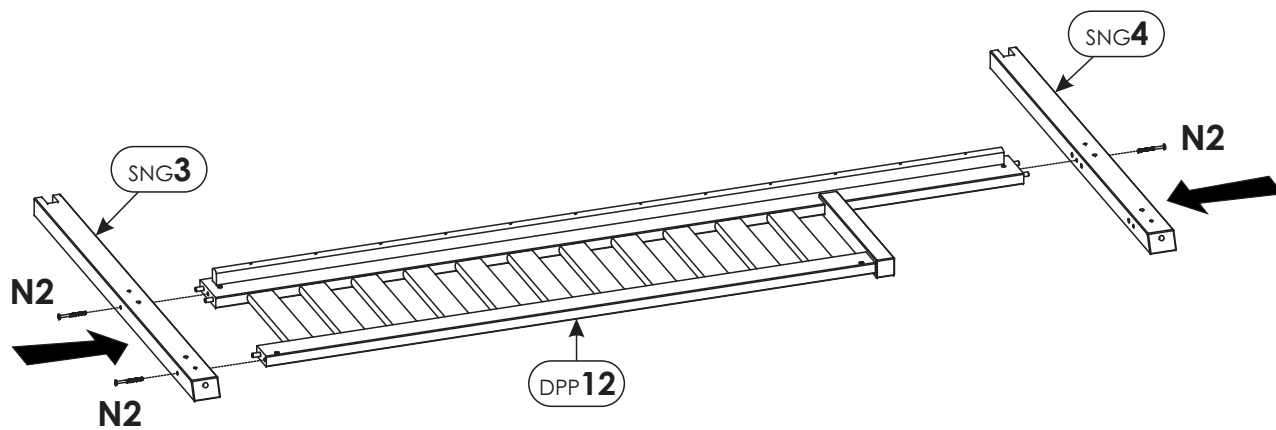
11.5



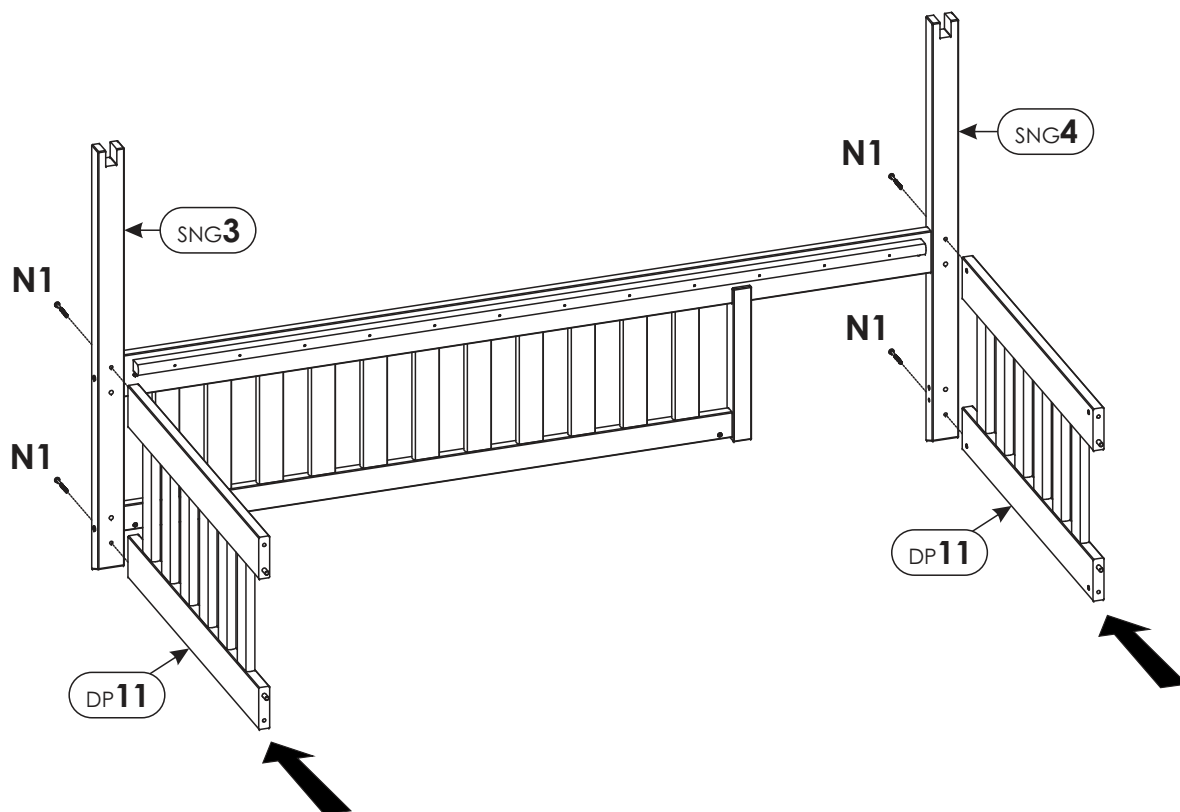
12.



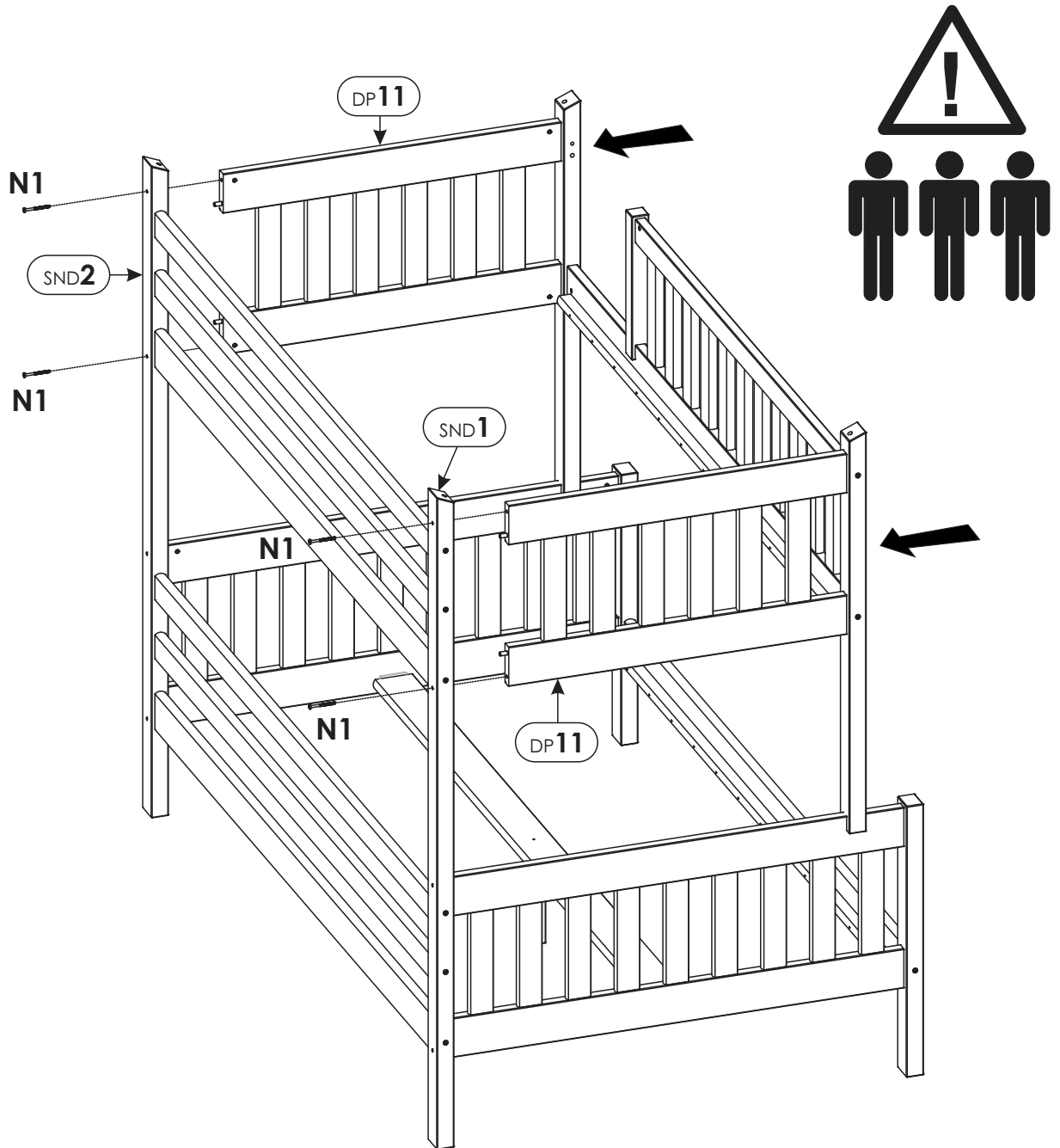
13.



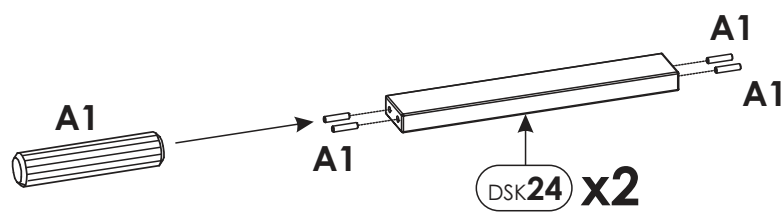
14.



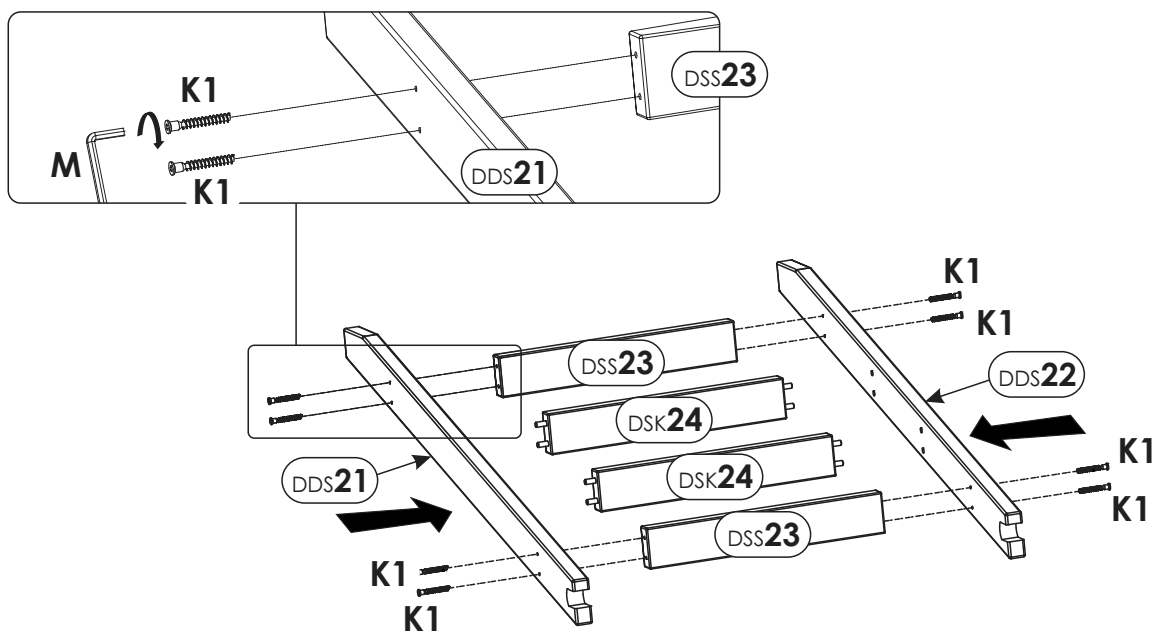
15.



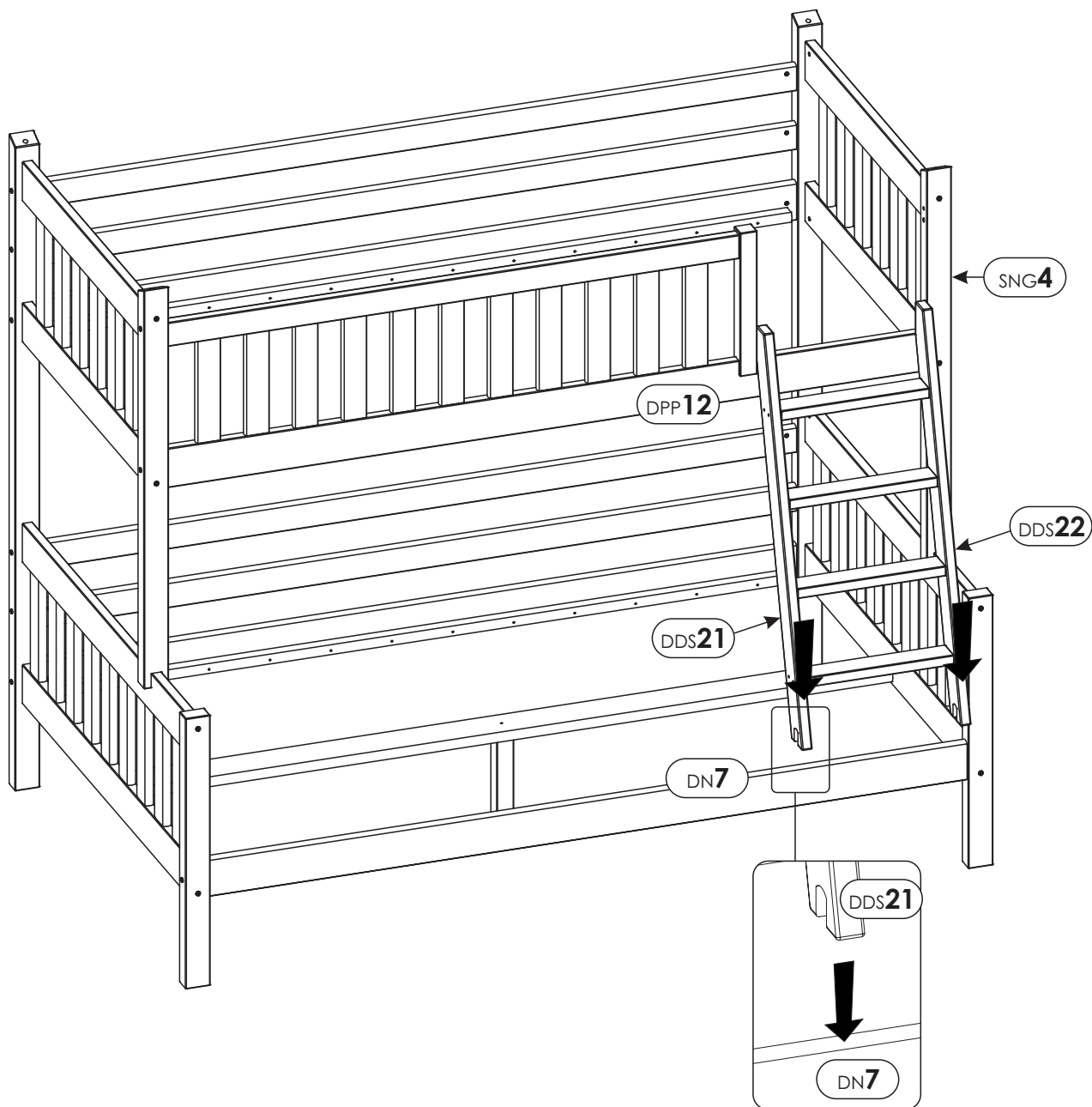
16.



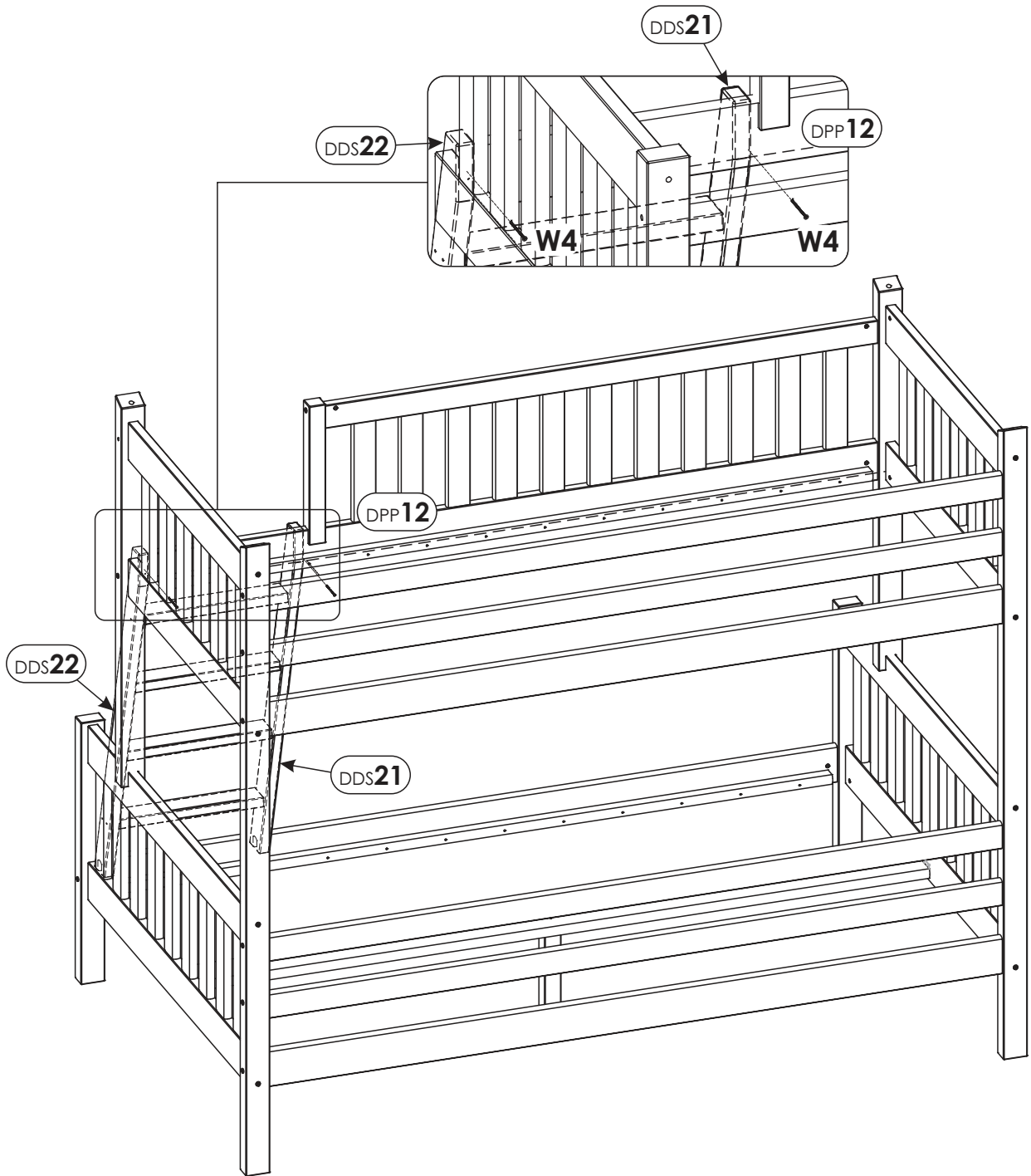
17.



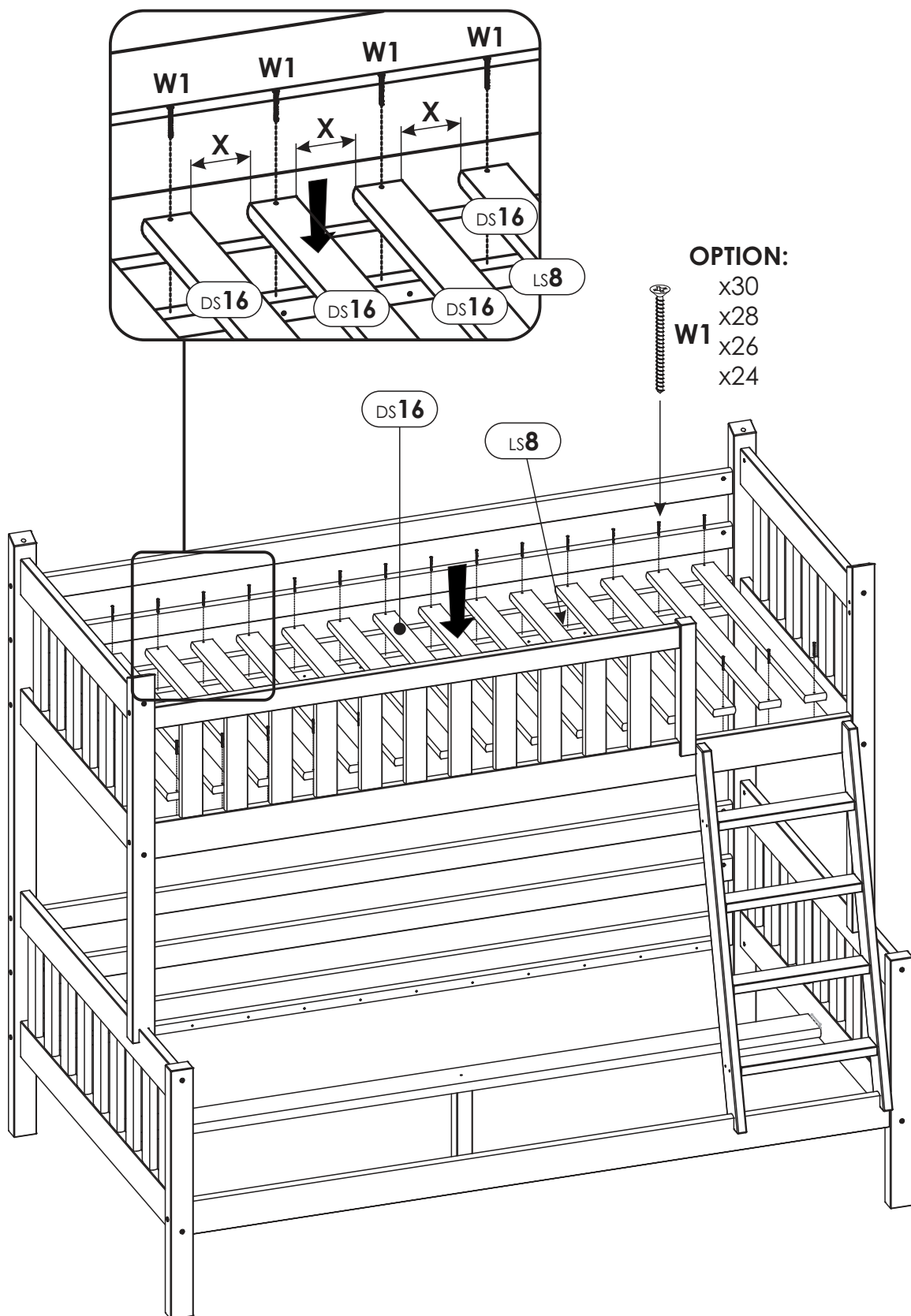
18.



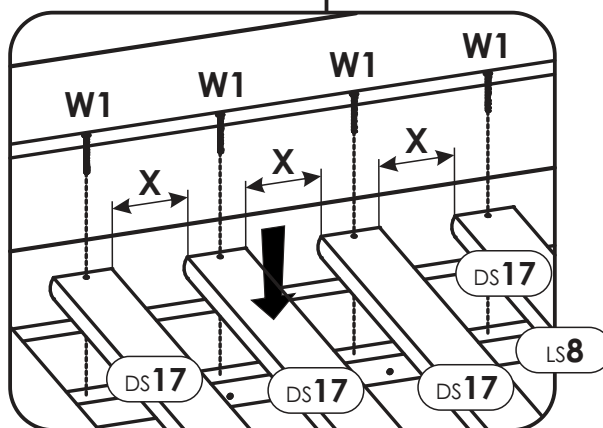
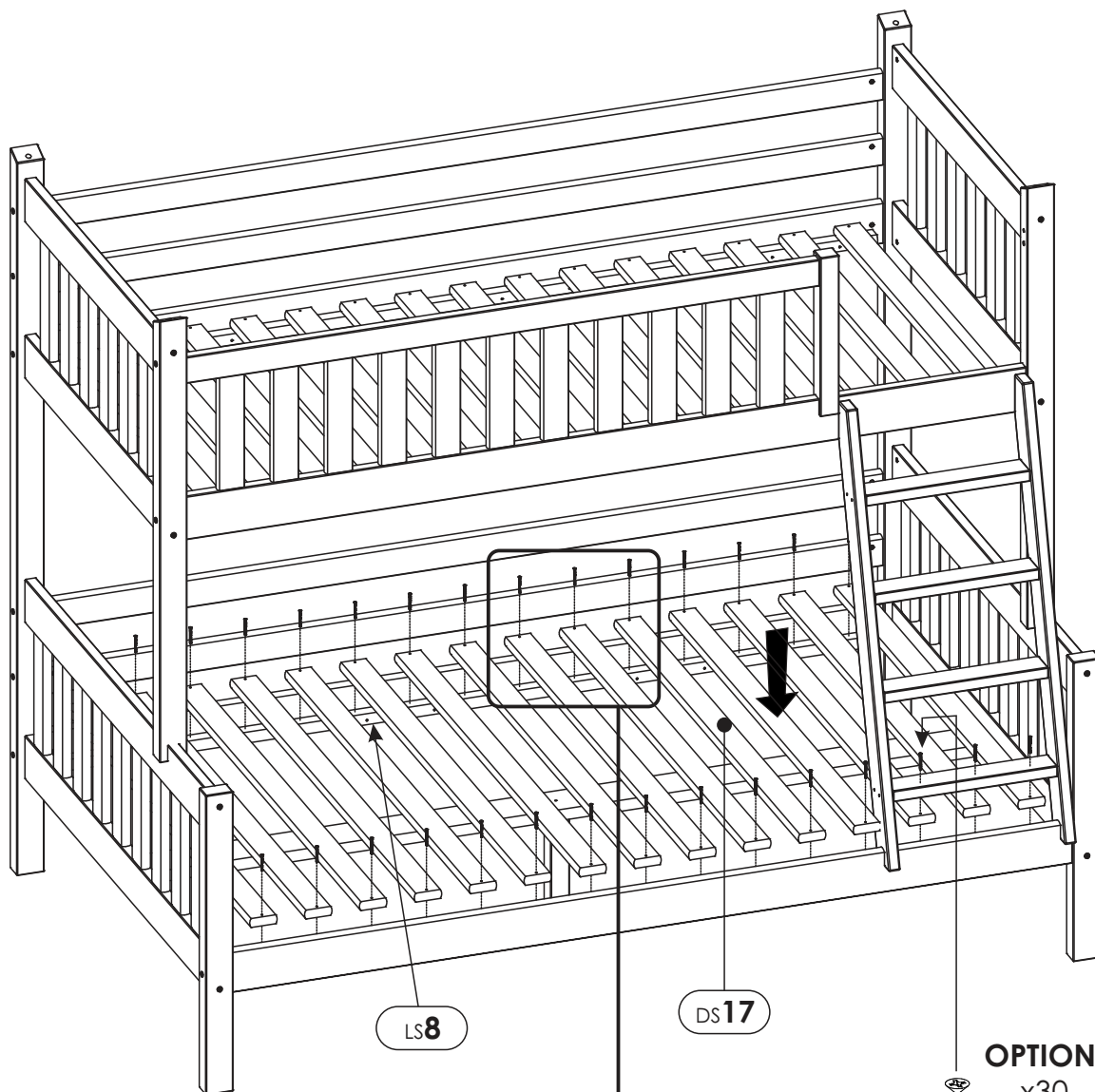
19.




20.

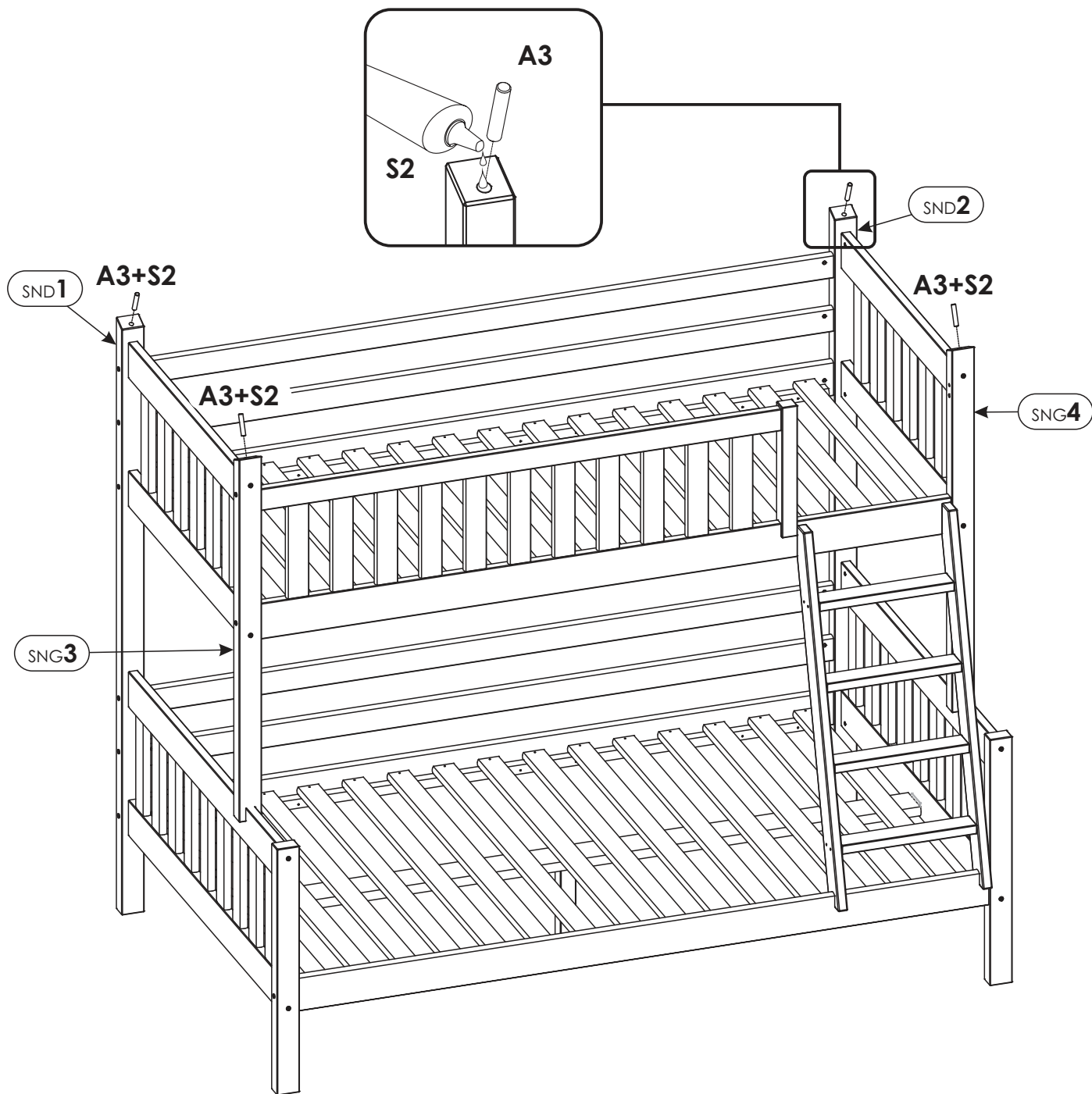


21.

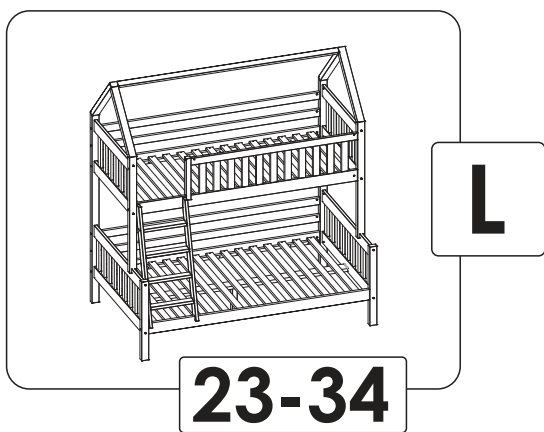


- OPTION:**
- x30
 - x28
 - x26
 - x24
- W1**
- 

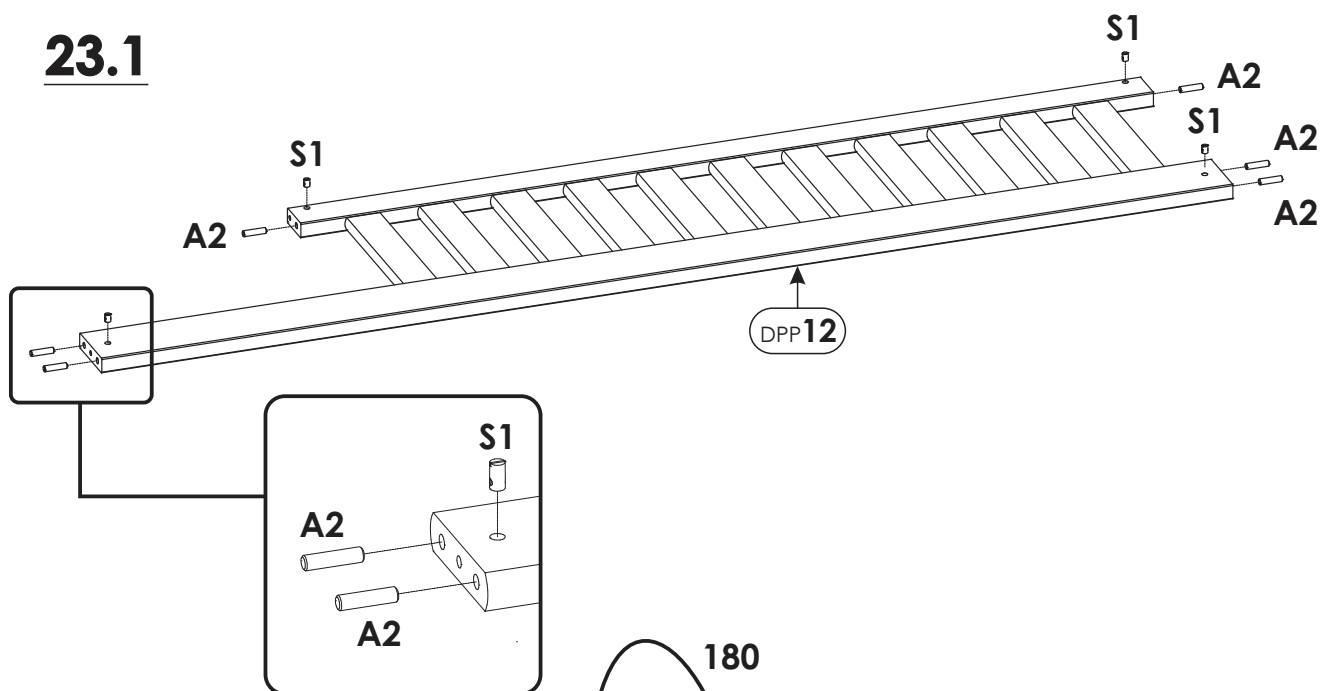
22.



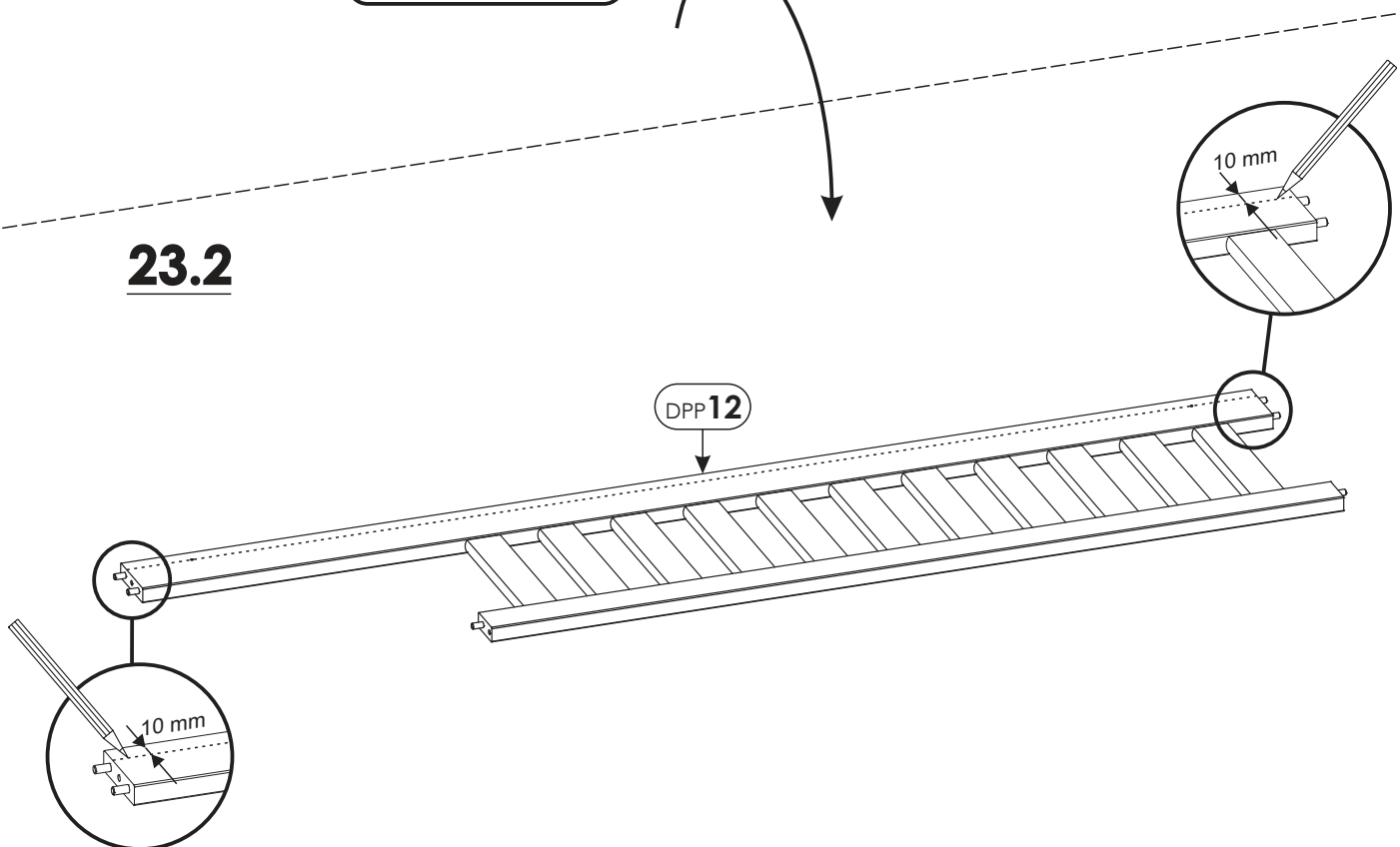
23.



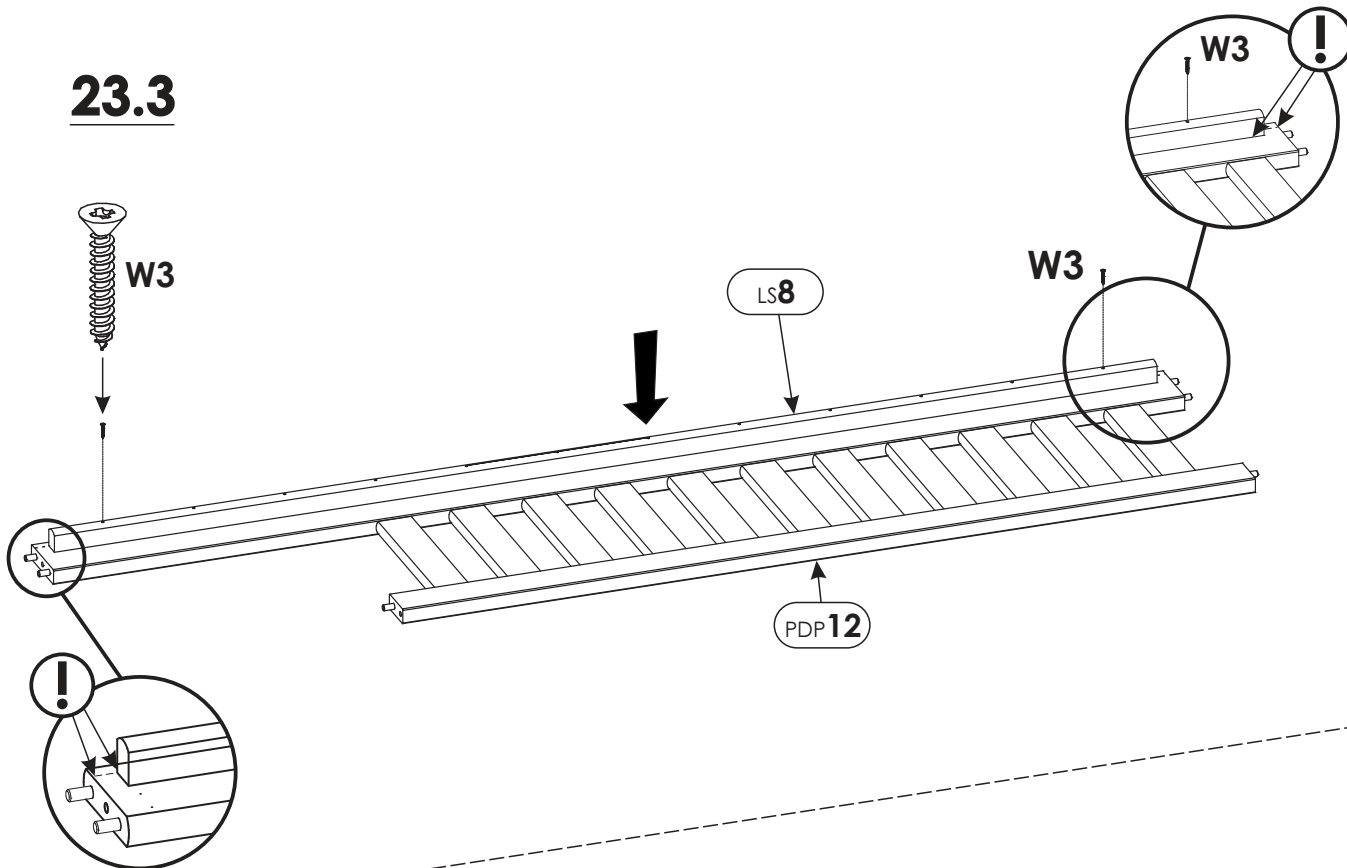
23.1



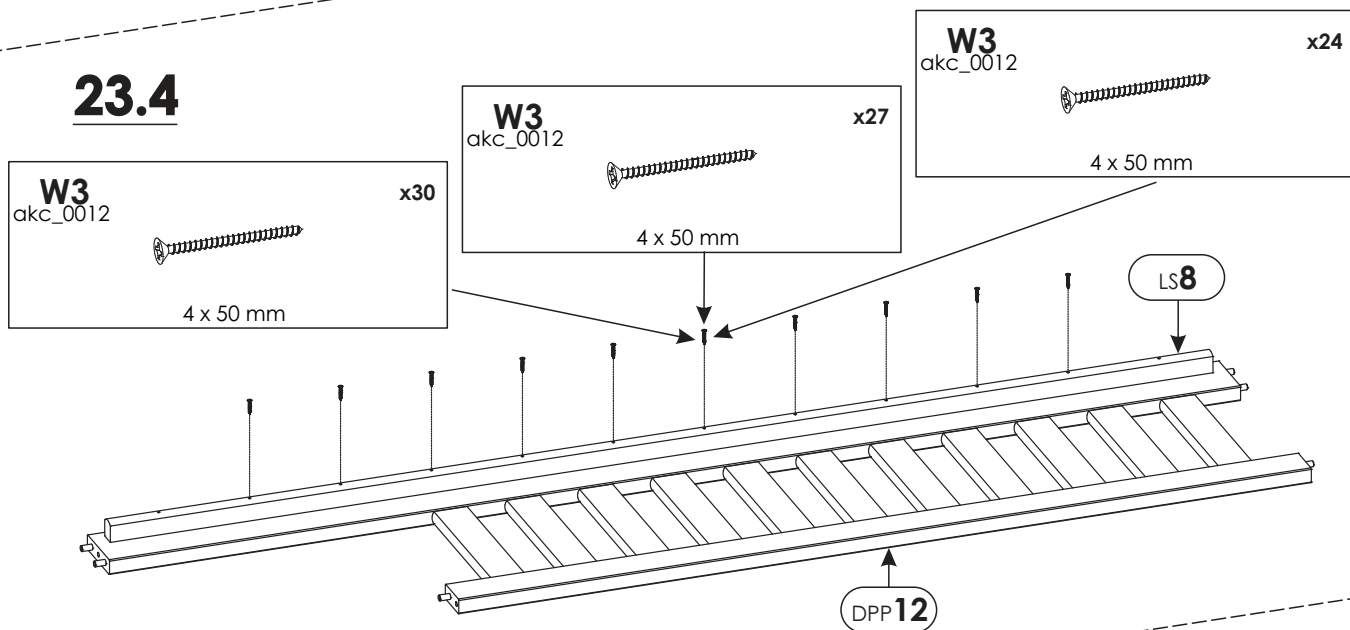
23.2



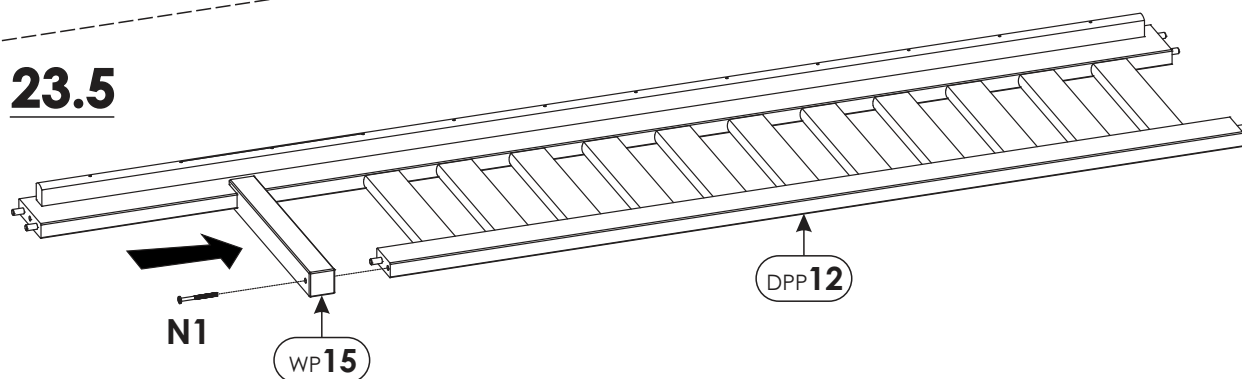
23.3



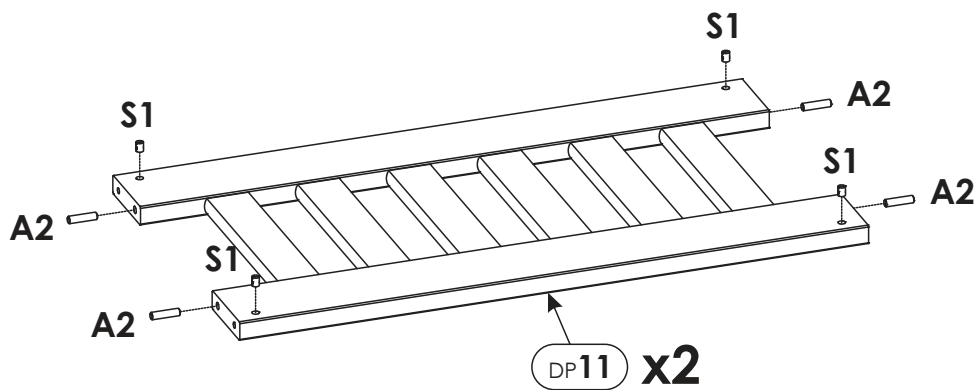
23.4



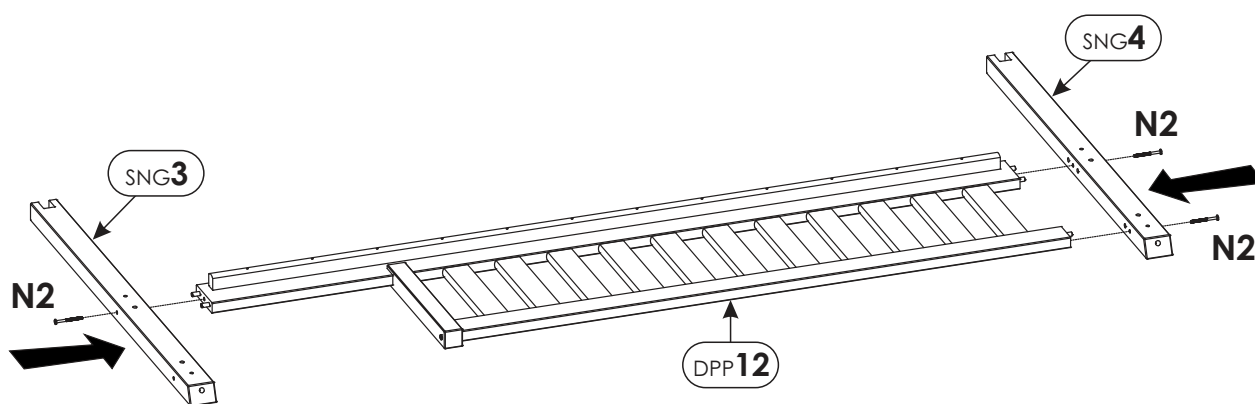
23.5



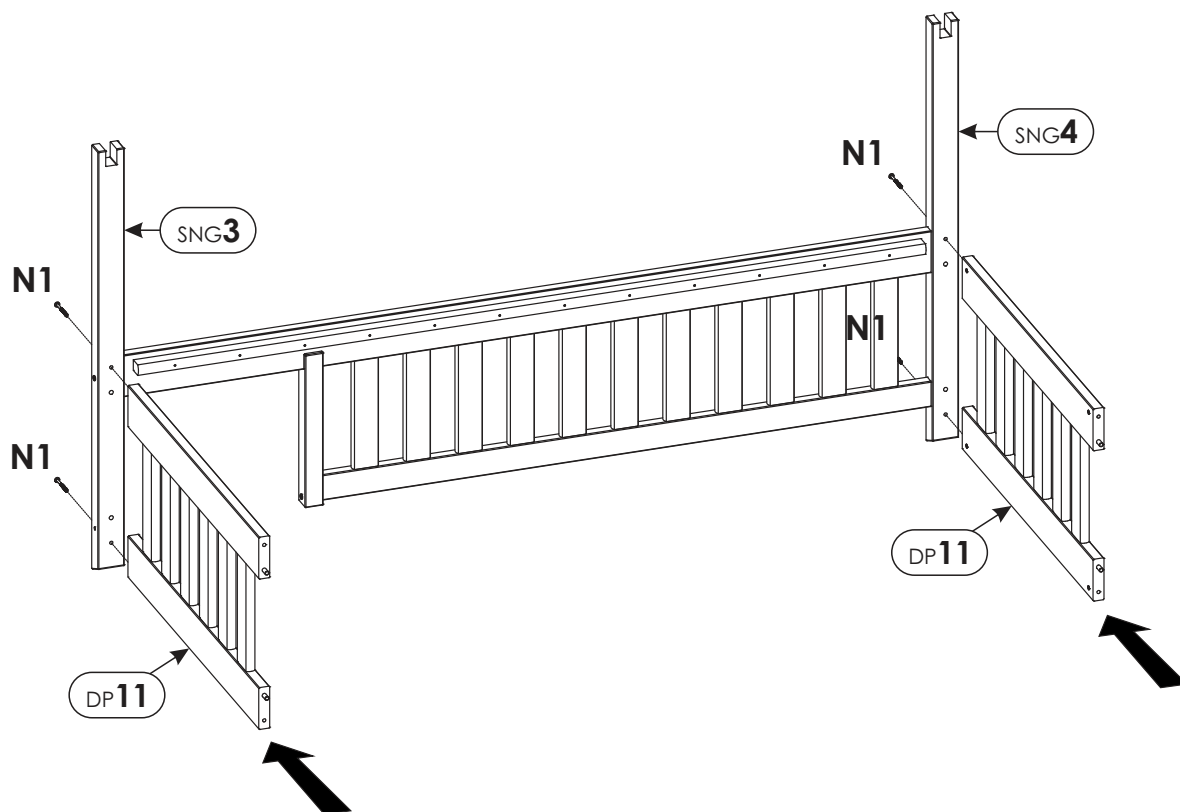
24.



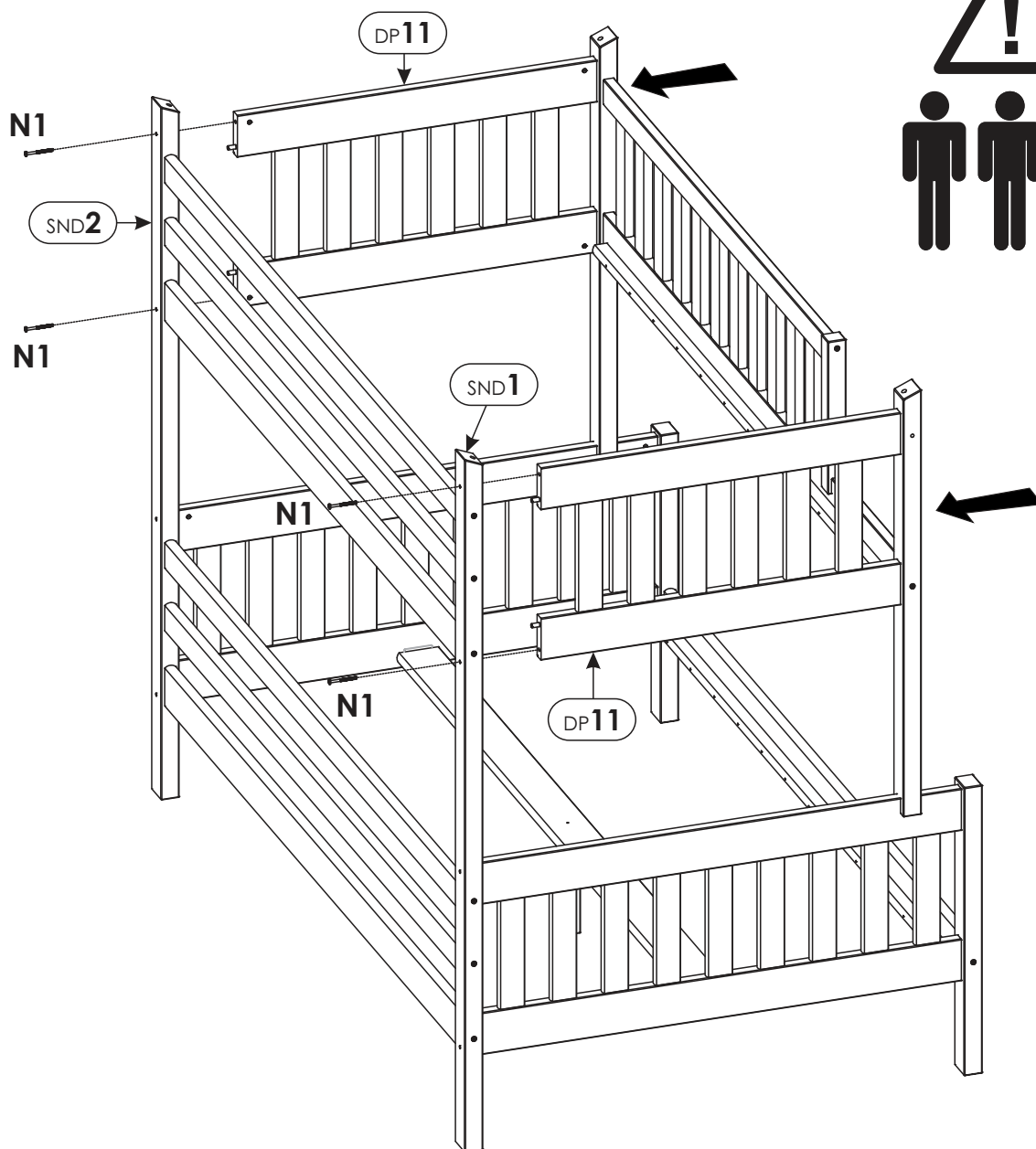
25.



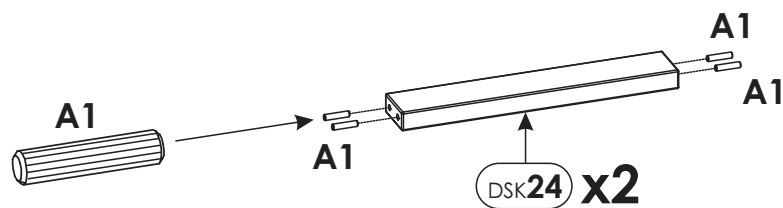
26.



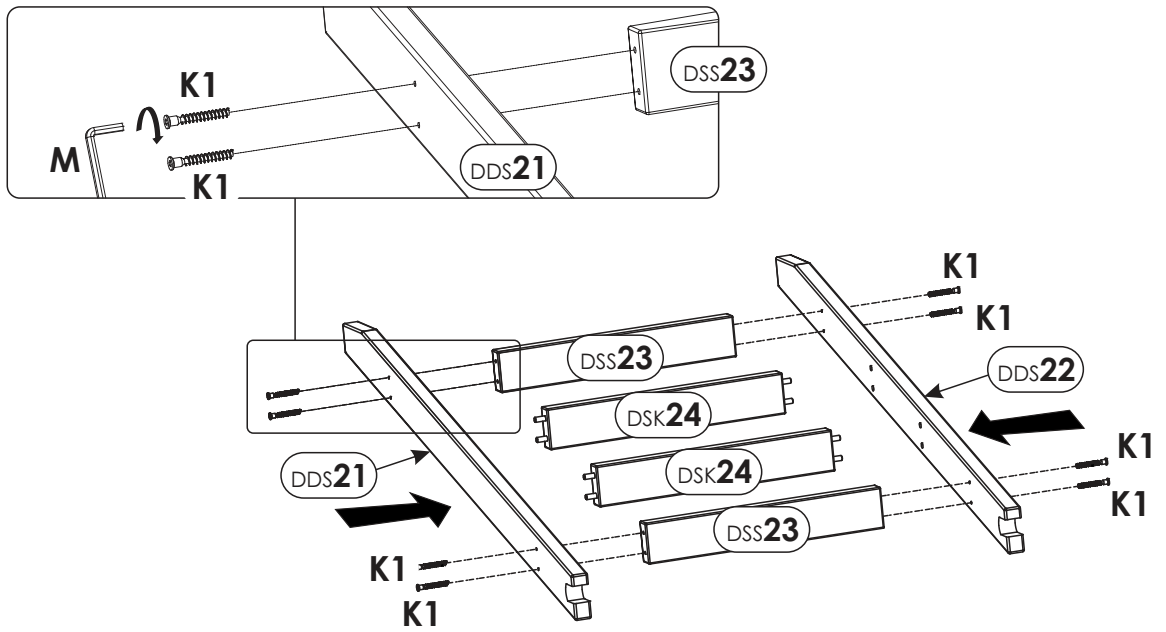
27.



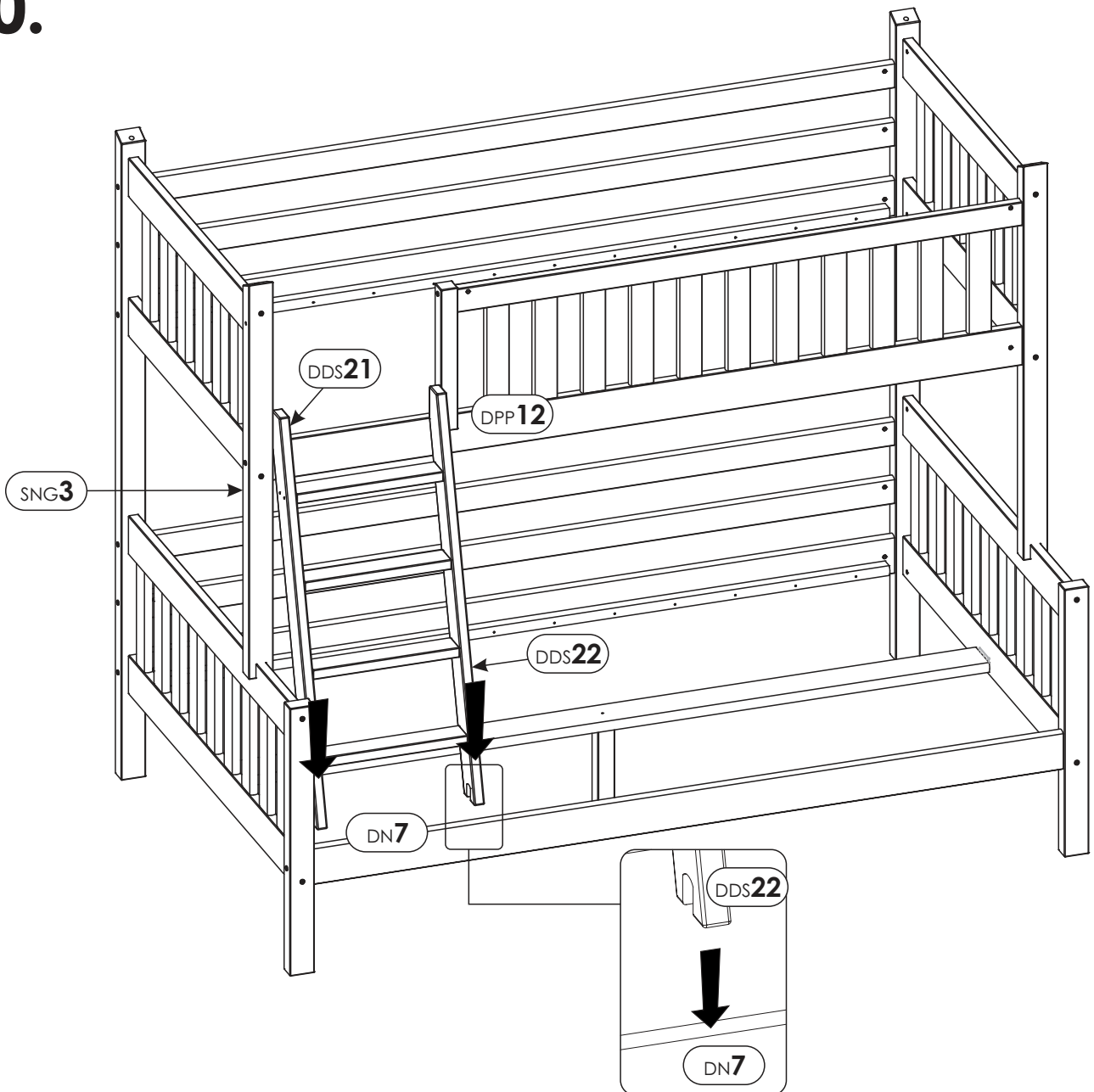
28.



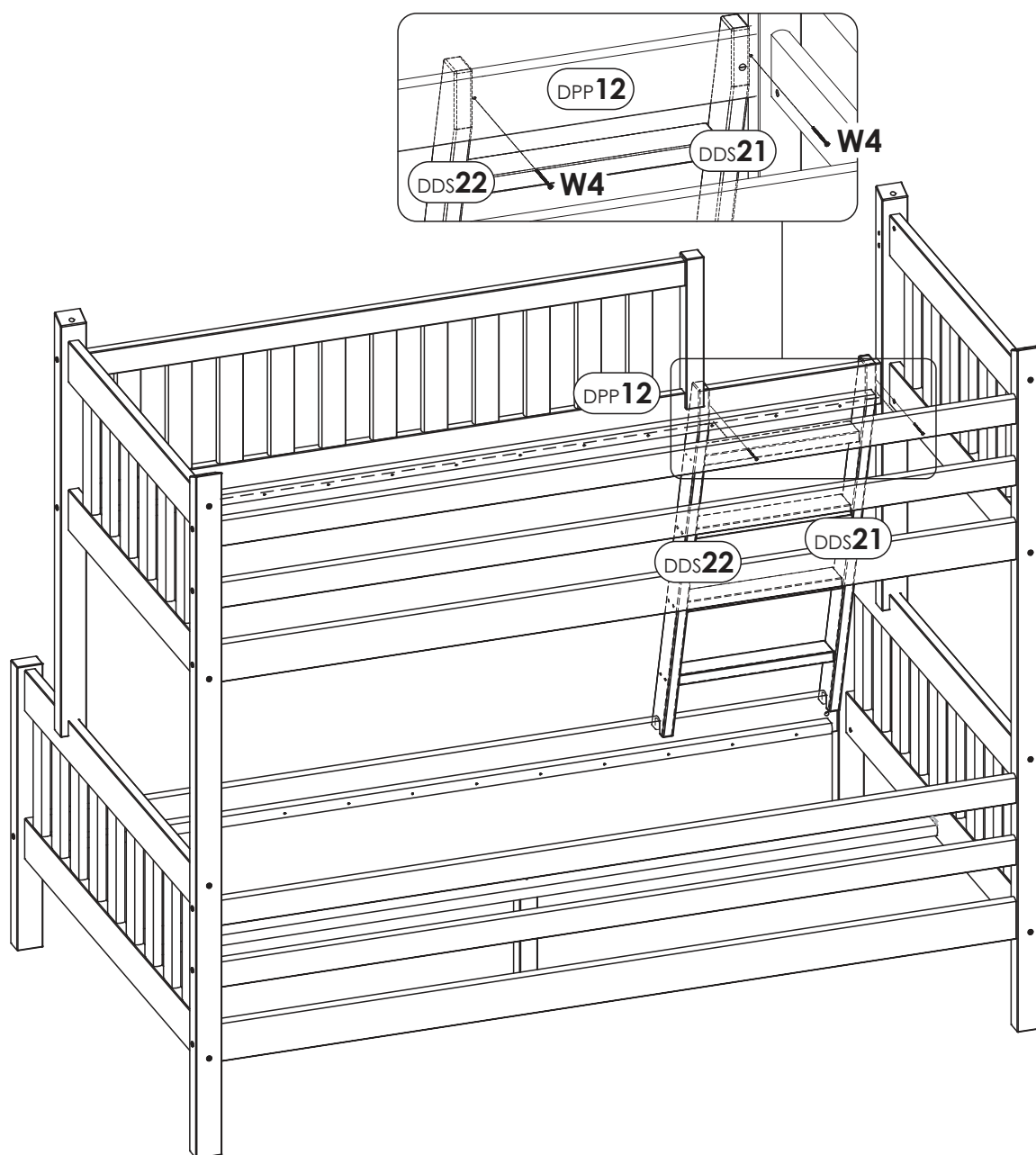
29.



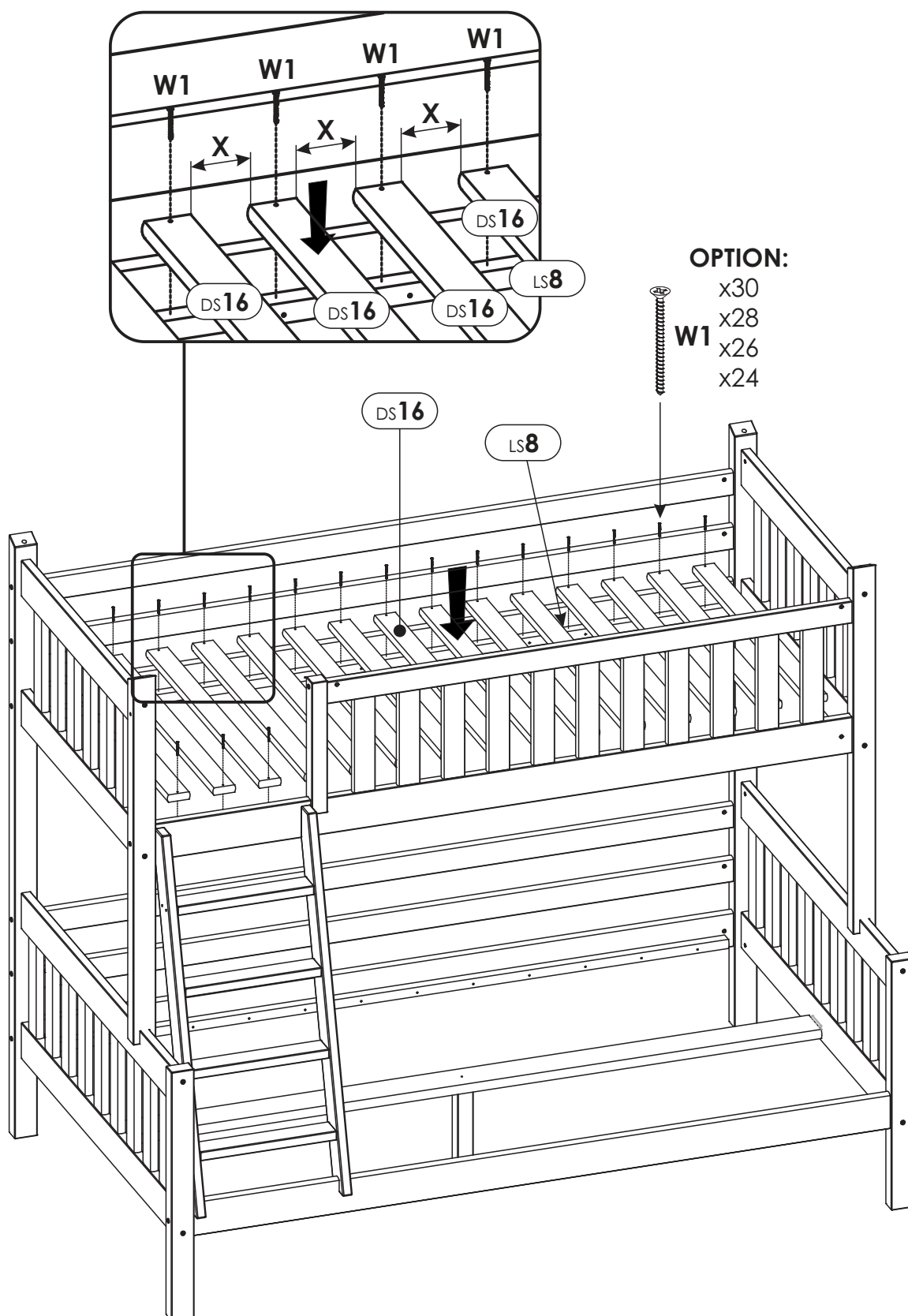
30.



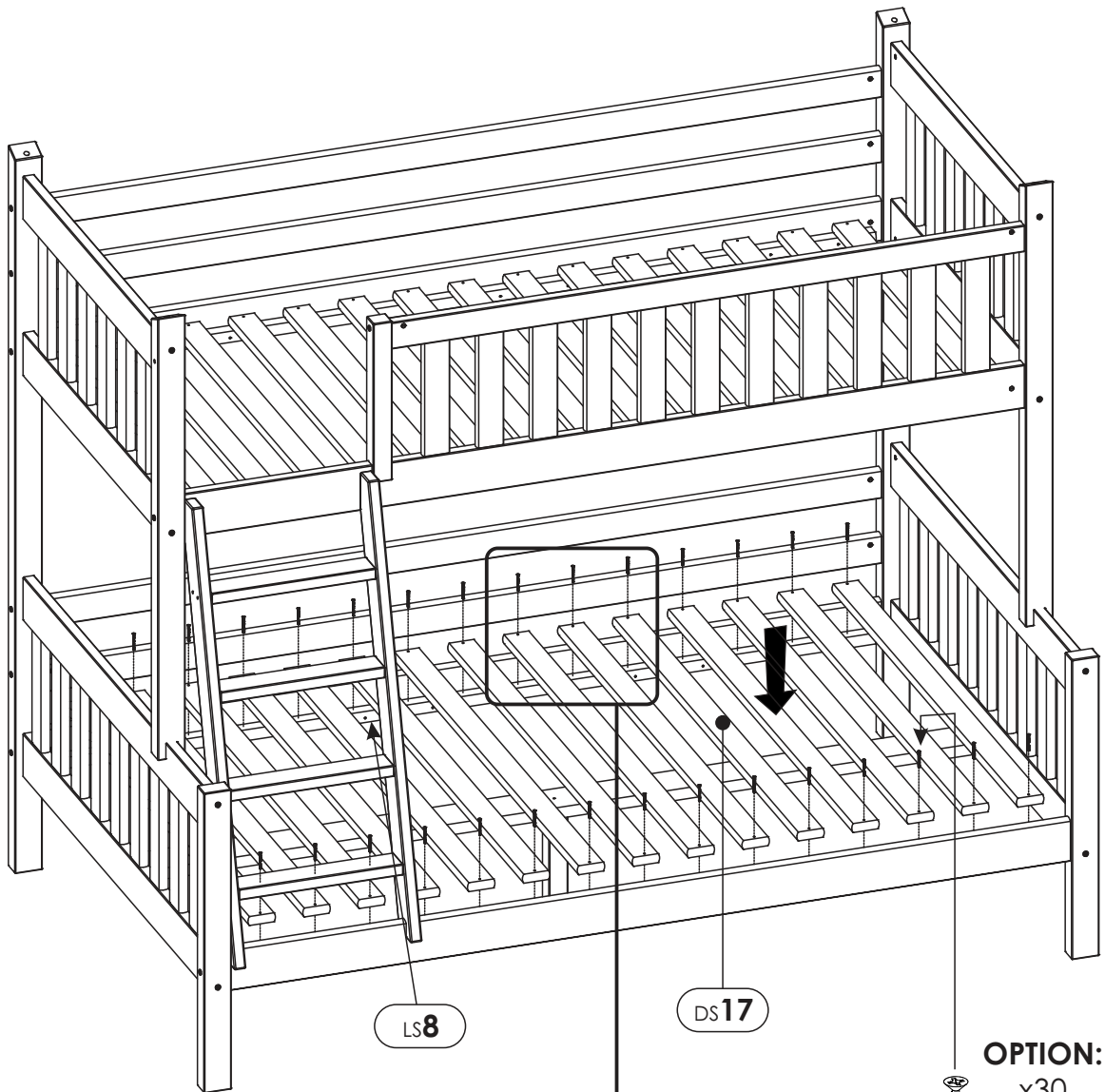
31.



32.




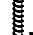


33.

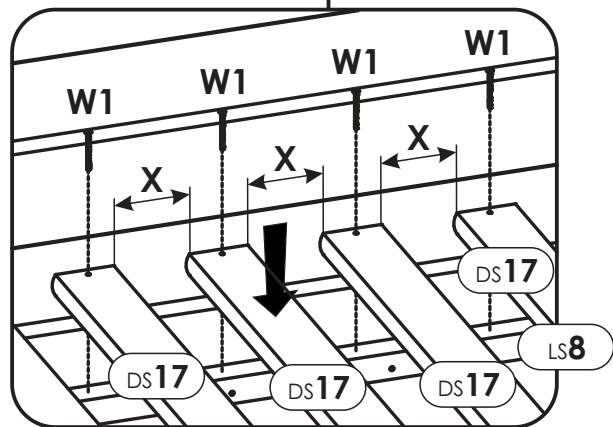


LS 8

DS 17

OPTION:

-  x30
 -  x28
 -  x26
 -  x24
- W1**



W1

W1

W1

W1

X

X

X

DS 17

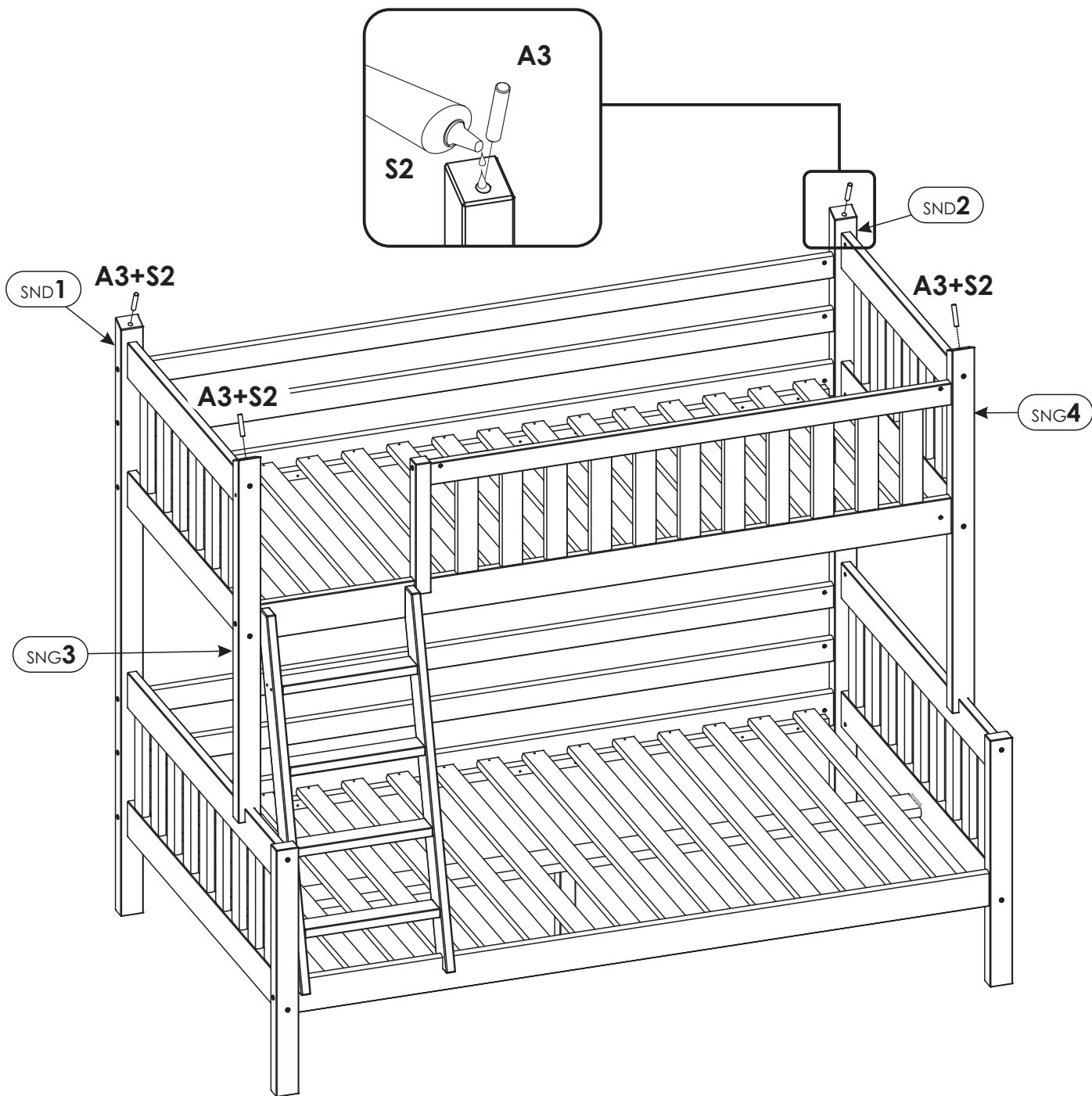
DS 17

DS 17

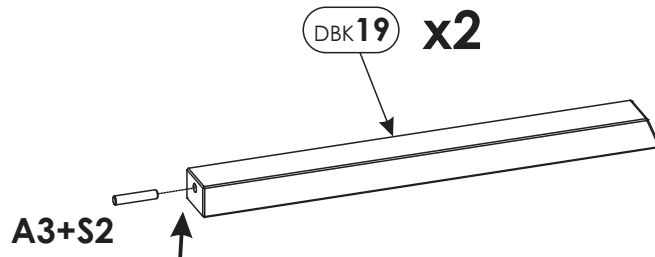
DS 17

LS 8

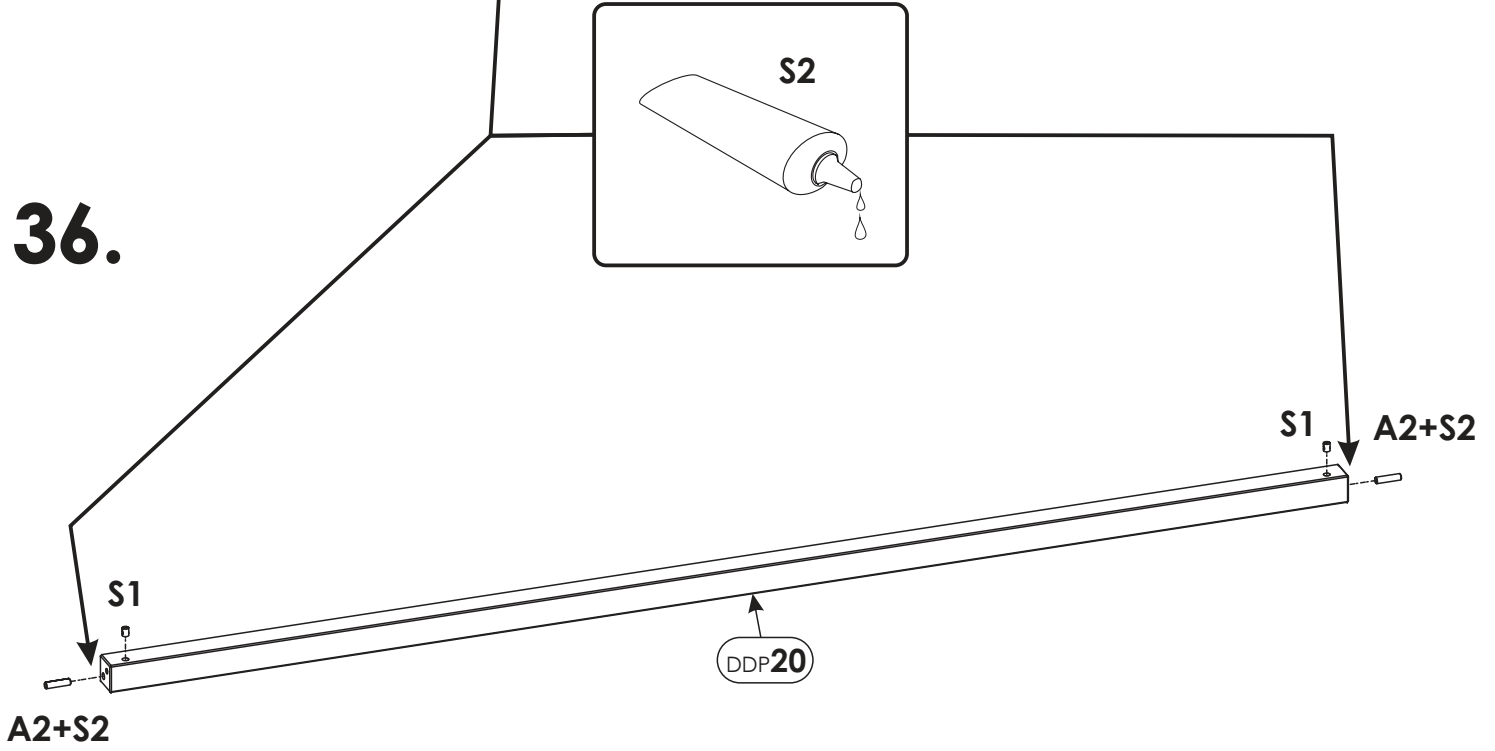
34.



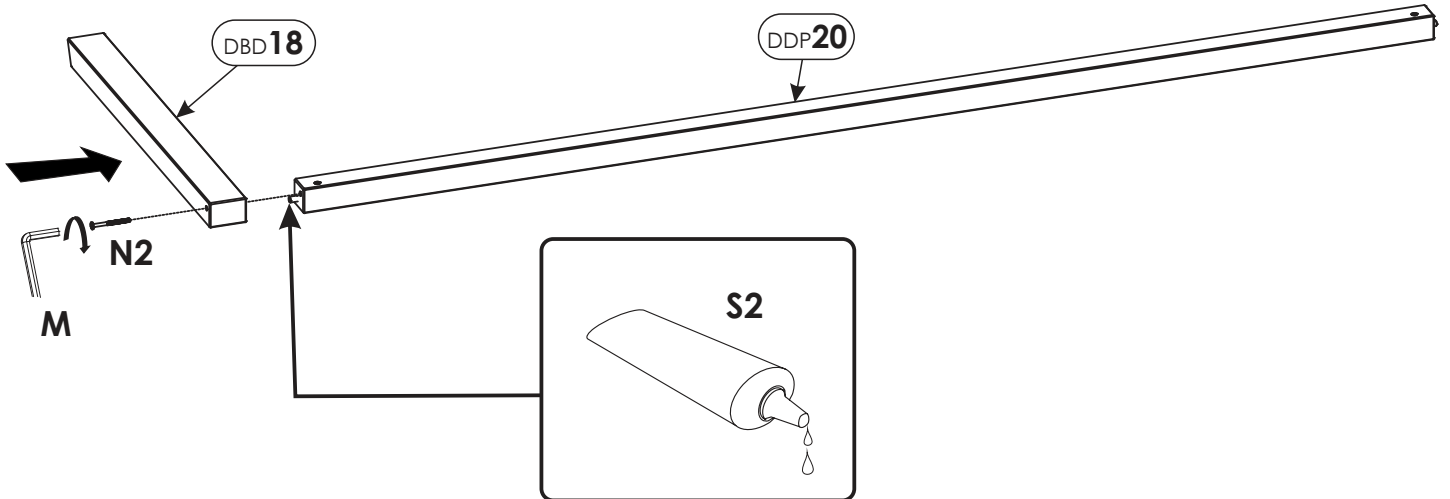
35.



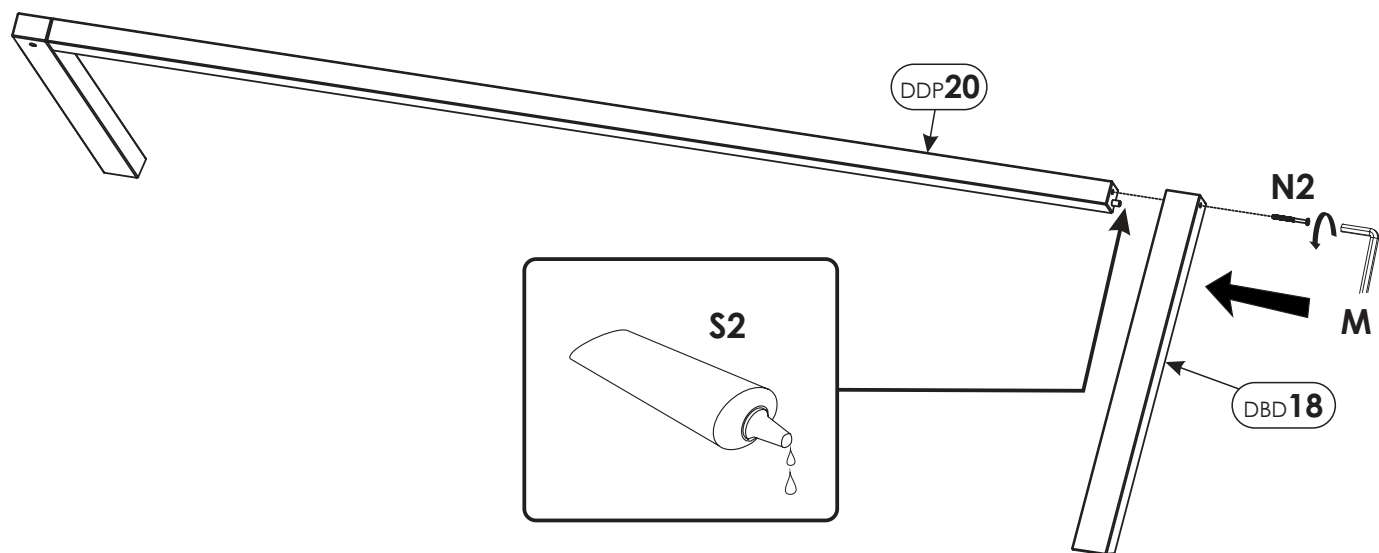
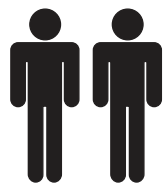
36.



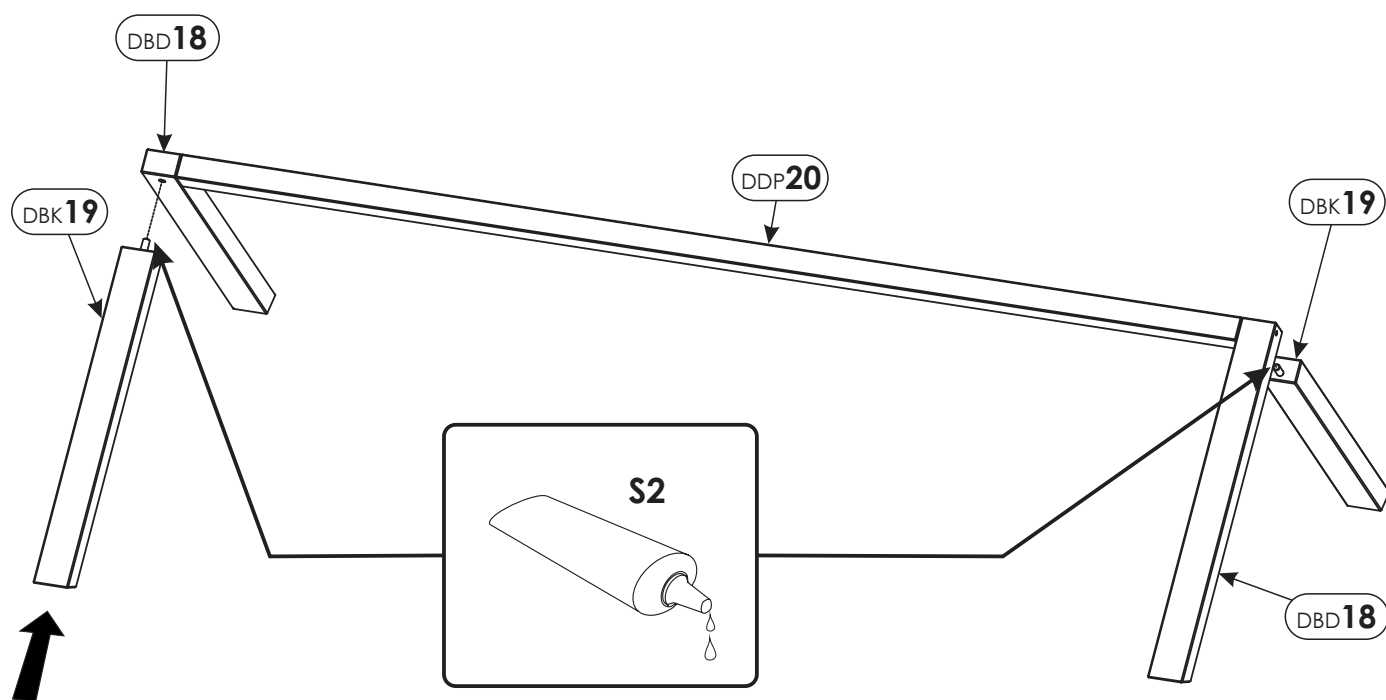
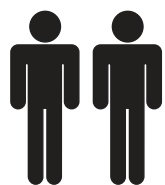
37.



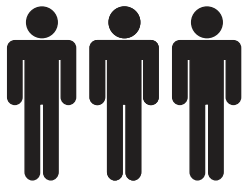
38.



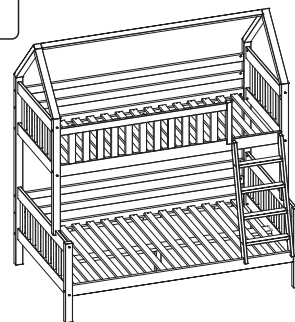
39.



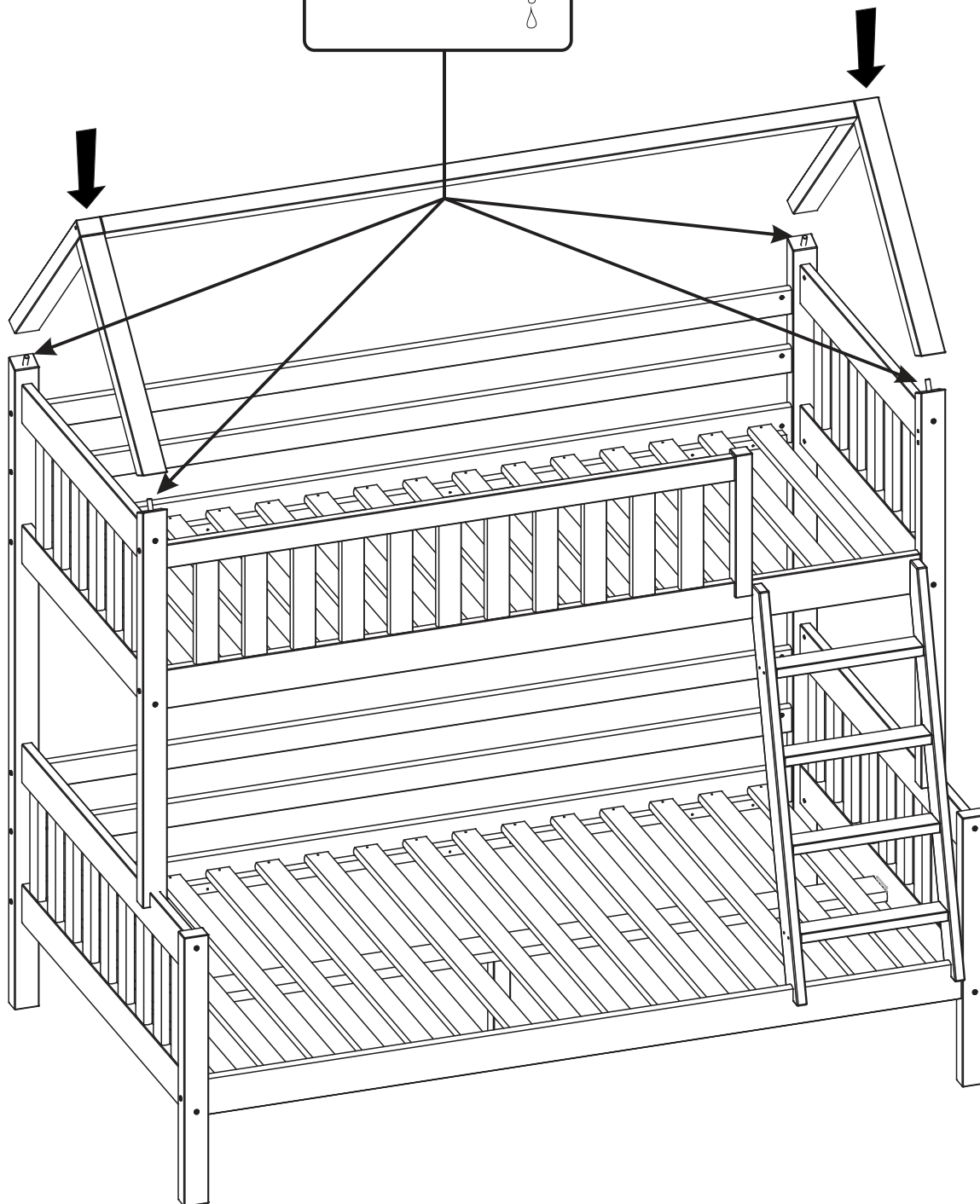
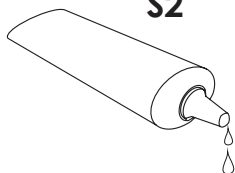
40.



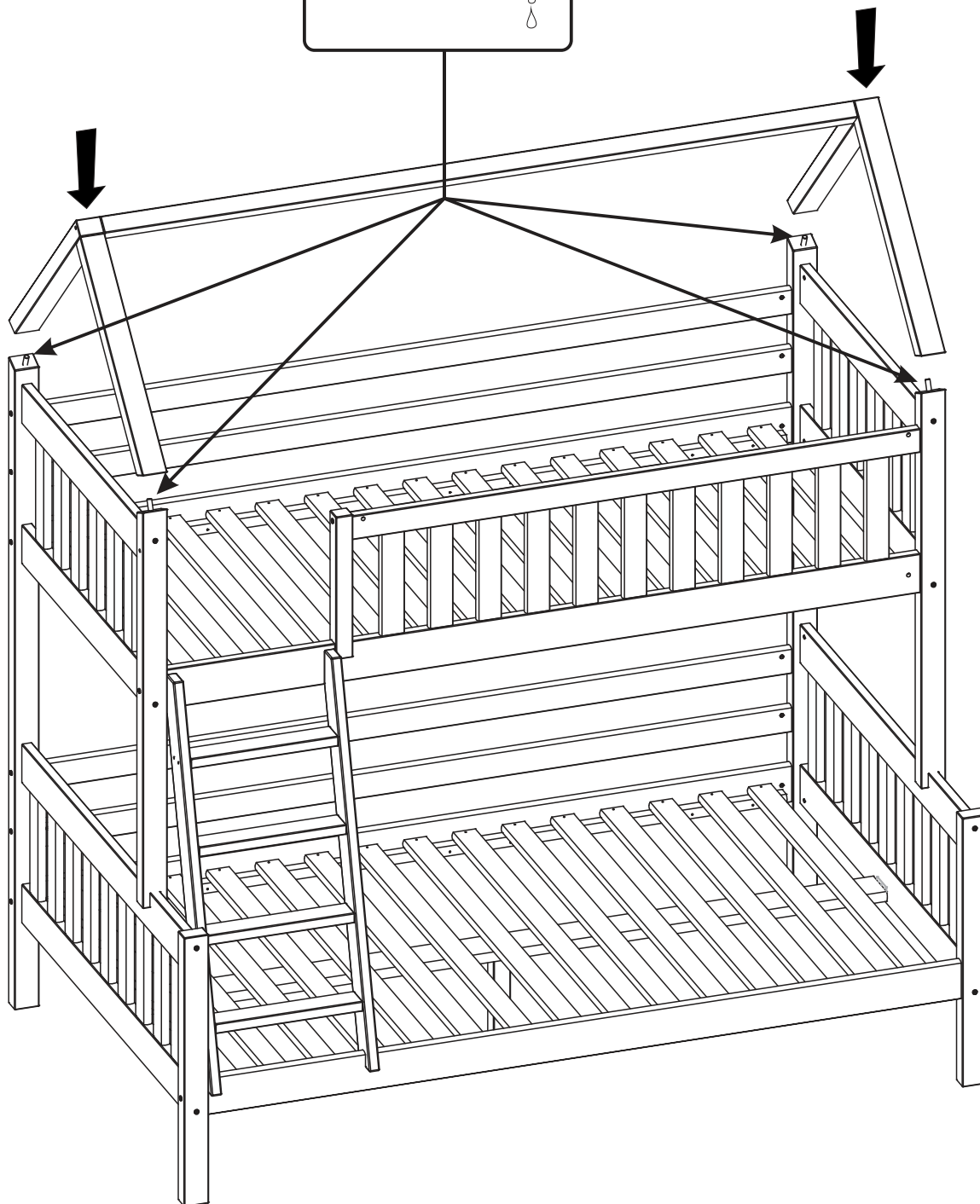
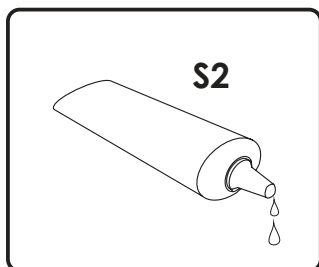
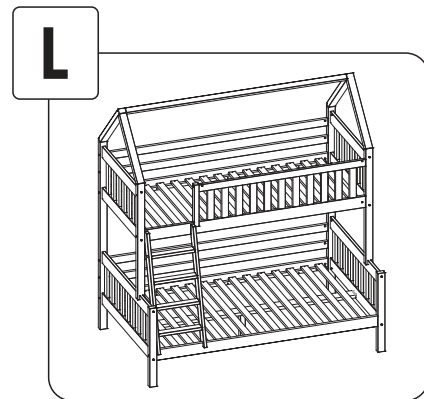
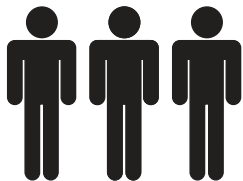
R



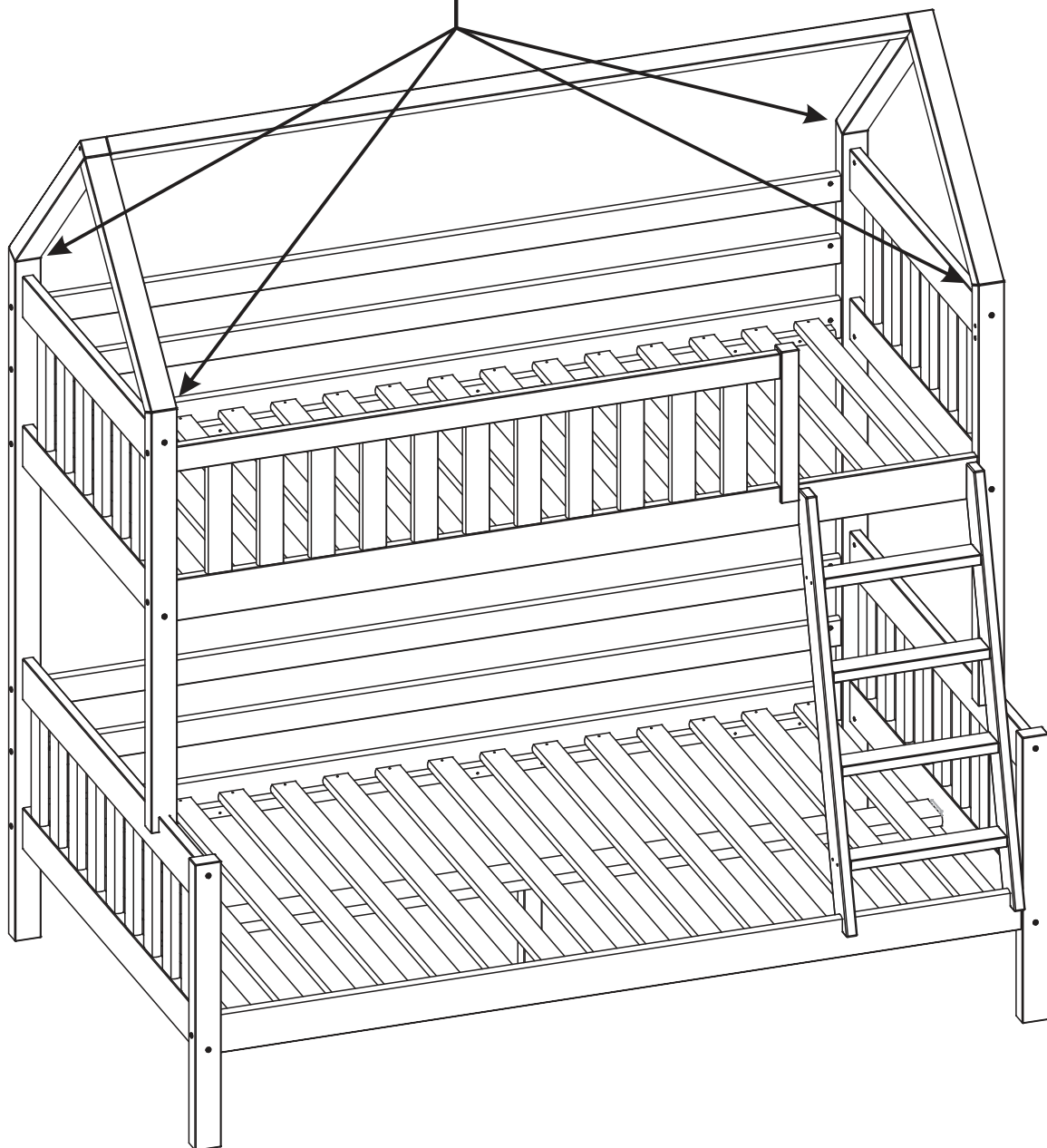
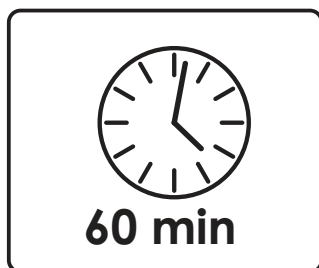
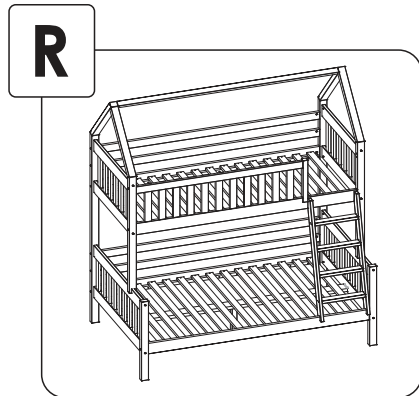
S2



41.



42.



43.

