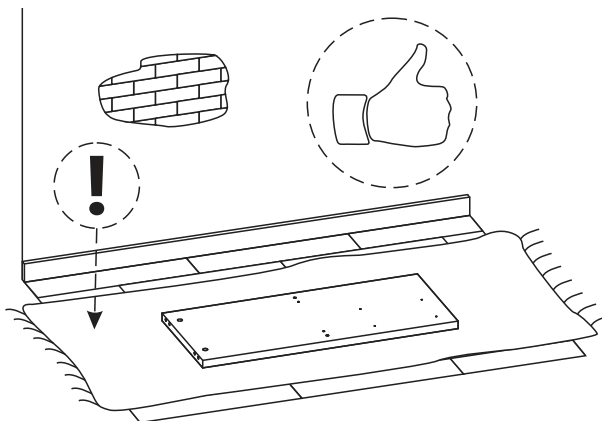
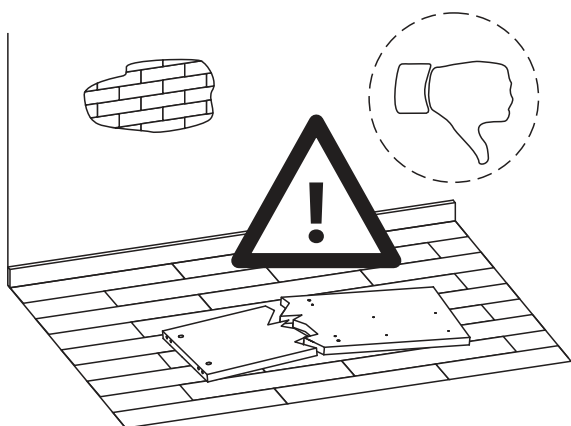
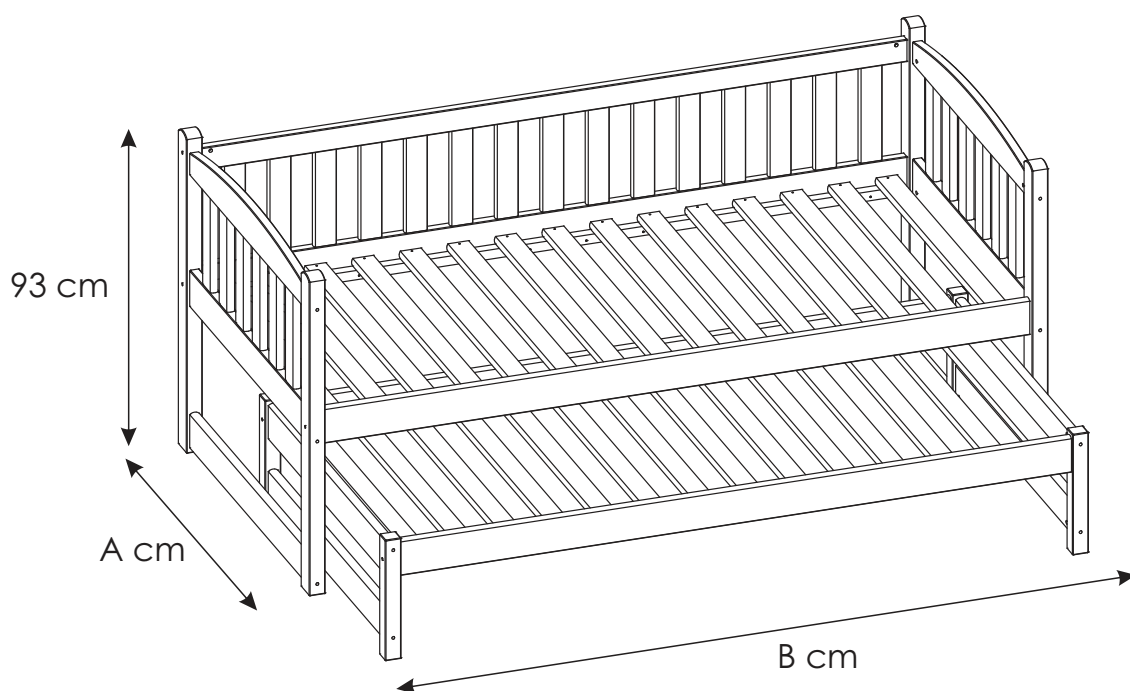
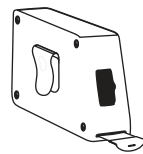
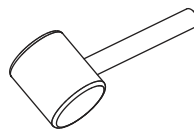
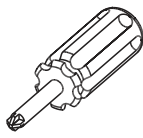
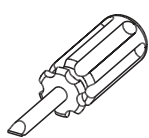
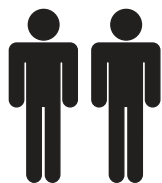
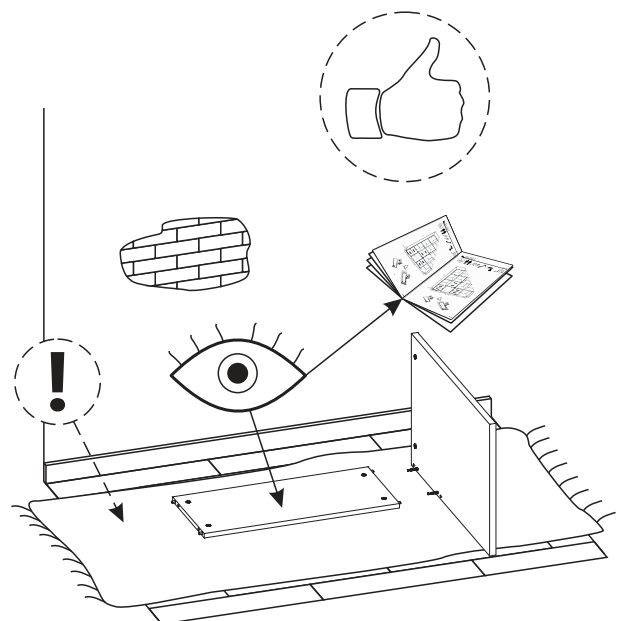
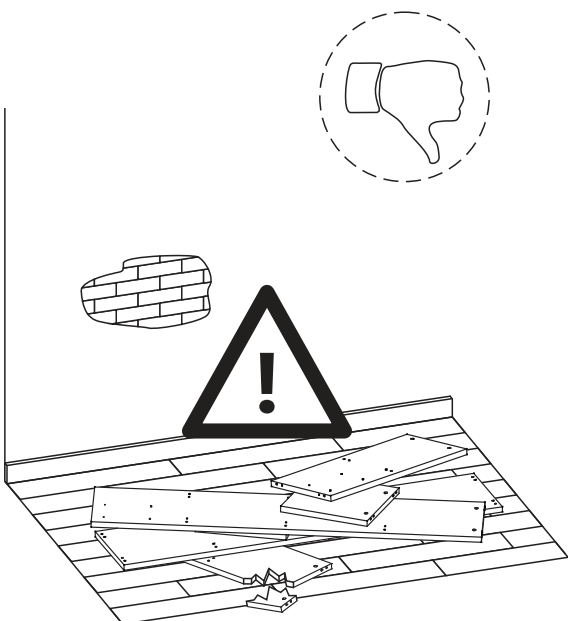
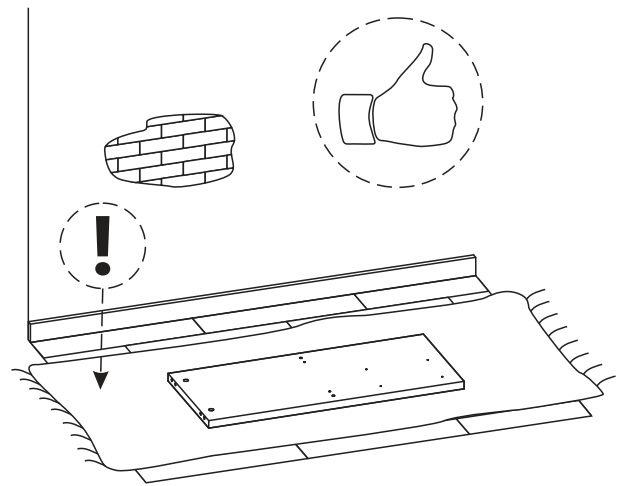
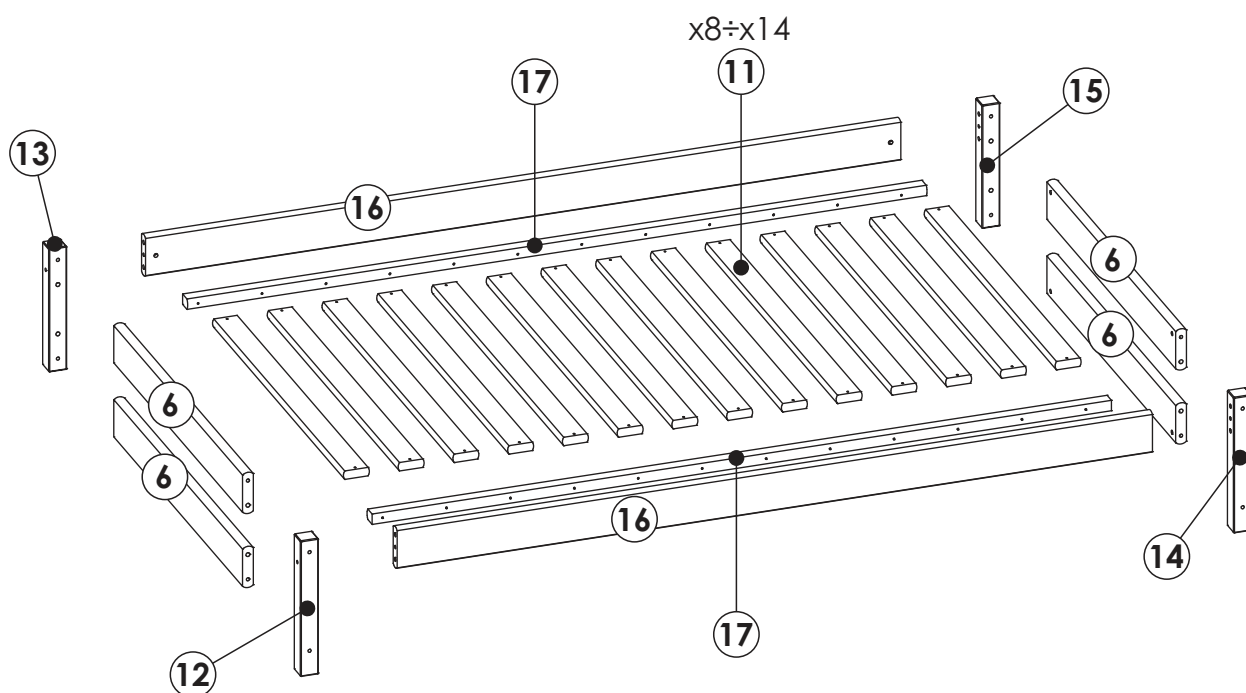
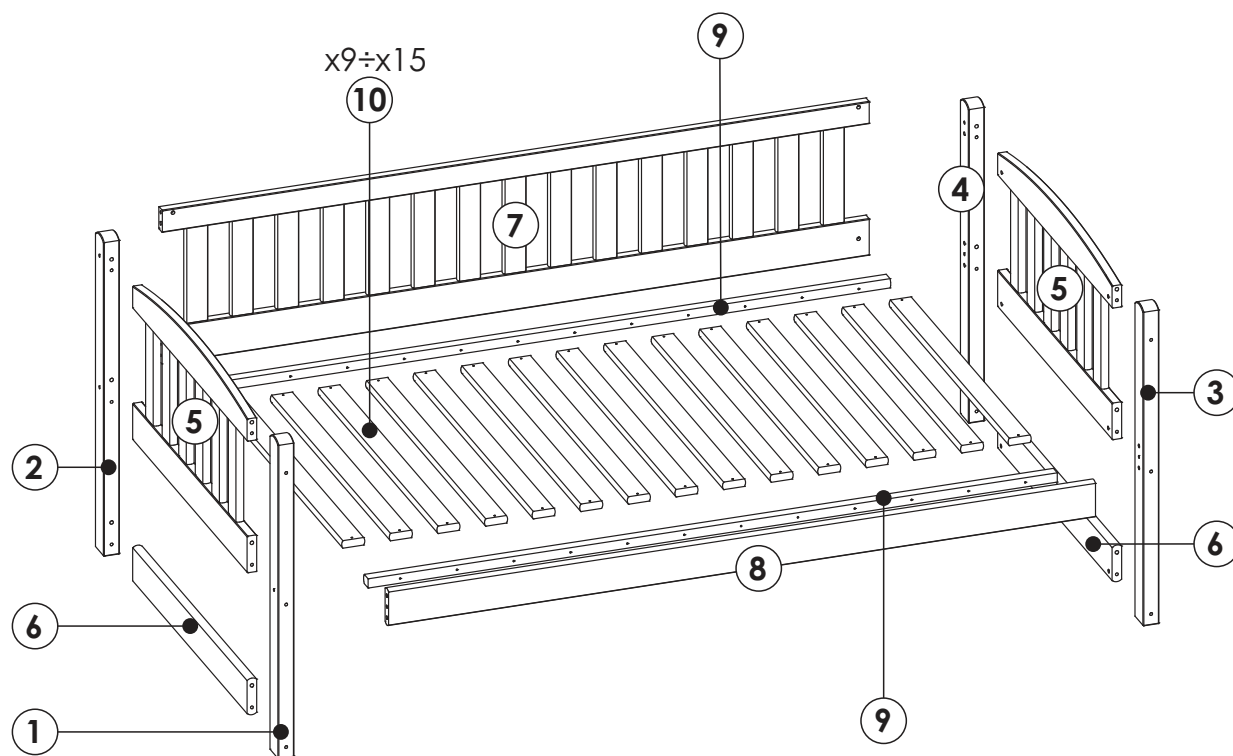
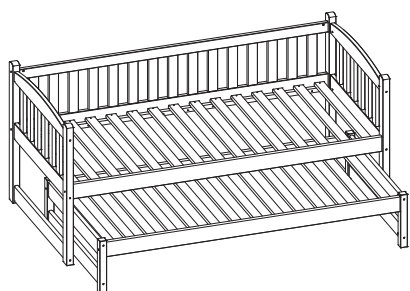


KAJA II





KAJA II



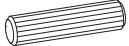


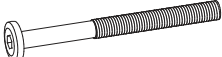

KAJA II

NPL1	928	45	65	x1	KJNPL_02250
NTL2	928	45	65	x1	KJNTL_02270
NPP3	928	45	65	x1	KJNPP_02260
NTP4	928	45	65	x1	KJNTP_02280
PBB5	585, 685, 785, 885, 985	491	27	x2	PS_00470 DP_00480 DB_00610
DST6	585, 685, 785, 885, 985	107	27	x6	DST_00120
PDP7	1190, 1390, 1590, 1690, 1790, 1890, 1990	449	27	x1	PS_00470 DPDC_00670 DPDC_00680
DN8	1190, 1390, 1590, 1690, 1790, 1890, 1990	107	27	x1	DN_00110
LS9	1140, 1340, 1540, 1640, 1740, 1840, 1940	35	27	x2	LS_00160
WPL12	352	45	45	x1	NWPL_01060
WTL13	320	45	45	x1	NWTL_01080
WPP14	352	45	45	x1	NWPP_01070
WTP15	320	45	45	x1	NWTP_01090
DND16	1090, 1290, 1490, 1590, 1690, 1790, 1890	107	27	x2	DN_00110
LSD17	1050, 1250, 1450, 1550, 1650, 1750, 1850	35	27	x2	LS_00160


OPTION


DS10	B=2000	620, 720, 820, 920, 1020	65	22	x15	DS_00170
	B=1900				x14	
	B=1800				x13	
	B=1700				x13	
	B=1600				x12	
	B=1400				x10	
	B=1200				x9	
DSD11	B=2000	600, 700, 800, 900, 1000	65	22	x14	DS_00170
	B=1900				x13	
	B=1800				x13	
	B=1700				x12	
	B=1600				x11	
	B=1400				x10	
B=1200	x8					

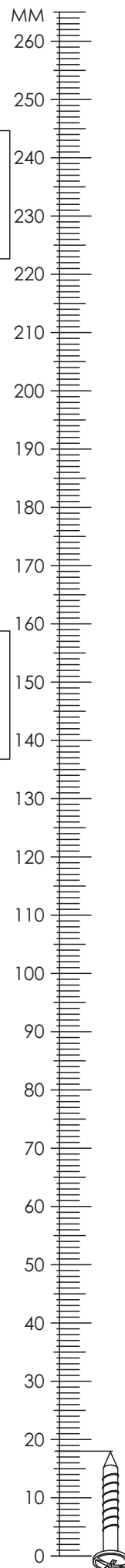
KAJA II

<p>A2 akc_0002</p>  <p>10 x 40 mm</p> <p>x38</p>	<p>M akc_0005</p>  <p>x1</p>	<p>N1 akc_0006</p>  <p>6 x 80 mm</p> <p>x18</p>
<p>N2 akc_0007</p>  <p>6 x 100 mm</p> <p>x12</p>	<p>S1 akc_0008</p>  <p>10 x 16 mm</p> <p>x30</p>	

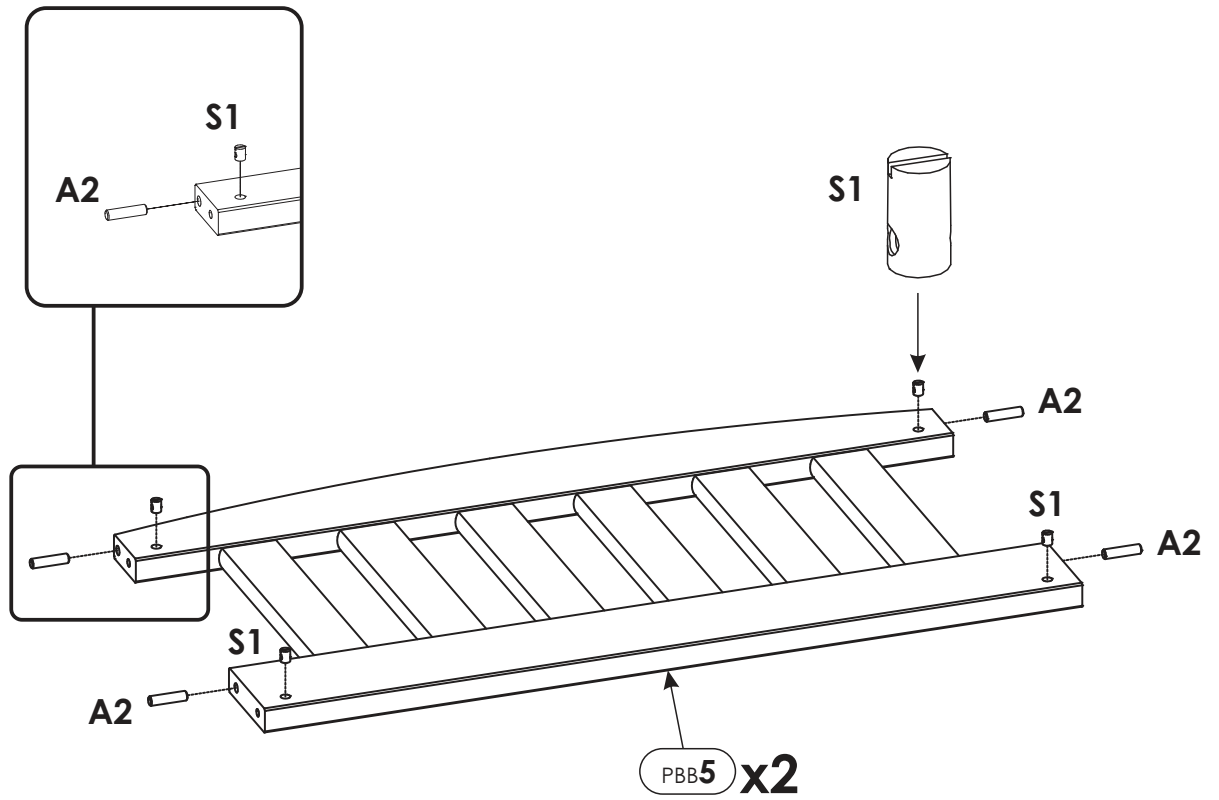
----- **OPTION** -----

<p>W1 akc_0009</p>  <p>3,5 x 40 mm</p> <p>38 < x < 62</p>

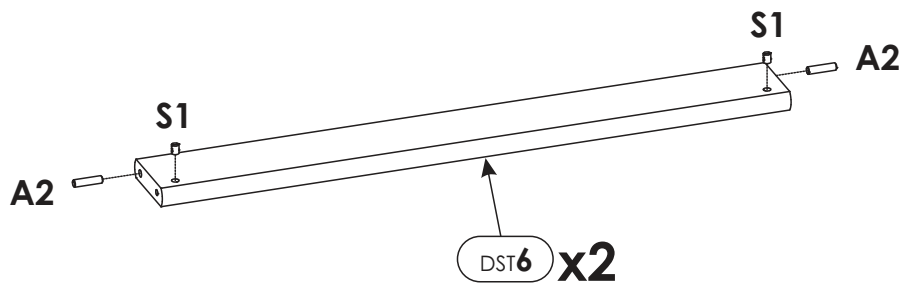
<p>W3 akc_0011</p>  <p>4 x 50 mm</p> <p>30 < x < 36</p>



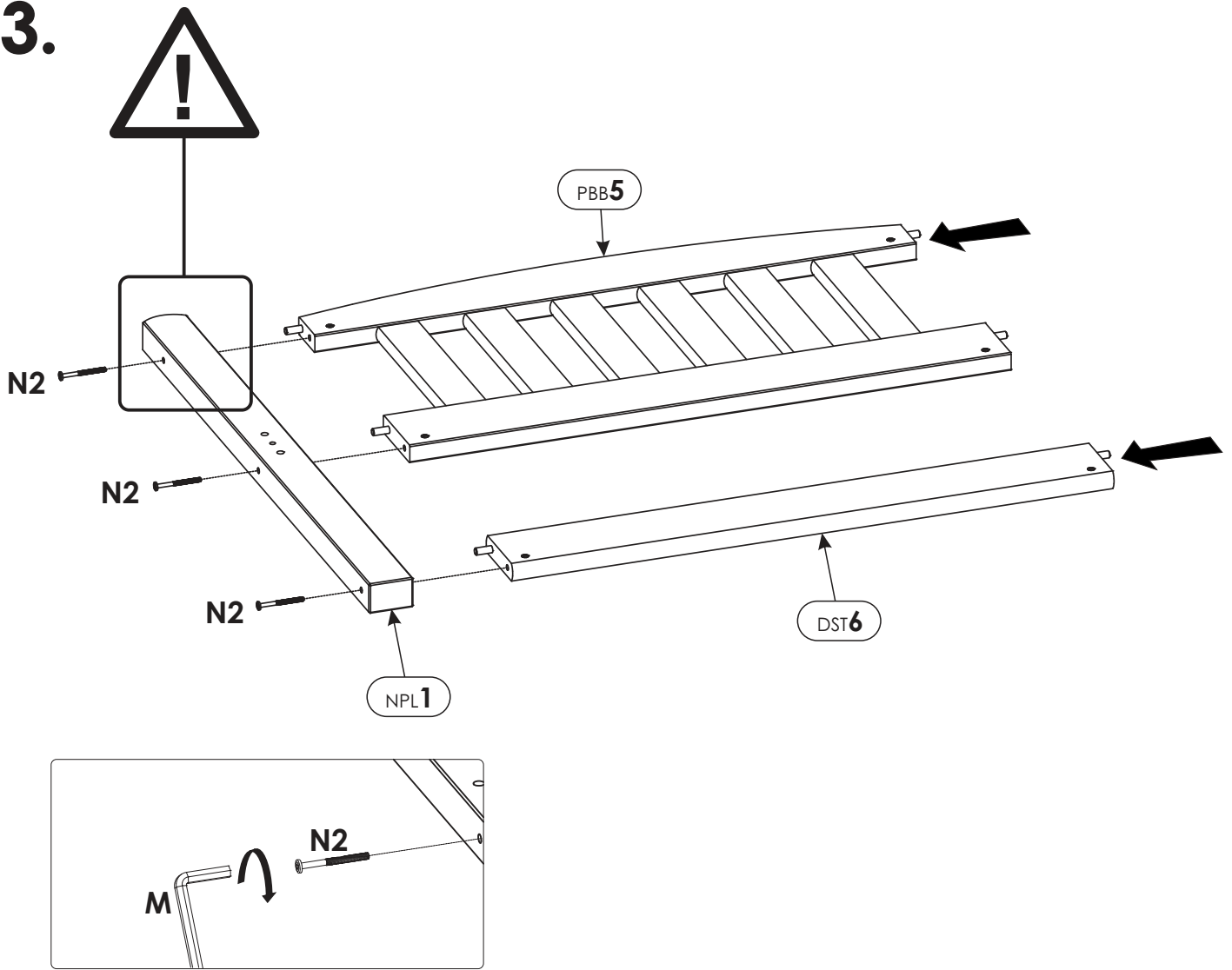
1.



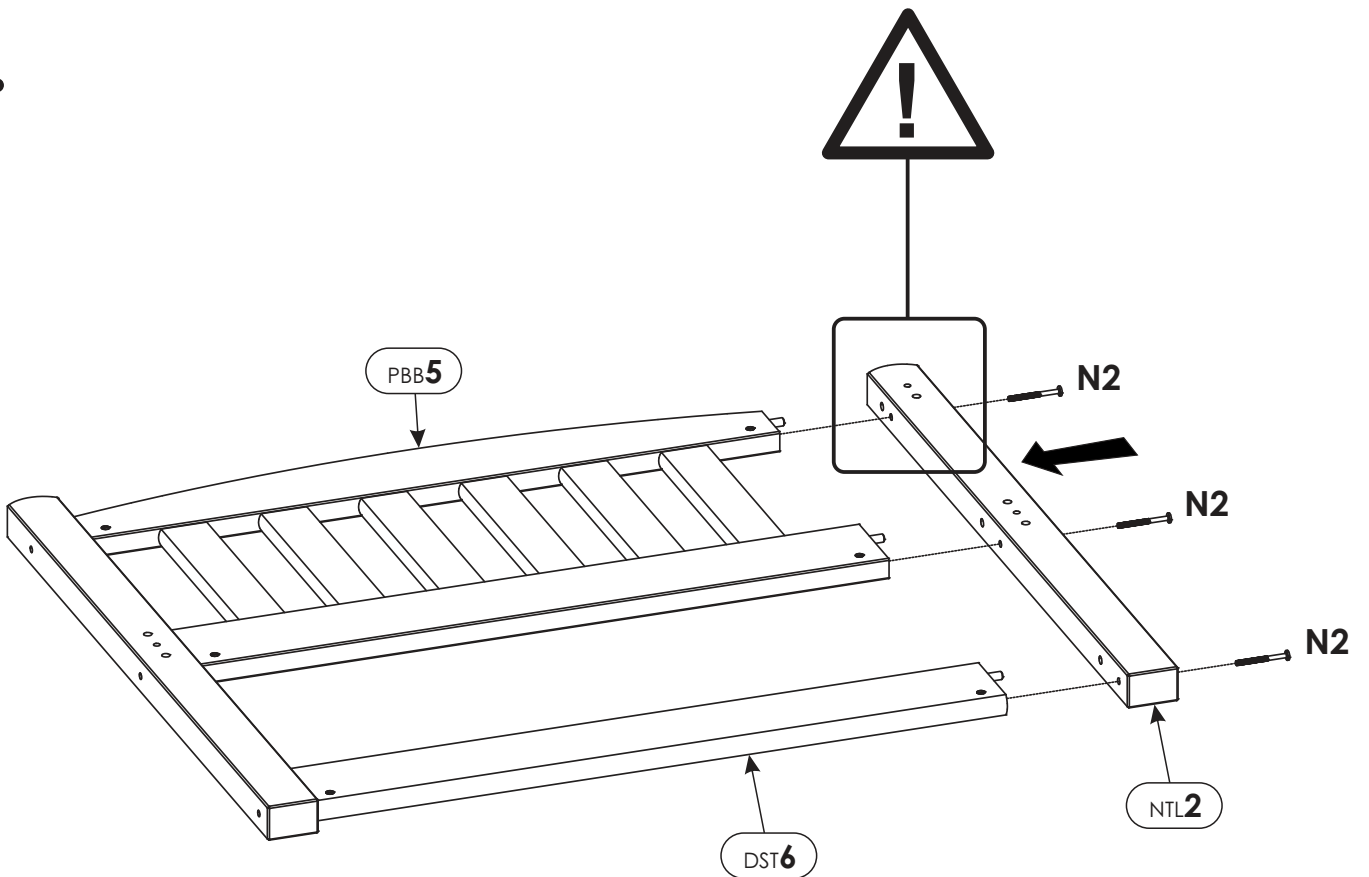
2.



3.

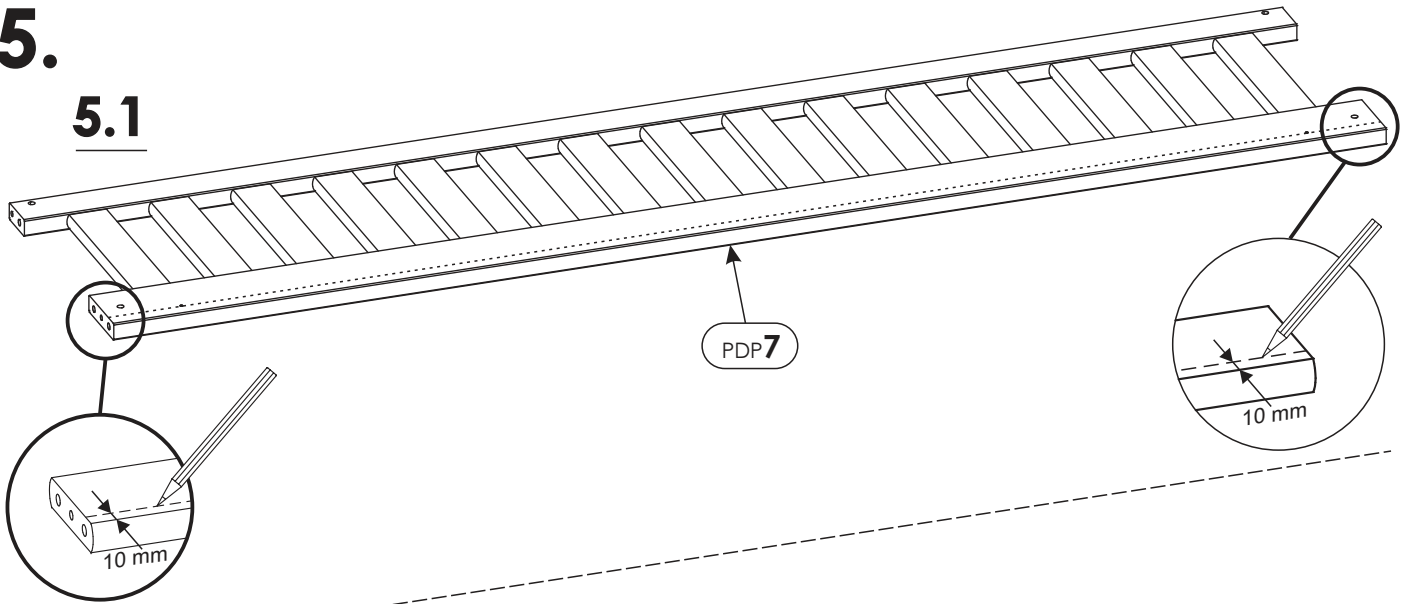


4.

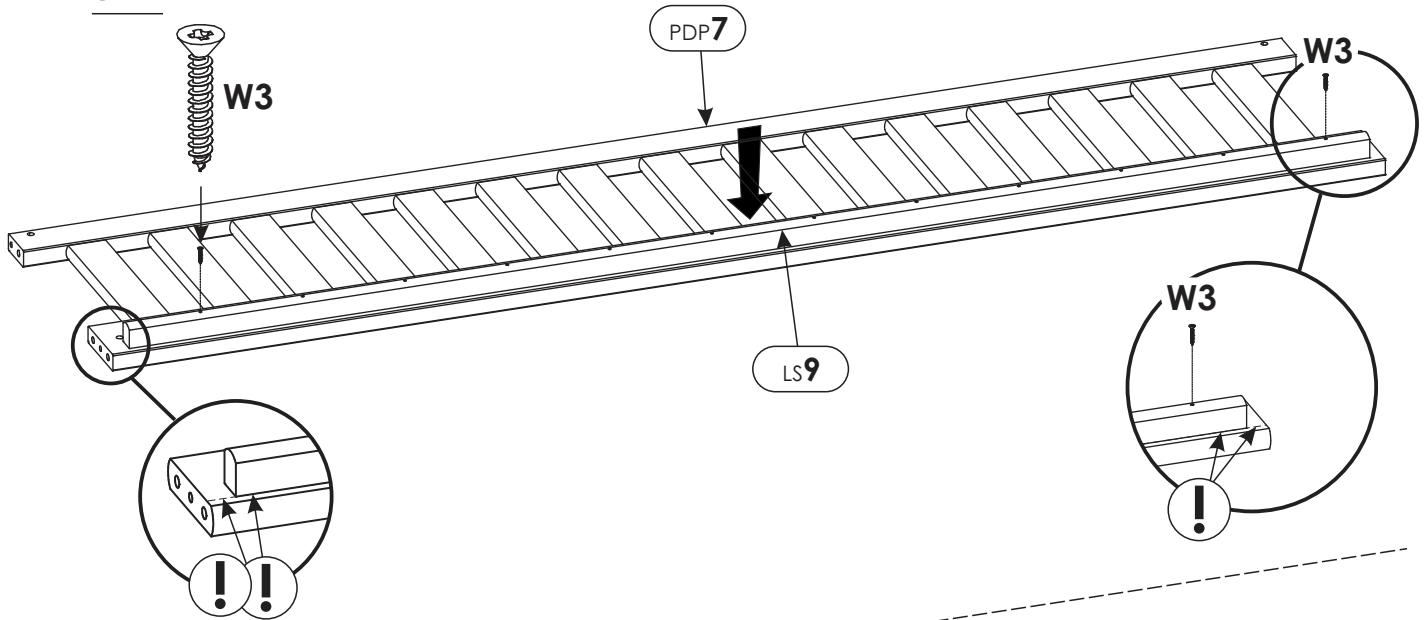


5.

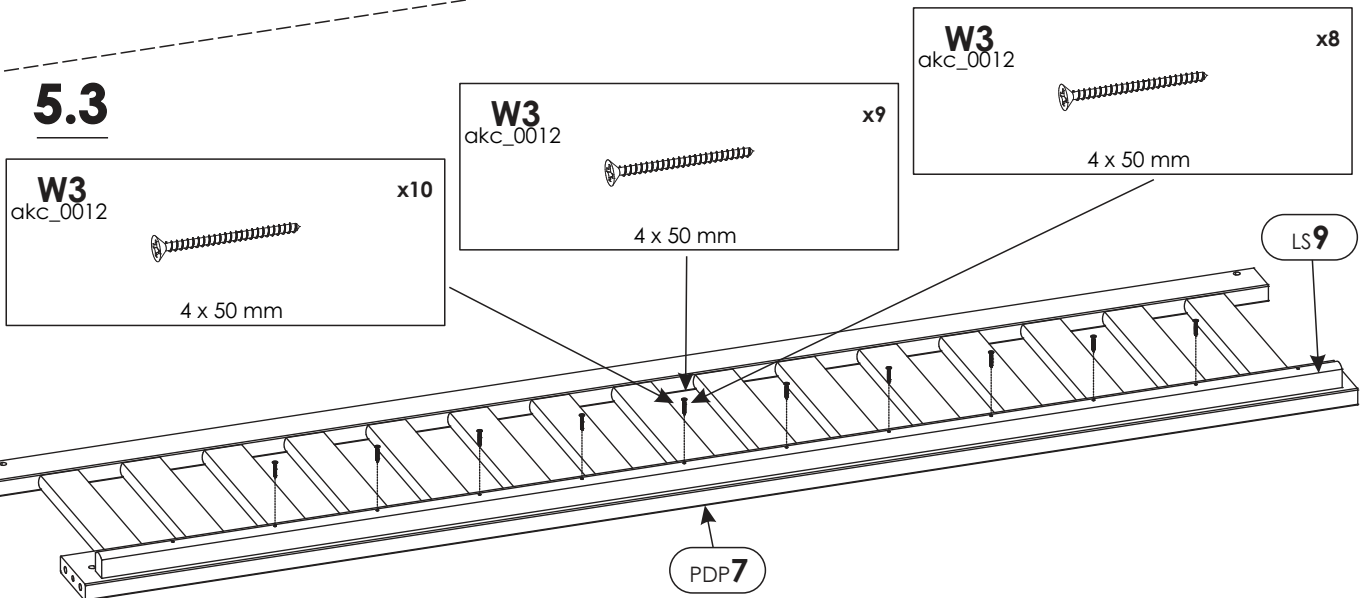
5.1



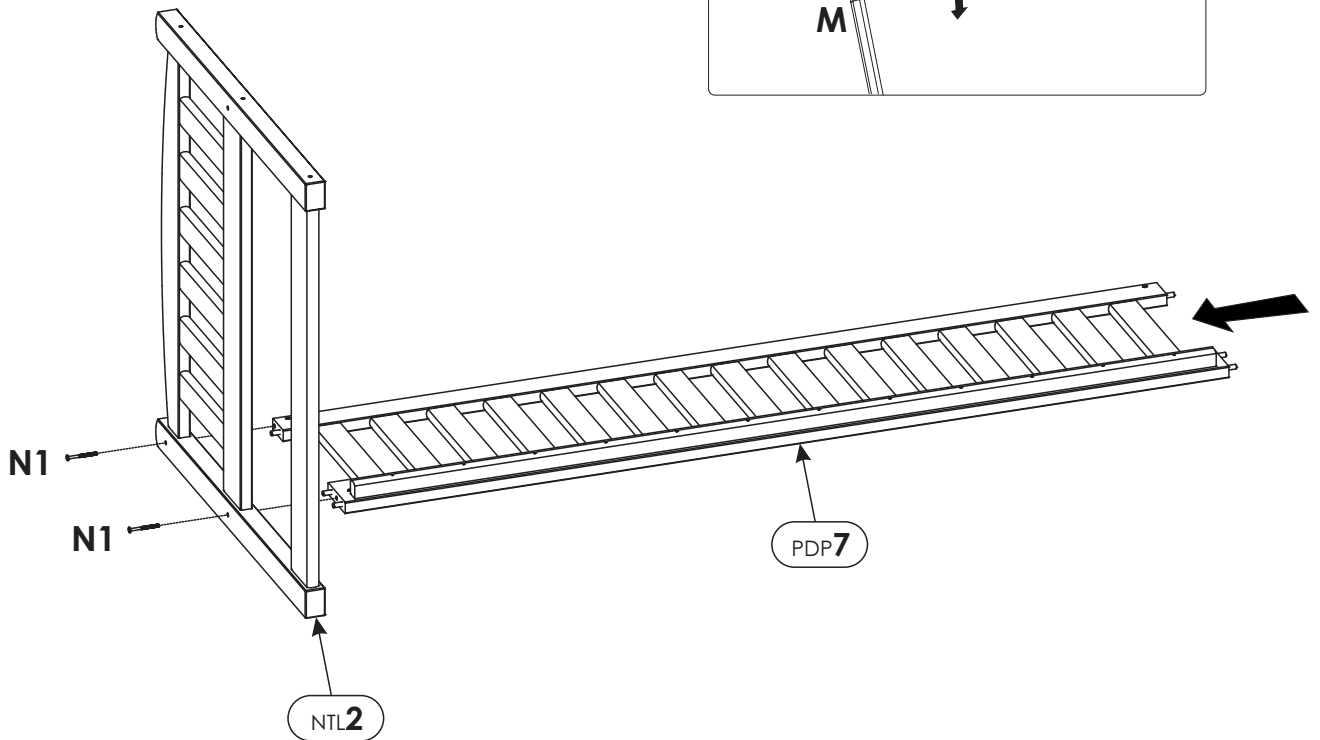
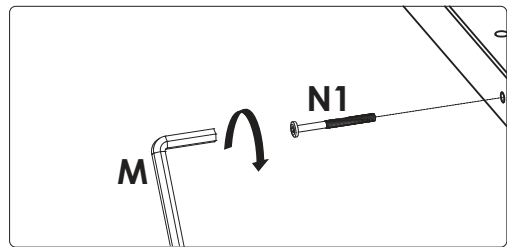
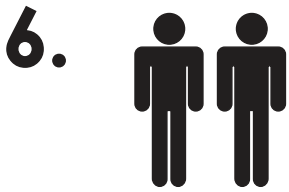
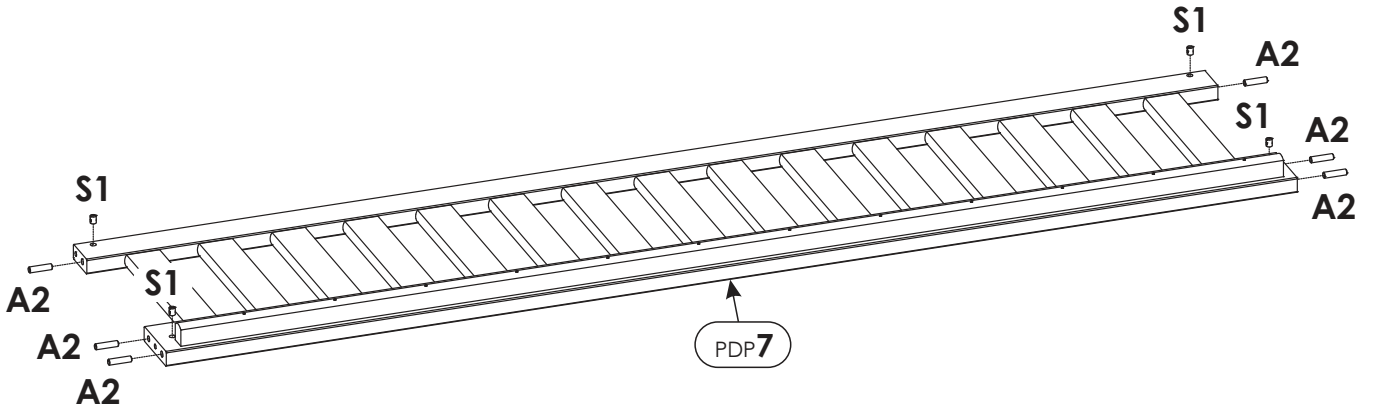
5.2



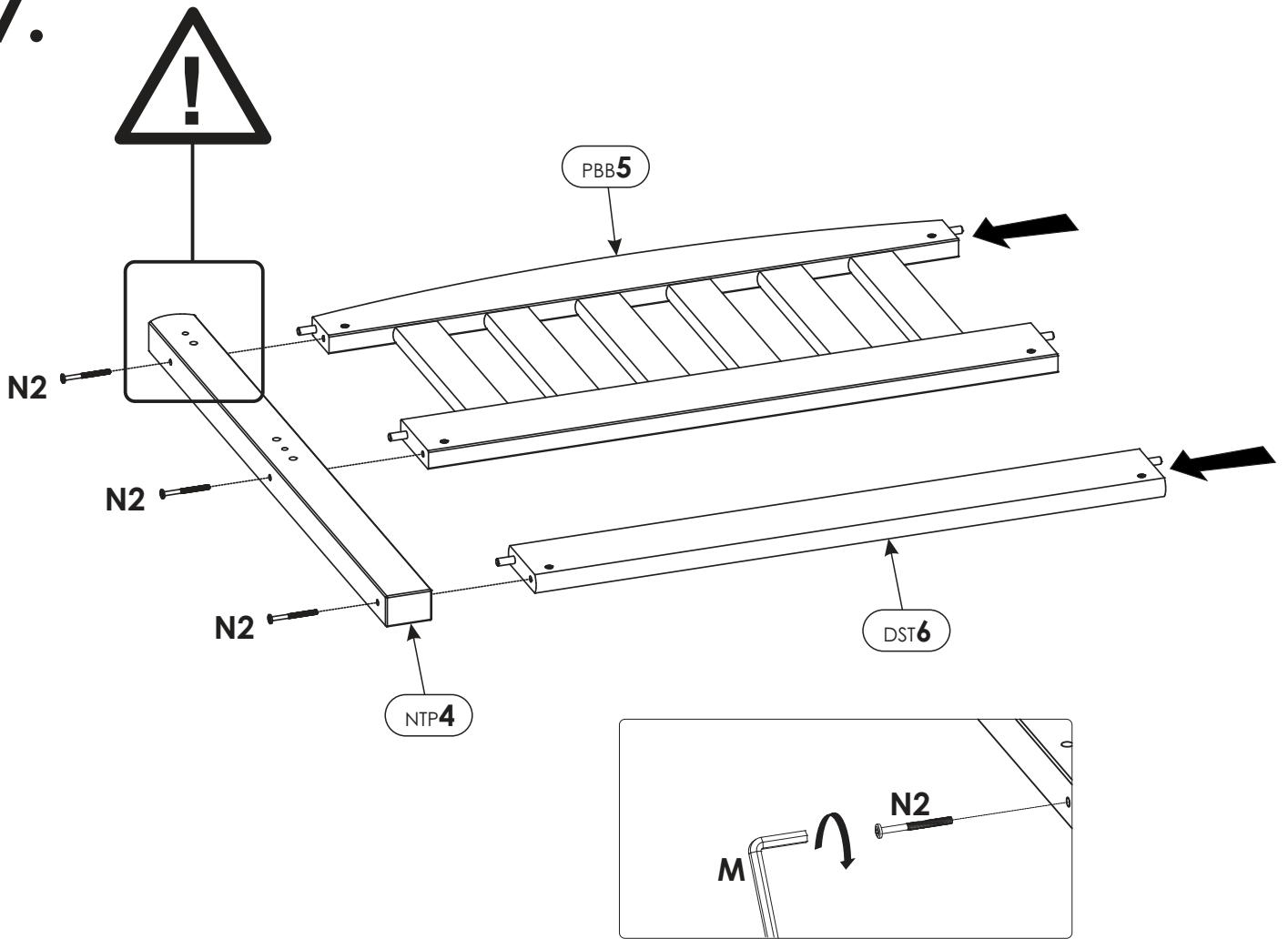
5.3



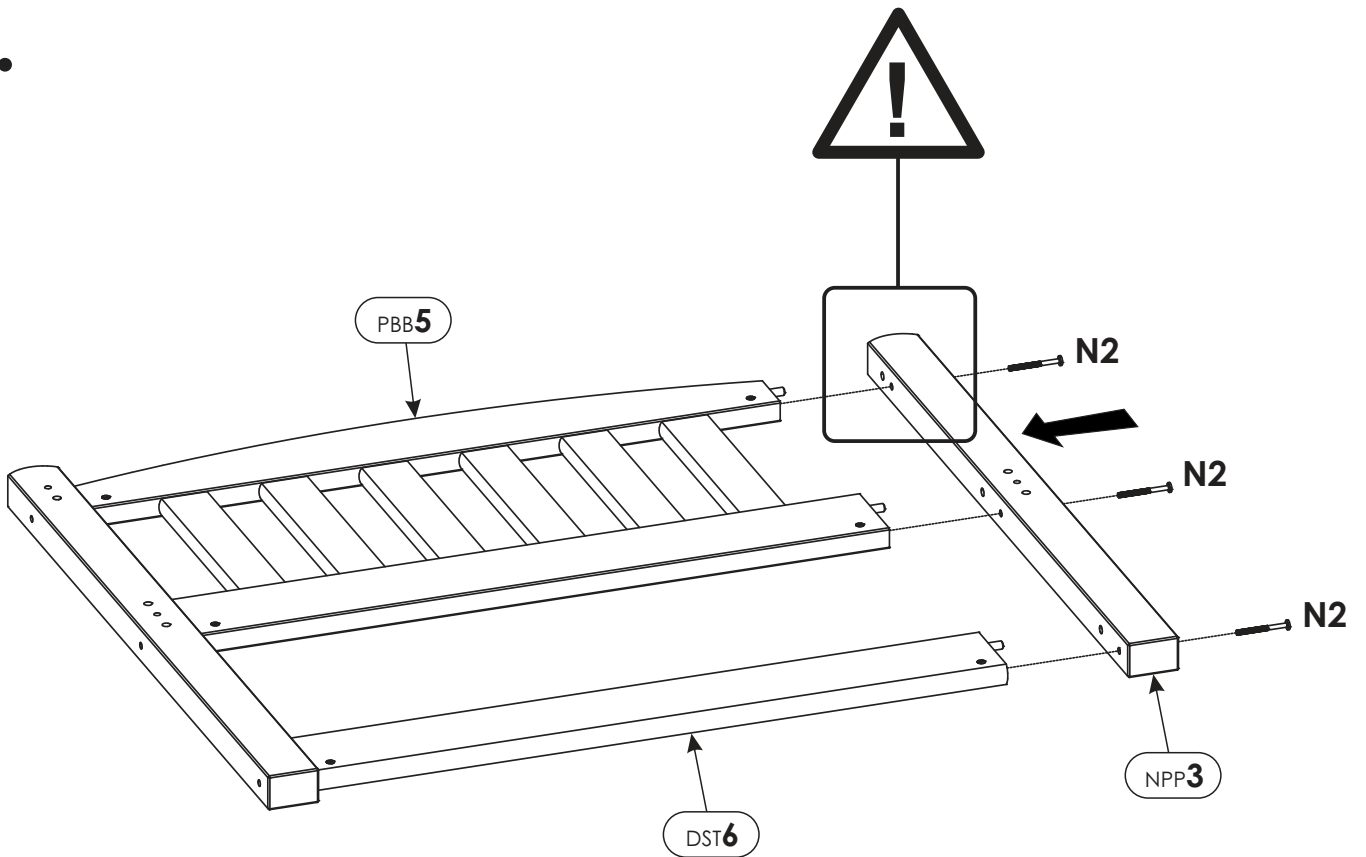
5.4



7.

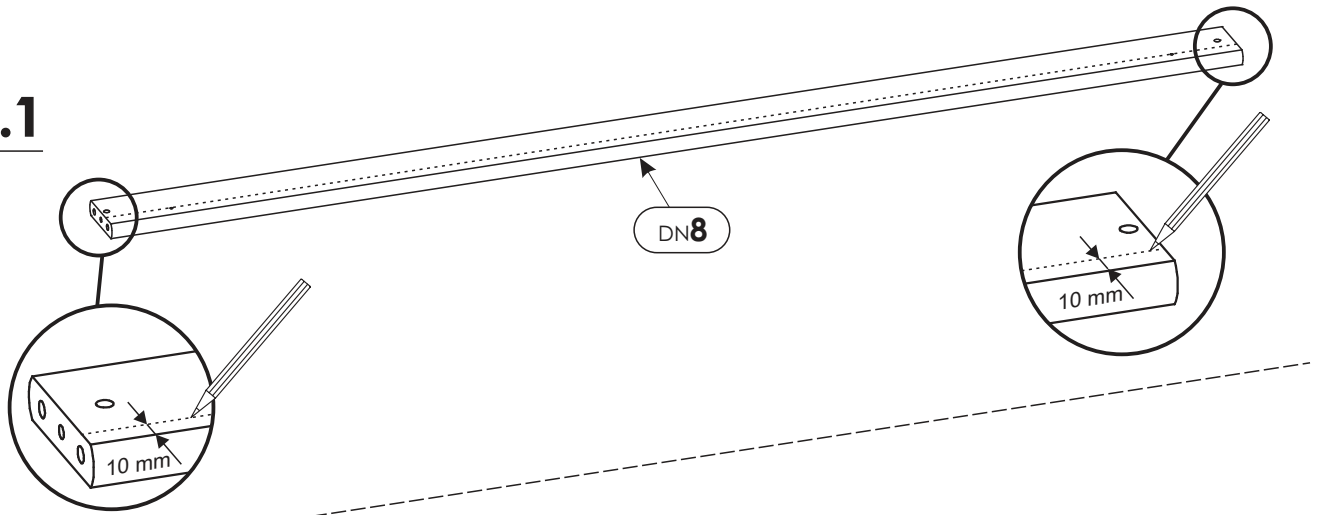


8.

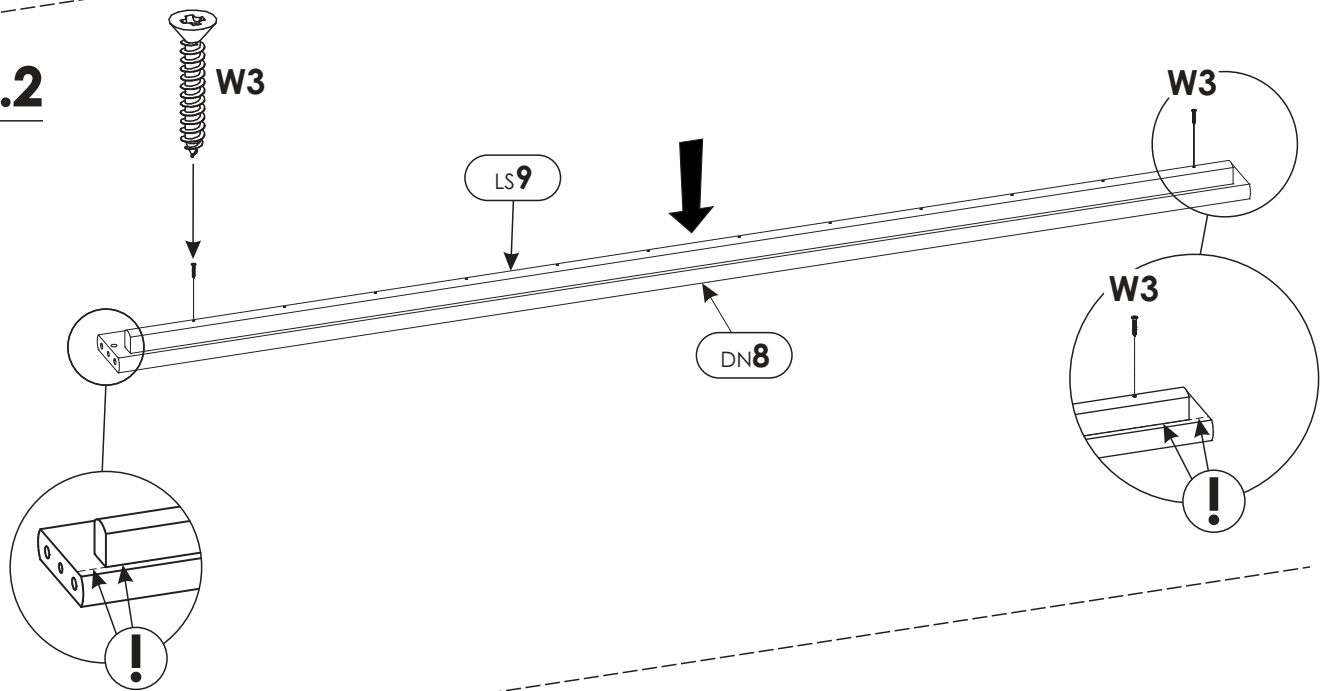


9.

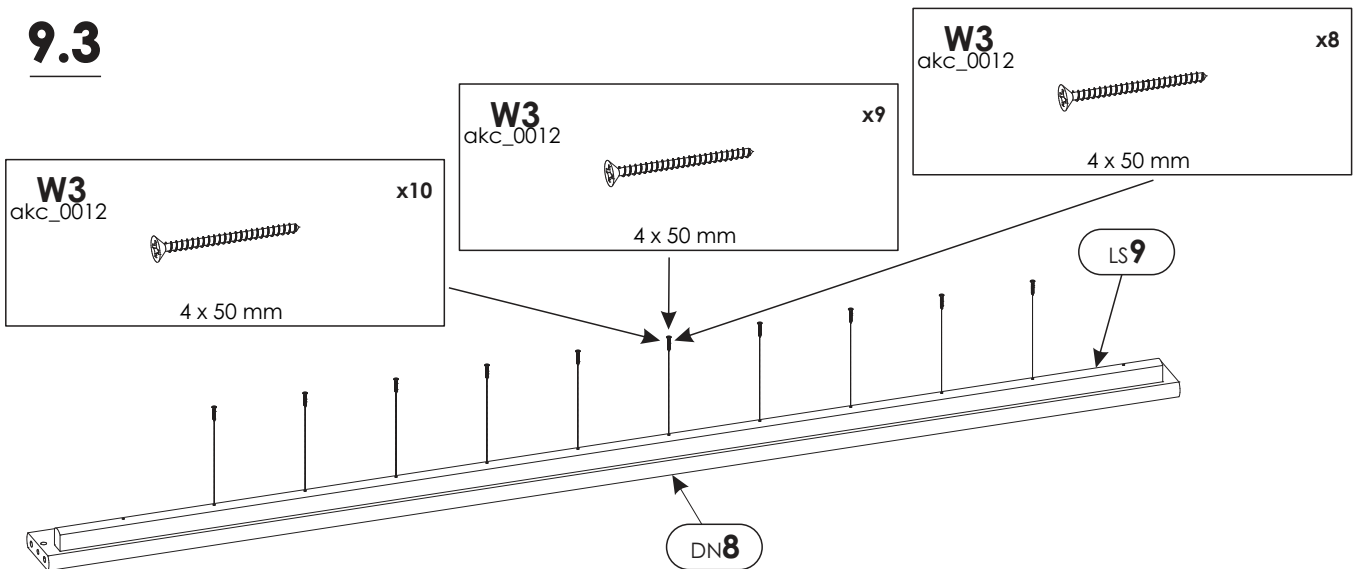
9.1



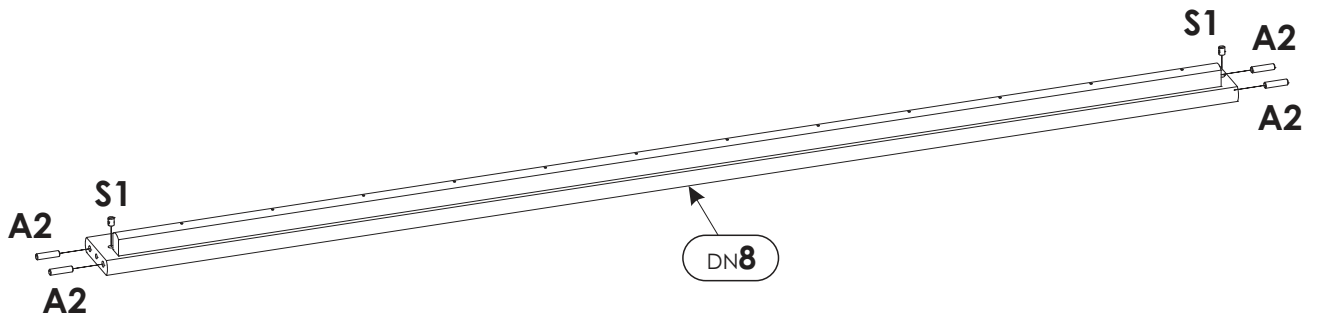
9.2



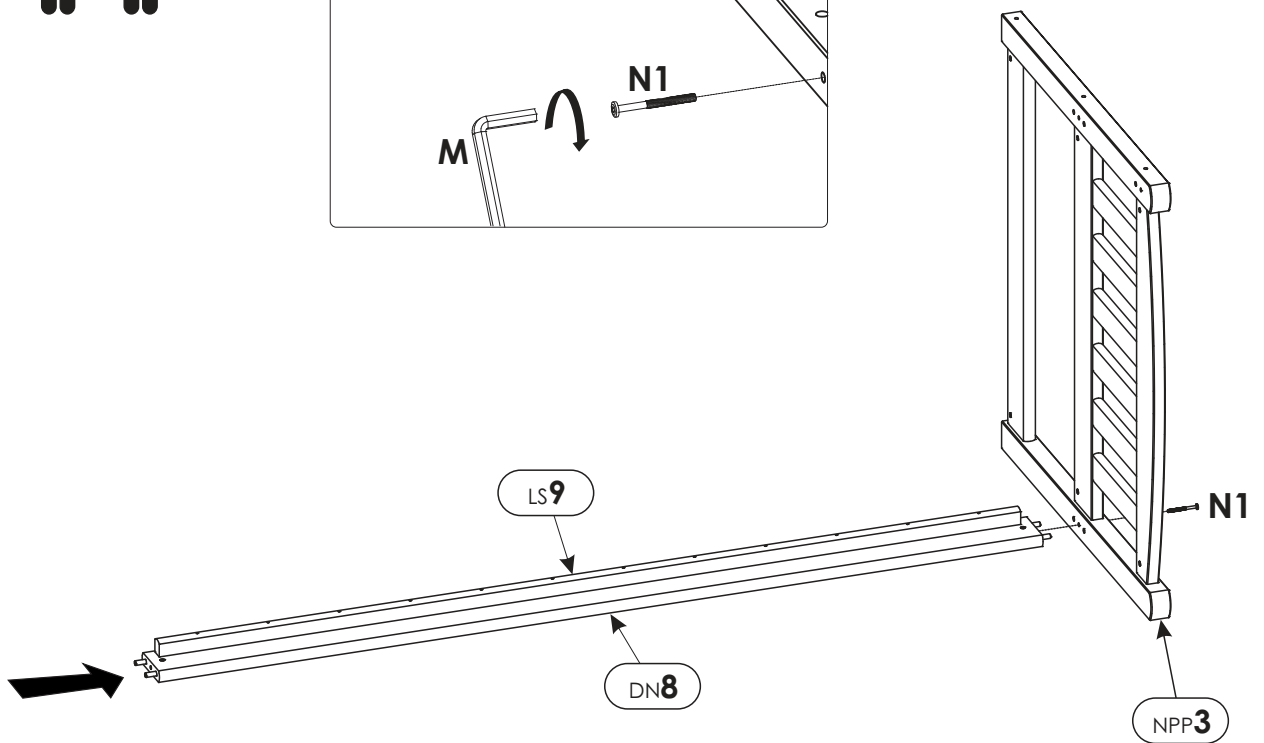
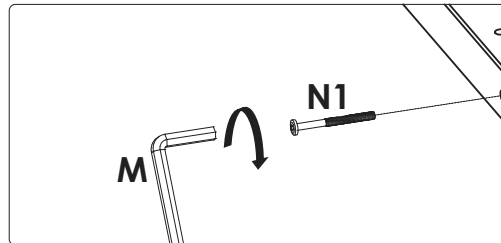
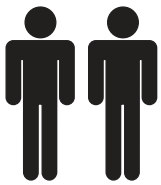
9.3



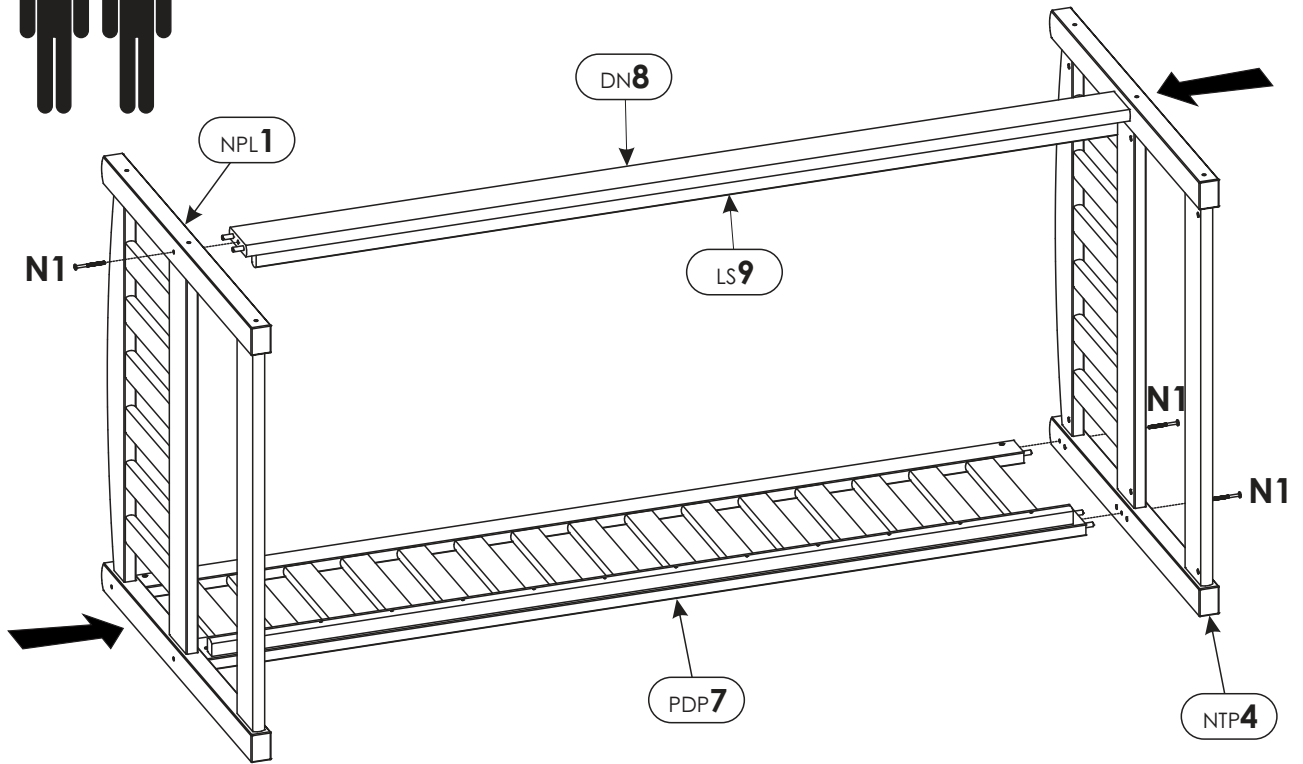
9.4



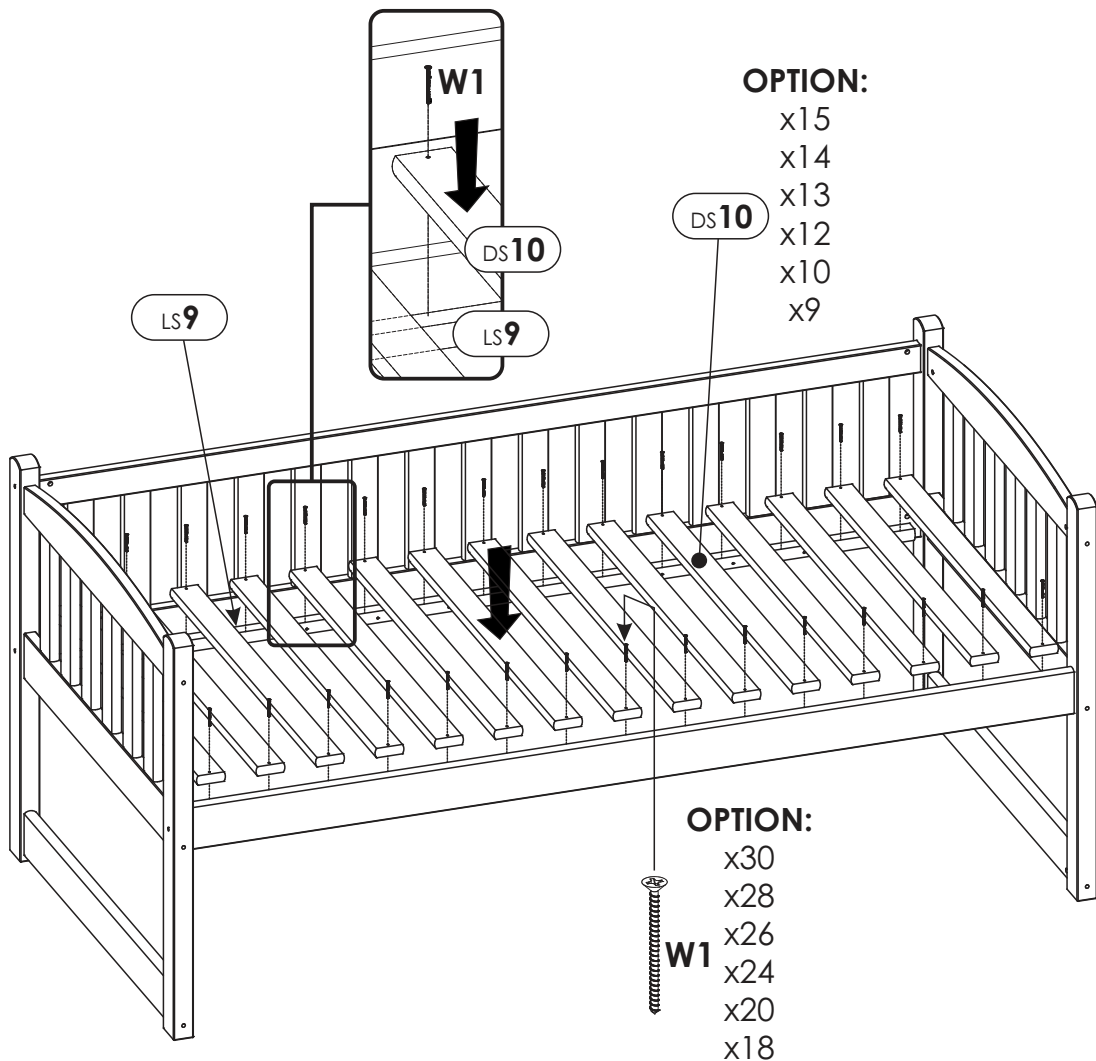
10.



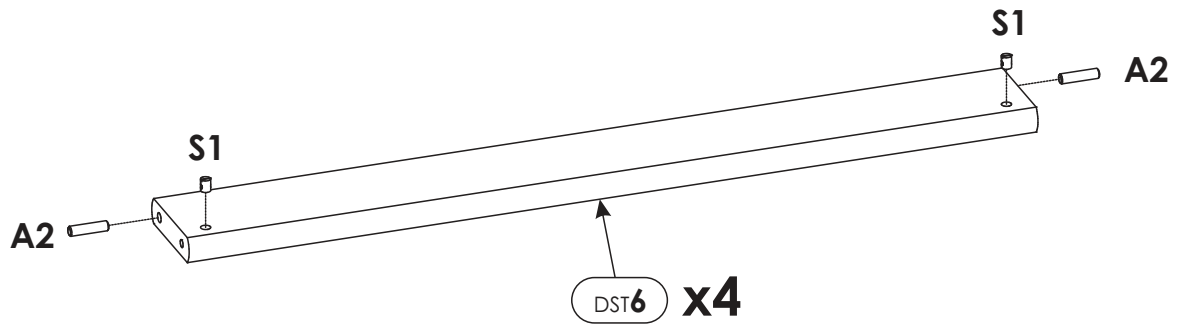
11. 



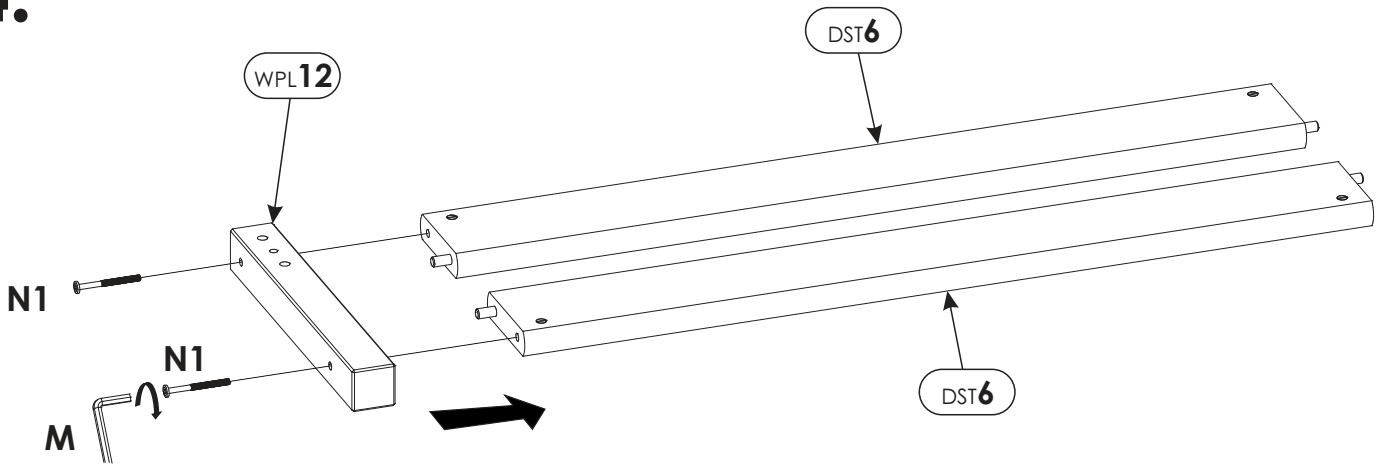
12.



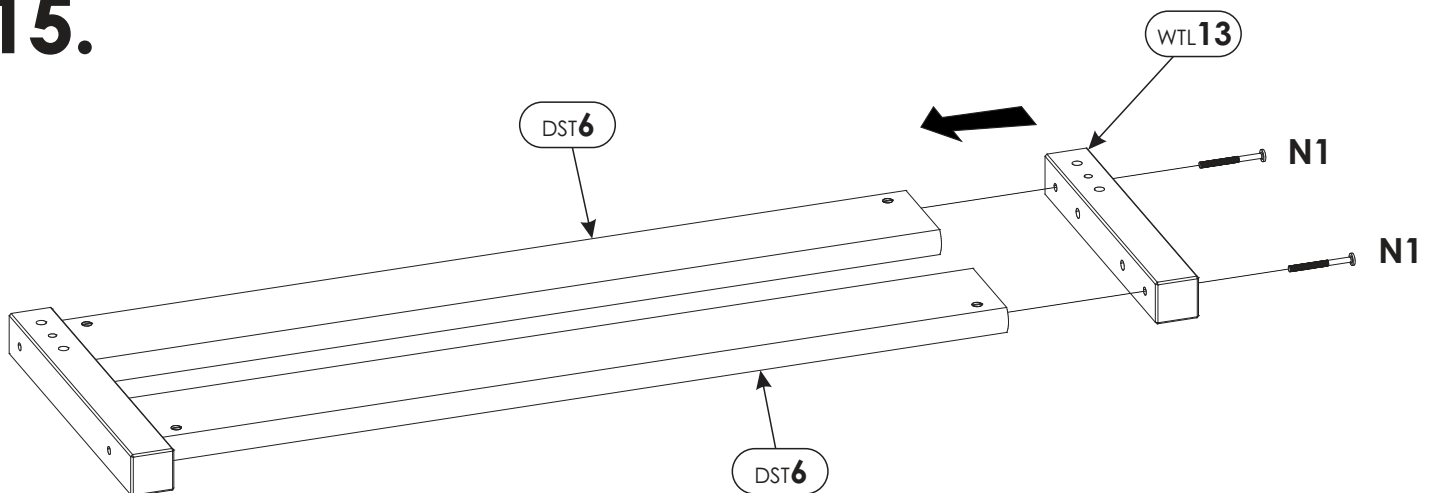
13.



14.

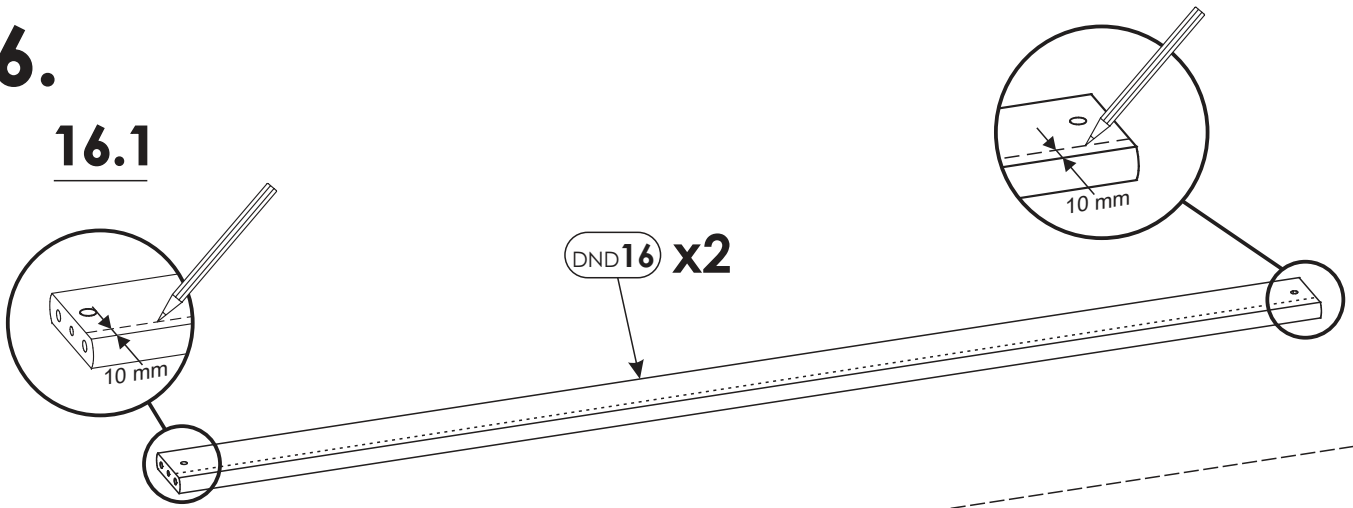


15.

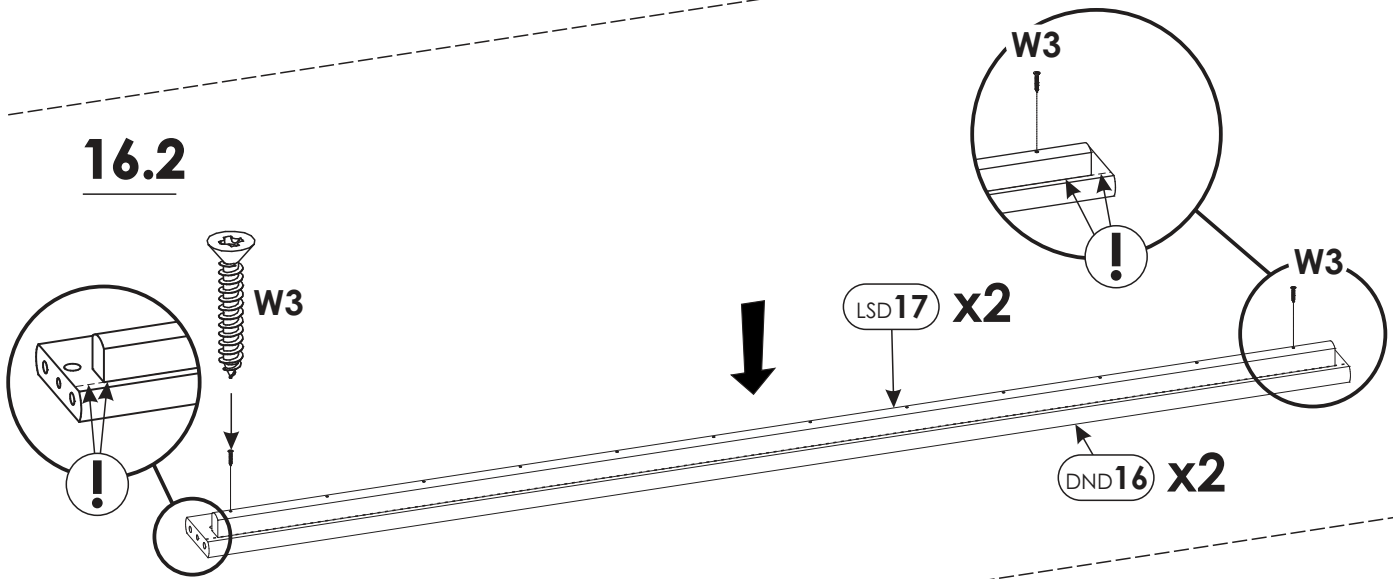


16.

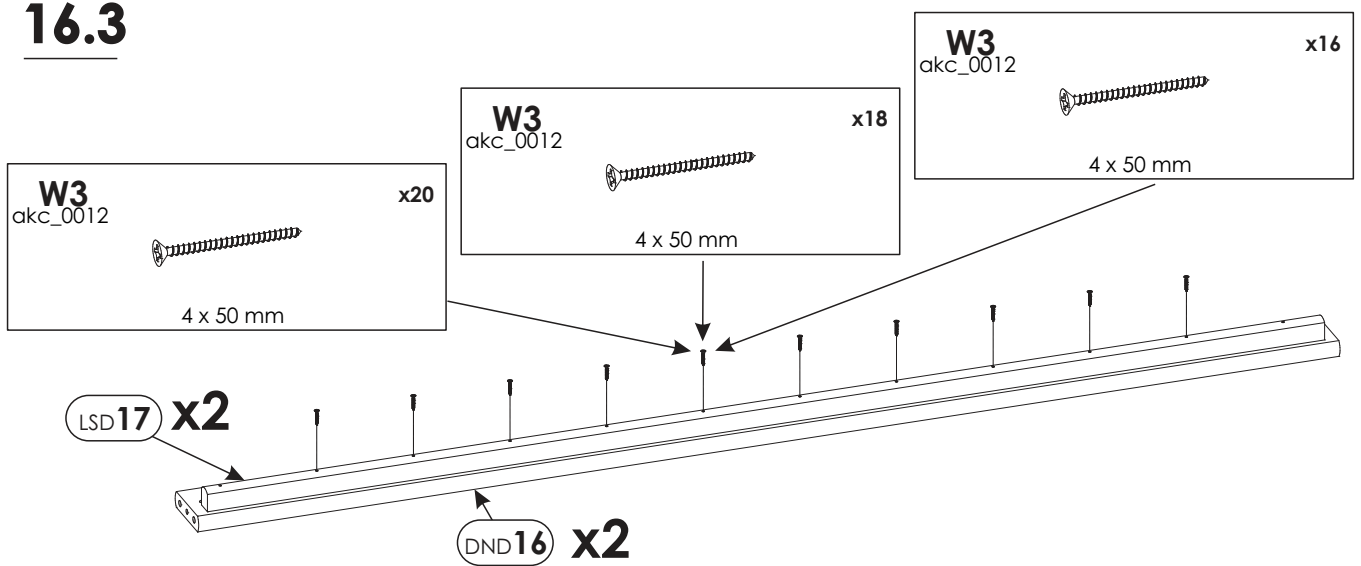
16.1



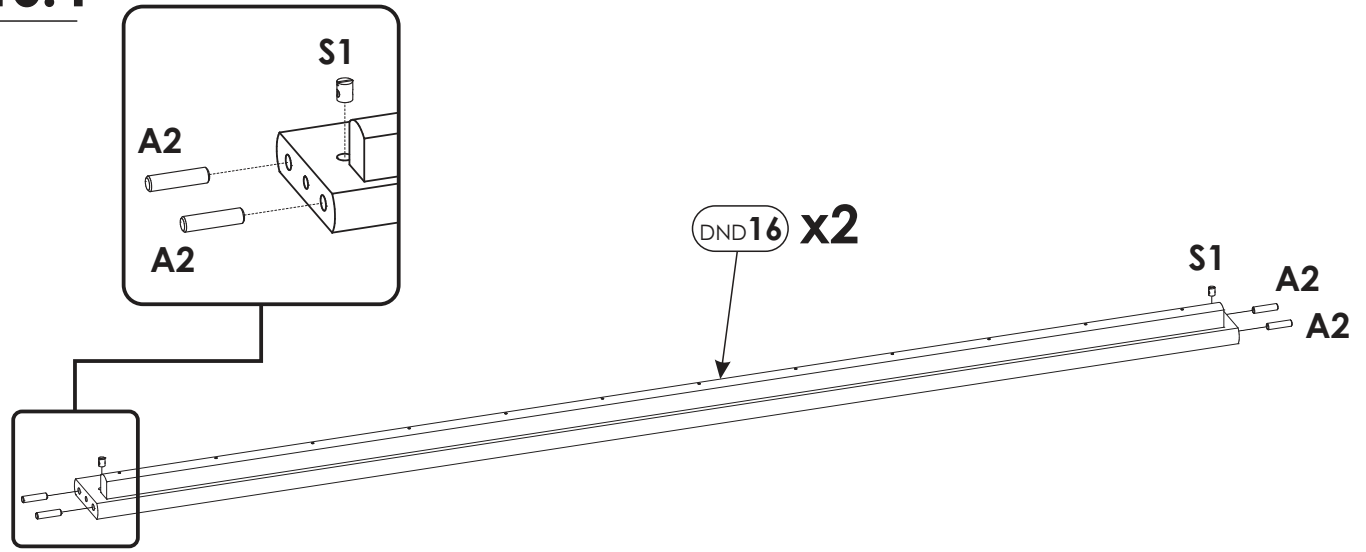
16.2



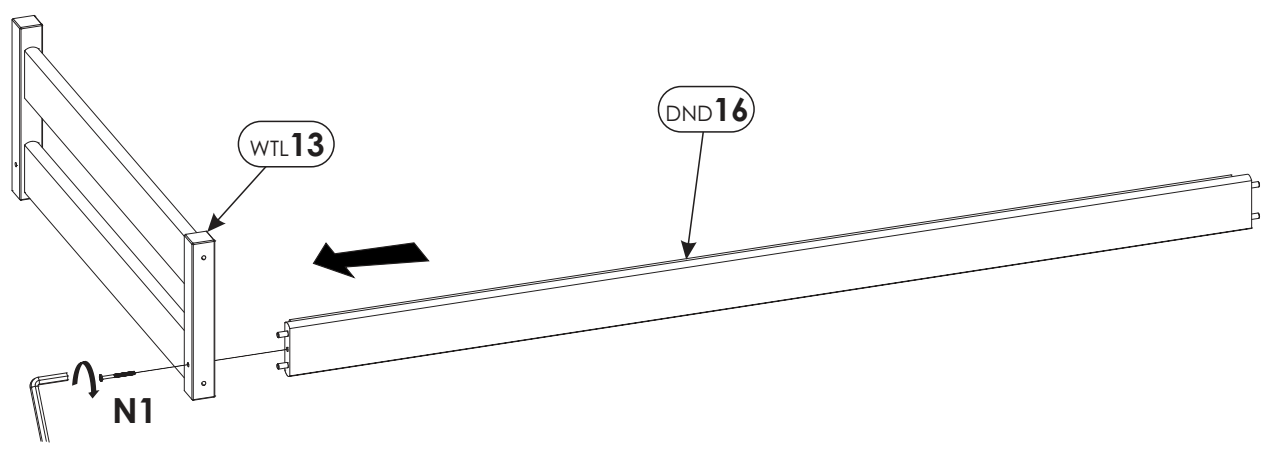
16.3



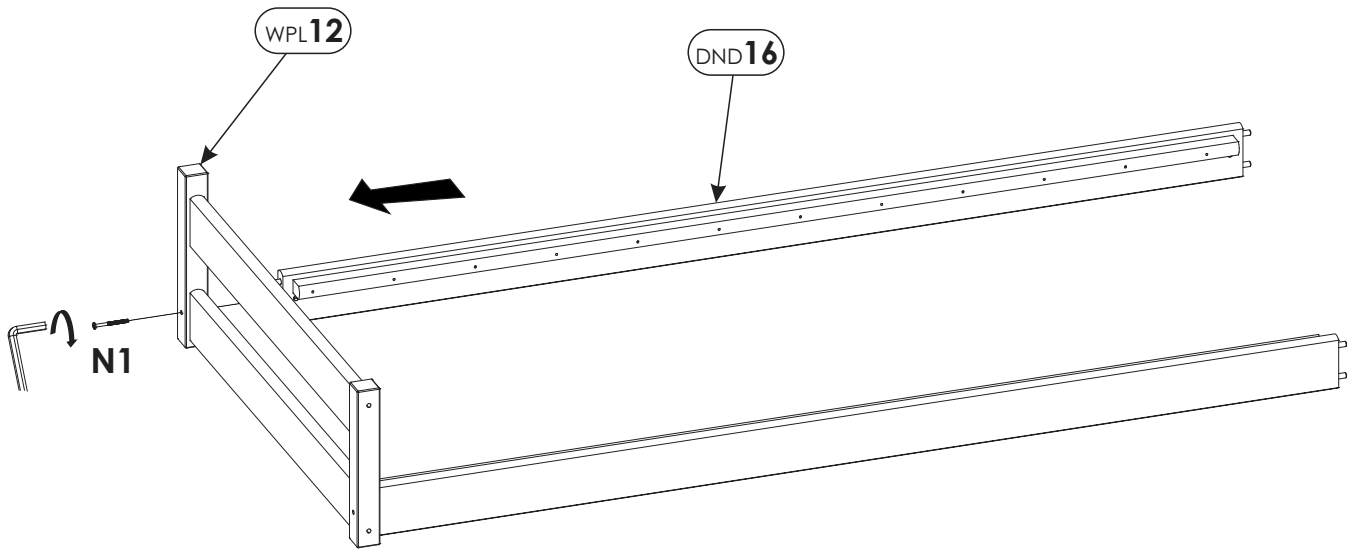
16.4



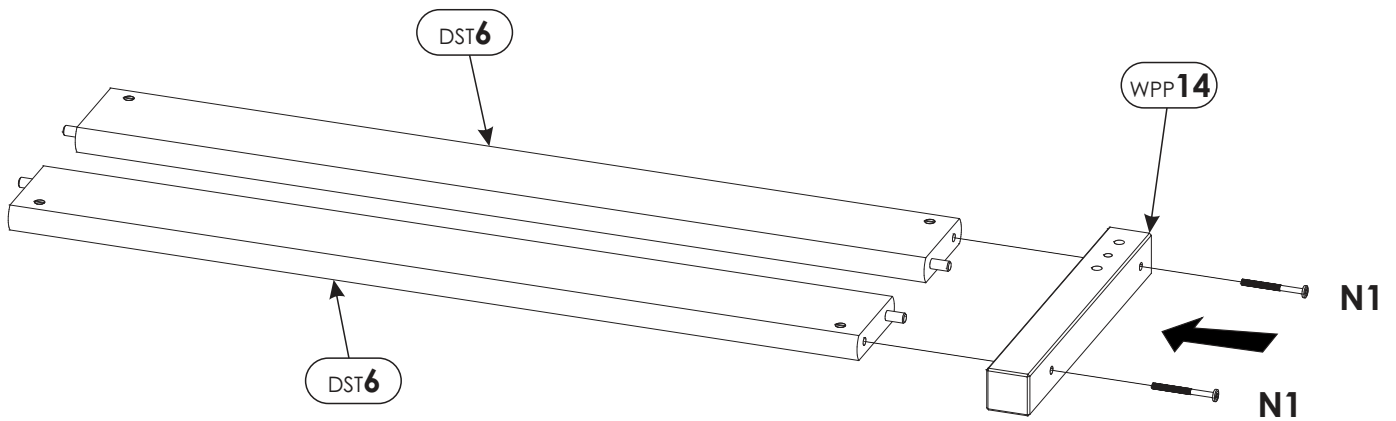
17.



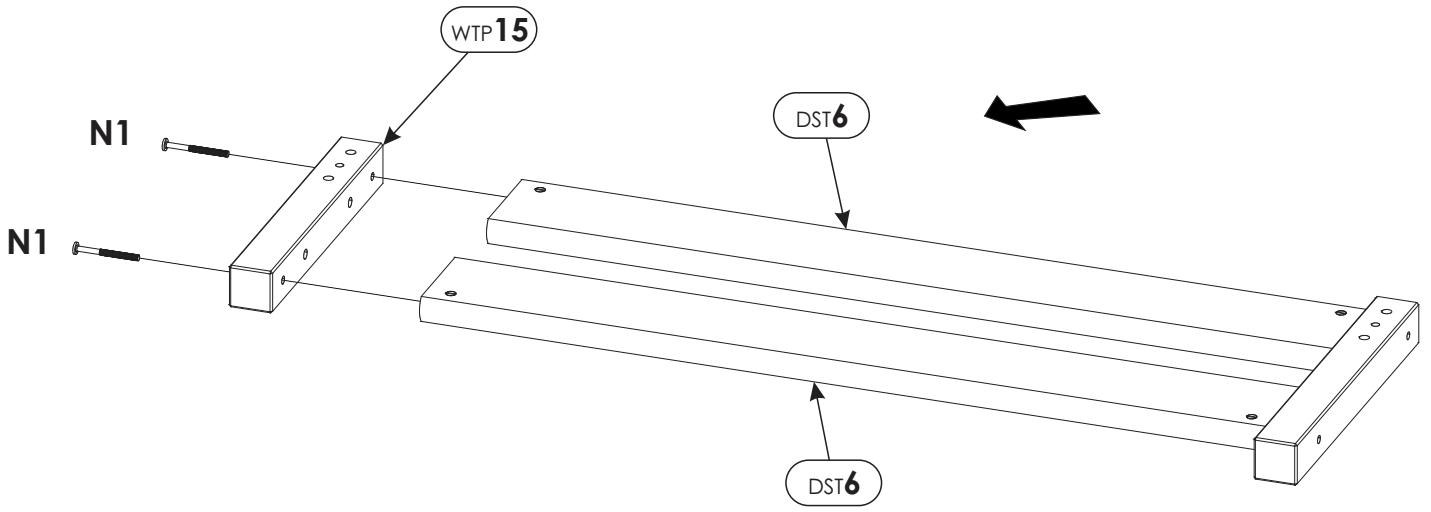
18.



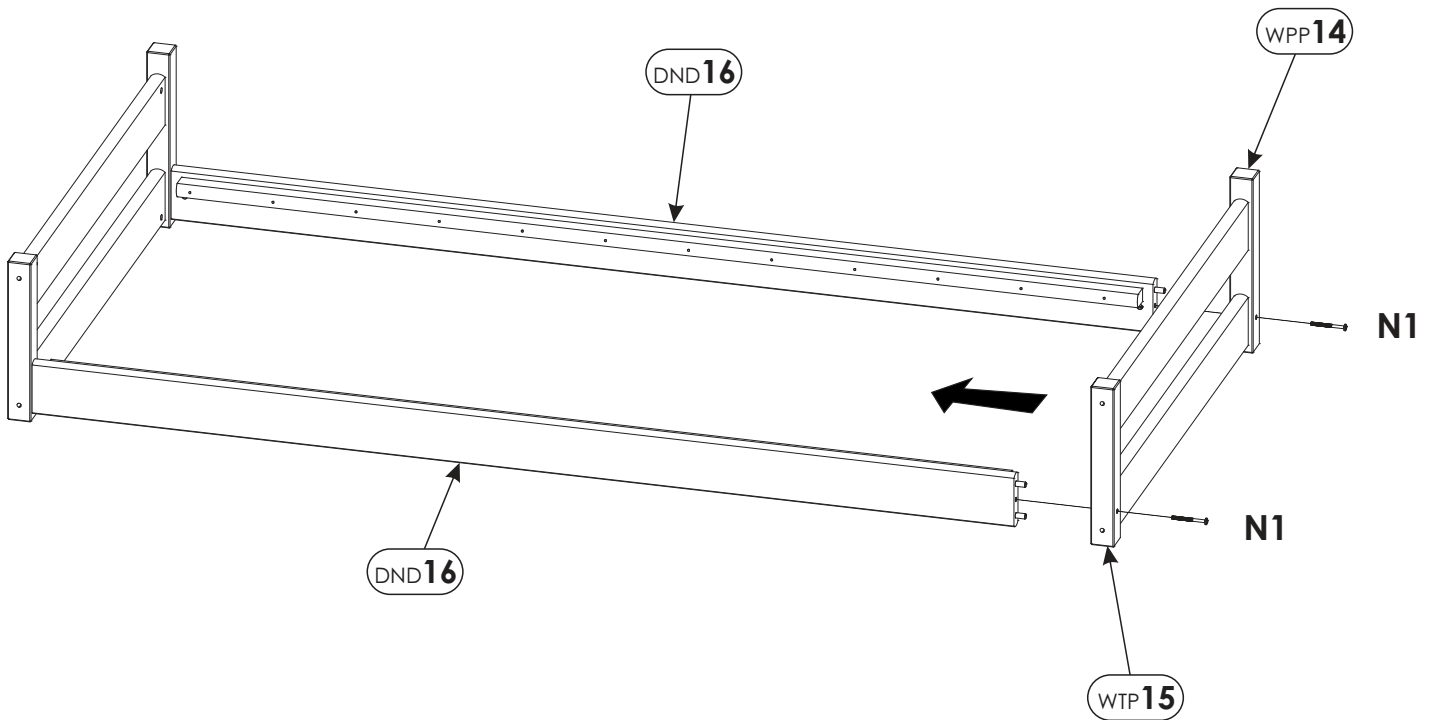
19.



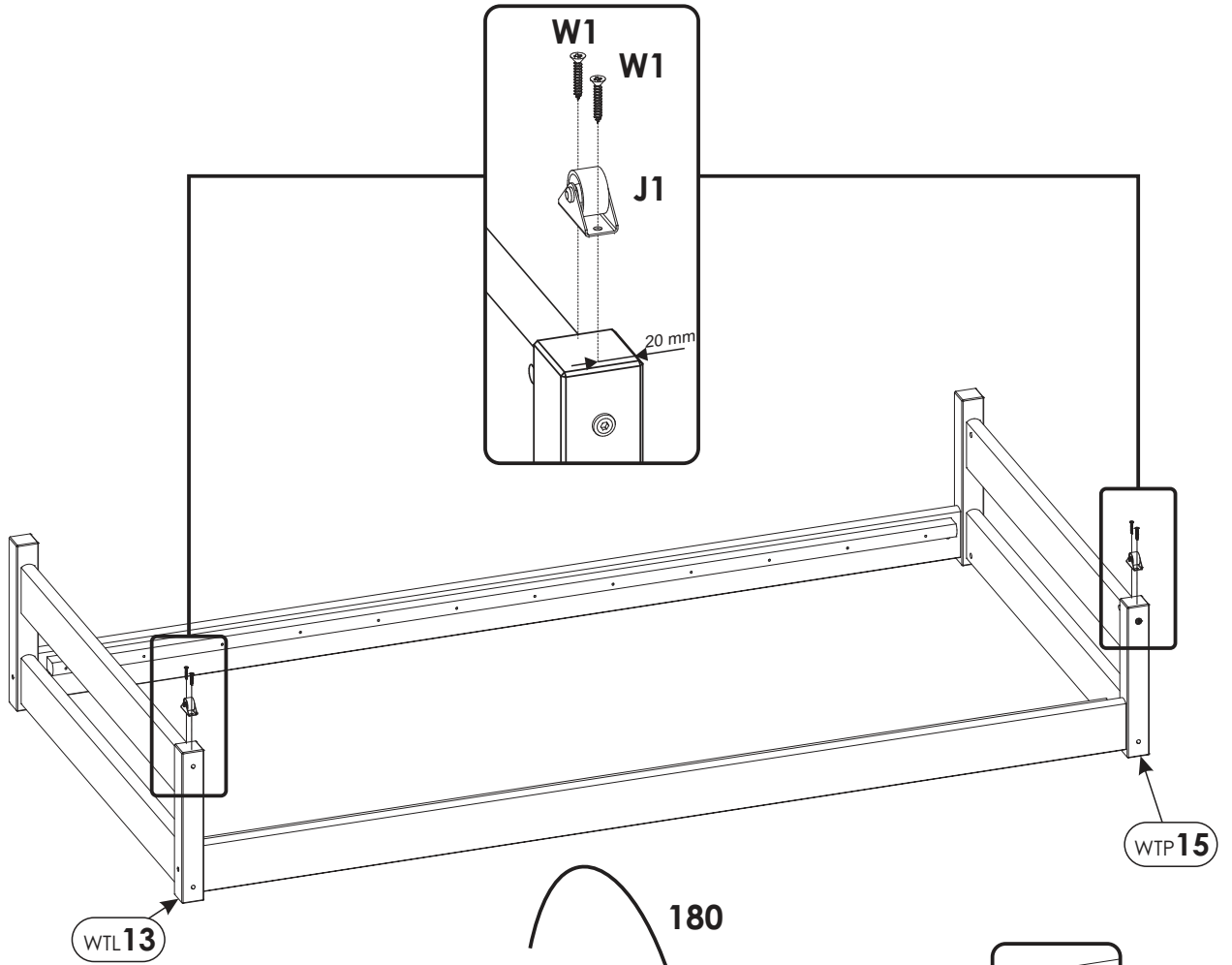
20.



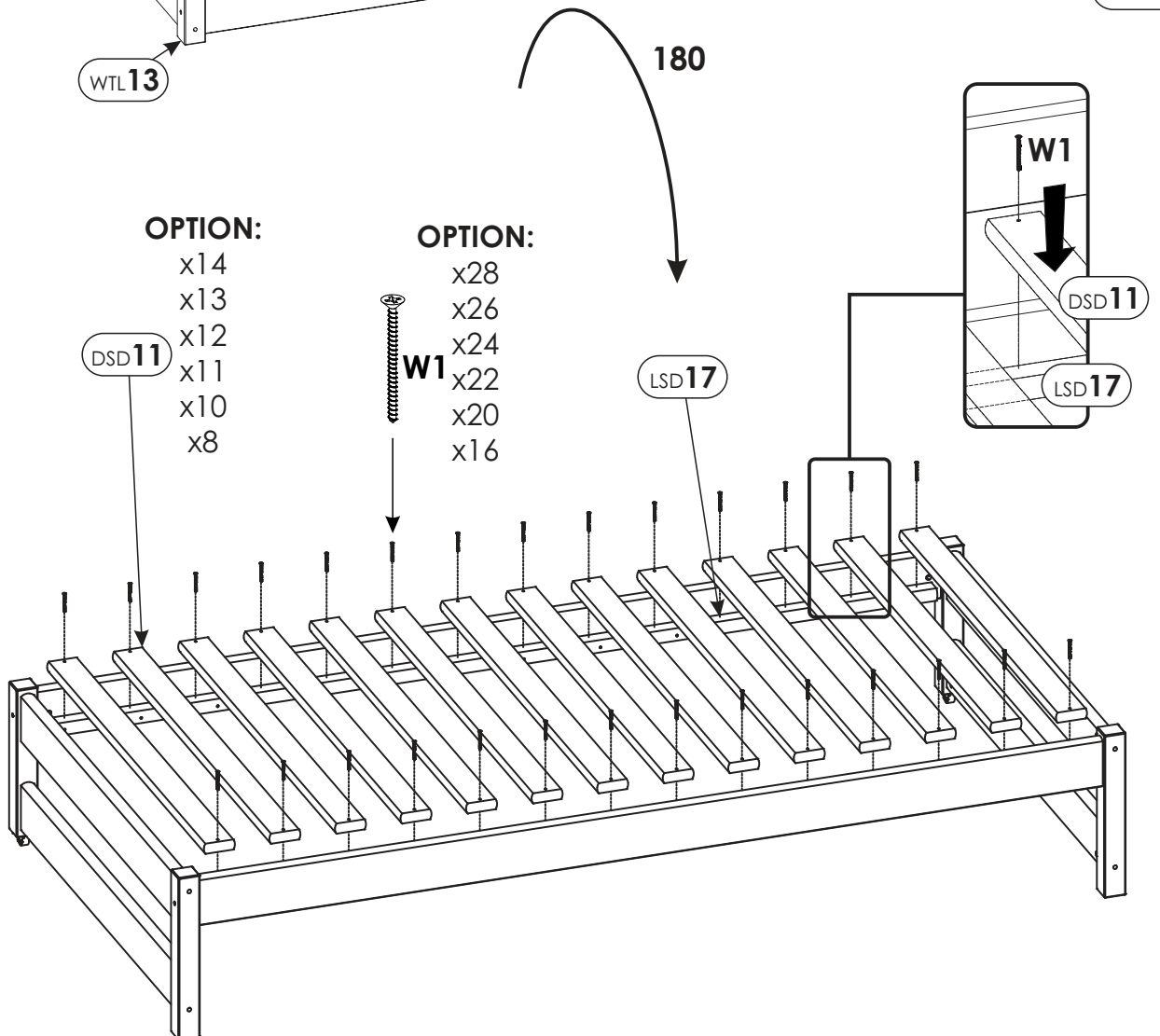
21.



22.



23.



24.

