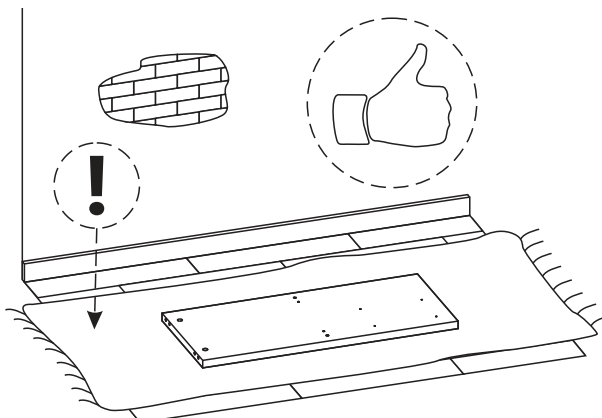
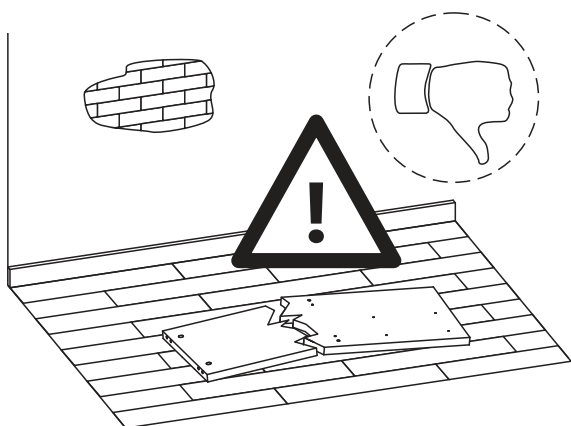
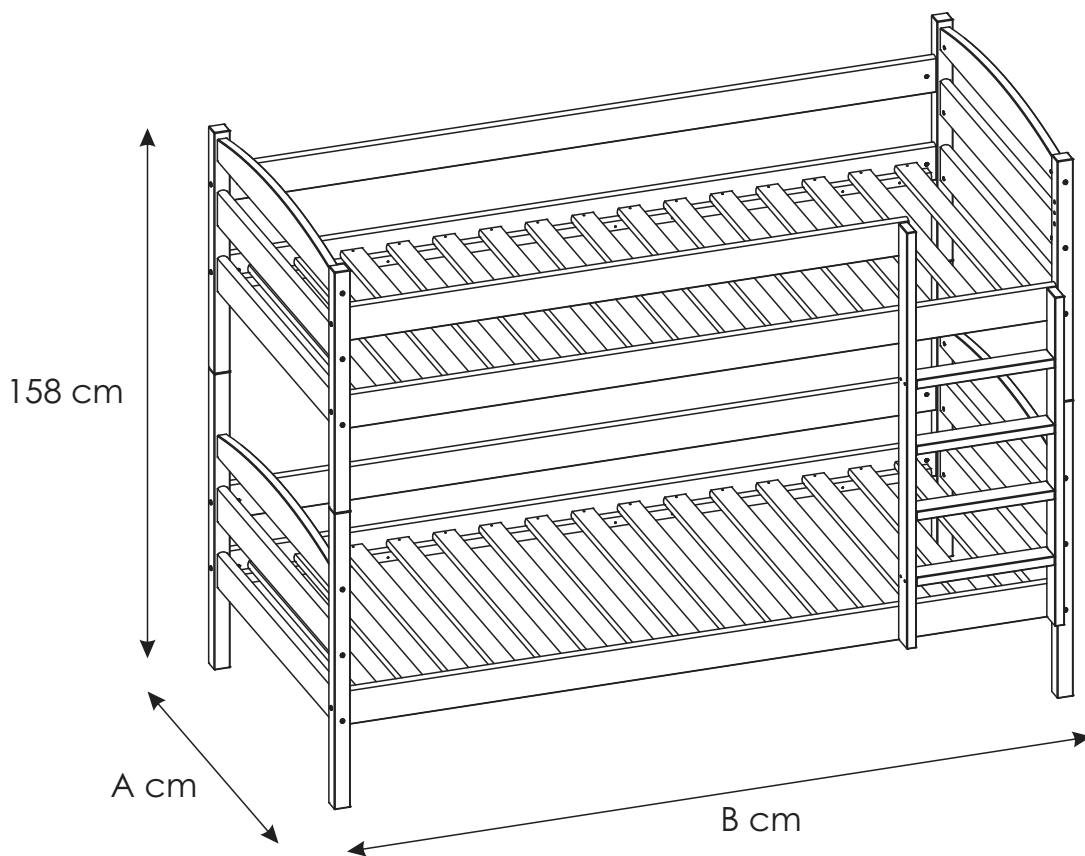
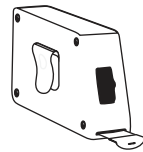
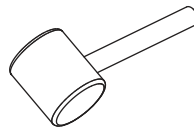
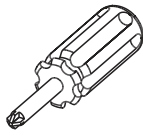
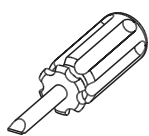
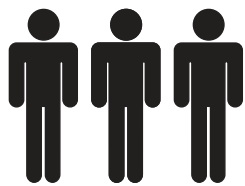
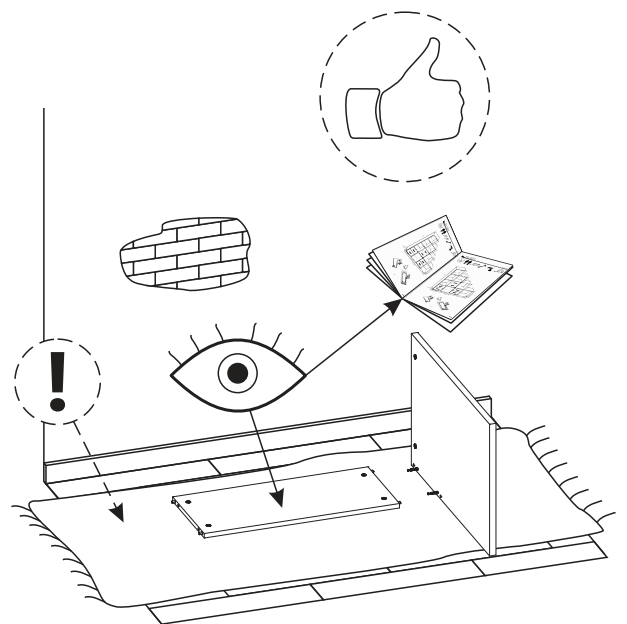
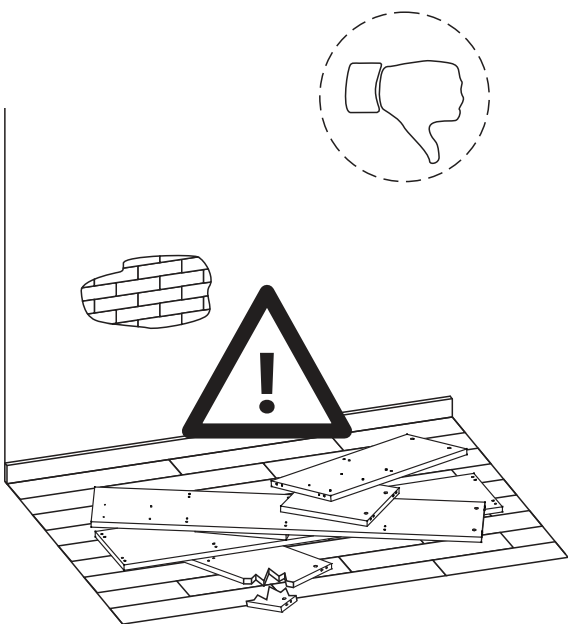
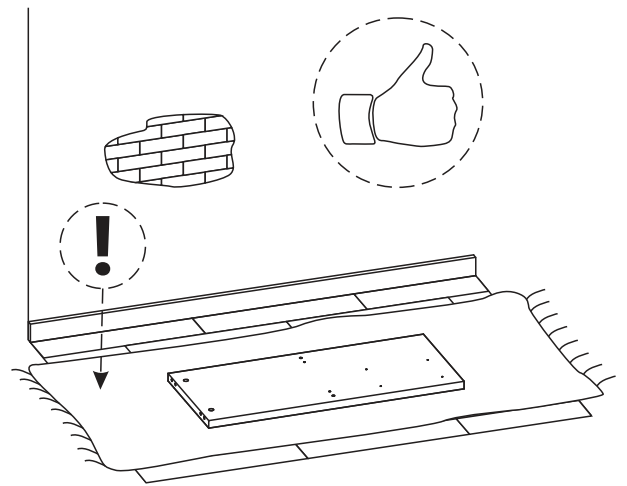
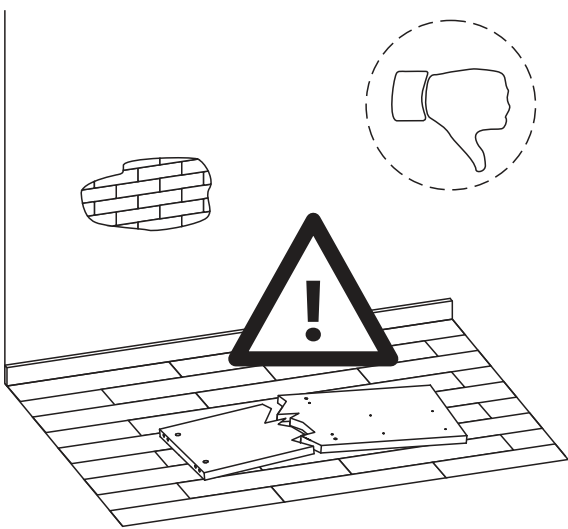
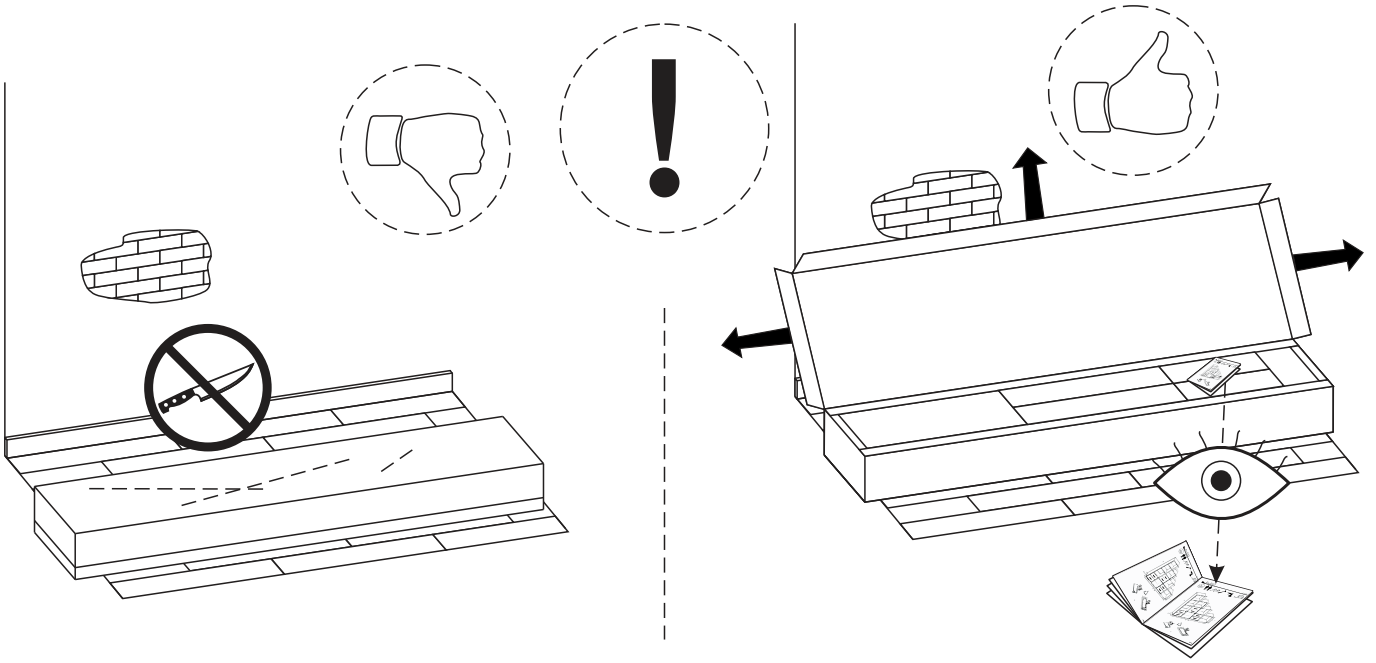
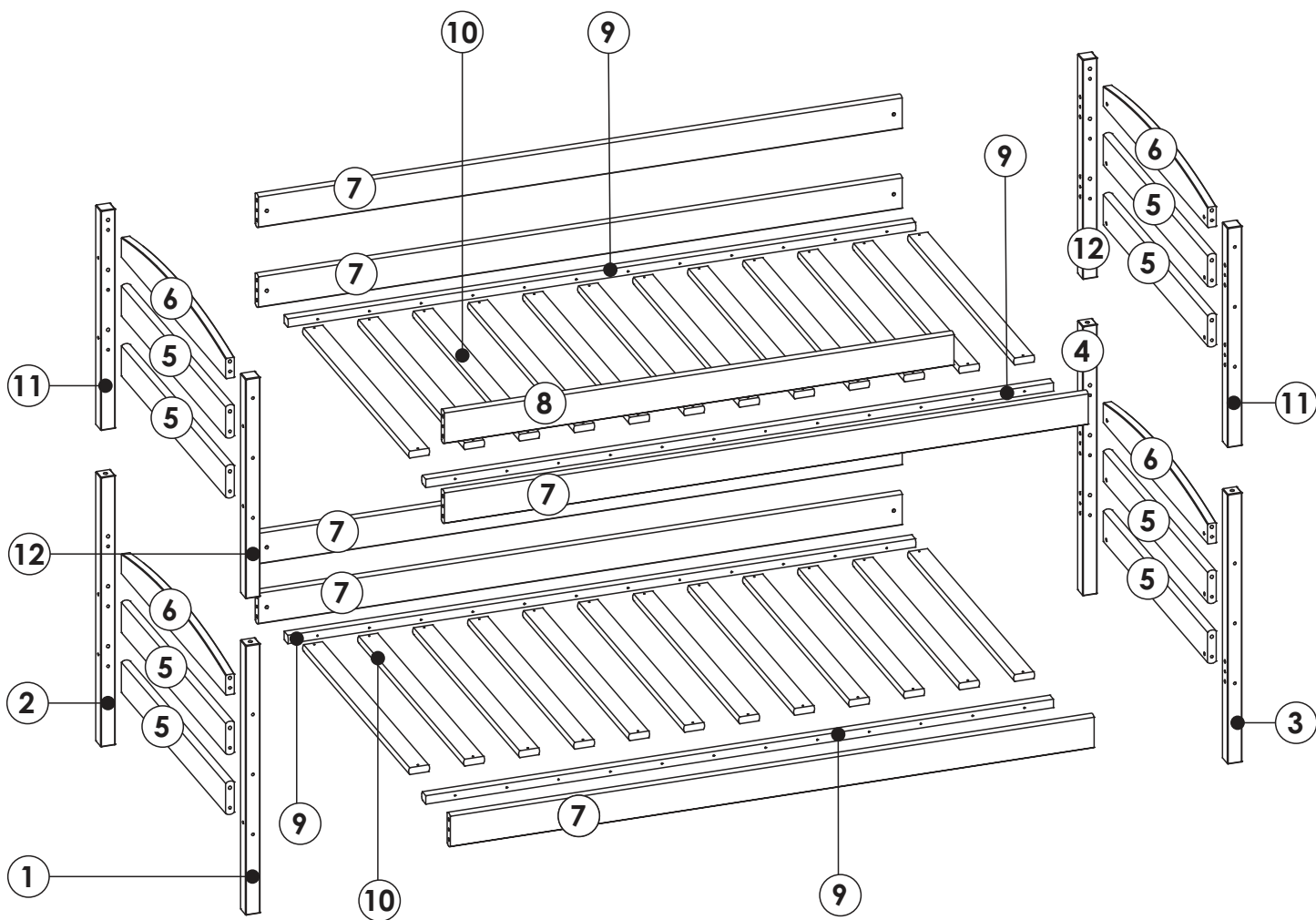
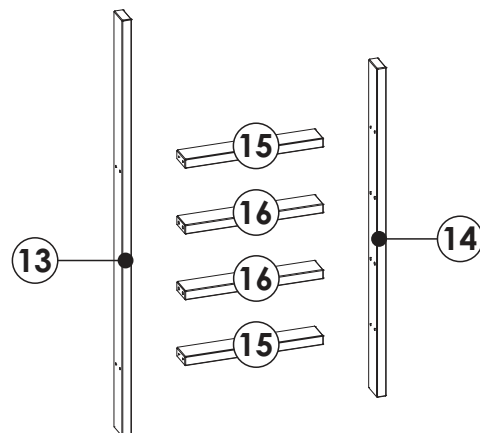
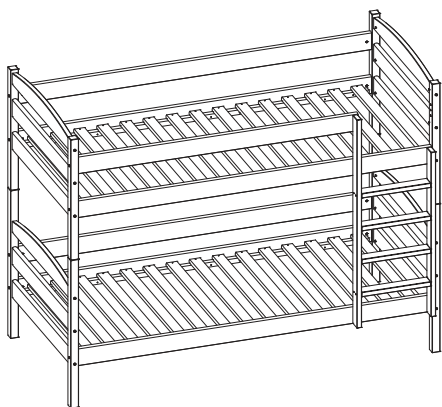


OSKAR





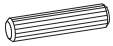
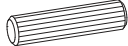
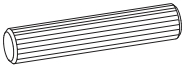


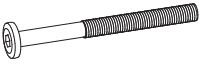


OSKAR




OSKAR


DPL 1	864	45	45	x1	ONDPL_01410
DTL 2	864	45	45	x1	ONDTL_01430
DPP 3	864	45	45	x1	ONDPP_01420
DTP 4	864	45	45	x1	ONDTP_01440
DST 5	685, 785, 885, 985	107	27	x8	DST_00120
DBS 6	685, 785, 885, 985	107	27	x4	DBS_01470
DN 7	1390,1590, 1690,1790, 1890, 1990	107	27	x6	DN_00110
DDD 8	975, 1175, 1275, 1375, 1475, 1575	107	27	x1	DNDDD_00140
LS 9	1340,1540, 1640,1740, 1840, 1940	35	27	x4	LS_00160
NGP 11	704	45	45	x2	ONGP_01460
NGL 12	704	45	45	x2	ONGL_01450
DDP 13	1215	65	27	x1	DDP4S_00630
DDP 14	960	65	27	x1	DDP4S_00620
DSS 15	390	65	27	x2	DSS_00210
DSK 16	390	65	27	x2	DSK_00220

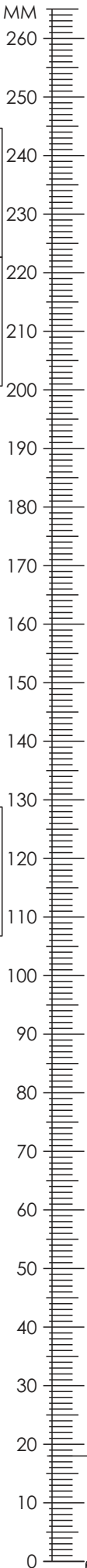
OSKAR

<p>A1 akc_0001</p>  <p>8 x 35 mm</p> <p style="text-align: right;">x8</p>	<p>A2 akc_0002</p>  <p>10 x 40 mm</p> <p style="text-align: right;">x50</p>	<p>A3 akc_0003</p>  <p>12 x 60 mm</p> <p style="text-align: right;">x4</p>
<p>K1 akc_0004</p>  <p>6,4 x 50 mm</p> <p style="text-align: right;">x8</p>	<p>M akc_0005</p>  <p style="text-align: right;">x1</p>	<p>N1 akc_0006</p>  <p>6 x 80 mm</p> <p style="text-align: right;">x37</p>
<p>S1 akc_0008</p>  <p>10 x 16 mm</p> <p style="text-align: right;">x37</p>	<p>W4 akc_0012</p>  <p>4 x 60 mm</p> <p style="text-align: right;">x5</p>	

----- **OPTION** -----

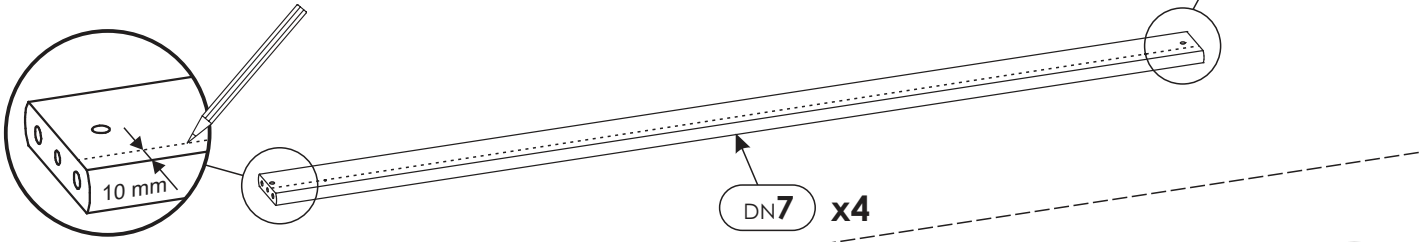
<p>W1 akc_0009</p>  <p>3,5 x 40 mm</p> <p style="text-align: right;">40 < x < 60</p>

<p>W3 akc_0011</p>  <p>4 x 50 mm</p> <p style="text-align: right;">40 < x < 48</p>

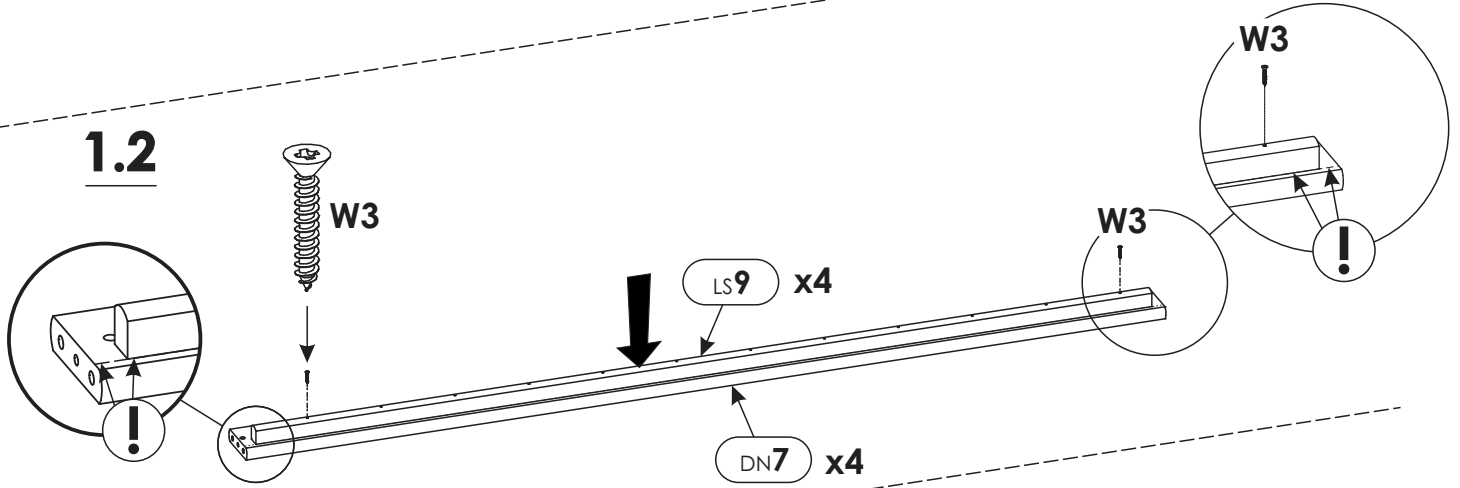


1.

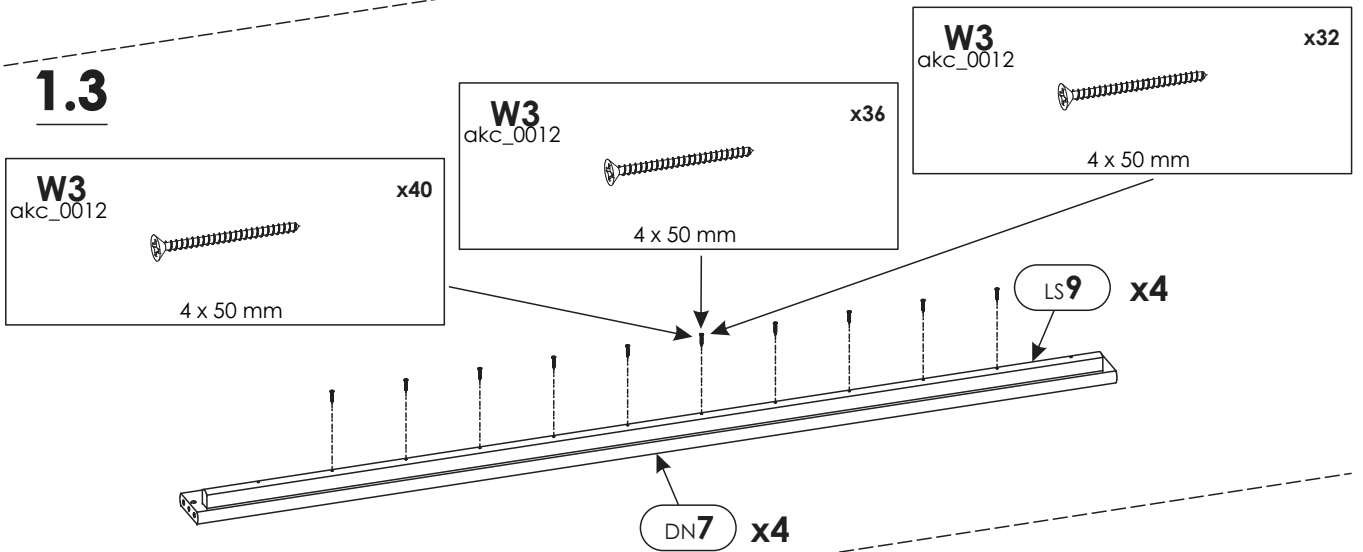
1.1



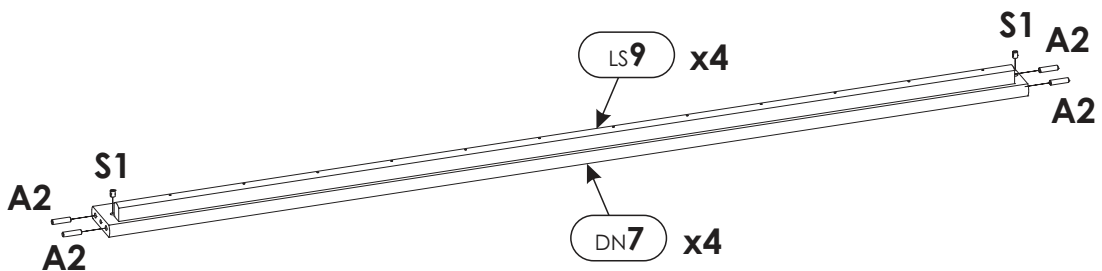
1.2



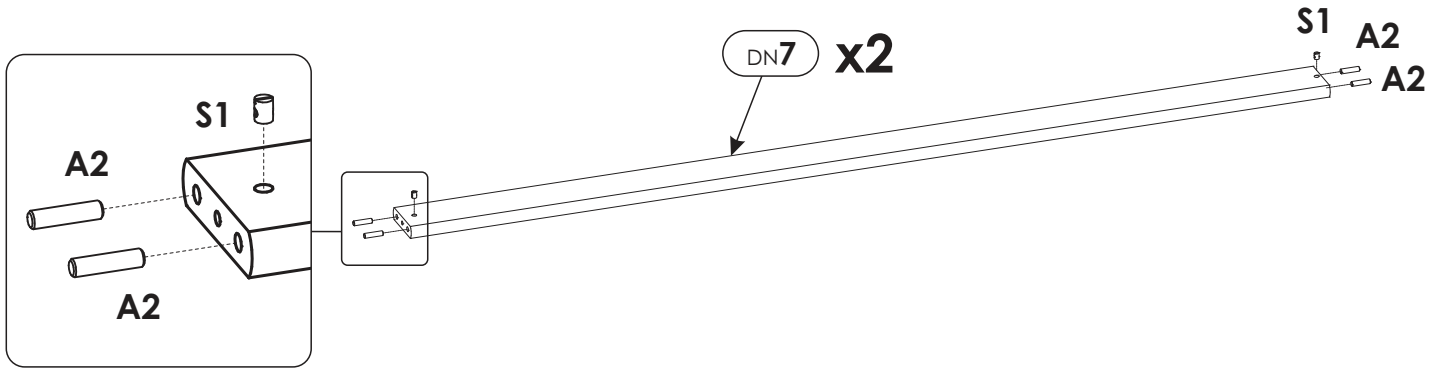
1.3



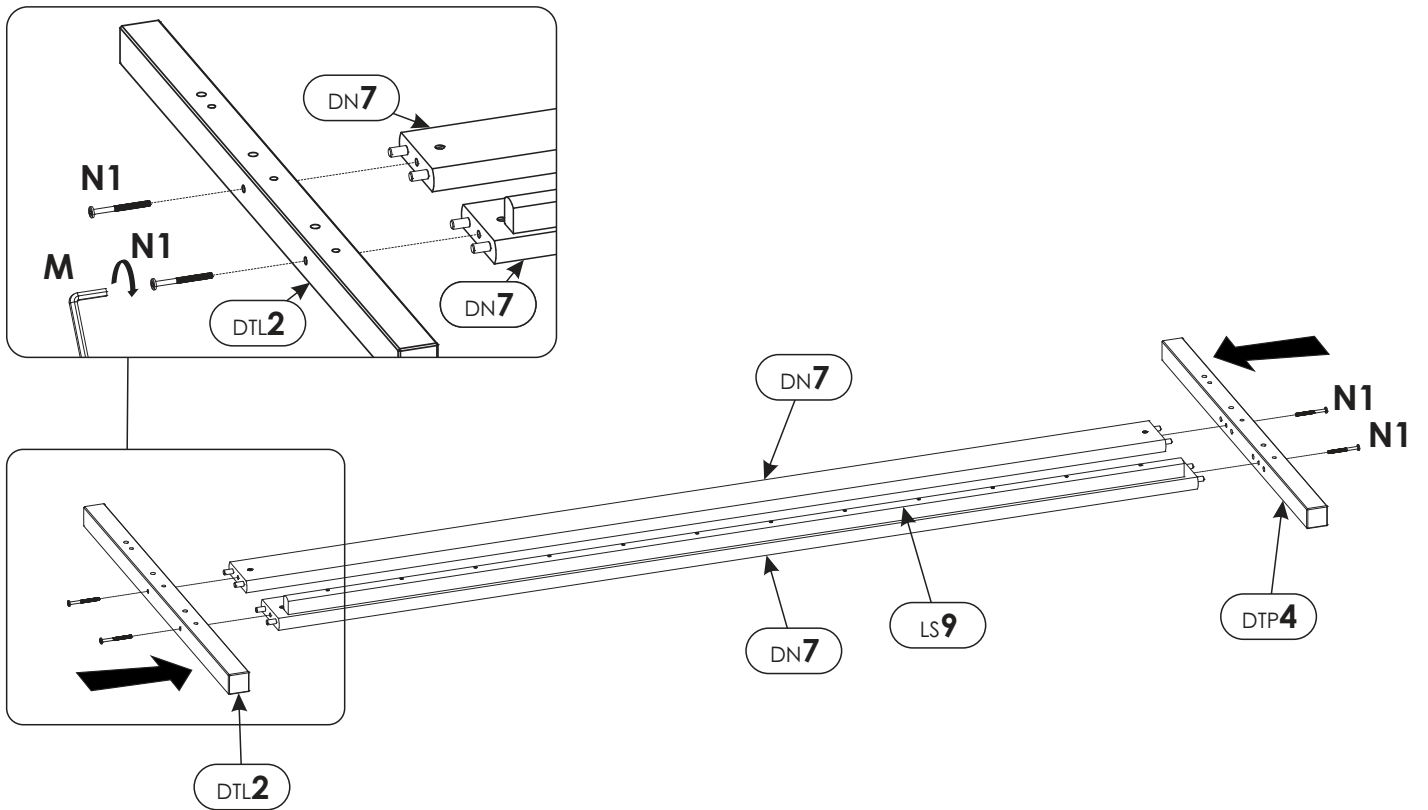
1.4



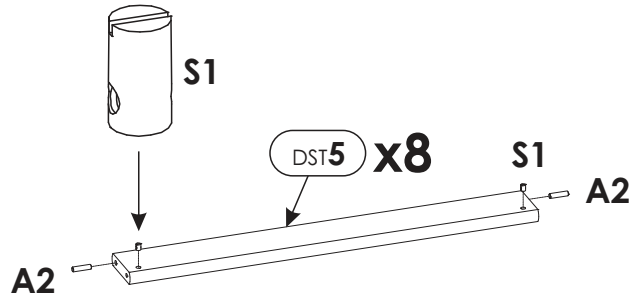
2.



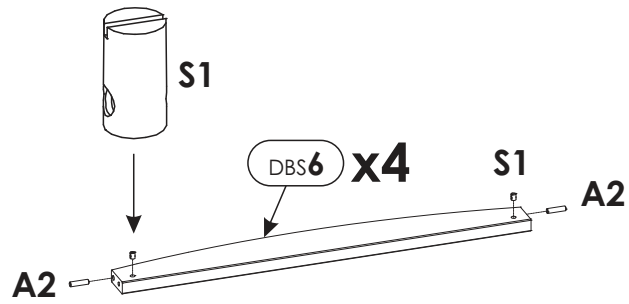
3.



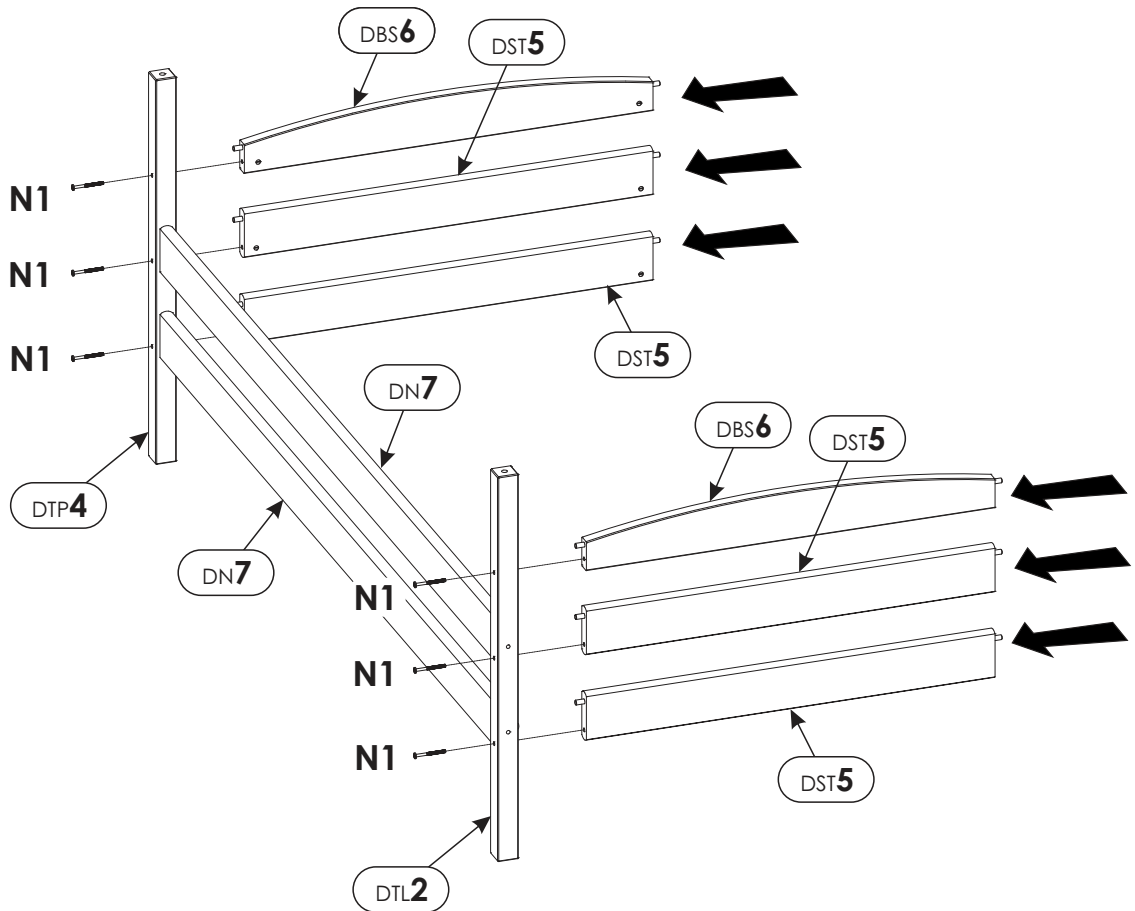
4.



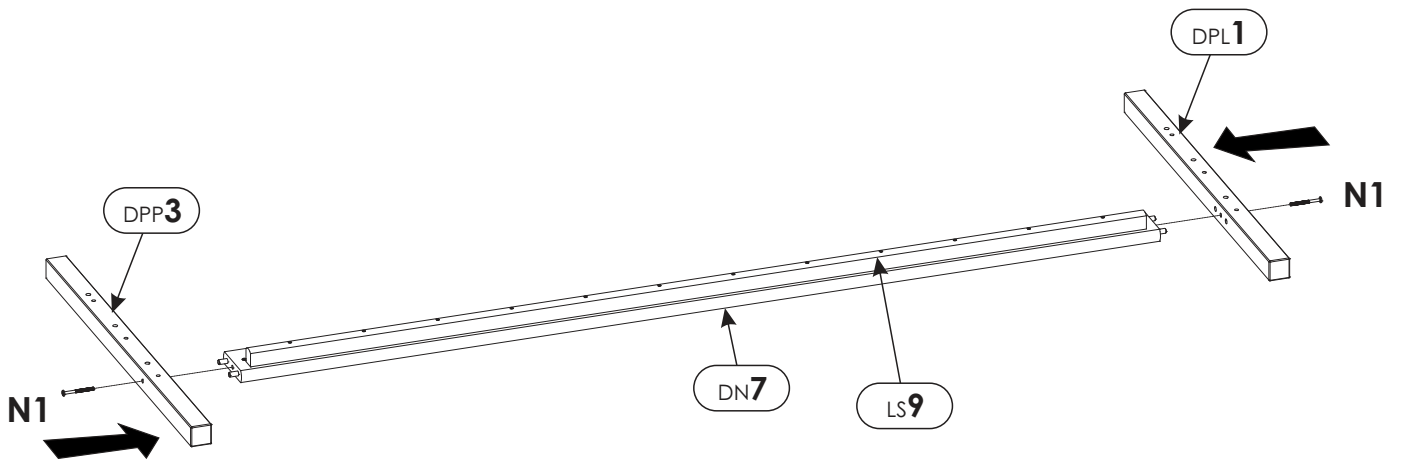
5.



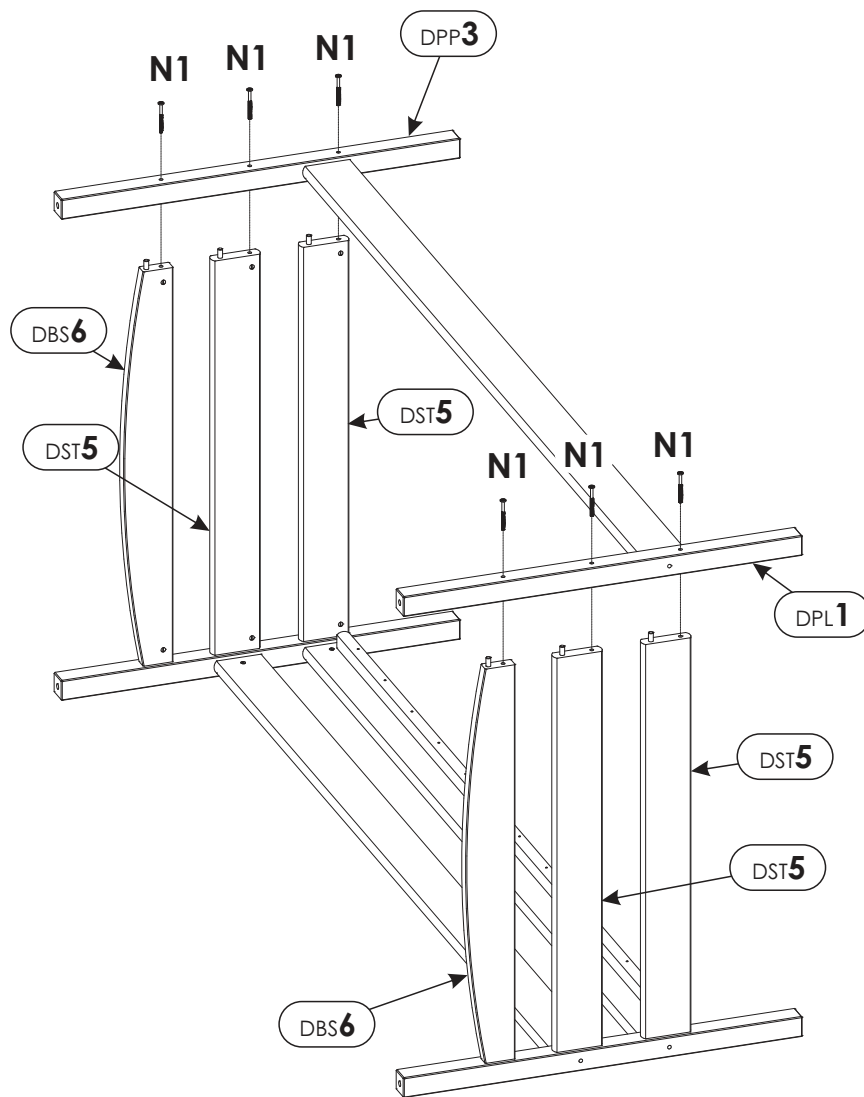
6.



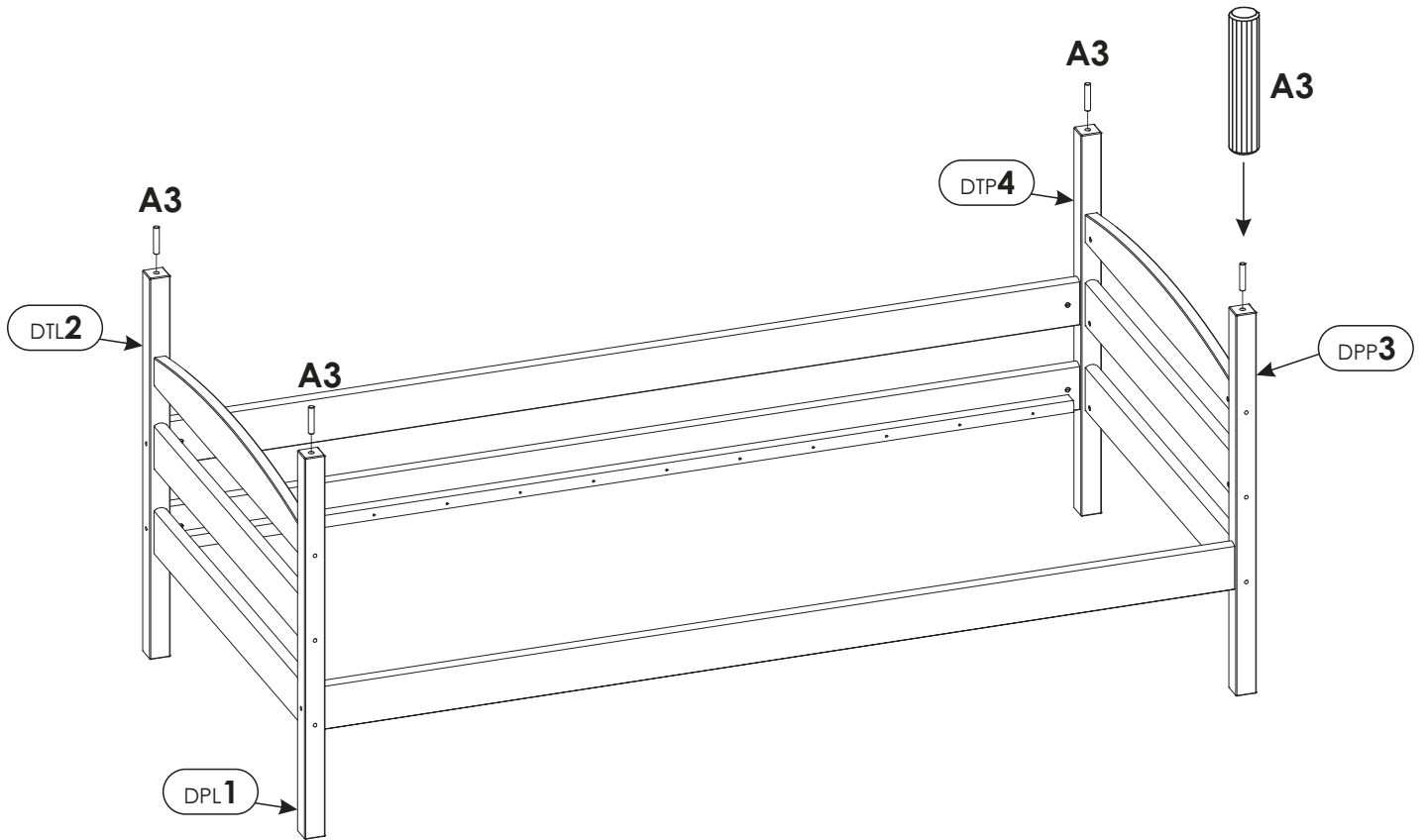
7.



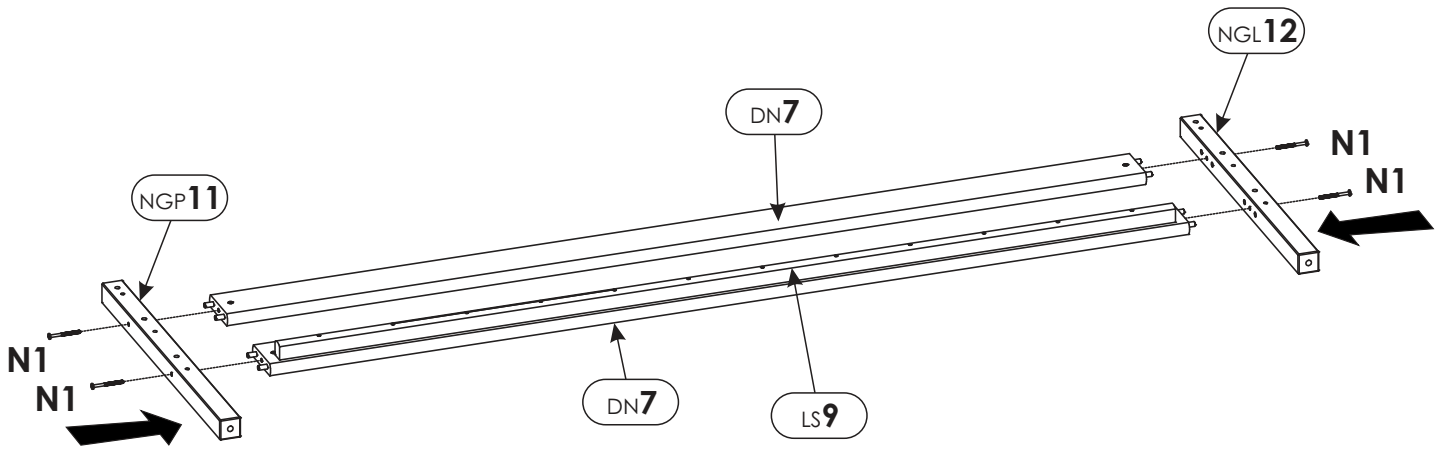
8.



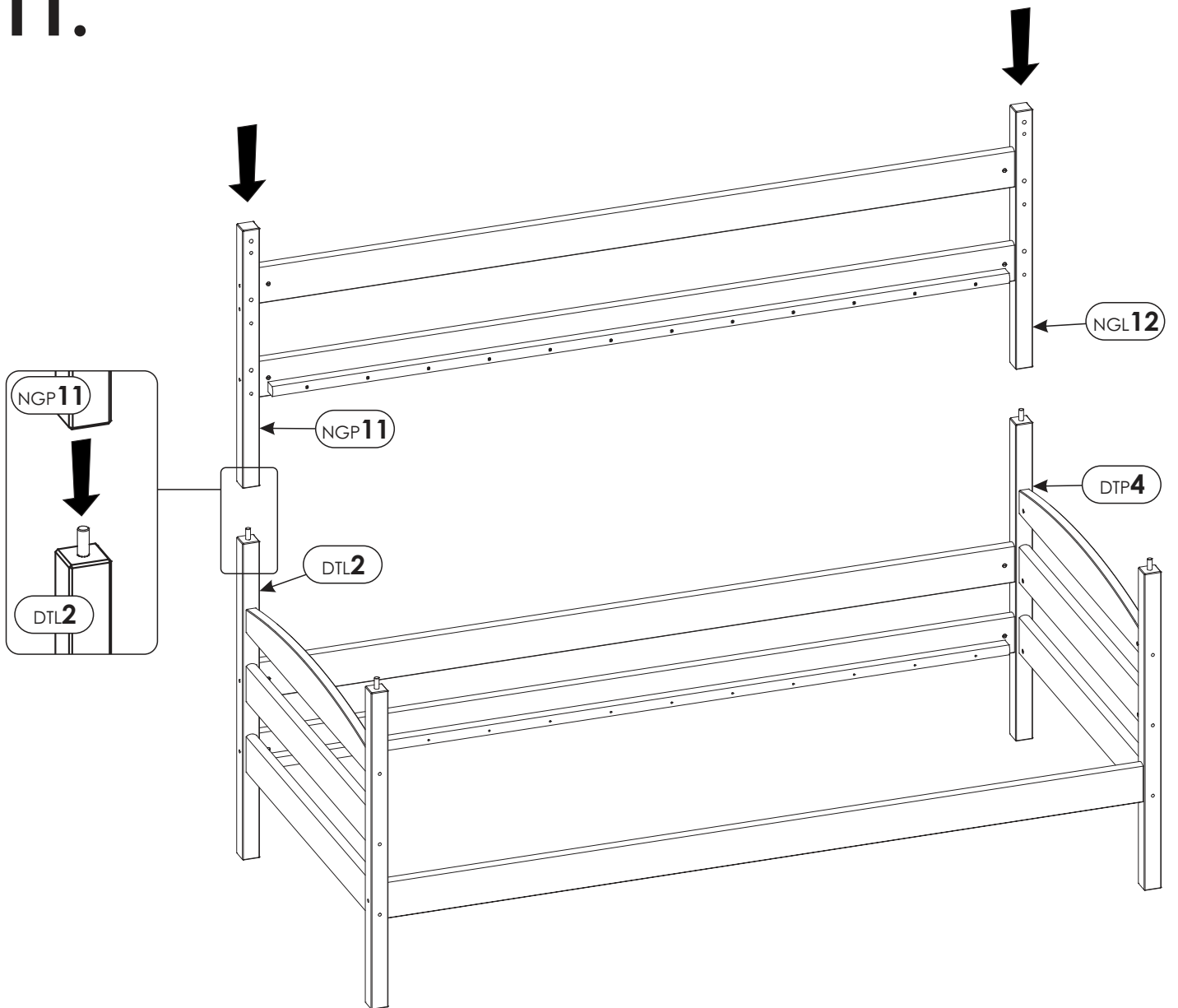
9.



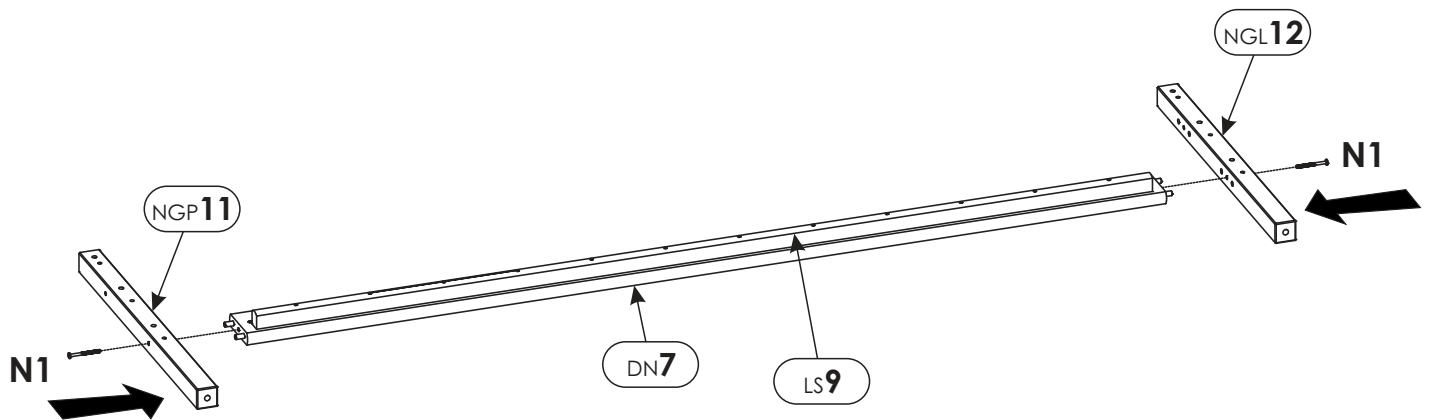
10.



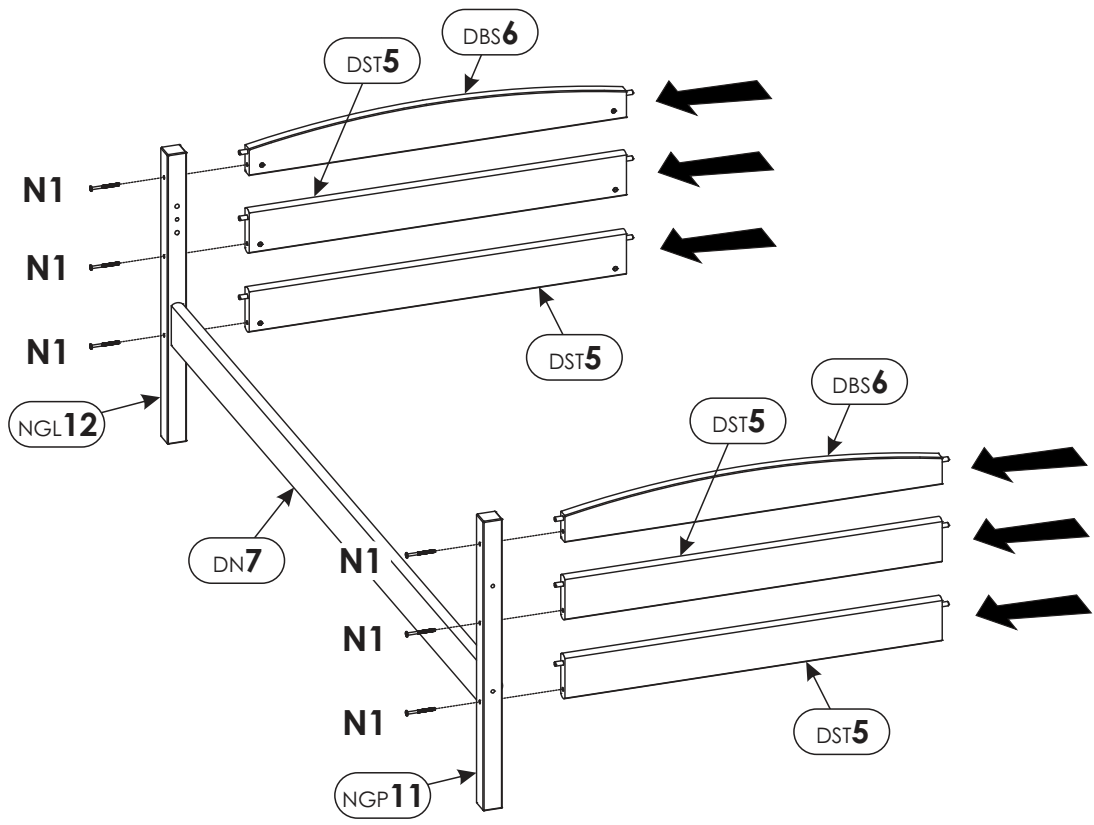
11.



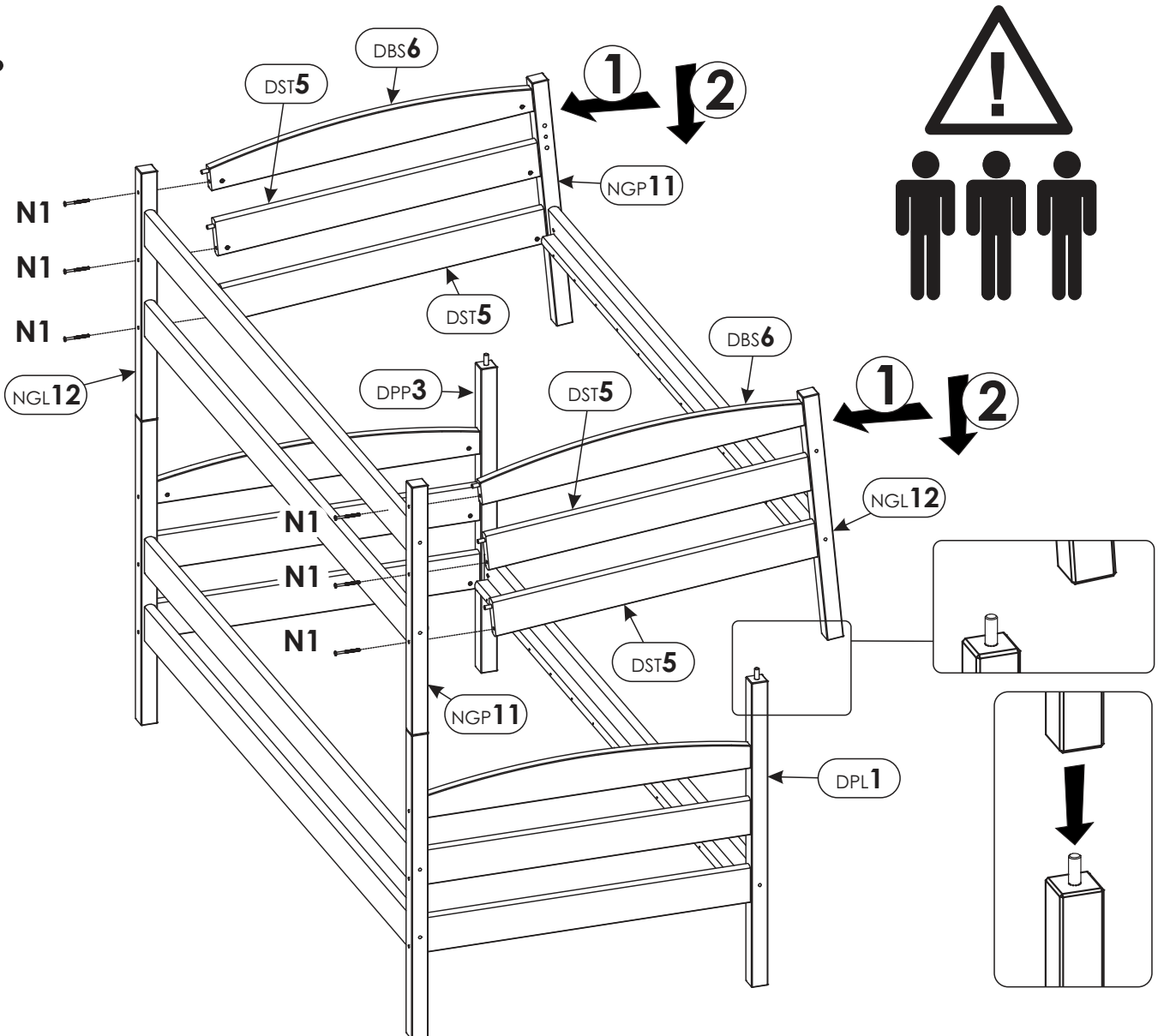
12.



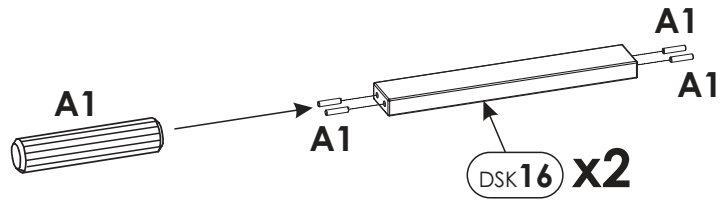
13.



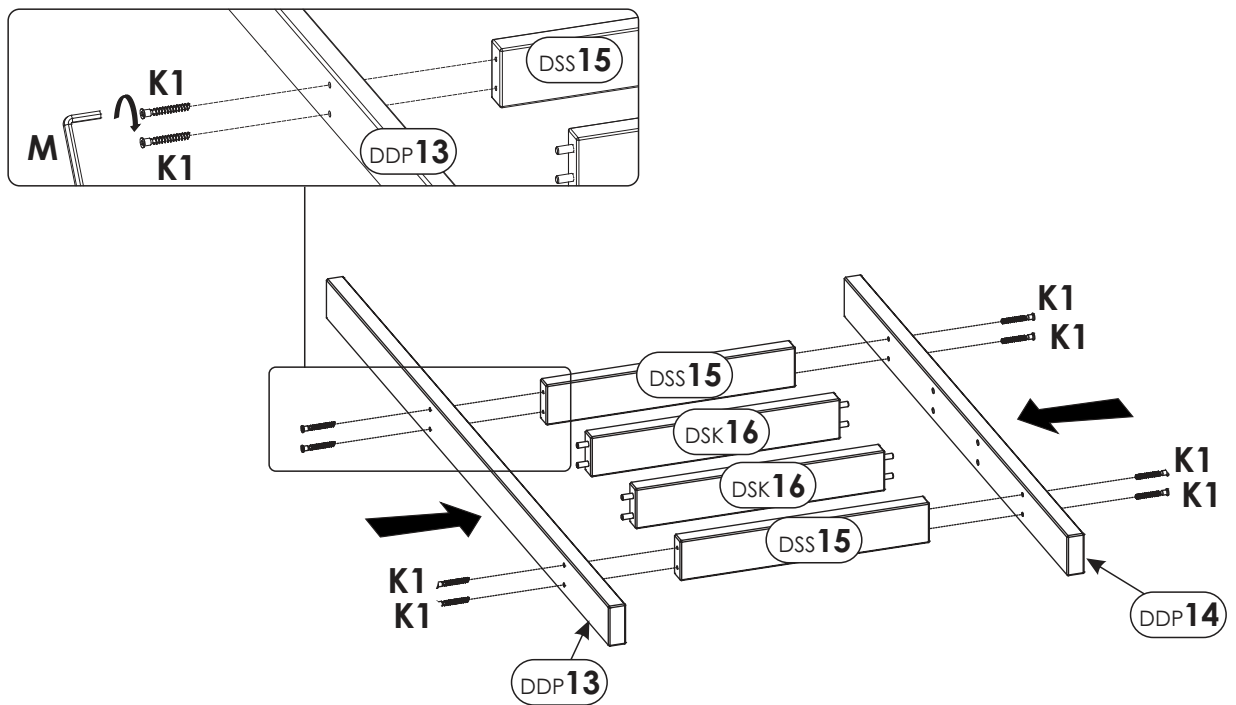
14.



15.



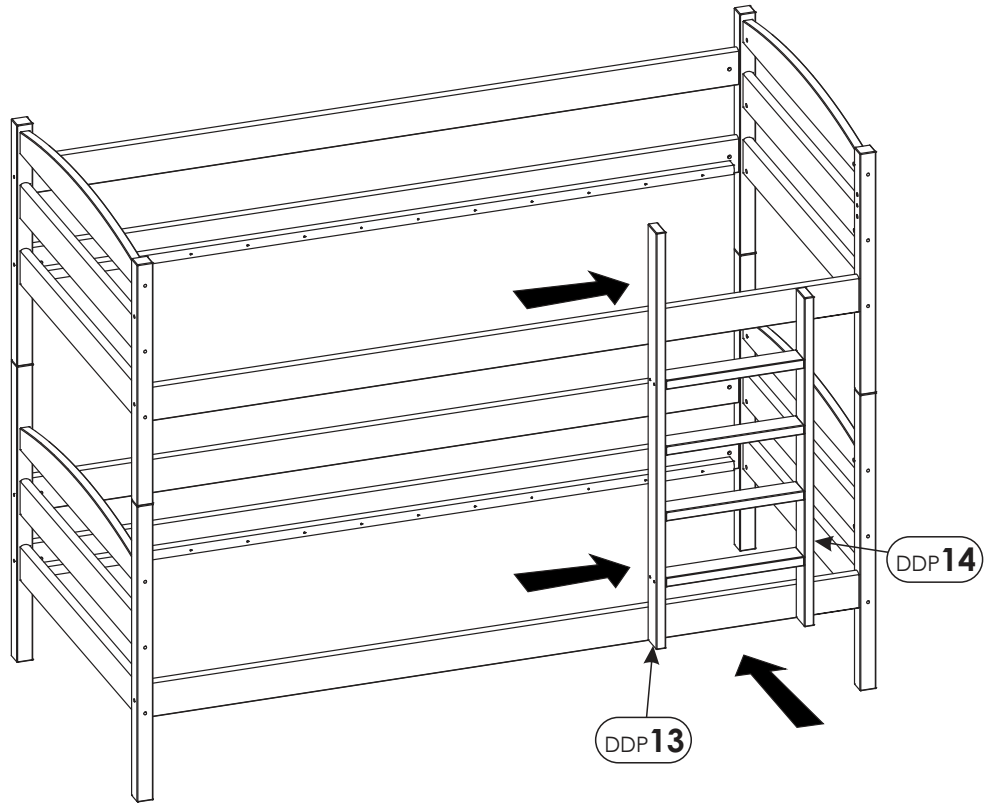
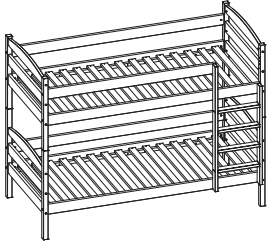
16.



17.

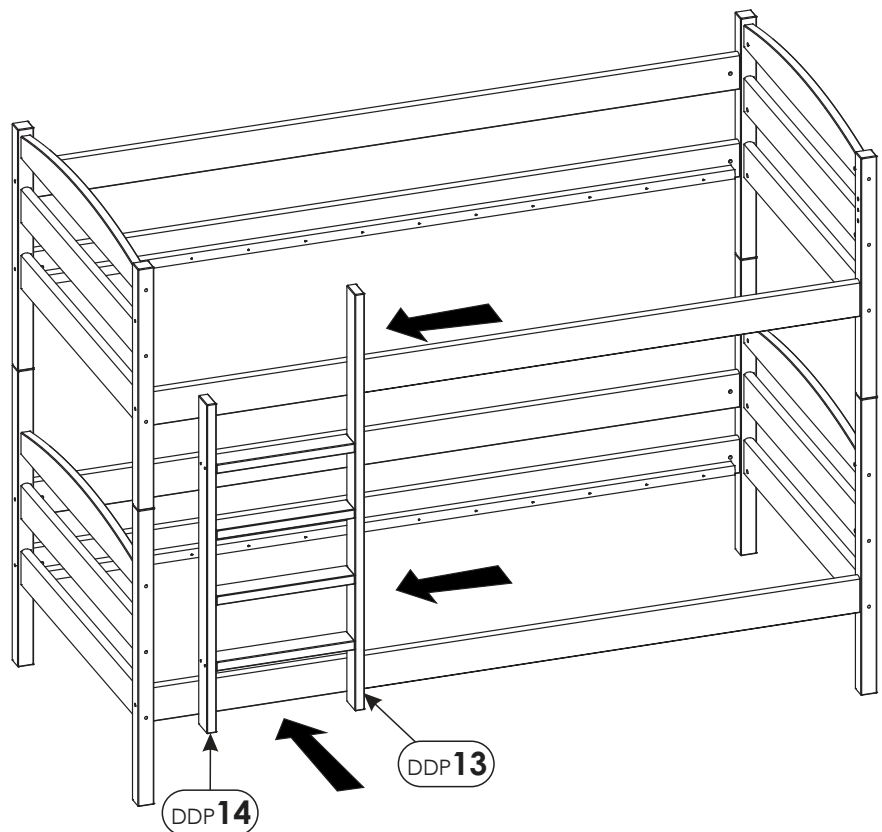
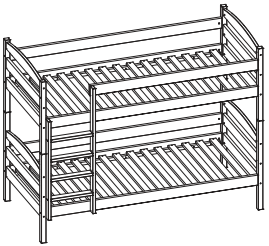
17.1

R



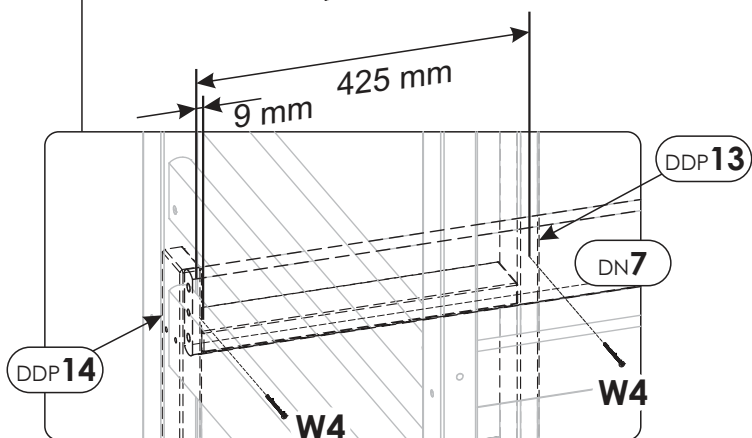
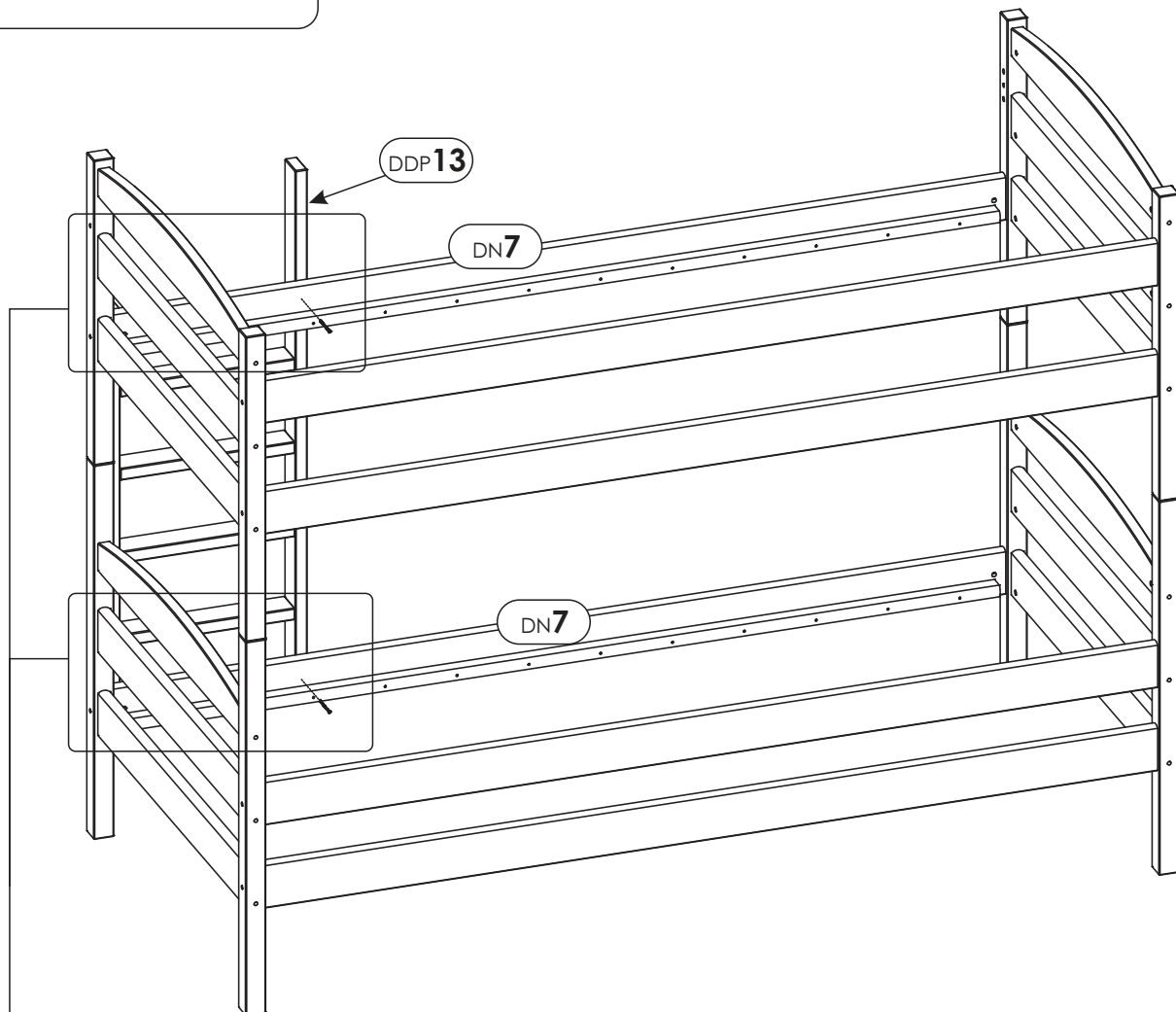
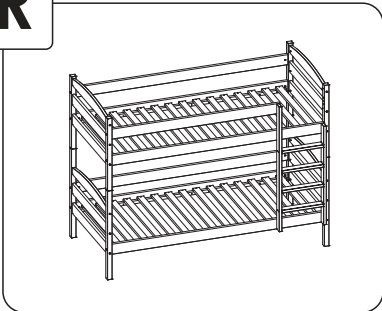
17.2

L



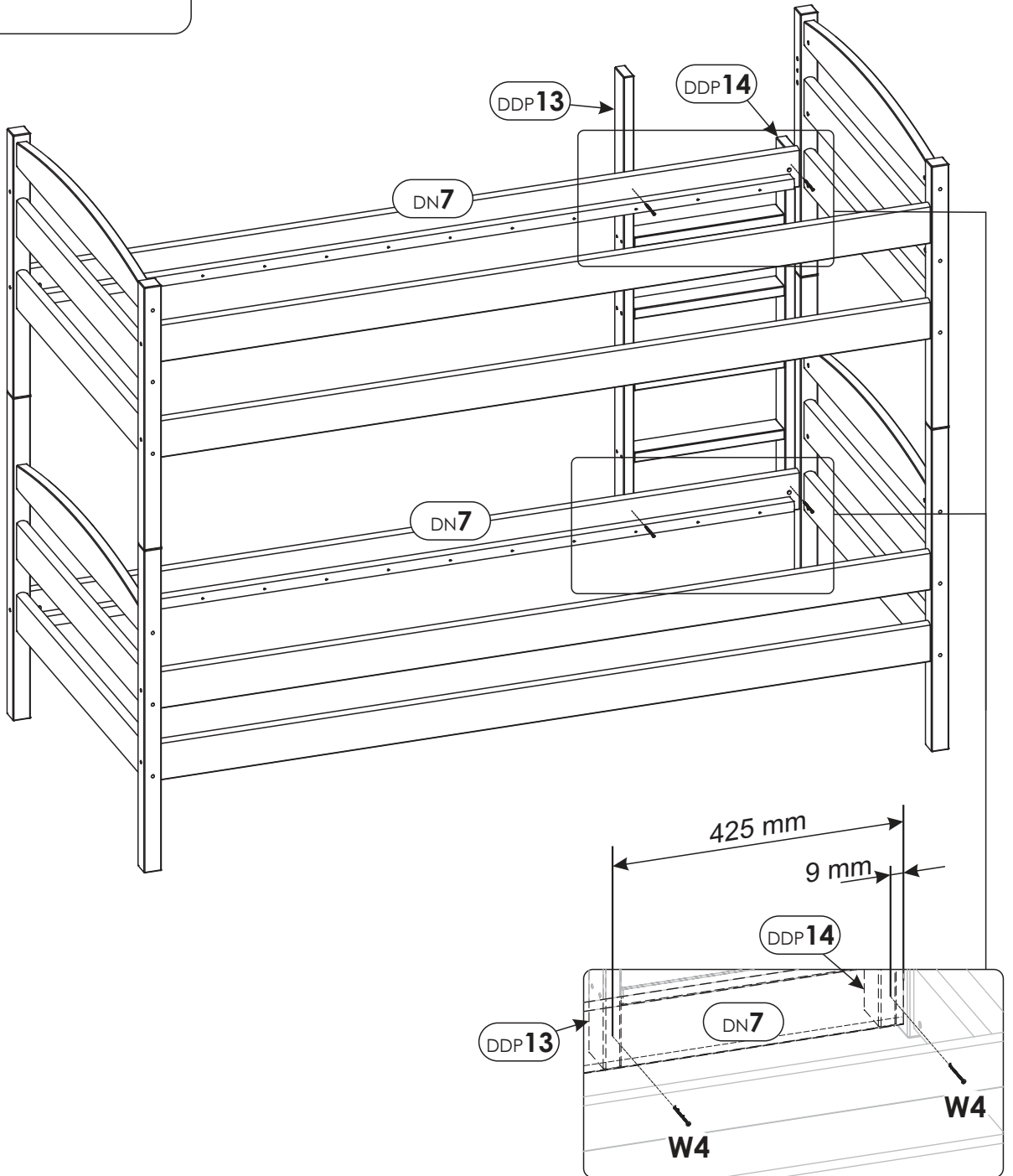
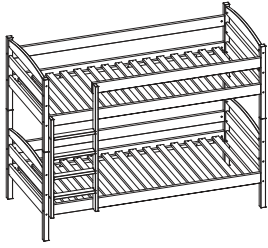
18.

R

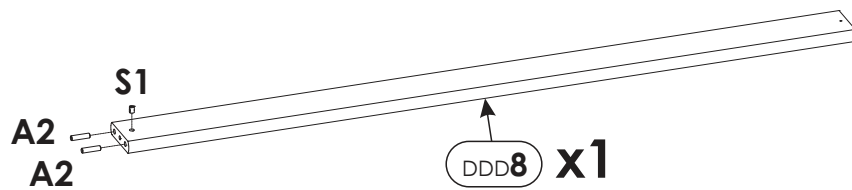


19.

L

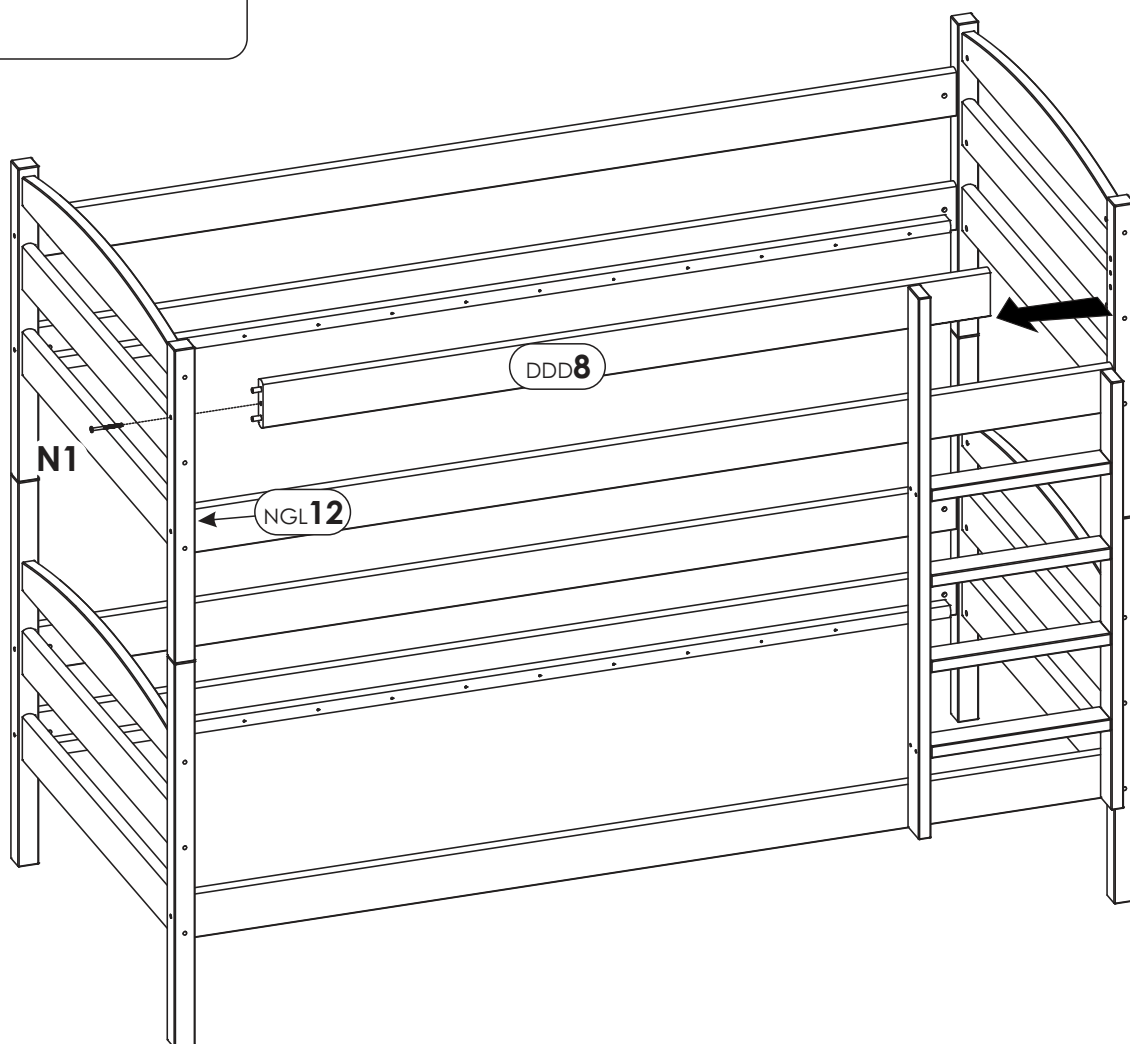
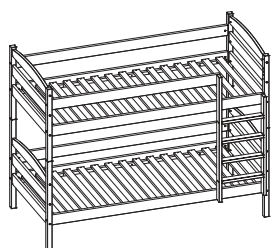


20.



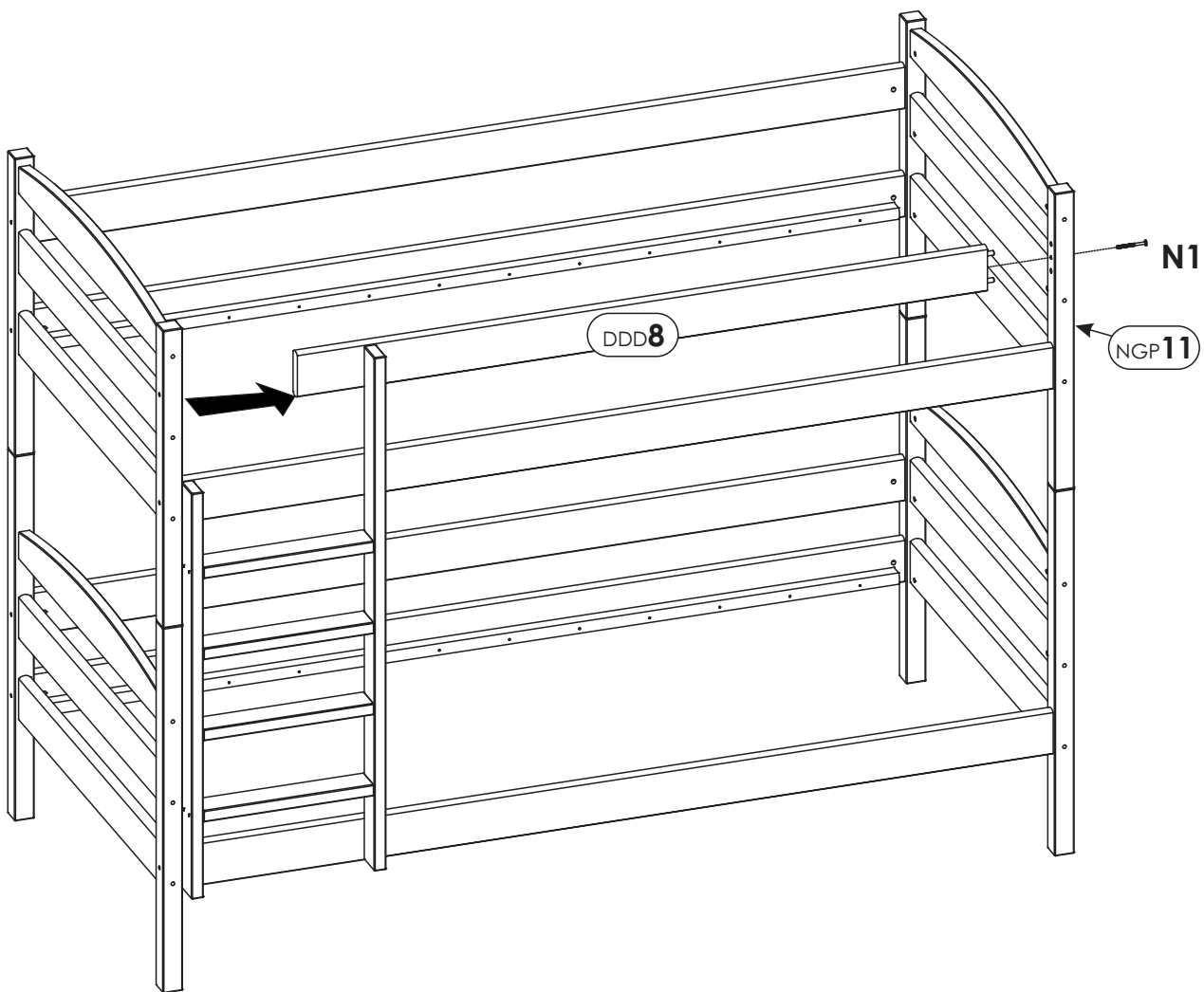
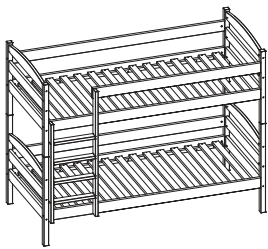
21.

R



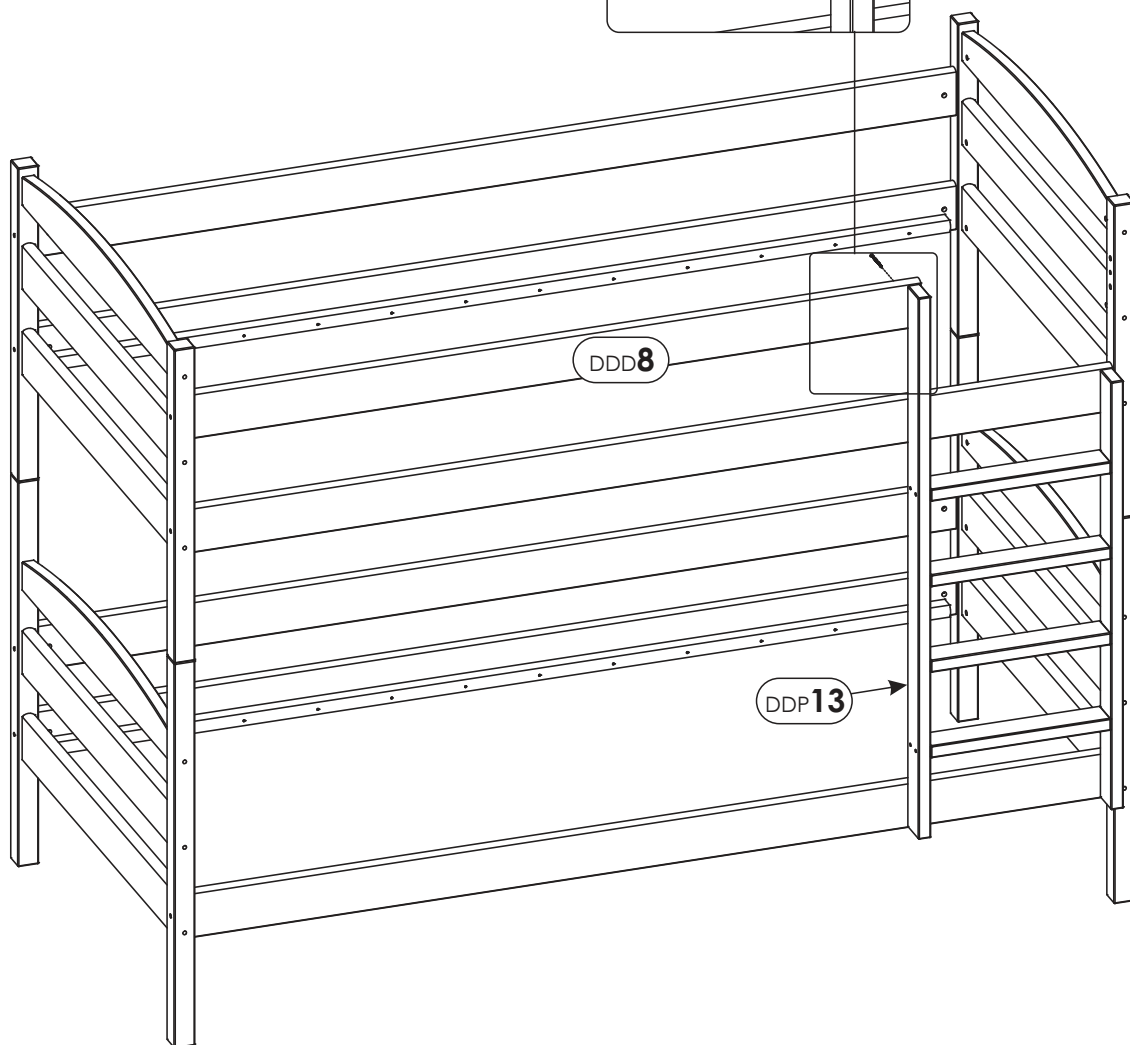
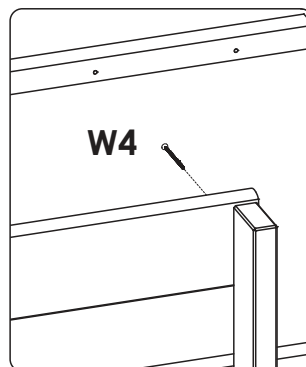
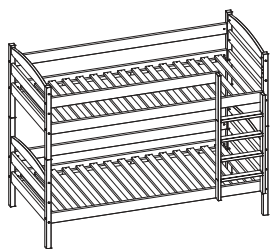
22.

L



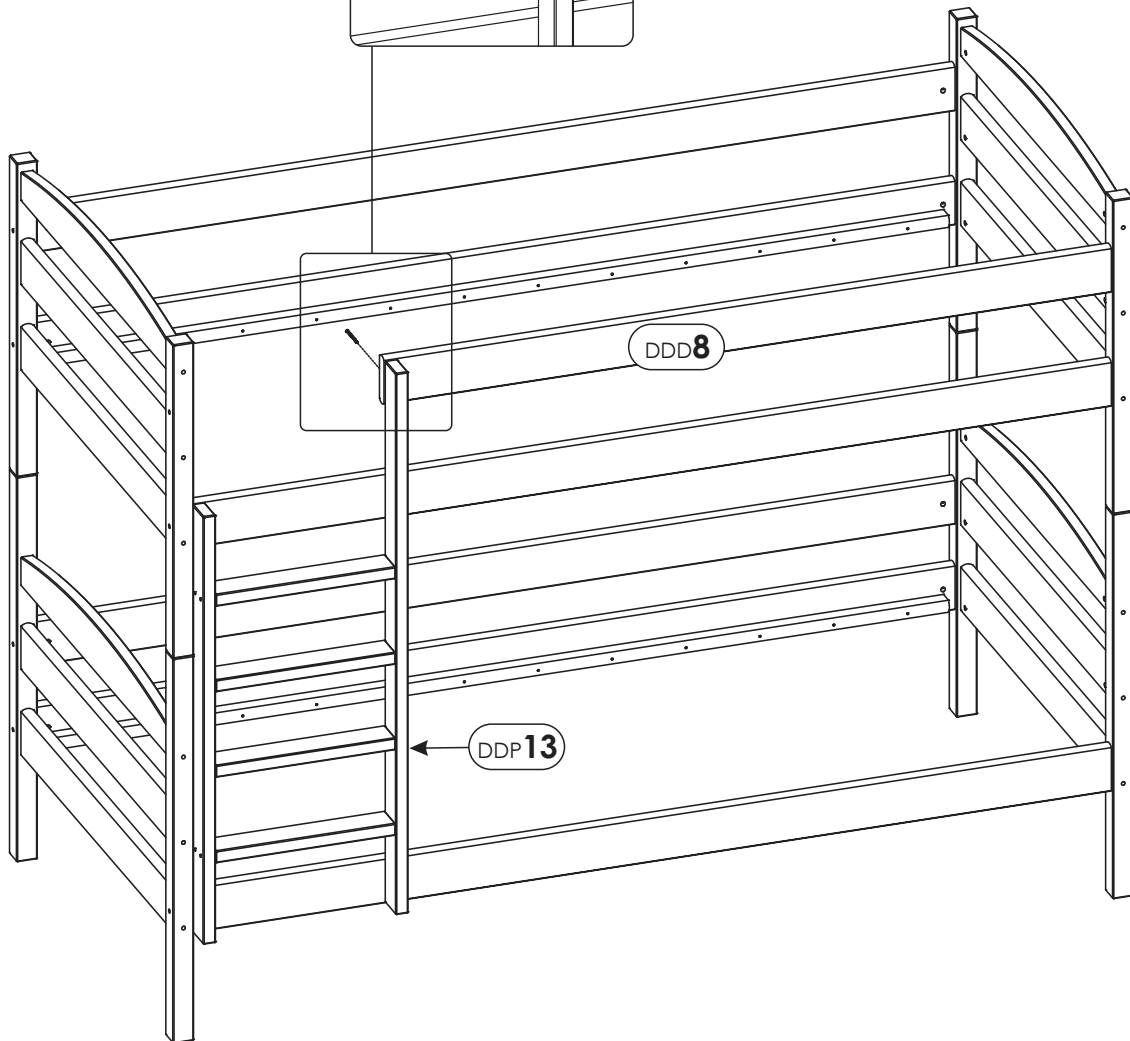
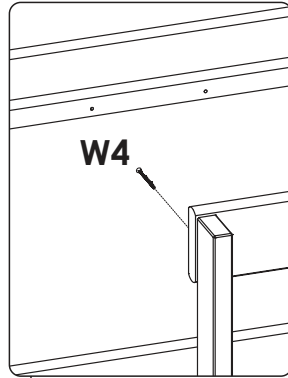
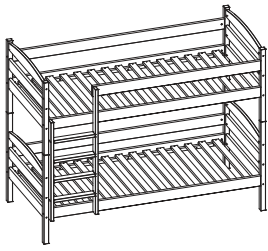
23.

R

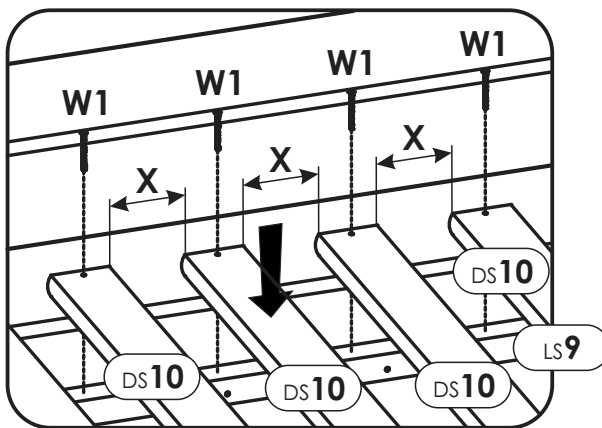
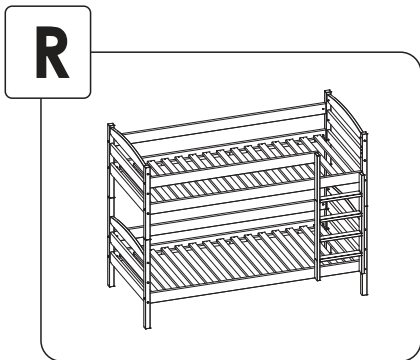


24.

L

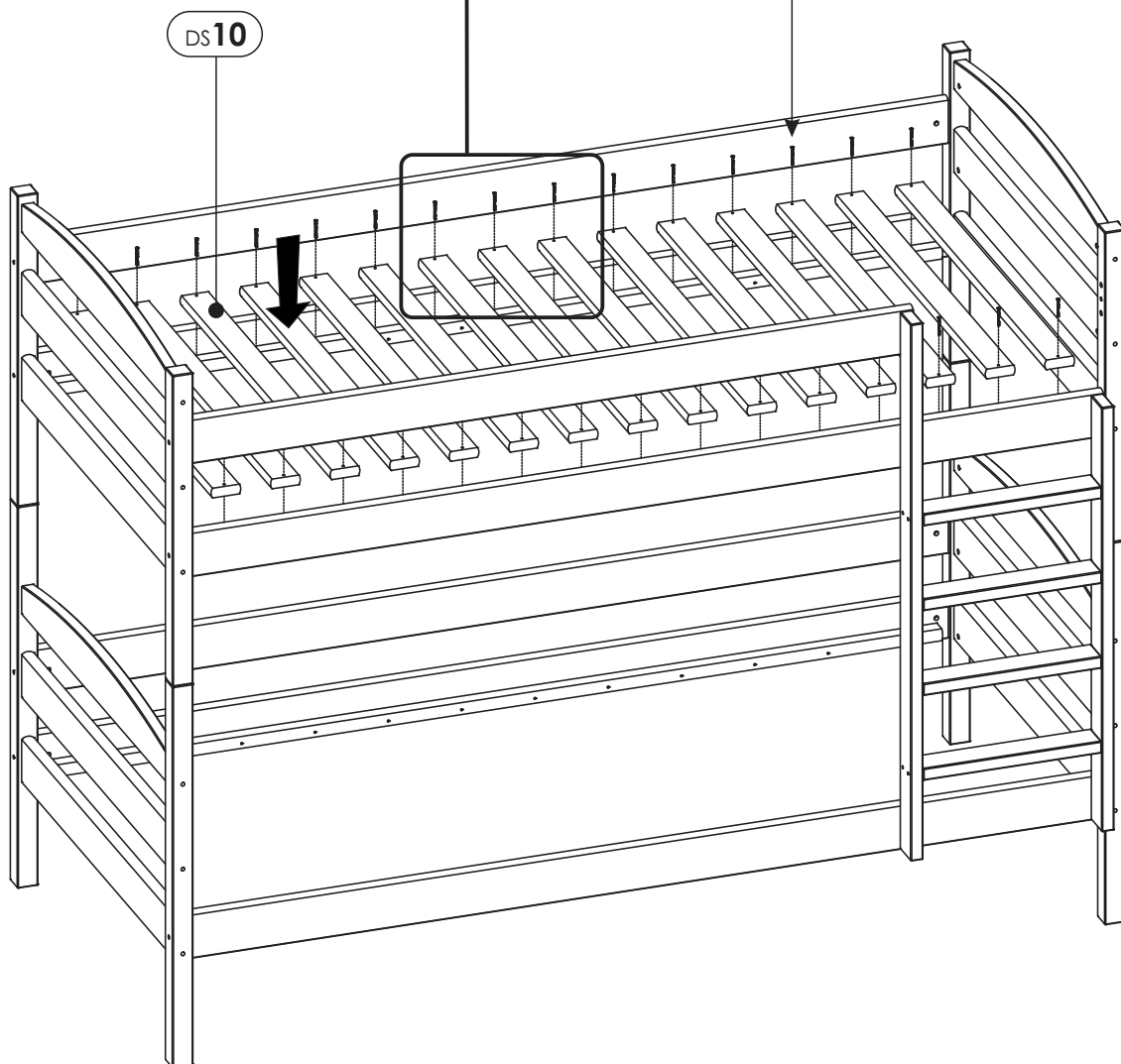


25.



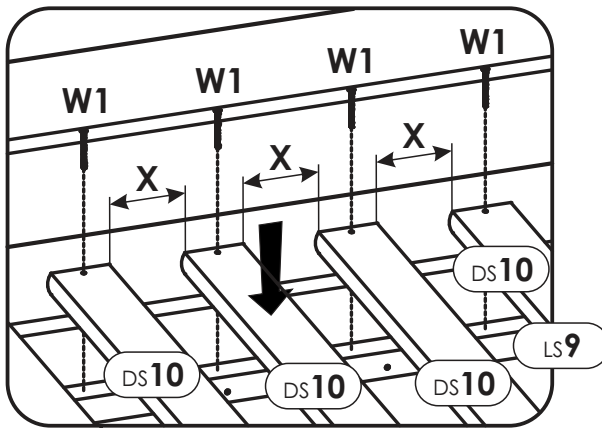
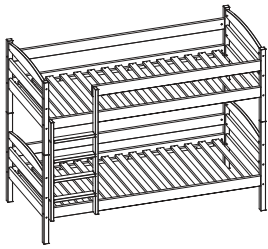
OPTION:

- x30
- x28
- W1** x26
- x24
- x20



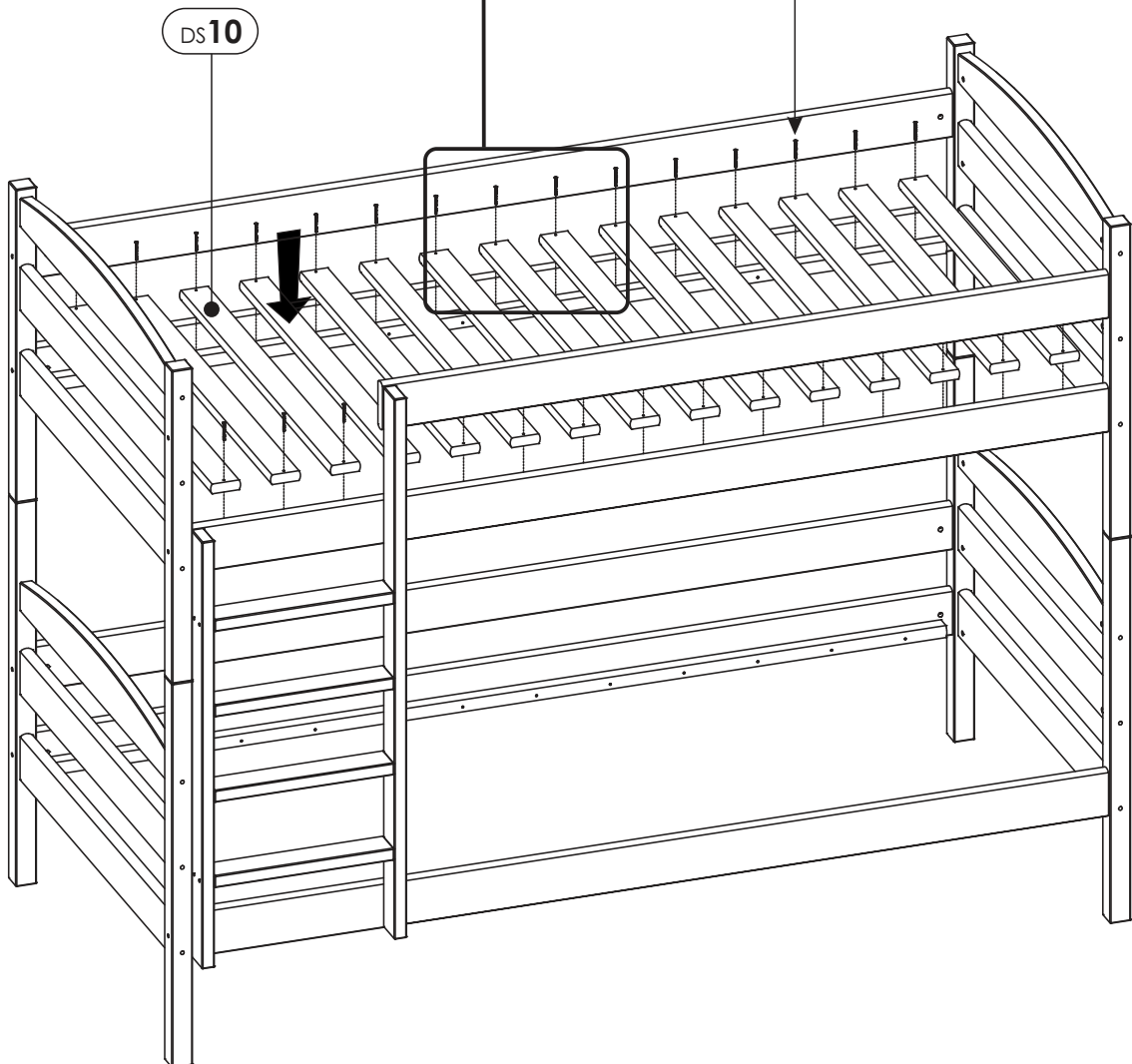
26.

L



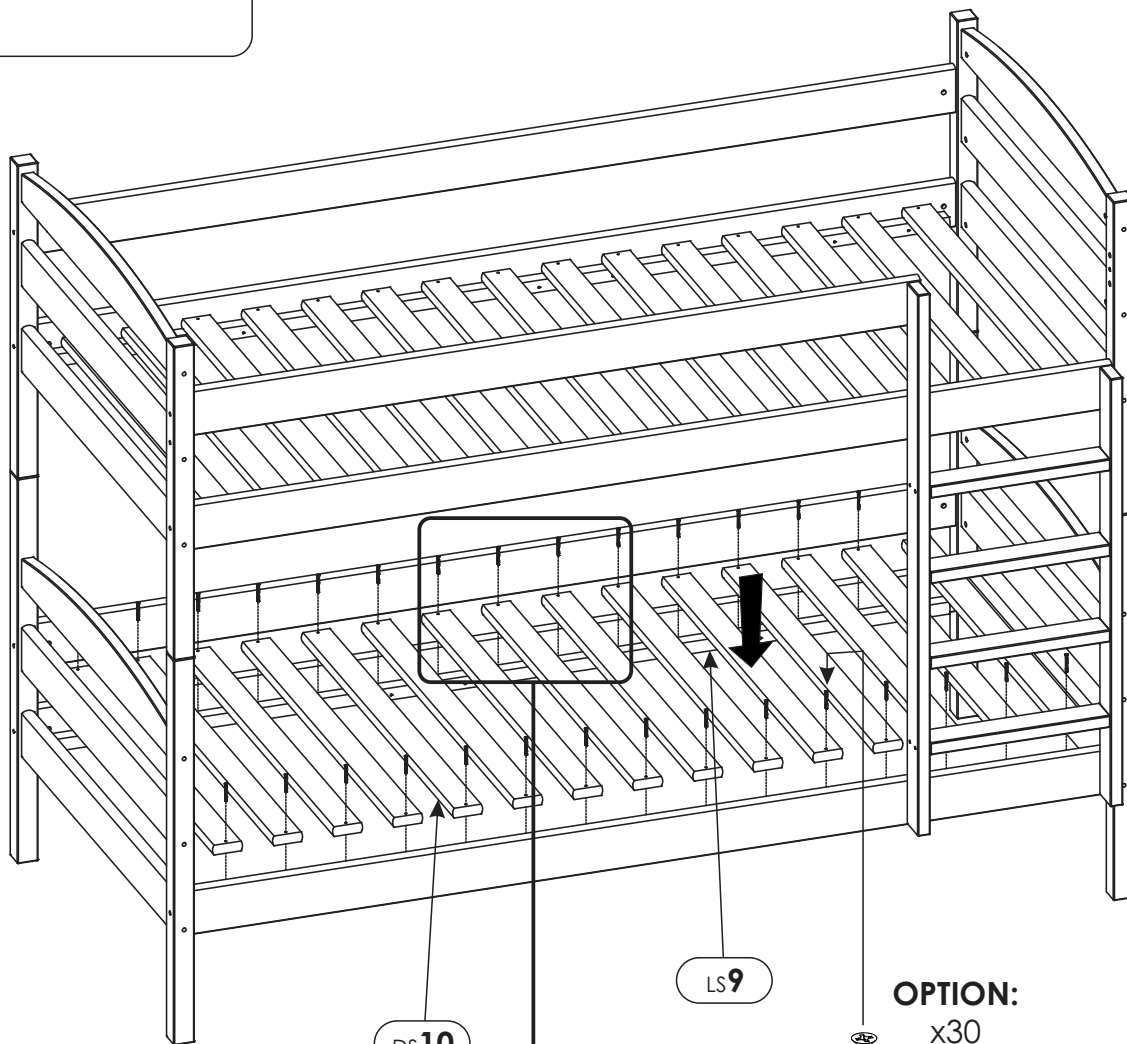
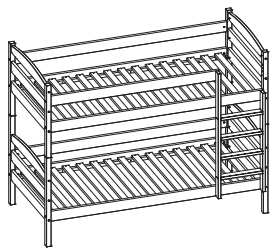
OPTION:

- x30
- x28
- W1** x26
- x24
- x20



27.

R

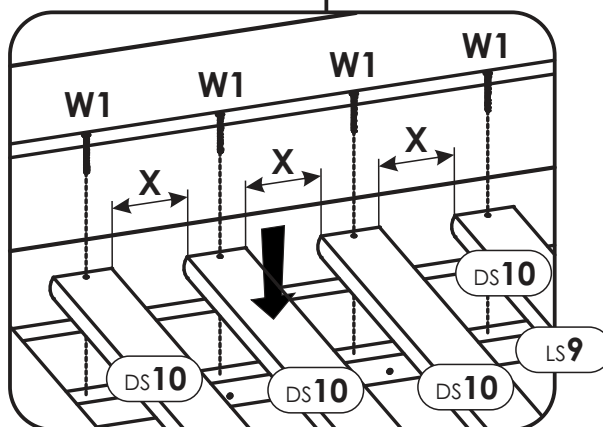


DS 10

LS 9

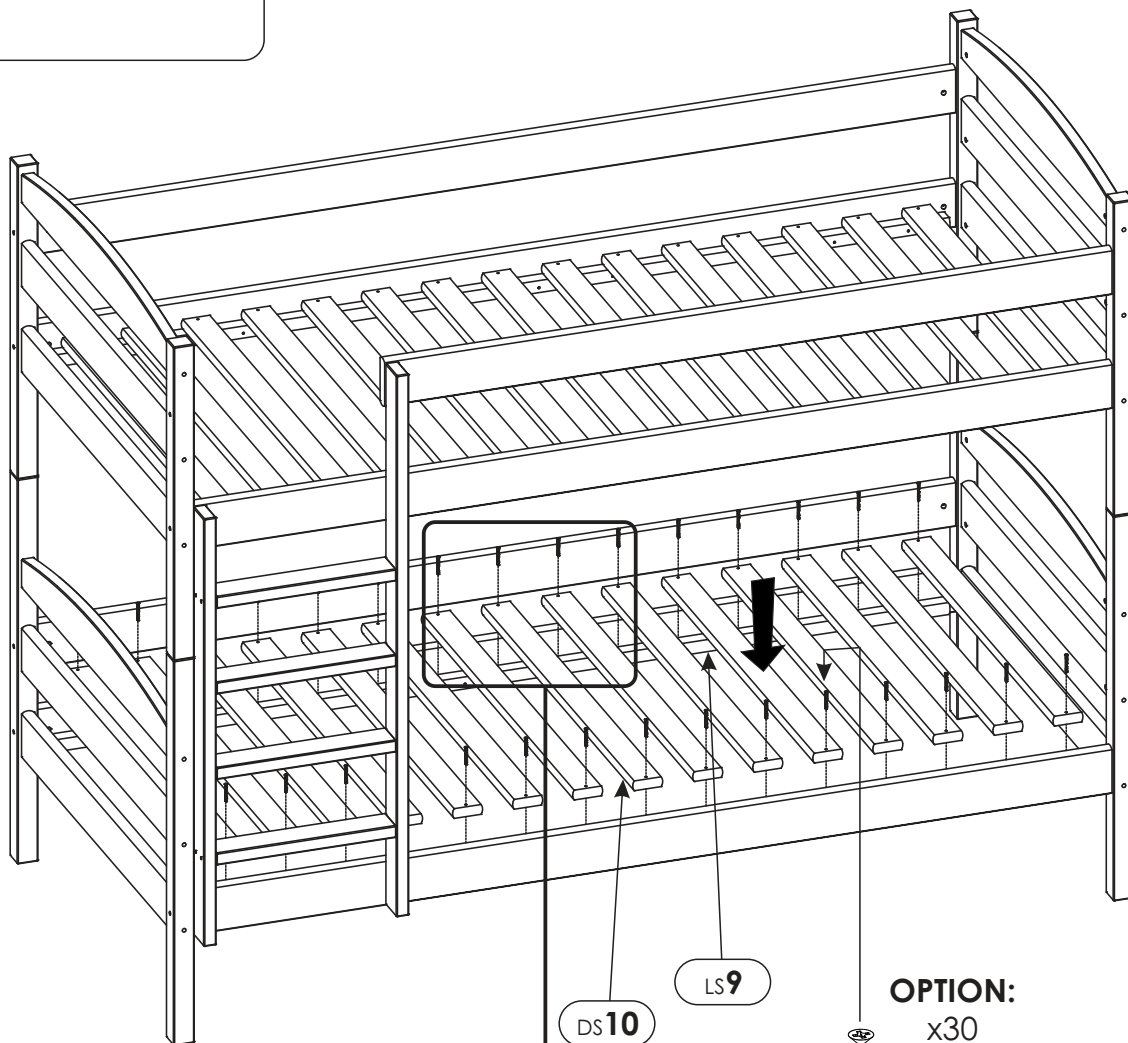
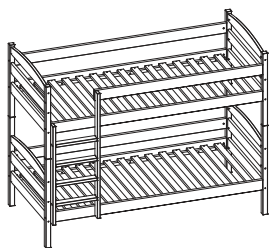
OPTION:

- x30
- x28
- W1** x26
- x24
- x20



28.

L



OPTION:

- x30
- x28
- W1** x26
- x24
- x20

