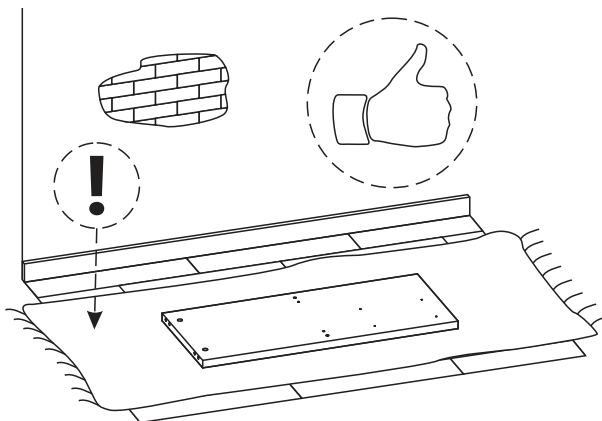
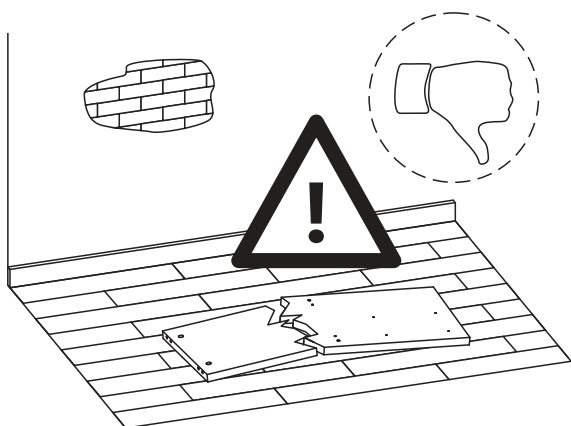
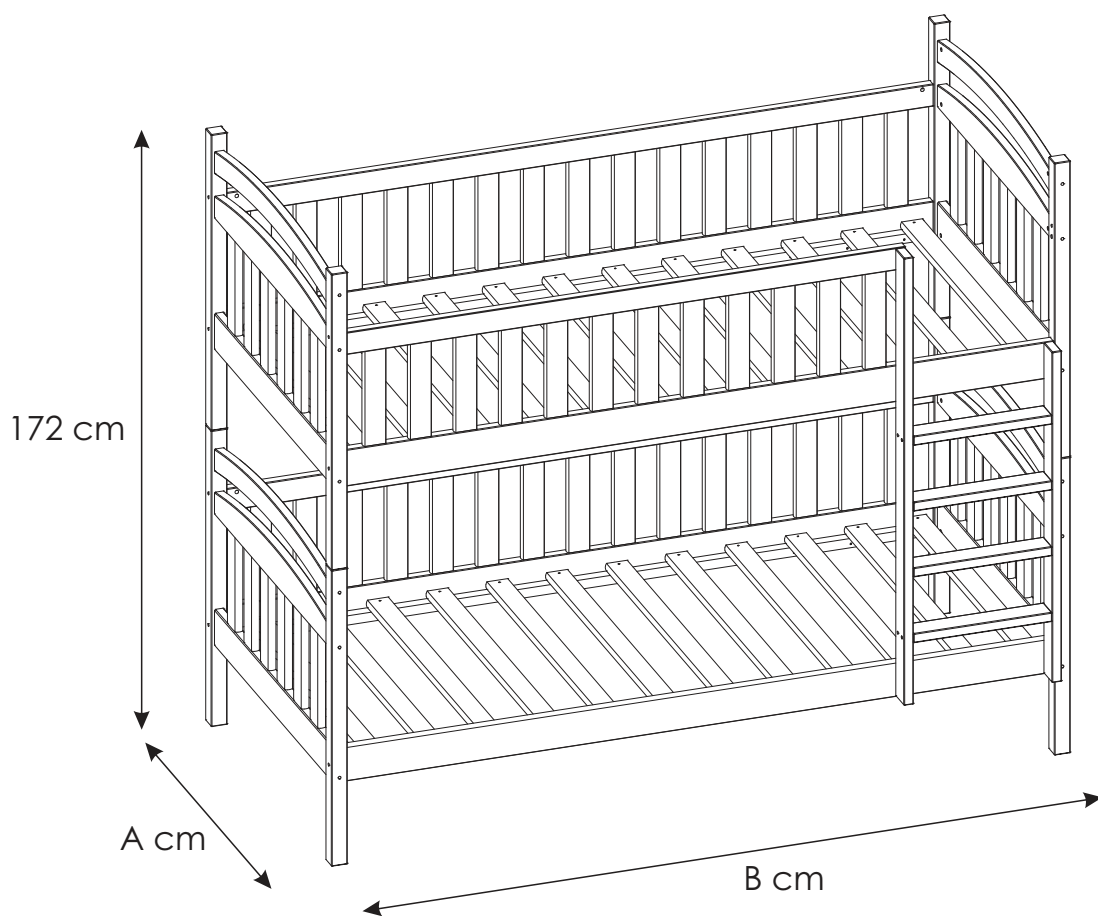
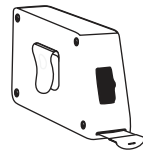
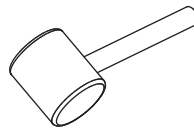
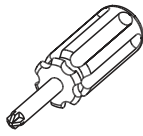
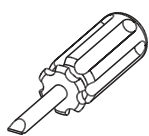
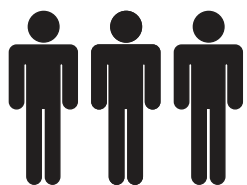
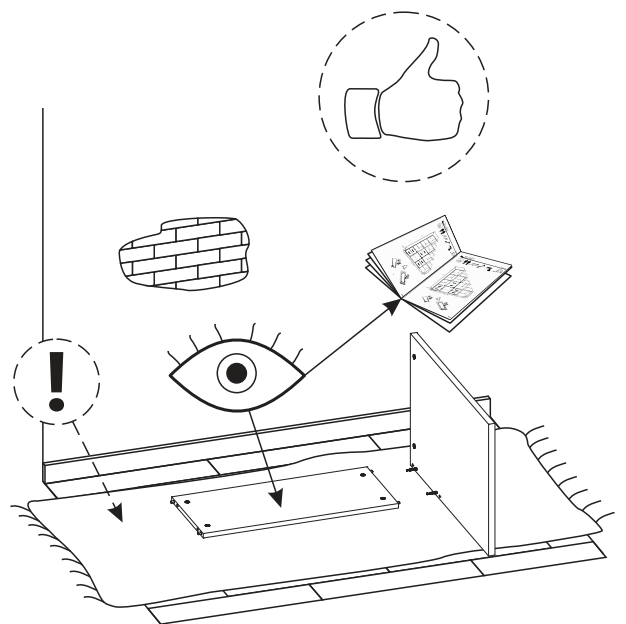
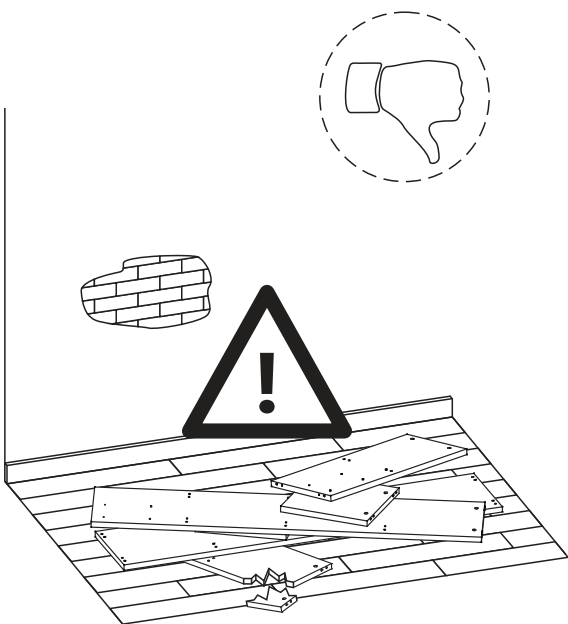
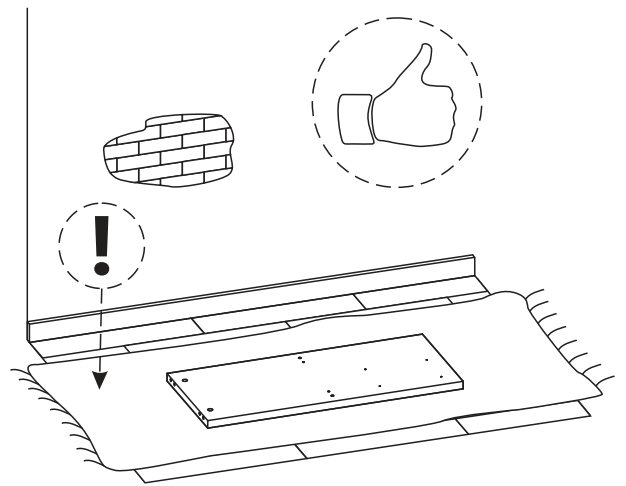
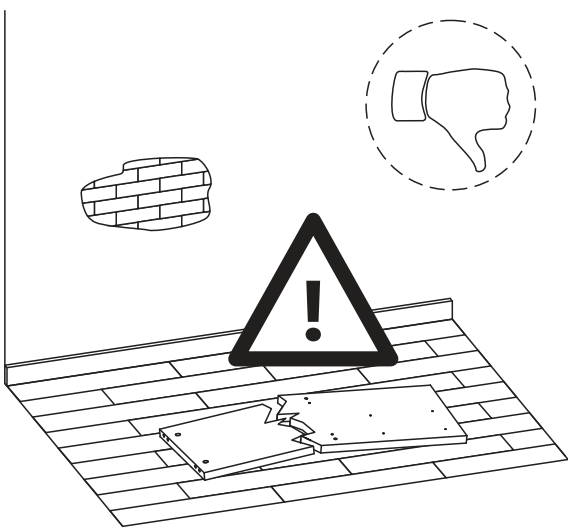
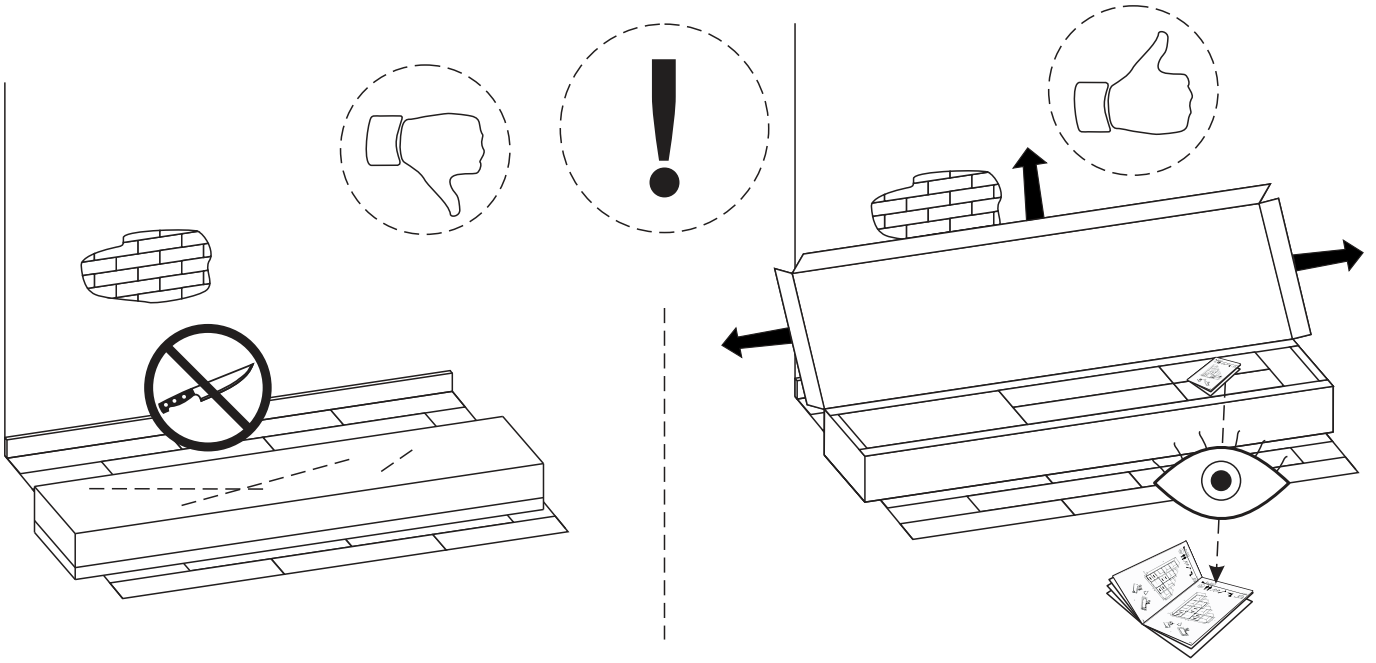
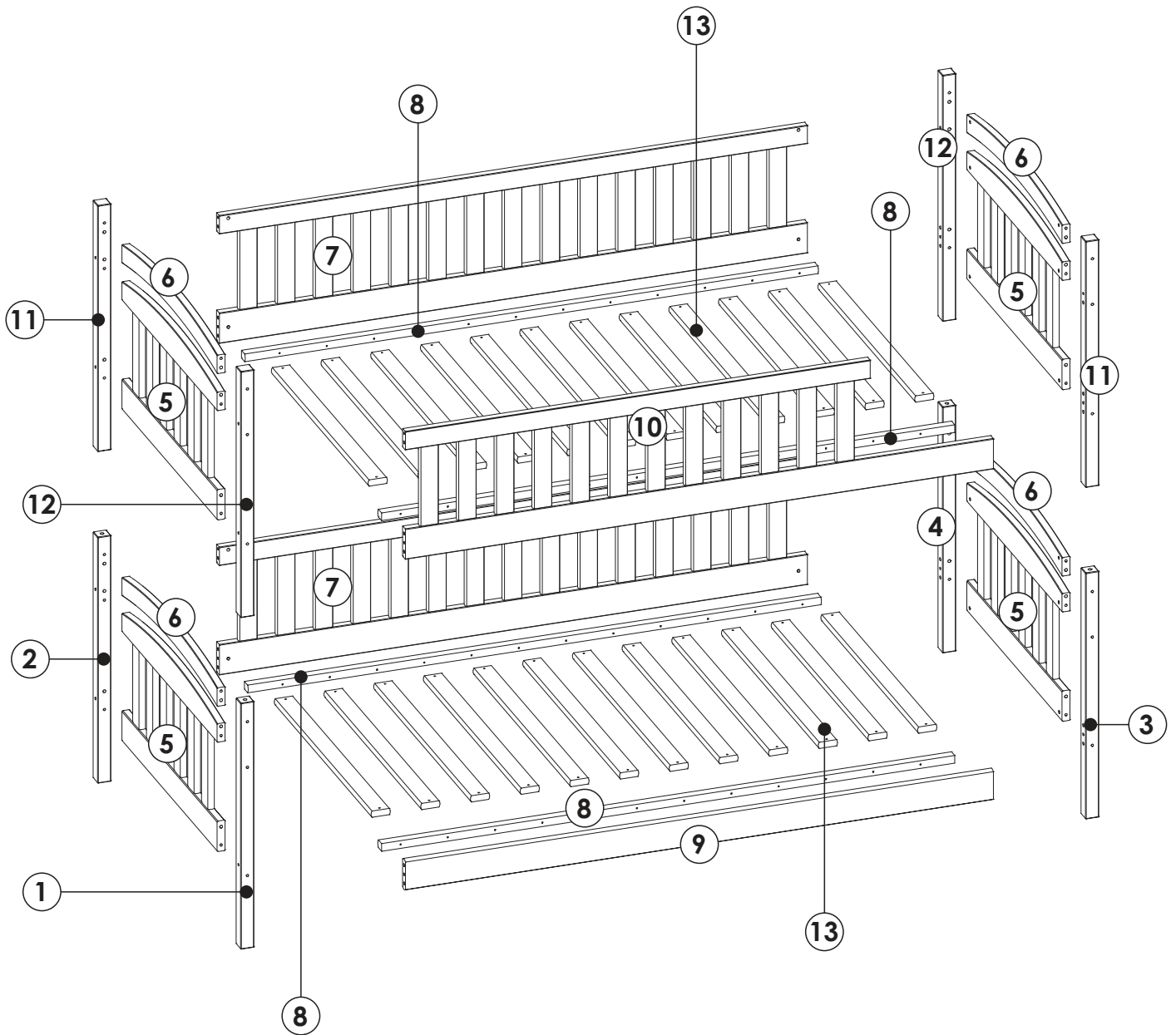
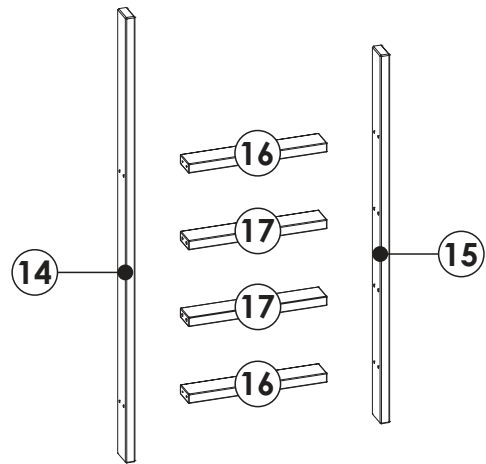


MICHAŚ





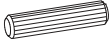

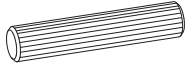





MICHAŚ




MICHAŚ


DPL 1	864	45	45	x1	MNDPL_00730
DTL 2	864	45	45	x1	MNDTL_00690
DPP 3	864	45	45	x1	MNDPP_00740
DTP 4	864	45	45	x1	MNDTP_00710
PBB 5	685, 785, 885	491	27	x4	PS_00470 DP_00480 DB_00610
DB 6	685, 785, 885	107	27	x4	DB_00600
PDT 7	1390, 1590, 1690, 1790, 1890, 1990	449	27	x2	PS_00470 DPDC_00670 DPDC_00680
LS 8	1340, 1540, 1640, 1740, 1840, 1940	35	27	x4	LS_00160
DN 9	1390, 1590, 1690, 1790, 1890, 1990	107	27	x1	DN_00110
PDP 10	1390, 1590, 1690, 1790, 1890, 1990	449	27	x1	PS_00470 DPDD_00640 DPDC_00660
GTL 11	864	45	45	x2	MNGTL_00700
GTP 12	864	45	45	x2	MNGTP_00720
P4S 14	1305	65	27	x1	DDP4S_00630
P4S 15	965	65	27	x1	DDP4S_00620
DSS 16	390	65	27	x2	DSS_00210
DSK 17	390	65	27	x2	DSK_00220

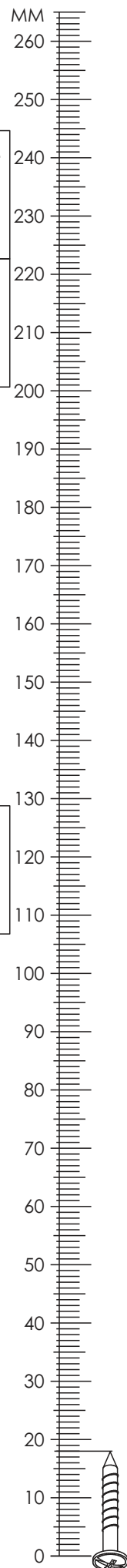
MICHAŚ

<p>A1 akc_0001</p>  <p>8 x 35 mm</p> <p style="text-align: right;">x8</p>	<p>A2 akc_0002</p>  <p>10 x 40 mm</p> <p style="text-align: right;">x45</p>	<p>A3 akc_0003</p>  <p>12 x 60 mm</p> <p style="text-align: right;">x4</p>
<p>K1 akc_0004</p>  <p>6,4 x 50 mm</p> <p style="text-align: right;">x8</p>	<p>M akc_0005</p>  <p style="text-align: right;">x1</p>	<p>N1 akc_0006</p>  <p>6 x 80 mm</p> <p style="text-align: right;">x37</p>
<p>S1 akc_0008</p>  <p>10 x 16 mm</p> <p style="text-align: right;">x37</p>	<p>W4 akc_0012</p>  <p>4 x 60 mm</p> <p style="text-align: right;">x5</p>	

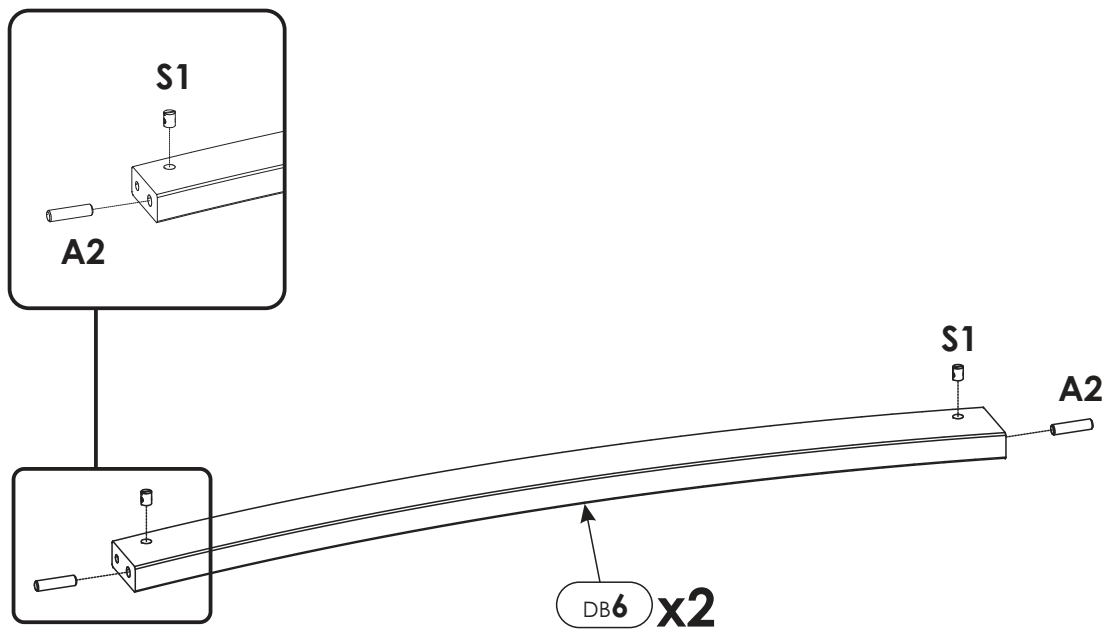
----- **OPTION** -----

<p>W1 akc_0009</p>  <p>3,5 x 40 mm</p> <p style="text-align: right;">40 < x < 60</p>

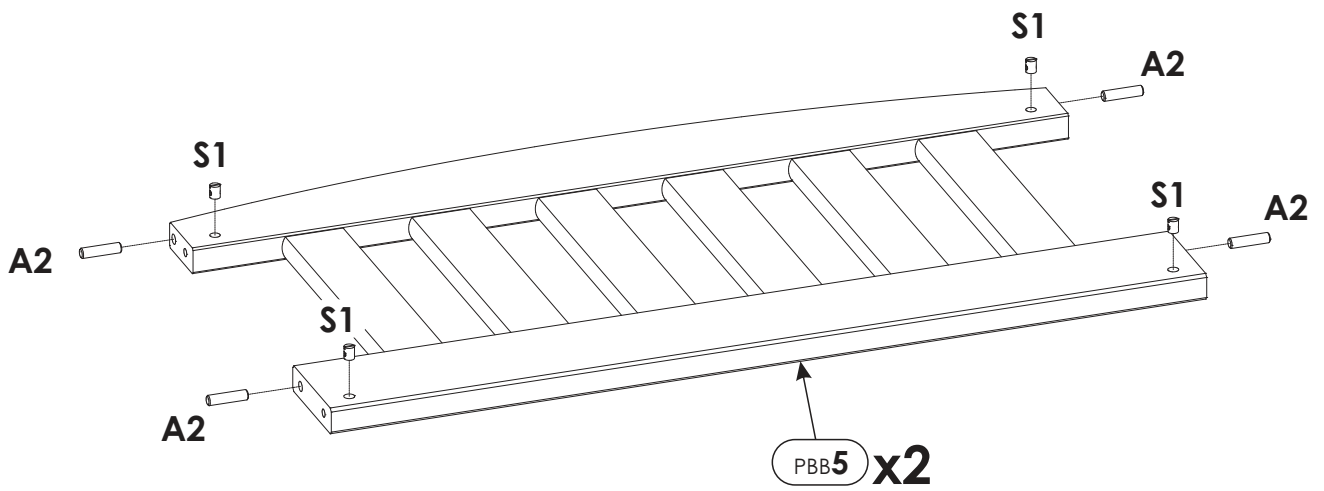
<p>W3 akc_0011</p>  <p>4 x 50 mm</p> <p style="text-align: right;">40 < x < 48</p>



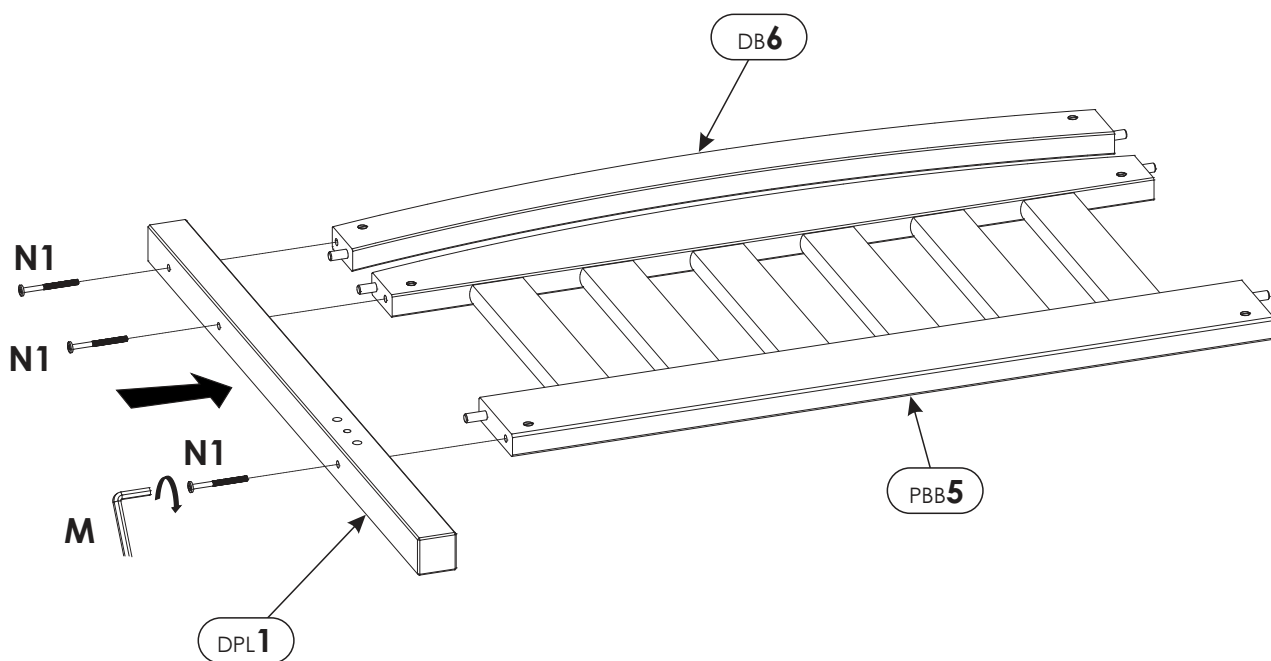
1.



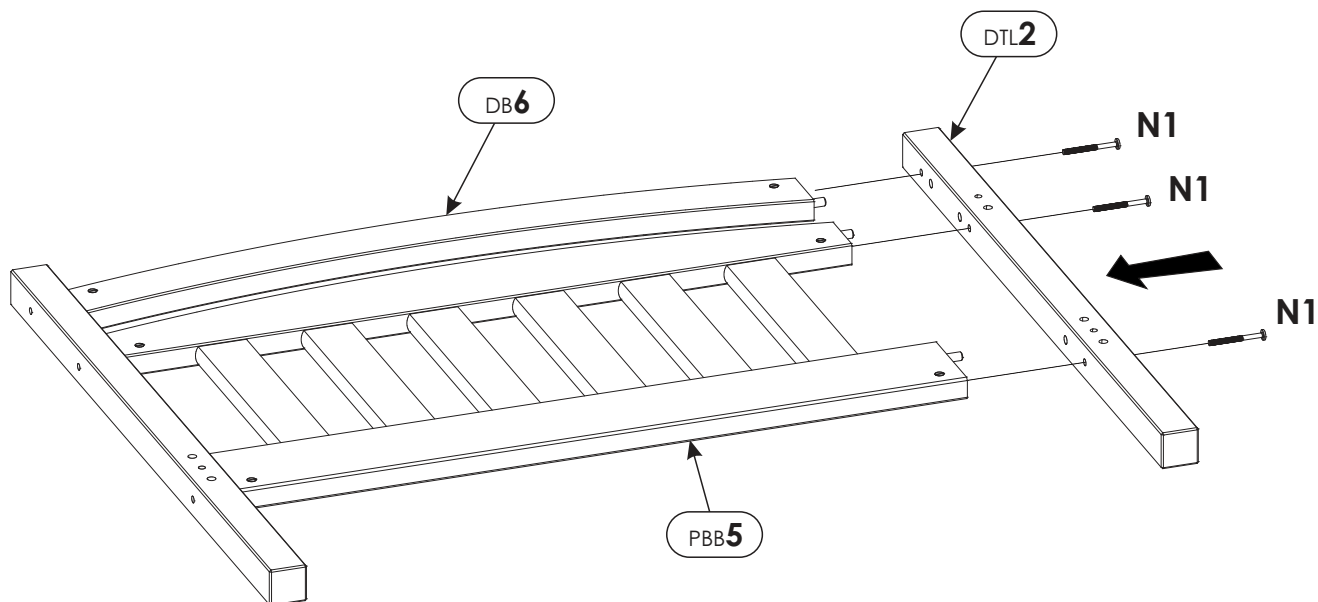
2.



3.

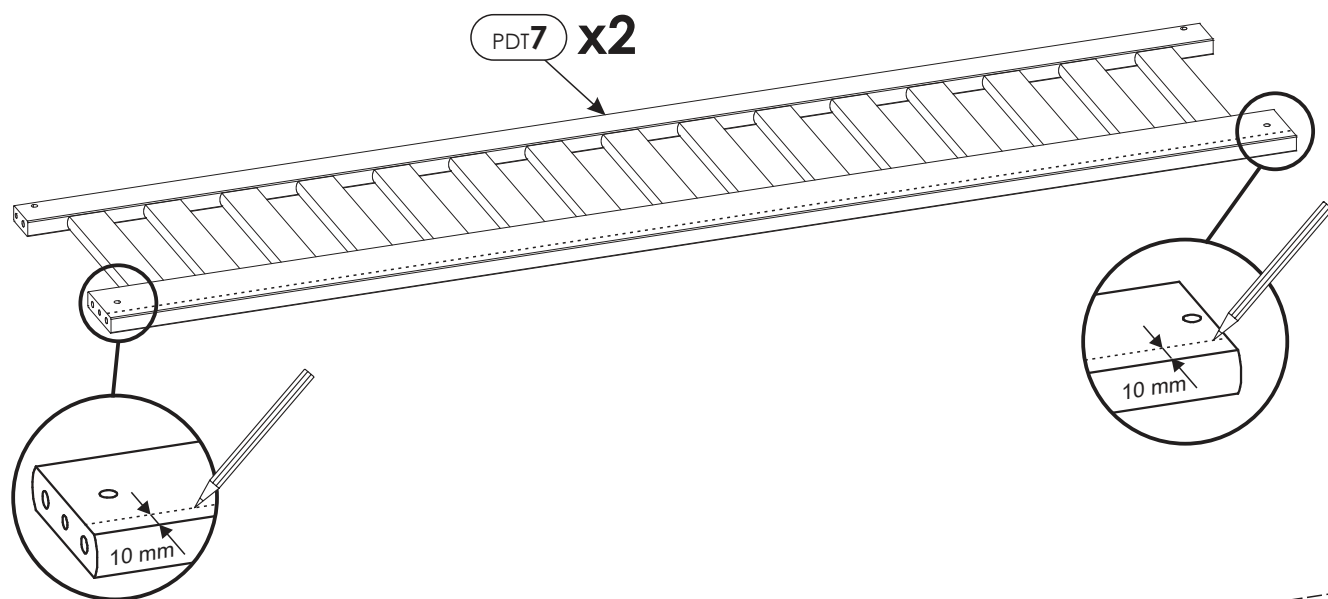


4.

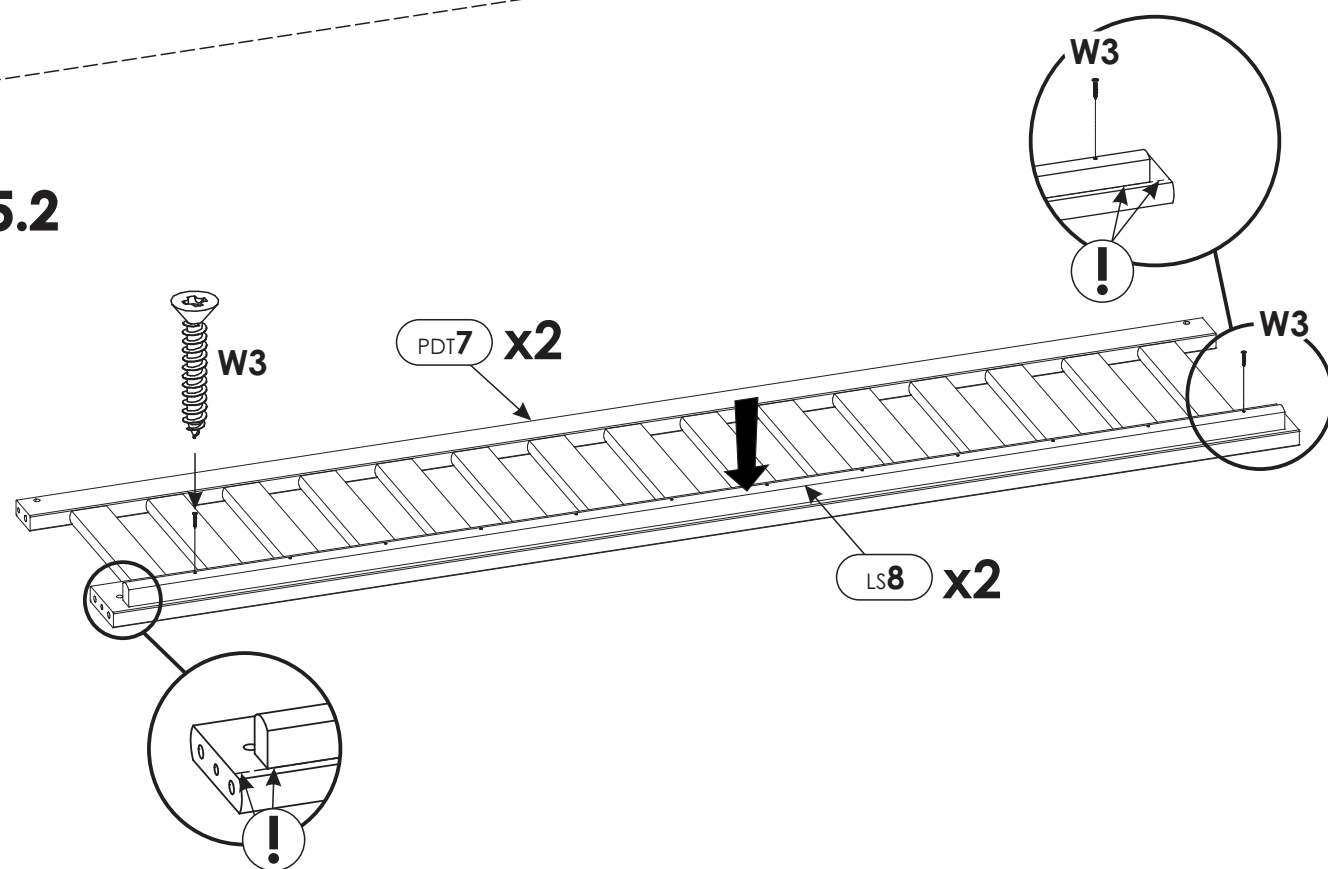


5.

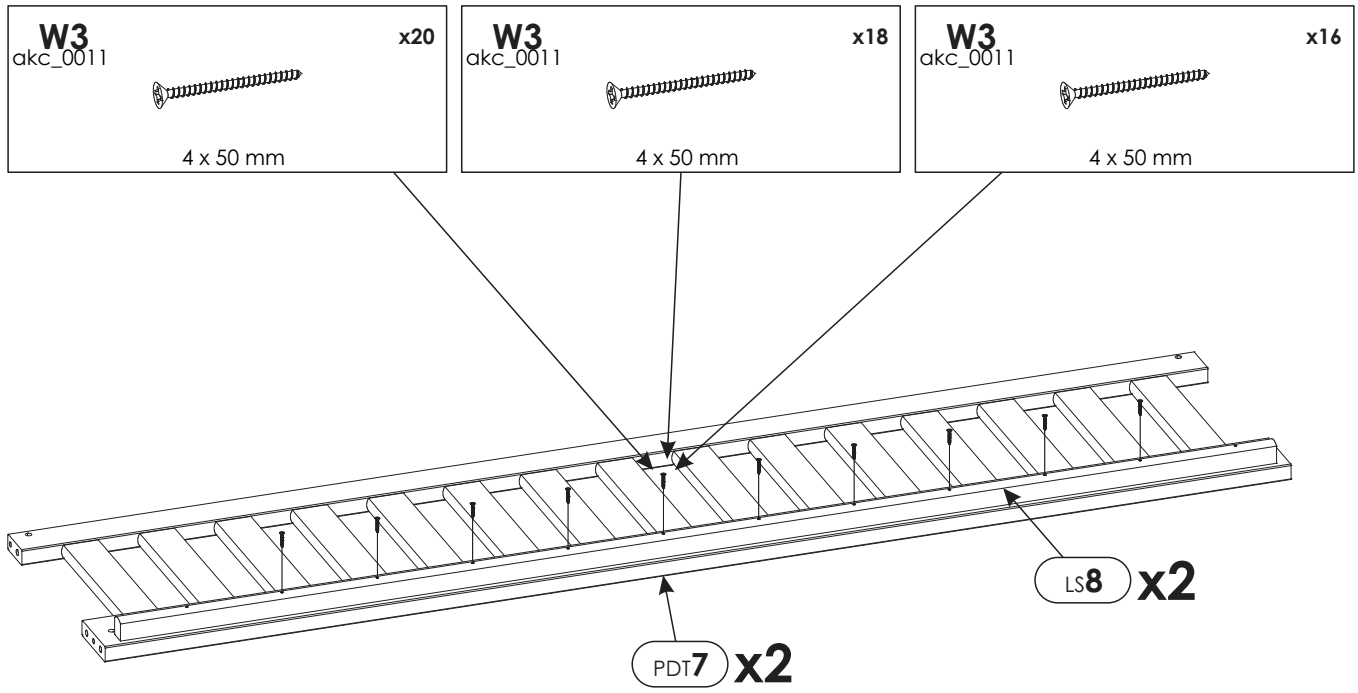
5.1



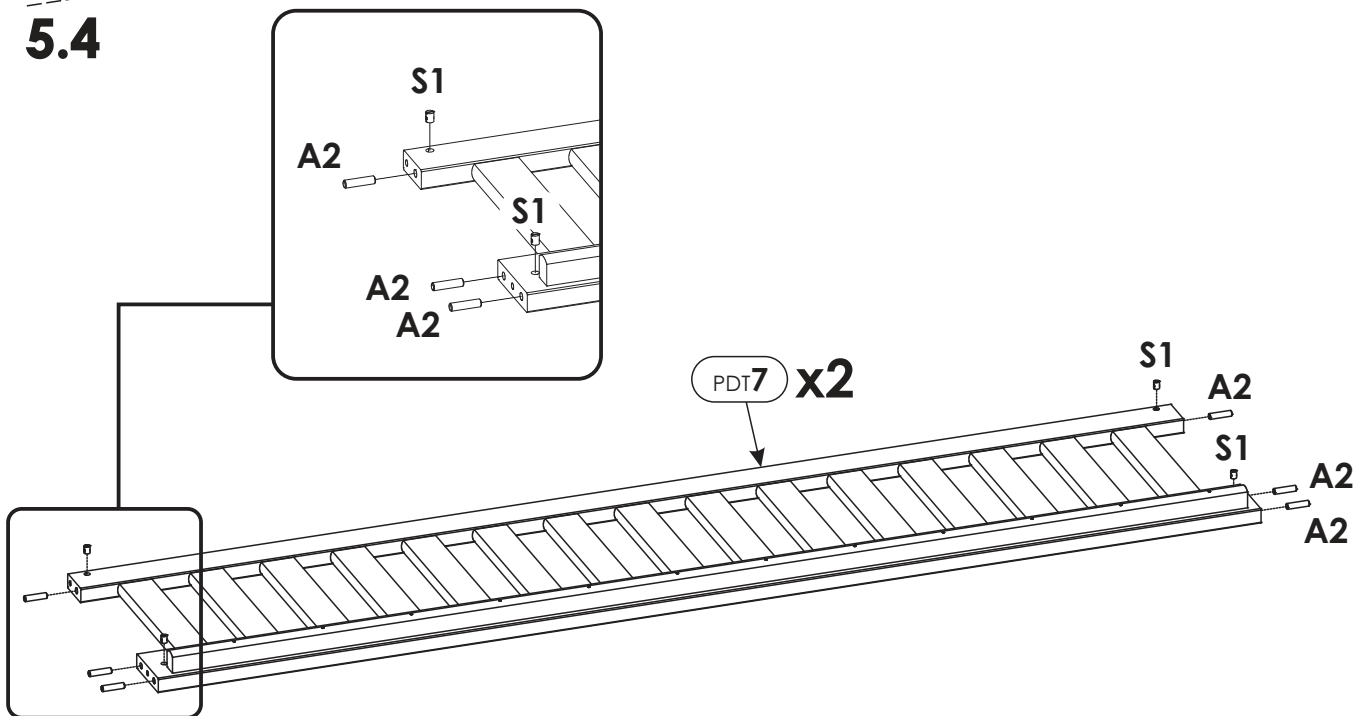
5.2



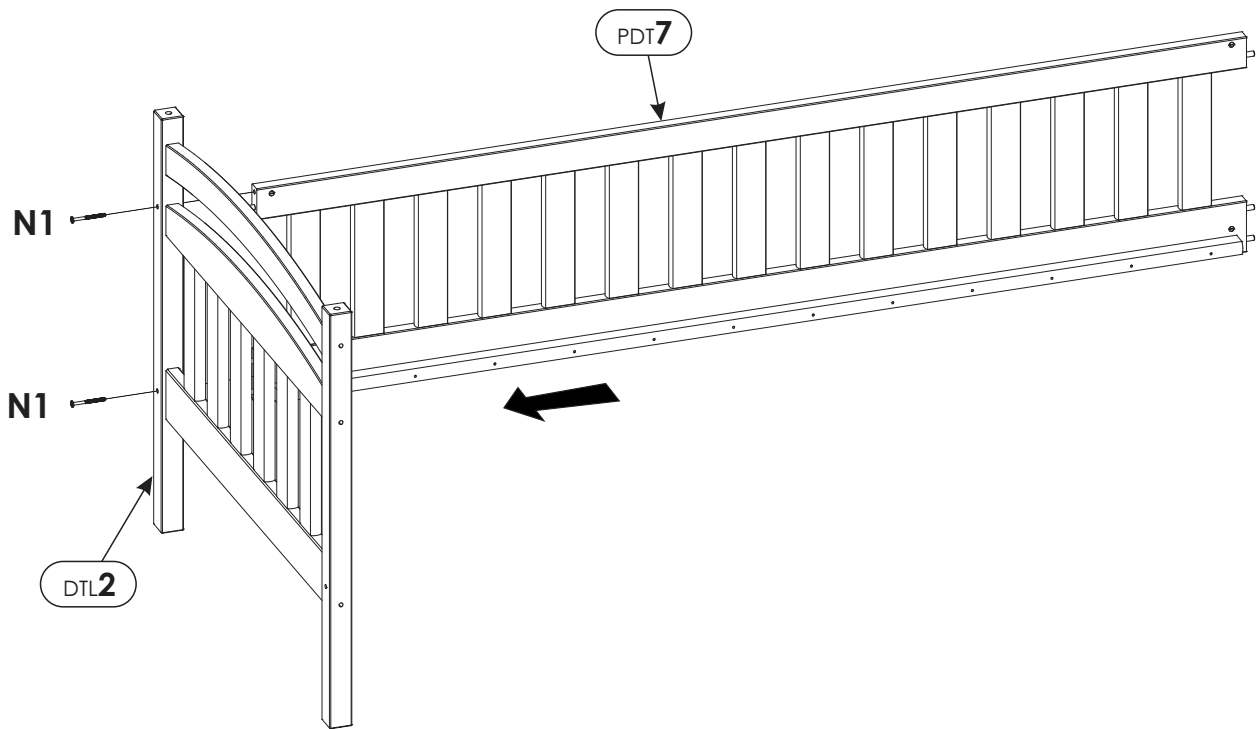

5.3



5.4

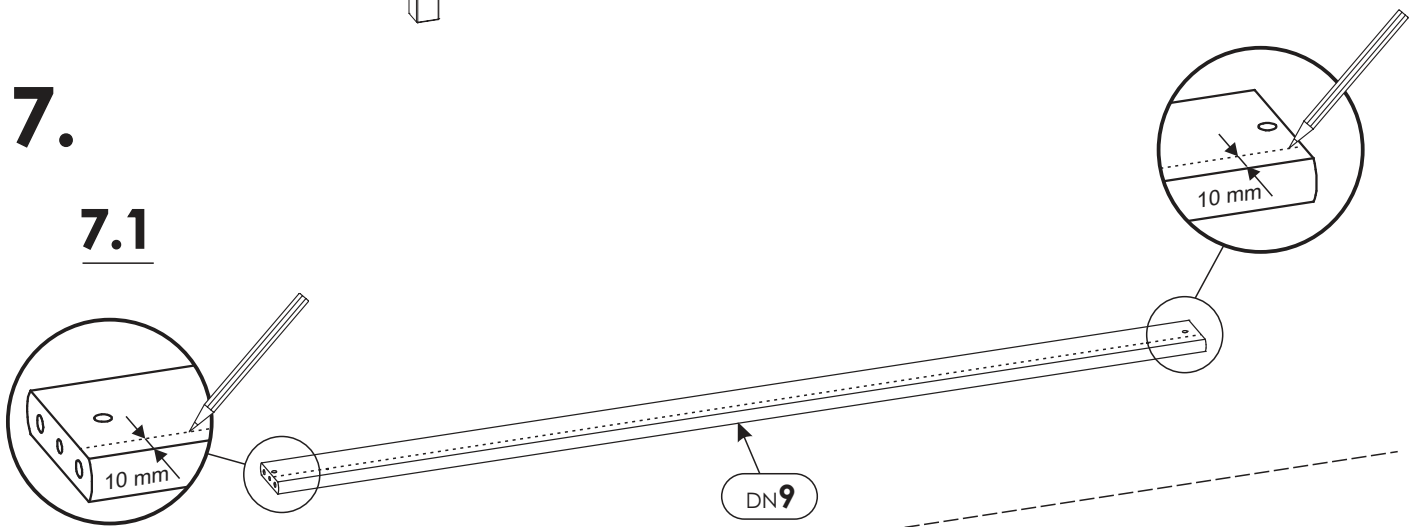


6.

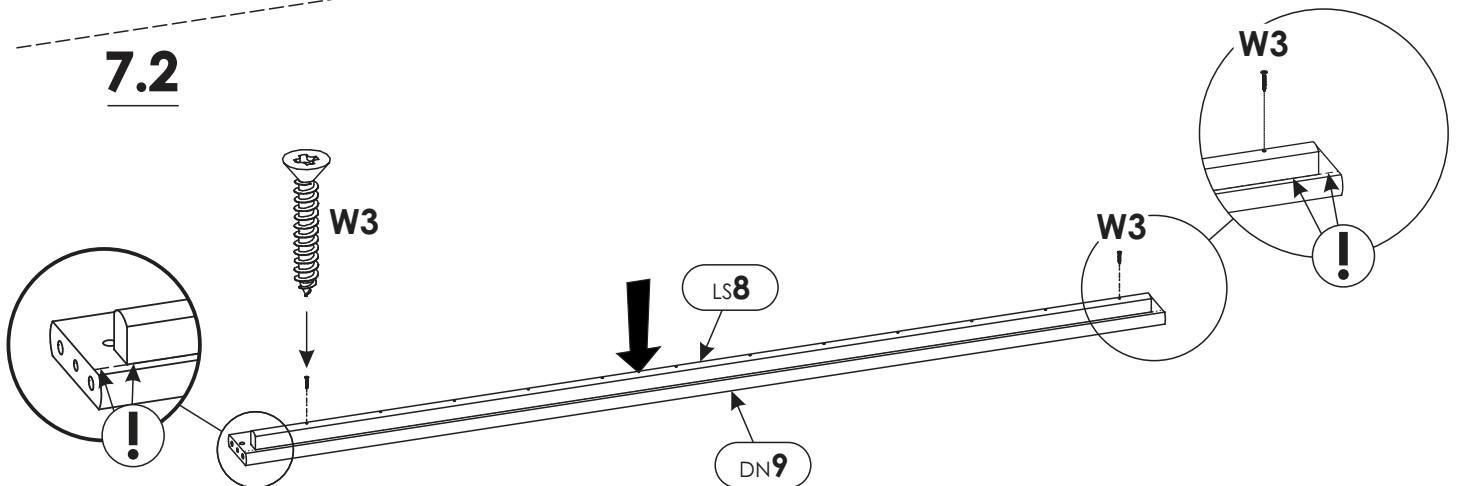


7.

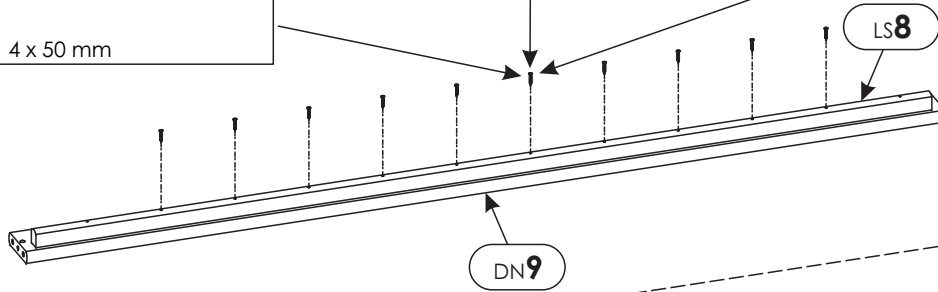
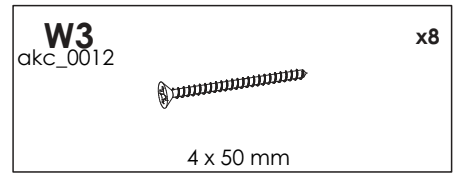
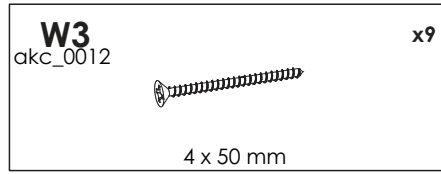
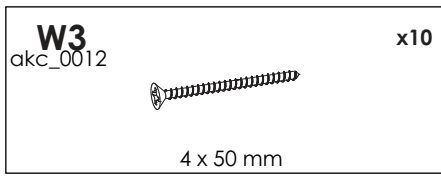
7.1



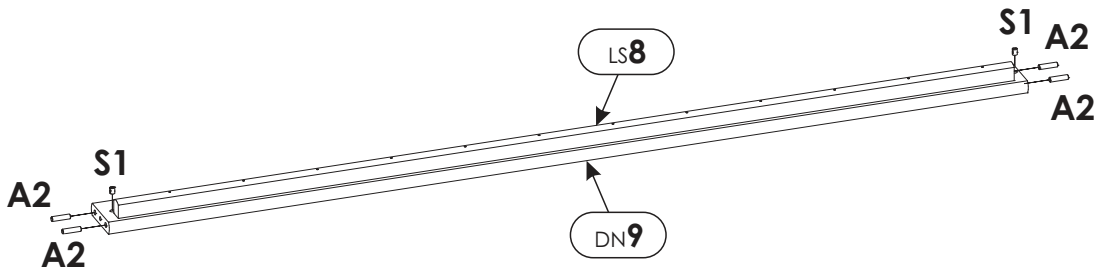
7.2



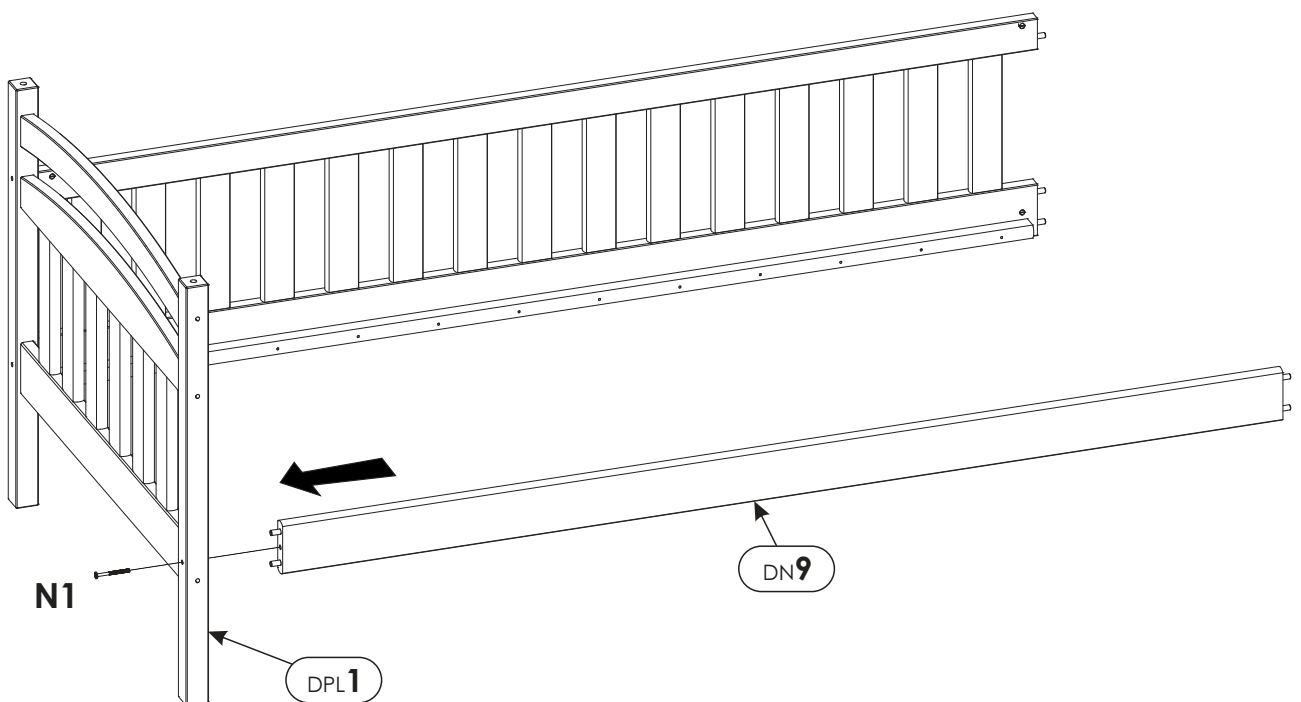
7.3



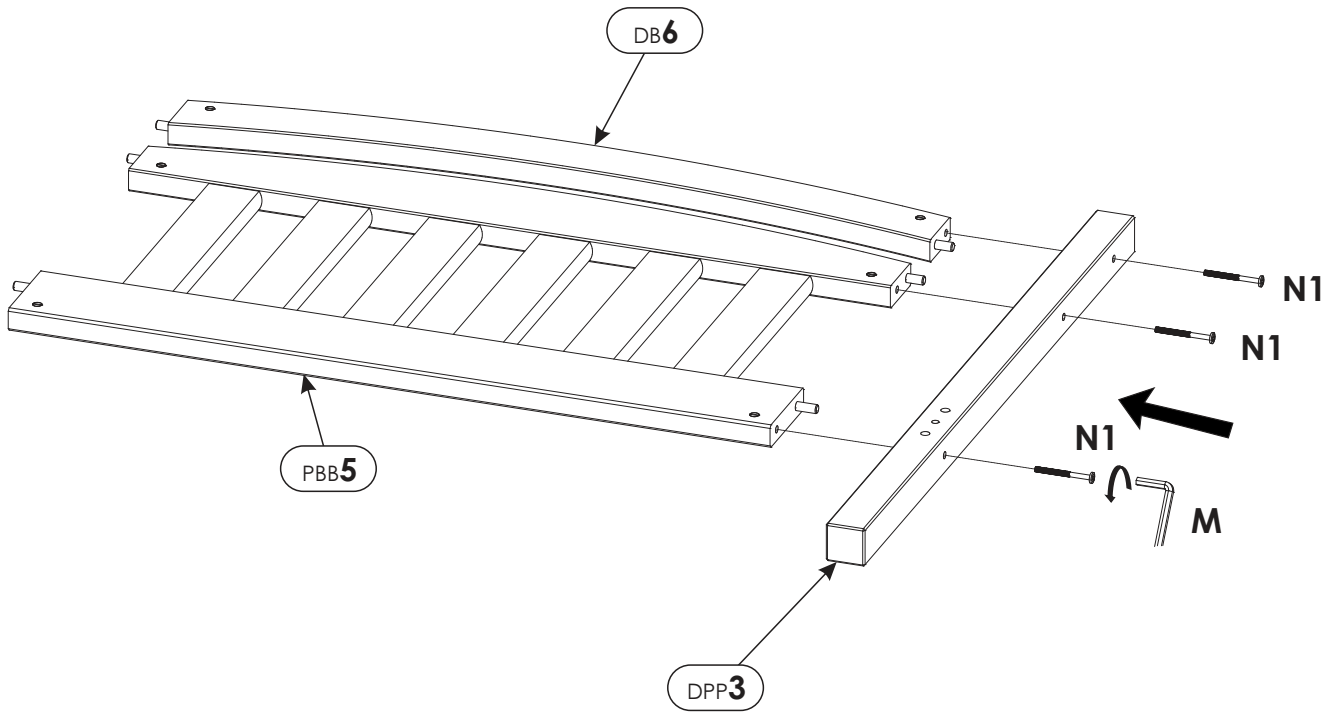
7.4



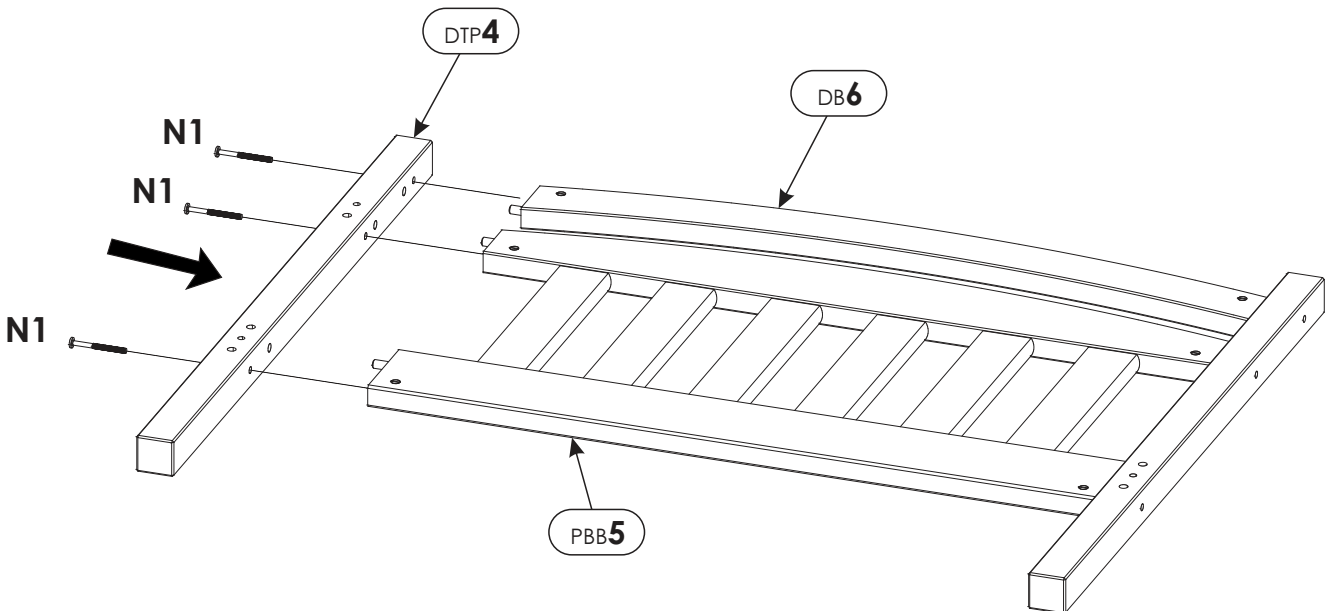
8.



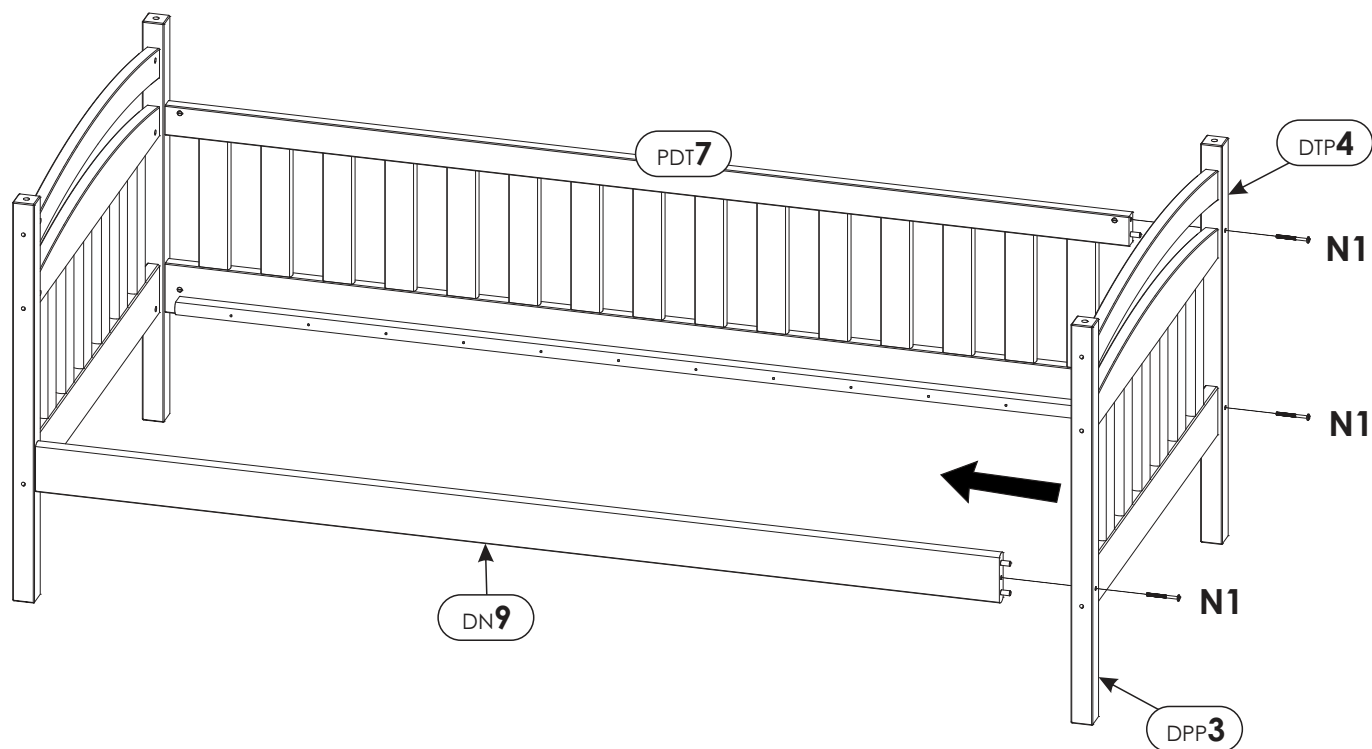
9.



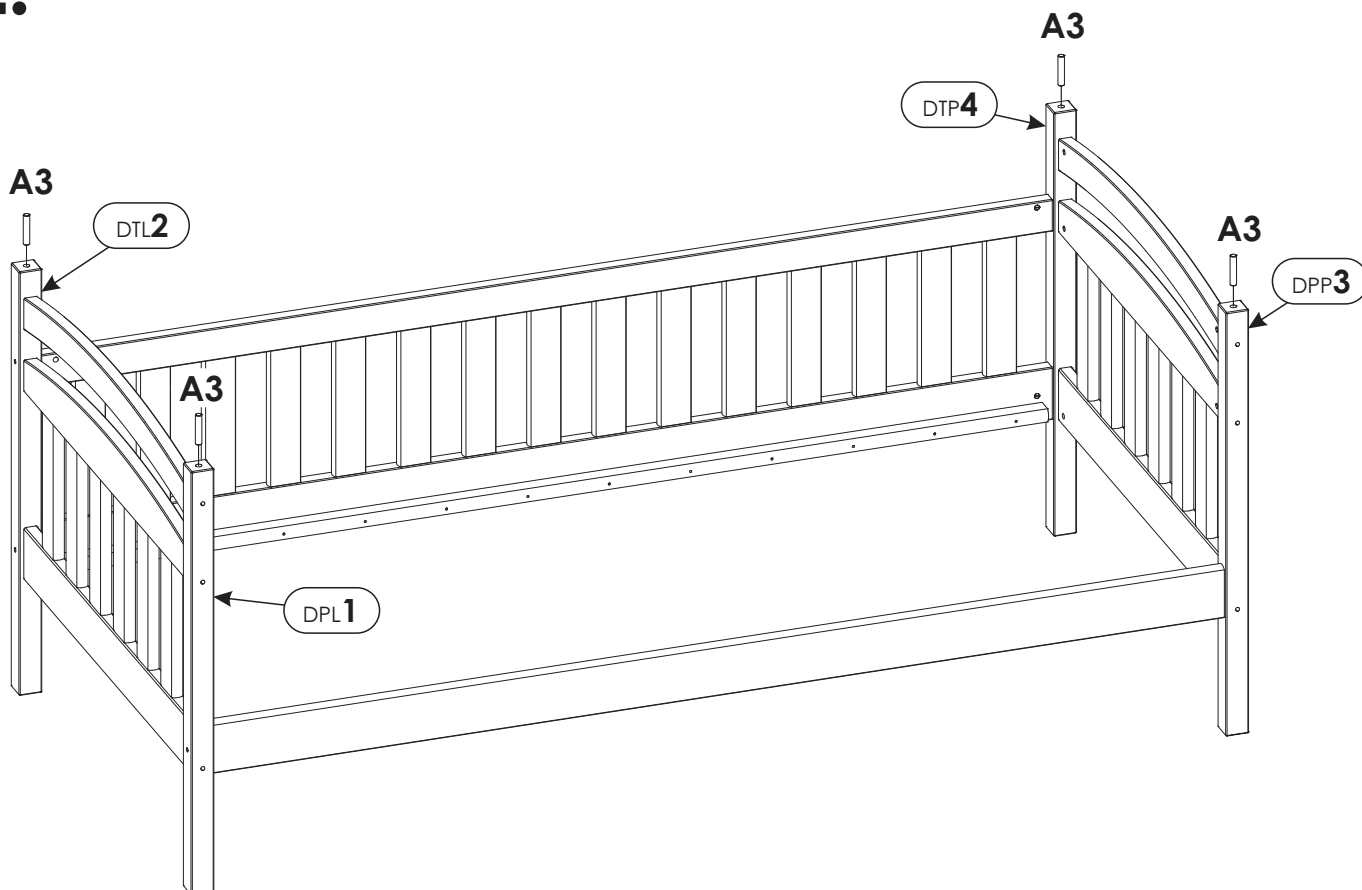
10.



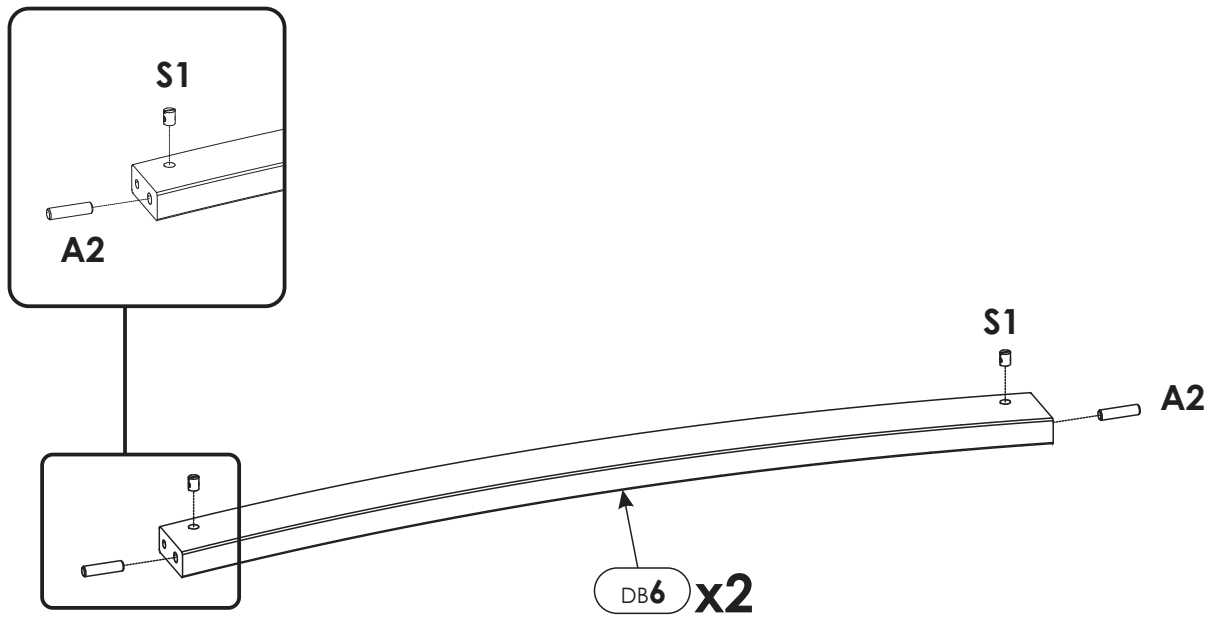
11.



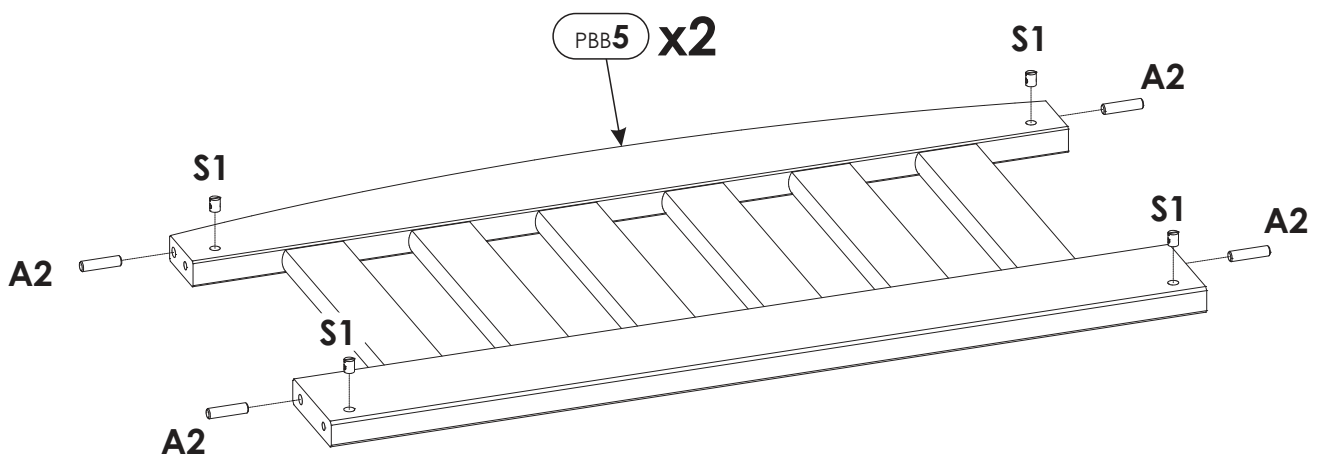
12.



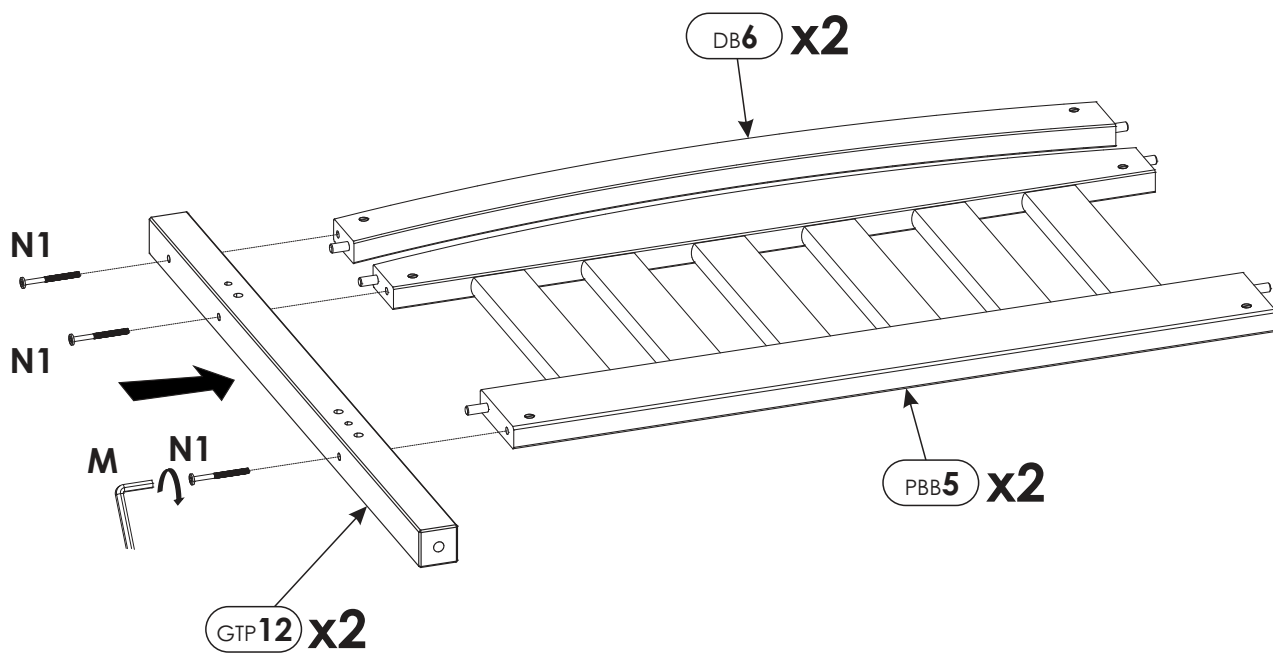
13.



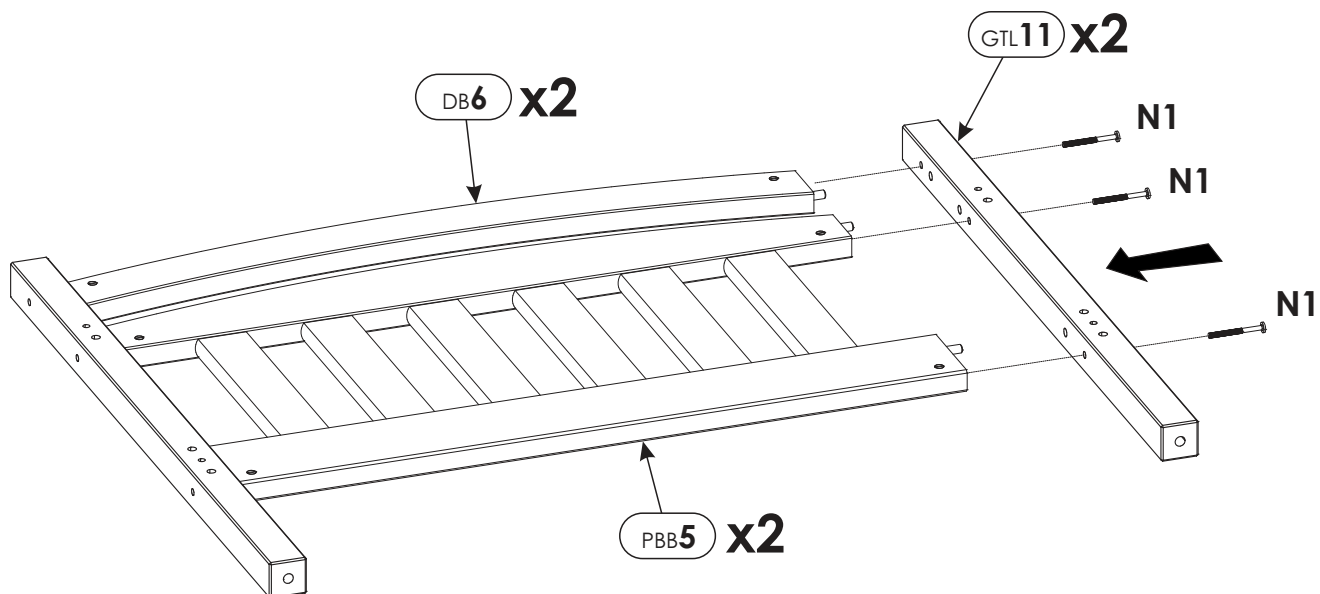
14.



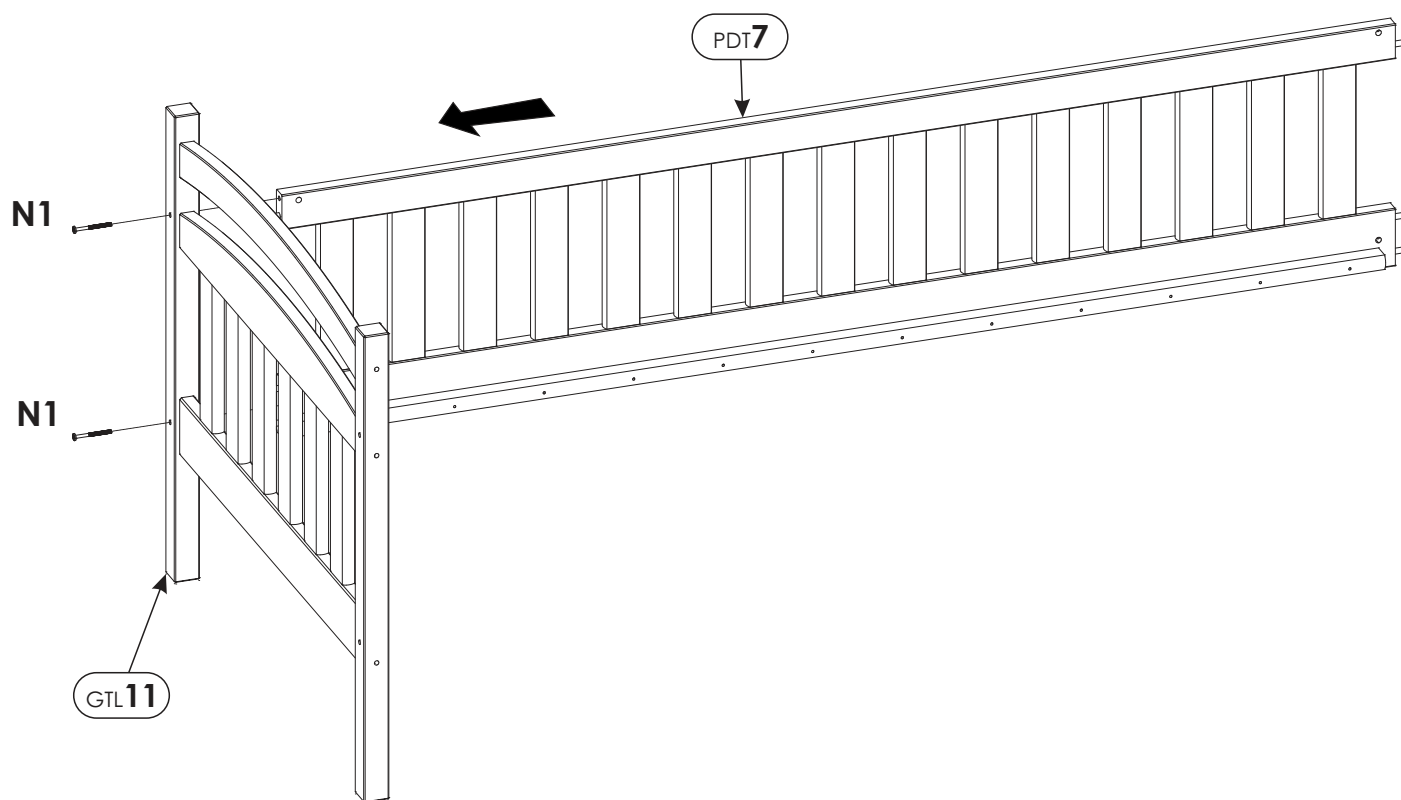
15.



16.

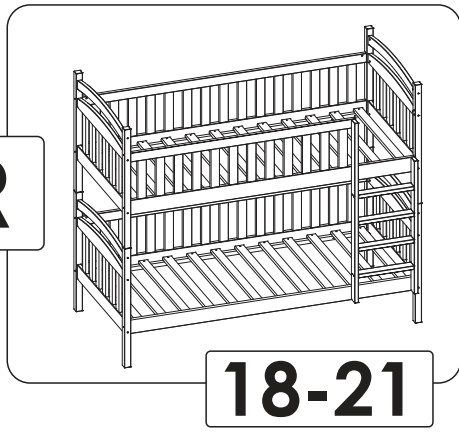


17.



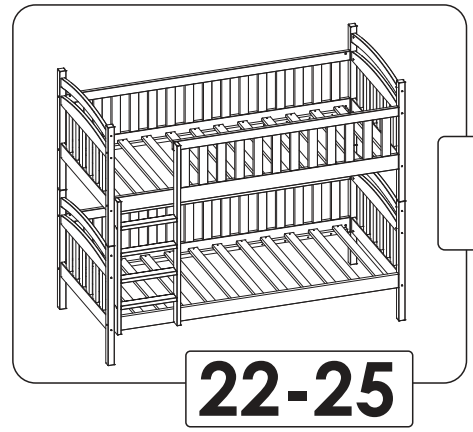
18.

R



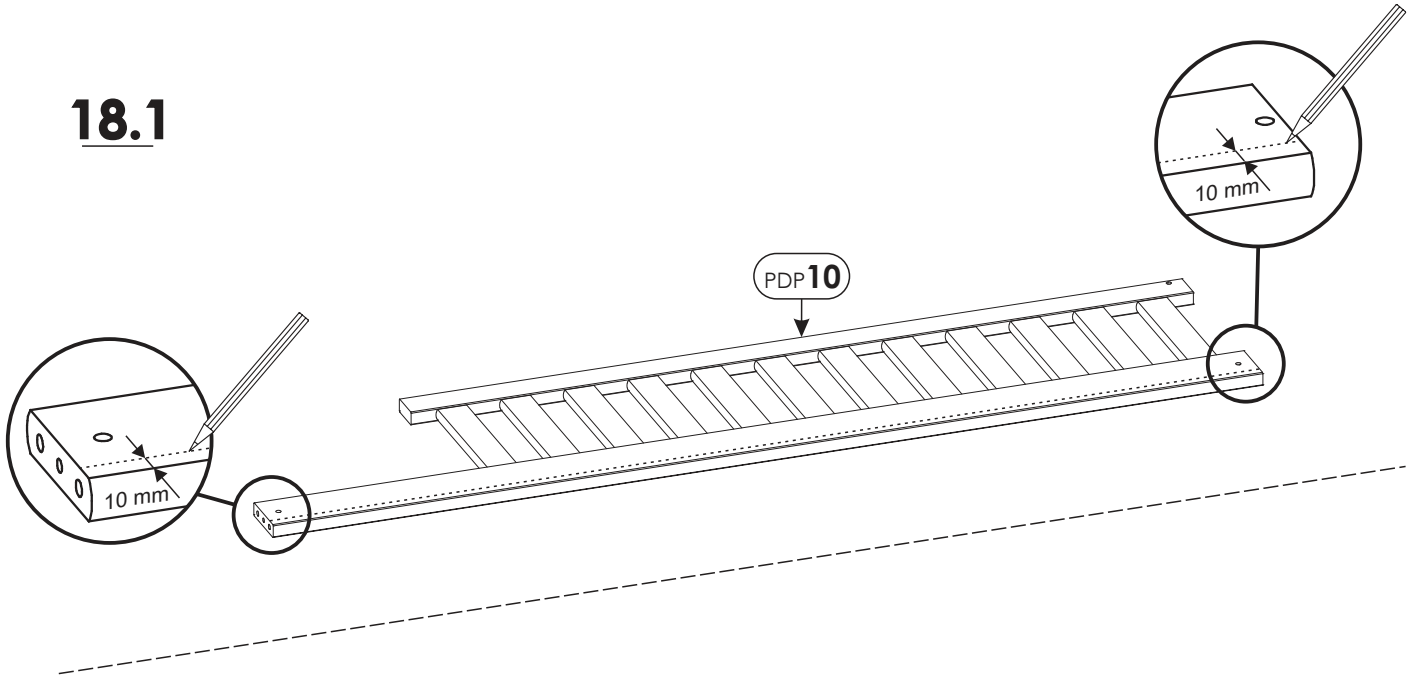
18-21

L

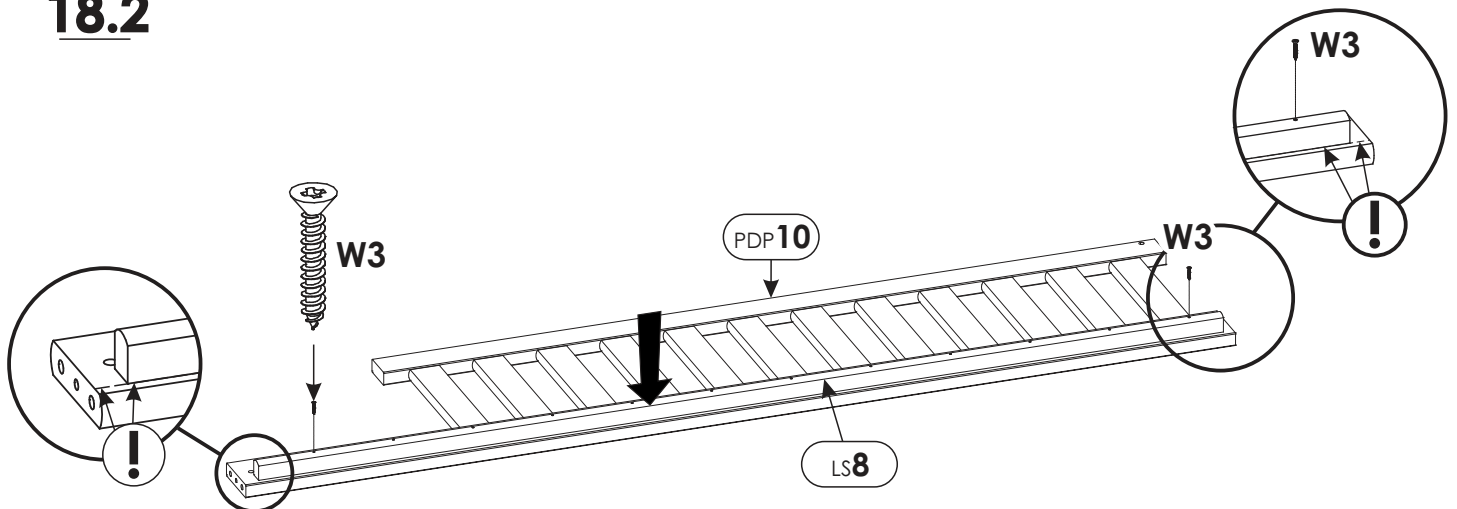


22-25

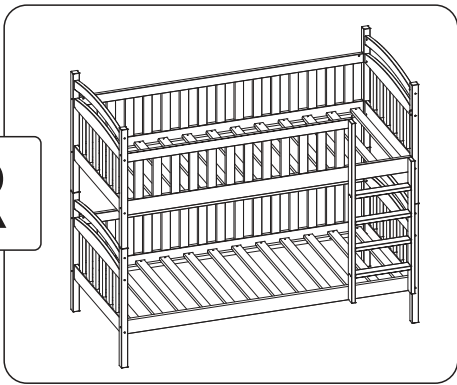
18.1



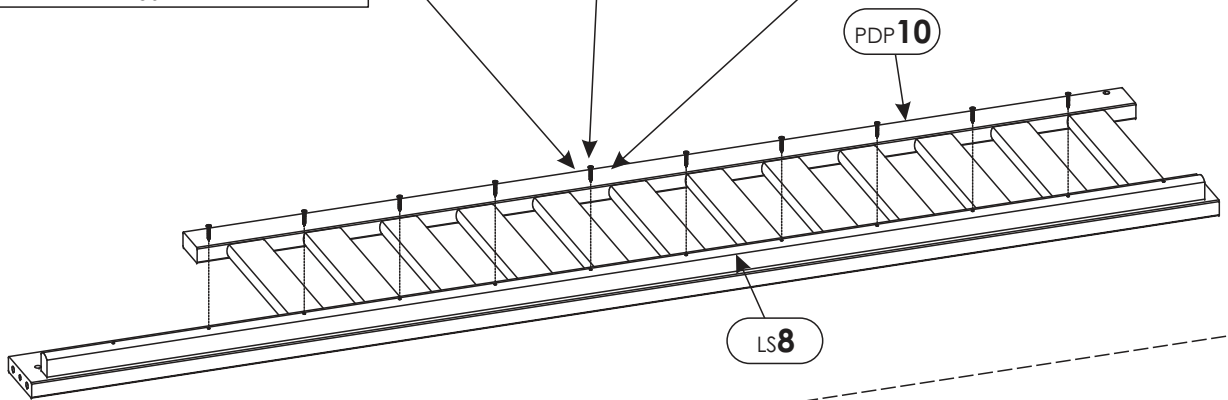
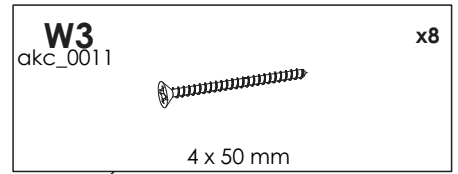
18.2



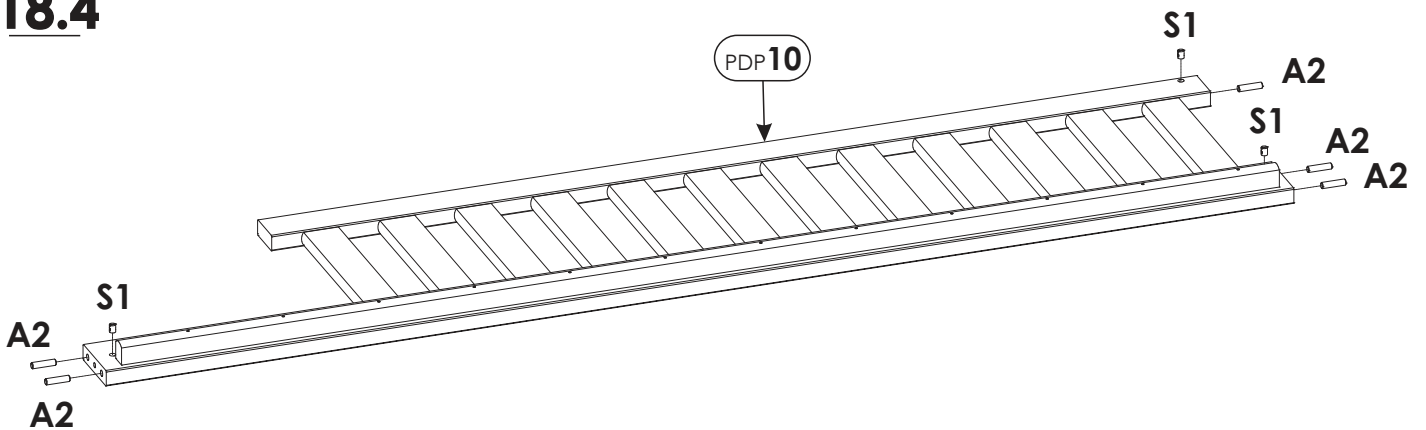
R



18.3



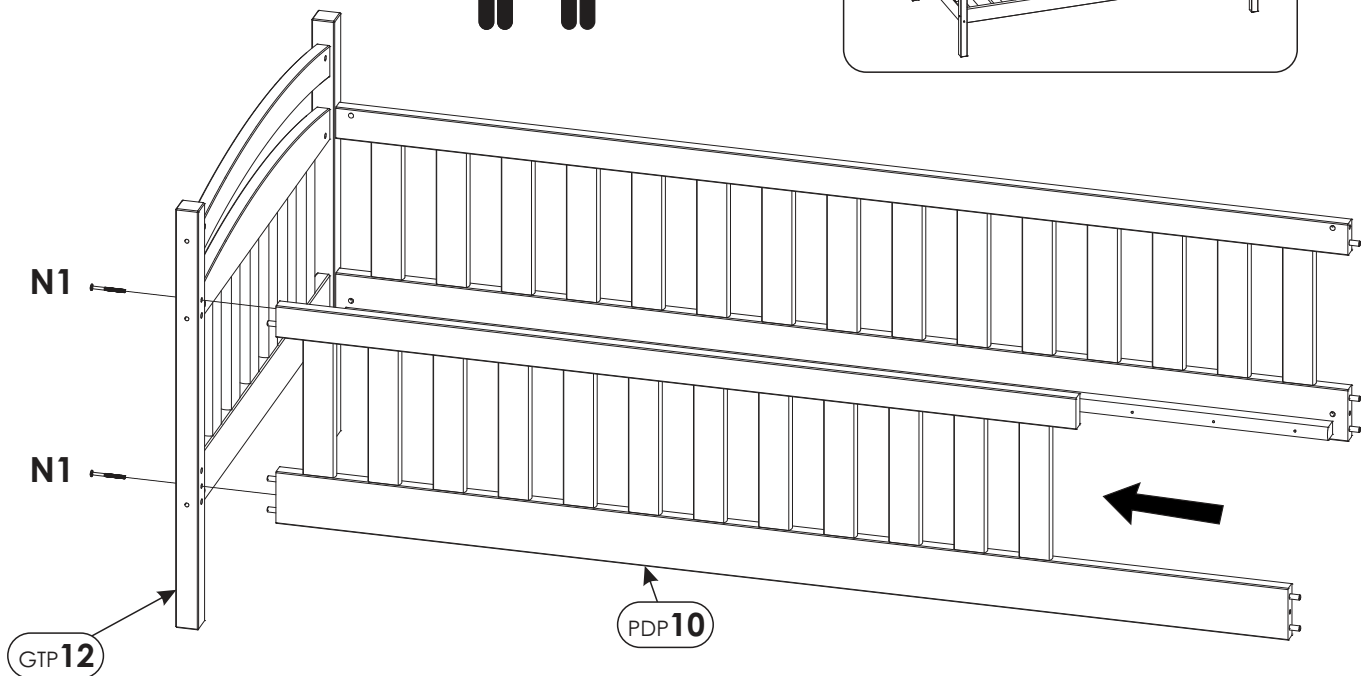
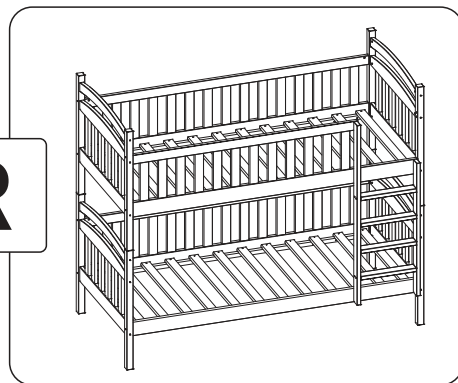
18.4



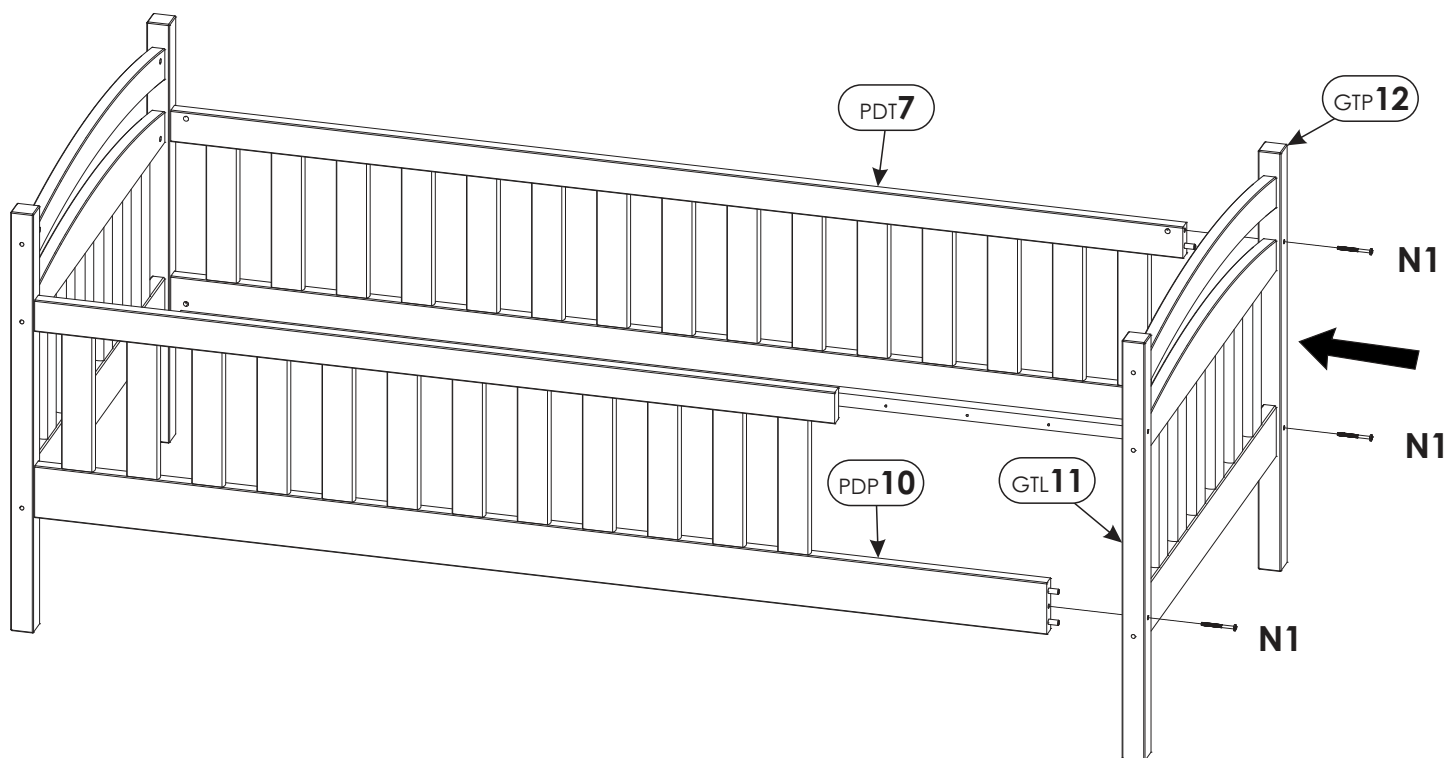
19.



R



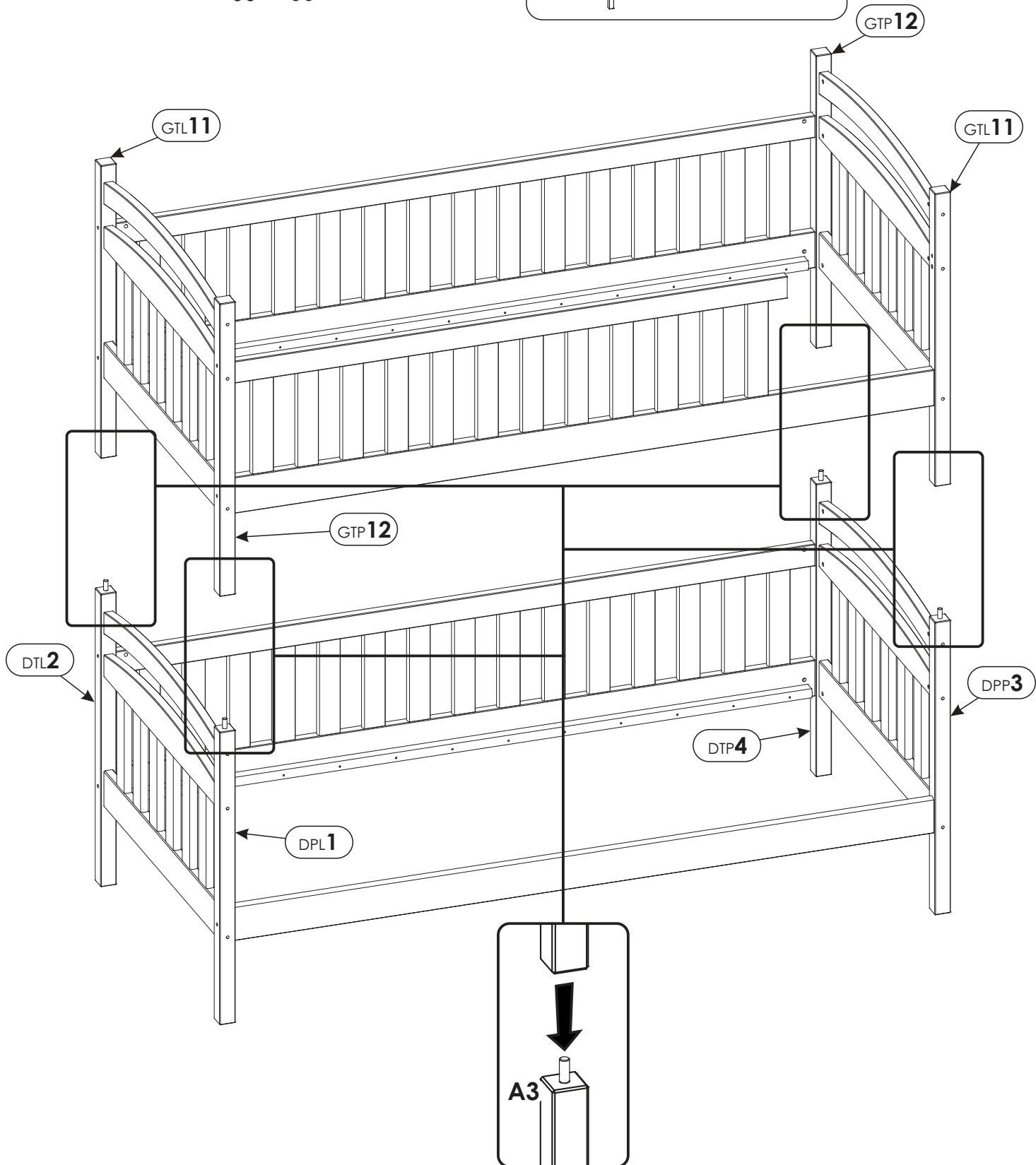
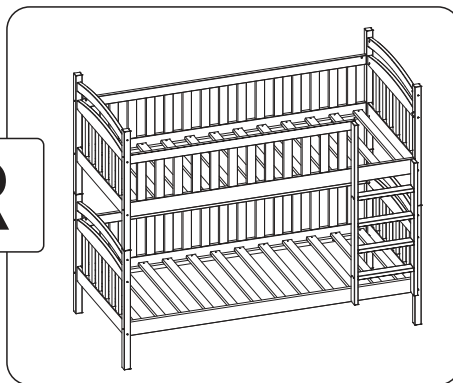
20.



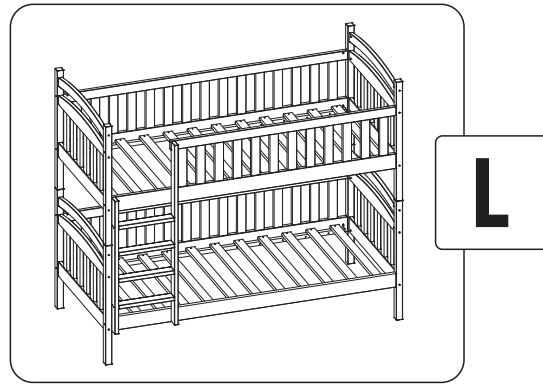
21.



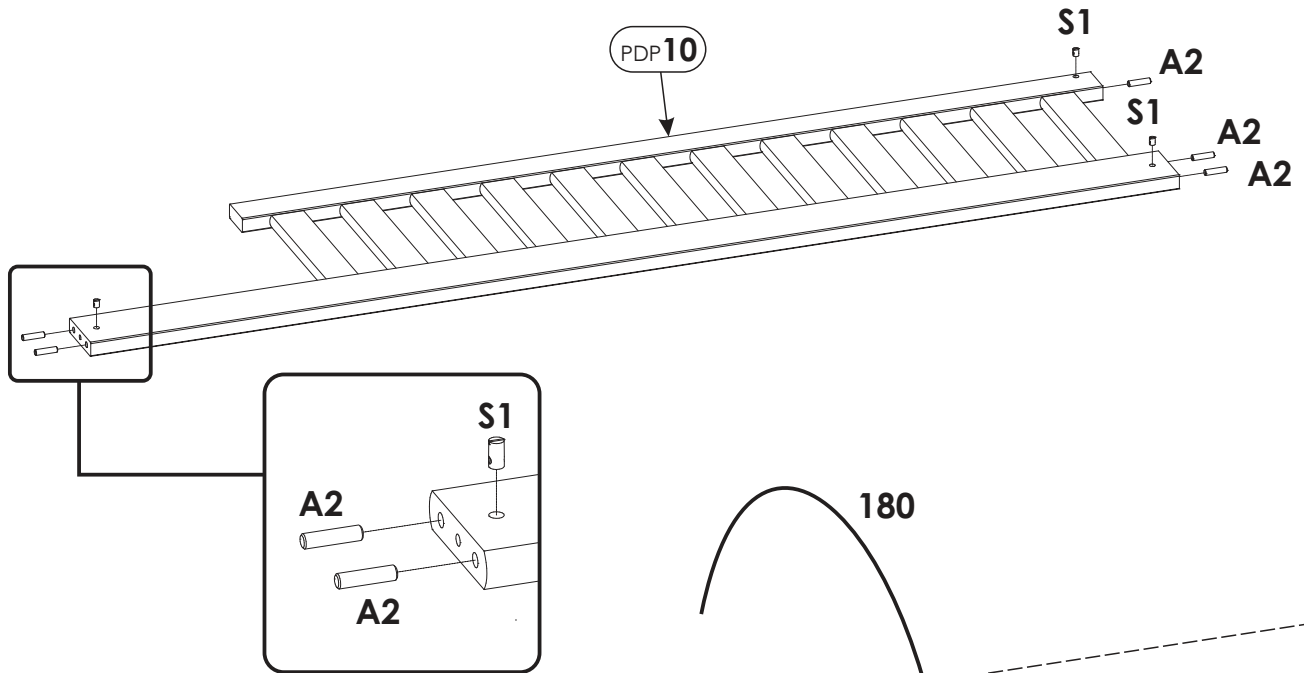
R



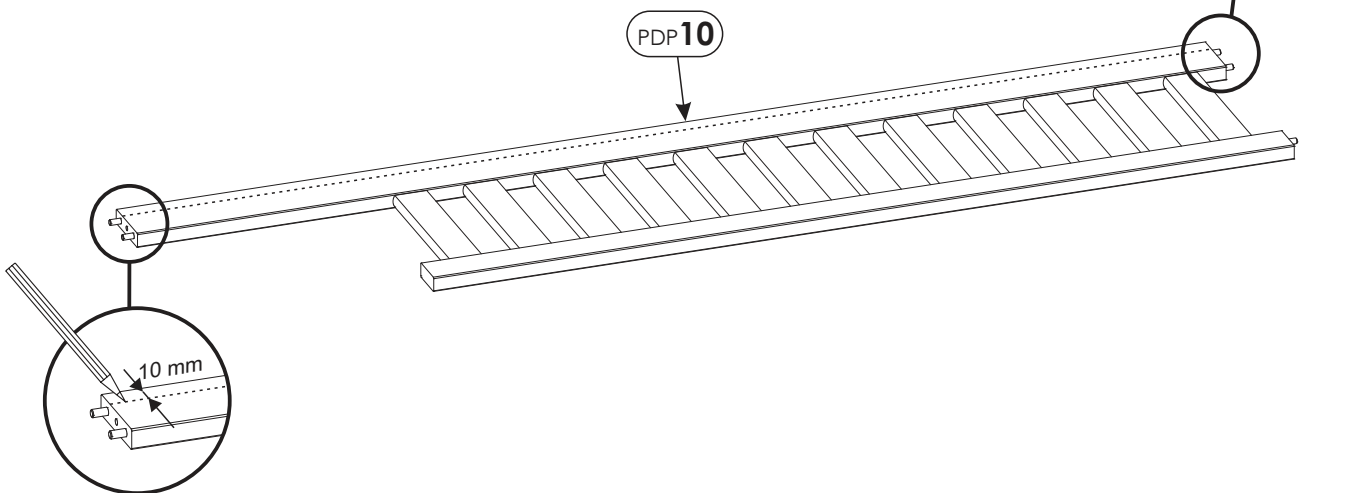
22.



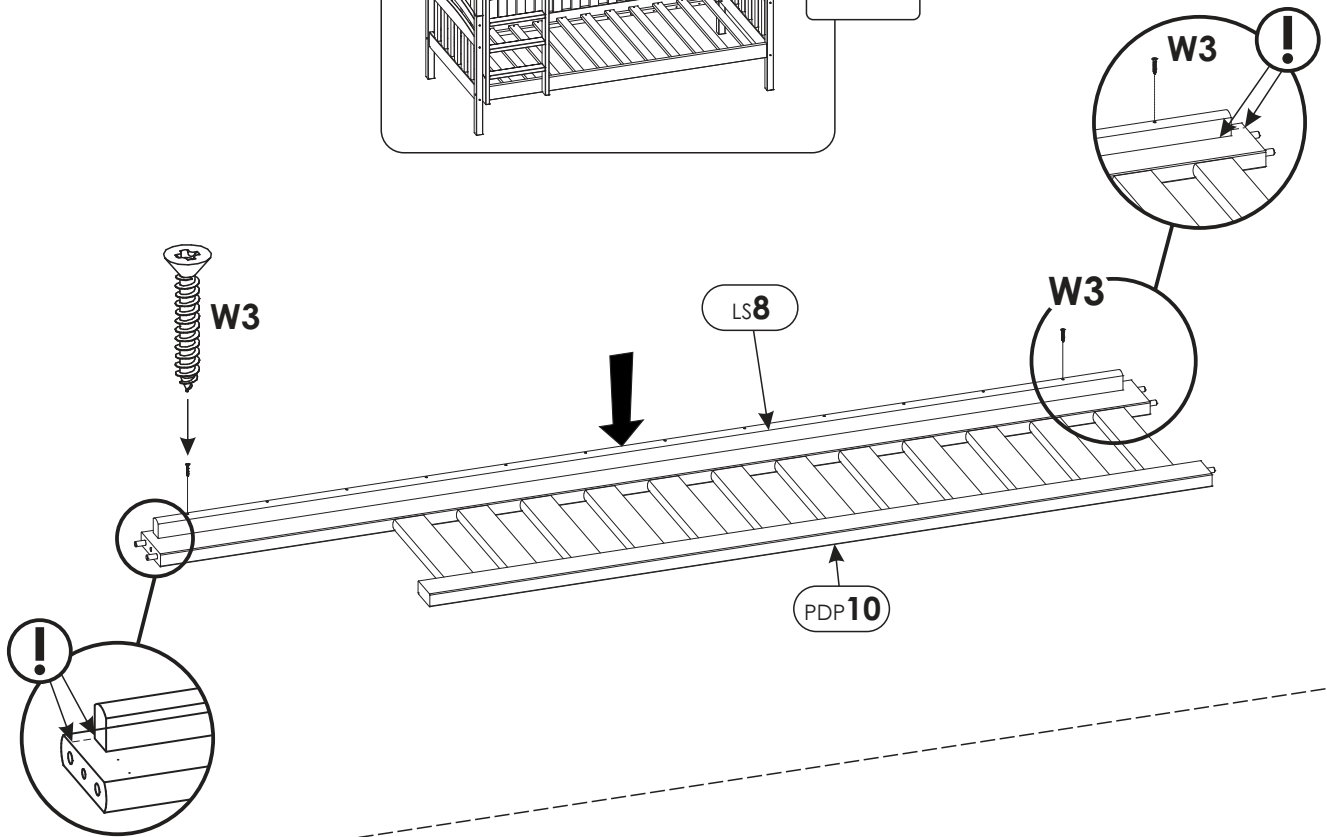
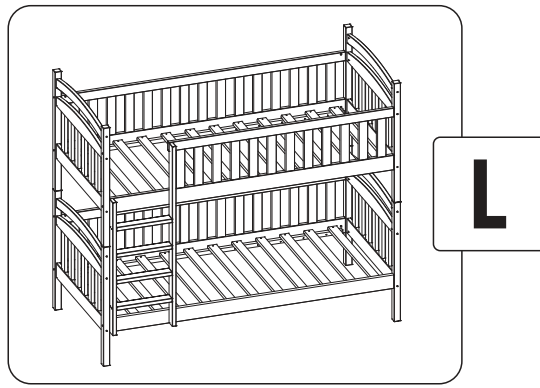
22.1



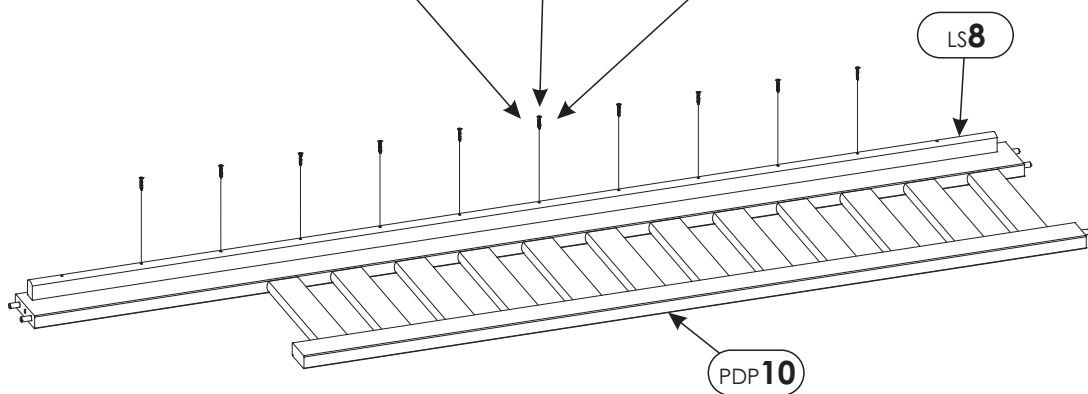
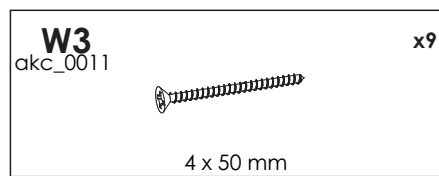
22.2



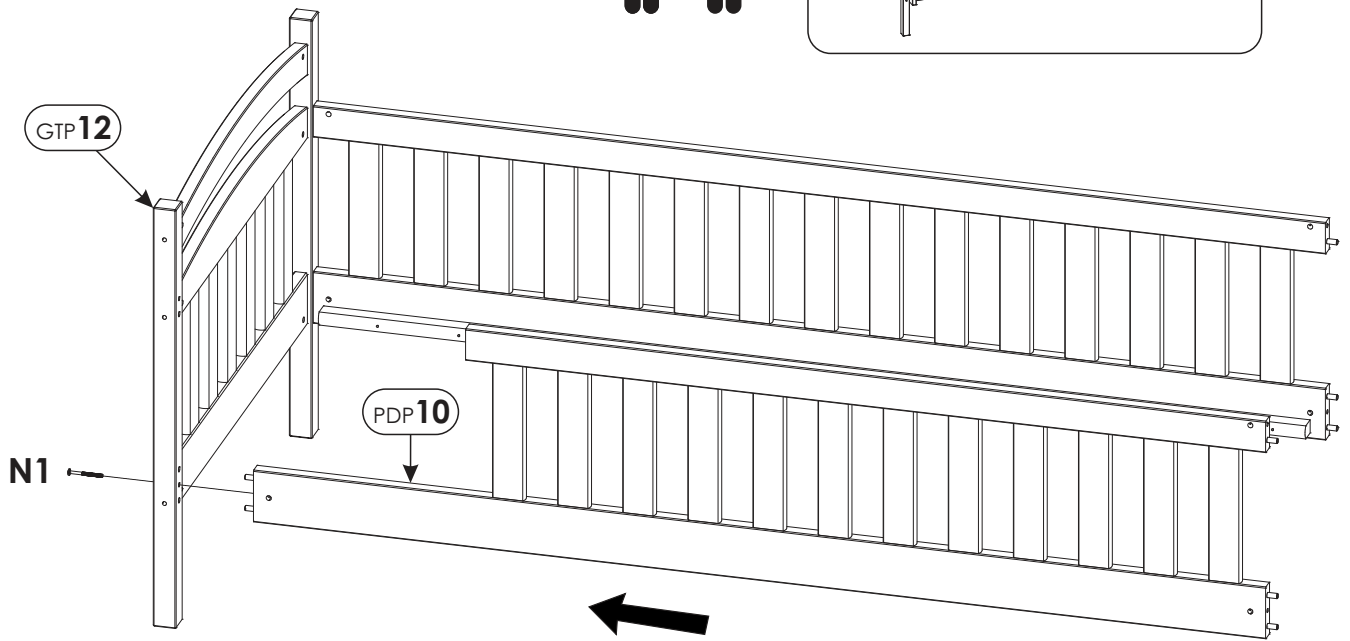
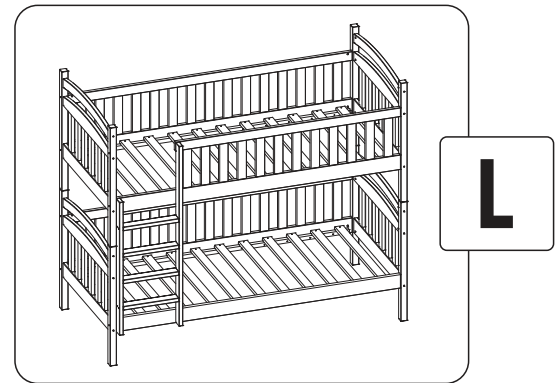
22.3



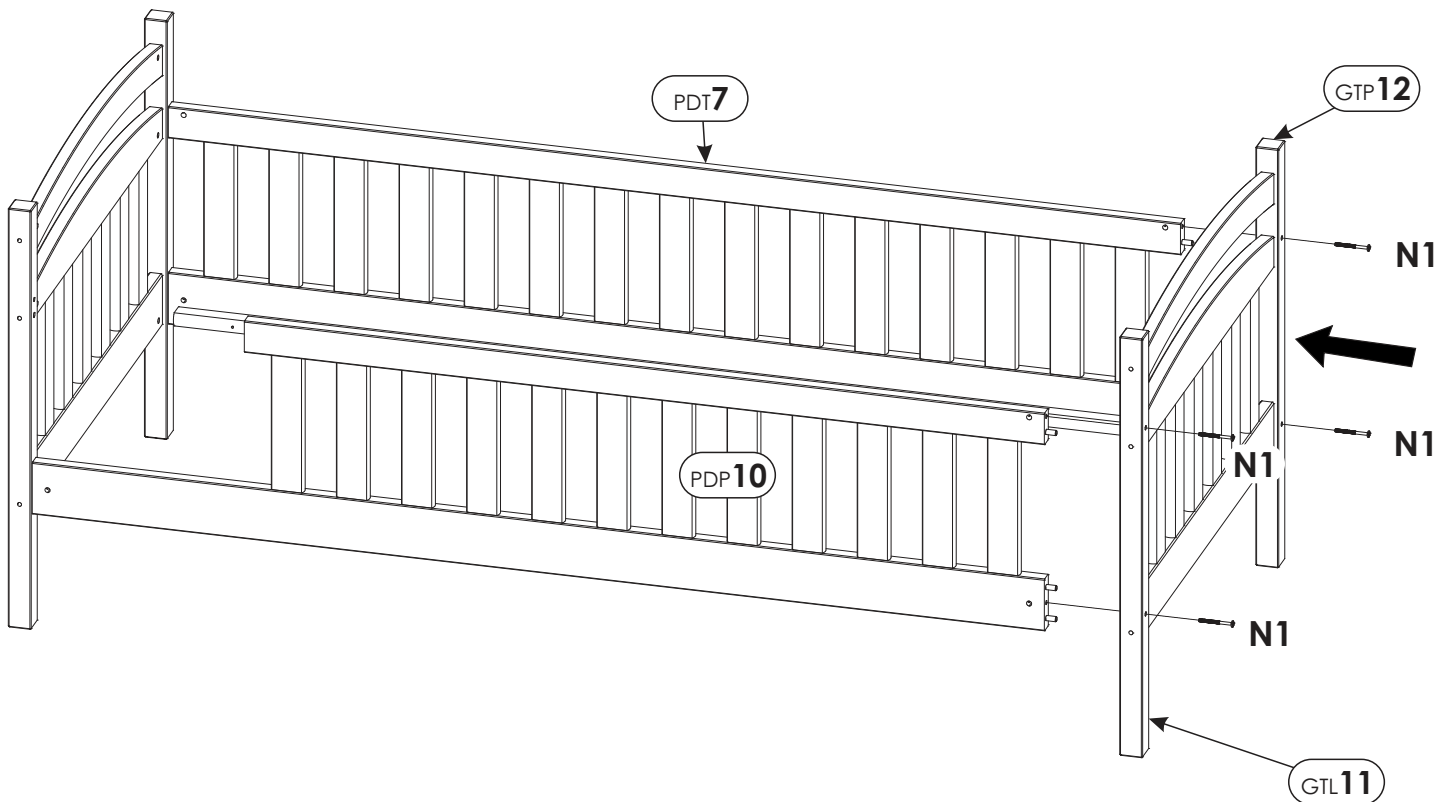
22.4



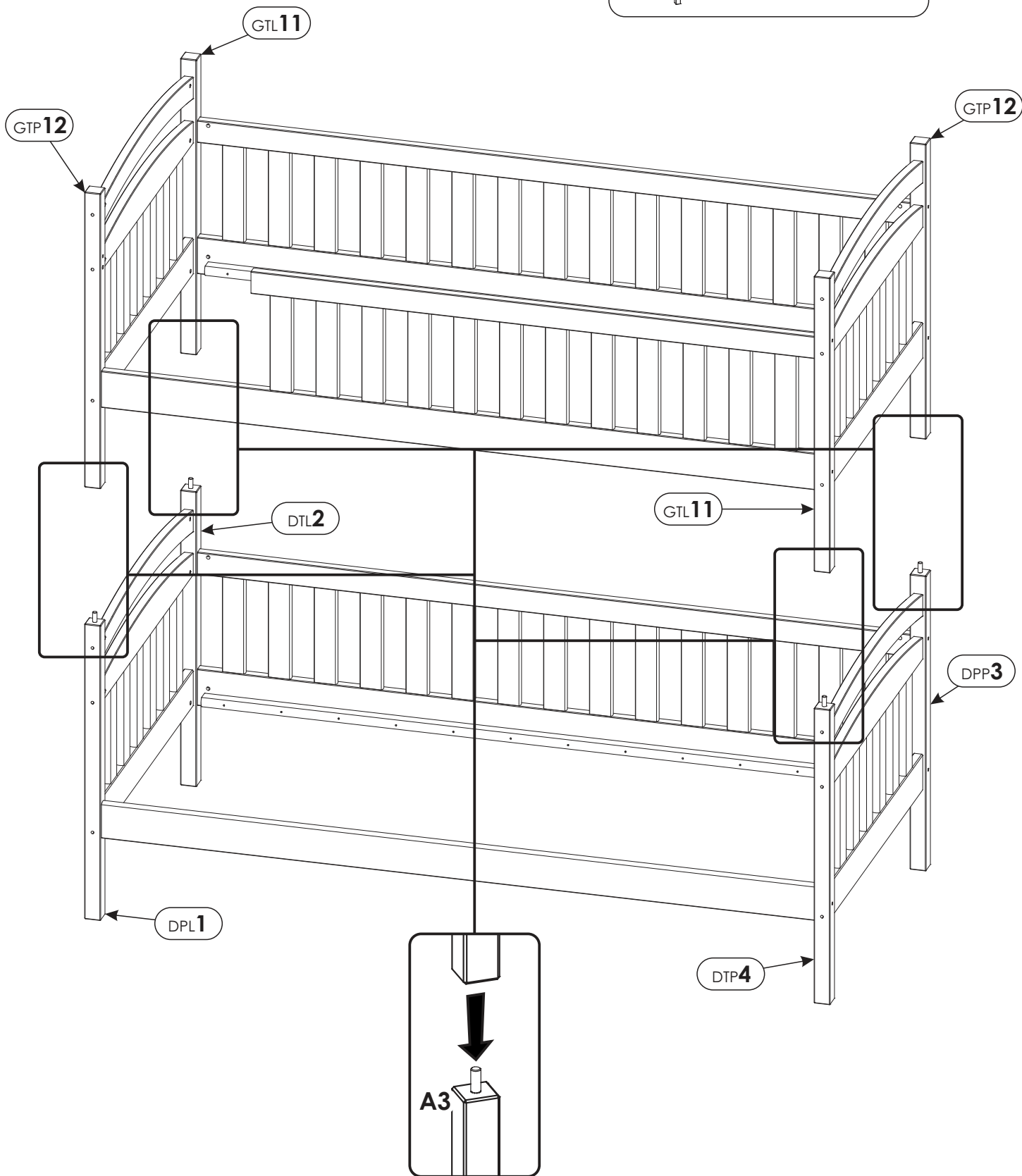
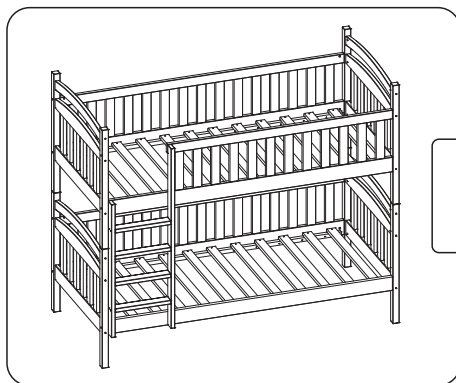
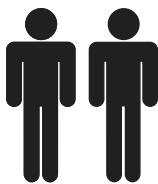
23.



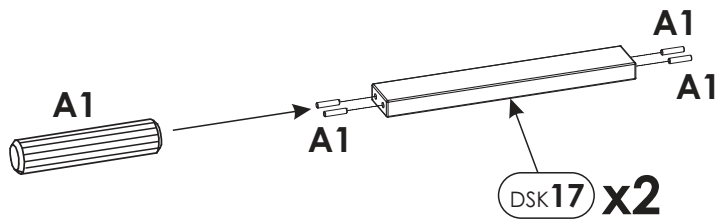
24.



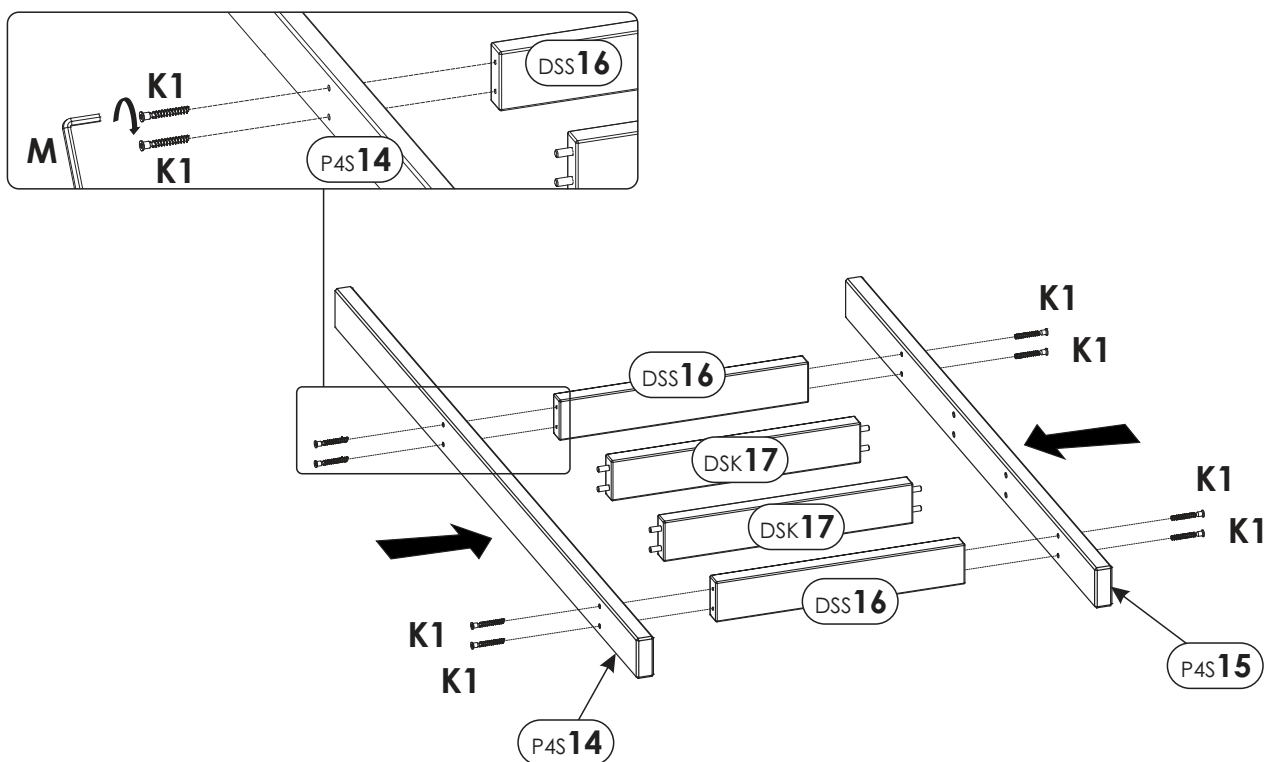
25.



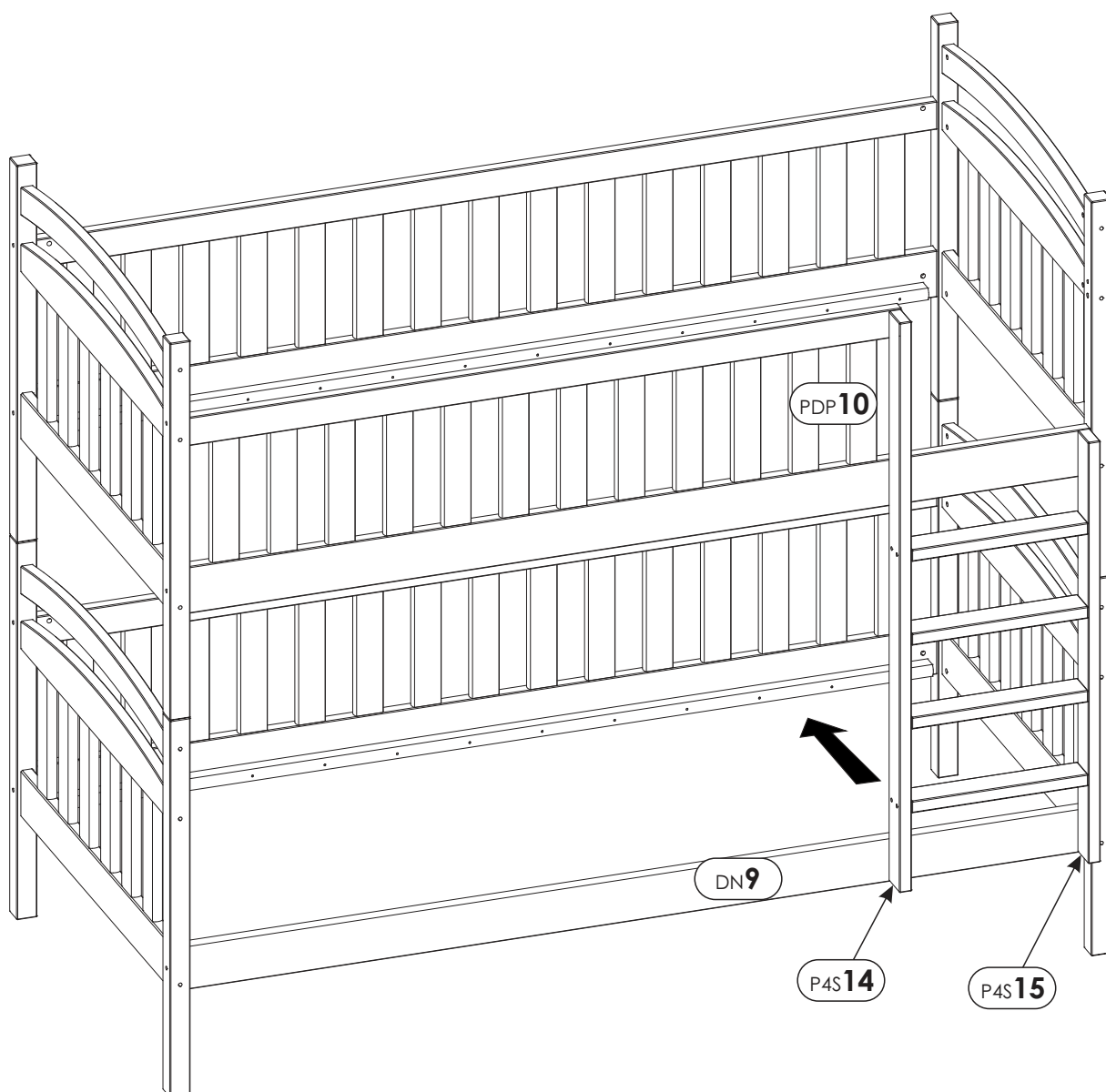
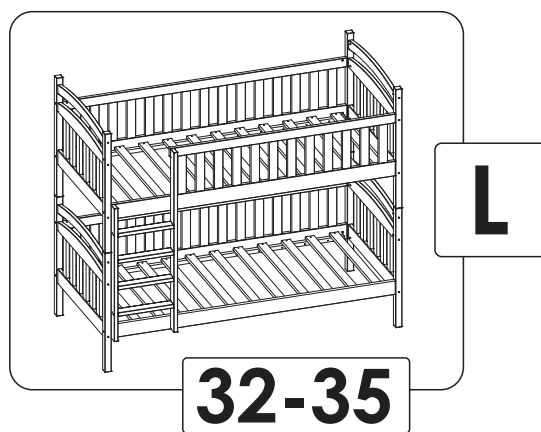
26.



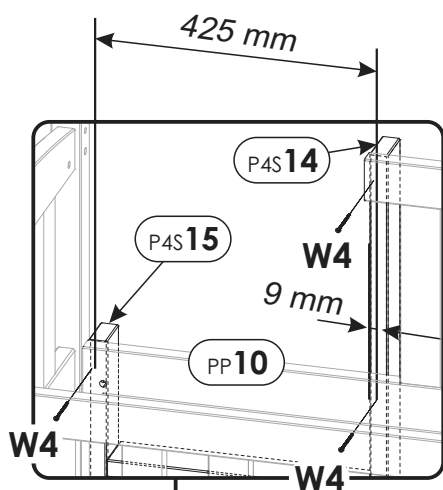
27.



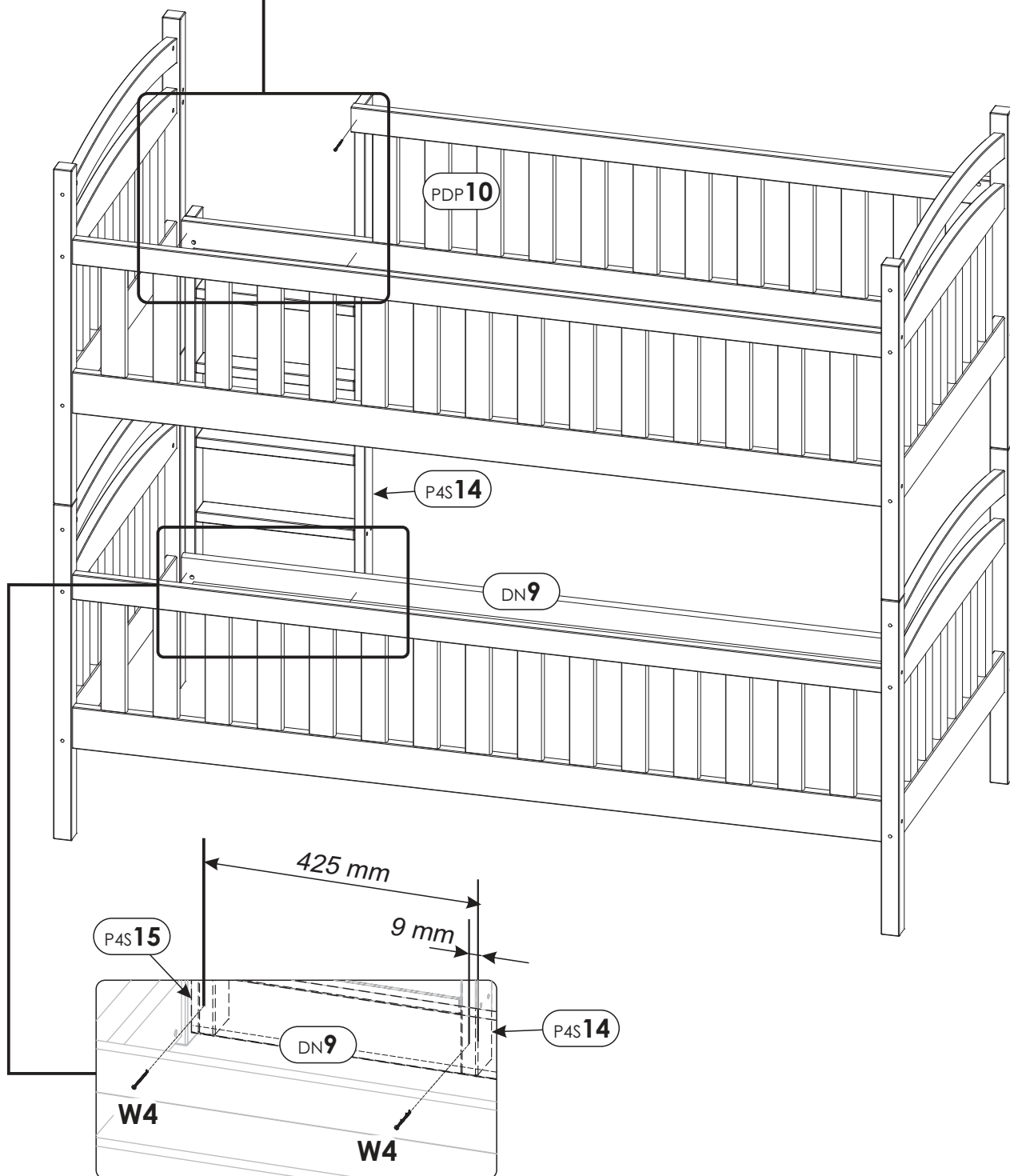
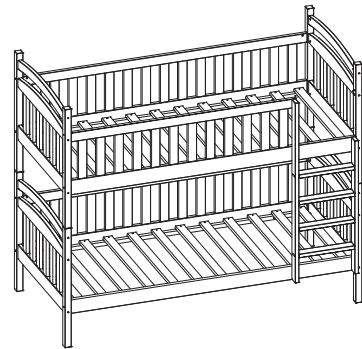
28.



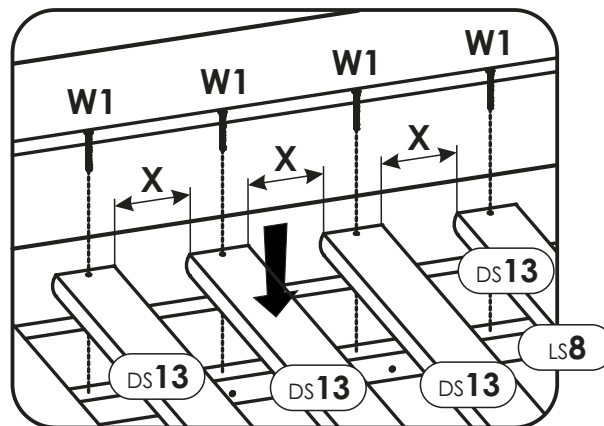
29.



R



30.



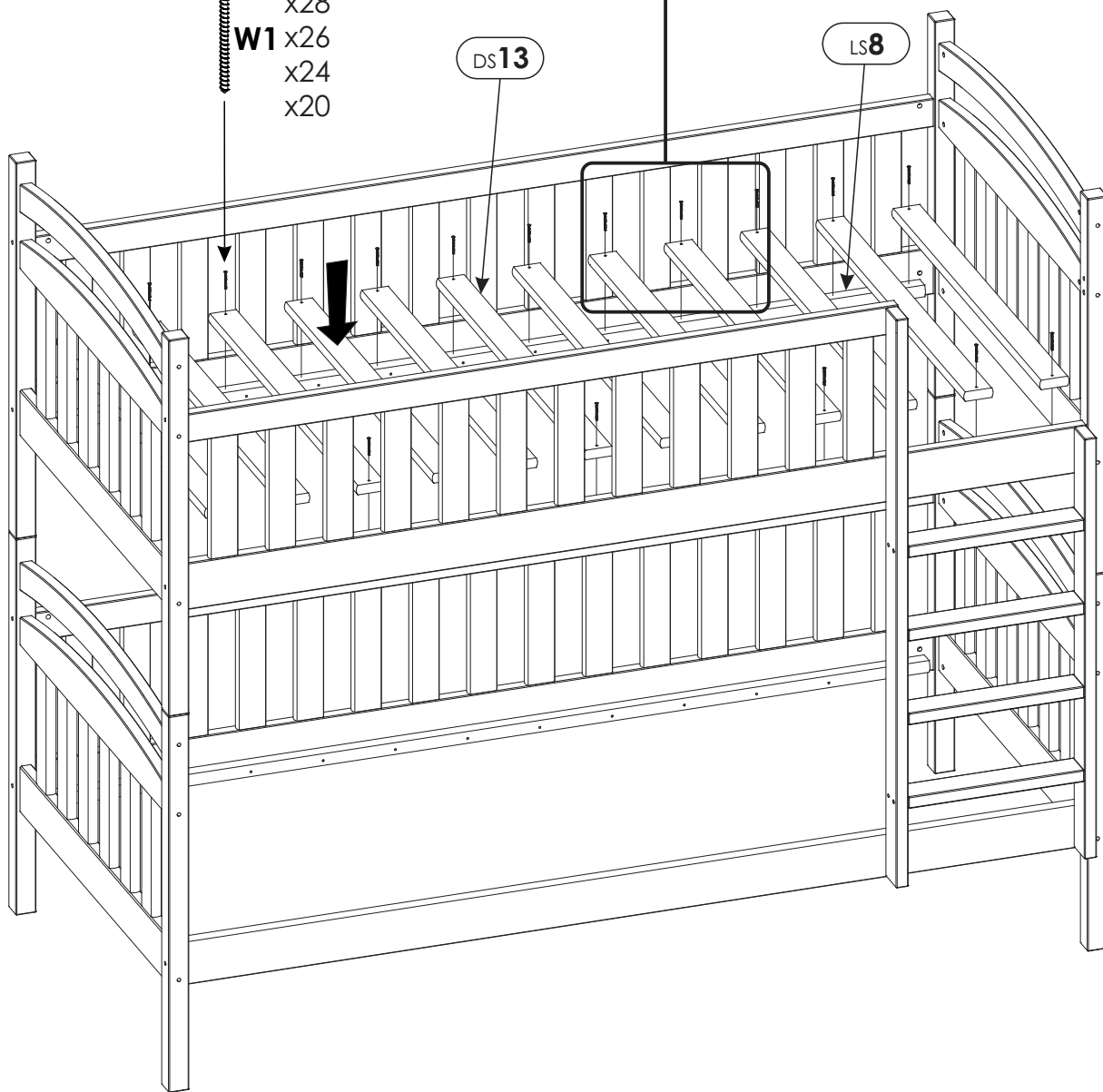
OPTION:



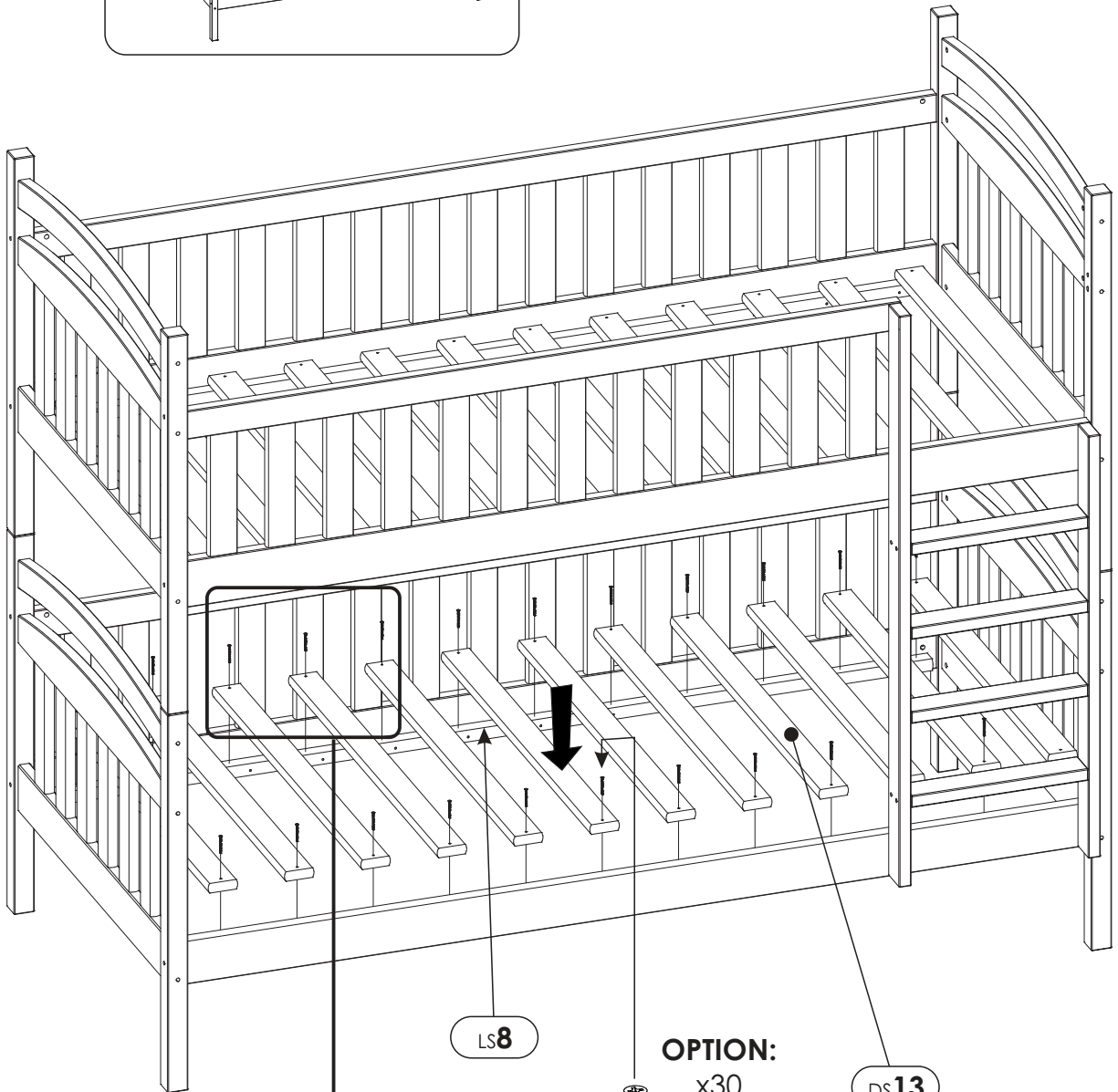
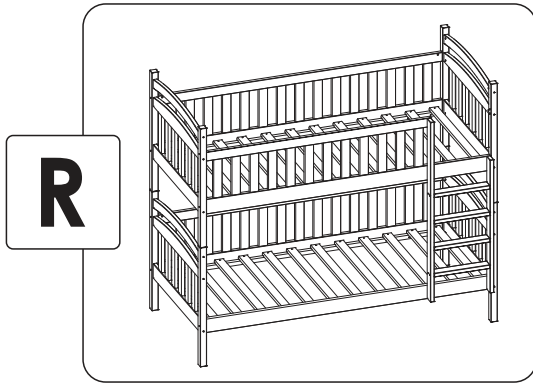
- x30
- x28
- W1** x26
- x24
- x20

DS13


LS8



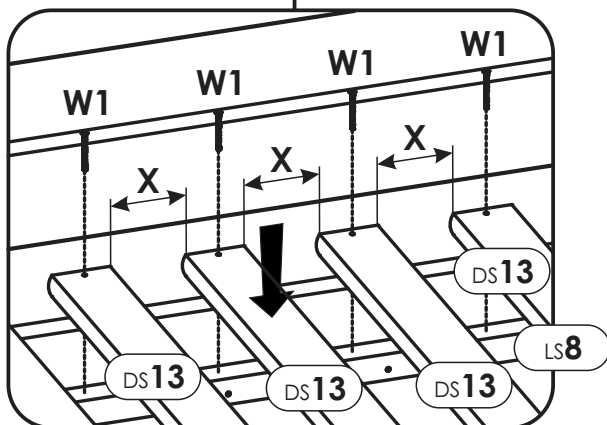
31.



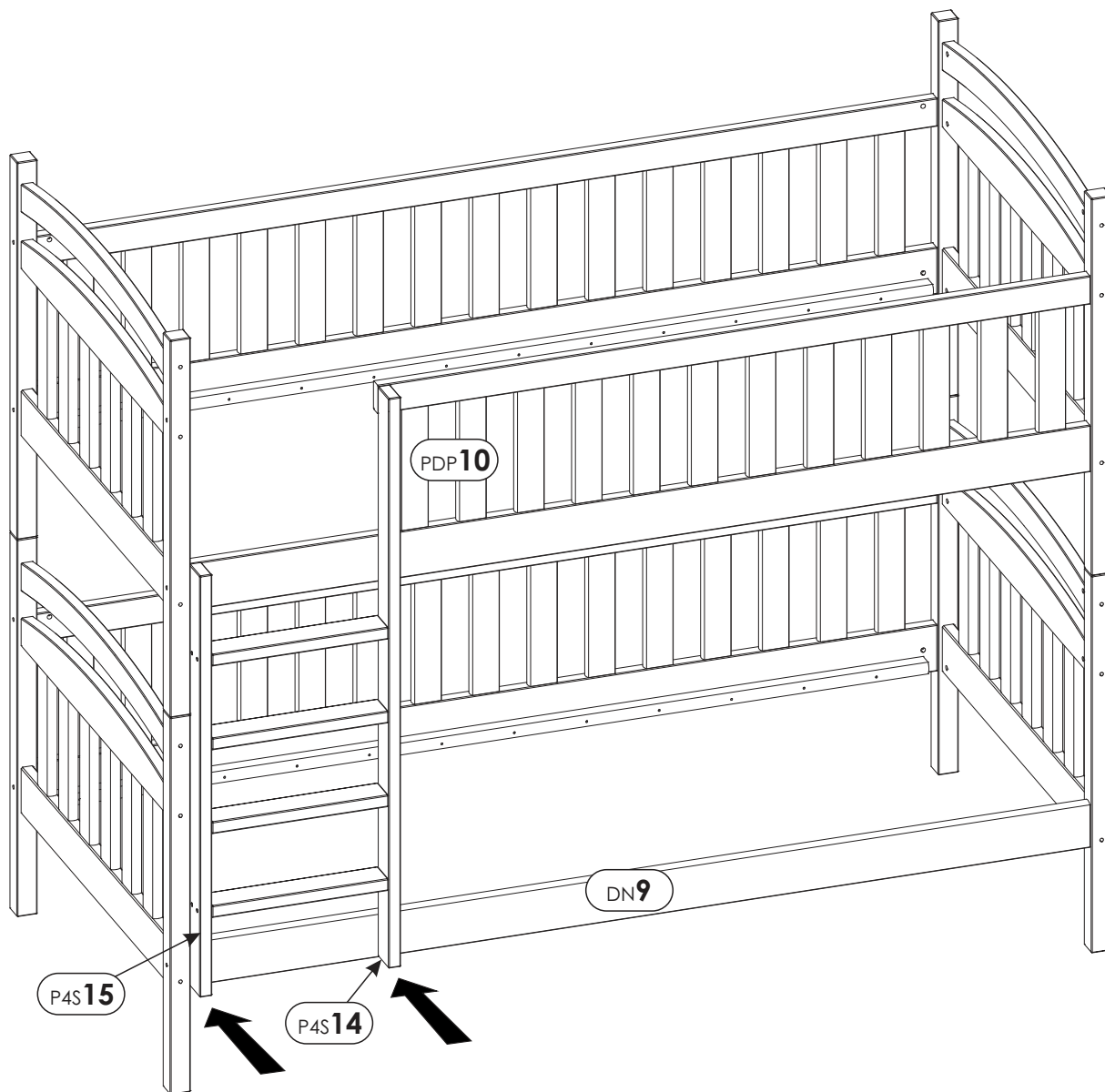
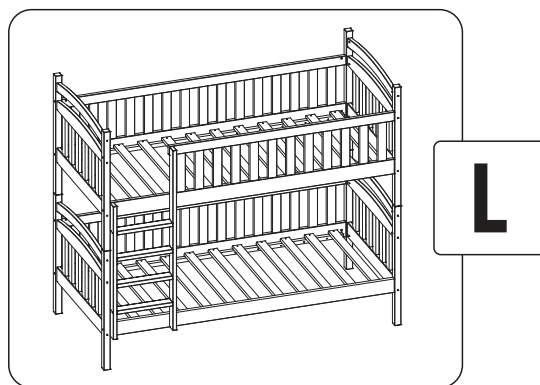
OPTION:

-  x30
- x28
- W1** x26
- x24
- x20

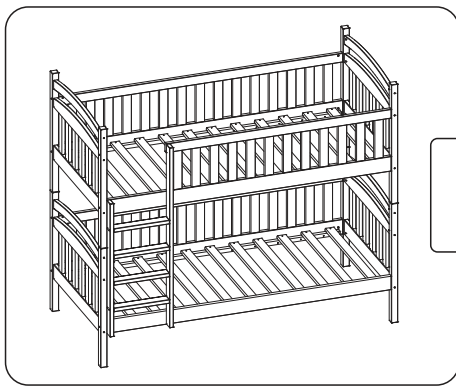
DS13



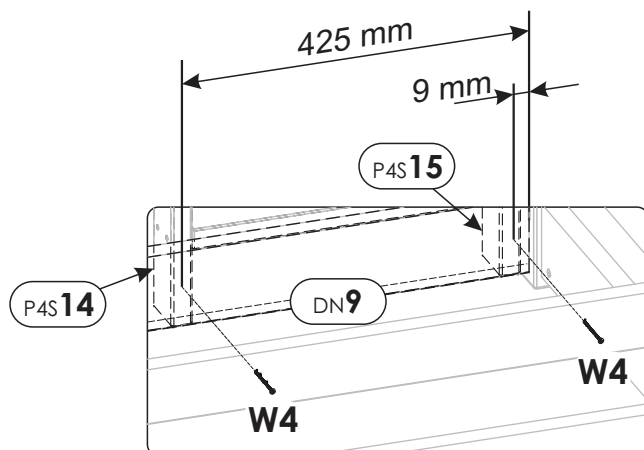
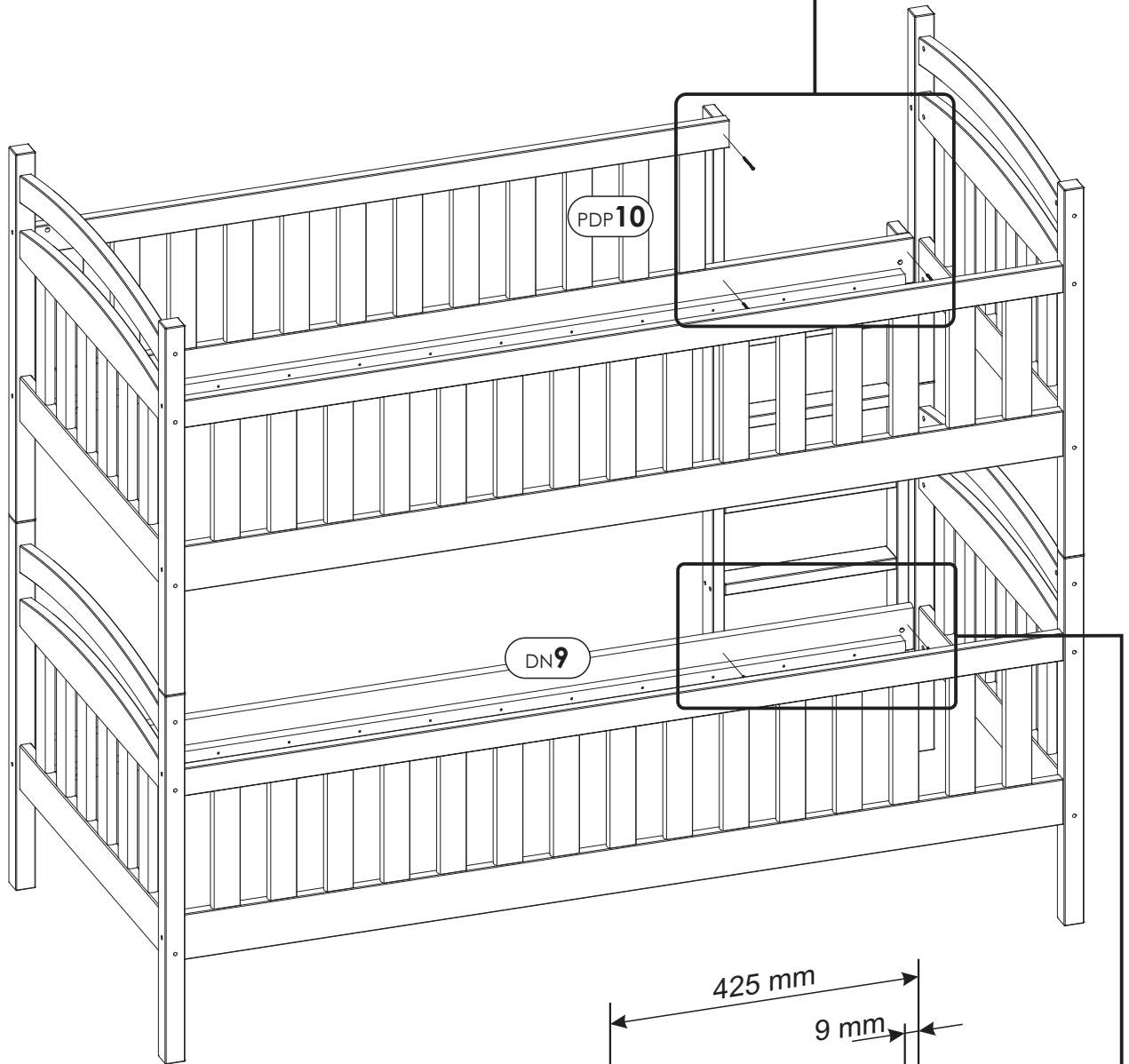
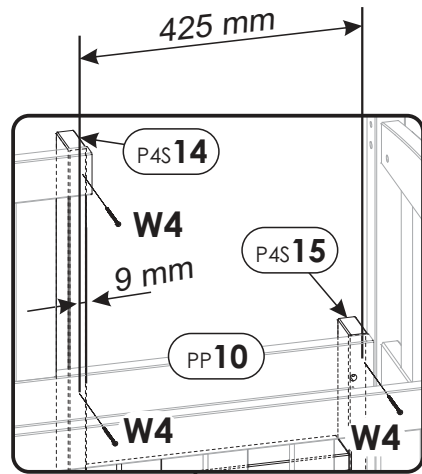
32.



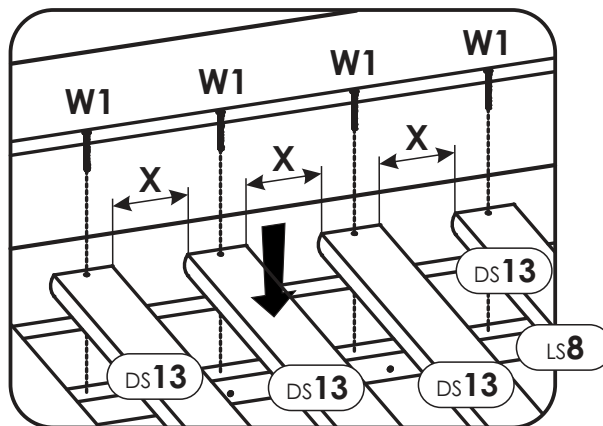
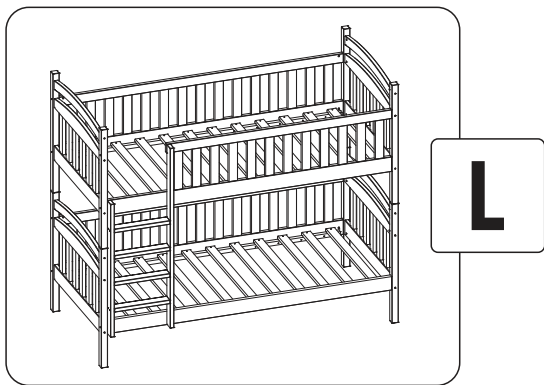
33.



L



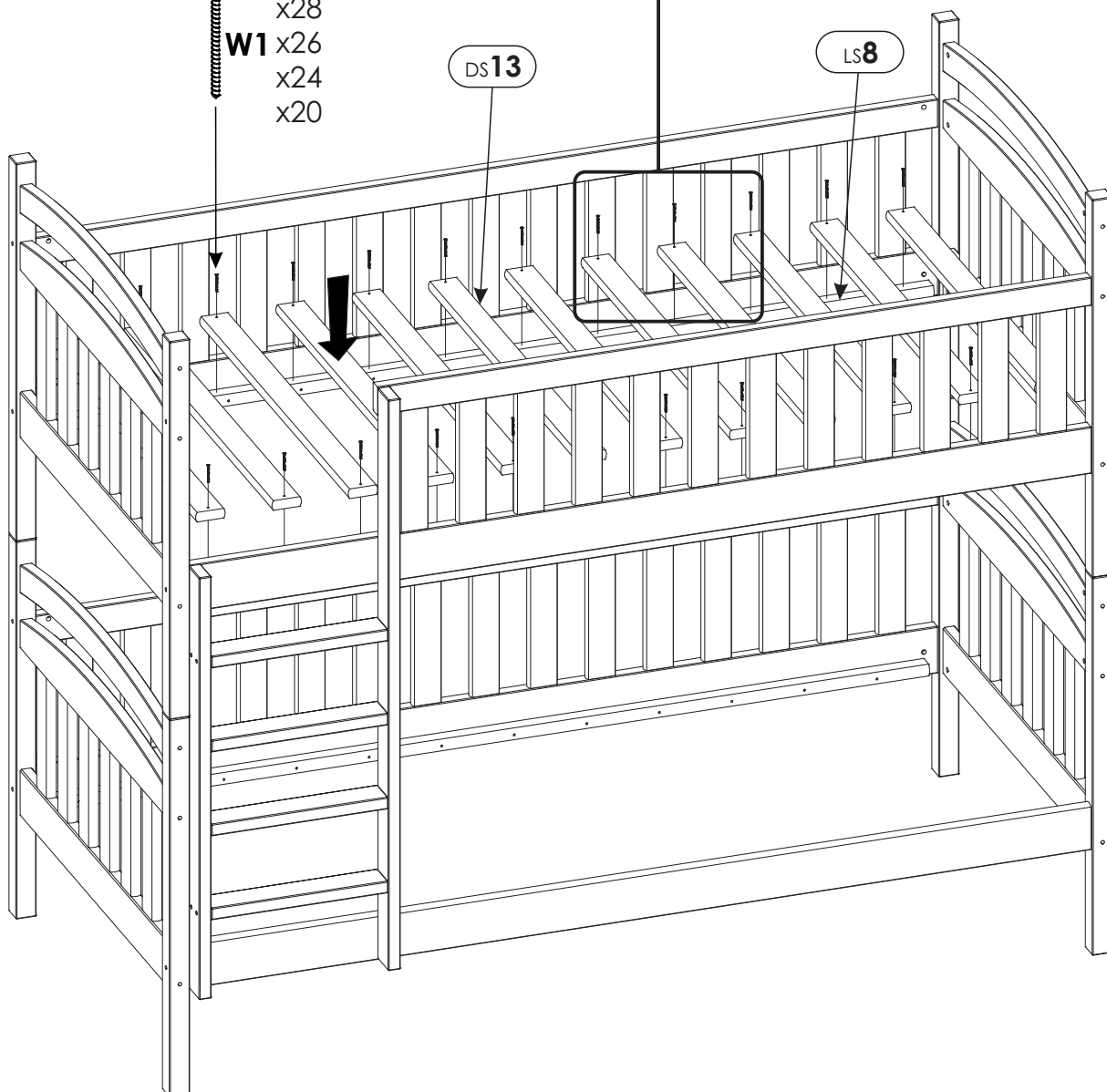
34.



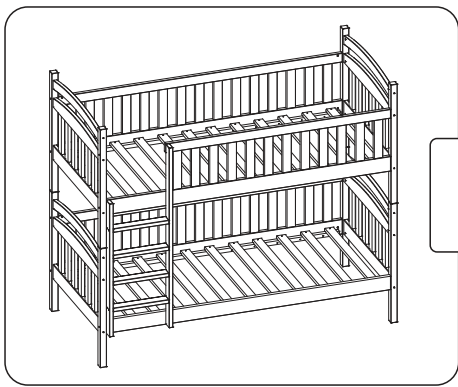
OPTION:



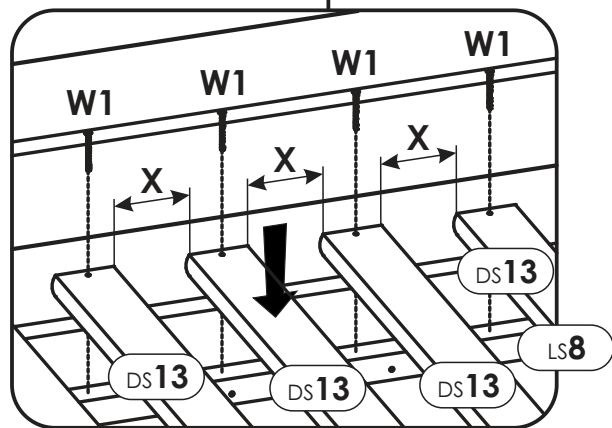
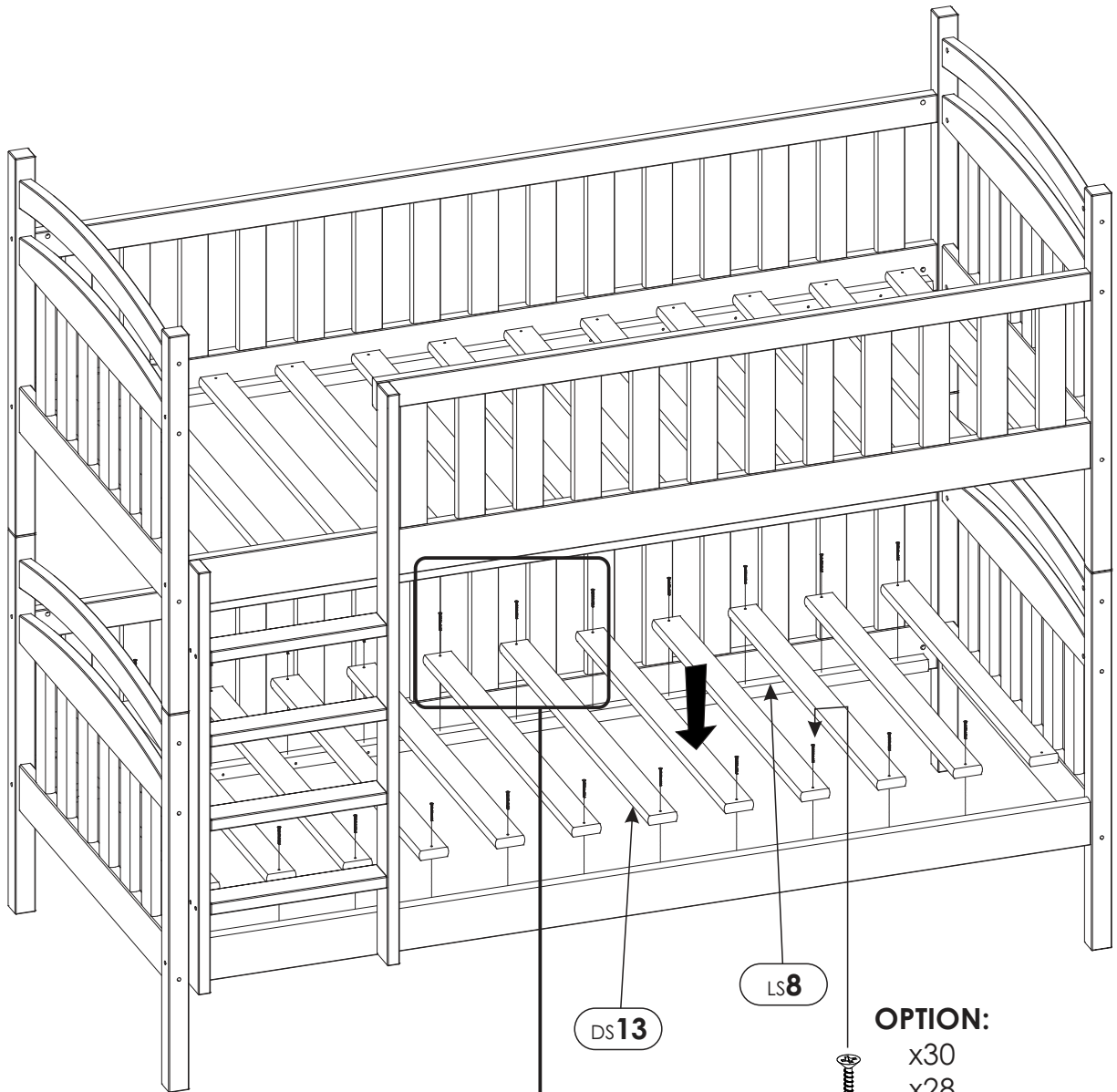
- x30
- x28
- W1** x26
- x24
- x20



35.



L



- OPTION:**
- x30
 - x28
 - W1** x26
 - x24
 - x20