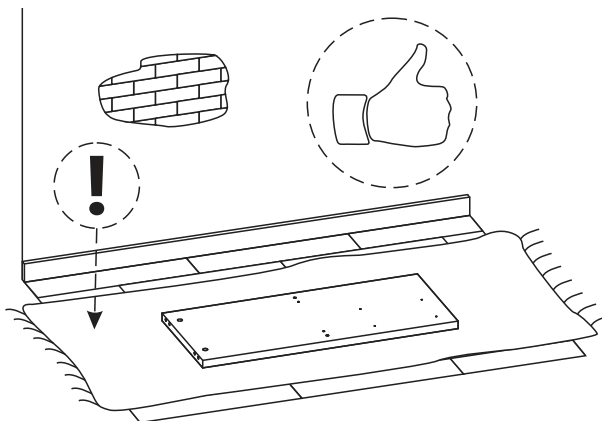
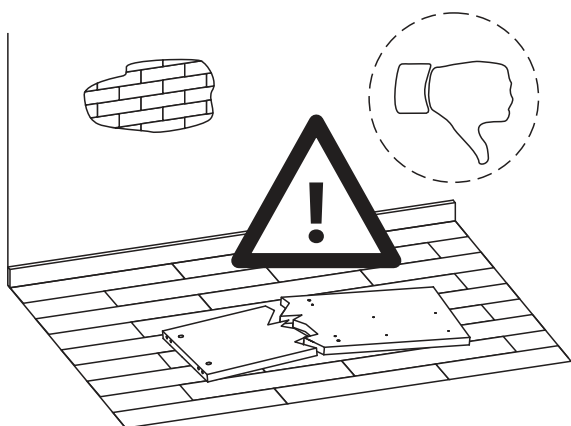
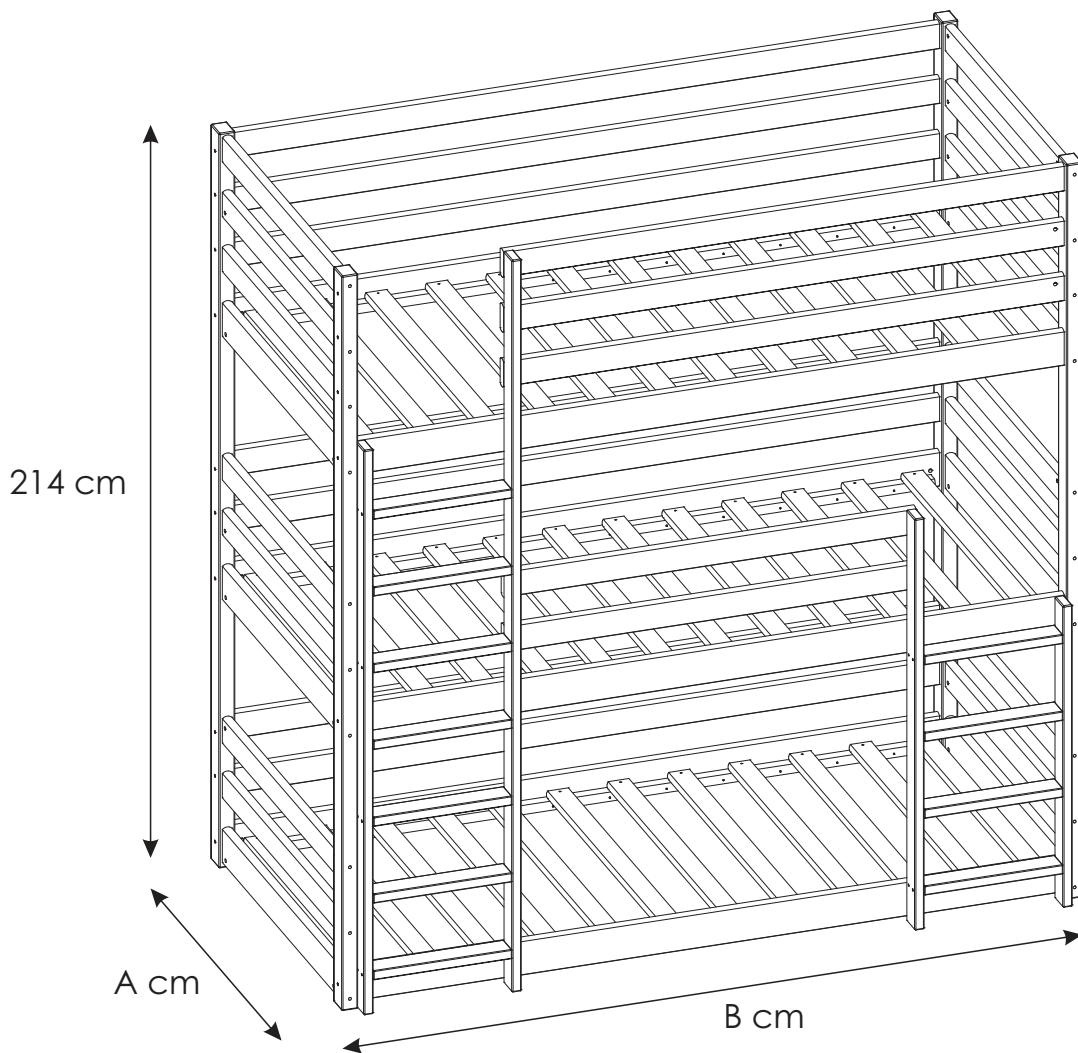
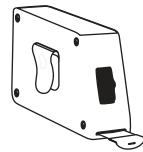
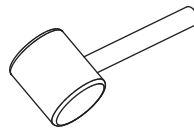
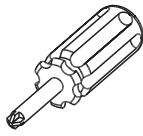
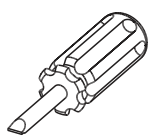
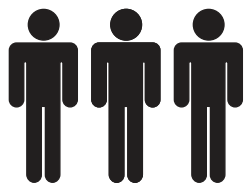
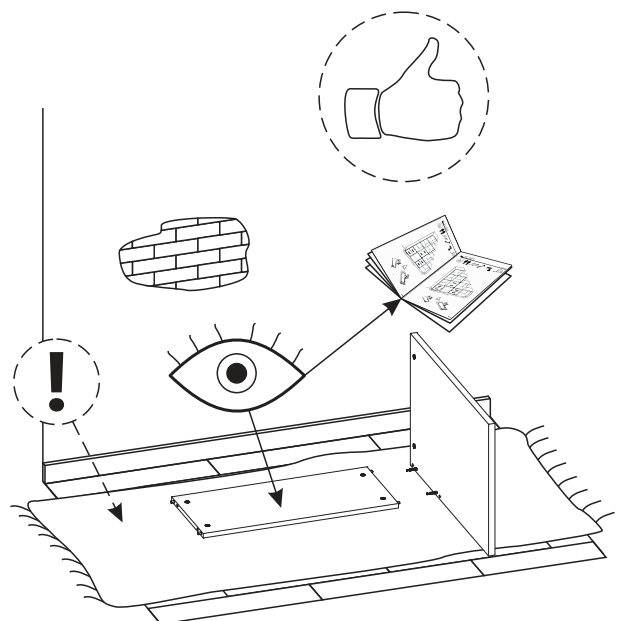
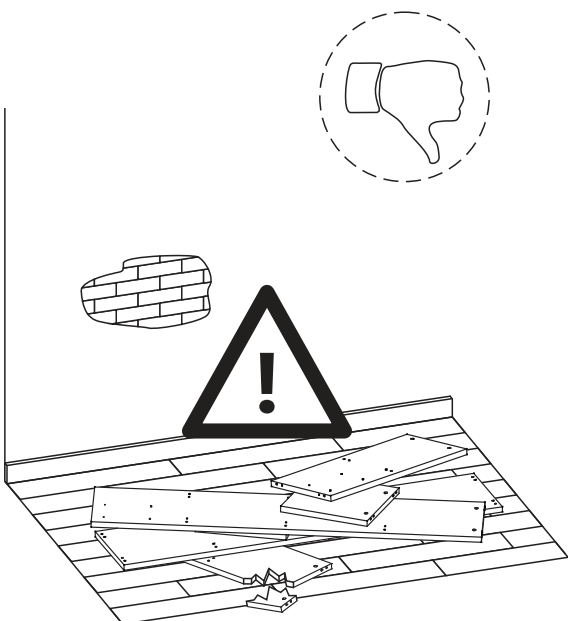
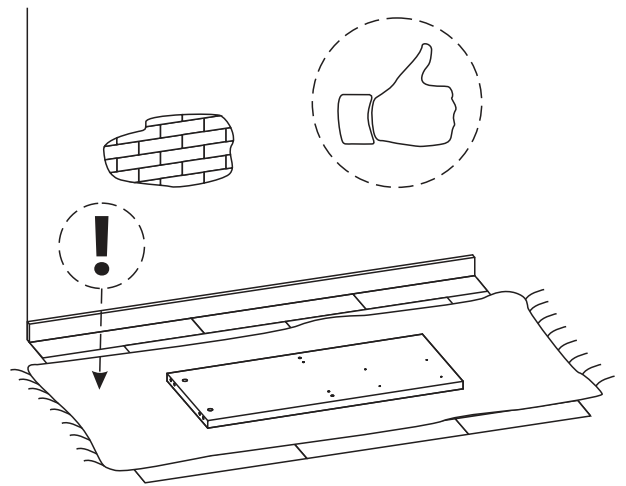
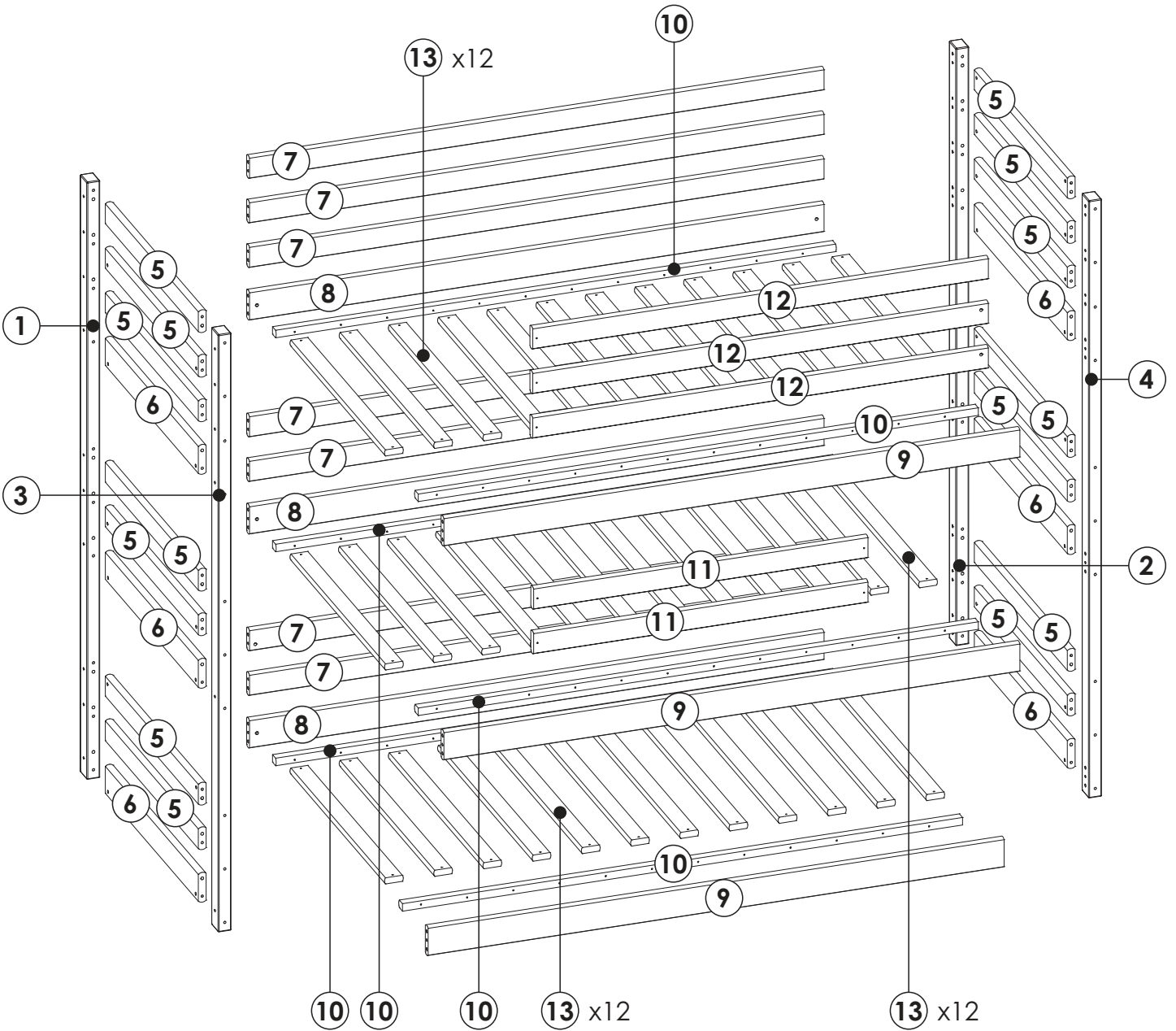
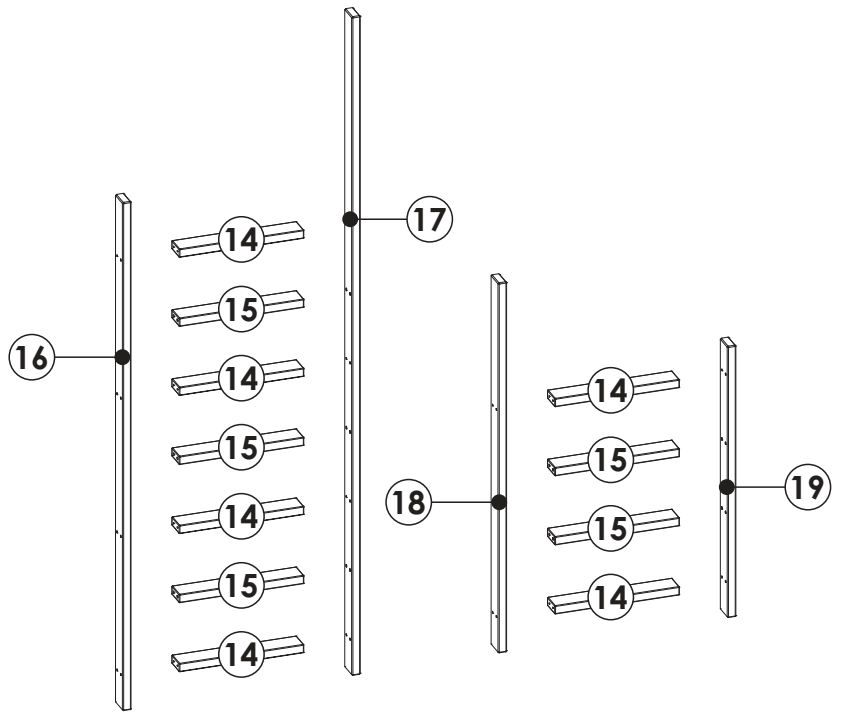
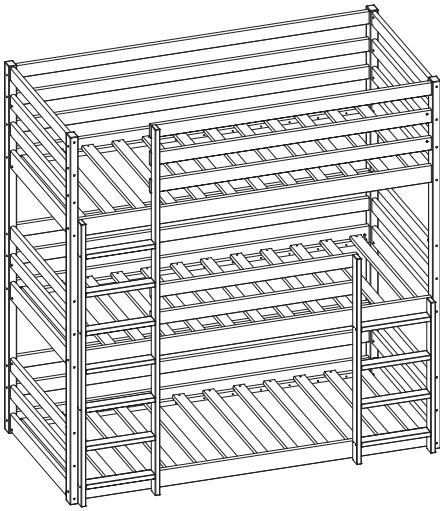


# TADEK





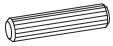
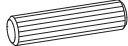


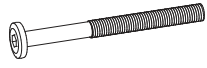
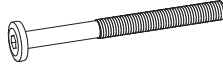



# TADEK



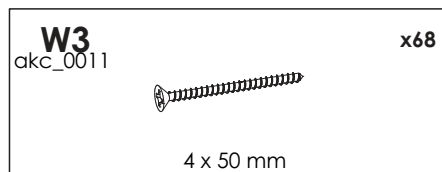
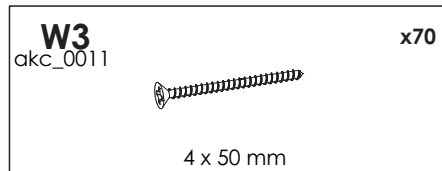
# TADEK

TTL <b>1</b>	2144	65	45	x1	TNTL_00280
TTP <b>2</b>	2144	65	45	x1	TNTP_00290
TPL <b>3</b>	2144	65	45	x1	TNPL_00260
TPP <b>4</b>	2144	65	45	x1	TNPP_00270
DW <b>5</b>	685, 785, 885	82	27	x14	DW_00230
DST <b>6</b>	685, 785, 885	107	27	x6	DST_00120
DW <b>7</b>	1390,1590, 1690,1790, 1890, 1990	82	27	x7	DW_00230
DN <b>8</b>	1390,1590, 1690,1790, 1890, 1990	107	27	x3	DN_00110
DOD <b>9</b>	1390,1590, 1690,1790, 1890, 1990	107	27	x3	DNOD_00130
LS <b>10</b>	1340,1540, 1640,1740, 1840, 1940	35	25	x6	LS_00160
DWx <b>11</b>	558, 758, 858, 958, 1058,1158	82	27	x2	DWXDDD_00300
DWD <b>12</b>	978,1178, 1278, 1378, 1478,1578	82	27	x3	DWDDD_00240
DS <b>13</b>	700, 800, 900	65	22	x36	DS_00170
DSS <b>14</b>	390	65	27	x5	DSS_00210
DSK <b>15</b>	390	65	27	x6	DSK_00220
DNL <b>16</b>	1648	65	27	x1	DDPNTL_00250
DWL <b>17</b>	2136	65	27	x1	DDPWTL_00250
DWP <b>18</b>	1200	65	27	x1	DDPWTP_00250
DNP <b>19</b>	880	65	27	x1	DDPNTP_00250

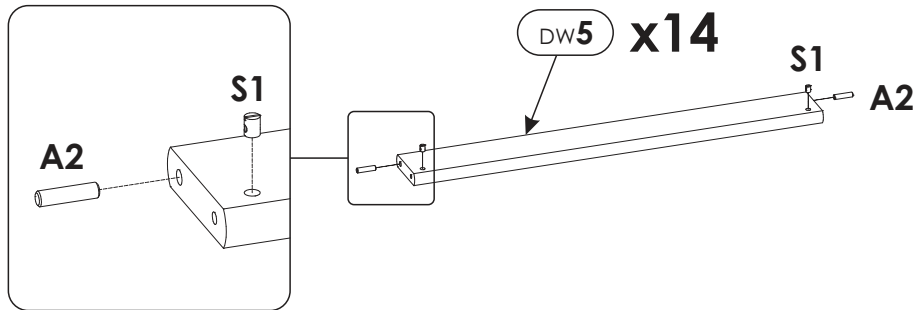
# TADEK

<b>A1</b> akc_0001  8 x 35 mm x20	<b>A2</b> akc_0002  10 x 40 mm x81	<b>K1</b> akc_0004  6,4 x 50 mm x24
<b>M</b> akc_0005  x1	<b>N1</b> akc_0006  6 x 80 mm x29	<b>N2</b> akc_0007  6 x 100 mm x40
<b>S1</b> akc_0008  10 x 16 mm x69	<b>W1</b> akc_0009  3,5 x 40 mm x72	<b>W4</b> akc_0012  4 x 60 mm x17

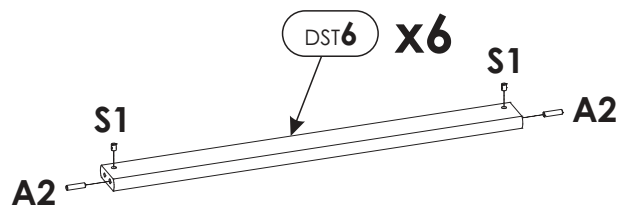
## OPTION



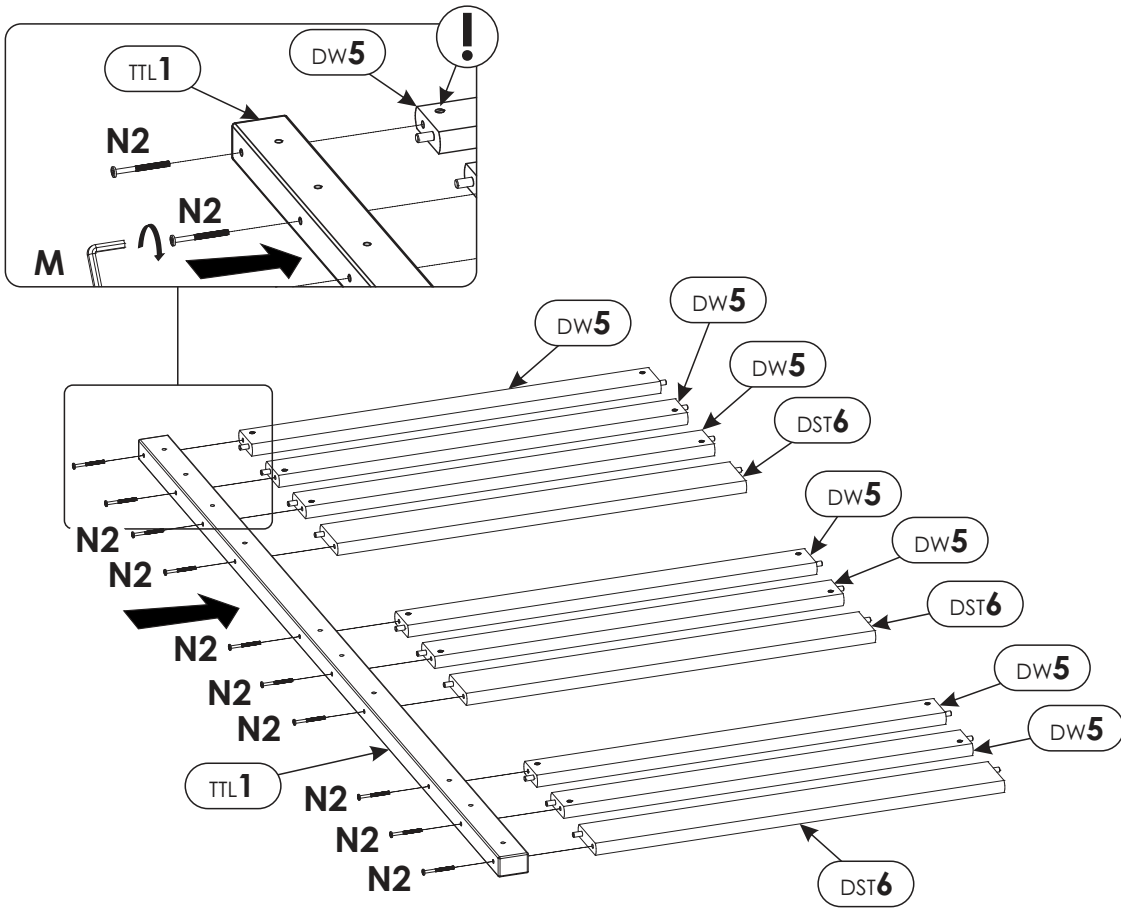
# 1.



# 2.

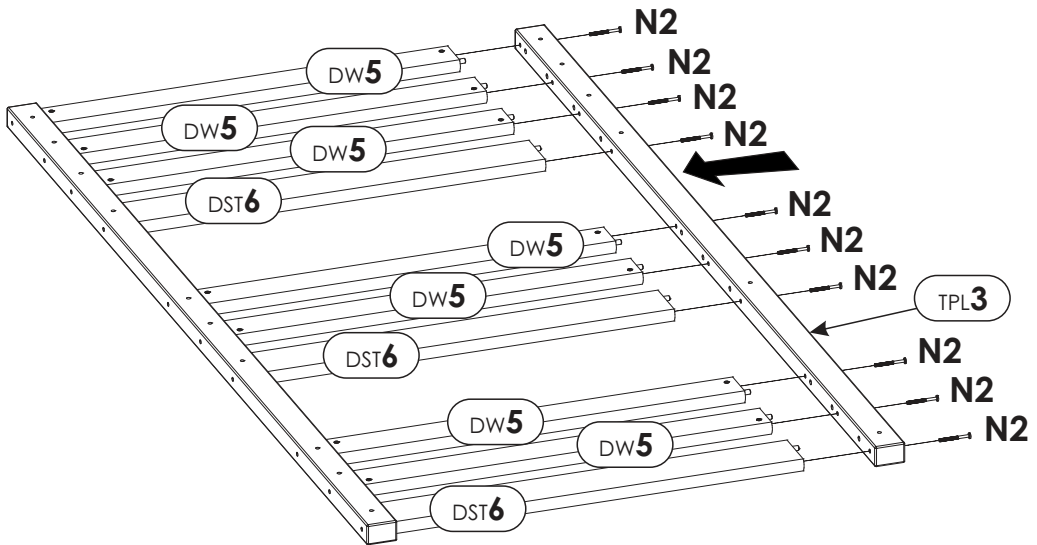


3.



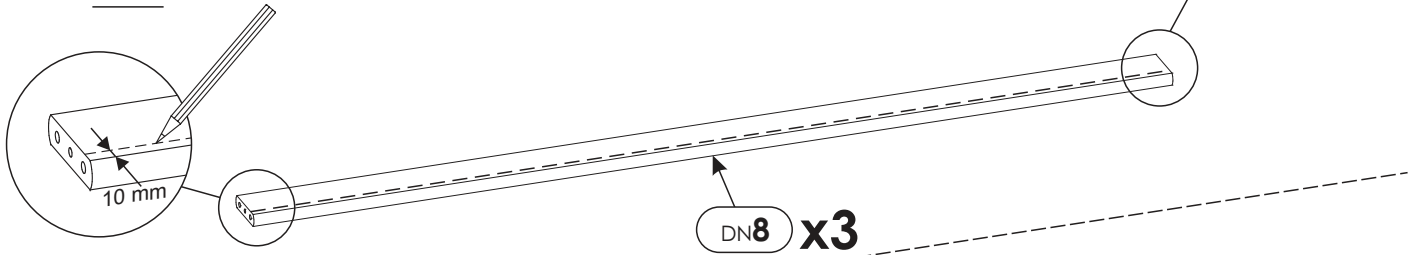
5

4.

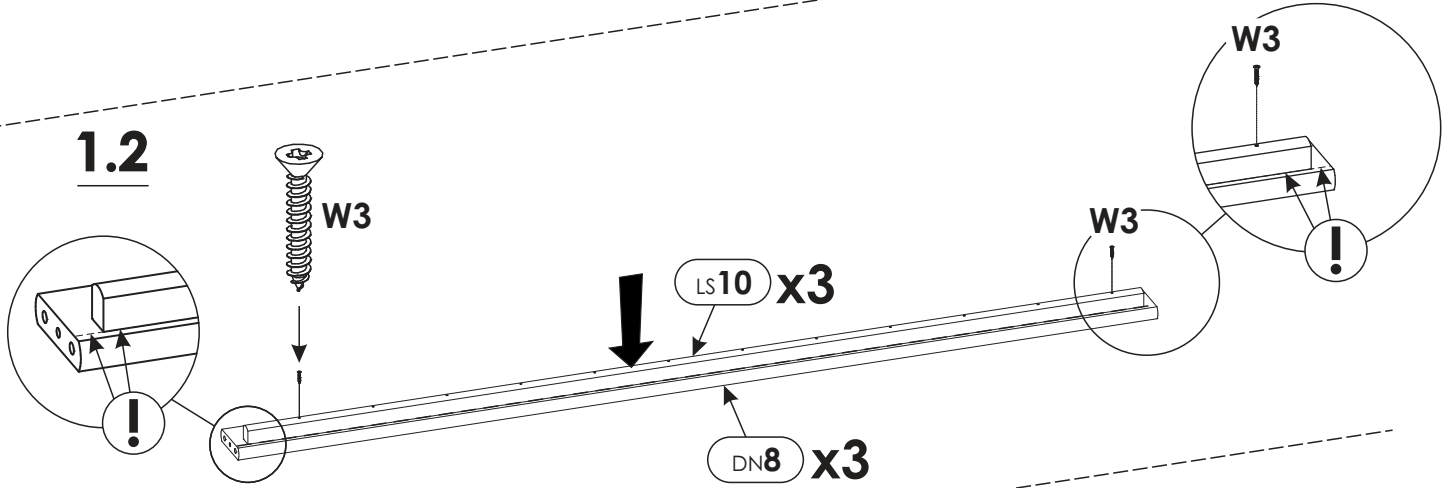


# 5.

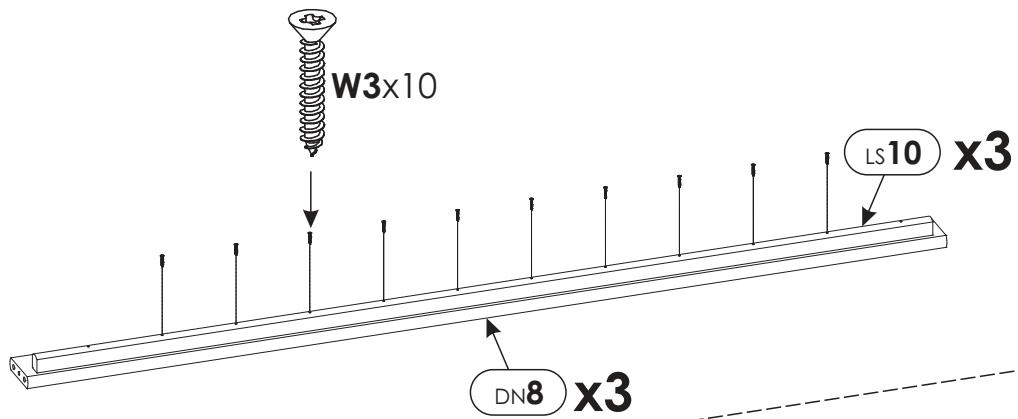
## 1.1



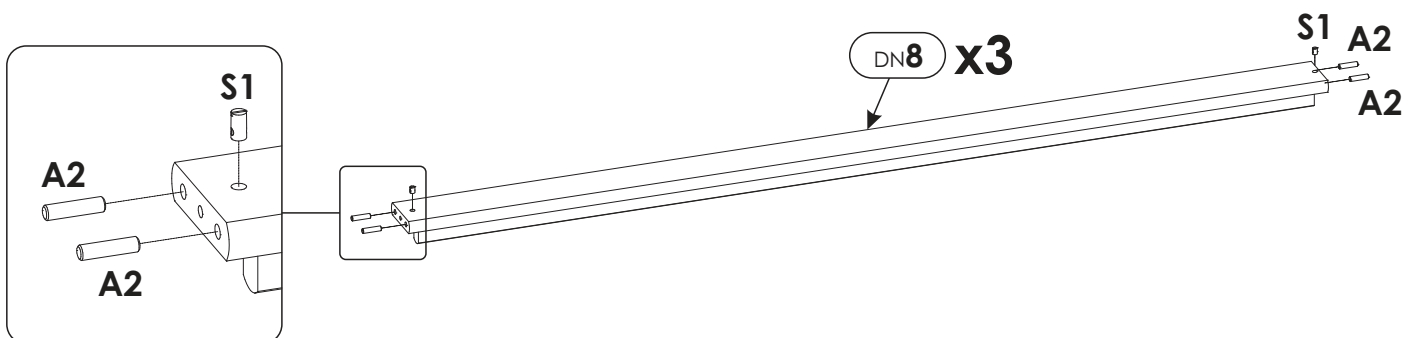
## 1.2



## 1.3

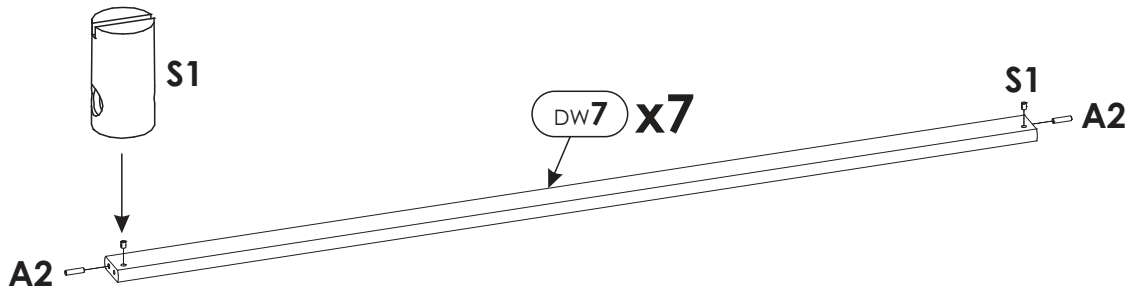


## 1.4

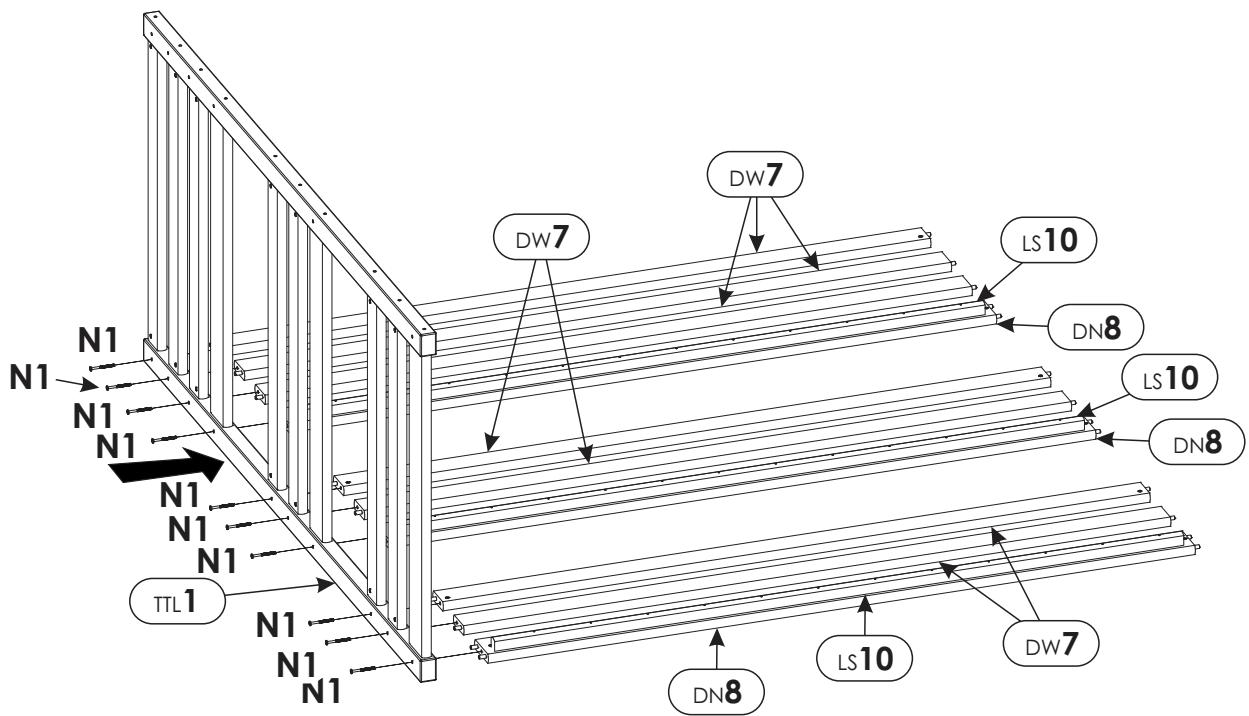




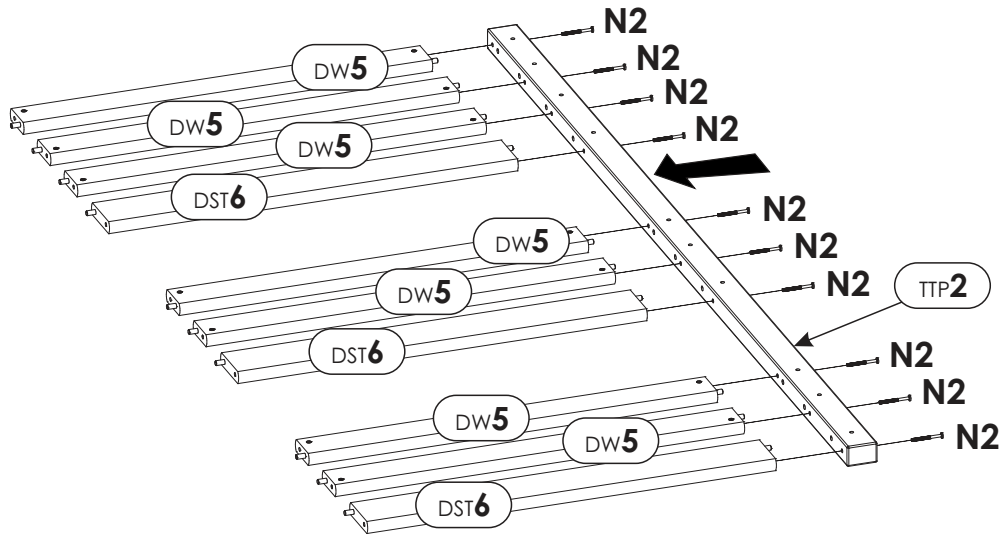
6.



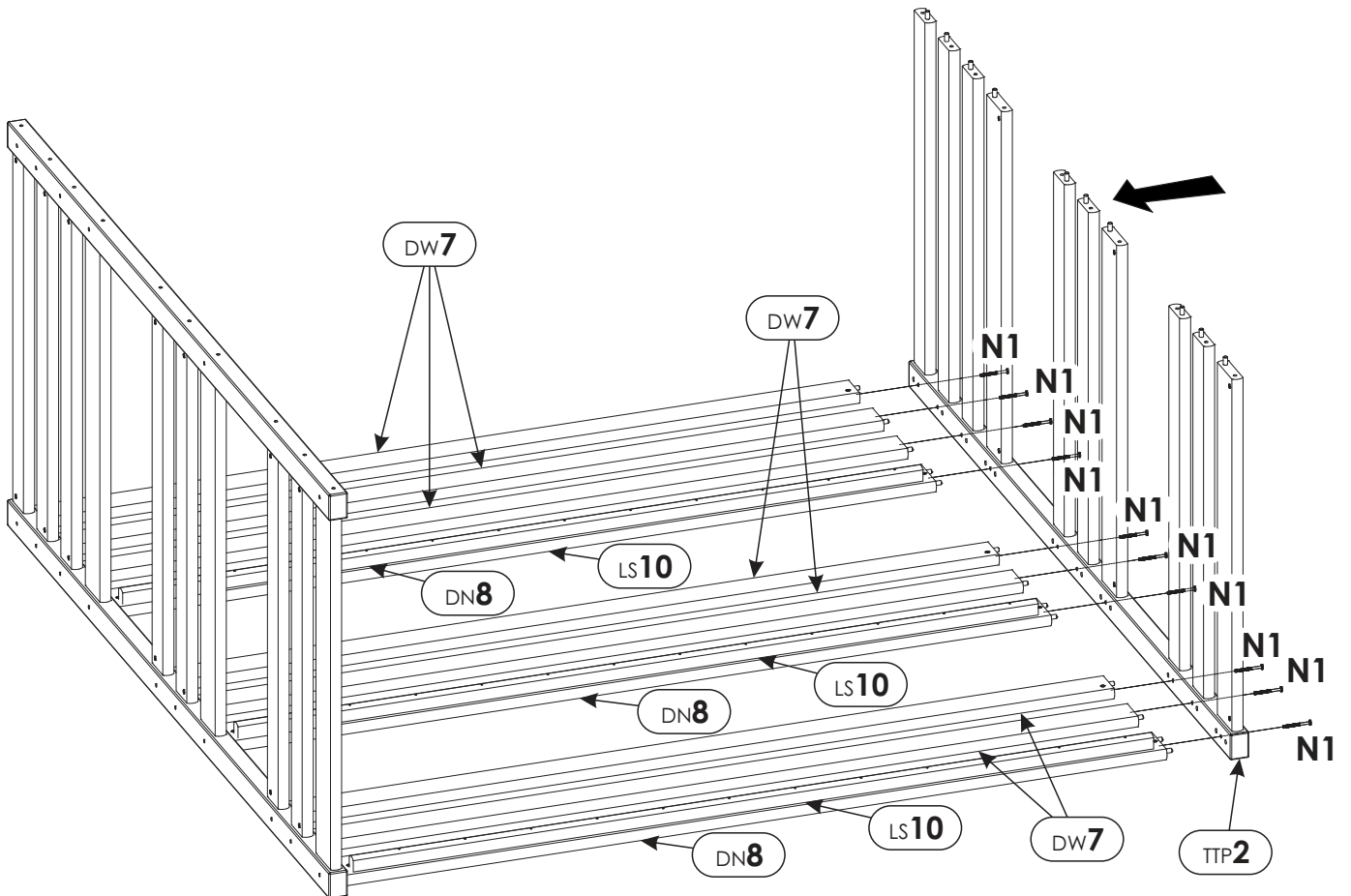
7.



8.



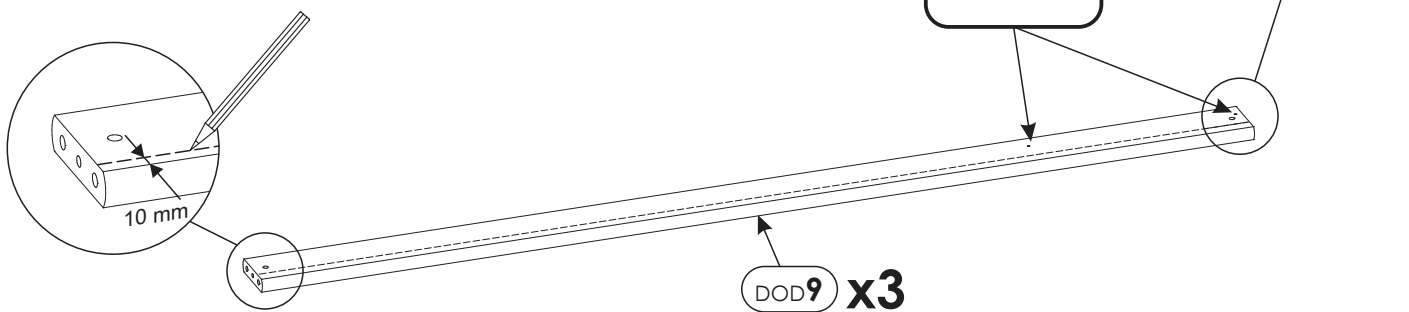
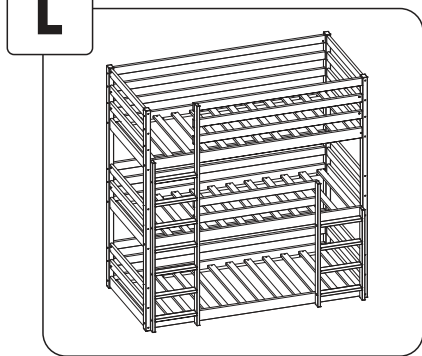
9.



# 10.

## 16.1

**L**

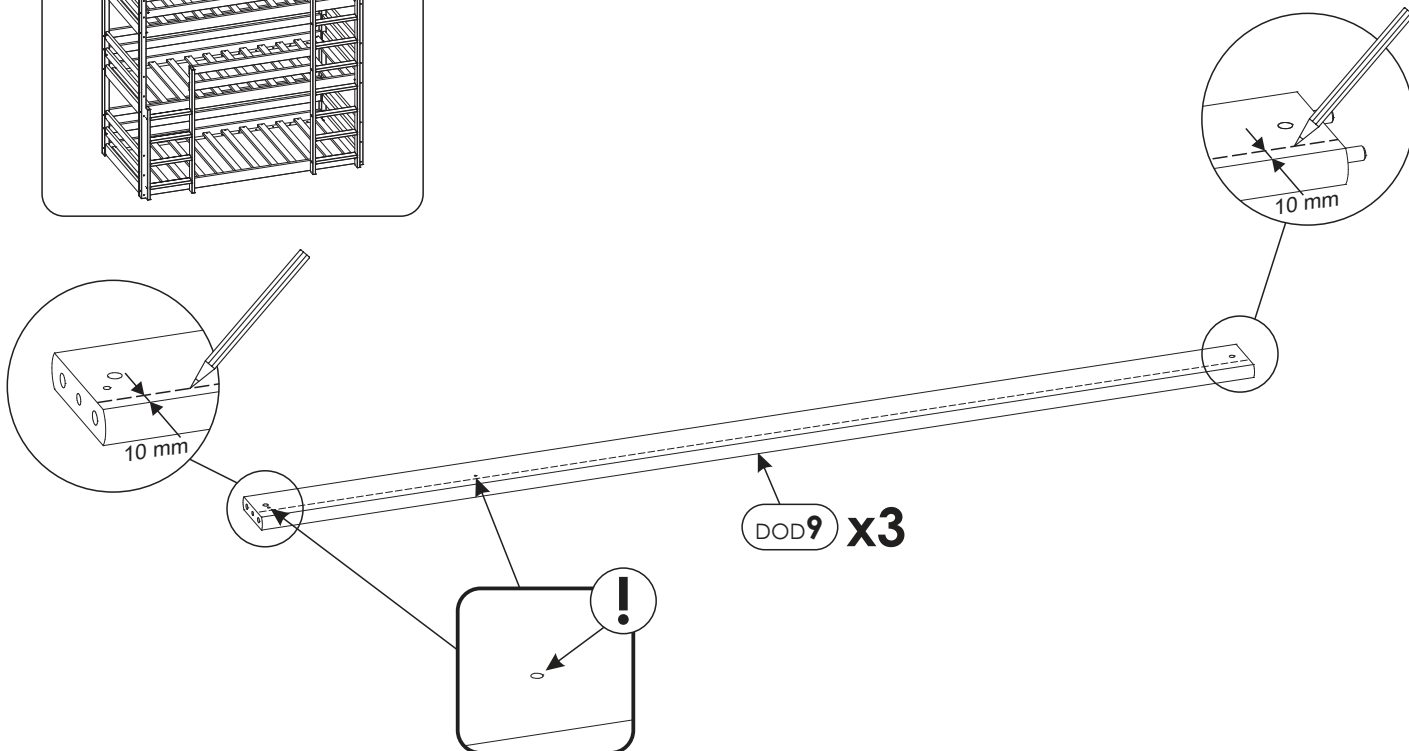
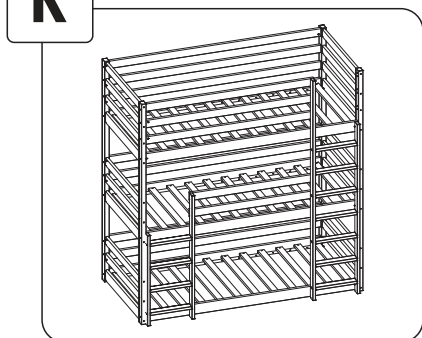


DOD9 x3

---

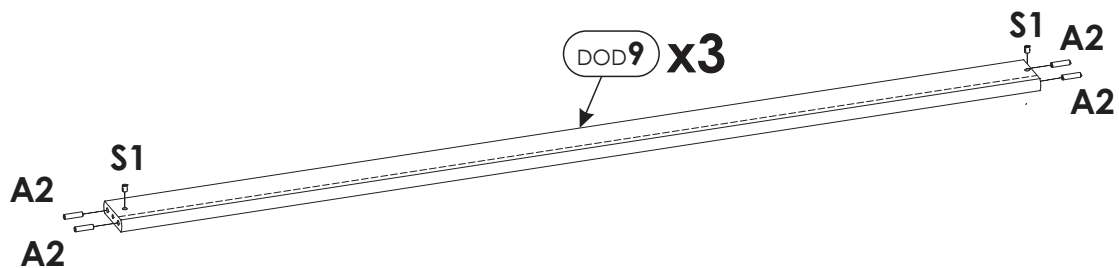
## 16.1

**R**

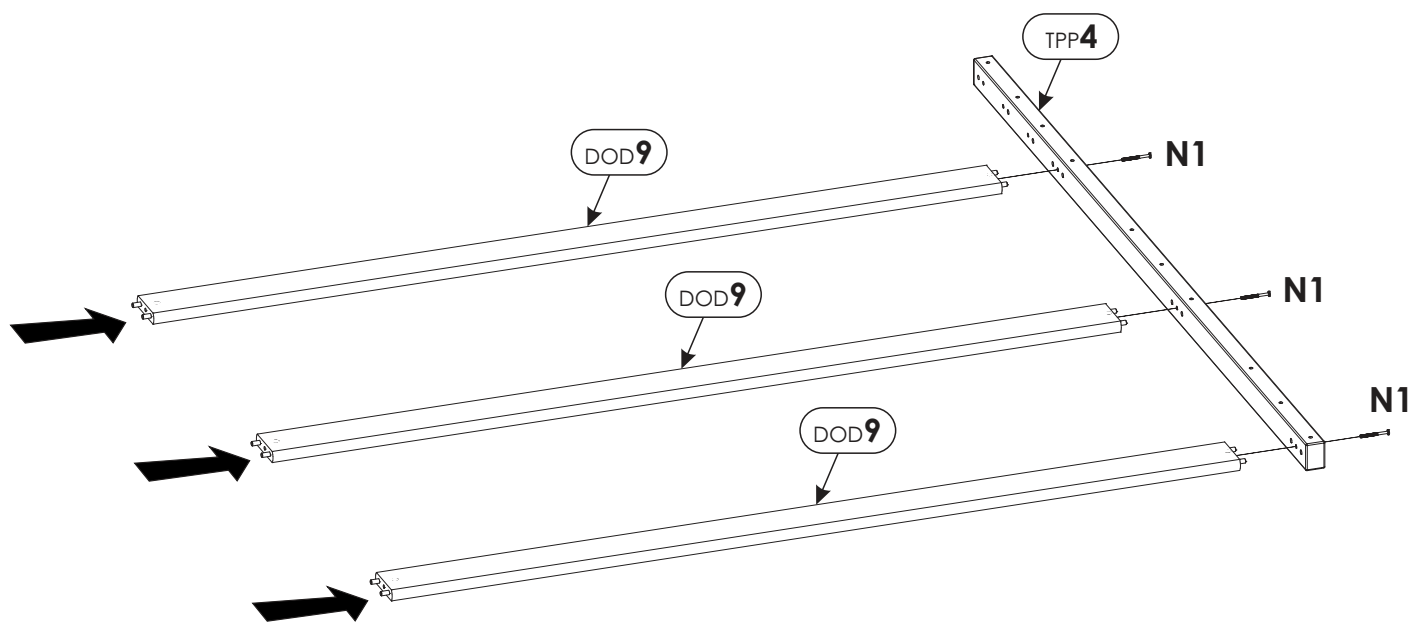


DOD9 x3

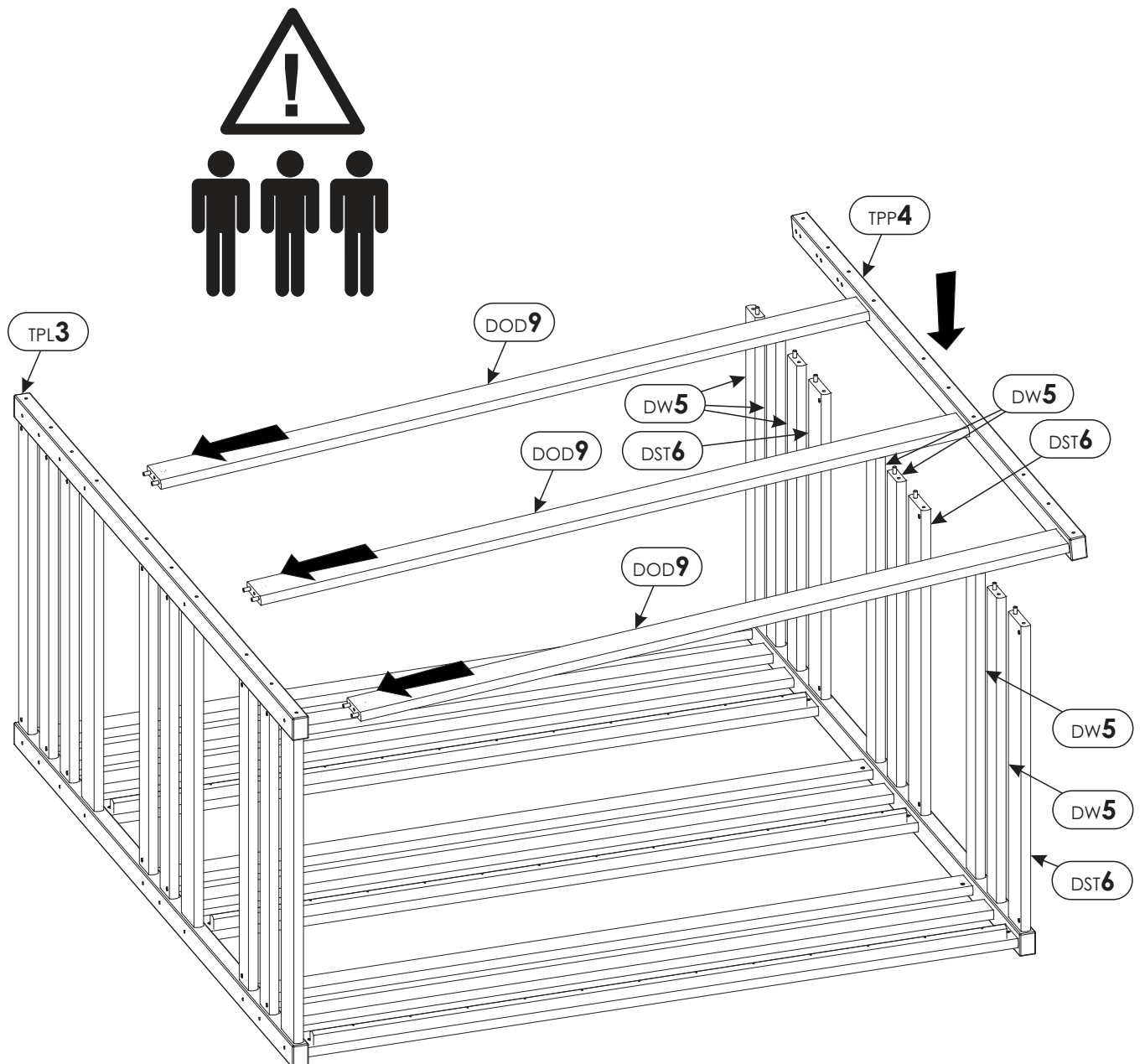
# 11.



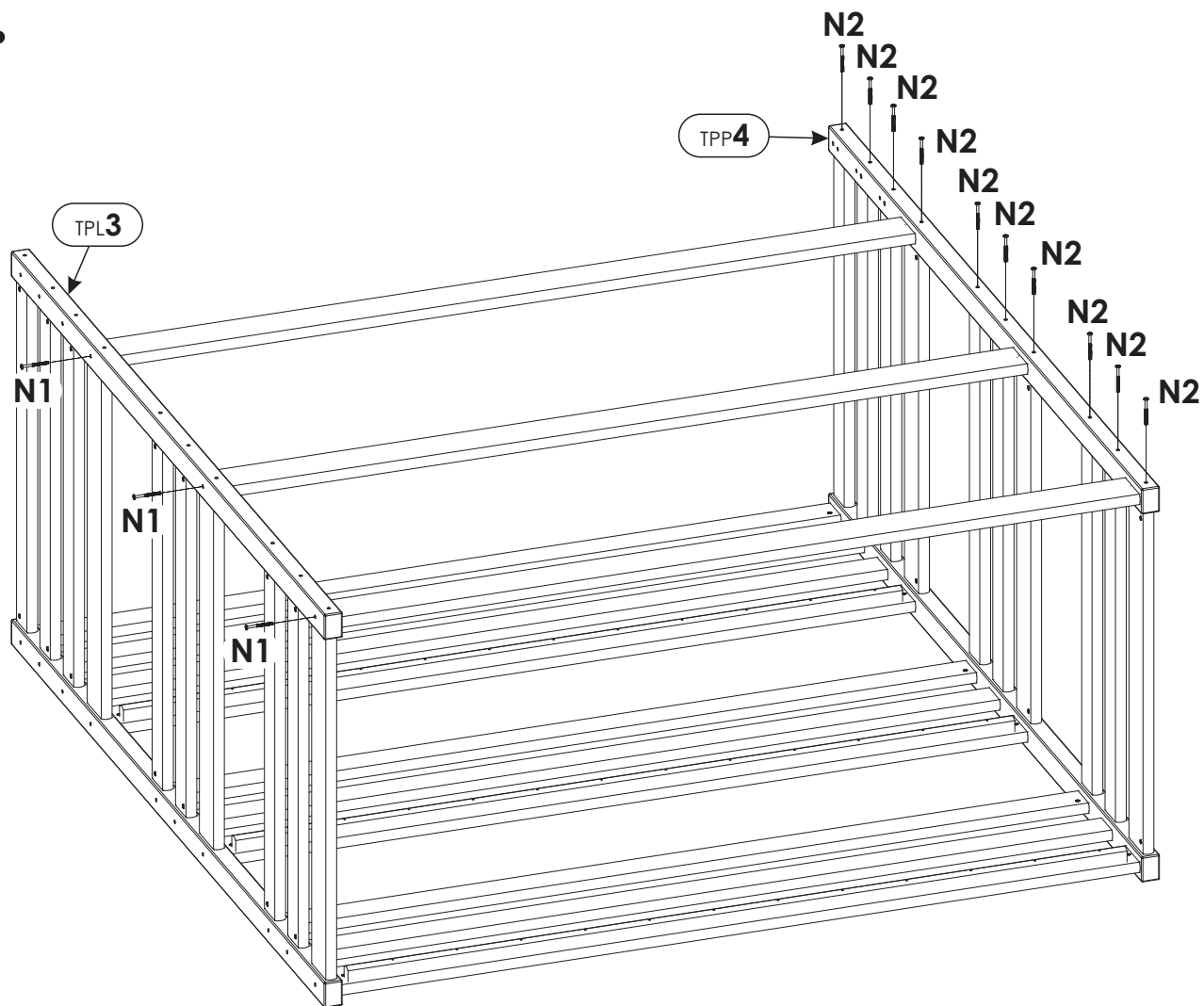
# 12.



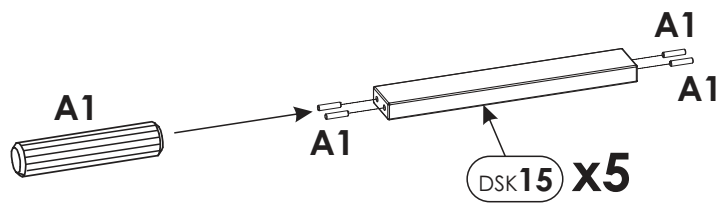
# 13.



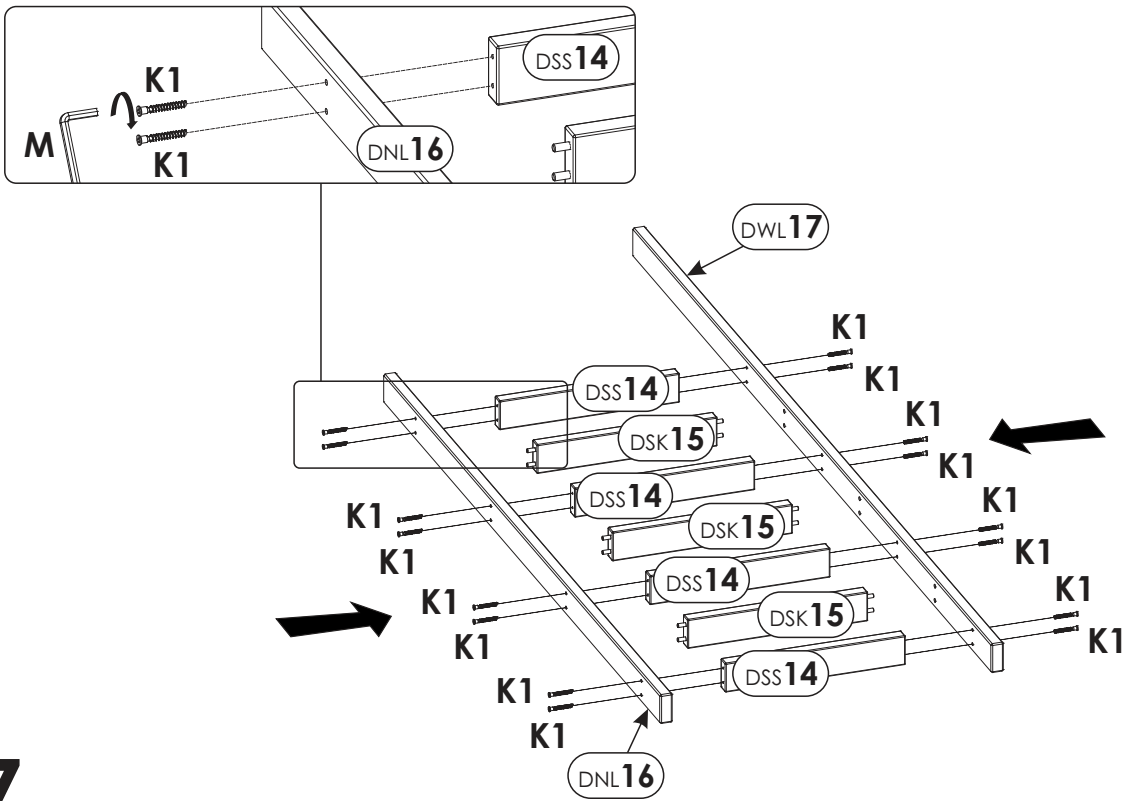
# 14.



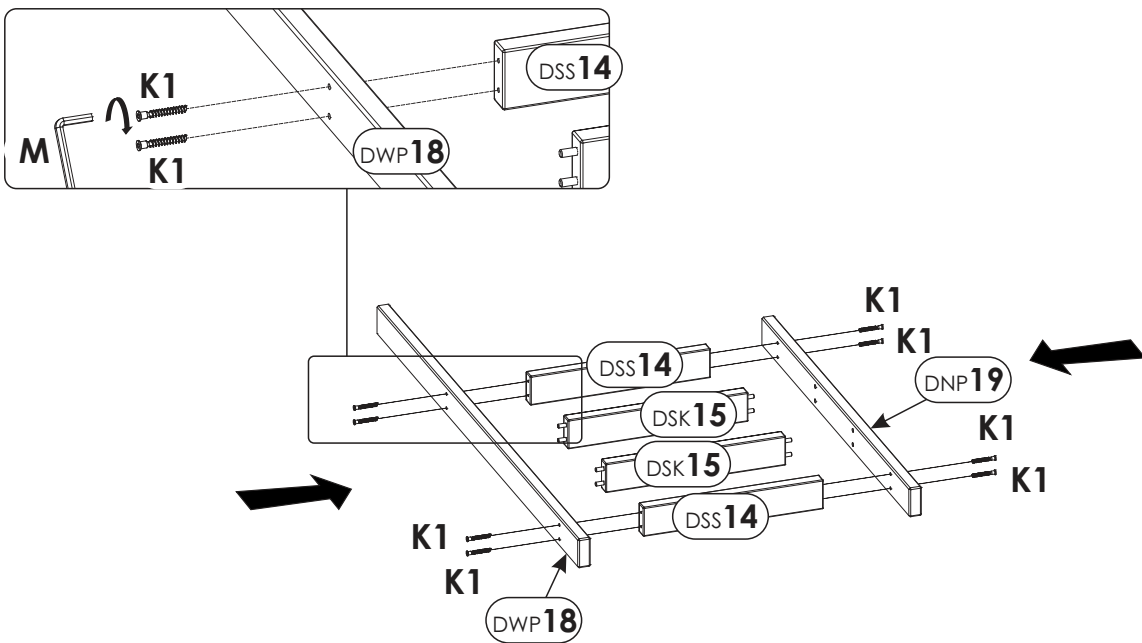
# 15.



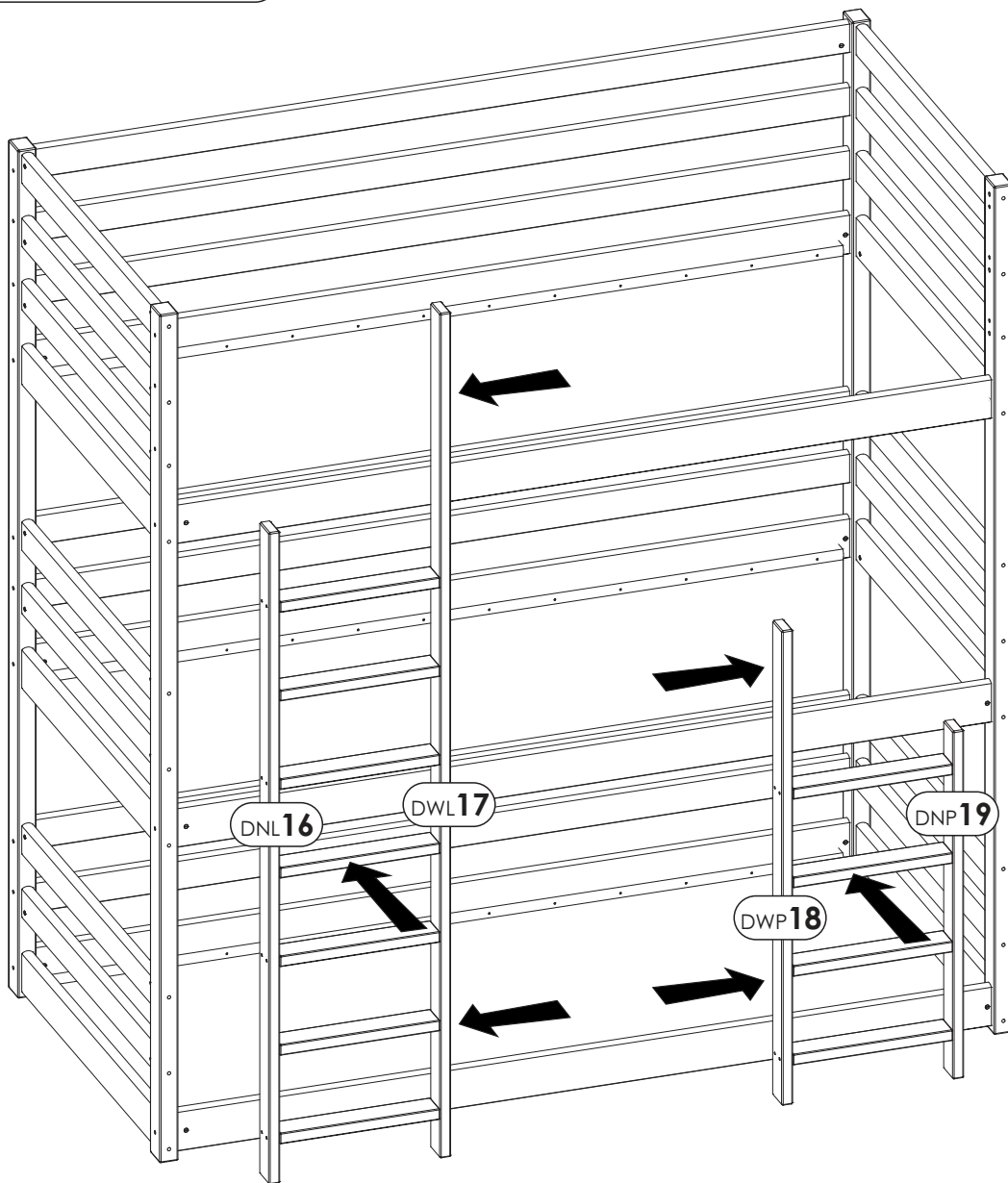
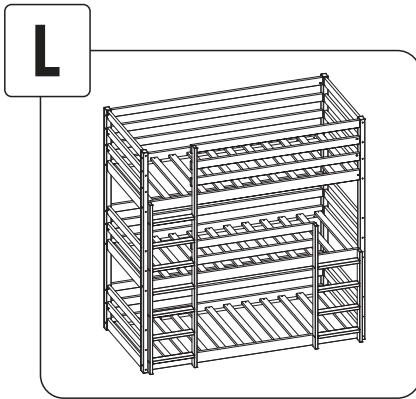
# 16.



# 17.



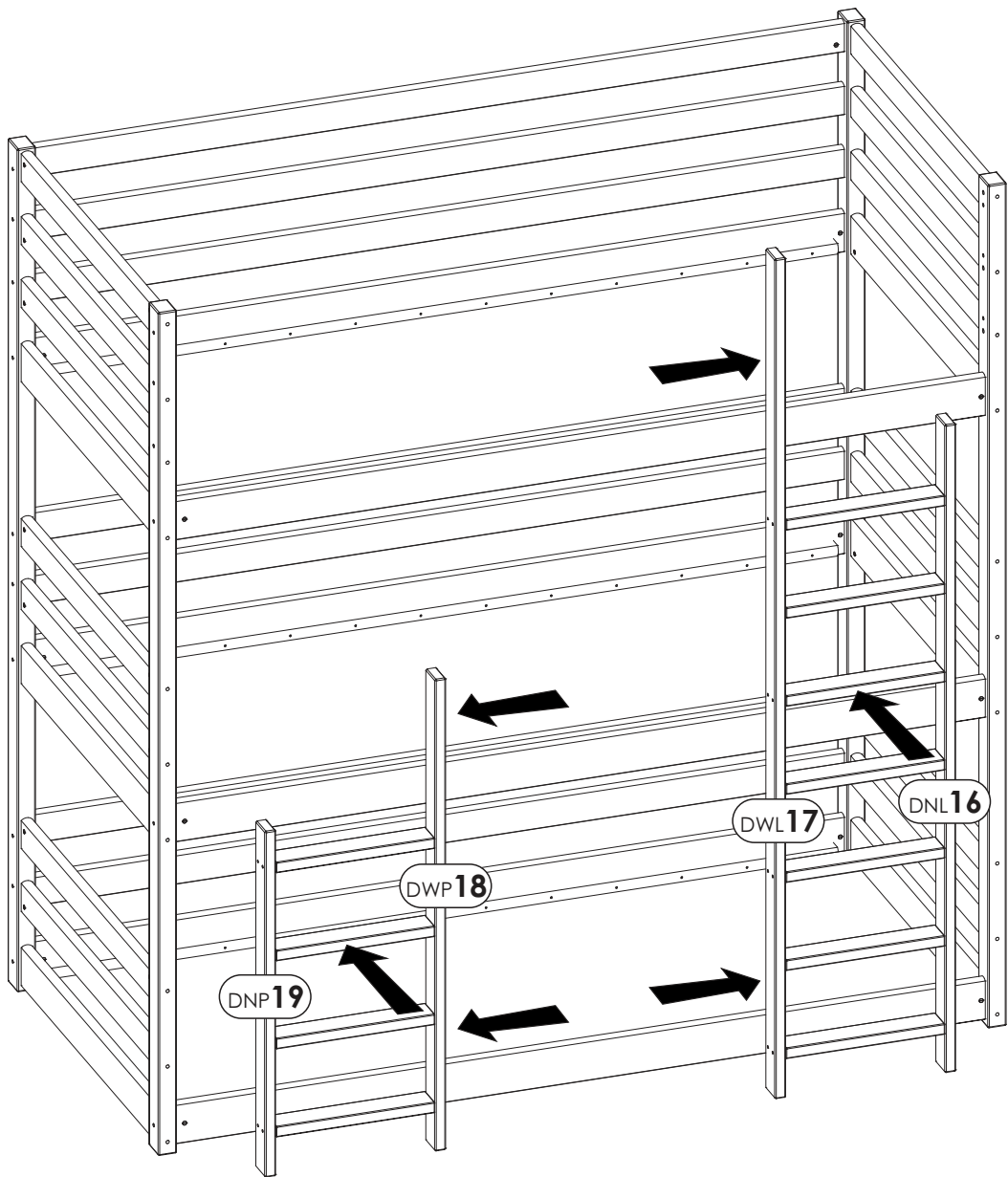
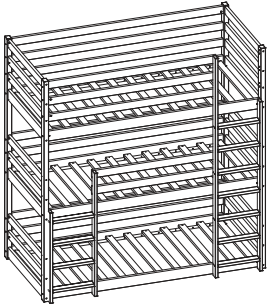
# 18.





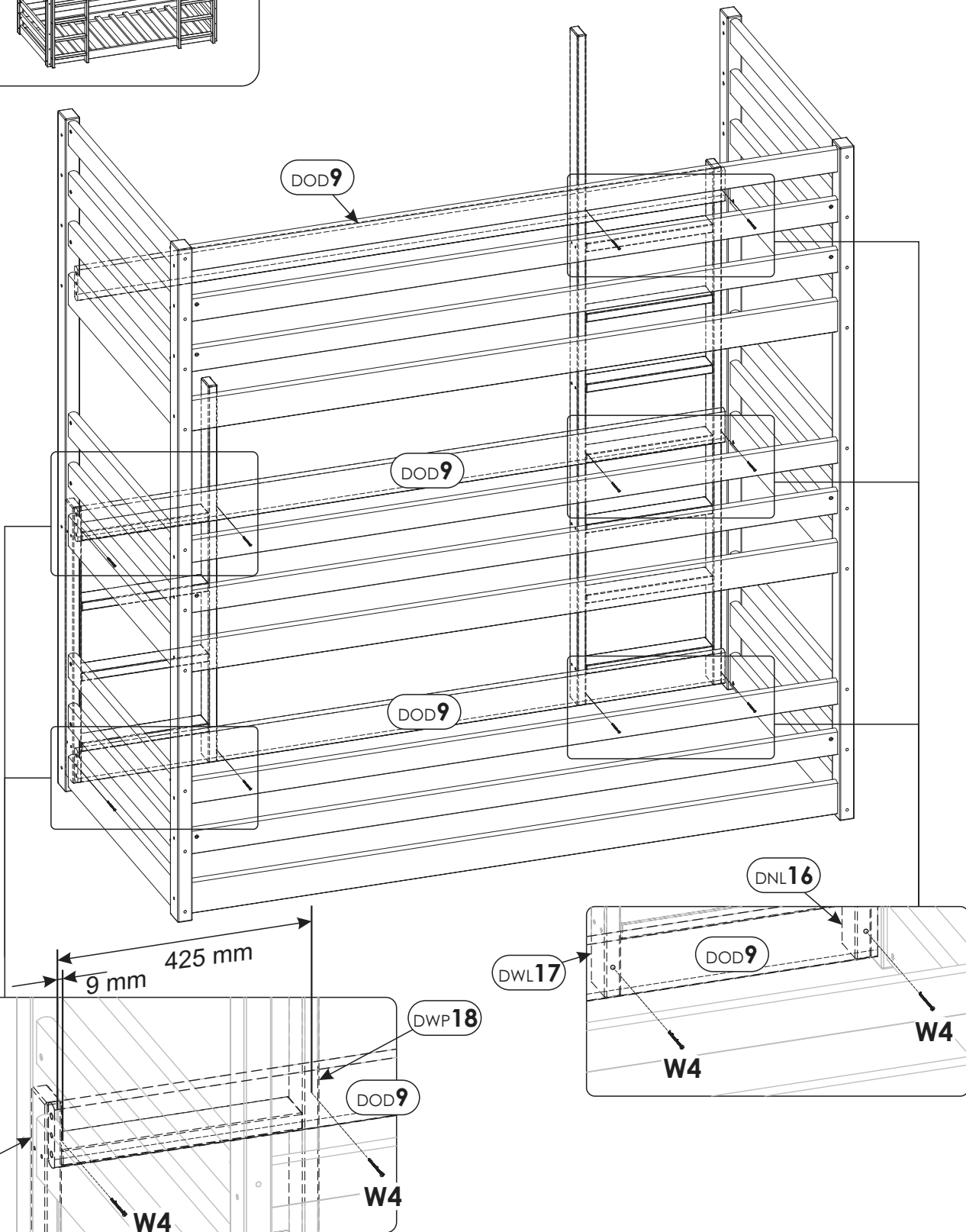
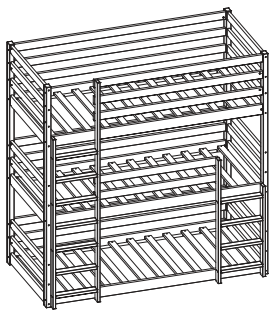
# 19.

**R**



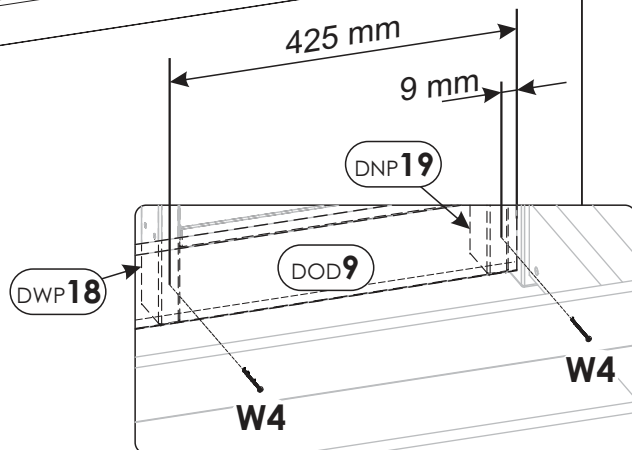
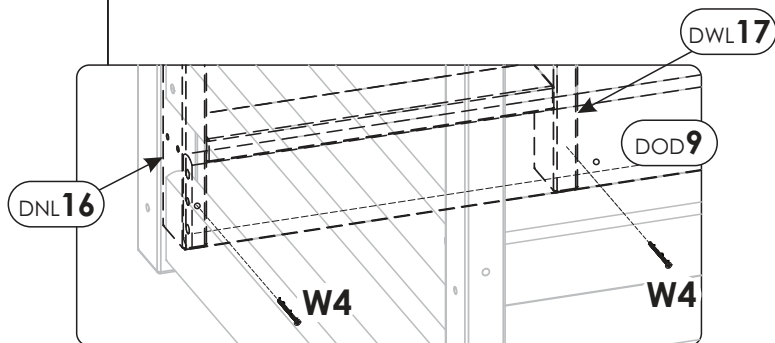
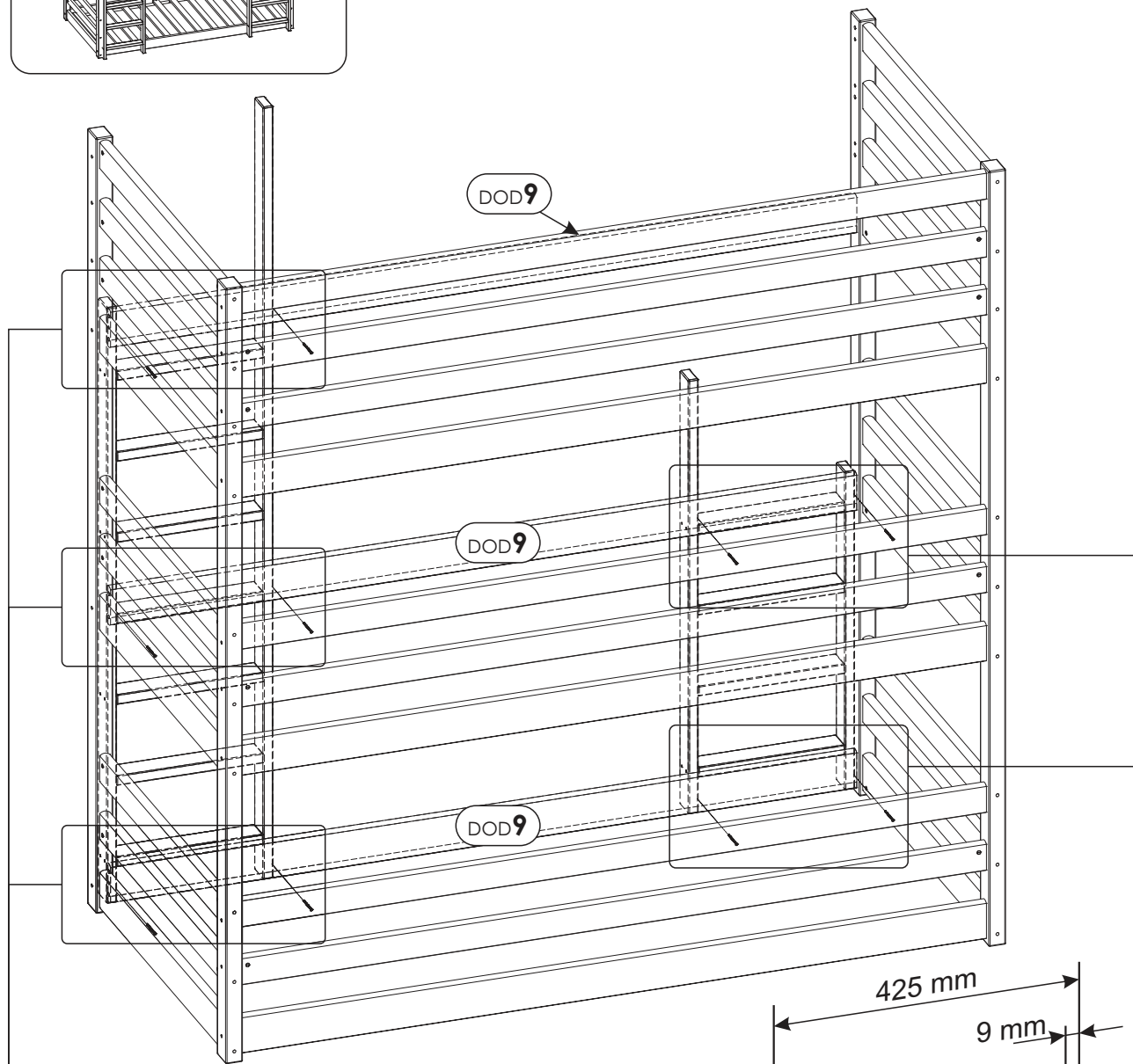
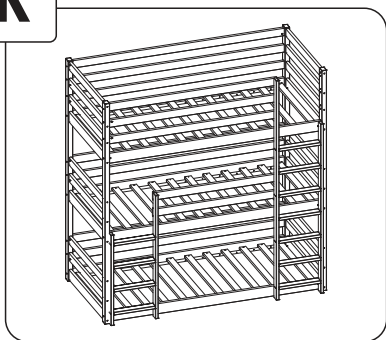
# 20.

## L

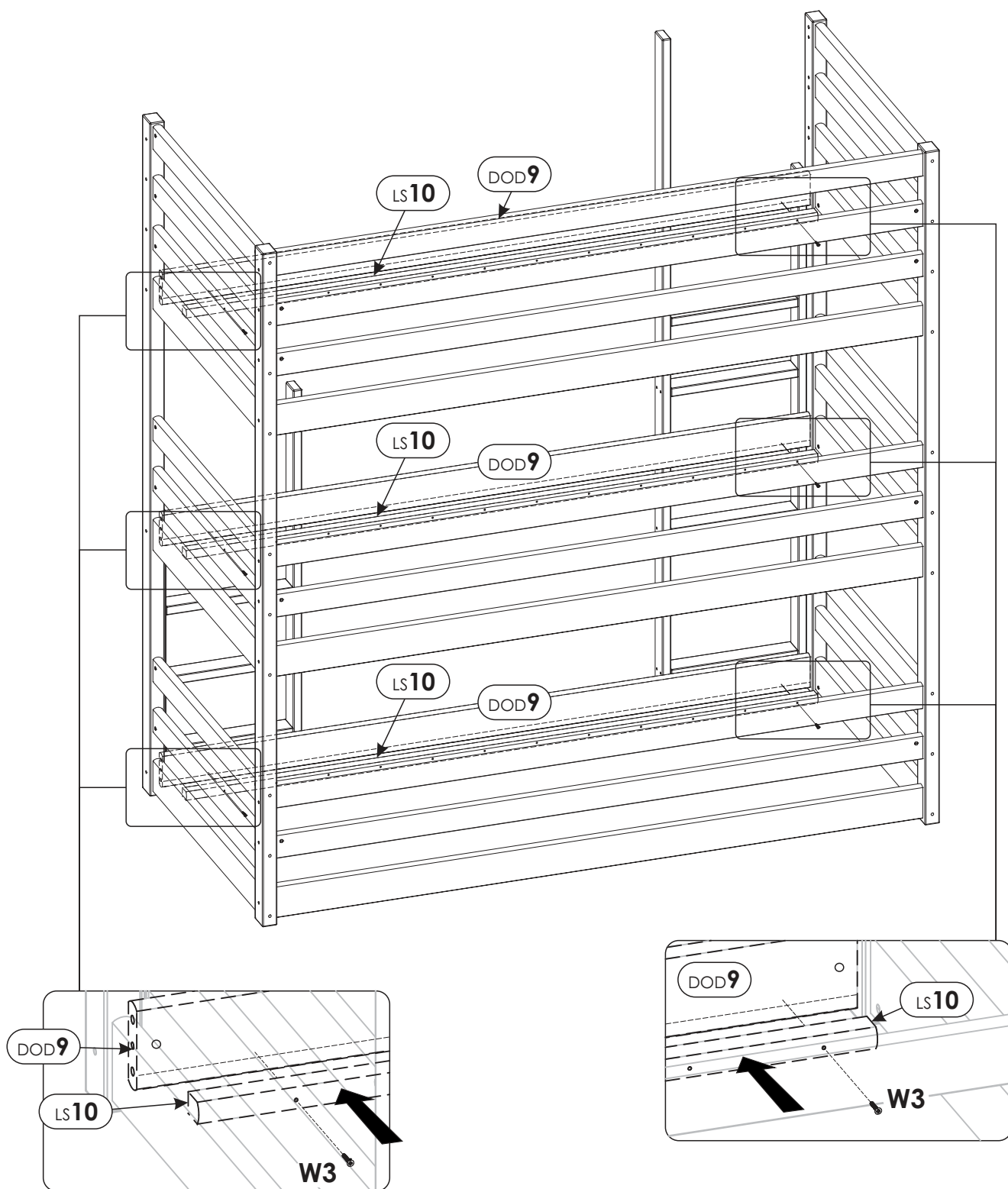


# 21.

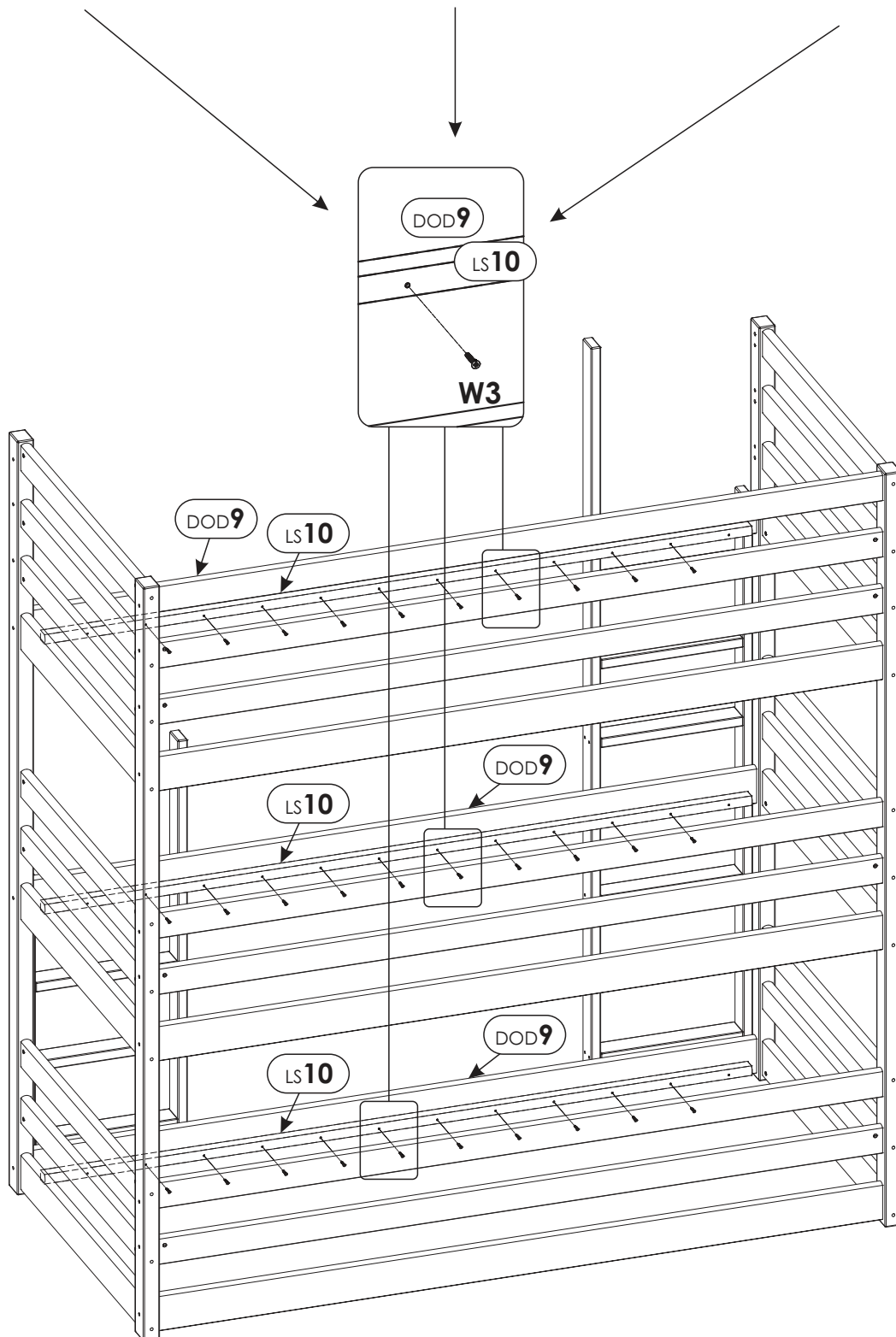
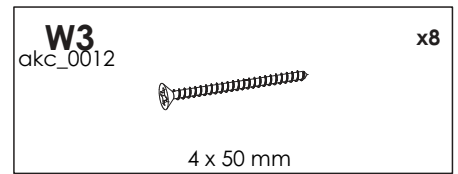
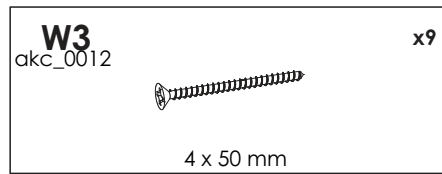
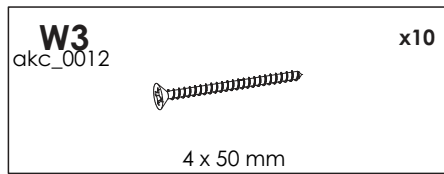
R



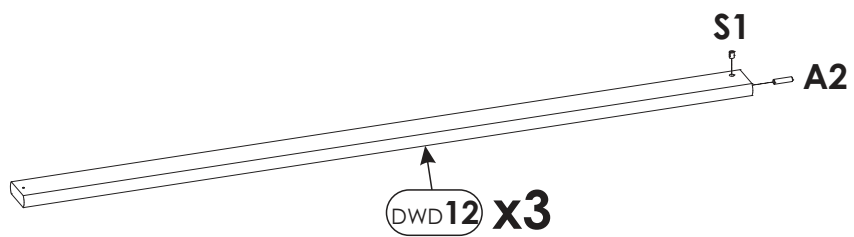
# 22.



# 23.

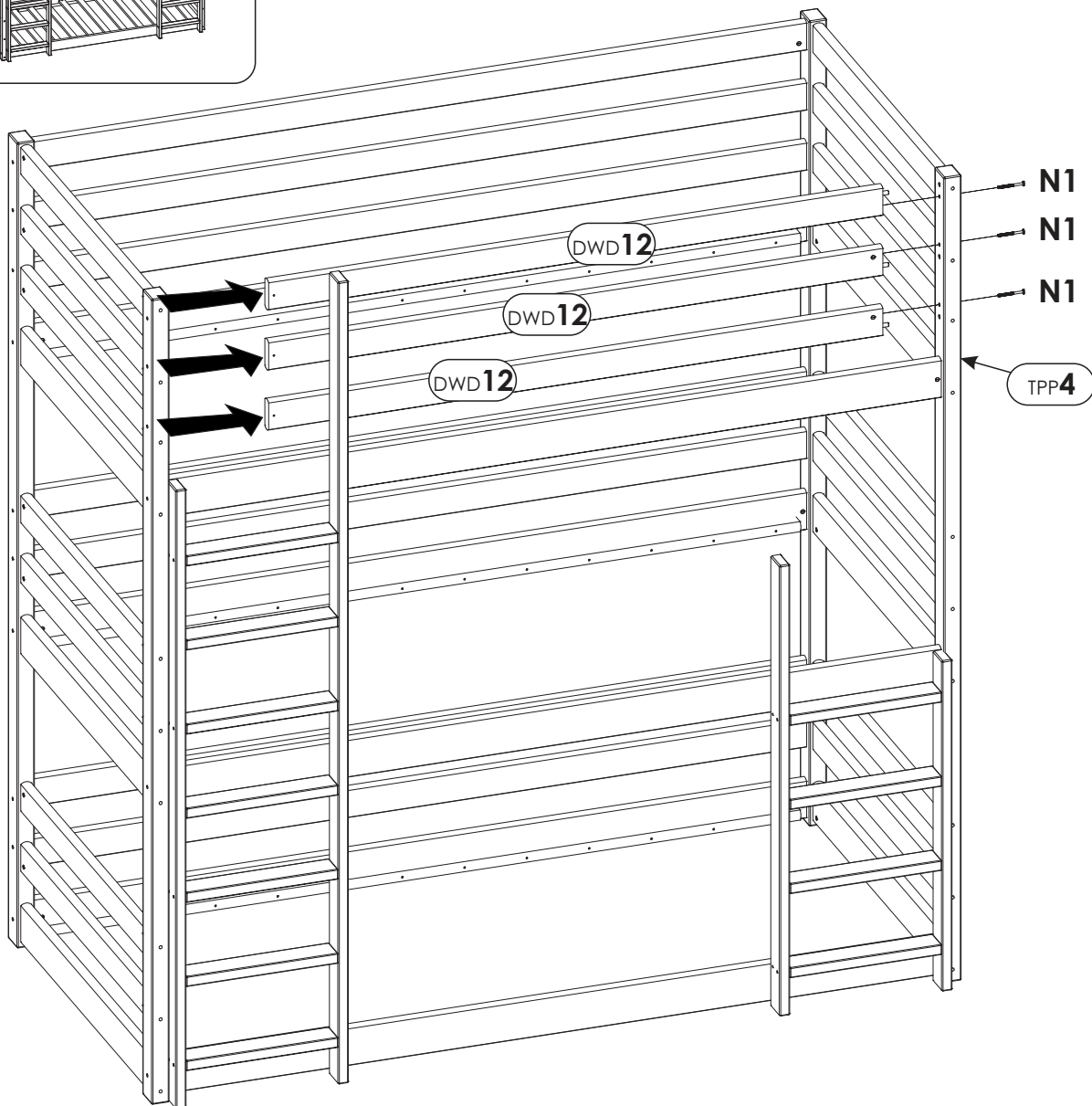
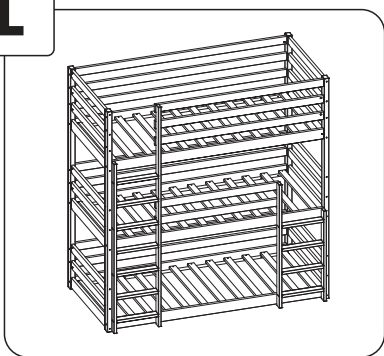


# 24.



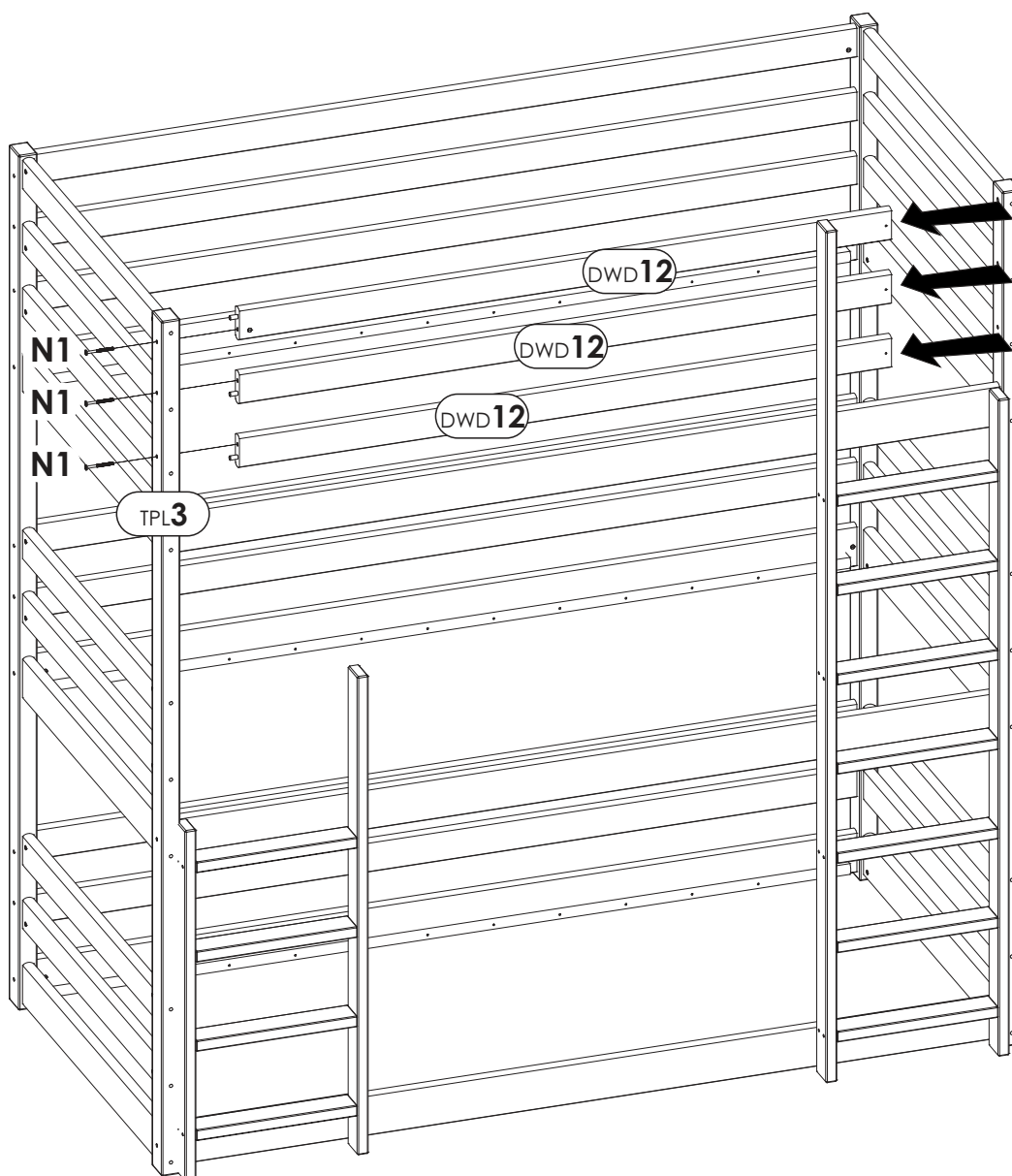
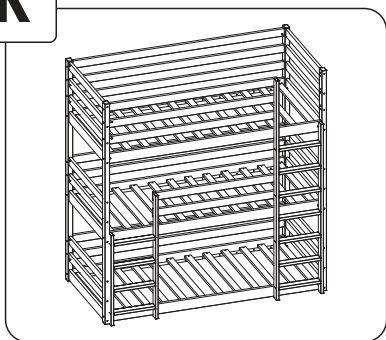
# 25.

**L**



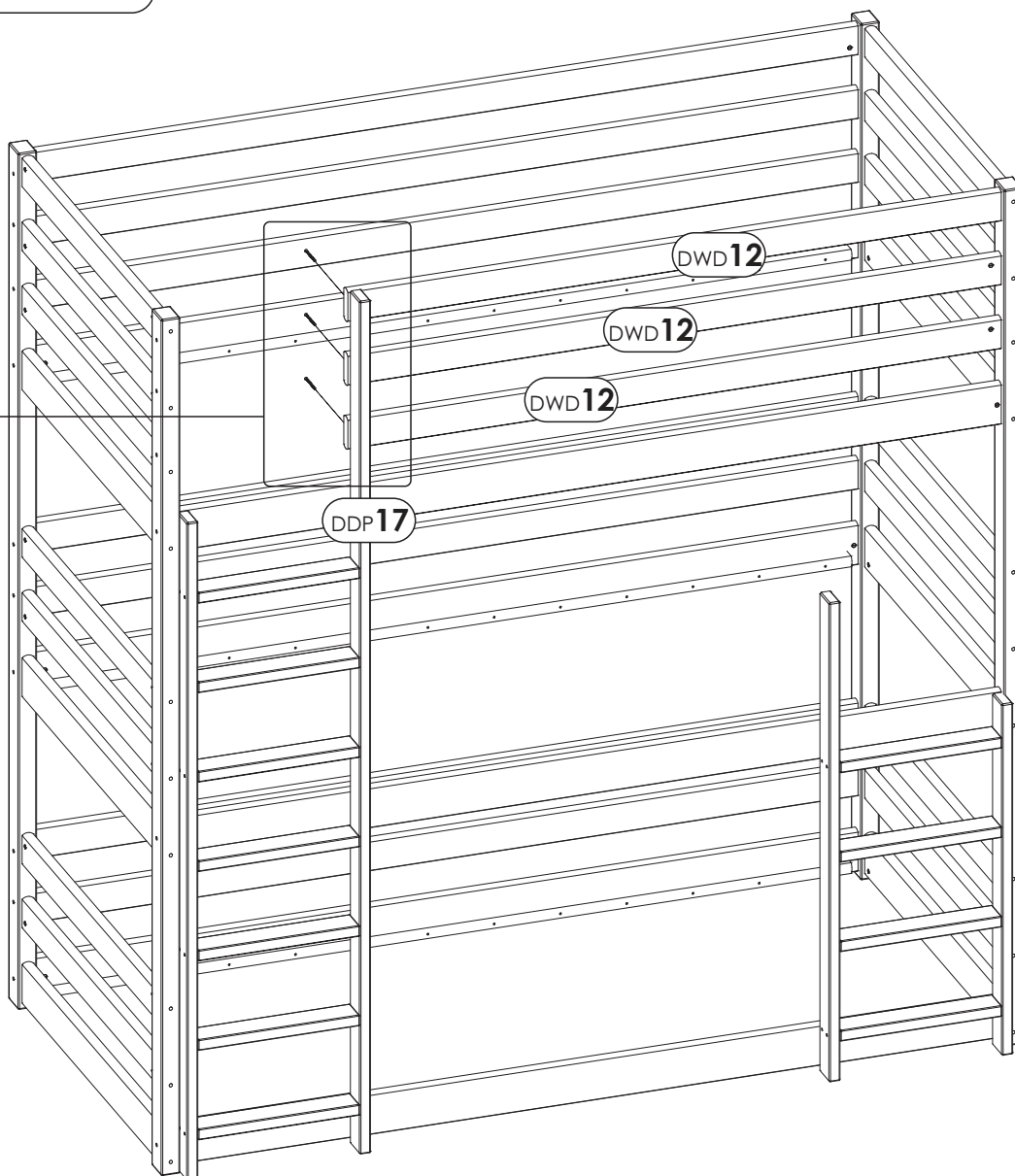
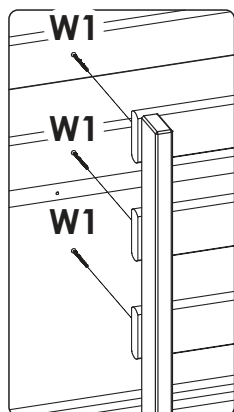
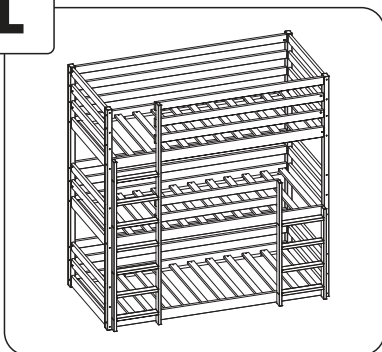
26.

R



27.

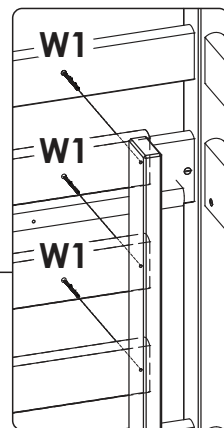
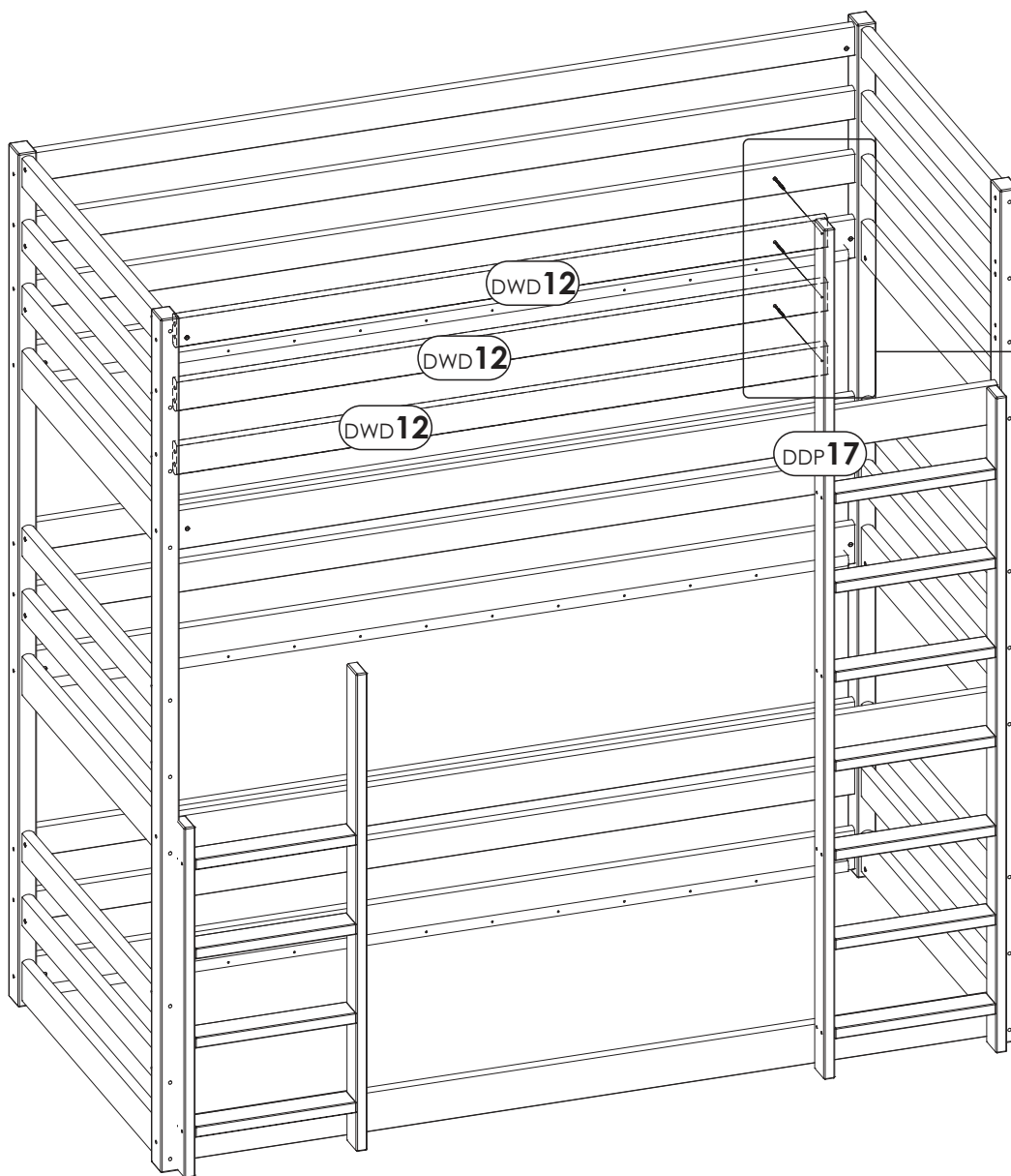
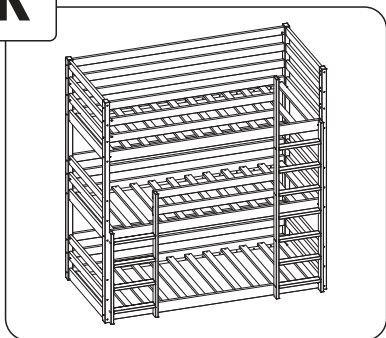
L



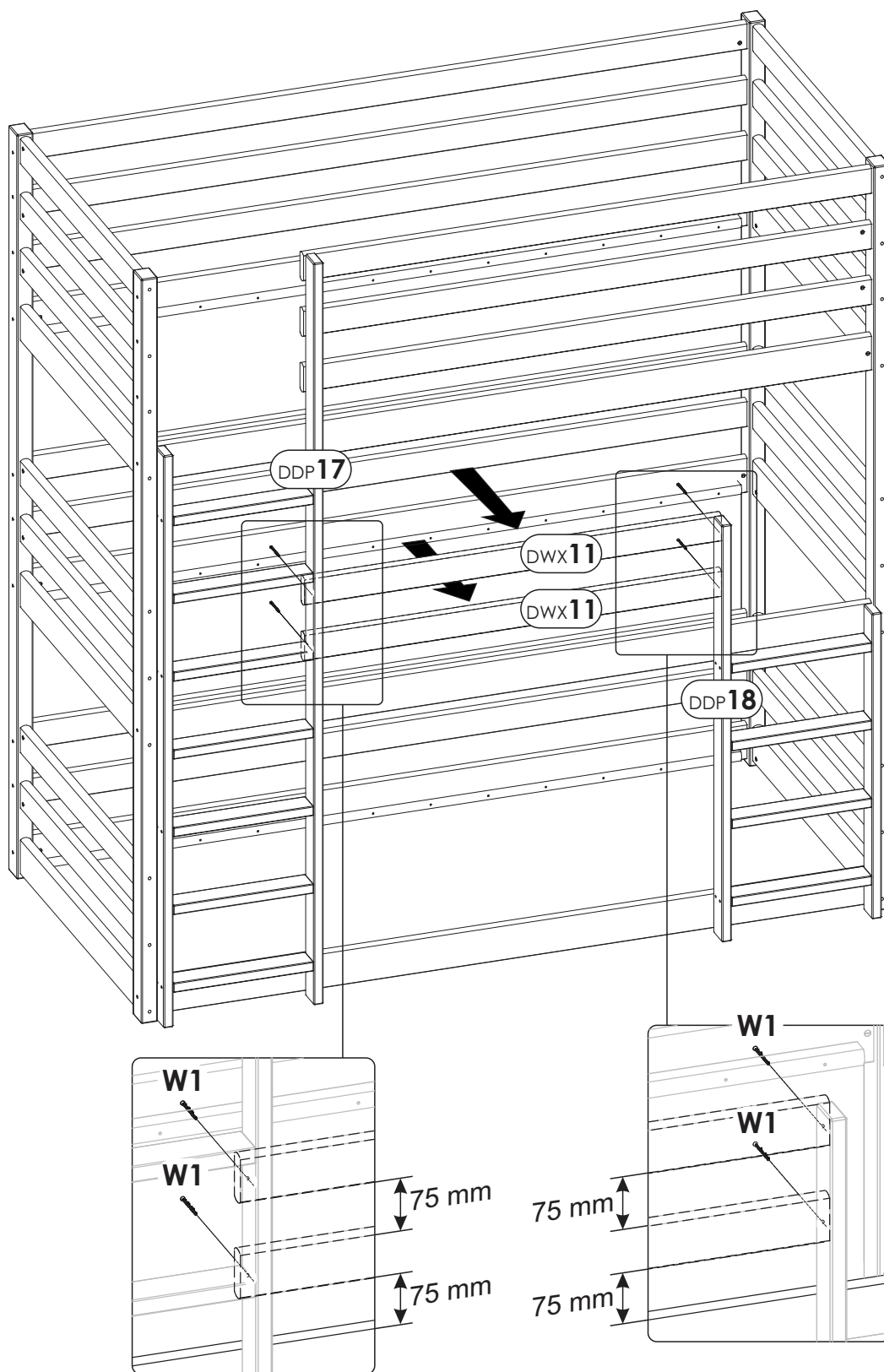


# 28.

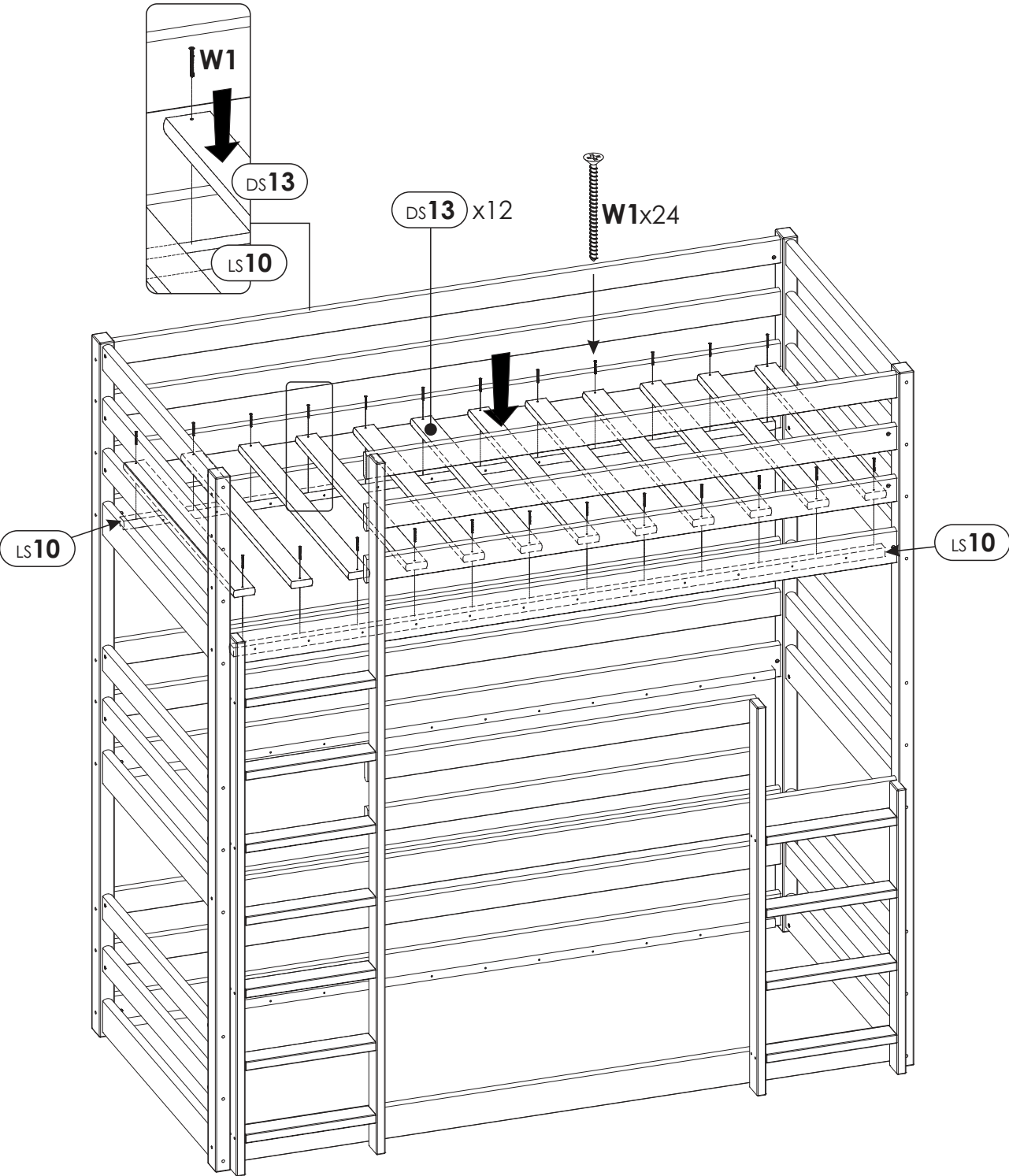
**R**



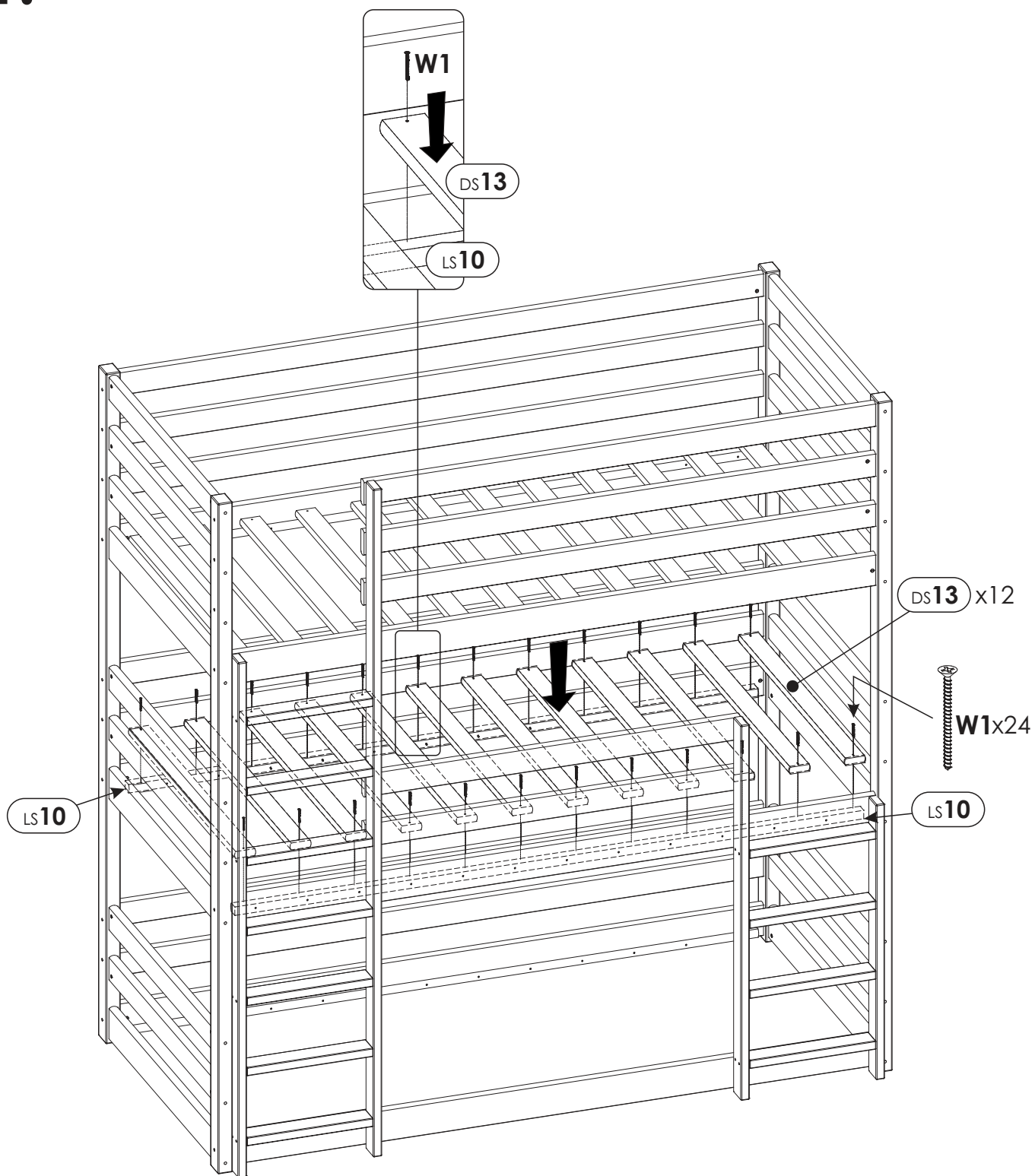
29.



# 30.



# 31.



# 32.

