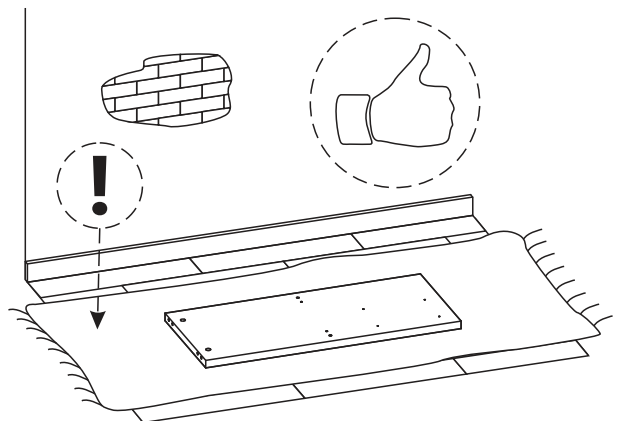
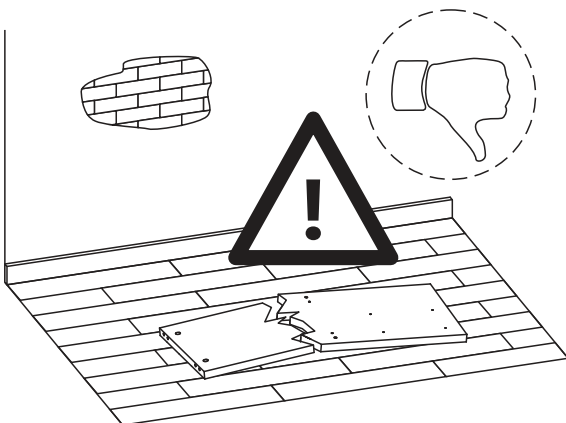
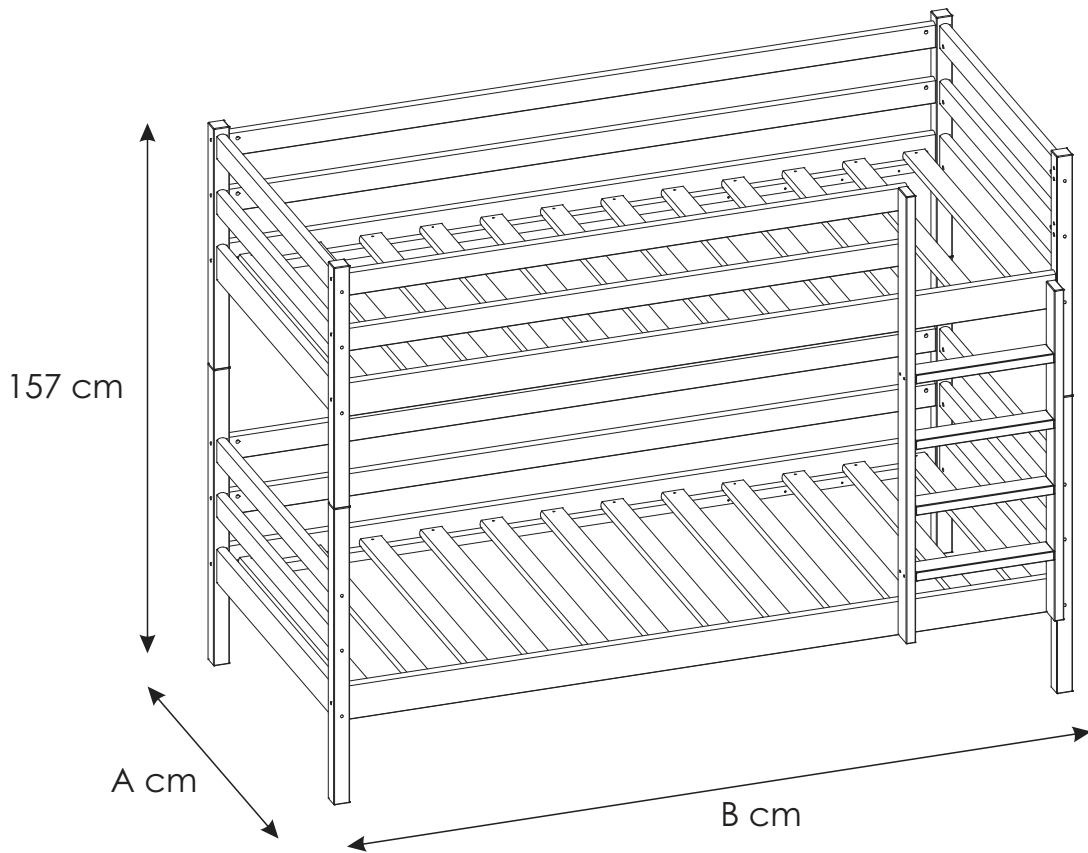
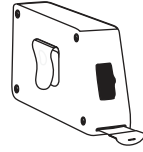
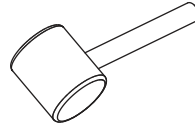
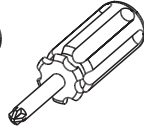
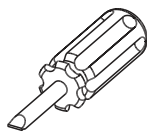
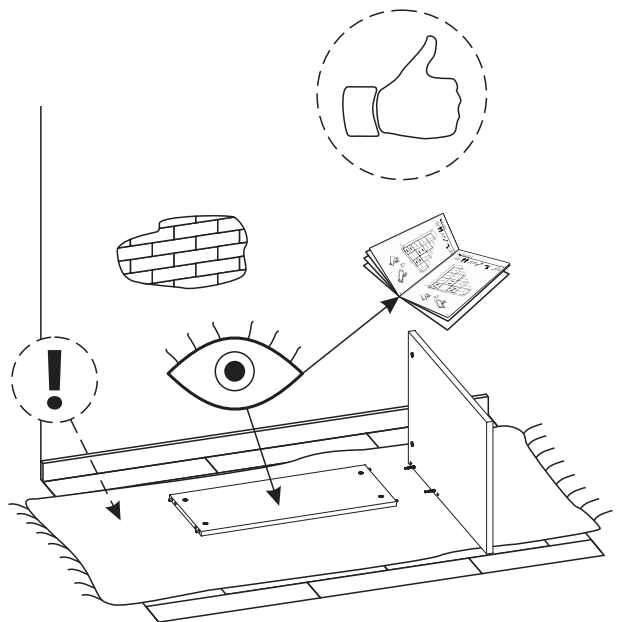
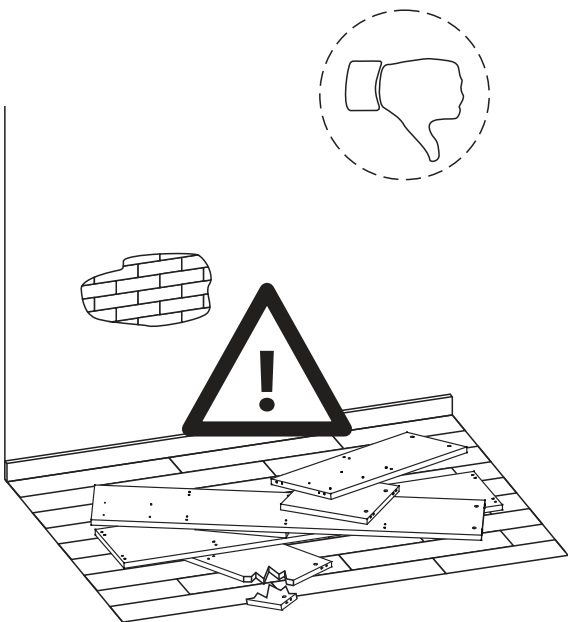
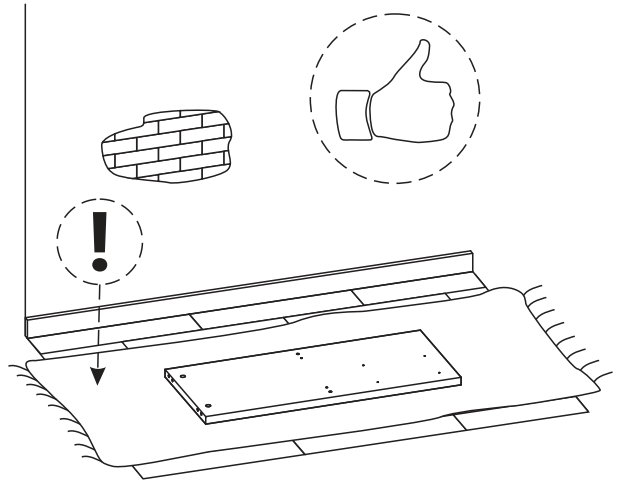
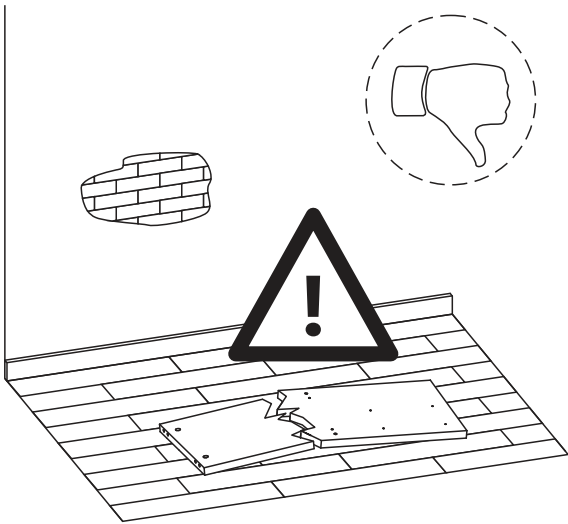
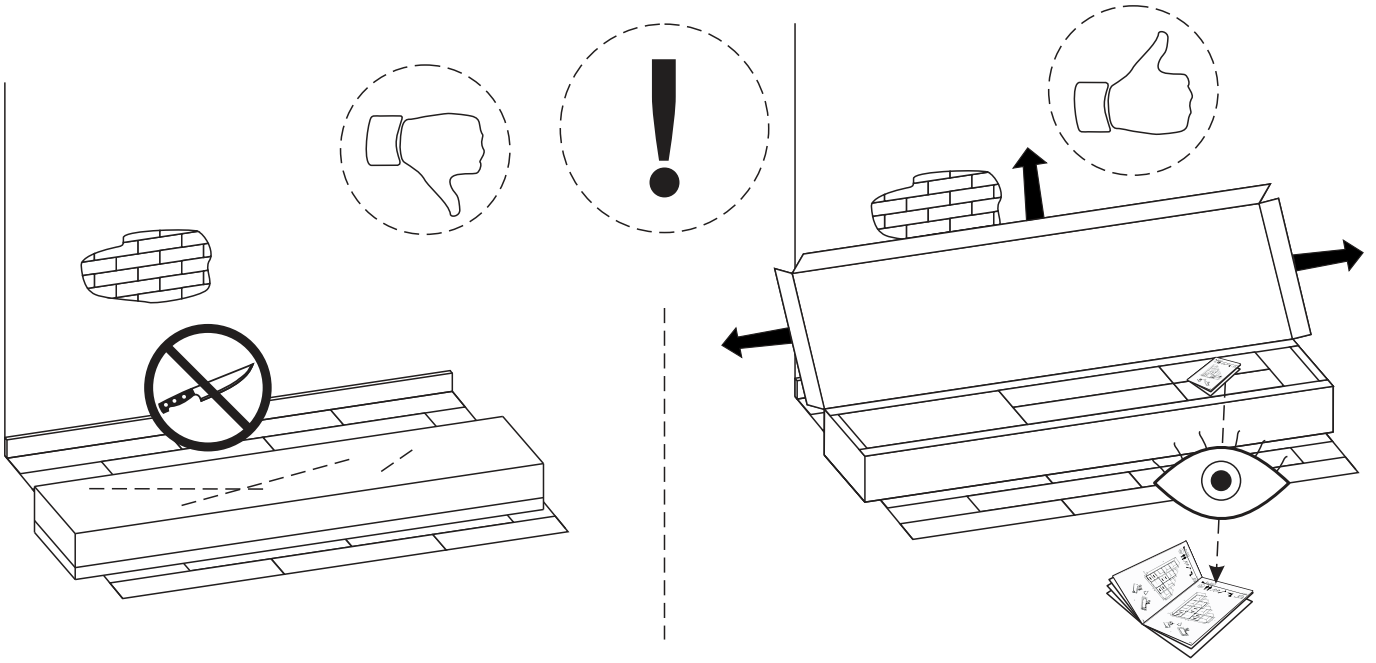
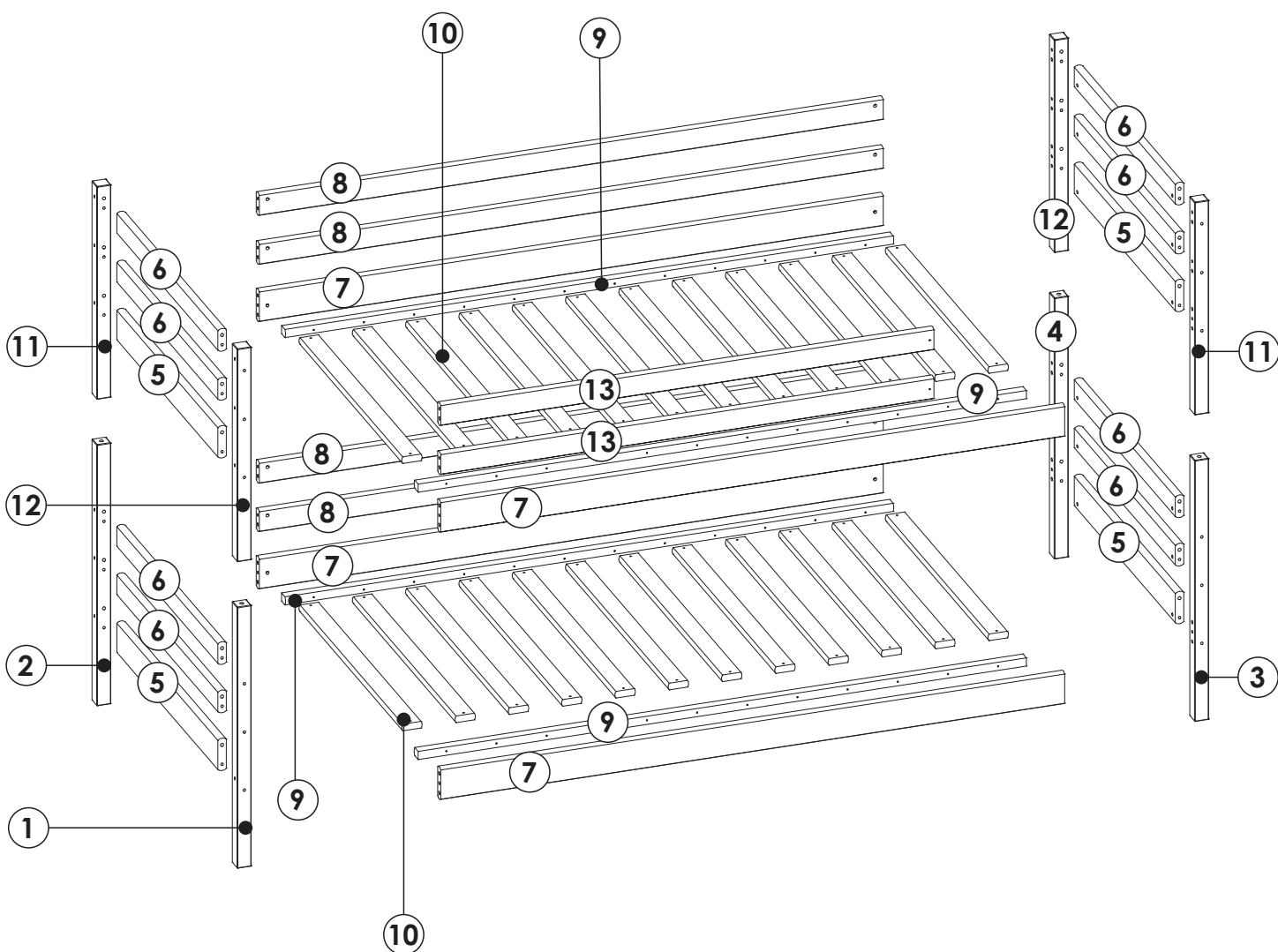
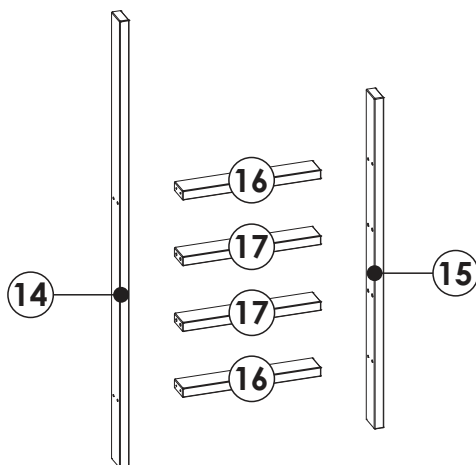
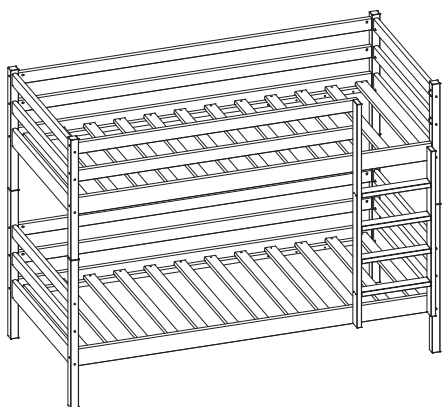


DAWID





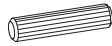
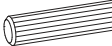



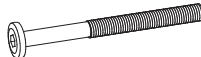


DAWID




DAWID


DPL 1	864	45	45	x1	DNDPL_01200
DTL 2	864	45	45	x1	DNDTL_01220
DPP 3	864	45	45	x1	DNDPP_01190
DTP 4	864	45	45	x1	DNDTP_01210
DST 5	685, 785, 885	107	27	x4	DST_00120
DW 6	685, 785, 885	75	27	x8	DW75_00930
DN 7	1390,1590, 1690,1790, 1890, 1990	107	27	x4	DN_00110
DW 8	1390,1590, 1690,1790, 1890, 1990	75	27	x4	DW75_00930
LS 9	1340,1540, 1640,1740, 1840, 1940	35	27	x4	LS_00160
PLT 11	704	45	45	x2	DNPPLT_01180
PPT 12	704	45	45	x2	DNLPPT_01170
DD 13	973, 1173, 1273, 1373, 1473, 1573	75	27	x2	DW75DD_00940
DDP 14	1305	65	27	x1	DDP4S_00630
DDP 15	965	65	27	x1	DDP4S_00620
DSS 16	390	65	27	x2	DSS_00210
DSK 17	390	65	27	x2	DSK_00220

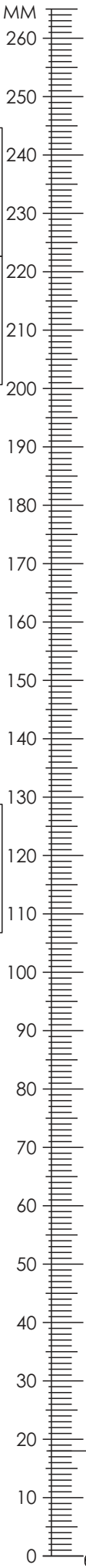
DAWID

<p>A1 akc_0001</p>  <p>8 x 35 mm</p> <p style="text-align: right;">x8</p>	<p>A2 akc_0002</p>  <p>10 x 40 mm</p> <p style="text-align: right;">x50</p>	<p>A3 akc_0003</p>  <p>12 x 60 mm</p> <p style="text-align: right;">x4</p>
<p>K1 akc_0004</p>  <p>6,4 x 50 mm</p> <p style="text-align: right;">x8</p>	<p>M akc_0005</p>  <p style="text-align: right;">x1</p>	<p>N1 akc_0006</p>  <p>6 x 80 mm</p> <p style="text-align: right;">x42</p>
<p>S1 akc_0008</p>  <p>10 x 16 mm</p> <p style="text-align: right;">x42</p>	<p>W4 akc_0012</p>  <p>4 x 60 mm</p> <p style="text-align: right;">x6</p>	

----- **OPTION** -----

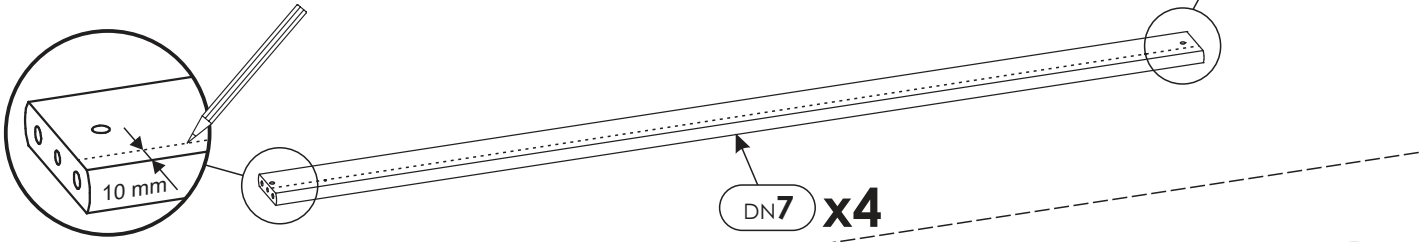
<p>W1 akc_0009</p>  <p>3,5 x 40 mm</p> <p style="text-align: right;">40 < x < 60</p>

<p>W3 akc_0011</p>  <p>4 x 50 mm</p> <p style="text-align: right;">40 < x < 48</p>

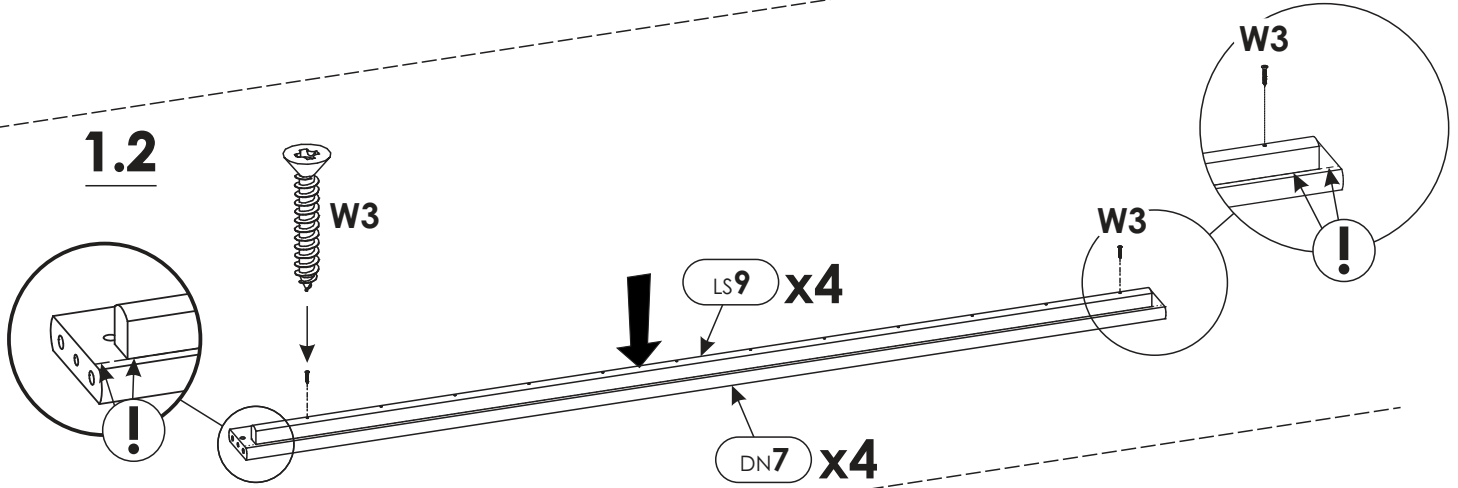


1.

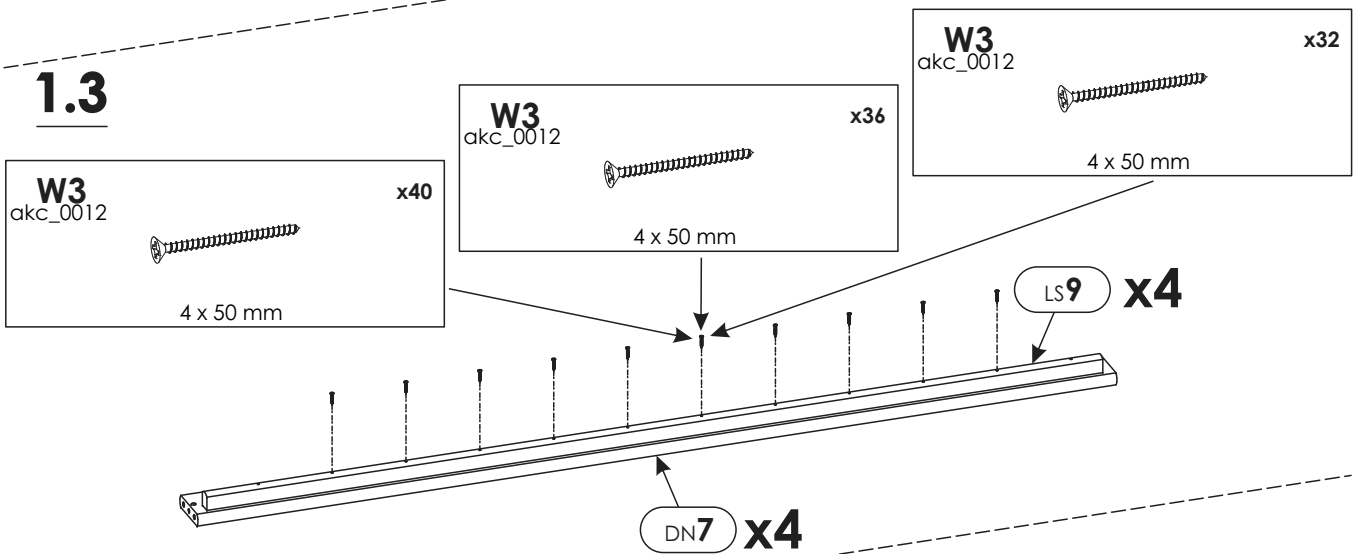
1.1



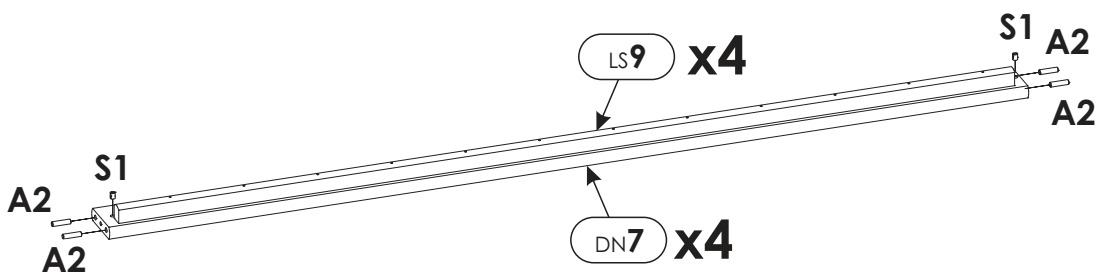
1.2



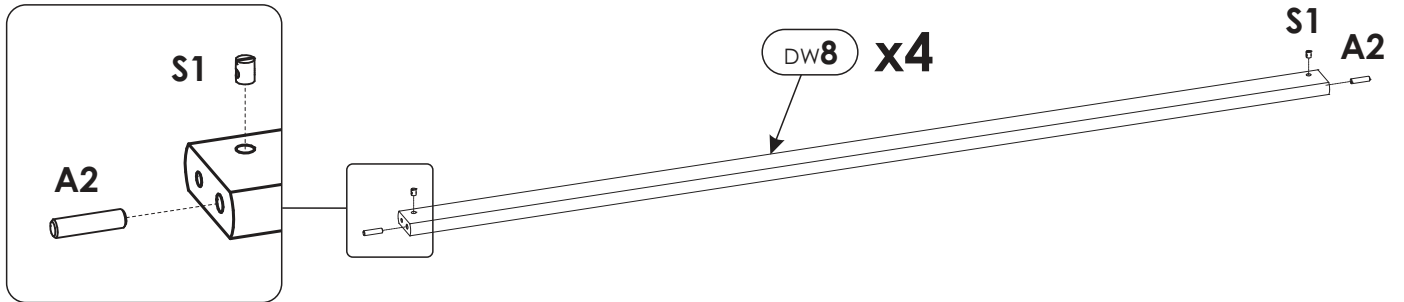
1.3



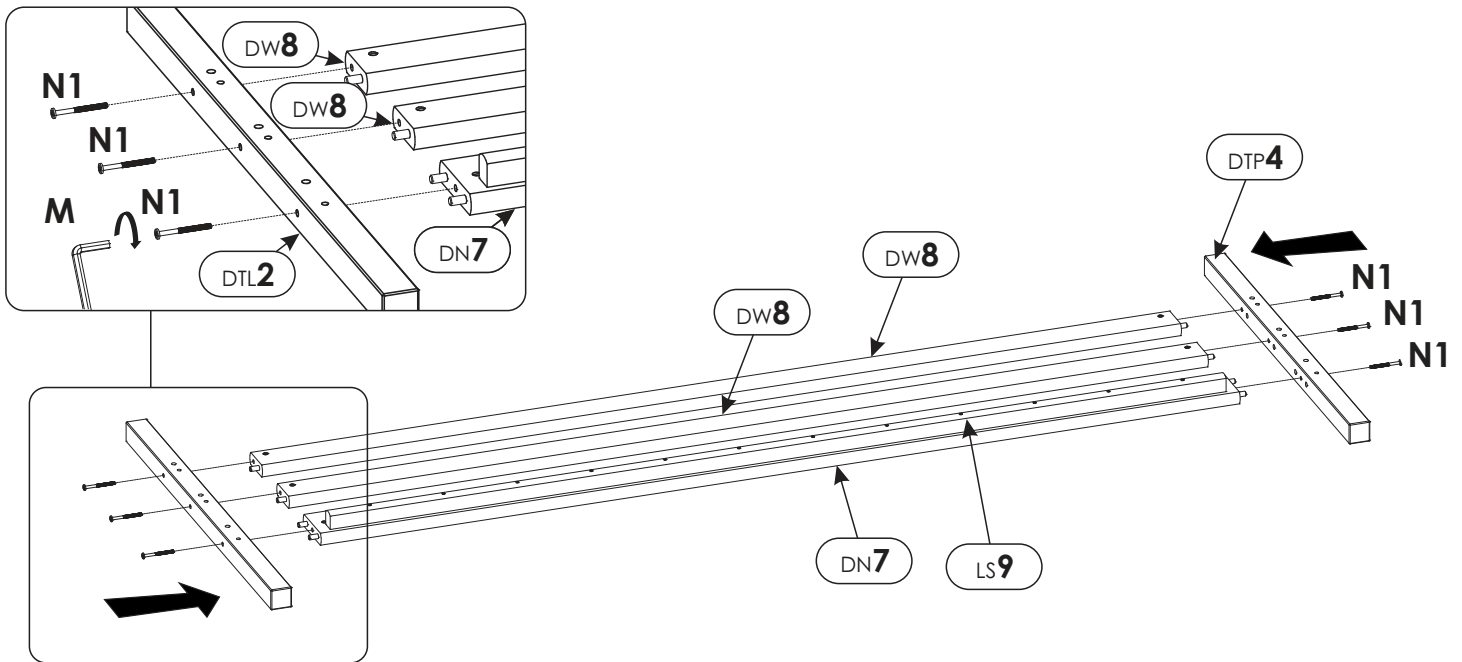
1.4



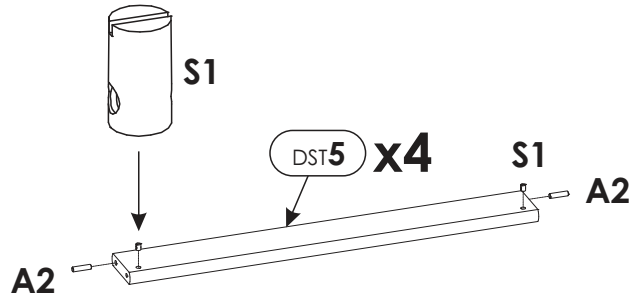
2.



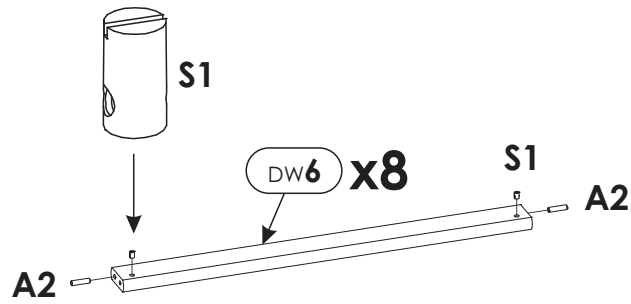
3.



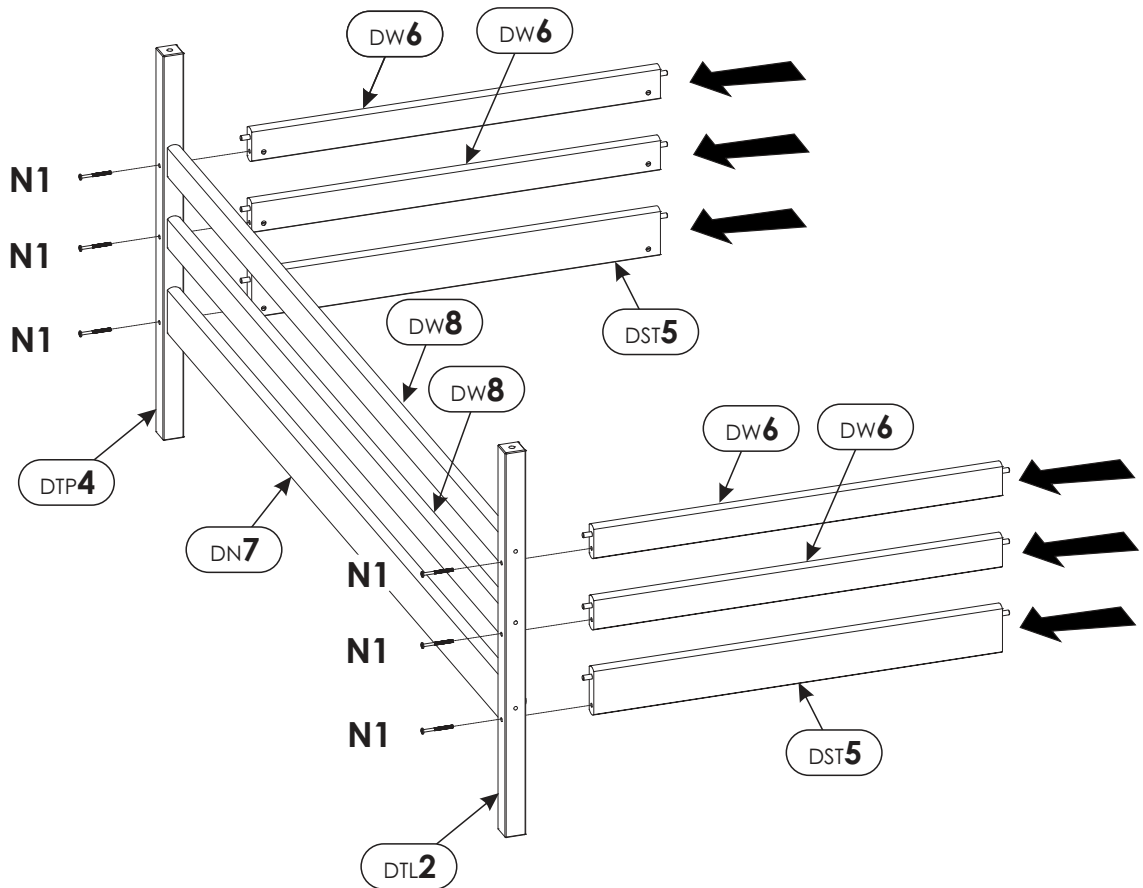
4.



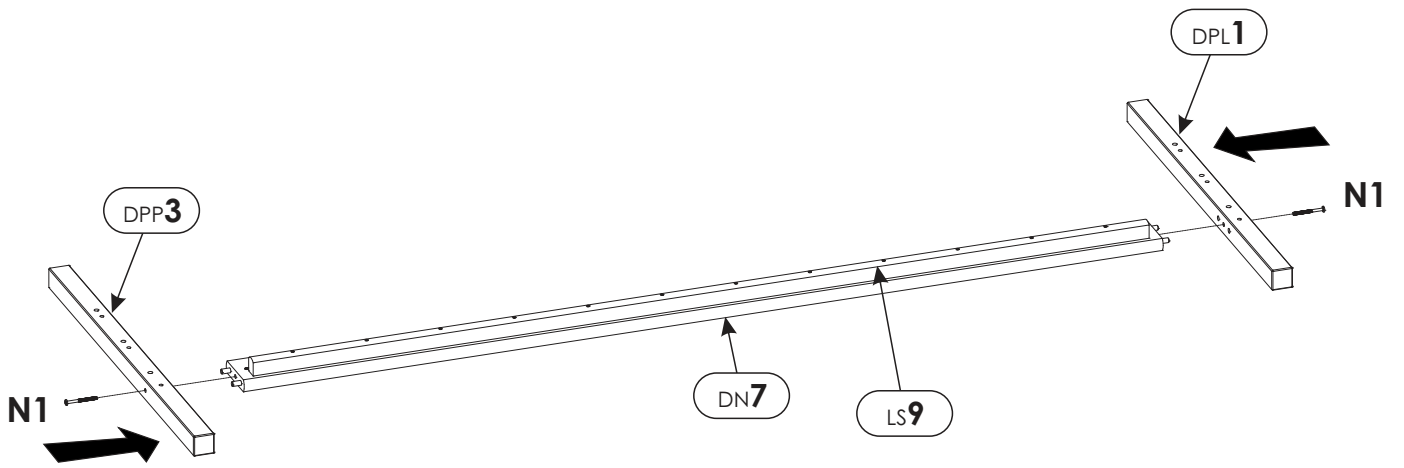
5.



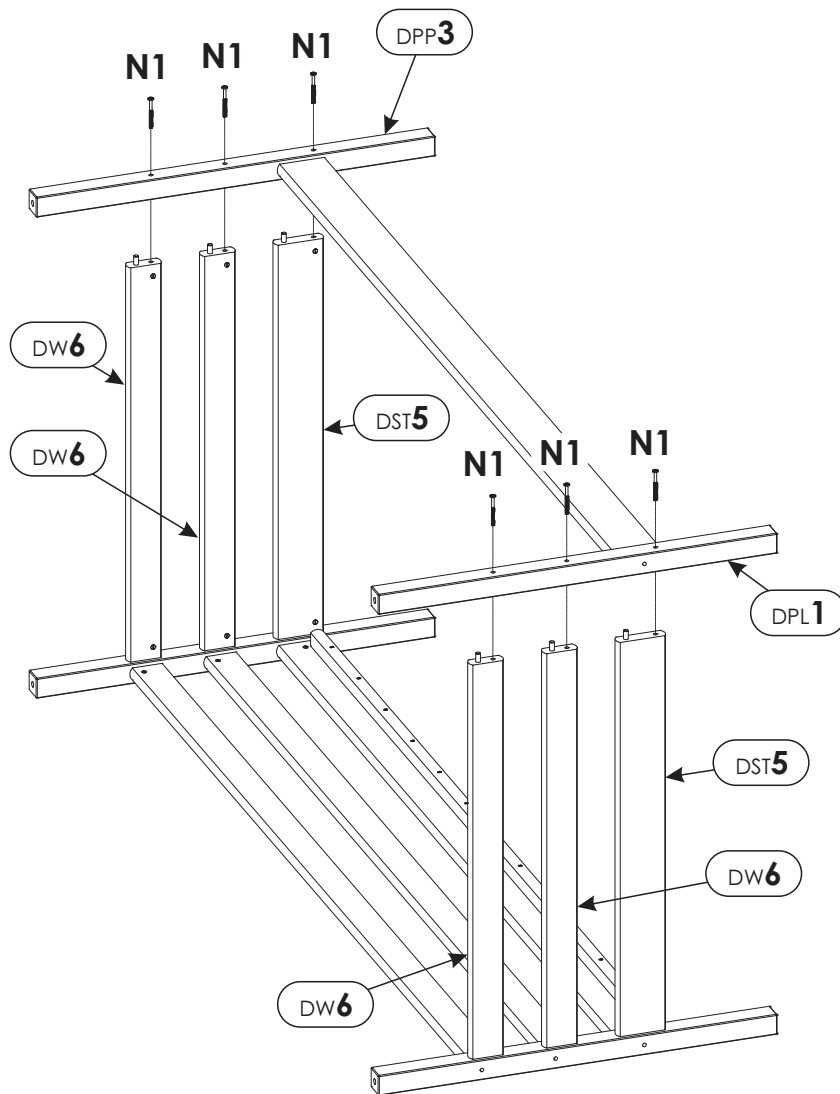
6.



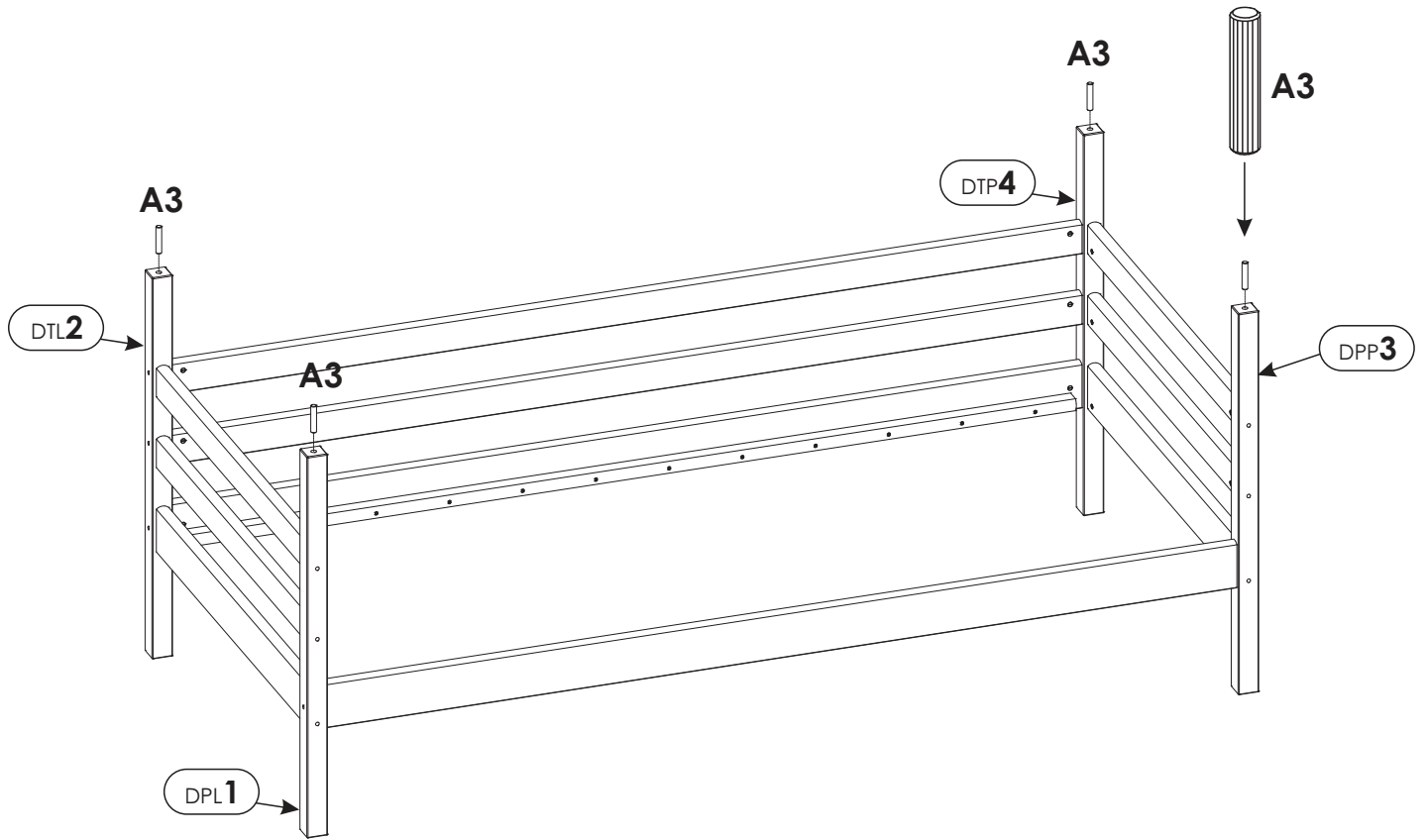
7.



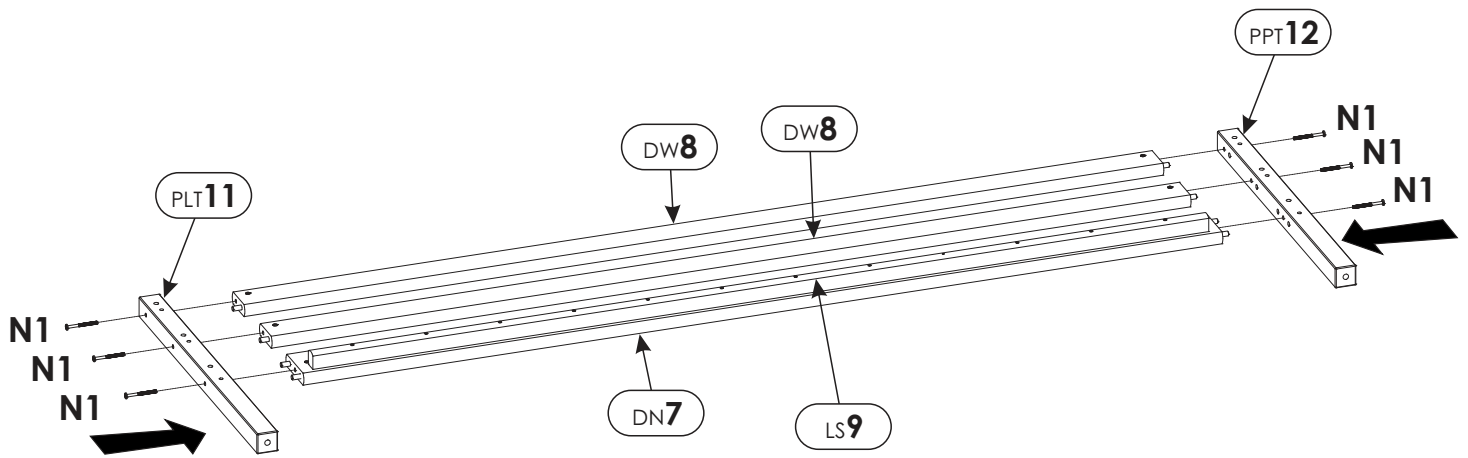
8.



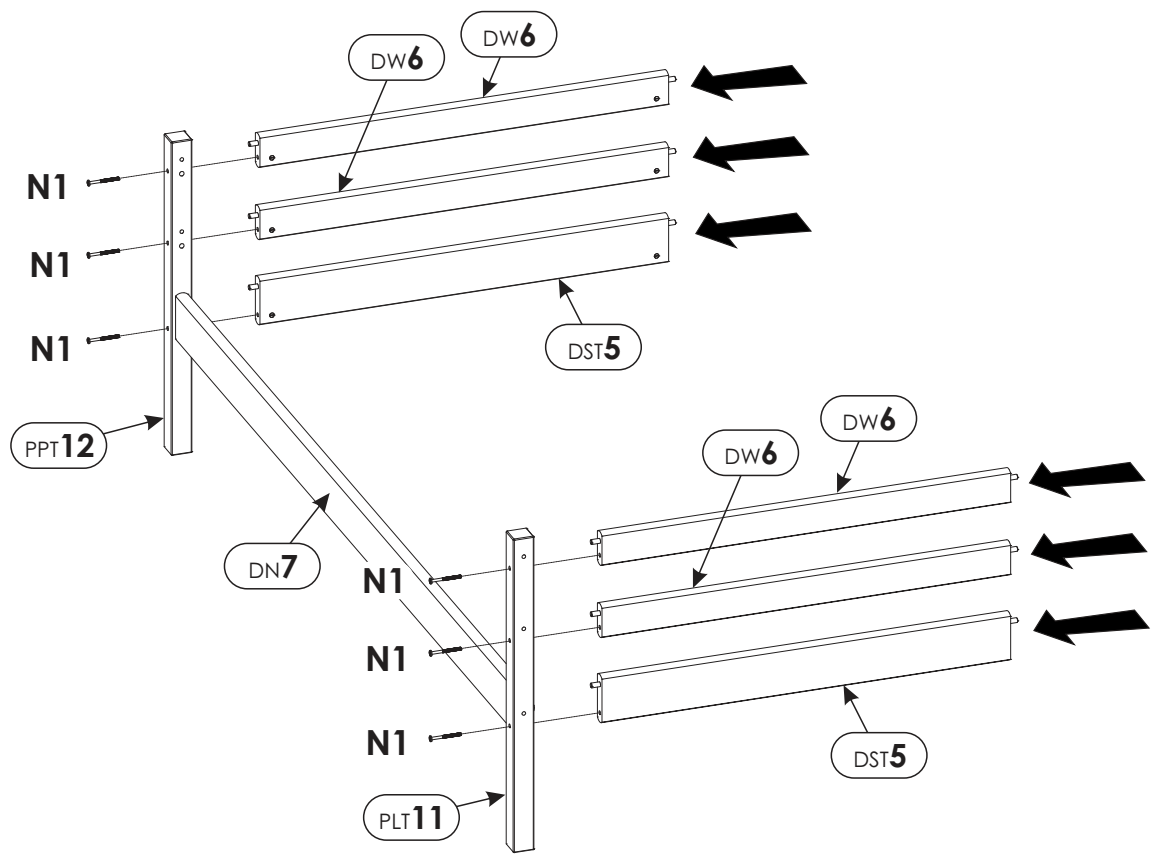
9.



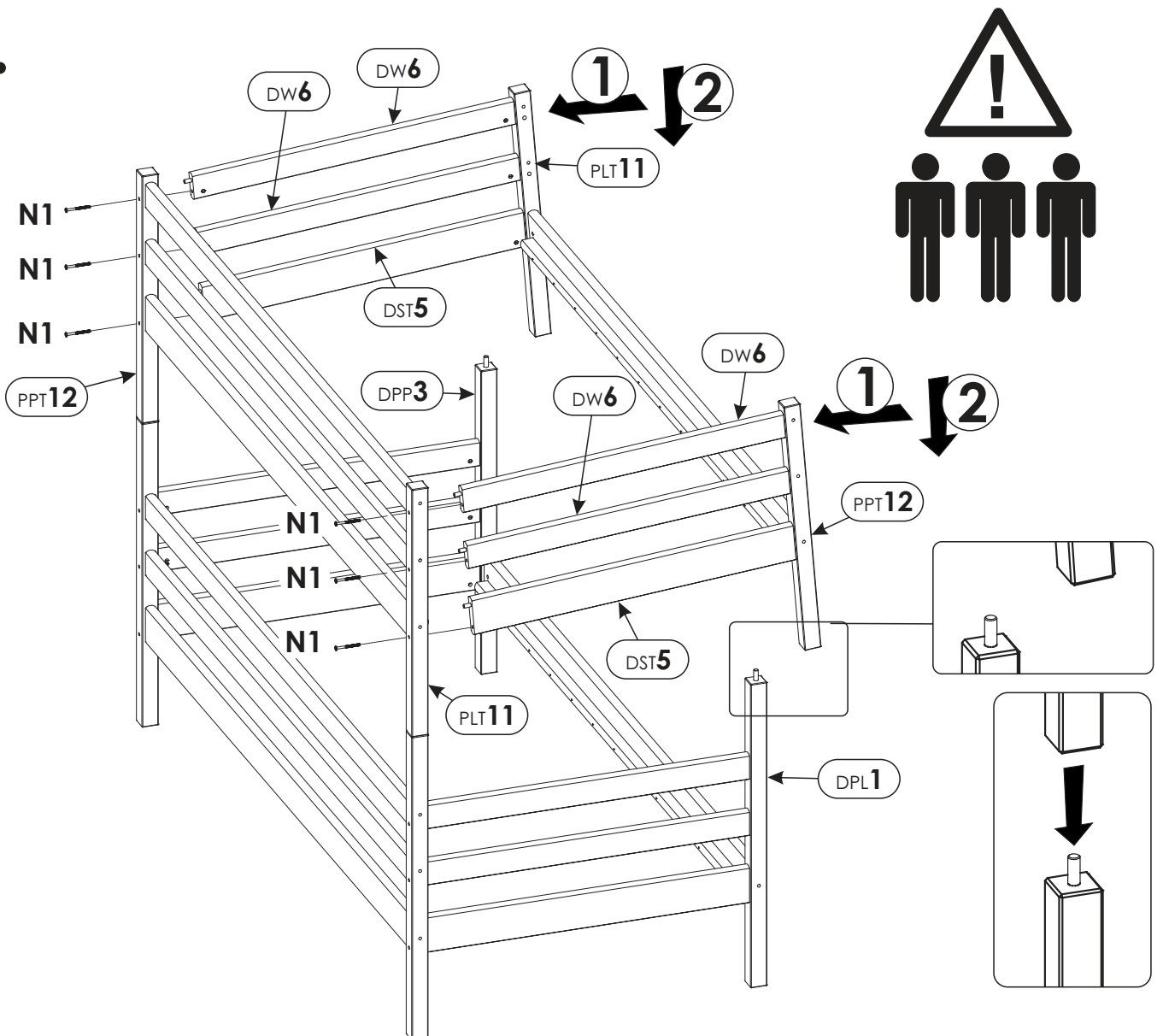
10.



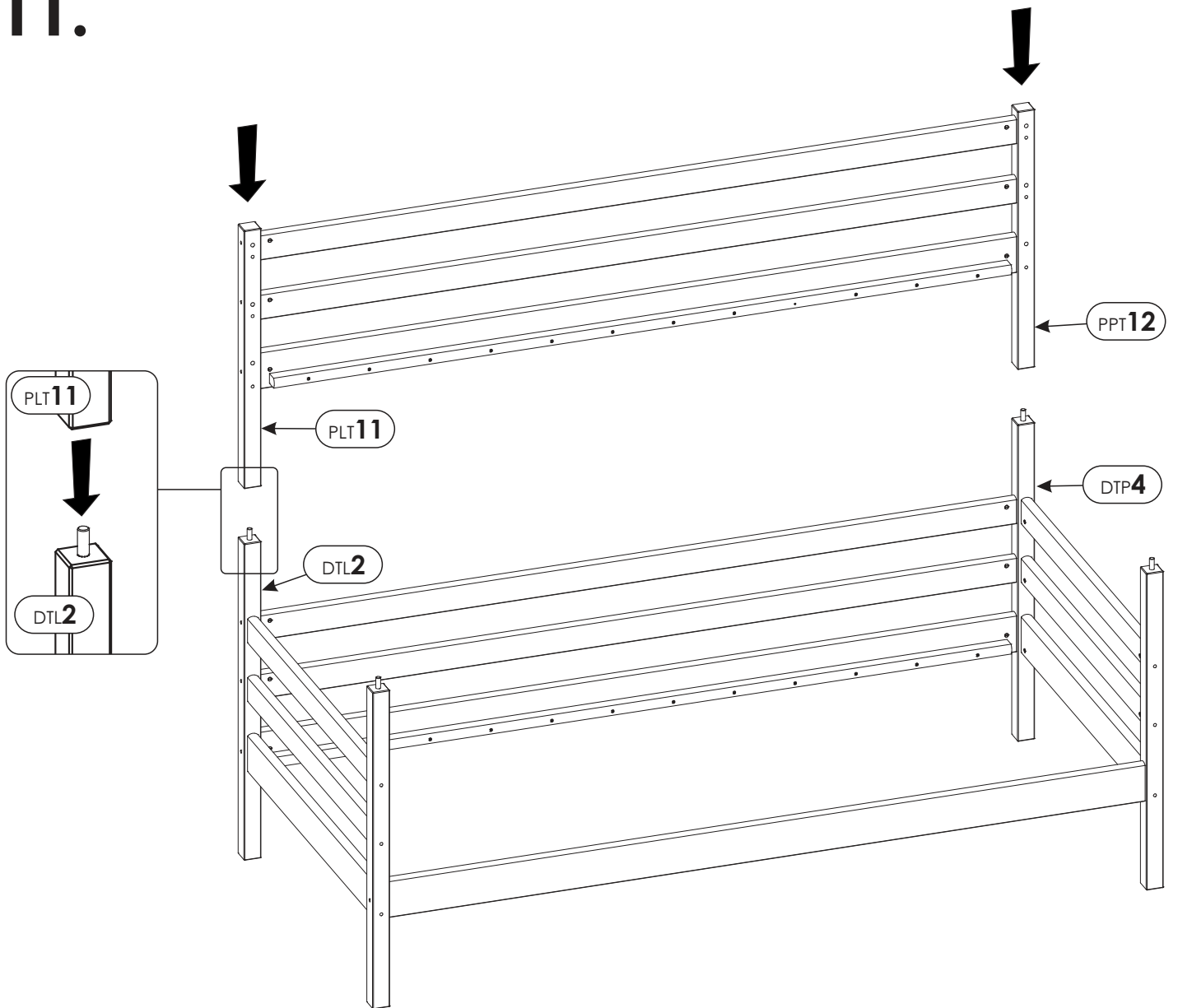
13.



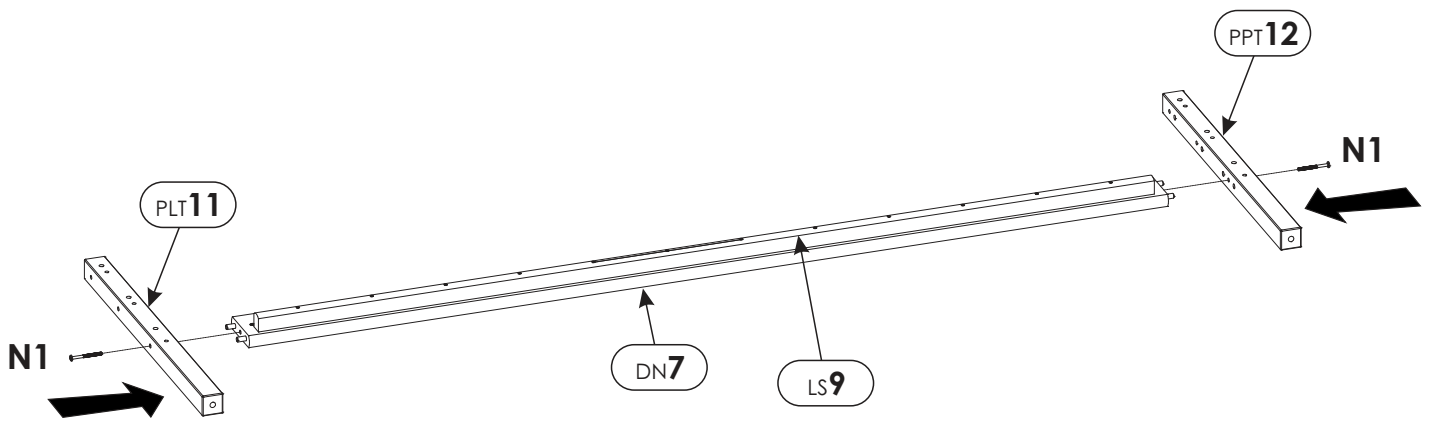
14.



11.

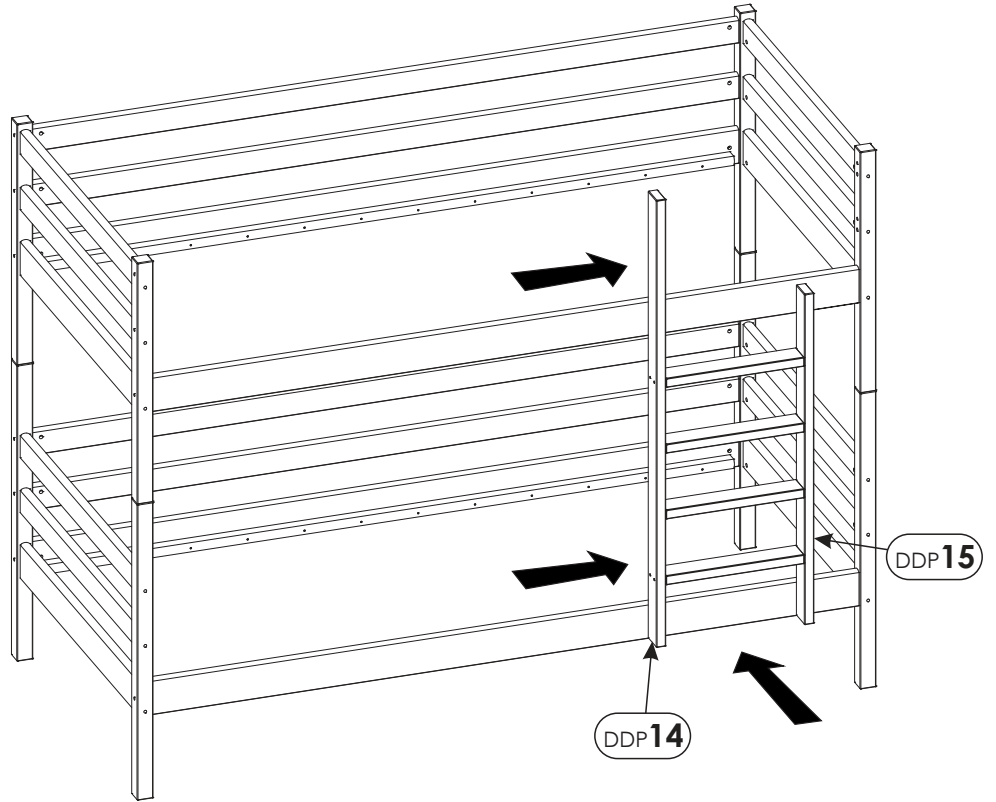
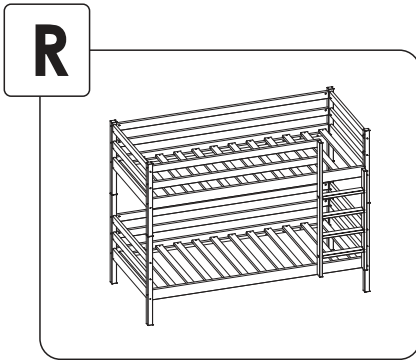


12.

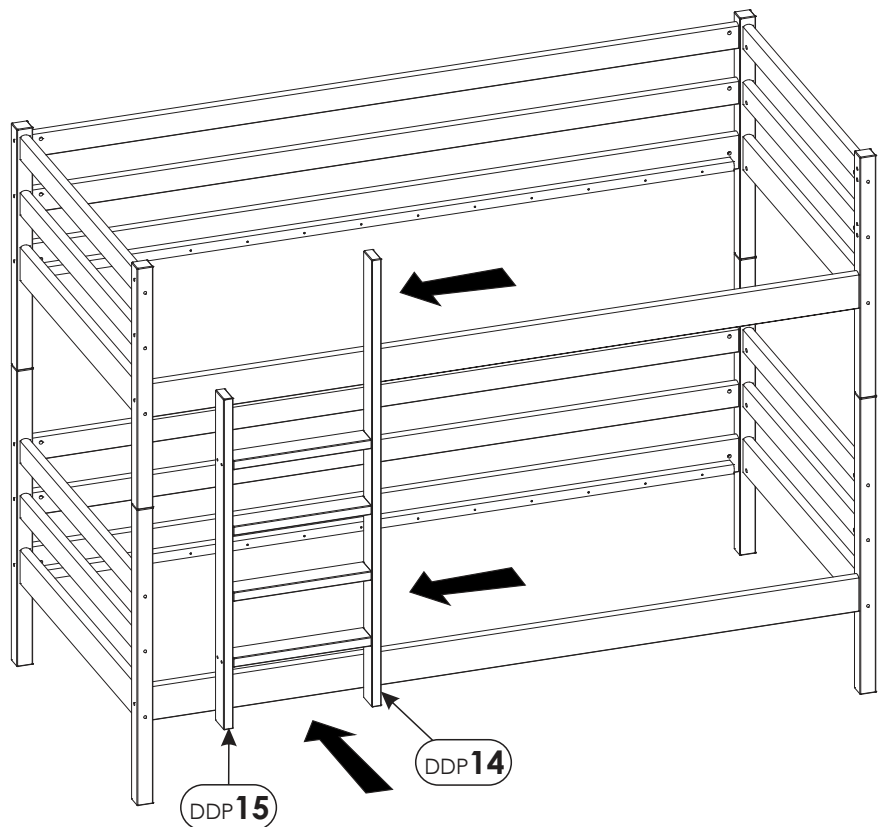
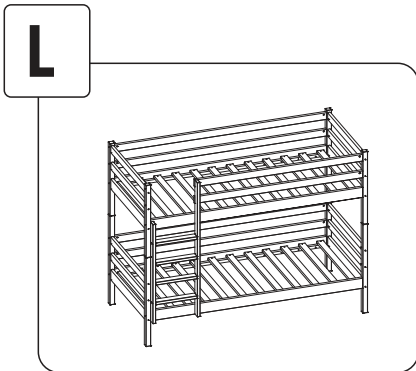


17.

17.1

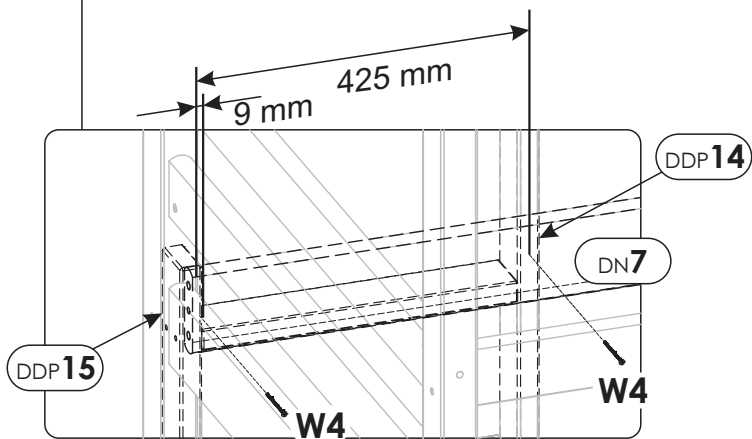
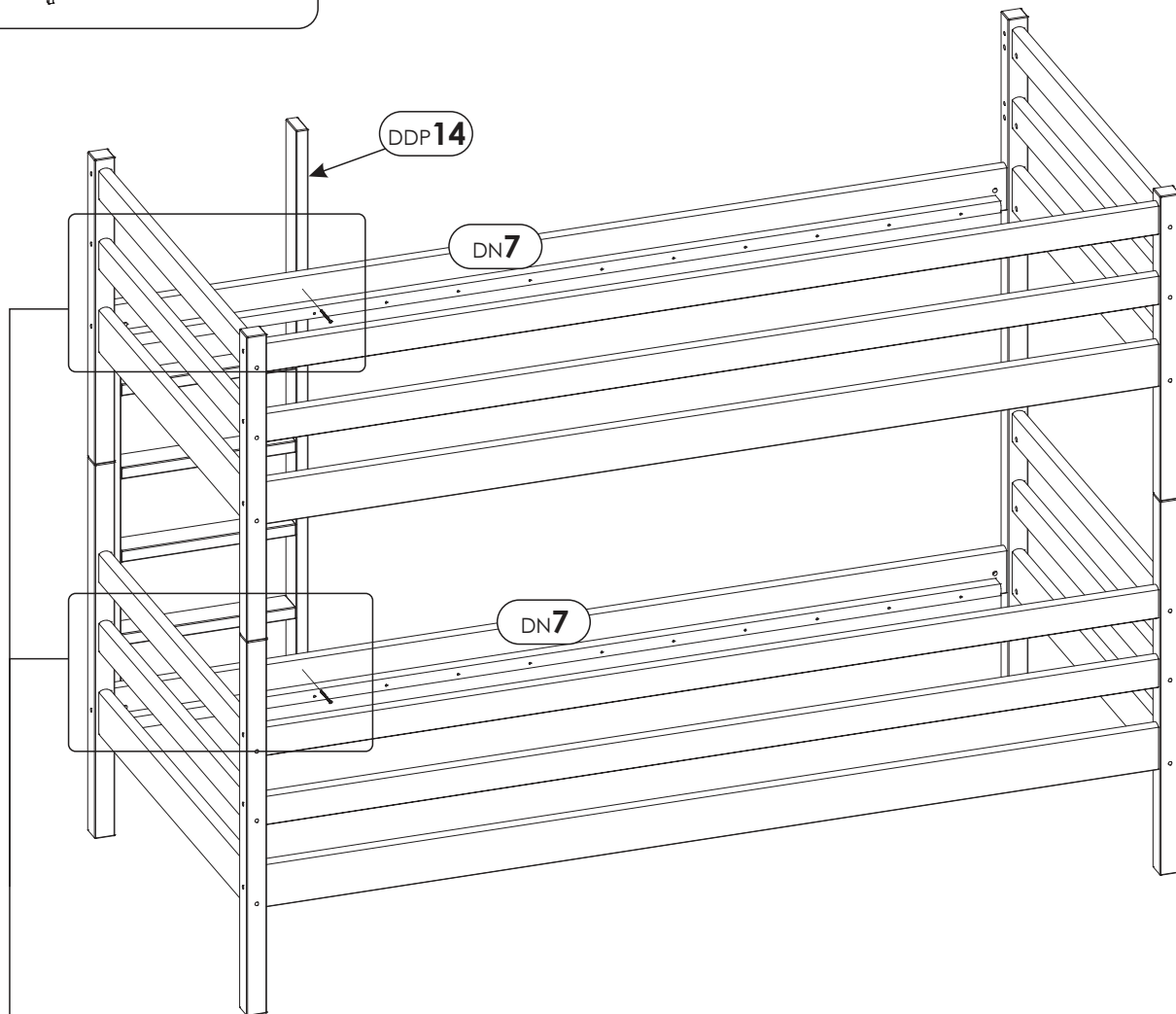
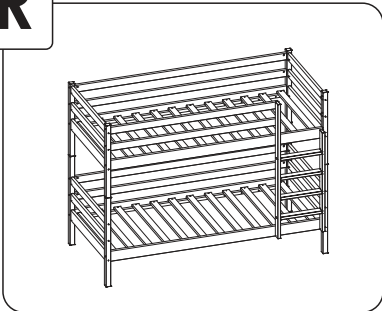


17.2



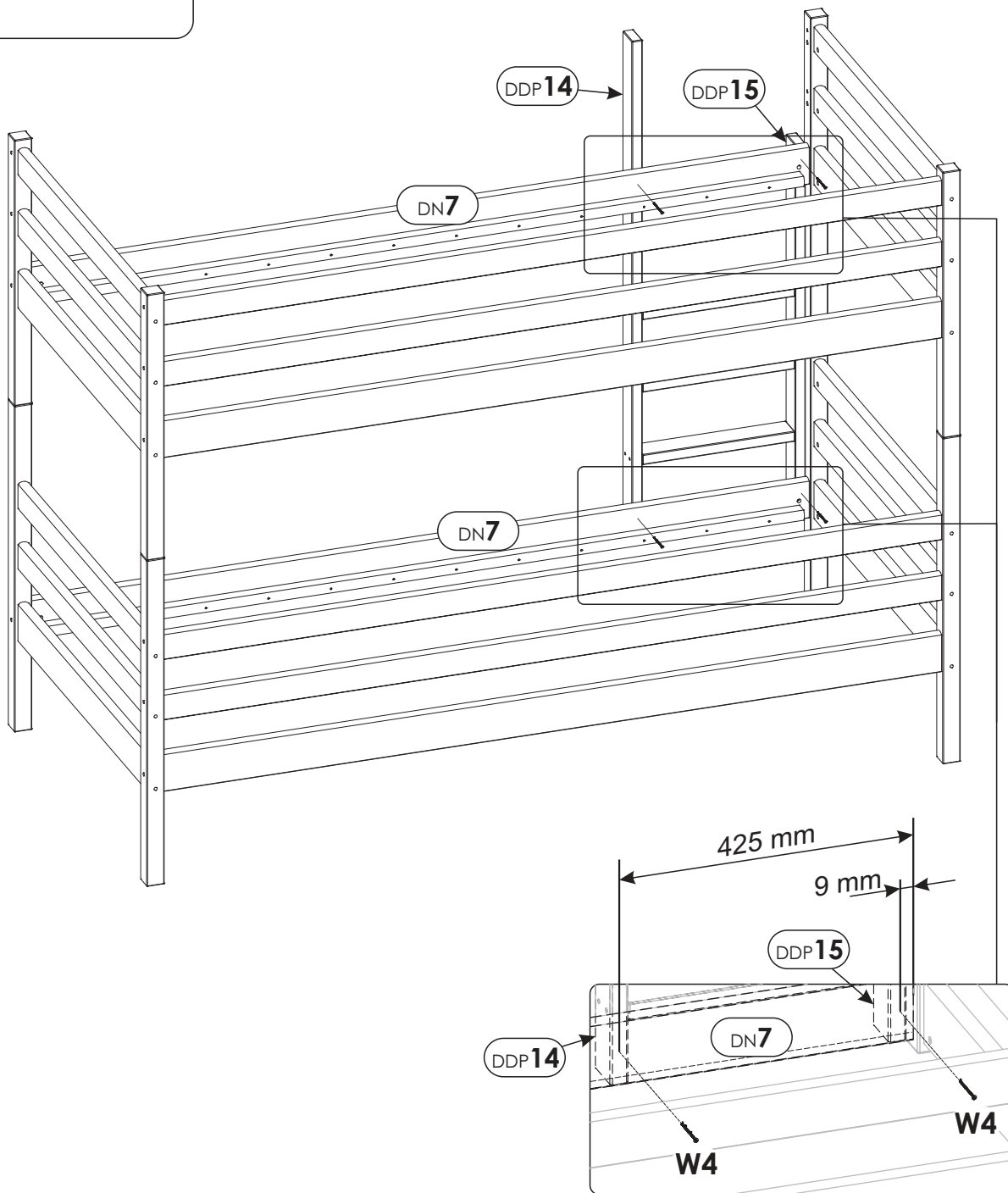
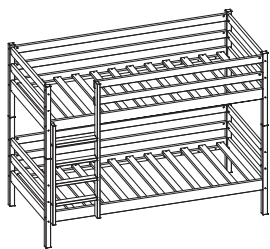
18.

R

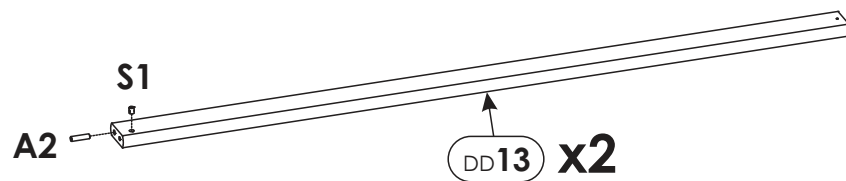


19.

L

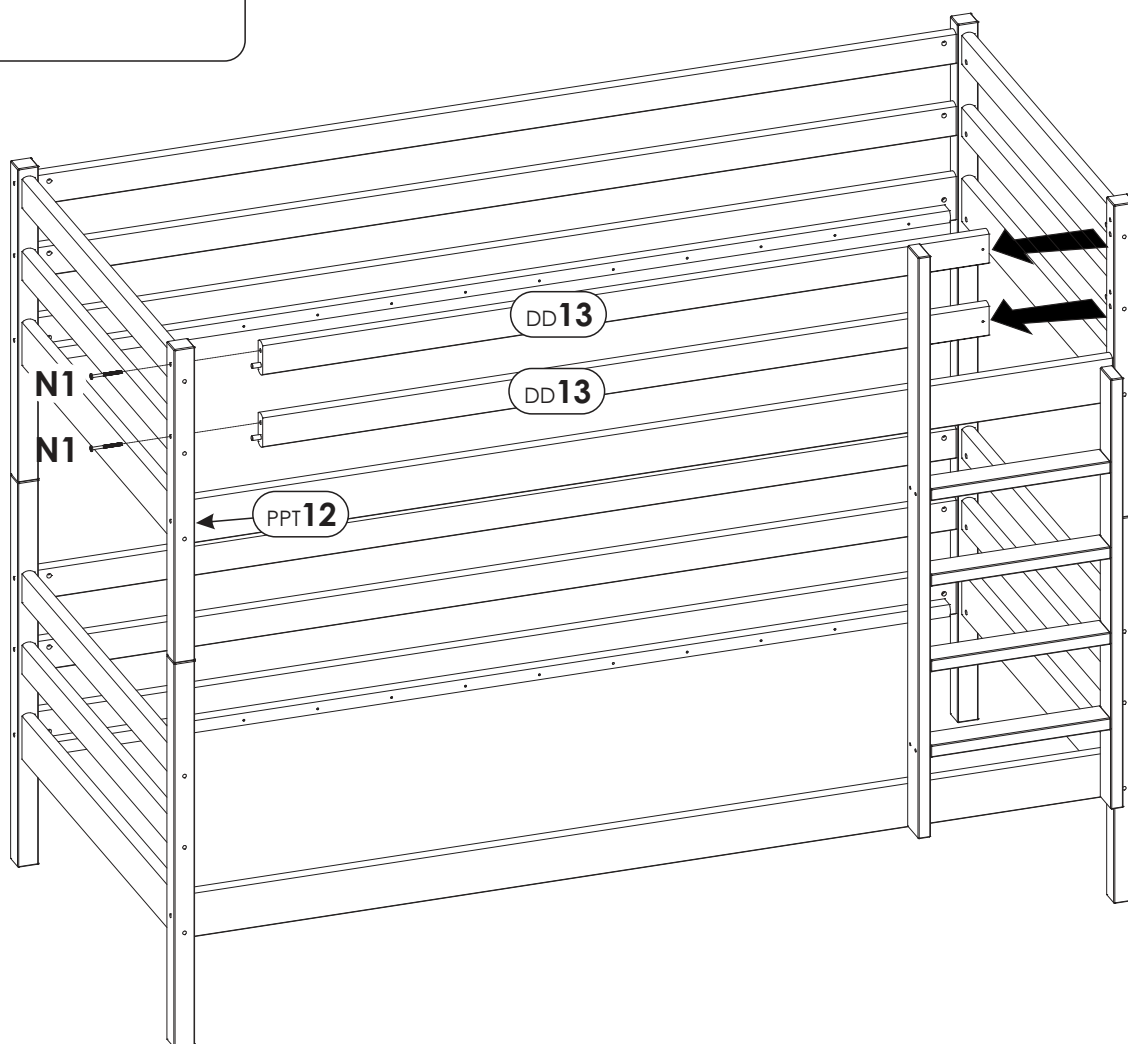
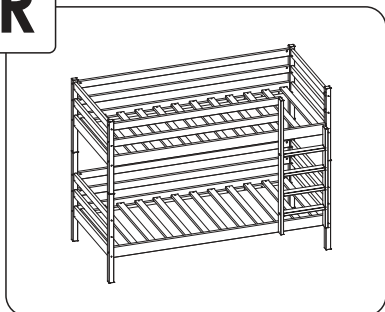


20.



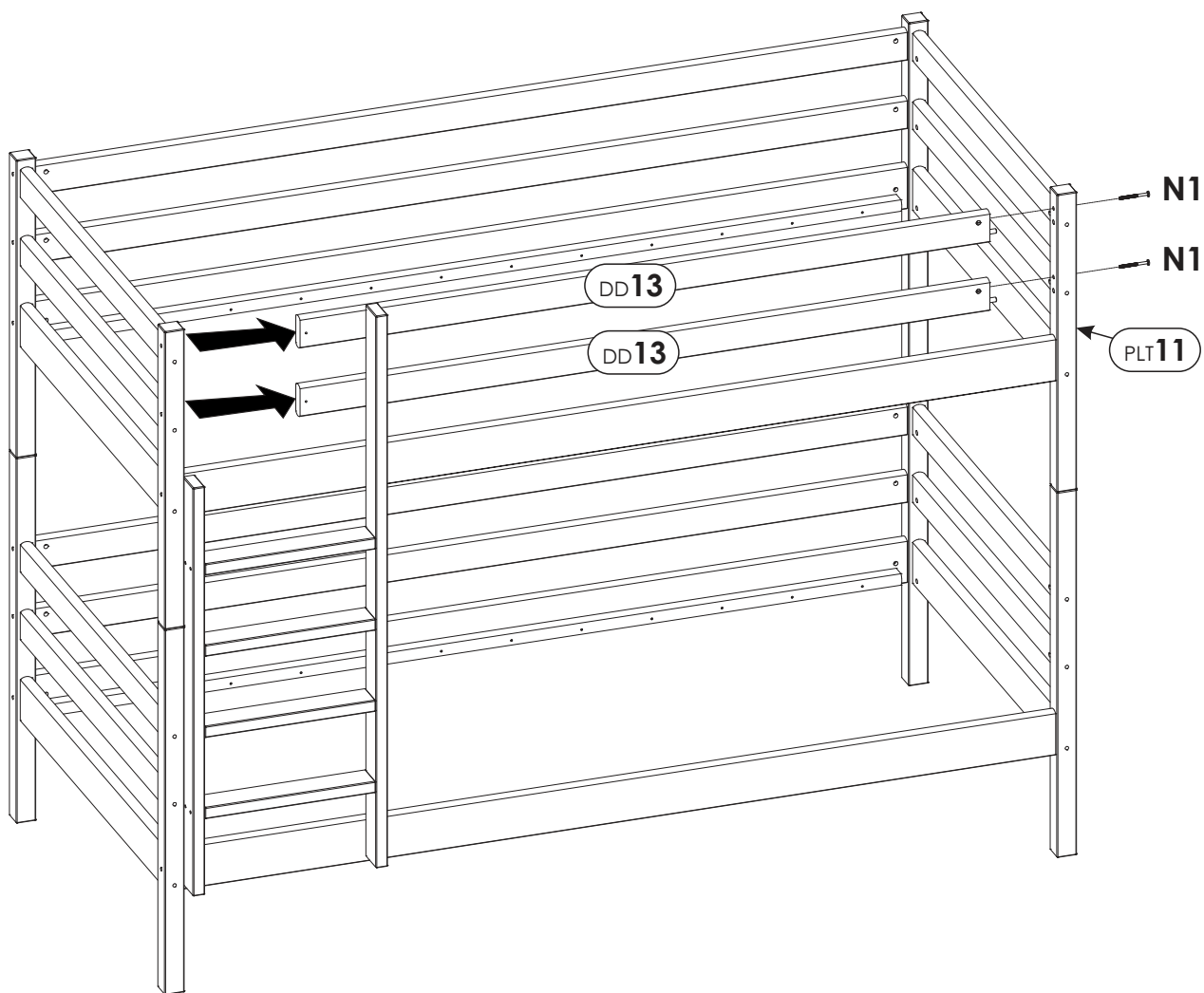
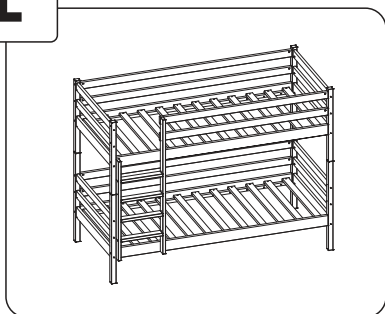
21.

R



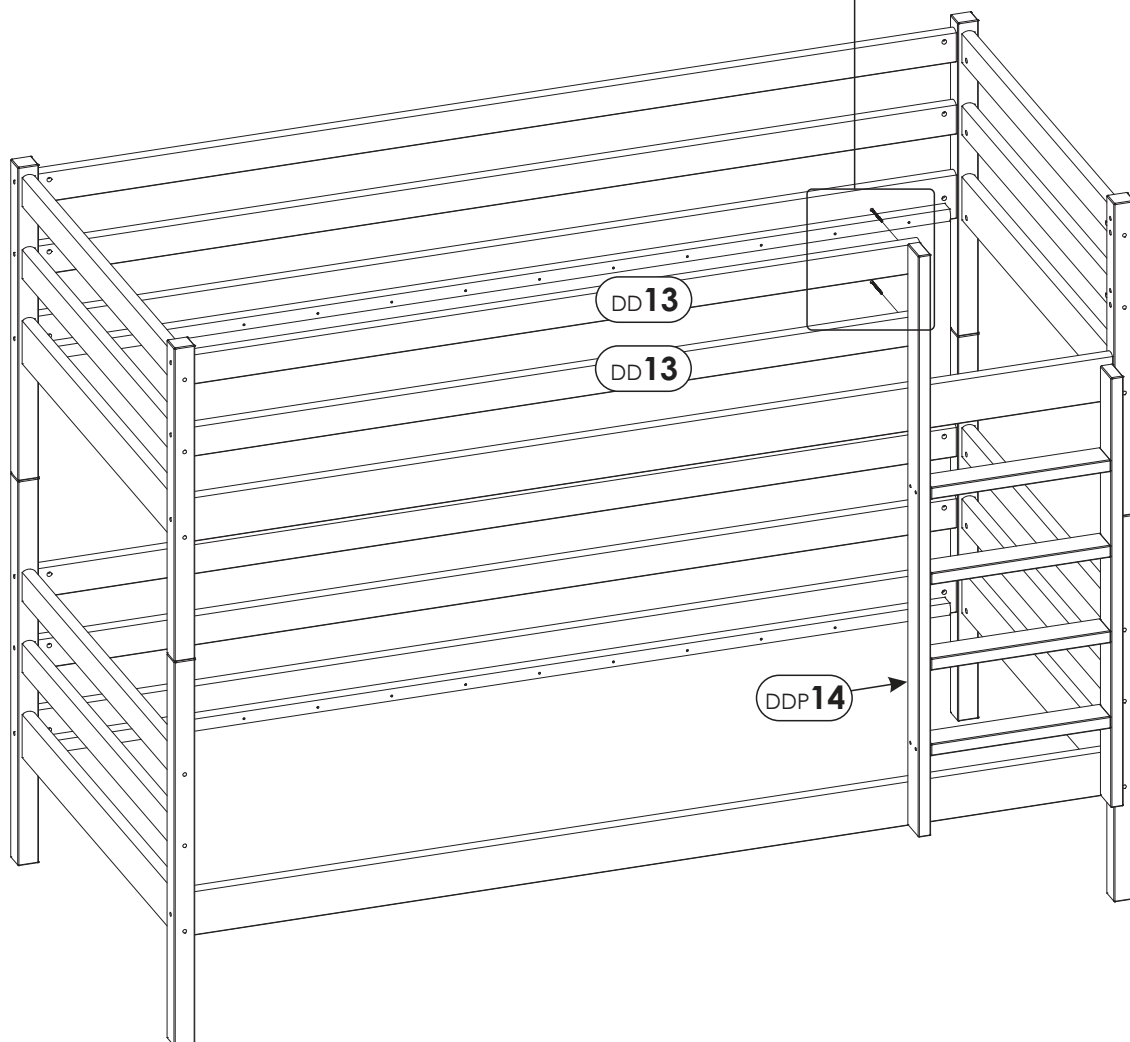
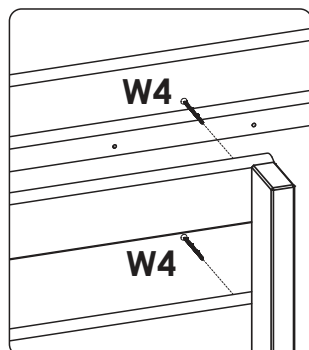
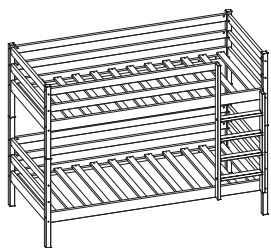
22.

L



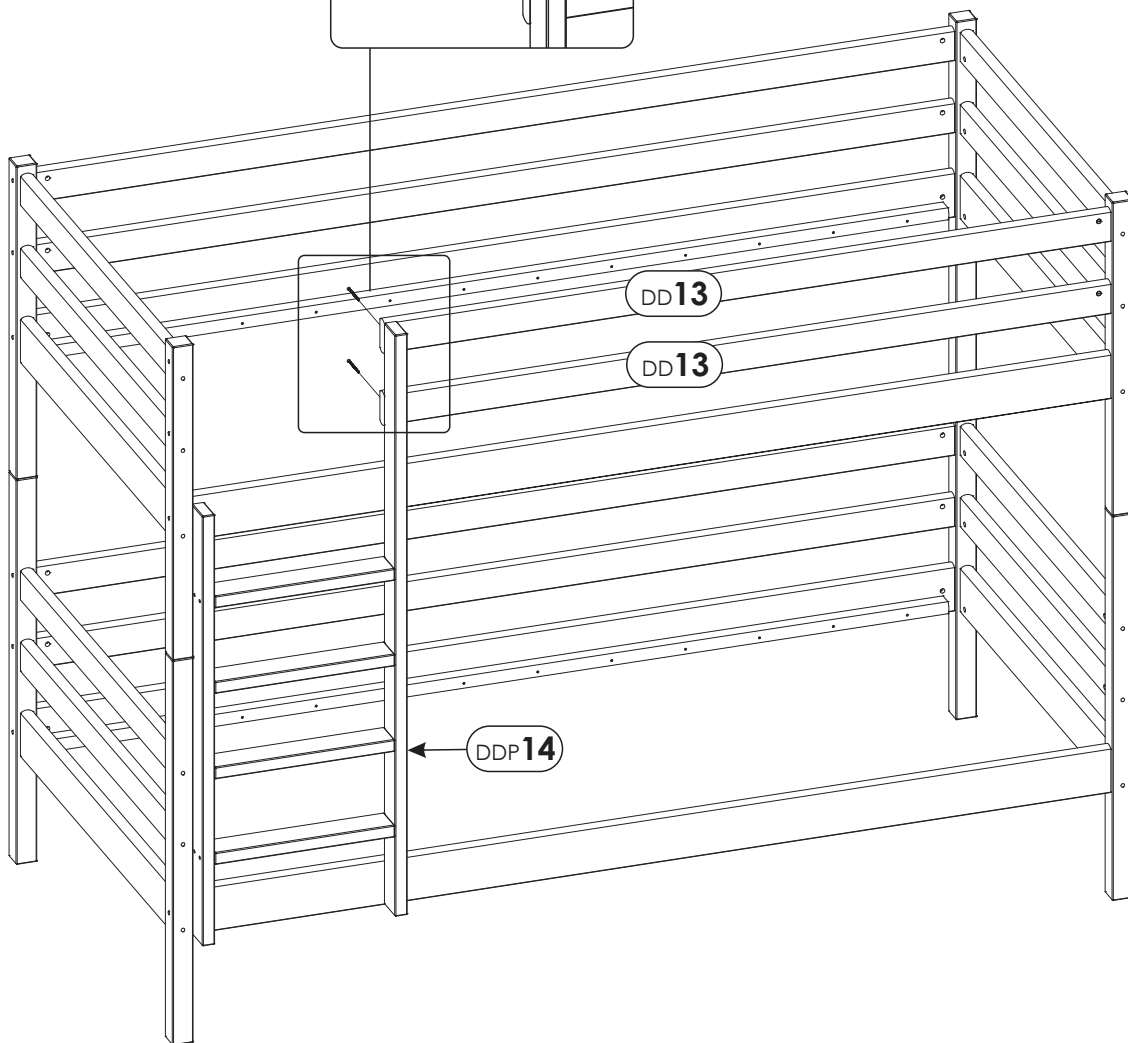
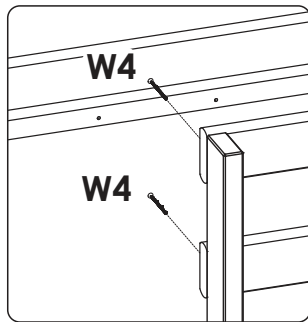
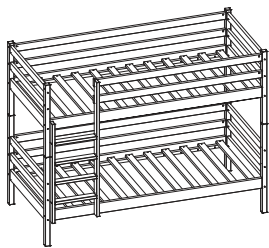
23.

R

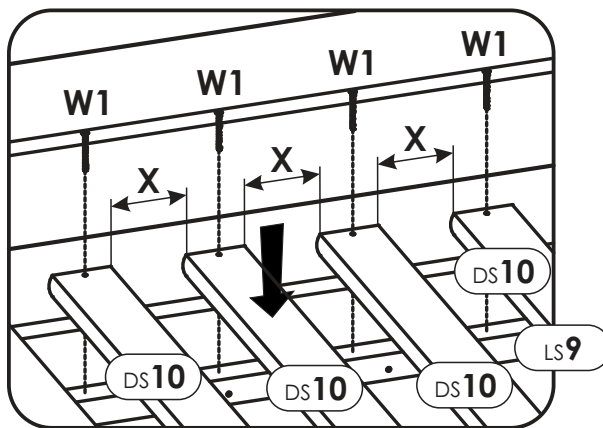
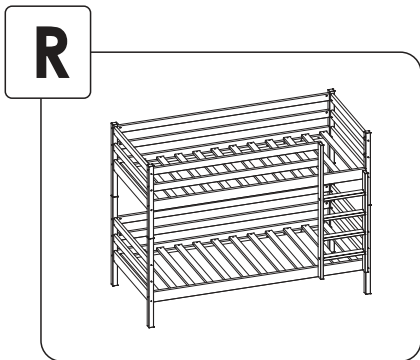


24.

L

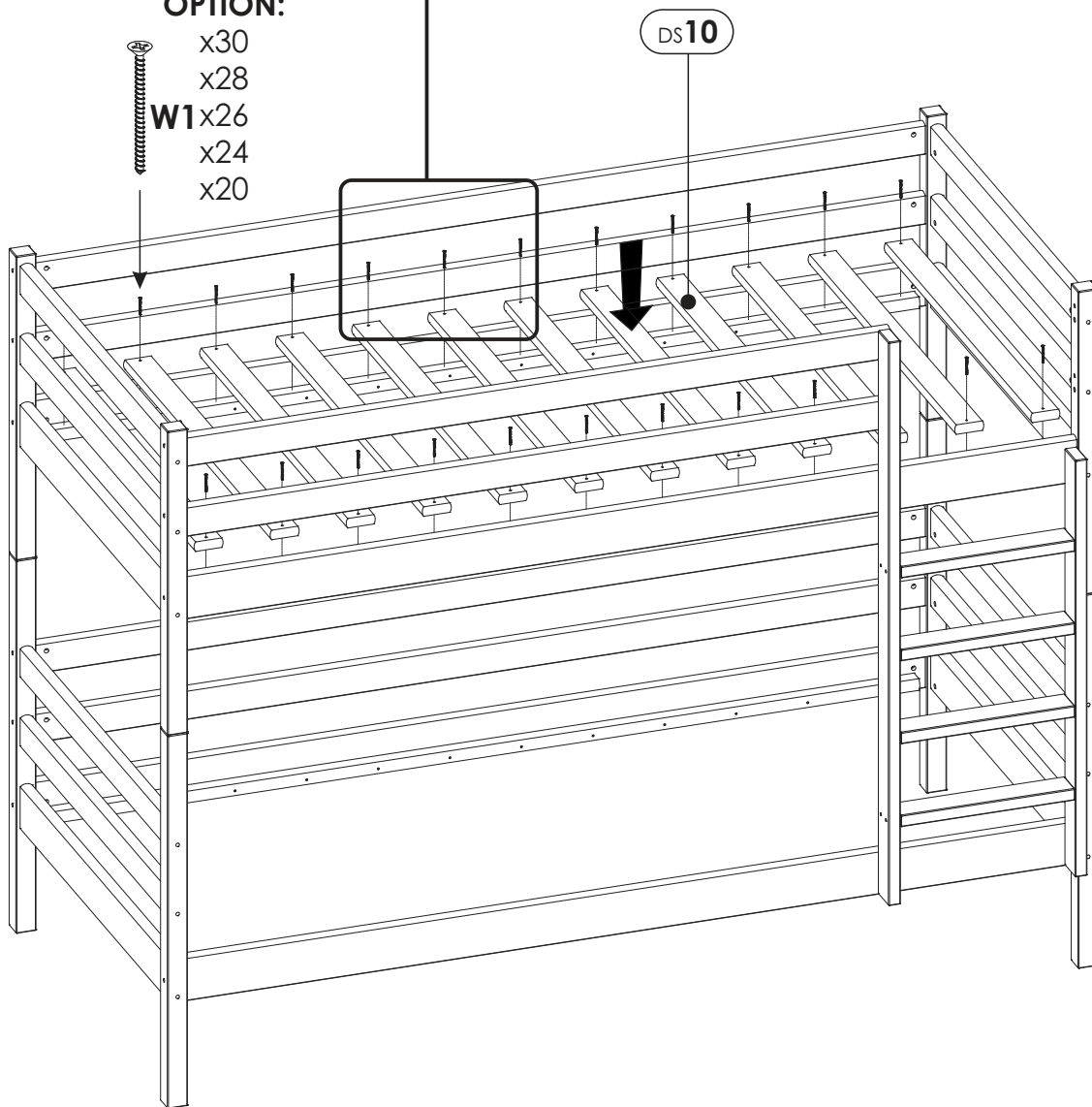


25.



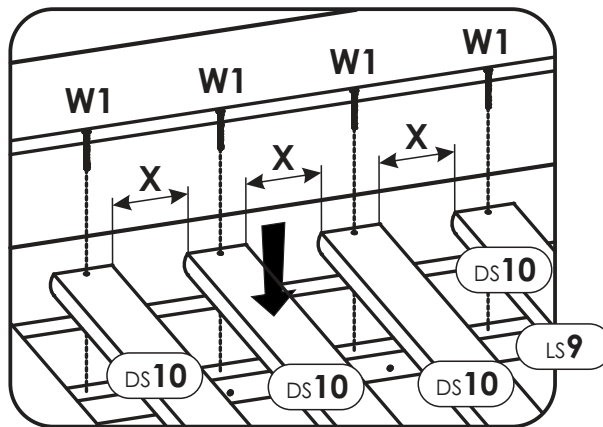
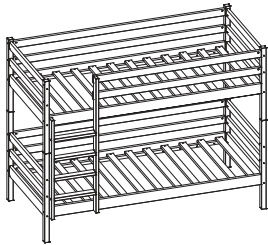
OPTION:

- x30
- x28
- W1**x26
- x24
- x20



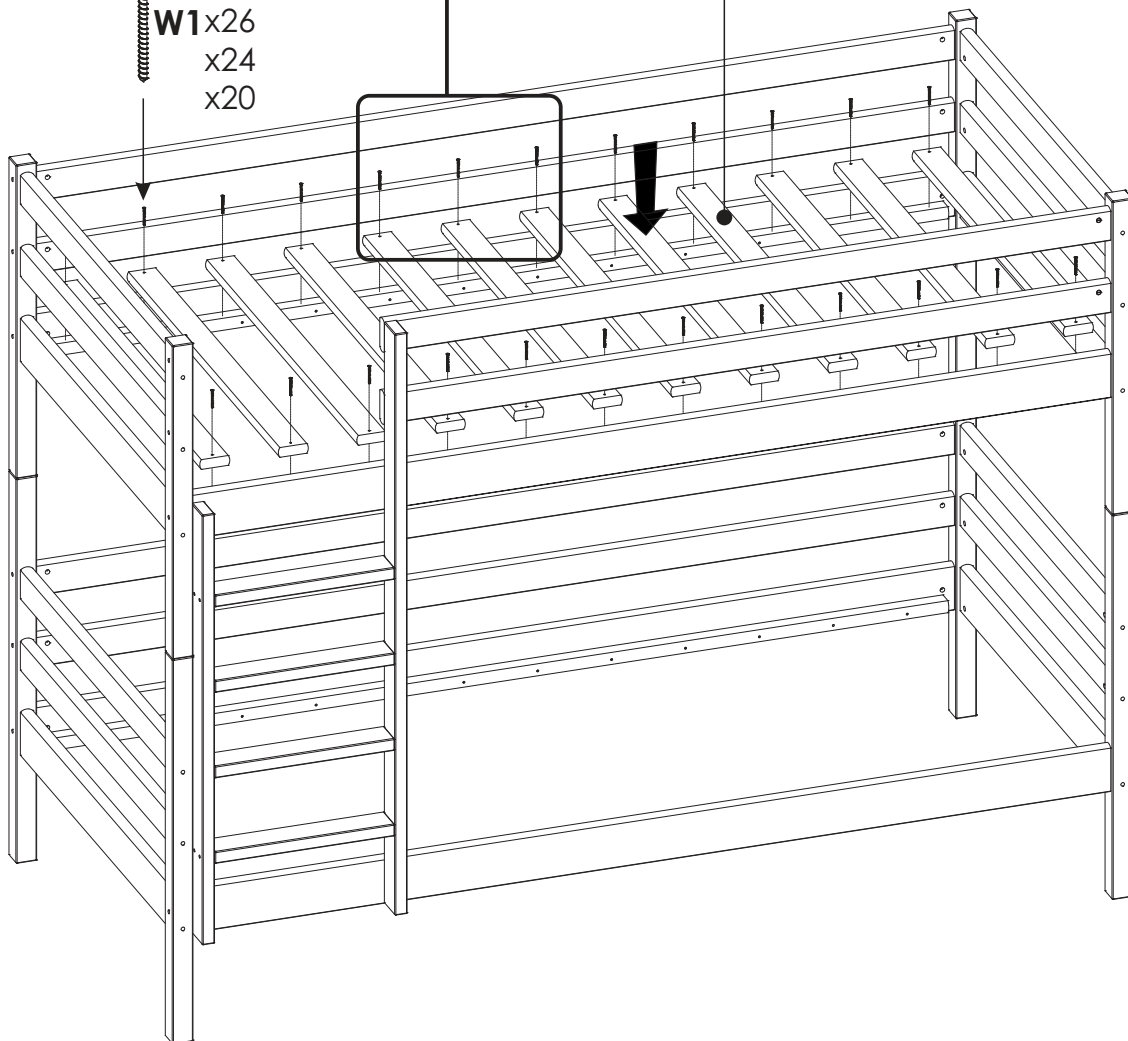
26.

L



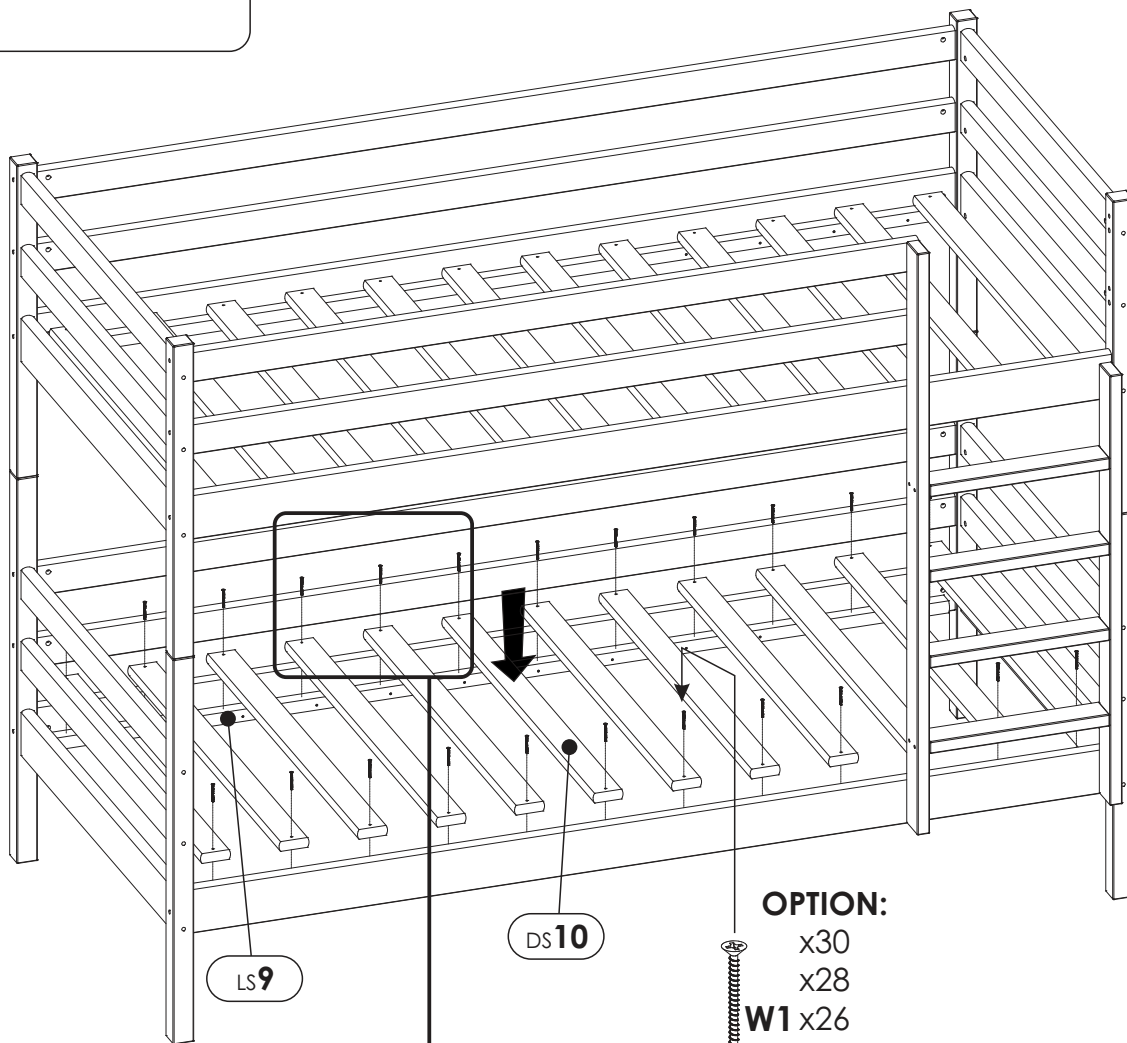
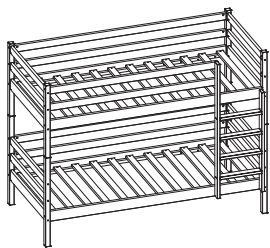
OPTION:

- x30
- x28
- W1**x26
- x24
- x20



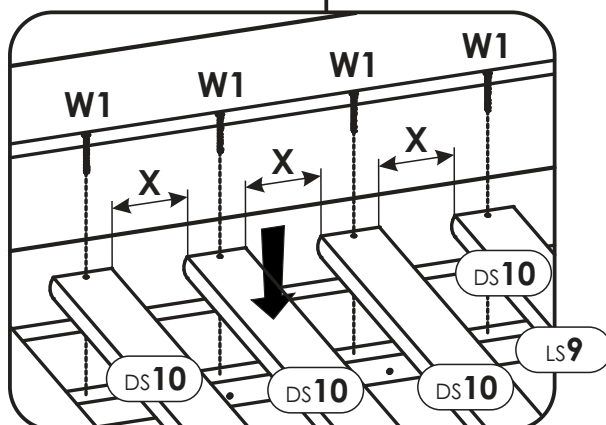
27.

R



OPTION:

- x30
- x28
- W1** x26
- x24
- x20



28.

L

