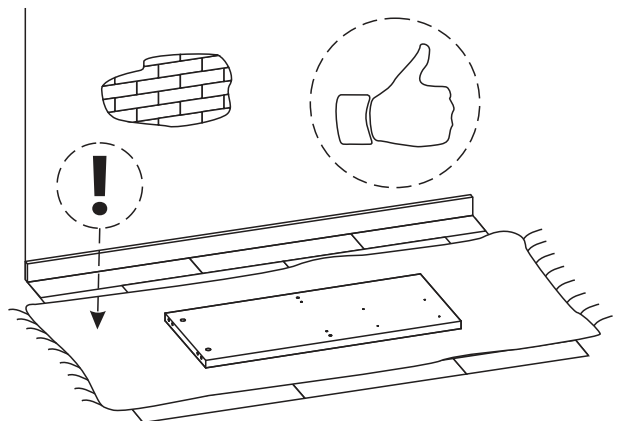
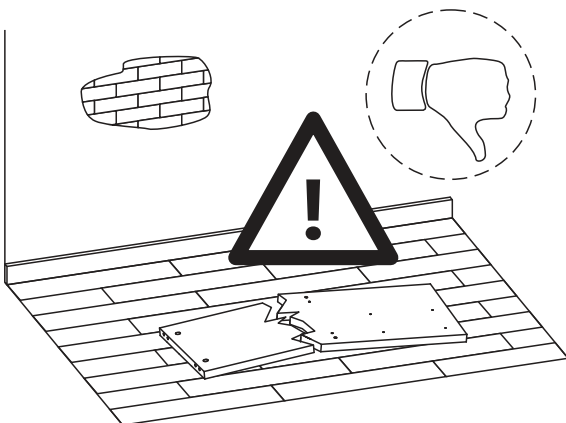
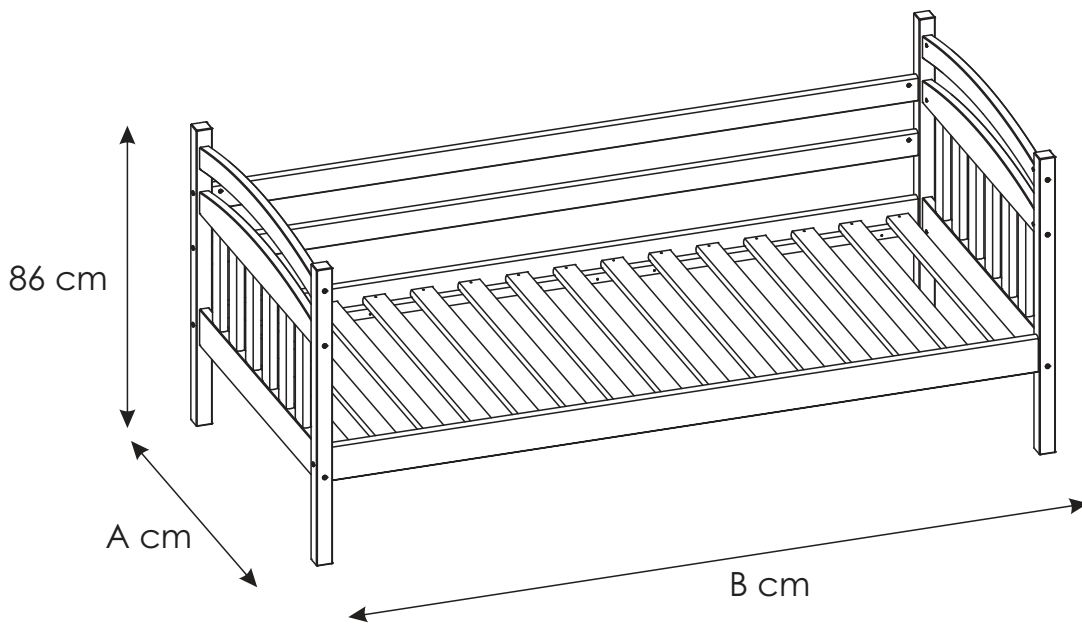
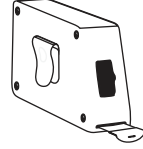
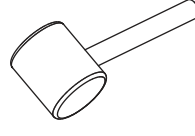
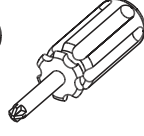
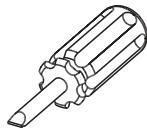
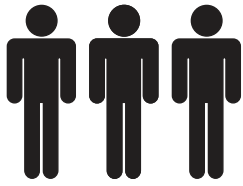
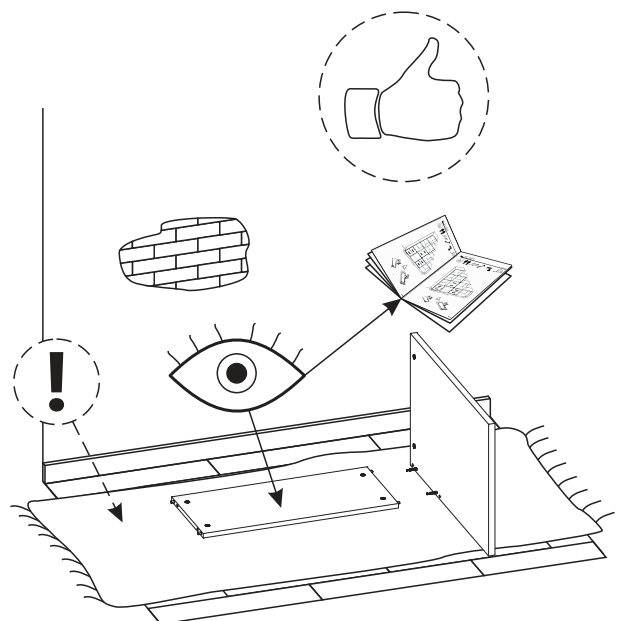
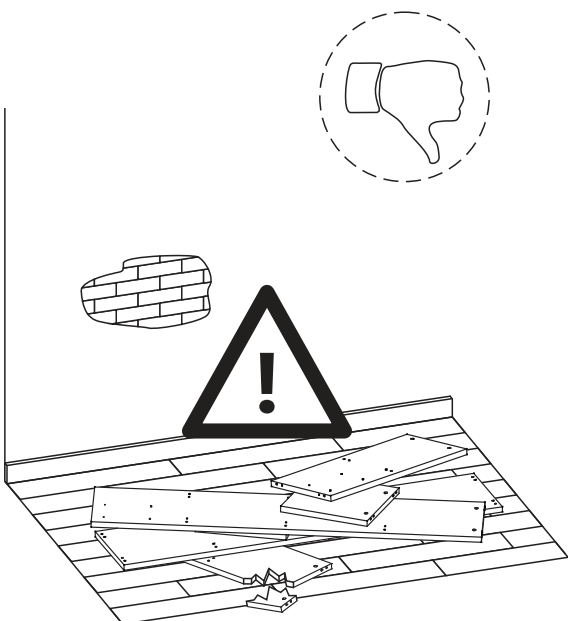
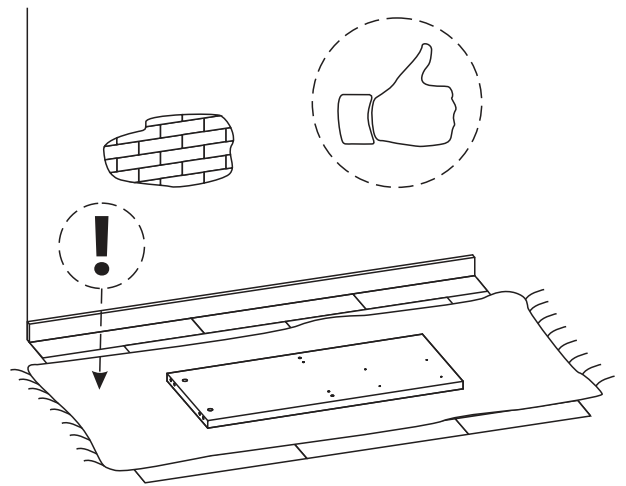


AMELIA

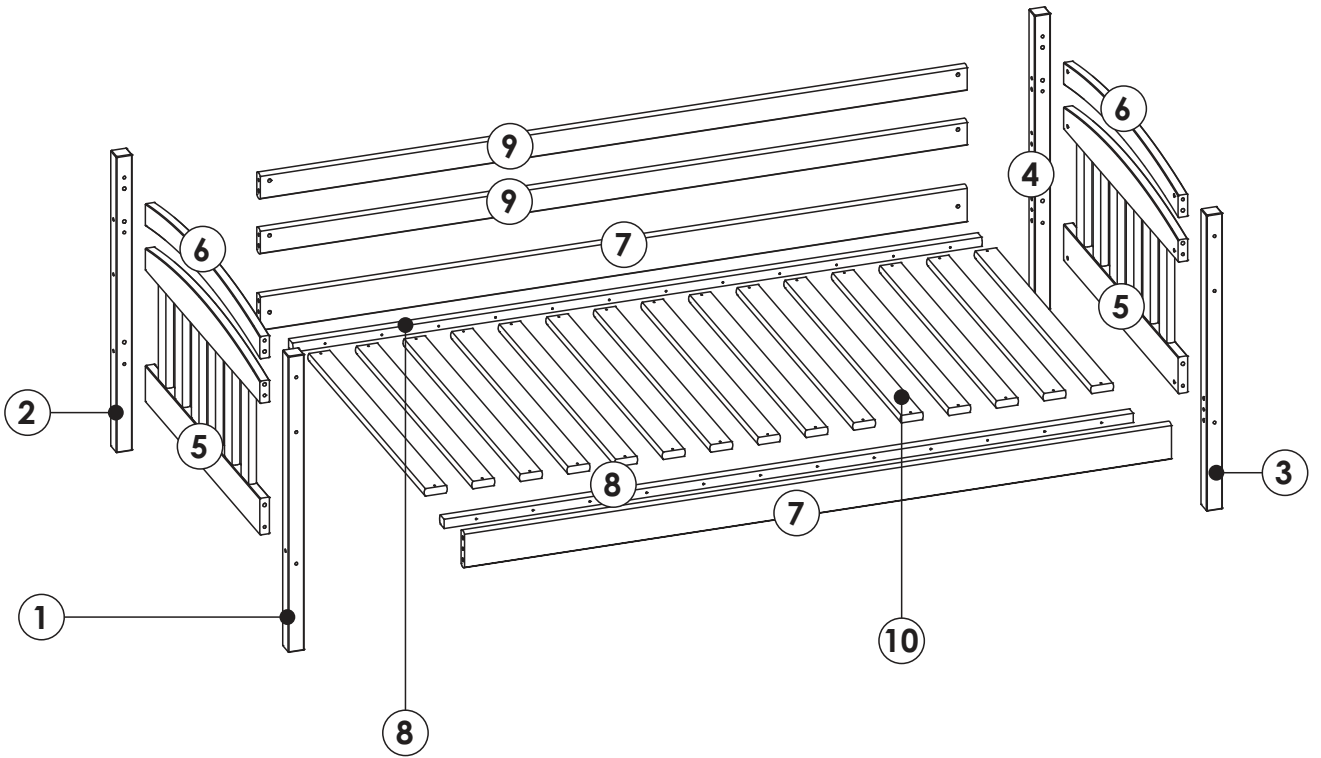
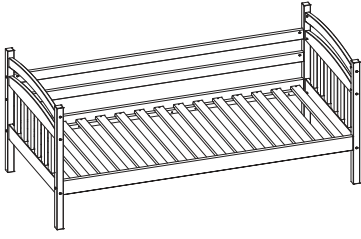


90 min





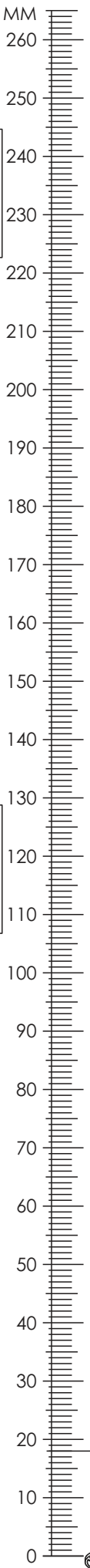
AMELIA

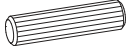

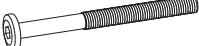



AMELIA


AMPL 1	864	45	45	x1	AMNPL_02570
AMTL 2	864	45	45	x1	AMNTL_02590
AMPP 3	864	45	45	x1	AMNPP_02580
AMTP 4	864	45	45	x1	AMNTP_02600
PBB 5	585, 685, 785, 885, 985	491	27	x2	PS_00470 DP_00480 DB_00610
DB 6	585, 685, 785, 885, 985	107	27	x2	DB_00600
DN 7	1190, 1390, 1590, 1690, 1790, 1890, 1990	107	27	x2	DN_00110
LS 8	1140, 1340, 1540, 1640, 1740, 1840, 1940	35	27	x2	LS_00160
DW 9	1190, 1390, 1590, 1690, 1790, 1890, 1990	107	27	x2	DW75_00930


AMELIA



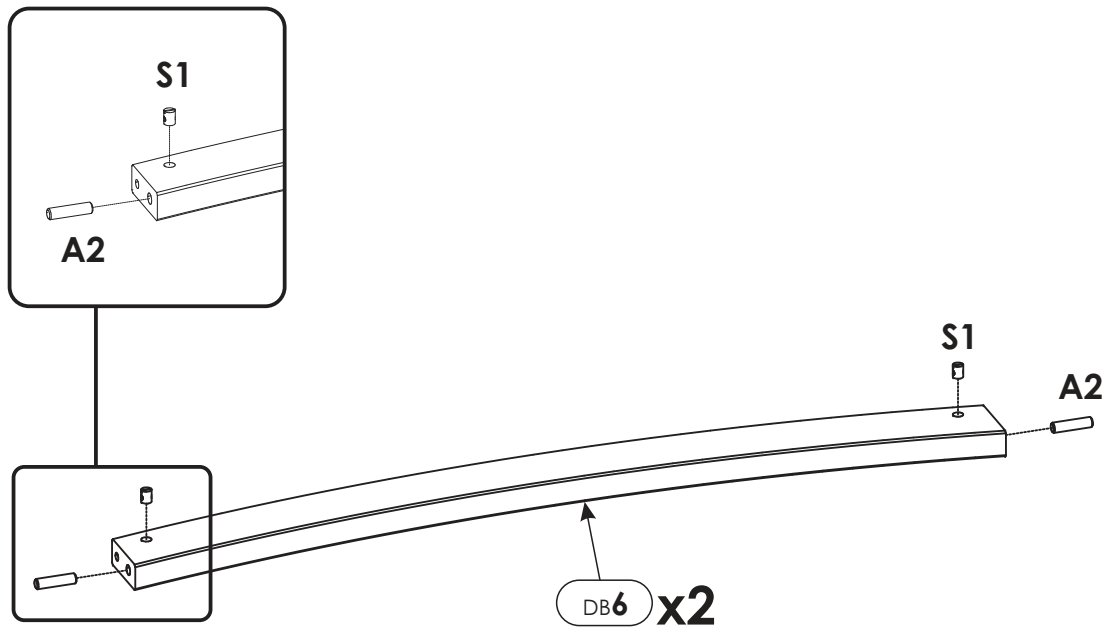
A2 akc_0002  10 x 40 mm x24	M akc_0005  x1	N1 akc_0006  6 x 80 mm x20
S1 akc_0008  10 x 16 mm x20		

----- **OPTION** -----

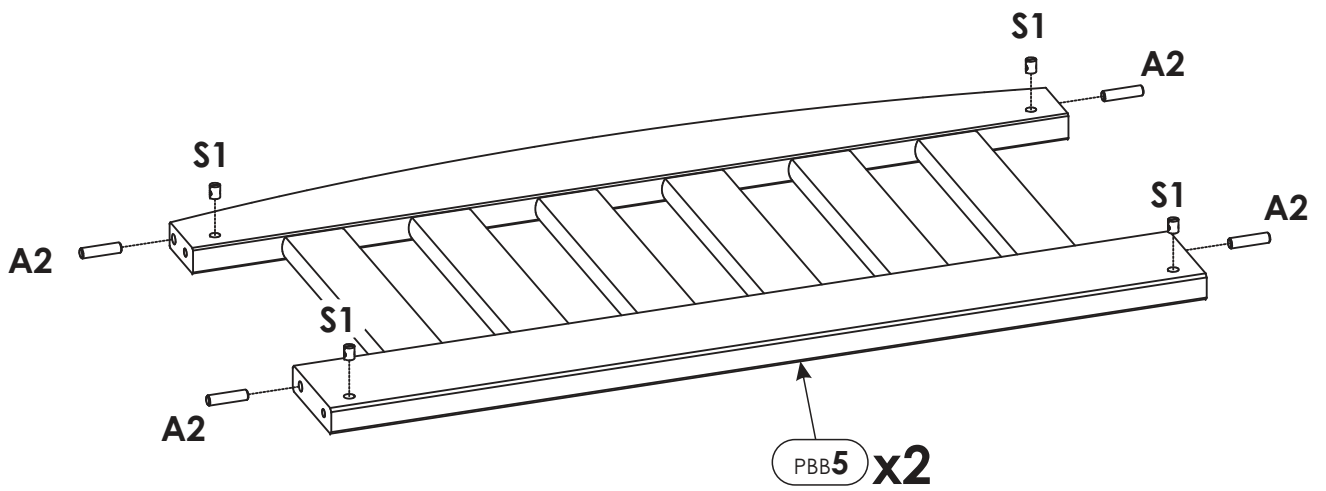
W1 akc_0009  3,5 x 40 mm 18 < x < 30

W3 akc_0011  4 x 50 mm 20 < x < 24

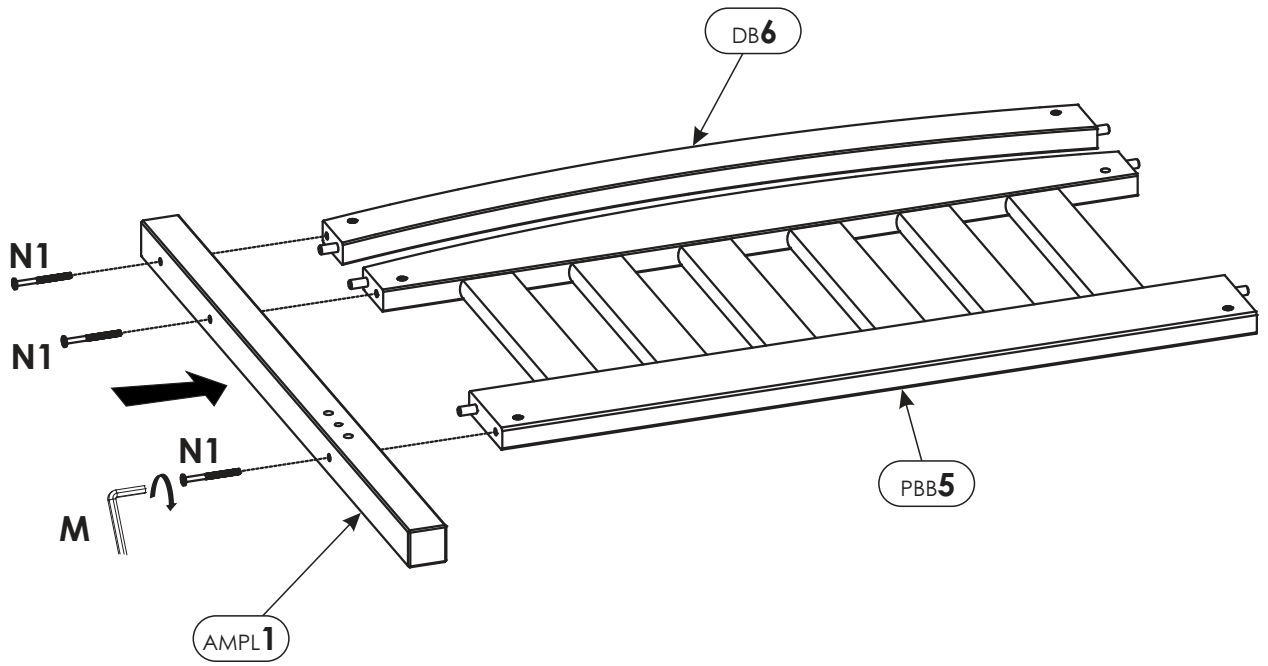
1.



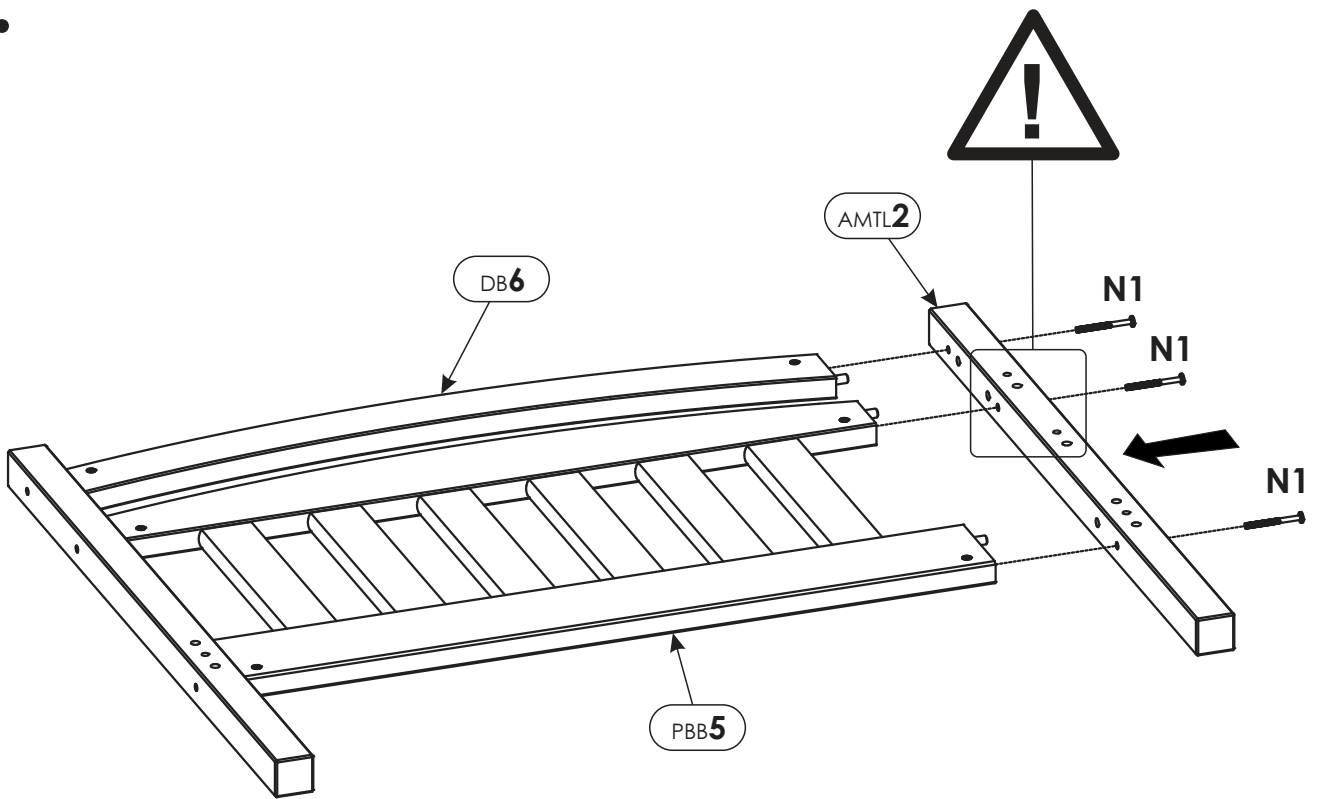
2.



3.

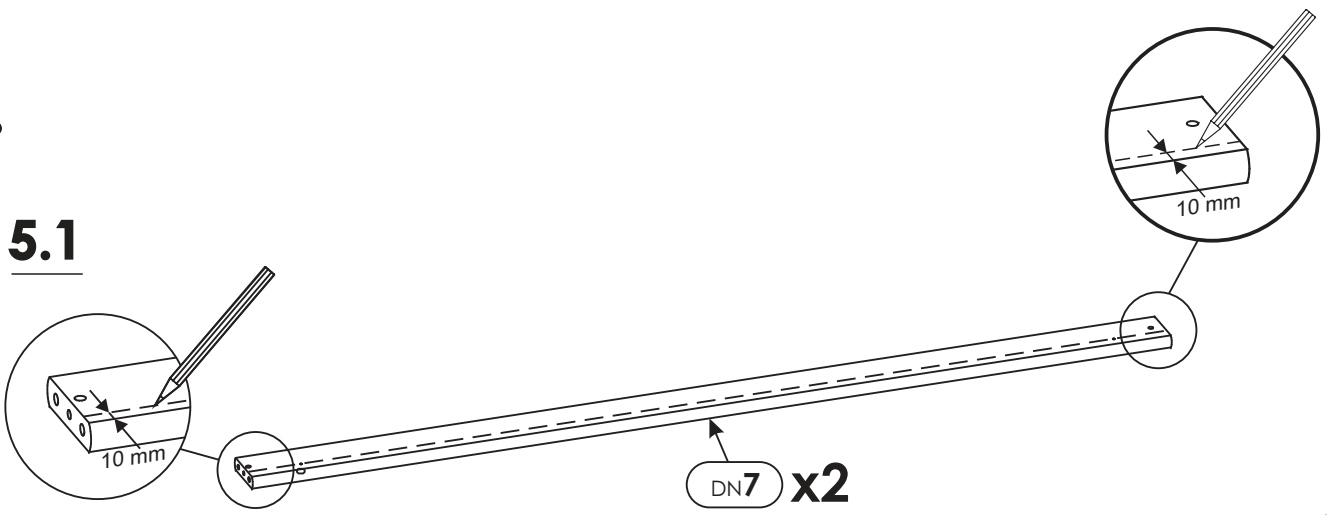


4.

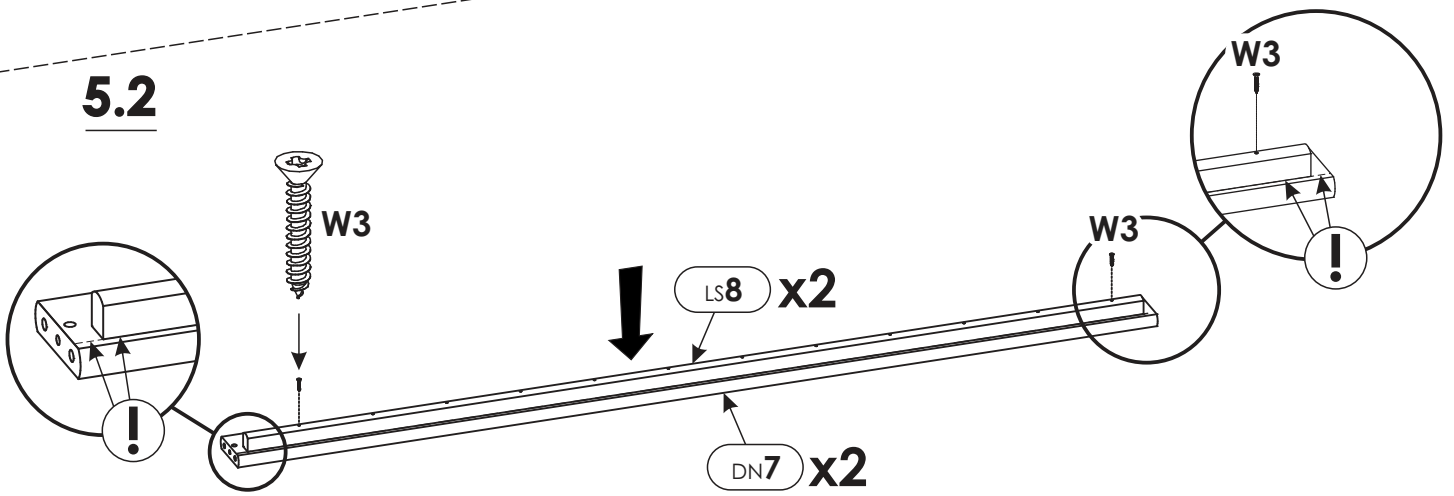


5.

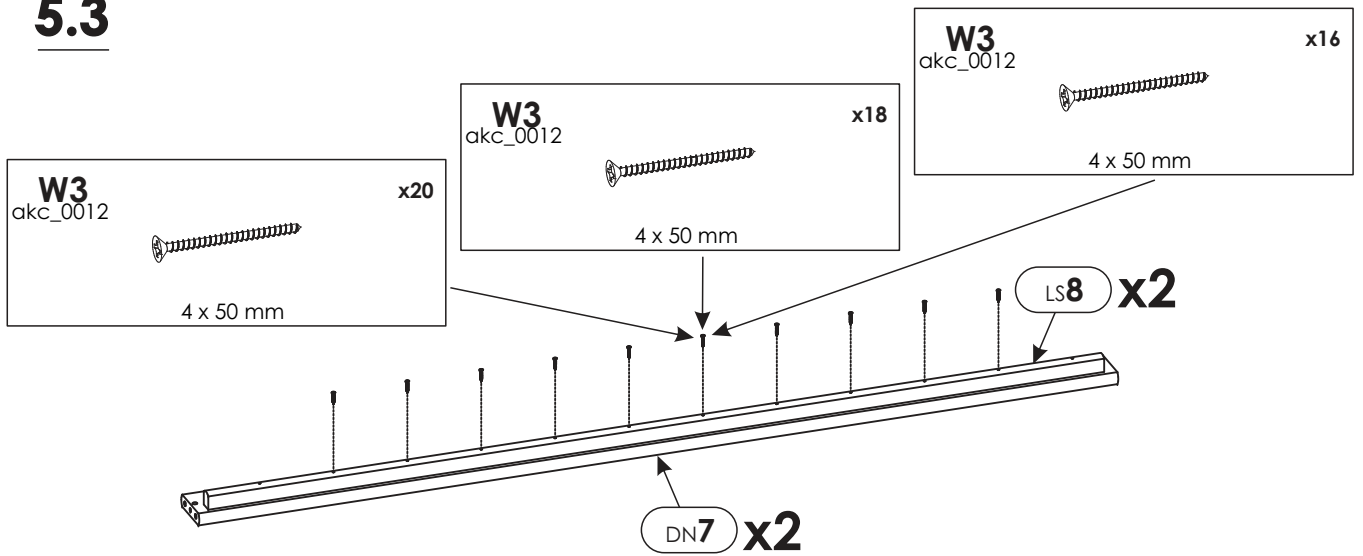
5.1



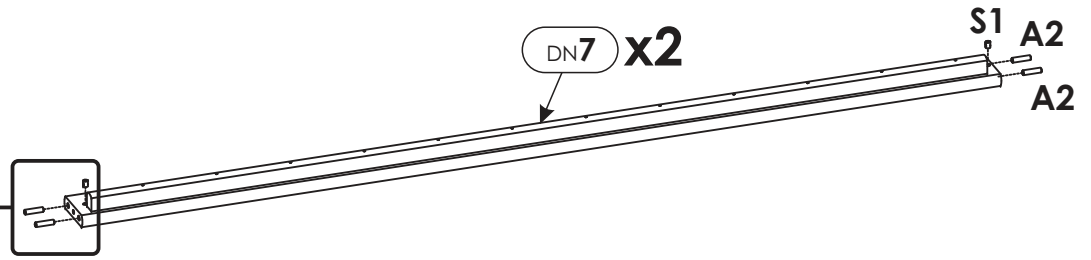
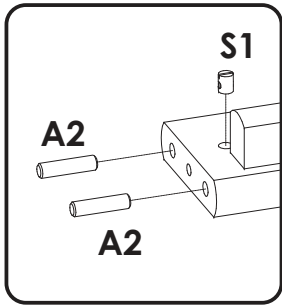
5.2



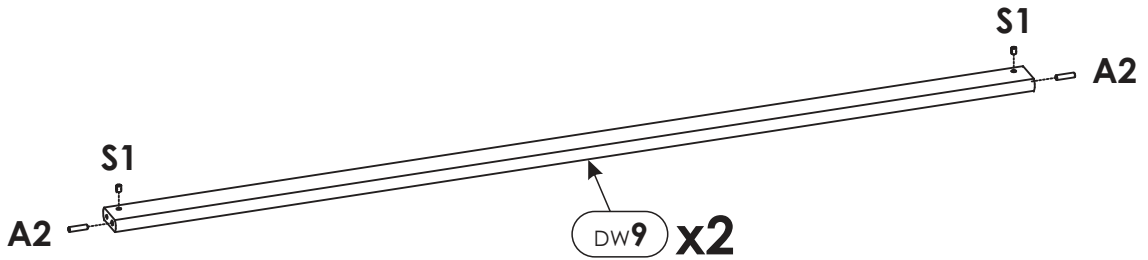
5.3



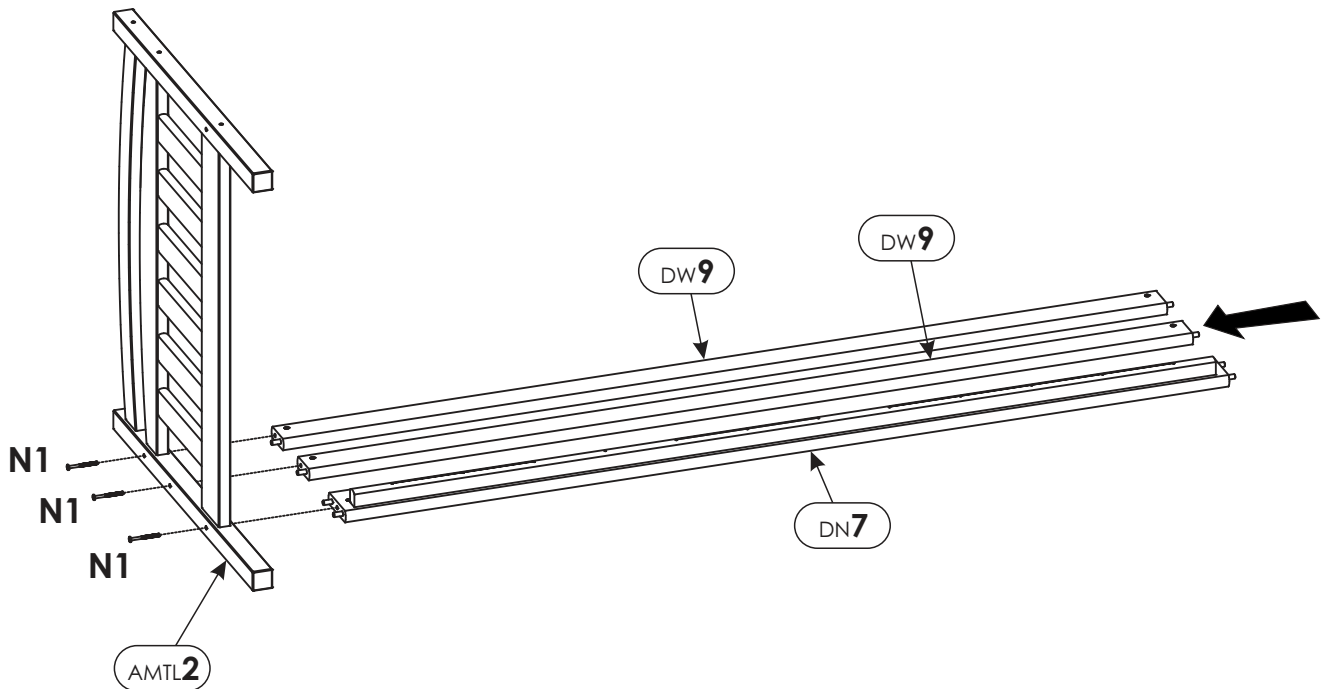
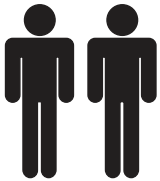
5.4



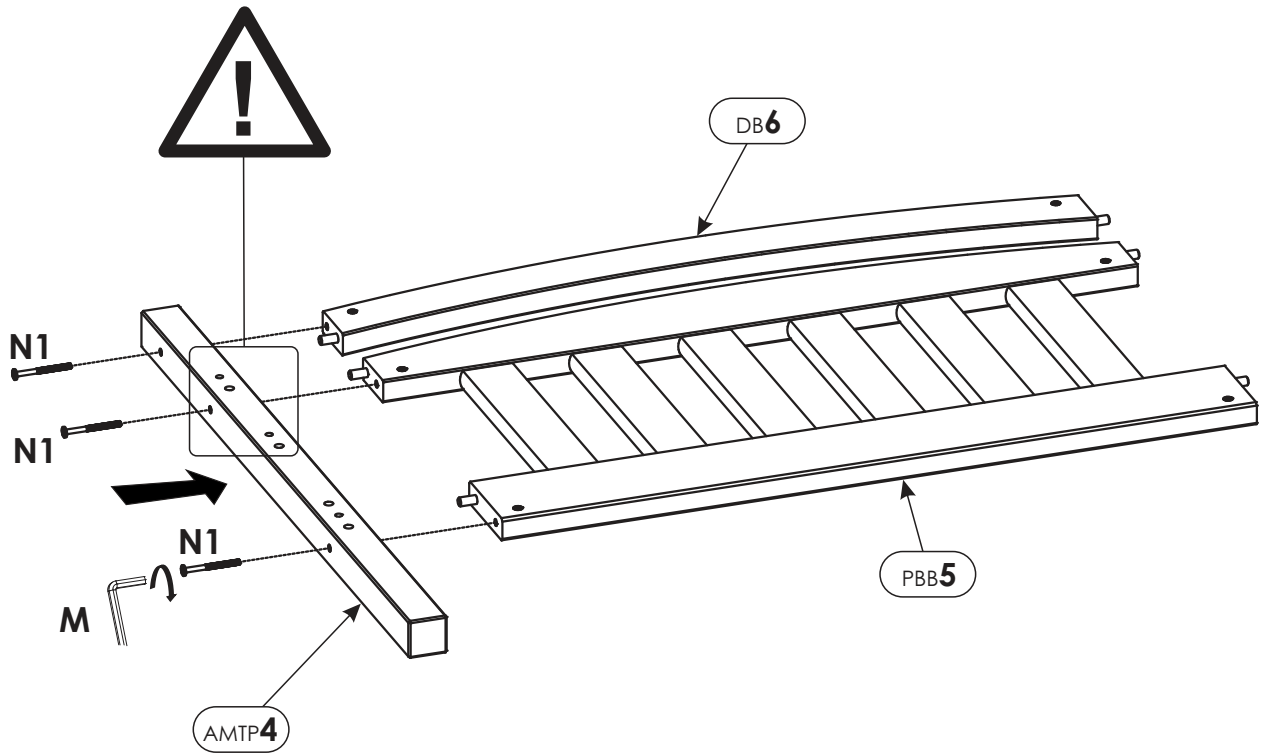
6.



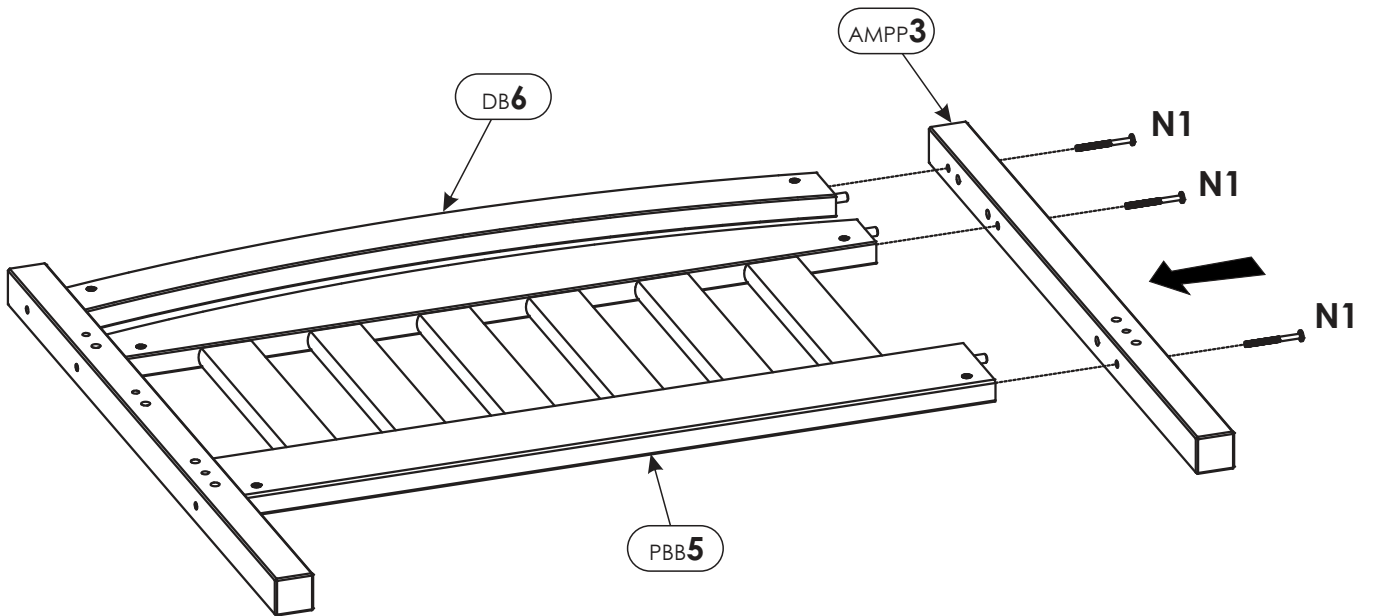
7.



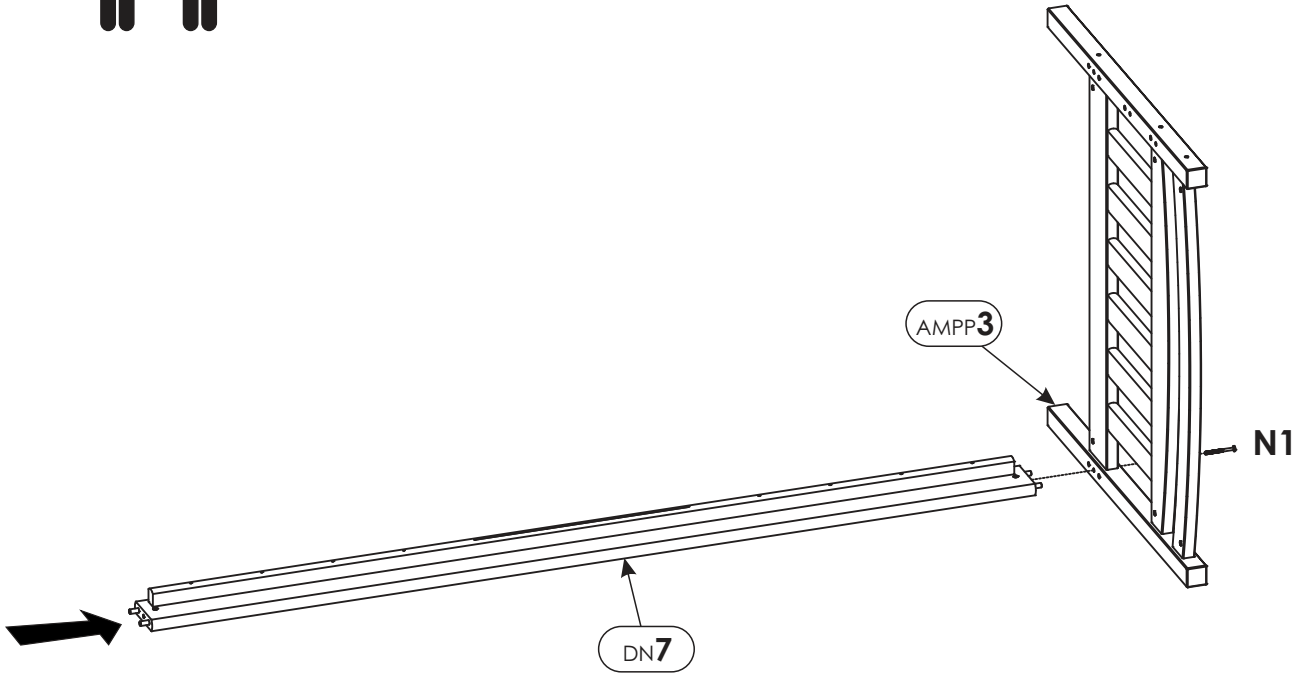
8.



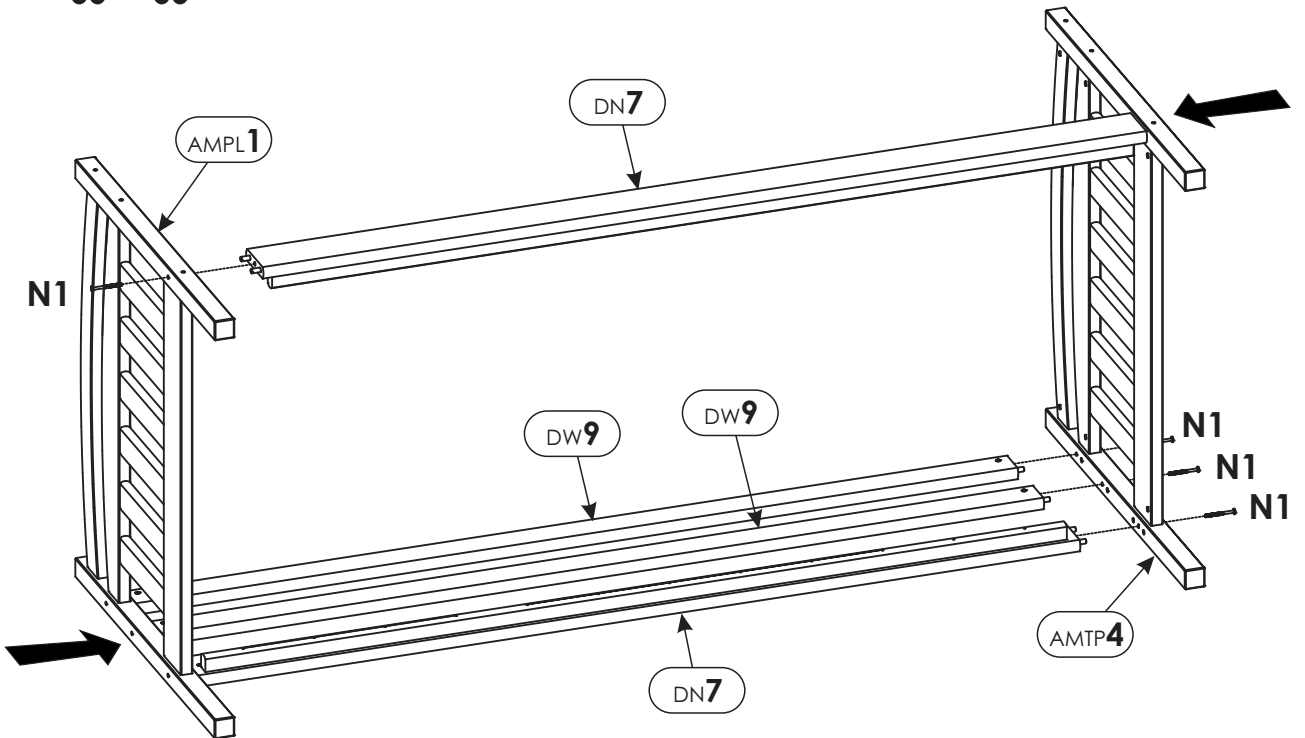
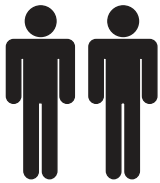
9.



10.



11.



12.

