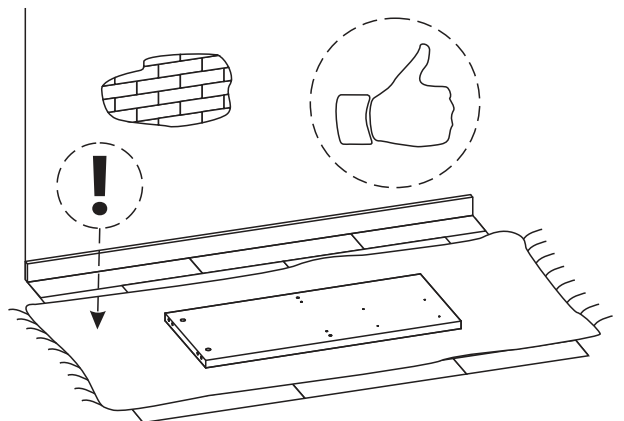
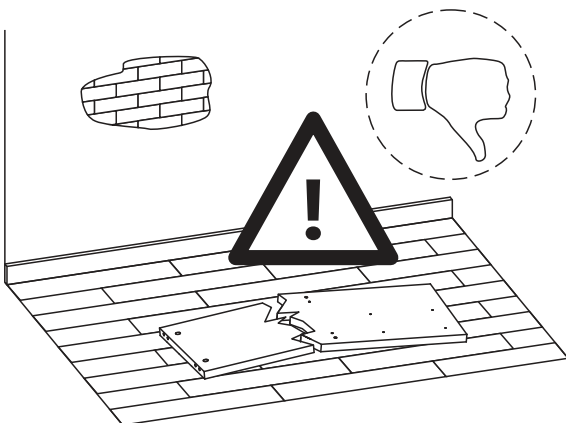
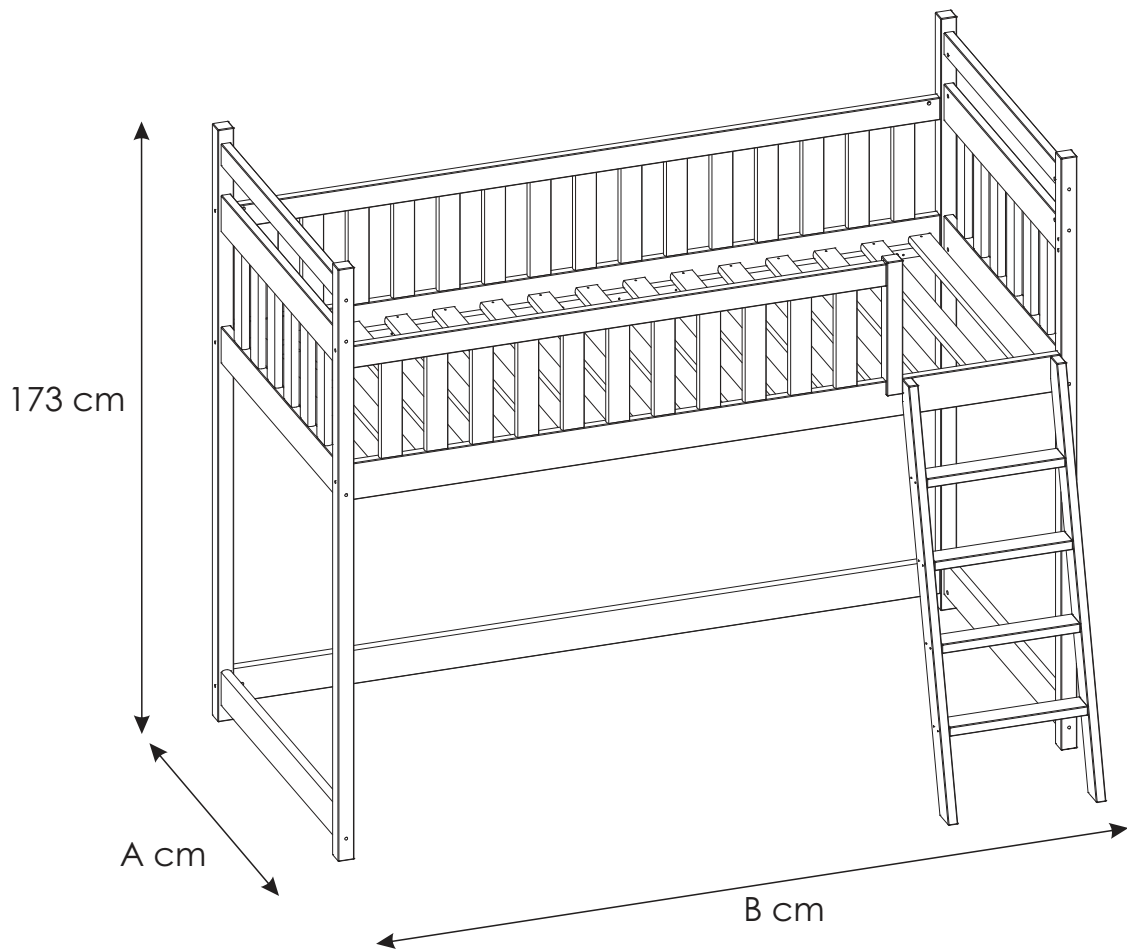
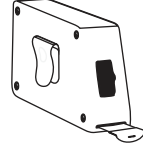
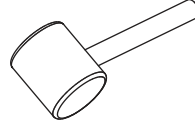
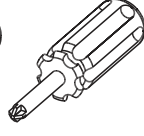
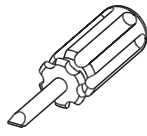
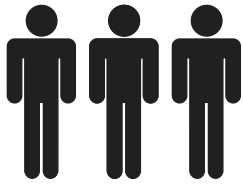
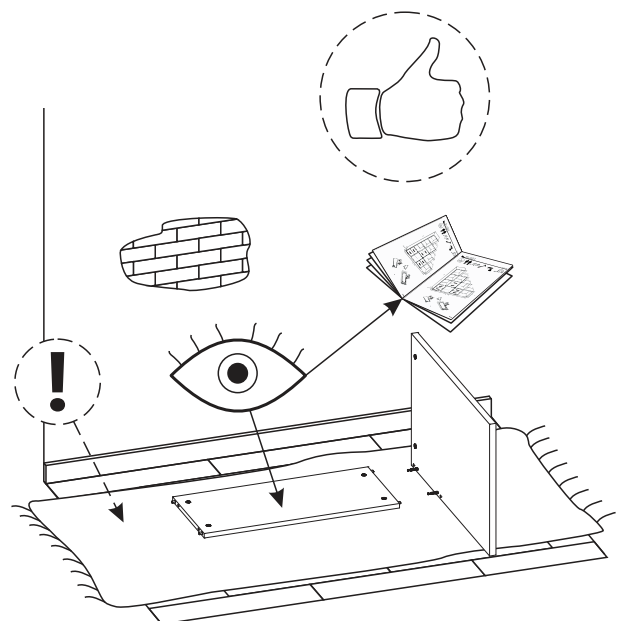
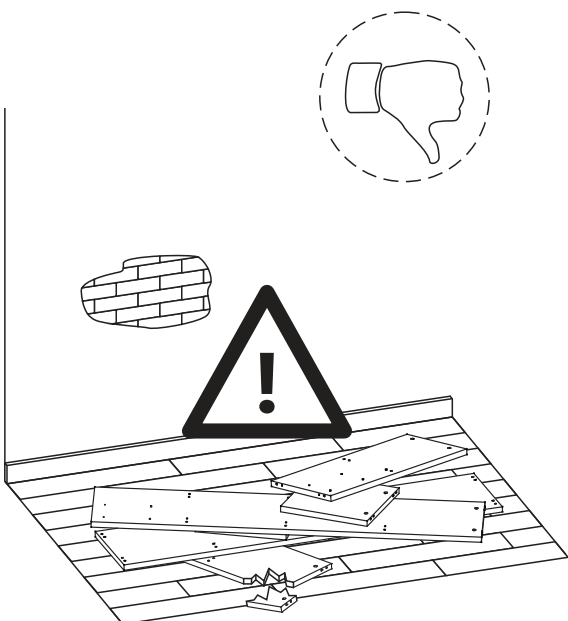
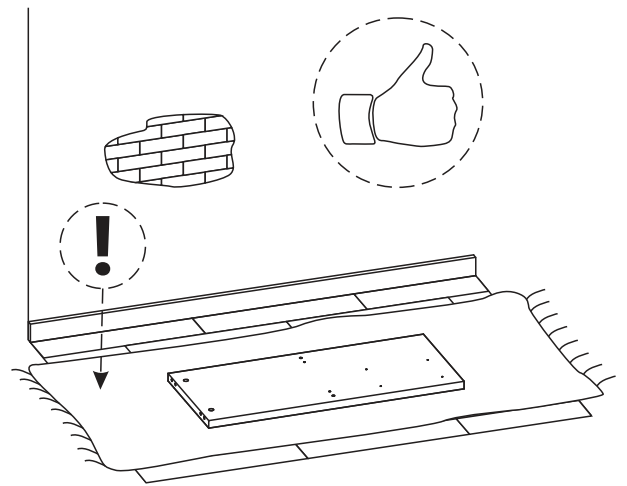
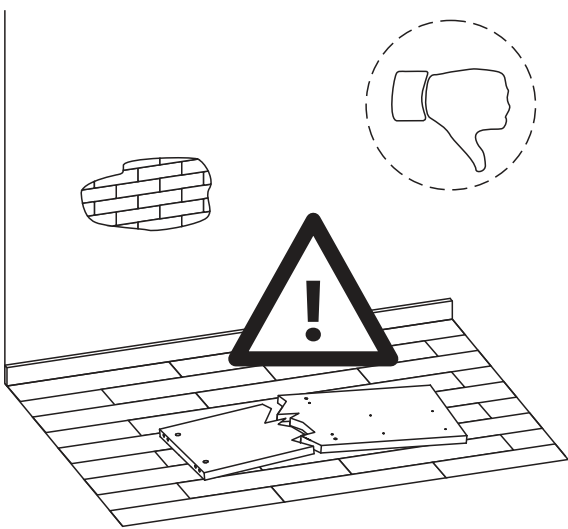
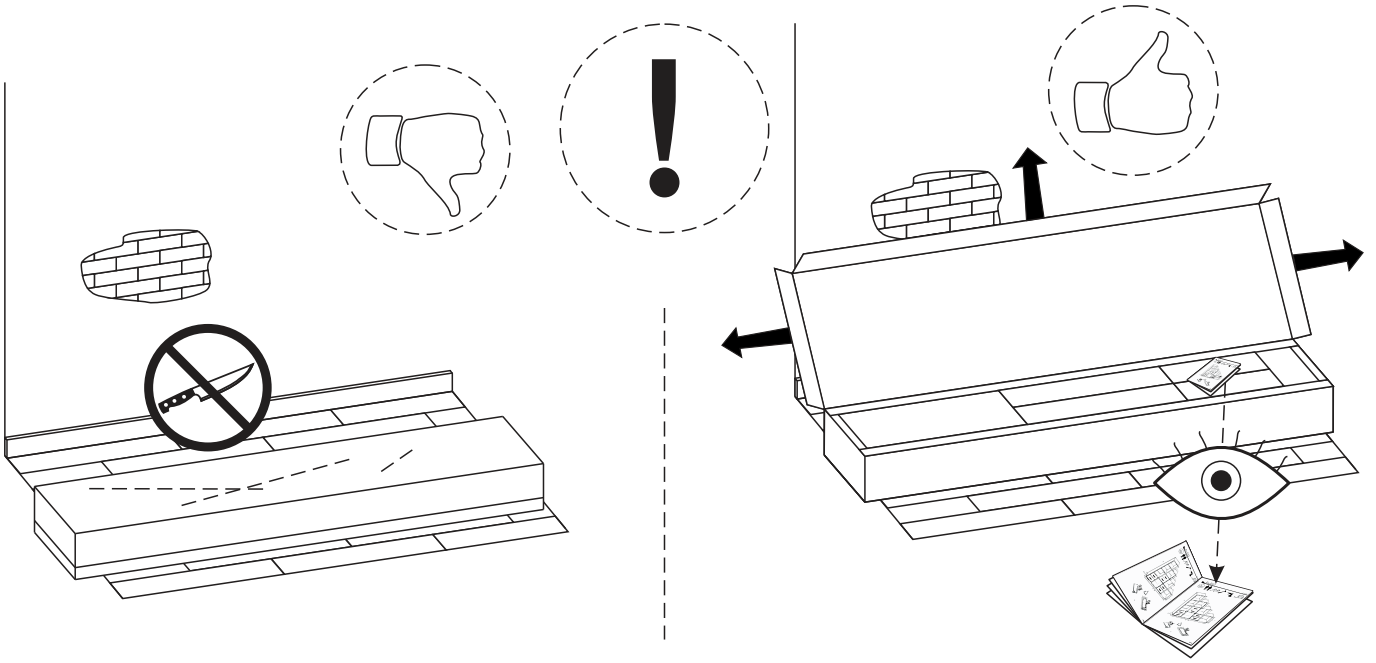
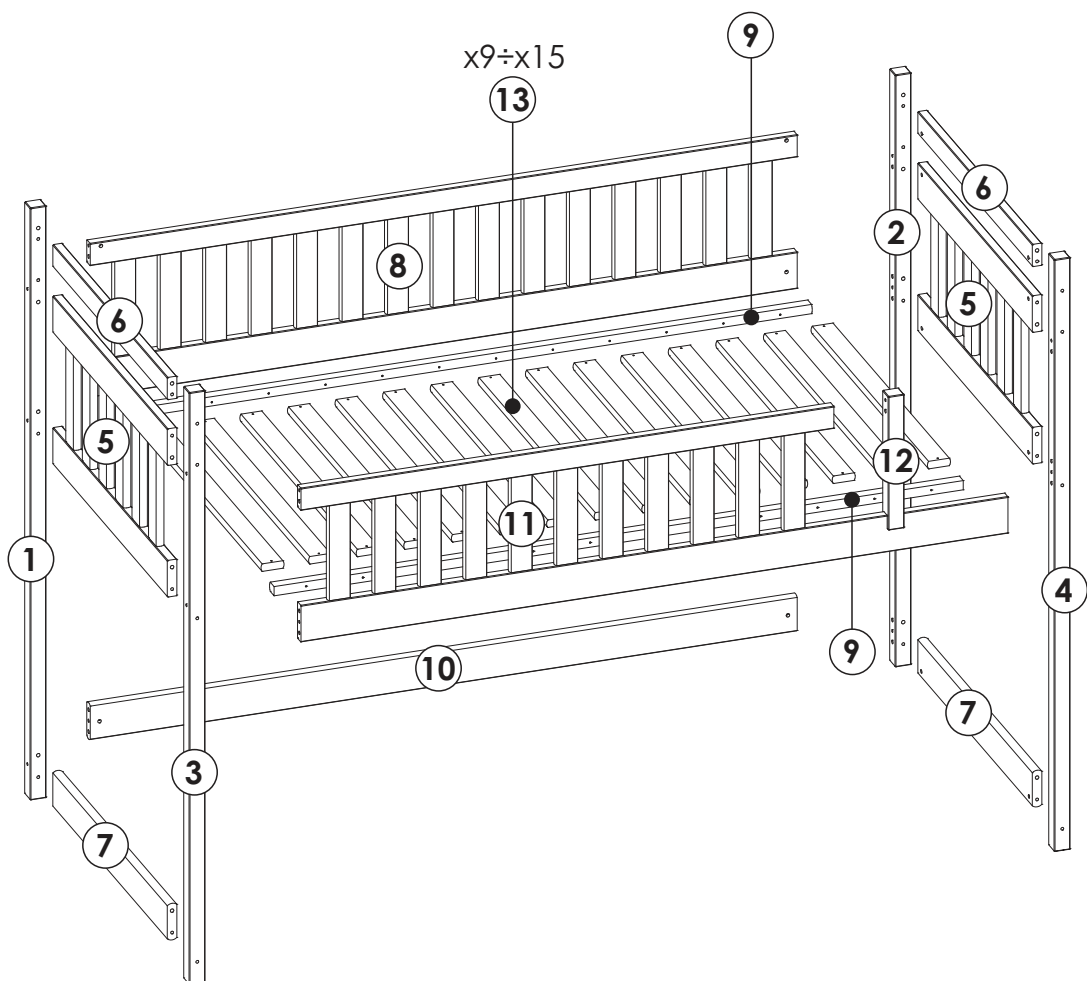
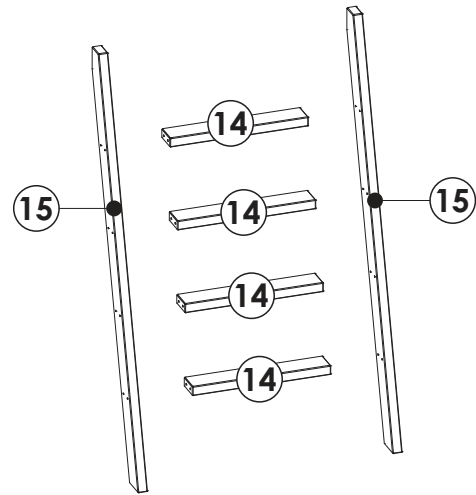
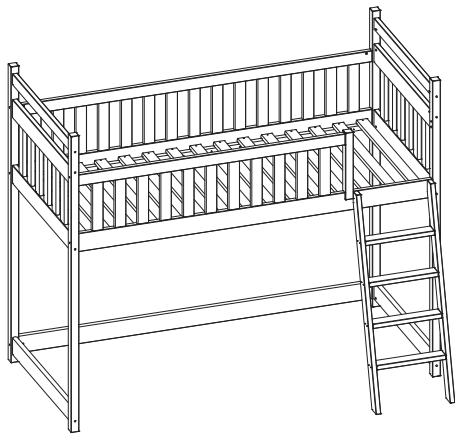


KAMIL





KAMIL



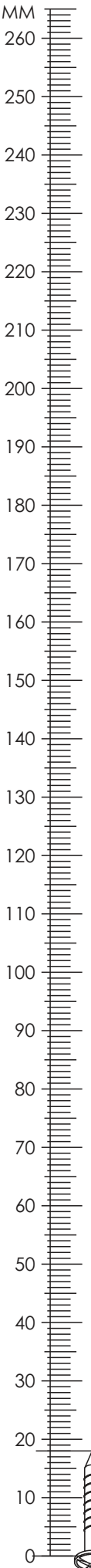
KAMIL

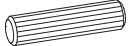





KTL1	1728	45	45	x1	KNTL_02040
KTP2	1728	45	45	x1	KNTP_02050
KPL3	1728	45	45	x1	KNPL_02060
KPP4	1728	45	45	x1	KNPP_02070
PB5	585,685,785,885,985	491	27	x2	PS_00470 DP_00480
DP6	585,685,785,885,985	65	27	x2	DP65_01160
DST7	585,685,785,885,985	107	27	x2	DST_00120
PT8	1190,1390,1590,1690,1790,1890,1990	449	27	x1	PS_00470 DPDC_00670 DPDC_00680
LS9	1140,1340,1540,1640,1740,1840,1940	35	27	x2	LS_00160
DN10	1190,1390,1590,1690,1790,1890,1990	107	27	x1	DN_00110
PP11	1190,1390,1590,1690,1790,1890,1990	449	27	x1	PS_00470 DPDC_00660 DPDD_00640
WP12	390	45	45	x1	WPDP_01980
DSS14	390	65	27	x4	DSS_00210
DDS15	1200	65	27	x2	DDS_00500

OPTION


DS13	B=2000	600, 700, 800, 900, 1000	65	22	x15	DS_00170
	B=1900				x14	
	B=1800				x13	
	B=1700				x13	
	B=1600				x12	
	B=1400				x10	
	B=1200				x9	


KAMIL



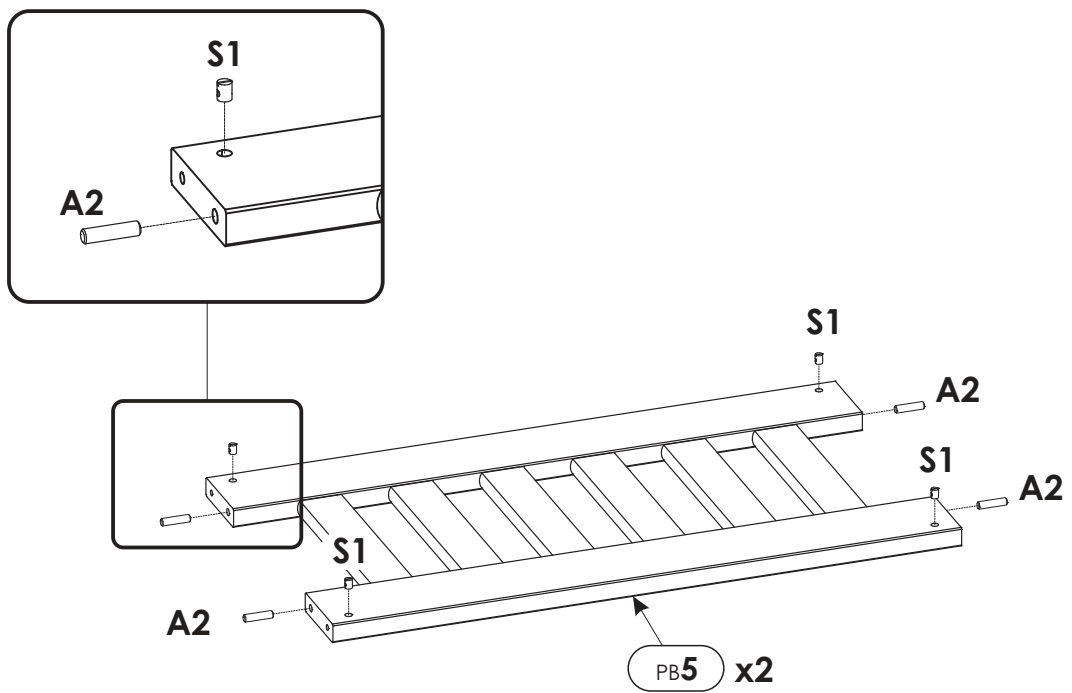
<p>A2 akc_0002</p>  <p>10 x 40 mm</p> <p style="text-align: right;">x32</p>	<p>K1 akc_0004</p>  <p>6,4 x 50 mm</p> <p style="text-align: right;">x16</p>	<p>M akc_0005</p>  <p style="text-align: right;">x1</p>
<p>N1 akc_0006</p>  <p>6 x 80 mm</p> <p style="text-align: right;">x26</p>	<p>S1 akc_0008</p>  <p>10 x 16 mm</p> <p style="text-align: right;">x26</p>	<p>W4 akc_0012</p>  <p>4 x 60 mm</p> <p style="text-align: right;">x2</p>

----- **OPTION** -----

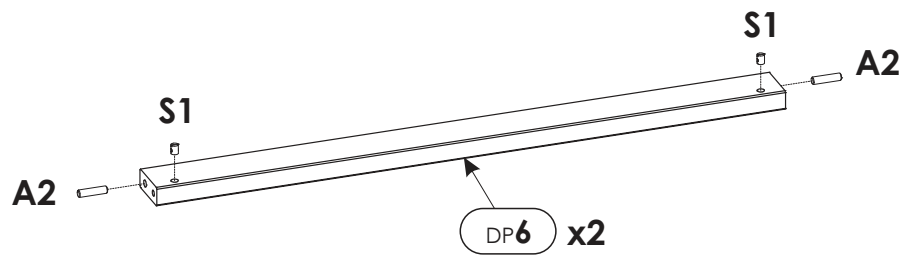
<p>W1 akc_0009</p>  <p>3,5 x 40 mm</p> <p style="text-align: right;">18 < x < 30</p>

<p>W3 akc_0011</p>  <p>4 x 50 mm</p> <p style="text-align: right;">20 < x < 24</p>

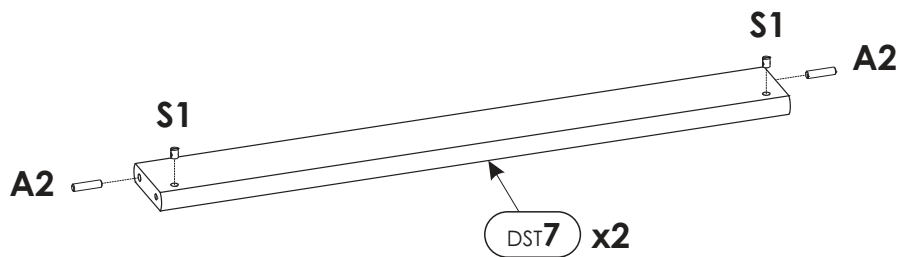
1.



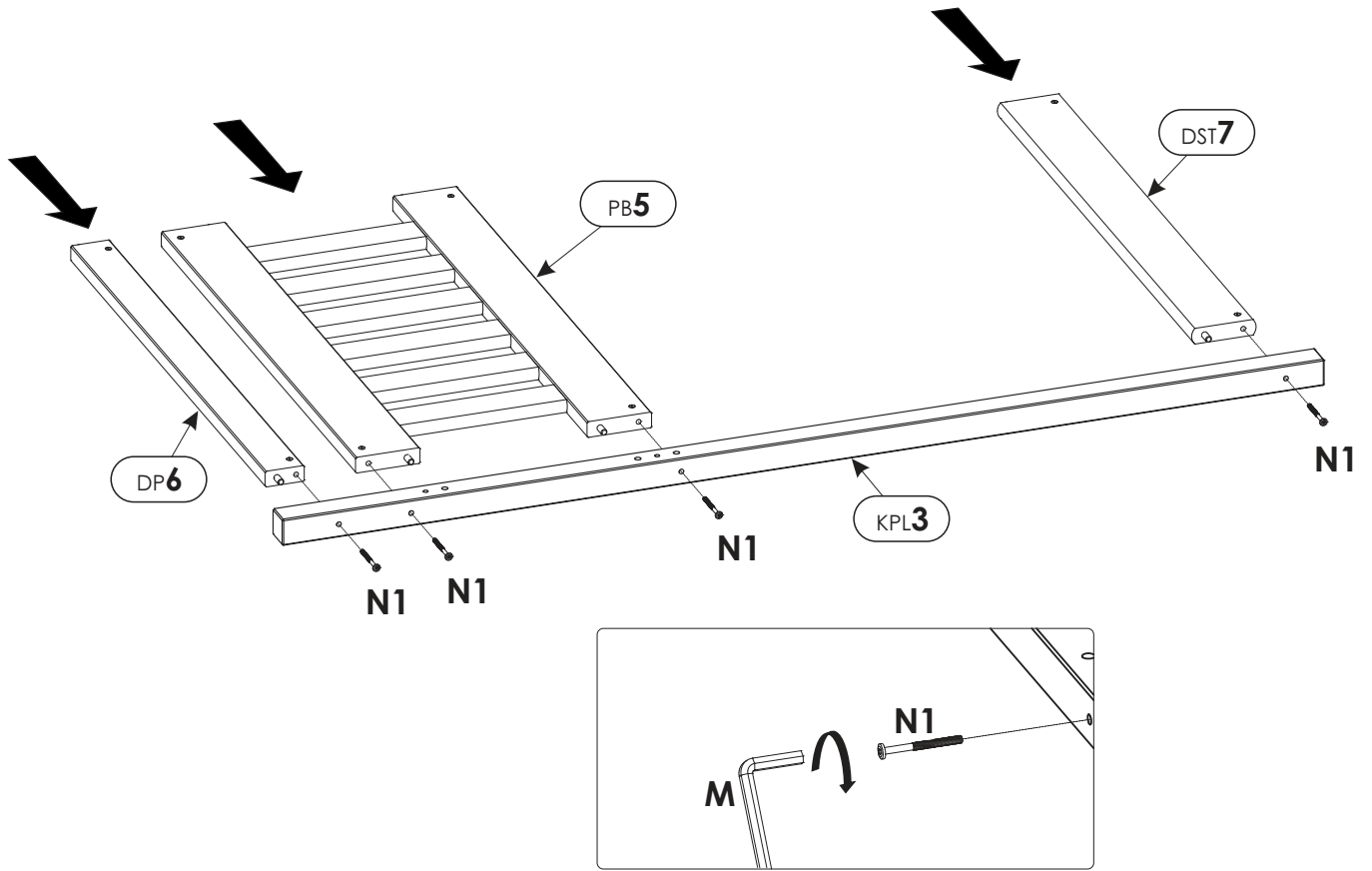
2.



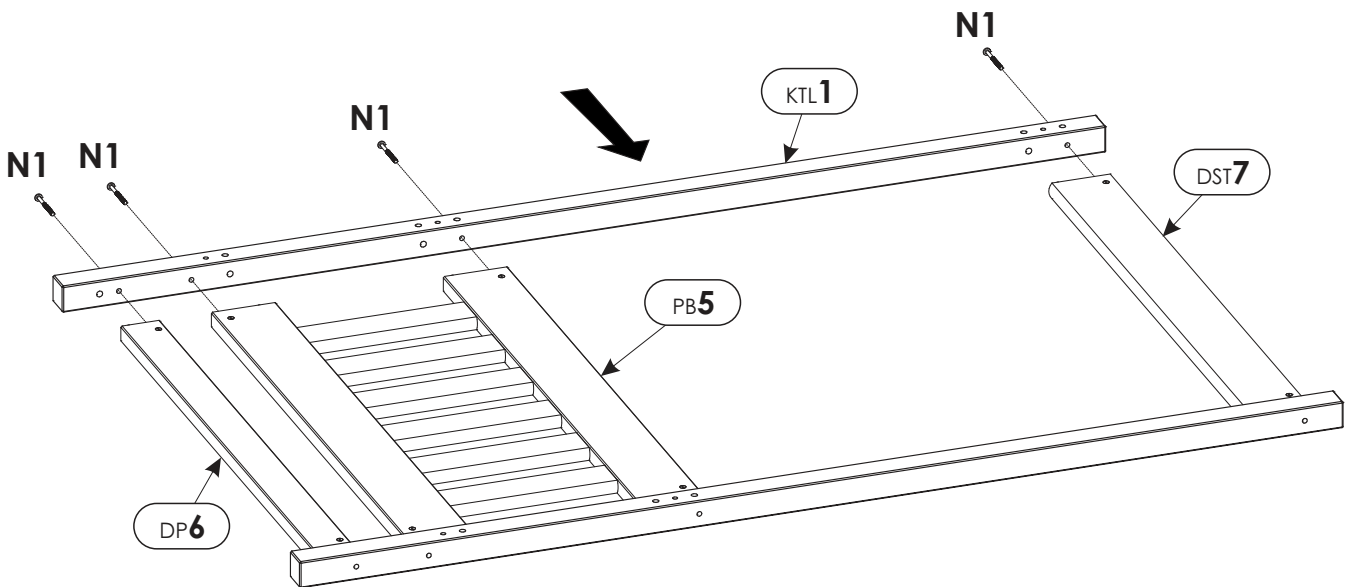
3.



4.

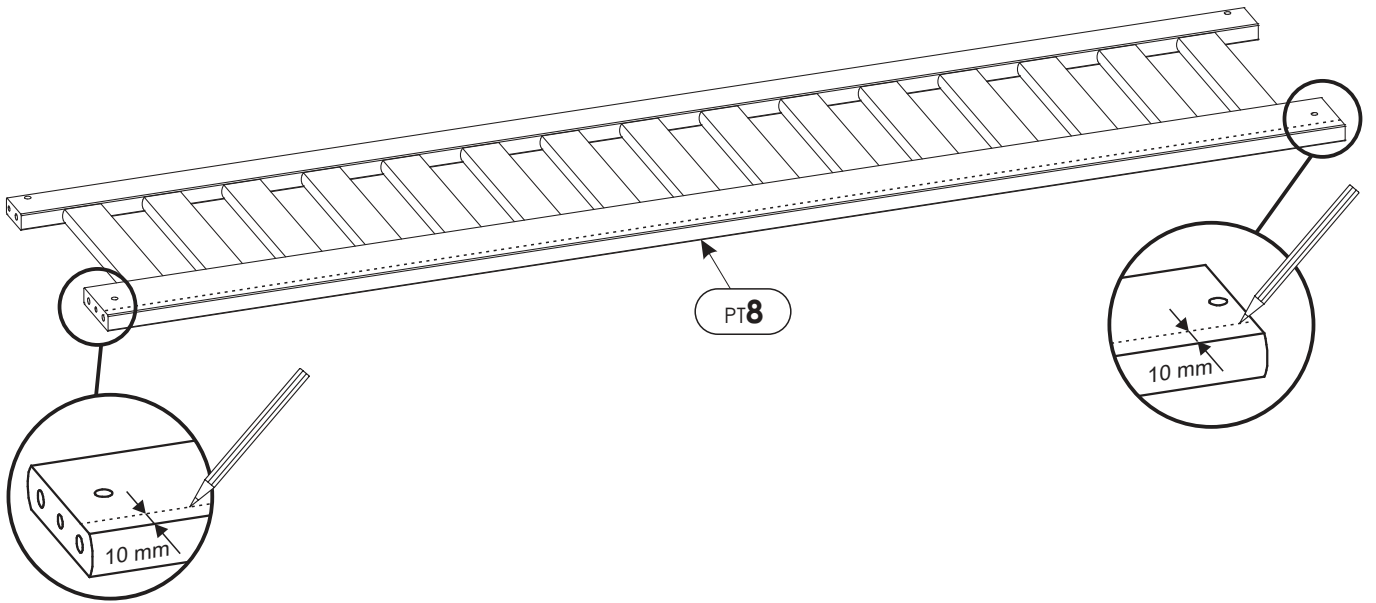


5.

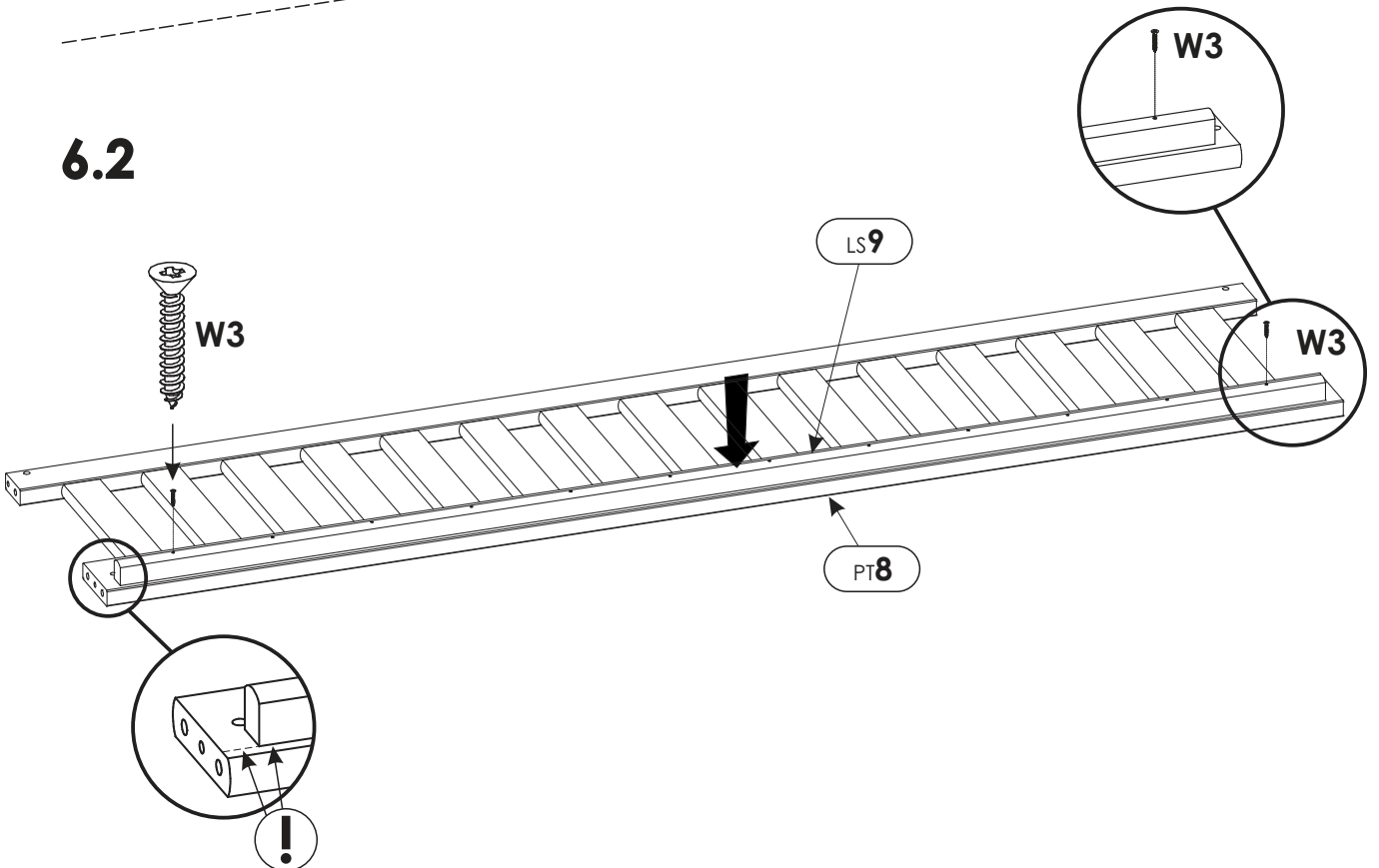


6.

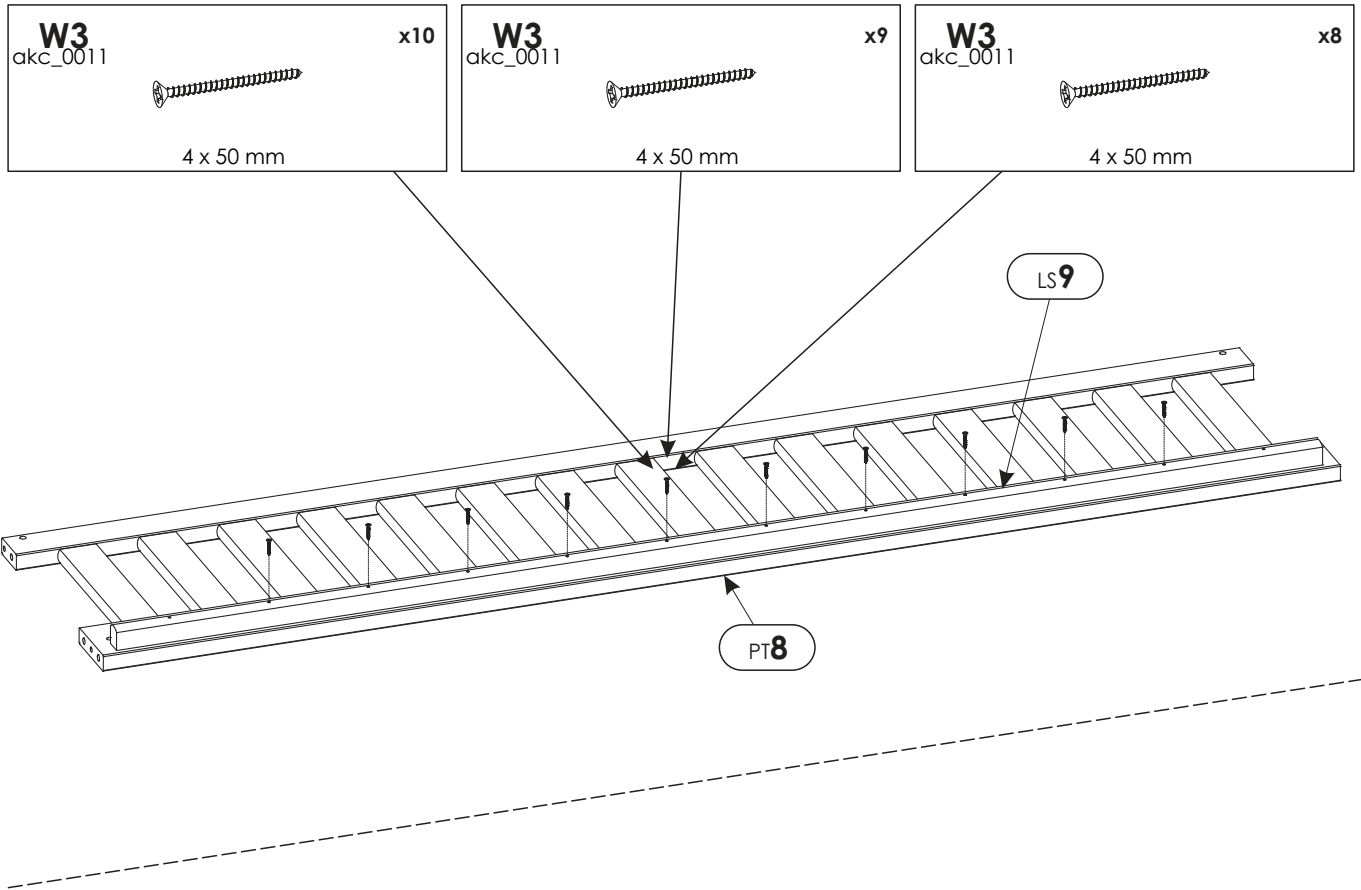
6.1



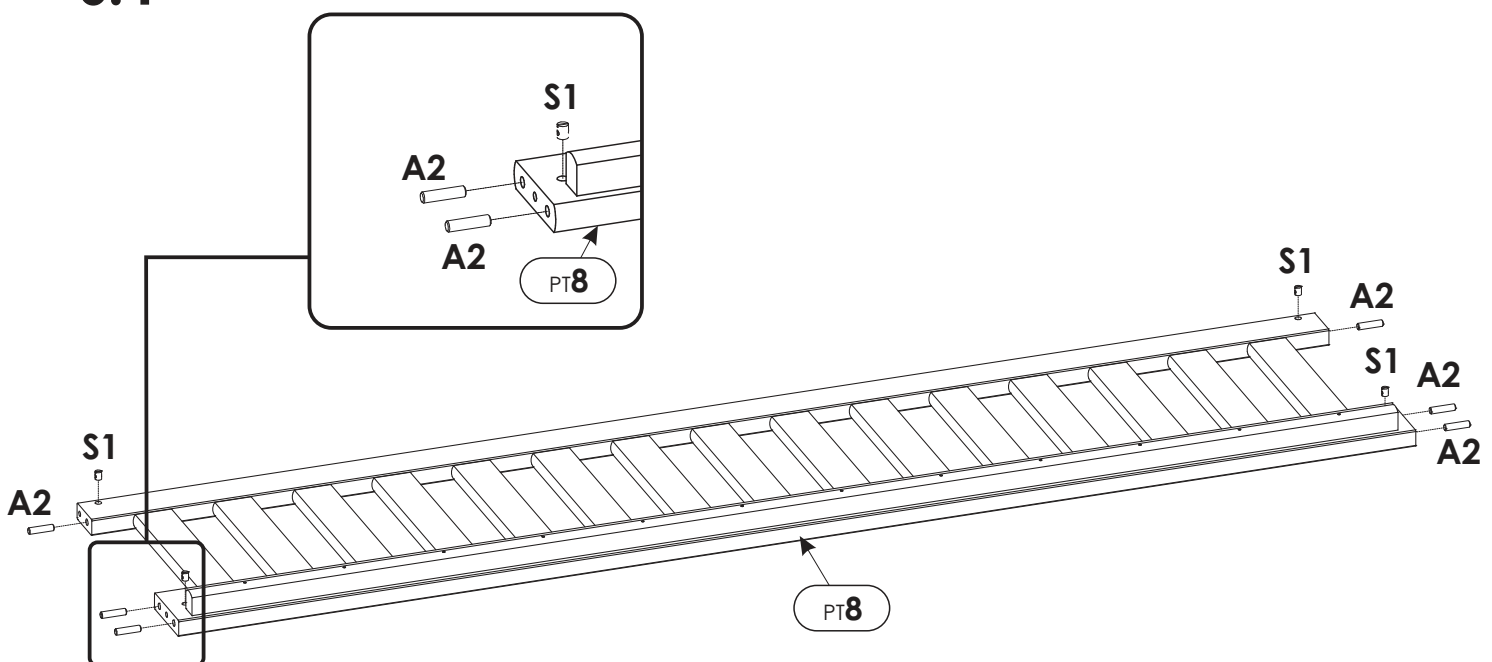
6.2



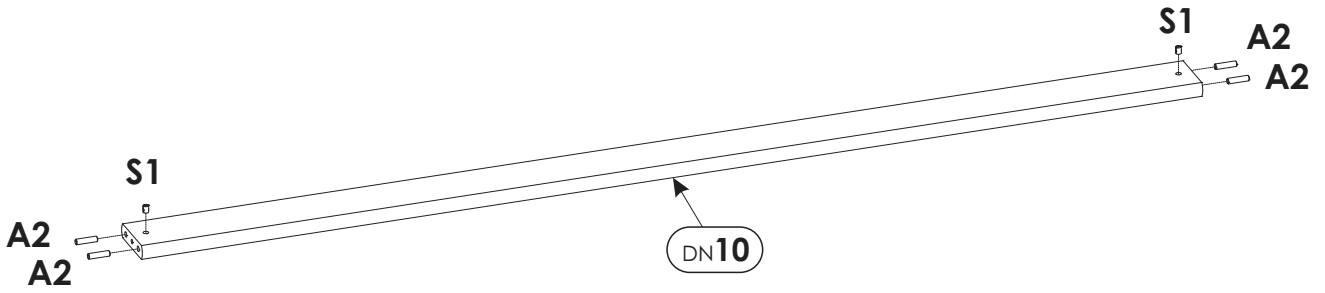
6.3



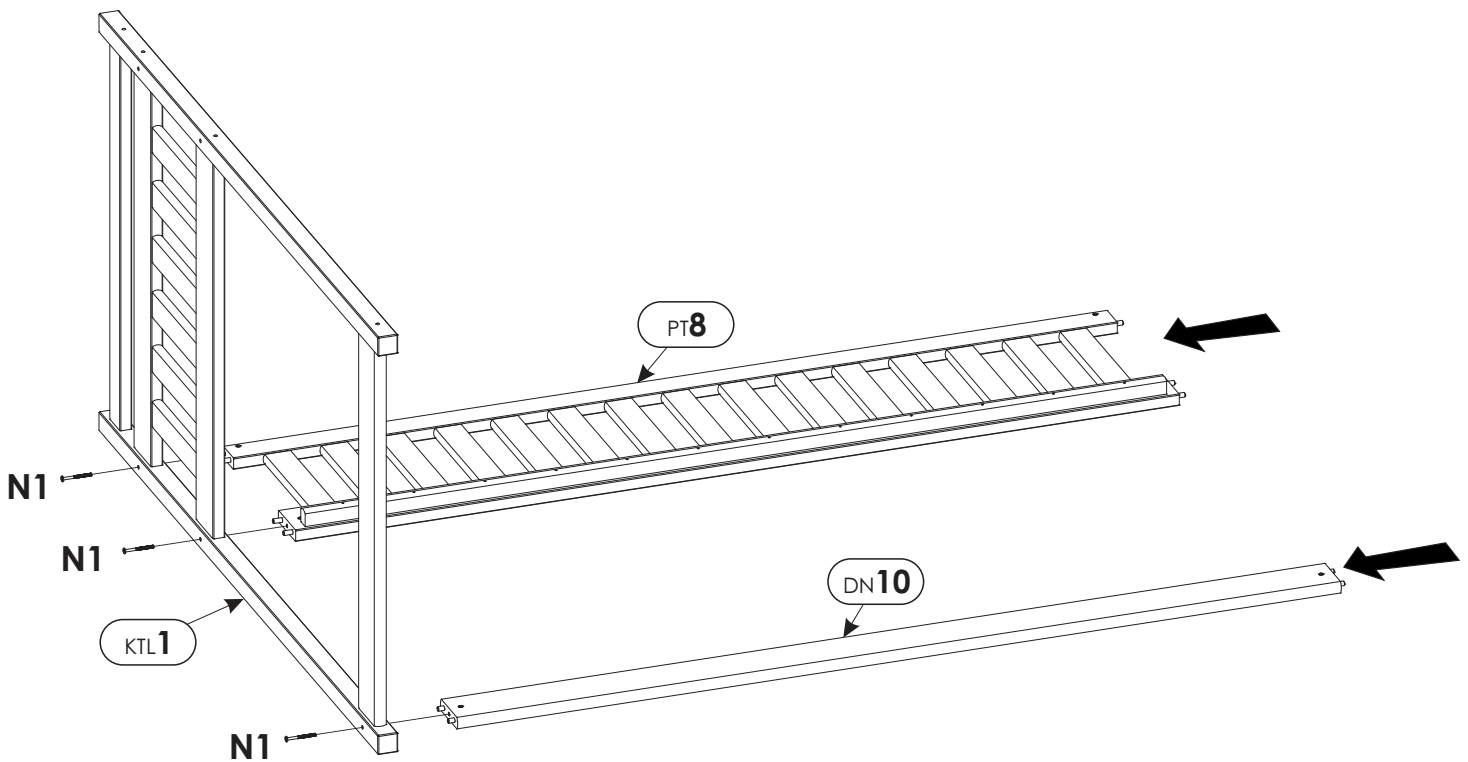
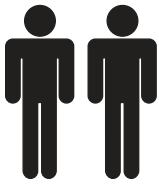
6.4



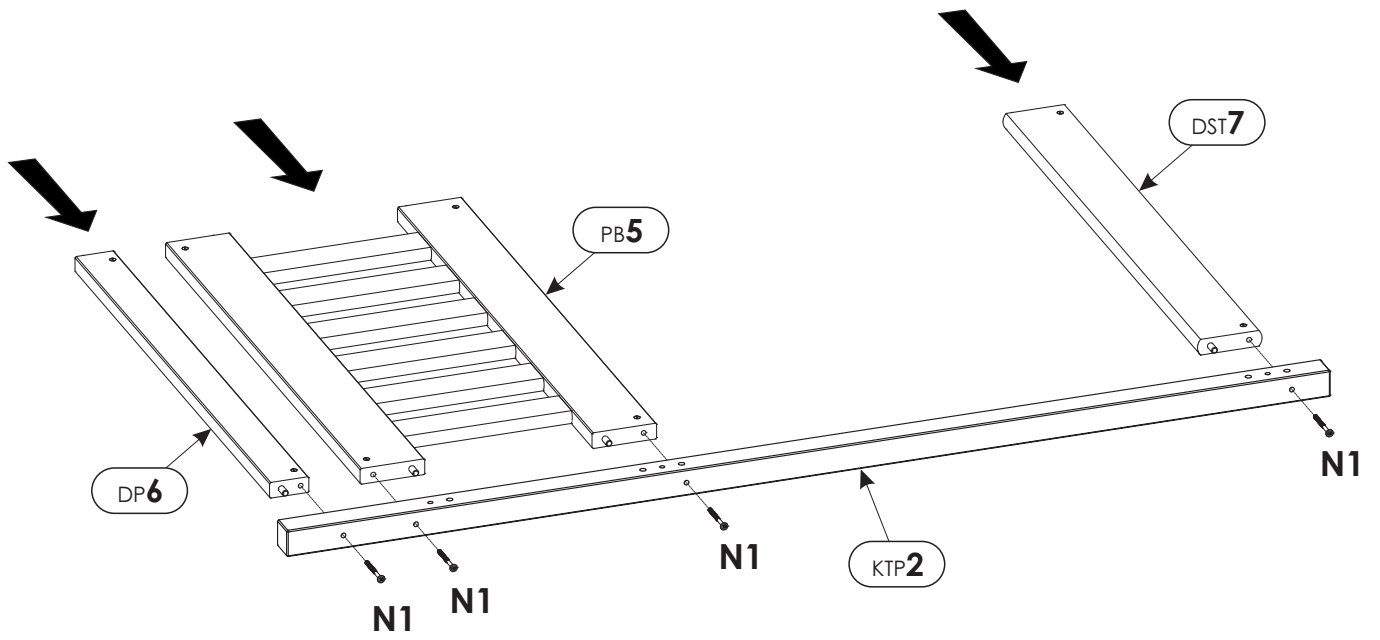
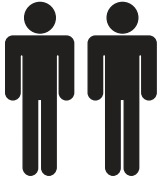
7.



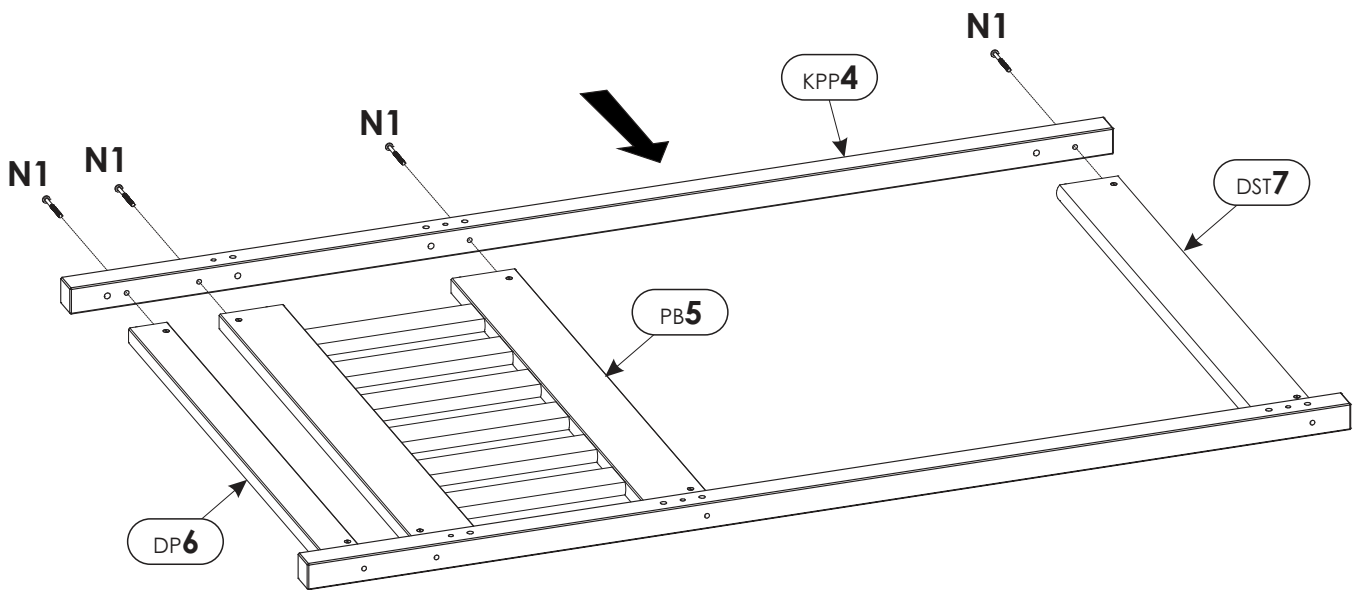
8.



9.

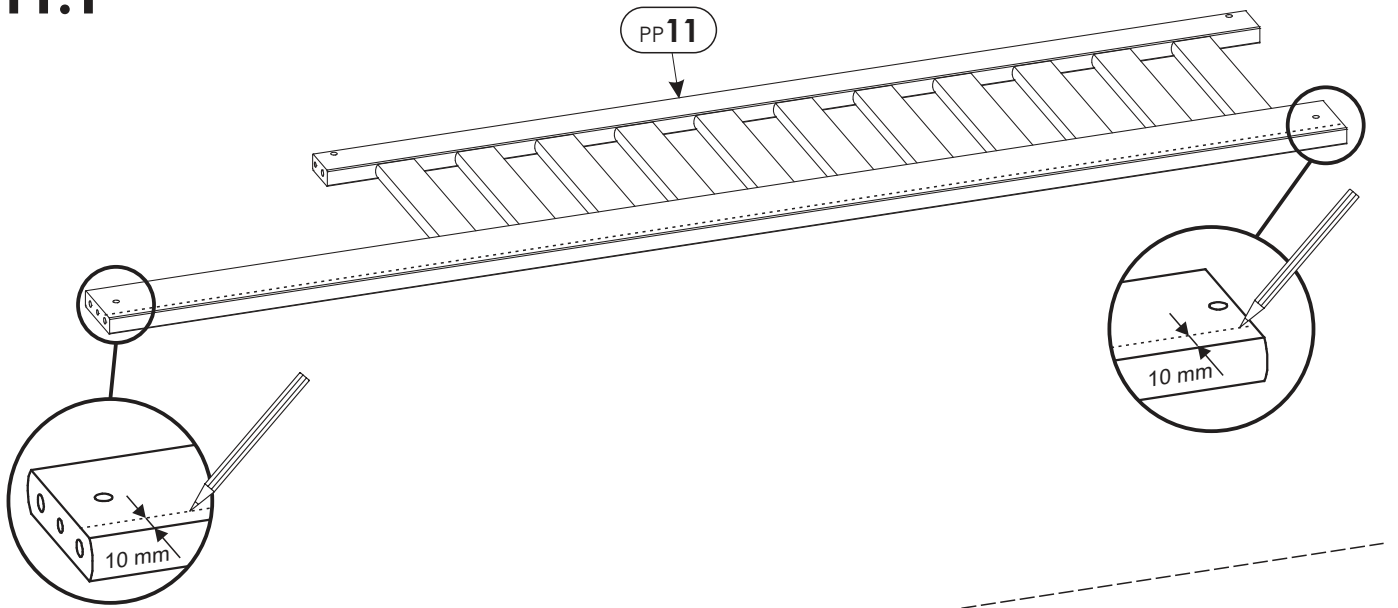
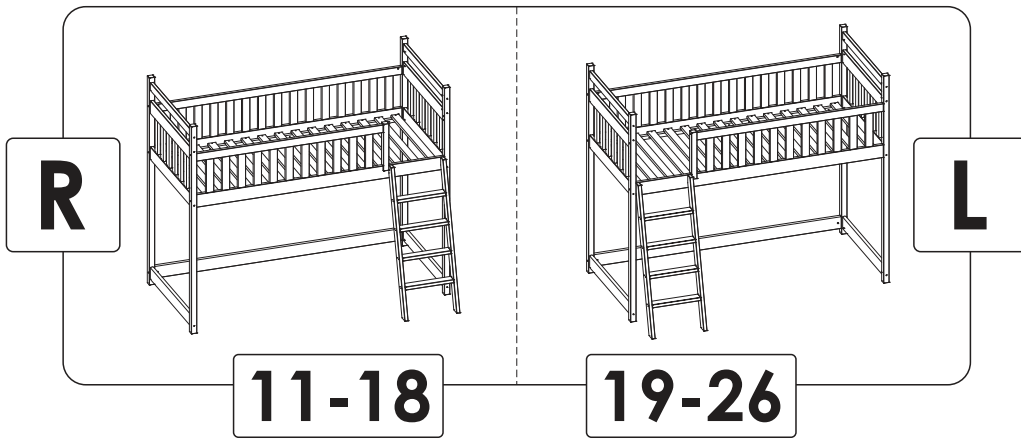


10.

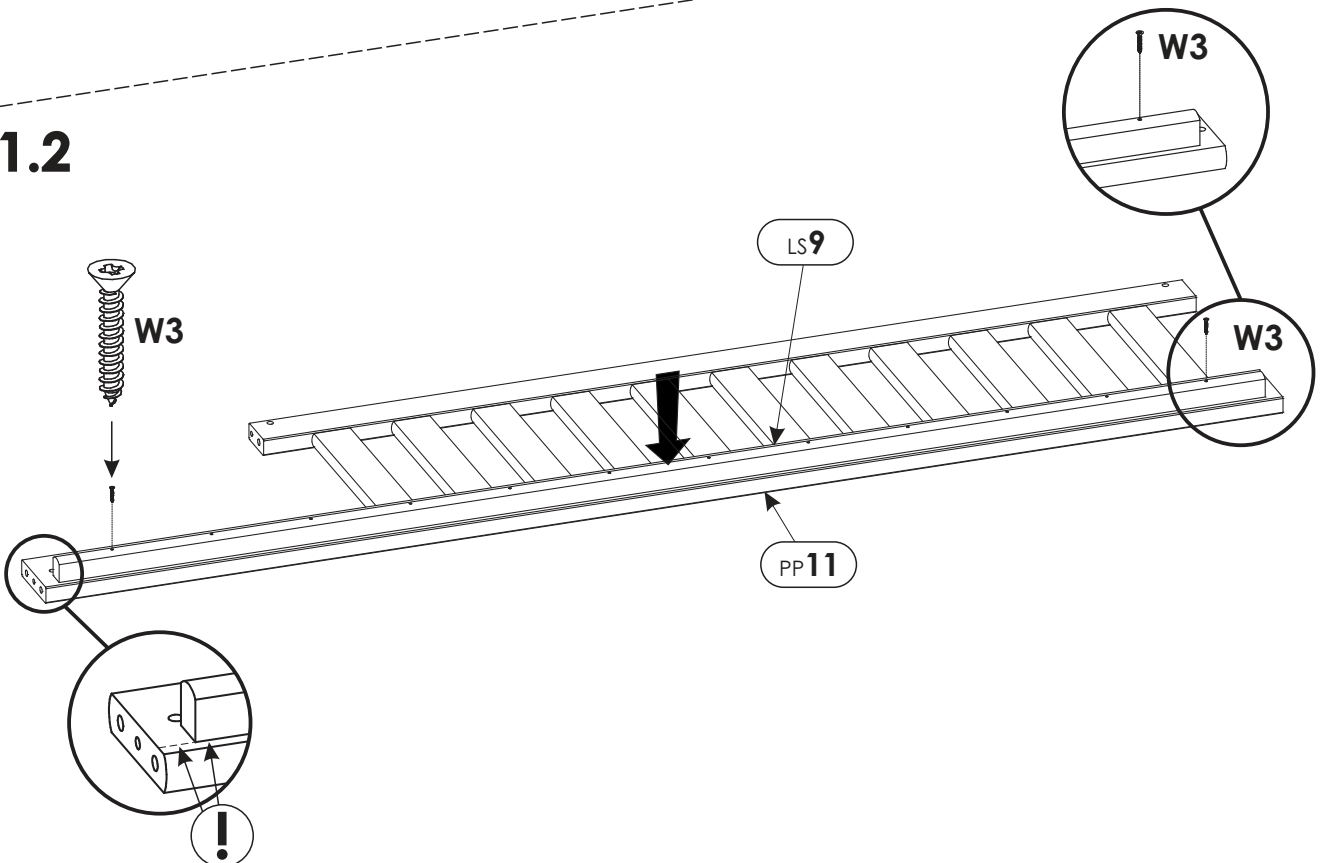


11.

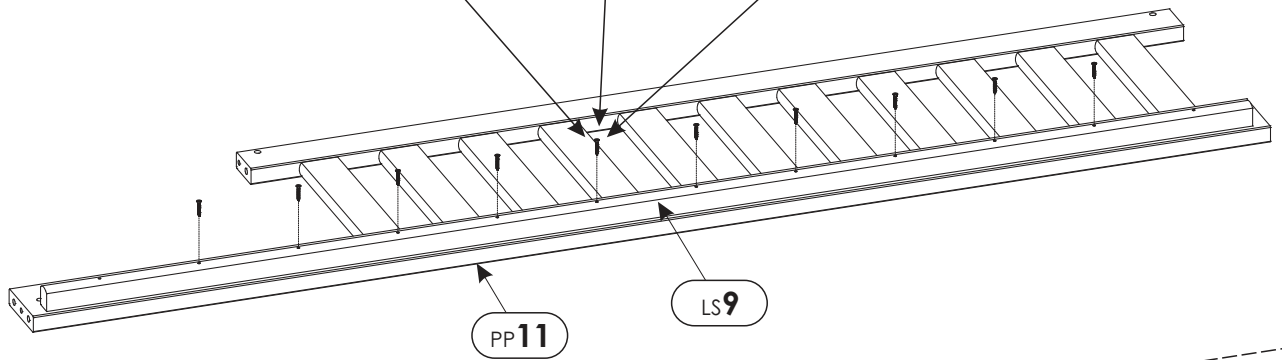
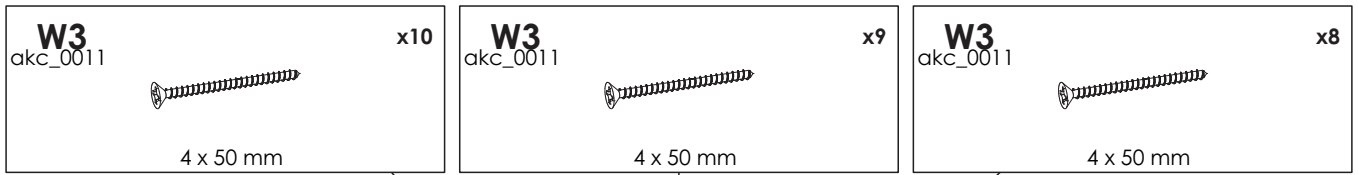
11.1



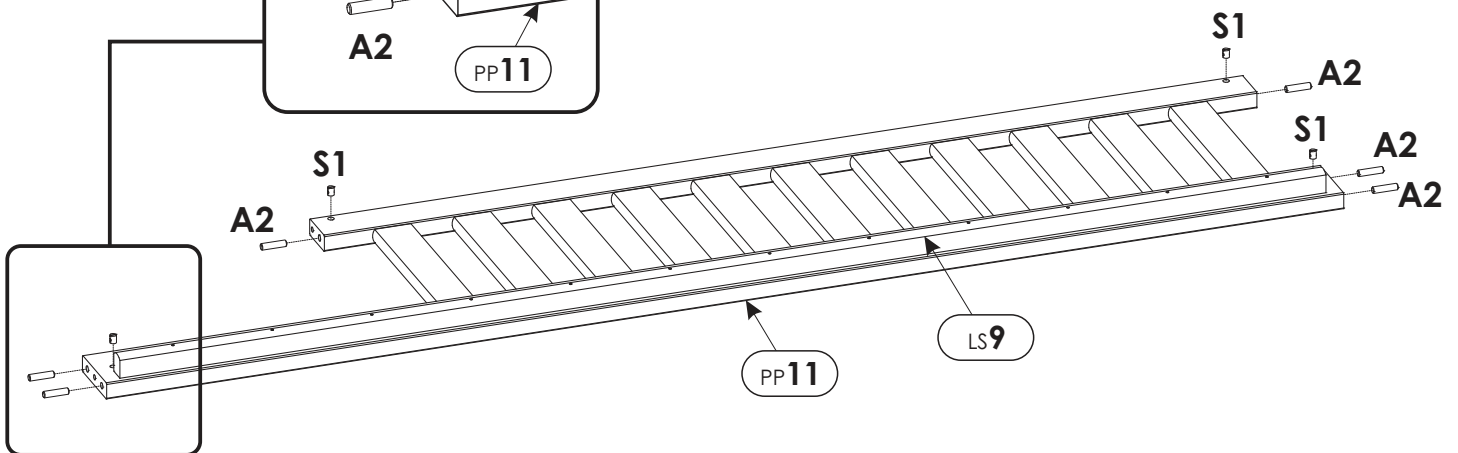
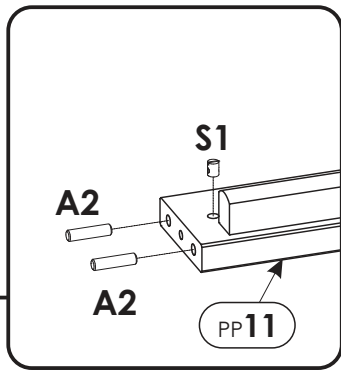
11.2



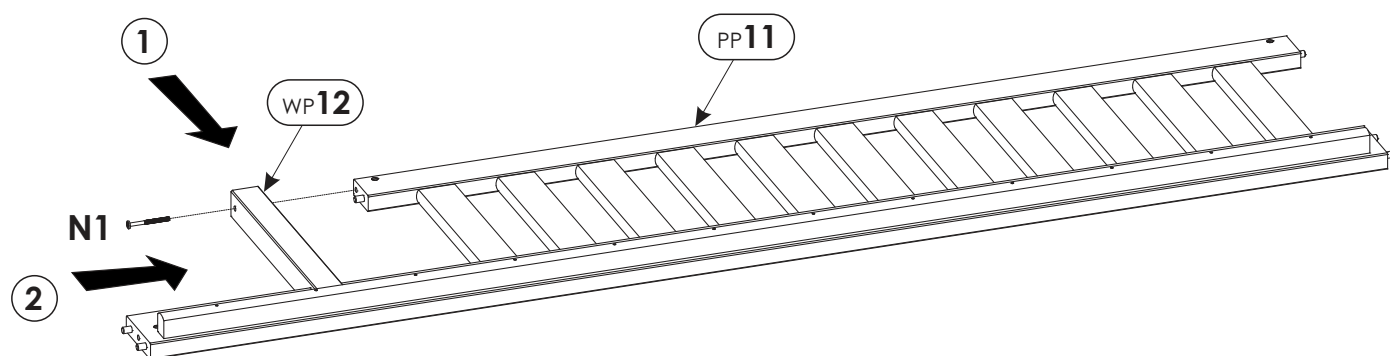
11.3



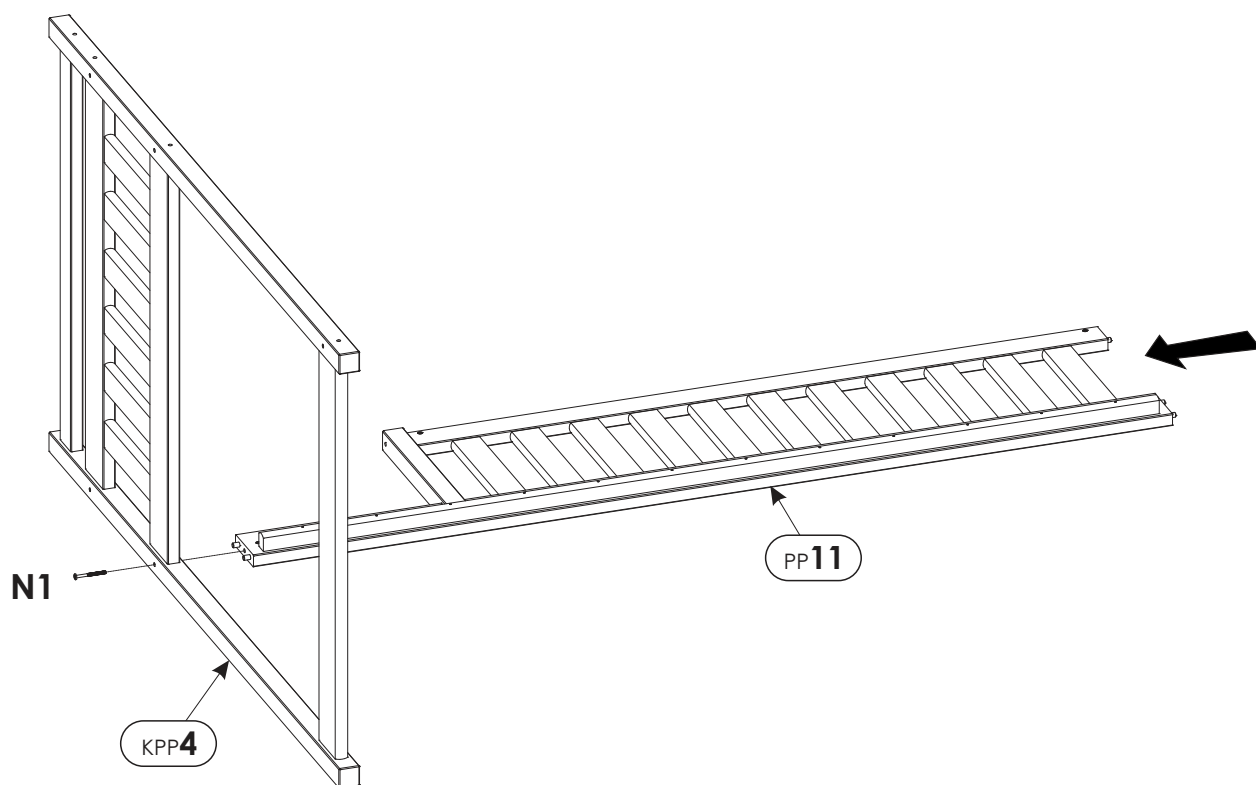
11.4



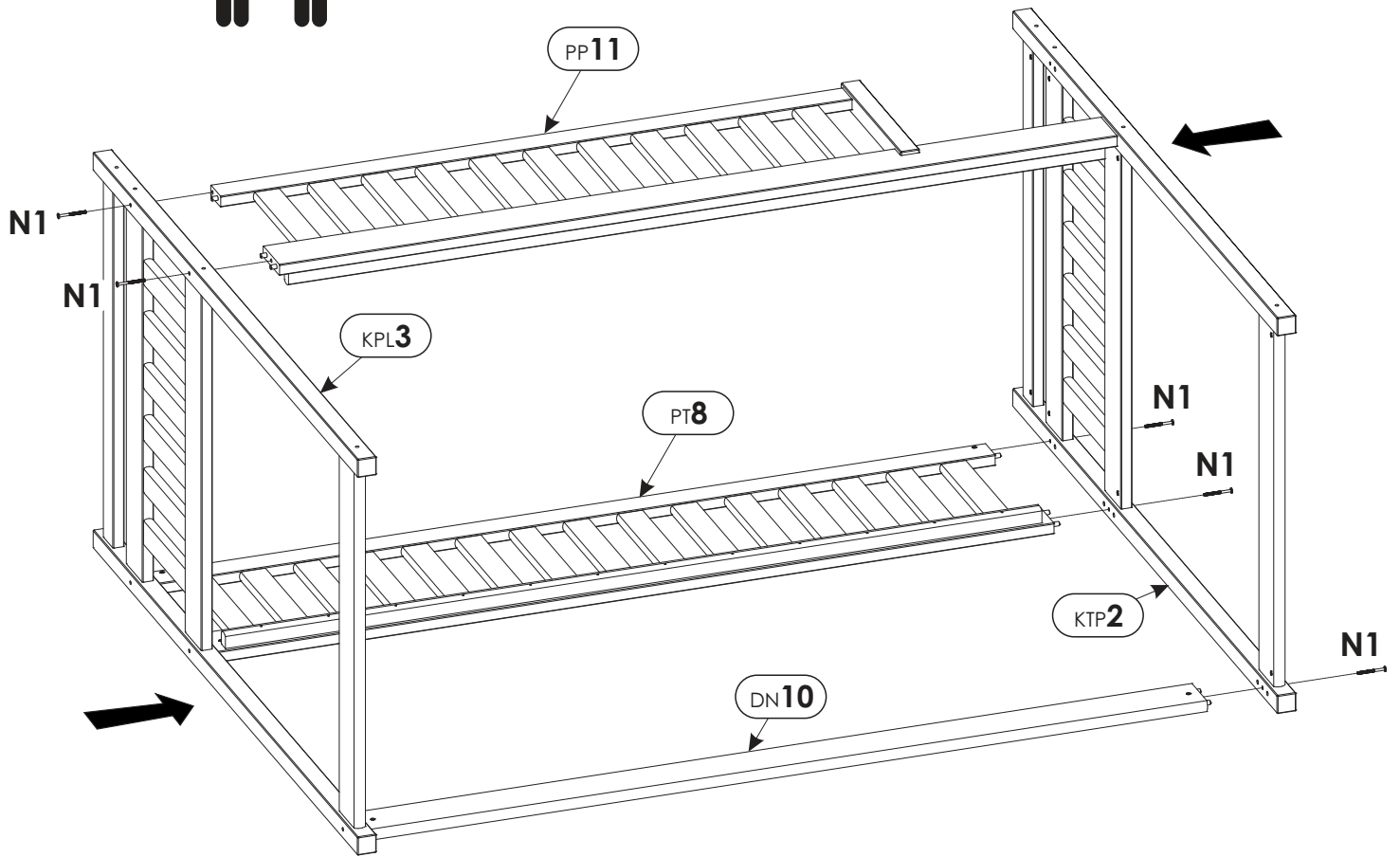
12.



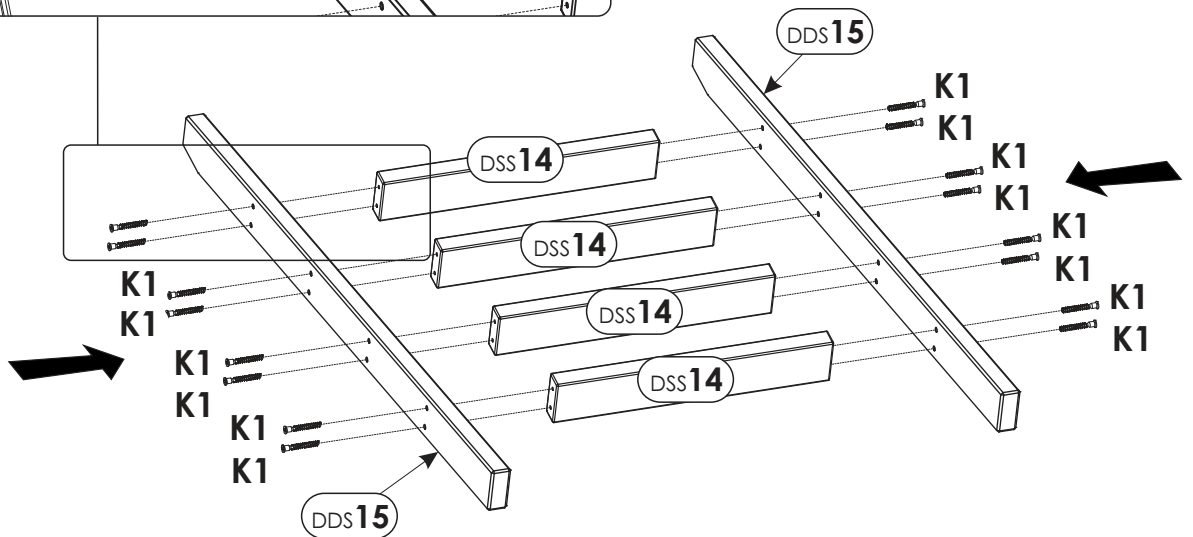
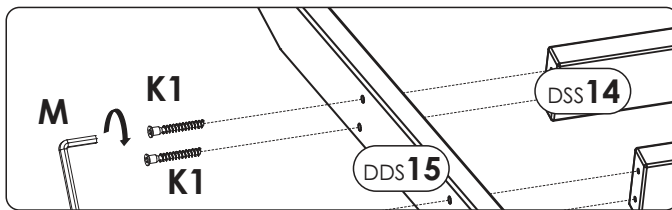
13.



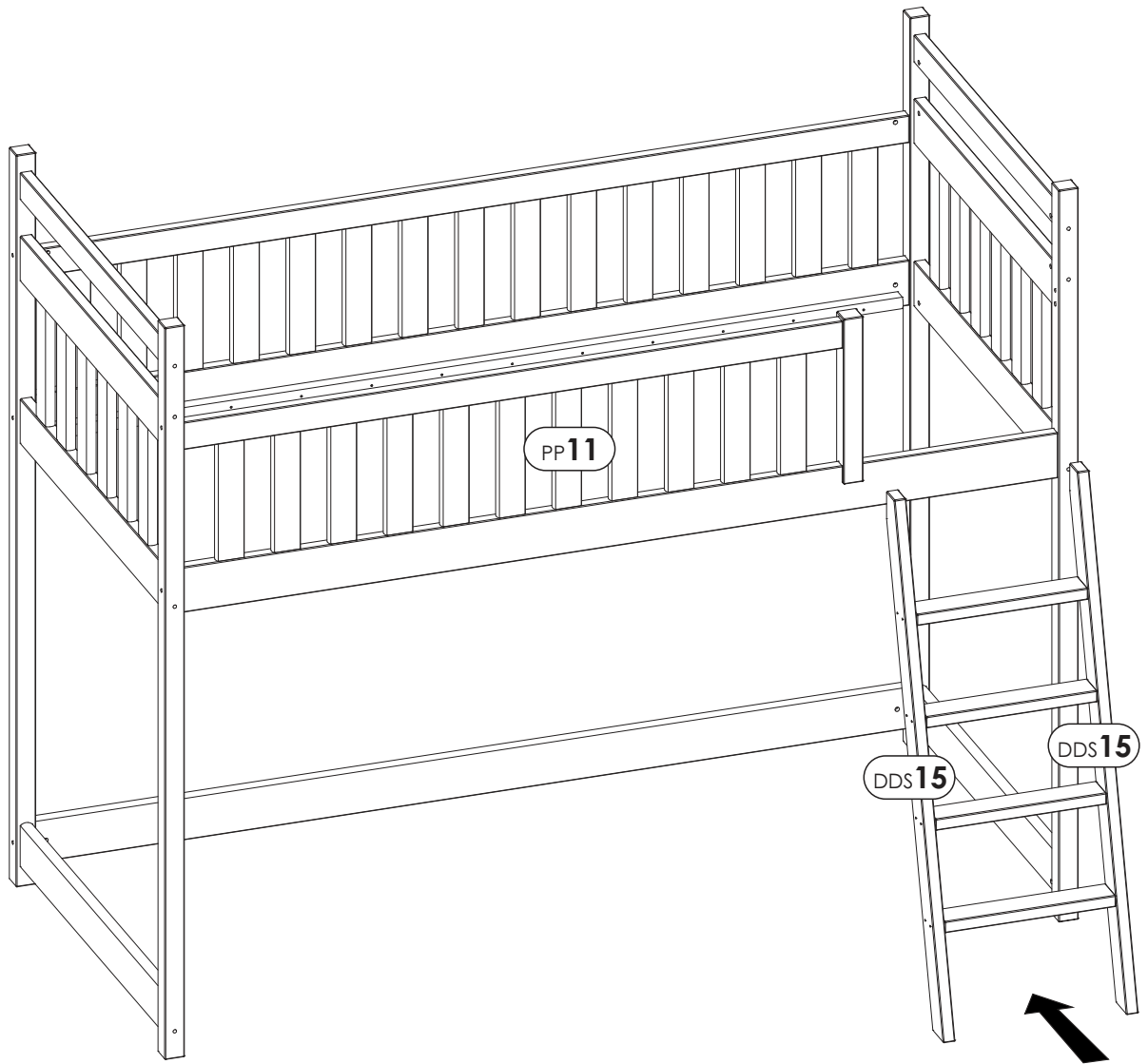
14.



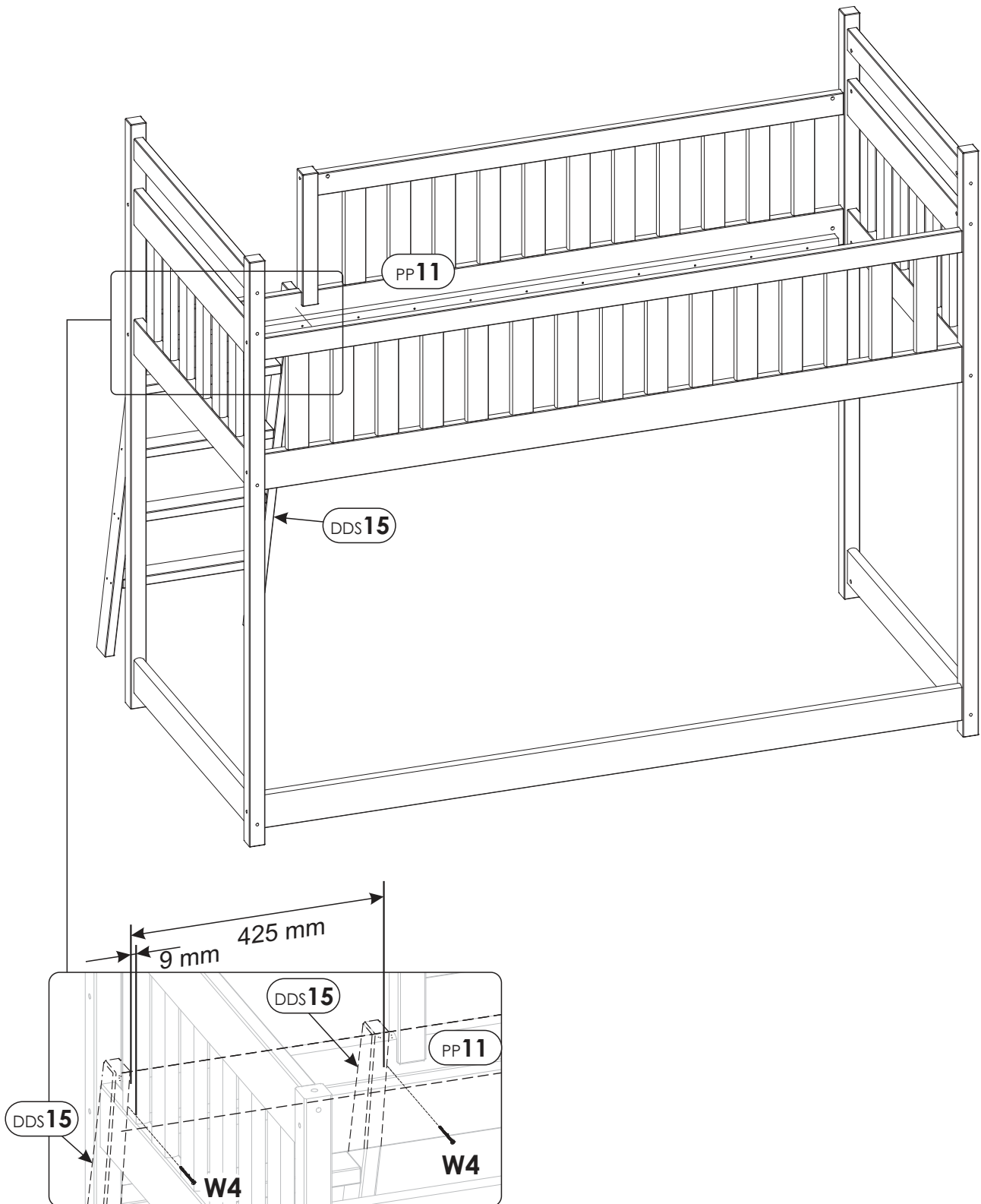
15.



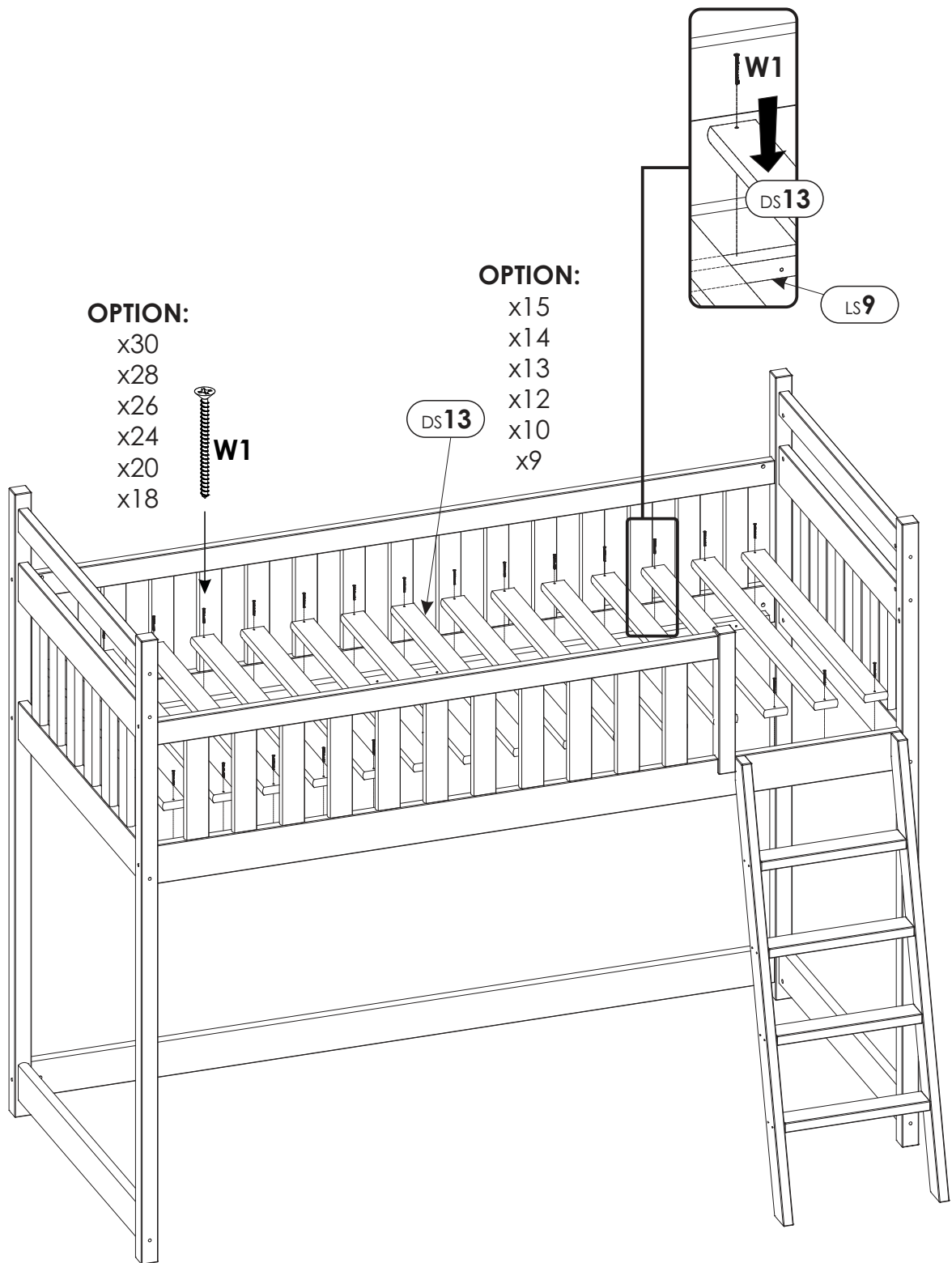
16.

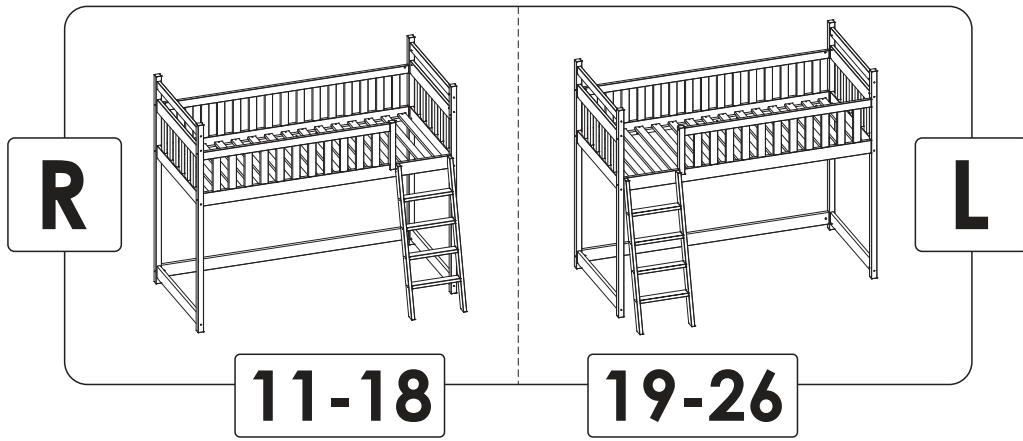


17.



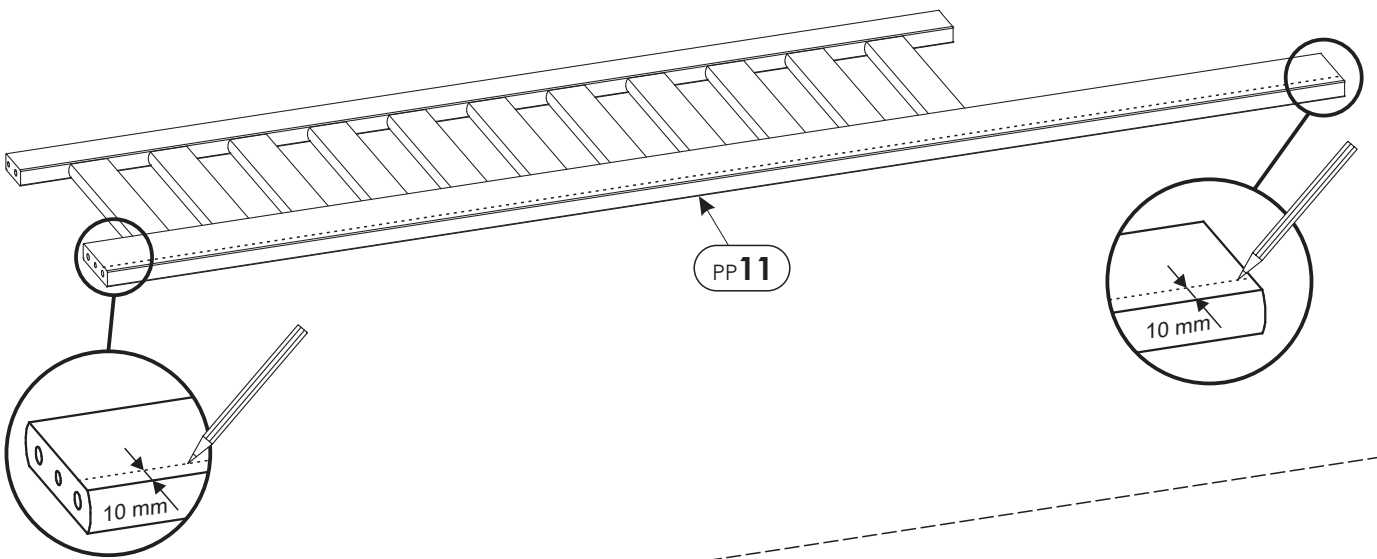
18.



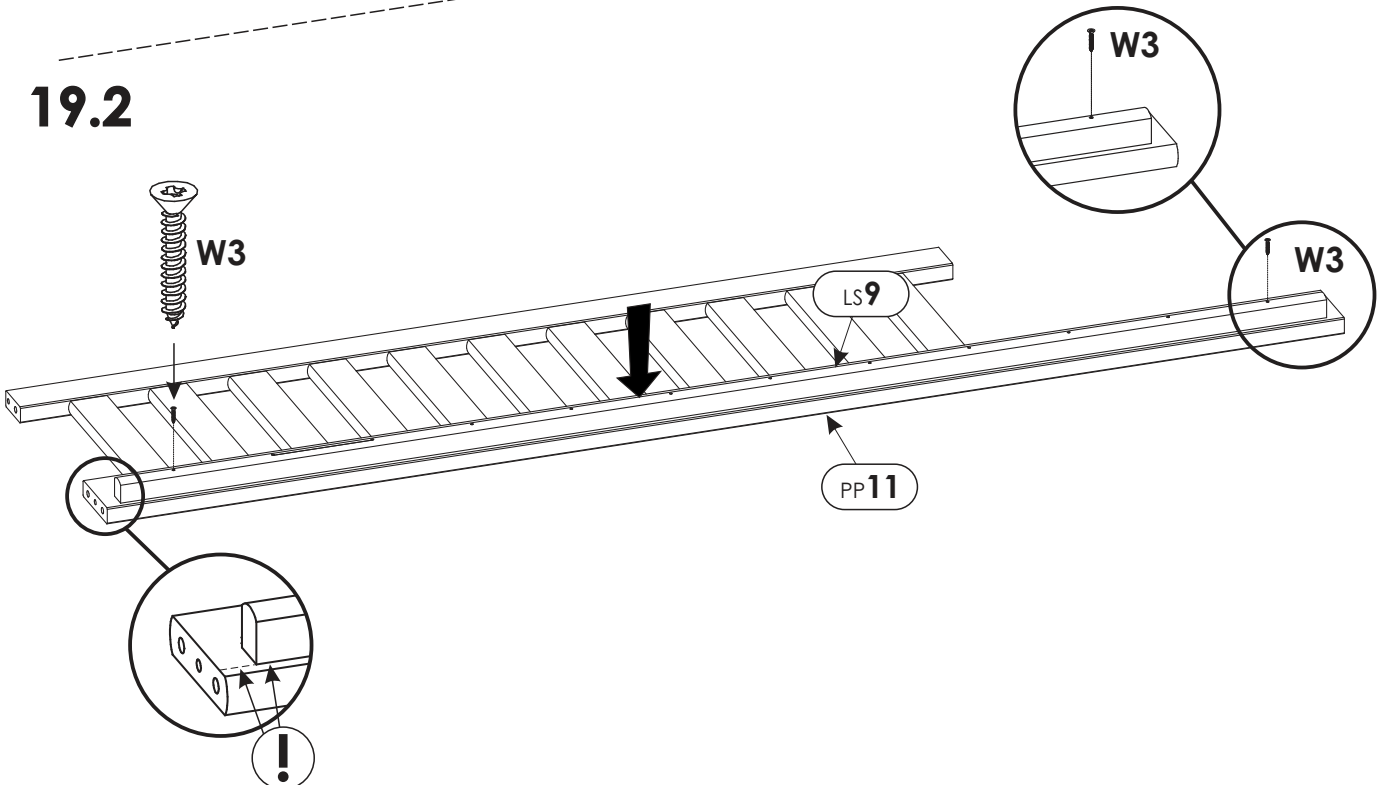


19.

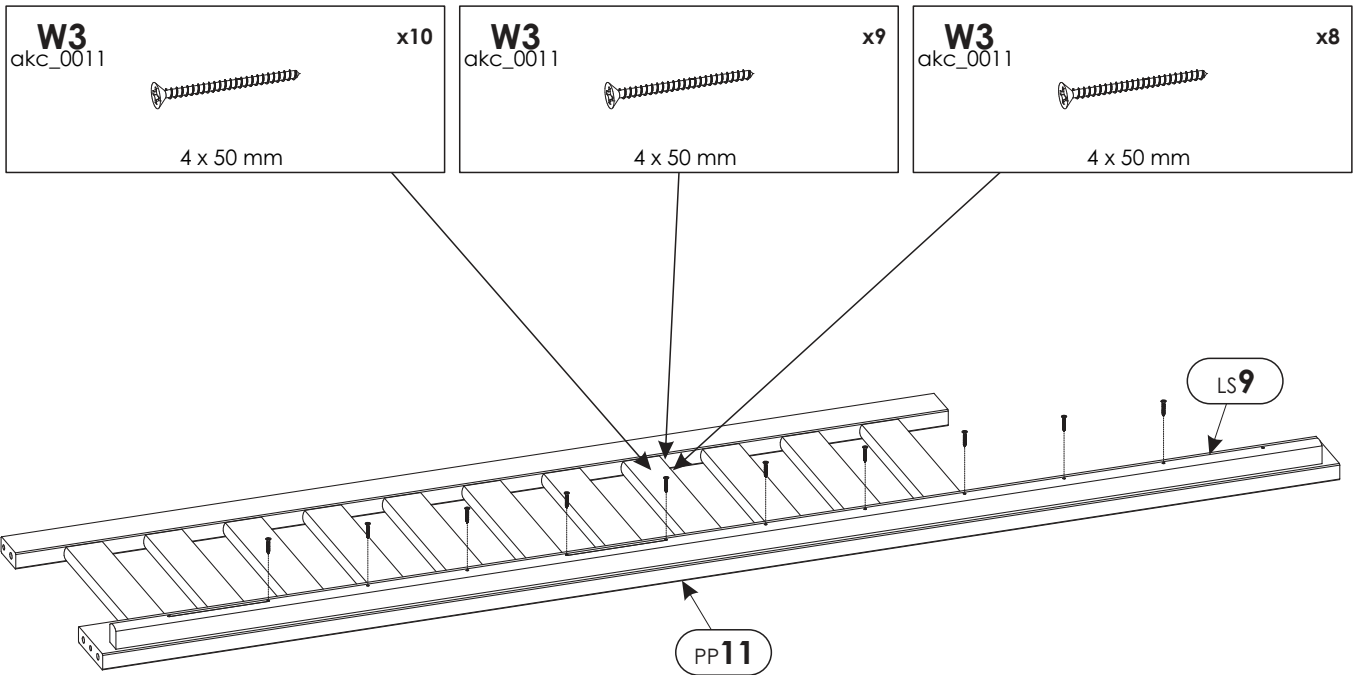
19.1



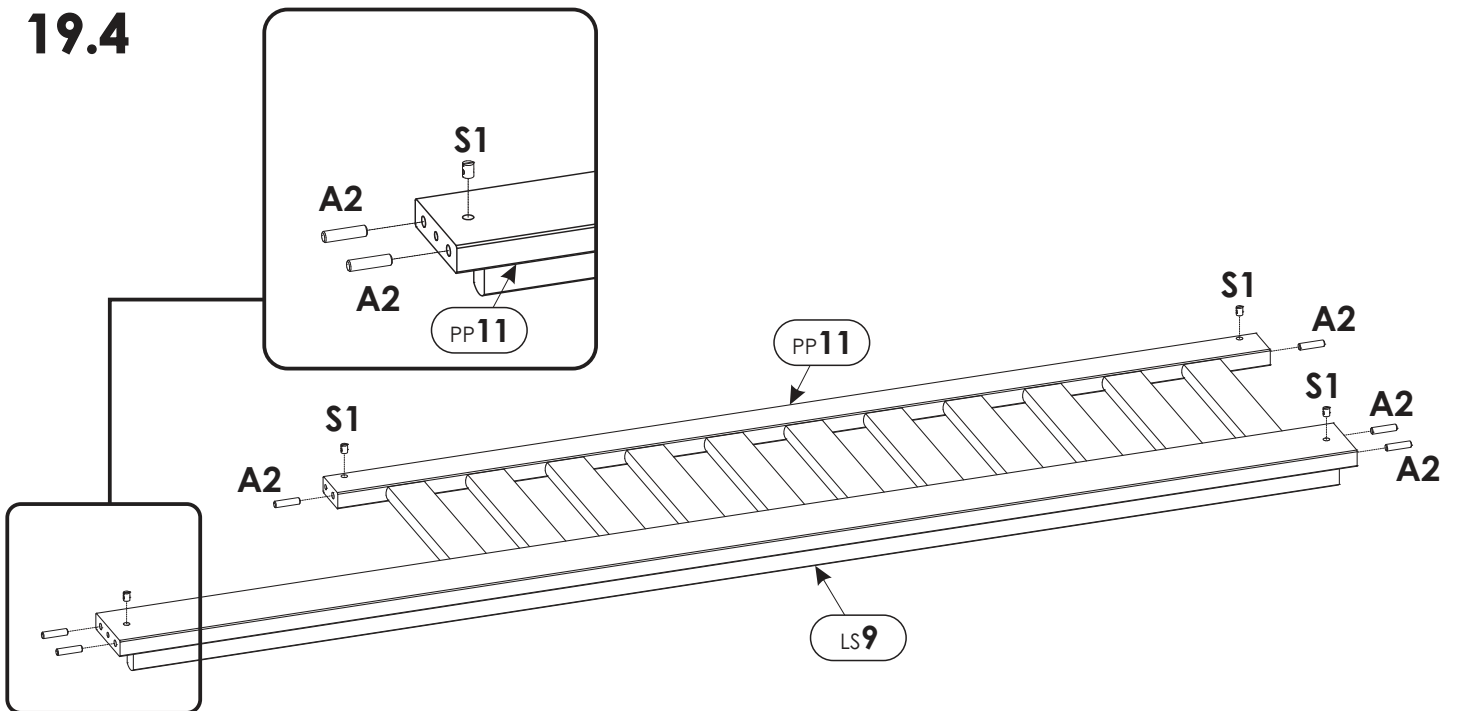
19.2



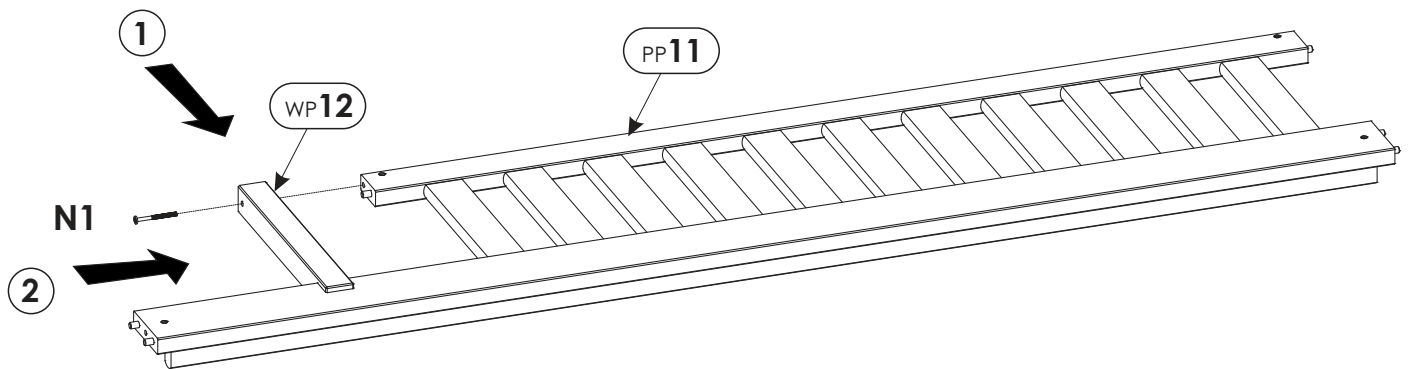
19.3



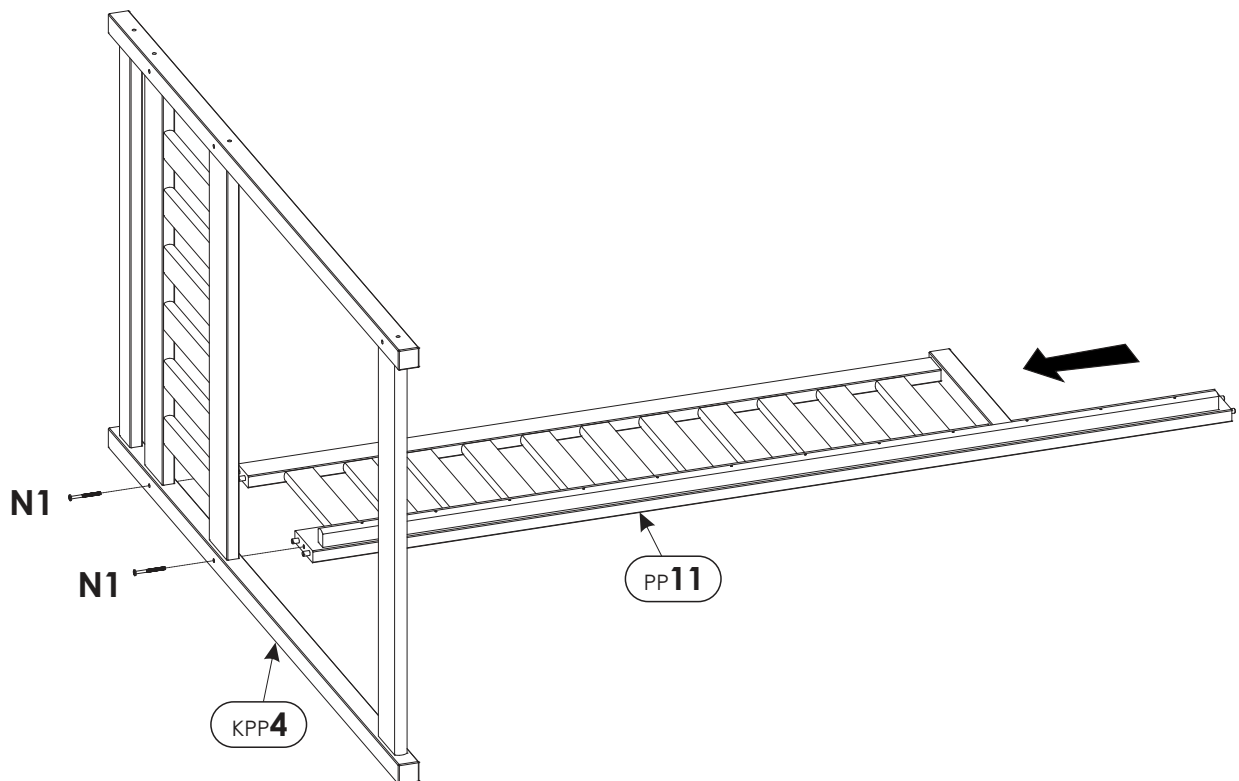
19.4



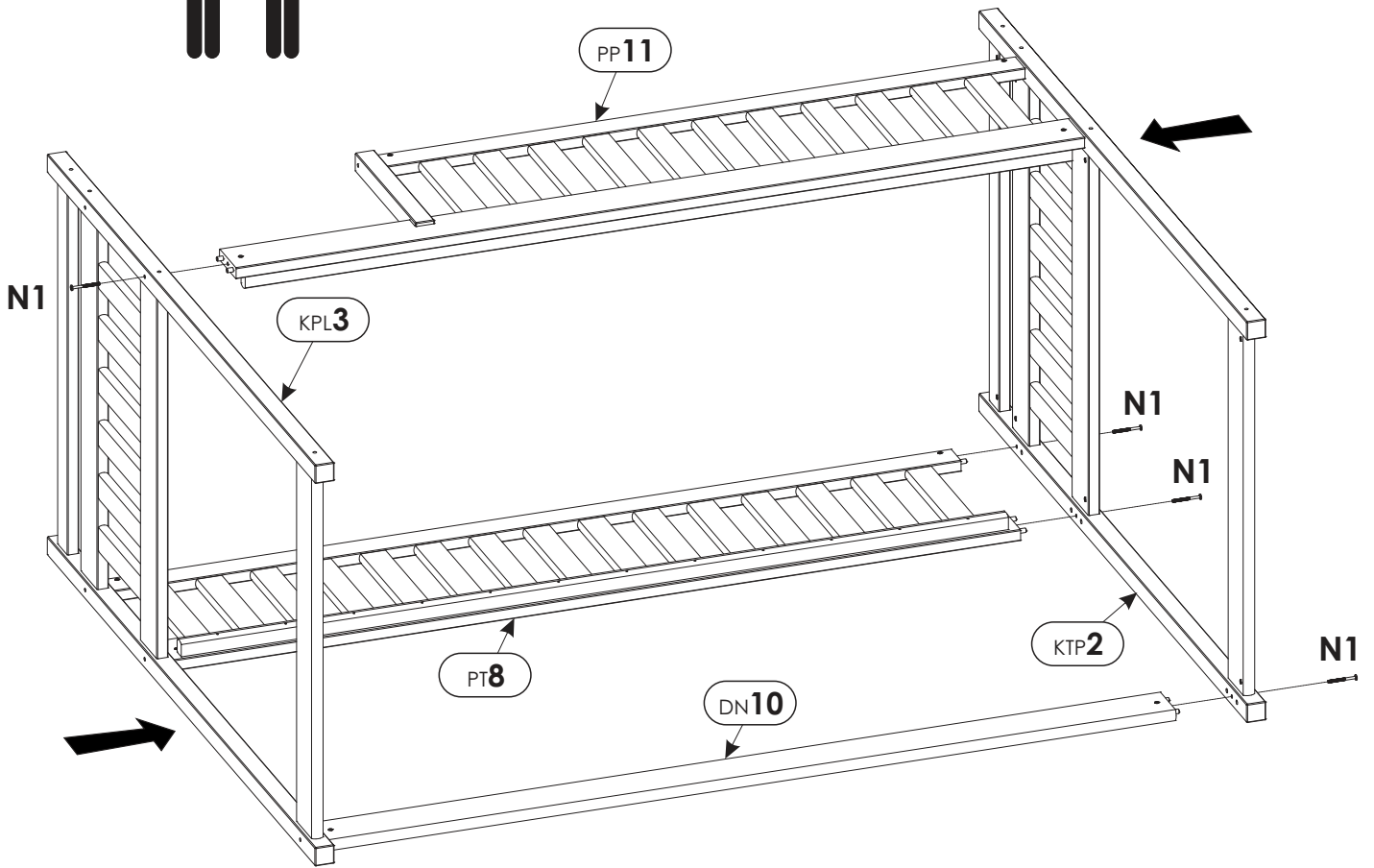
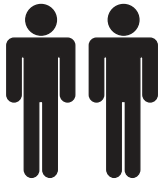
20.



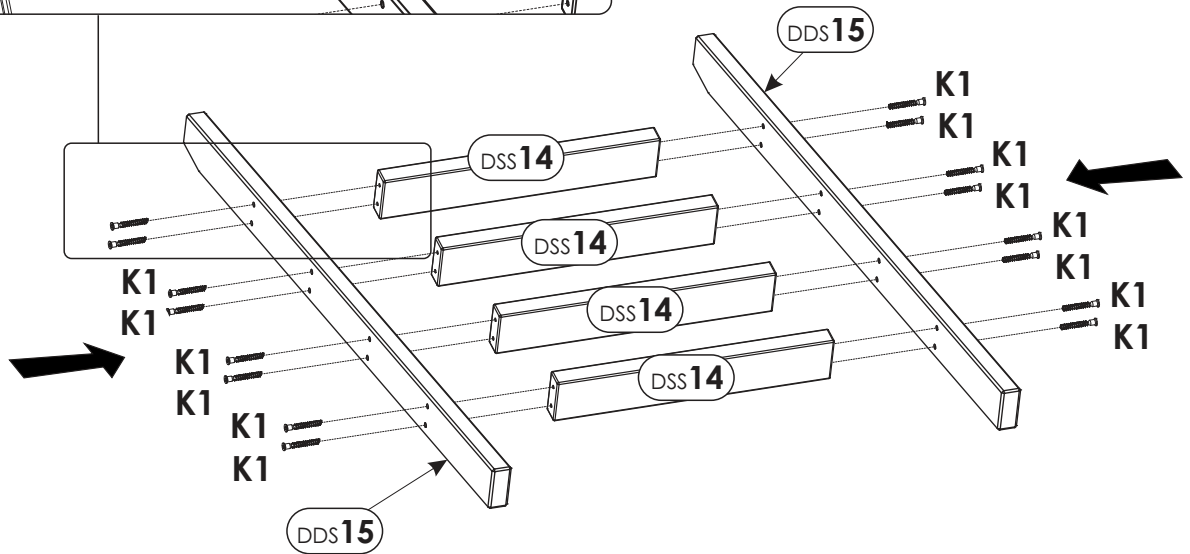
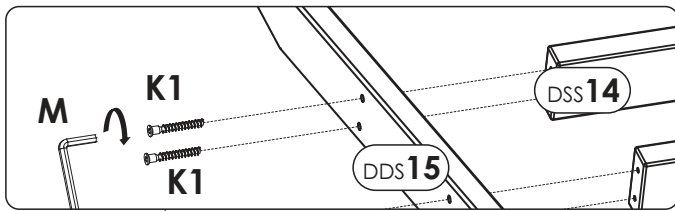
21.



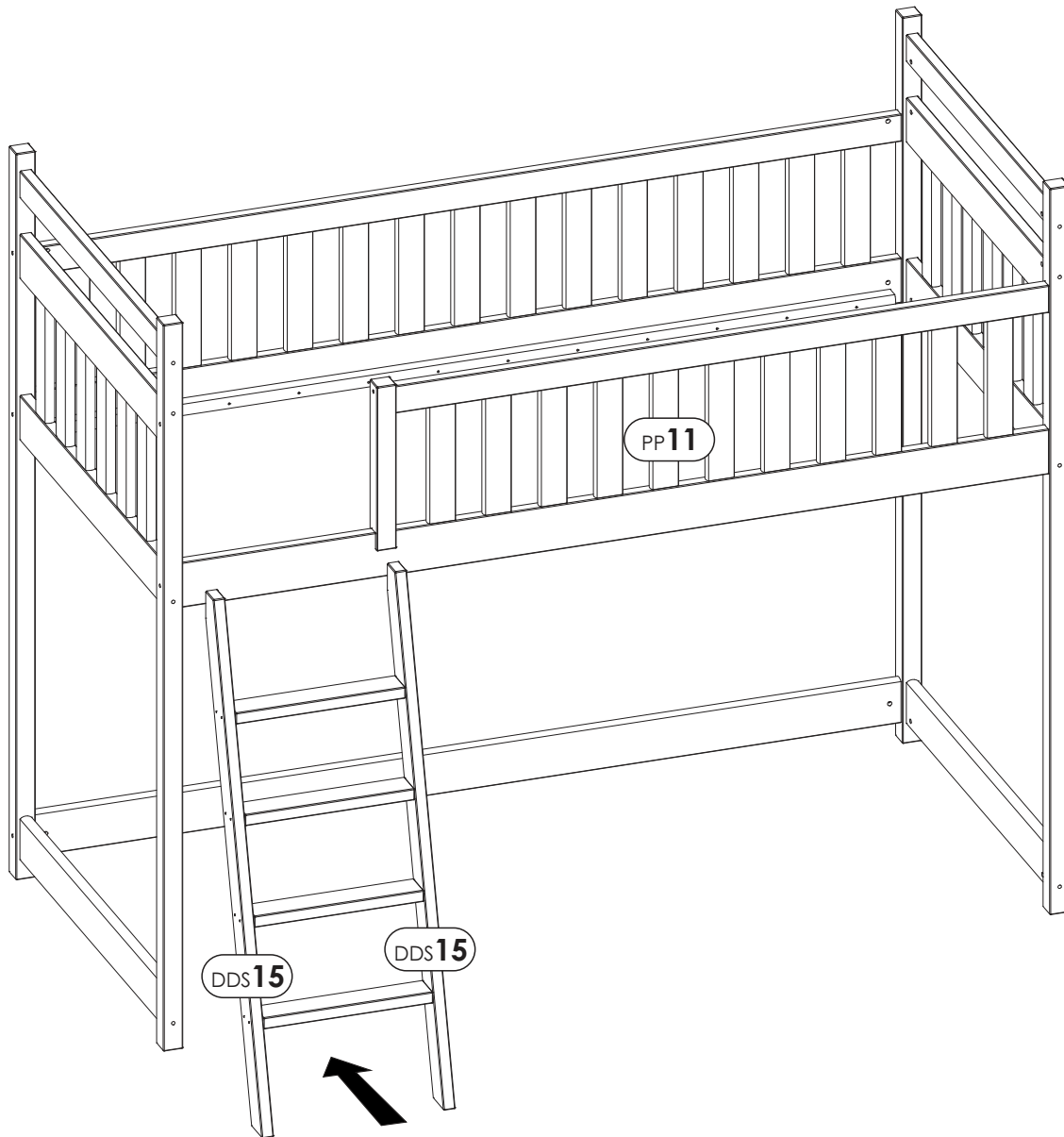
22.



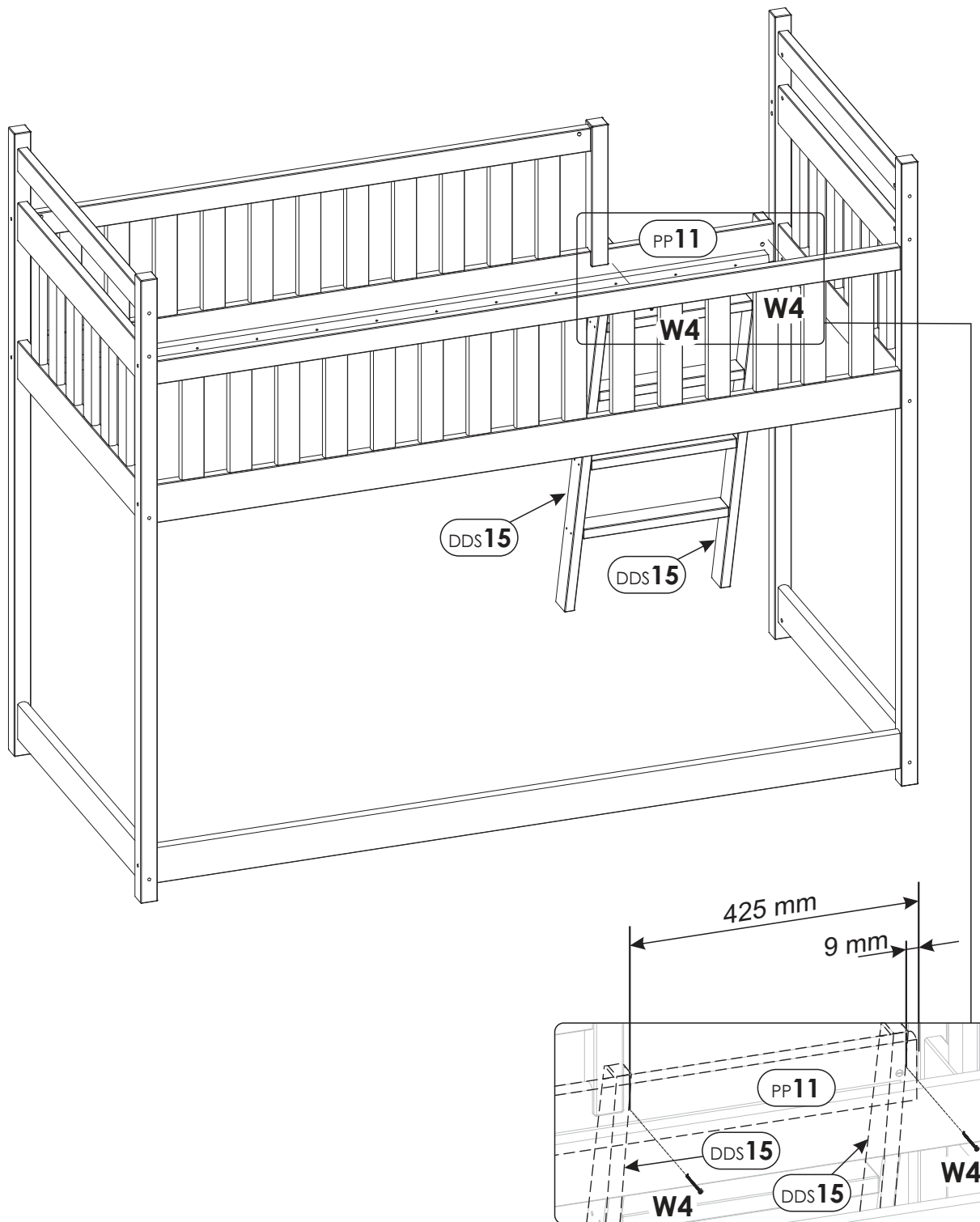
23.



24.



25.



26.

