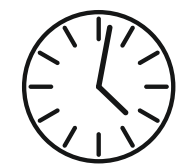
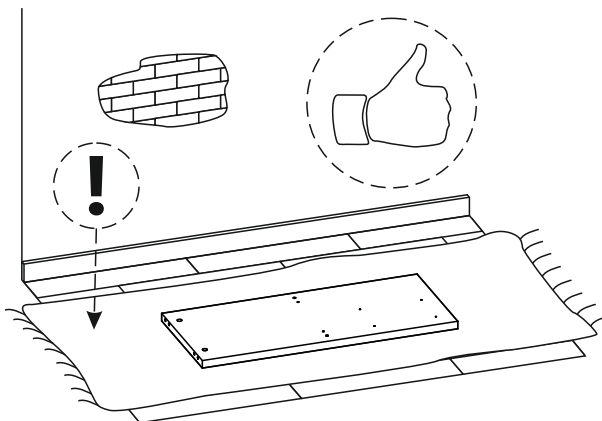
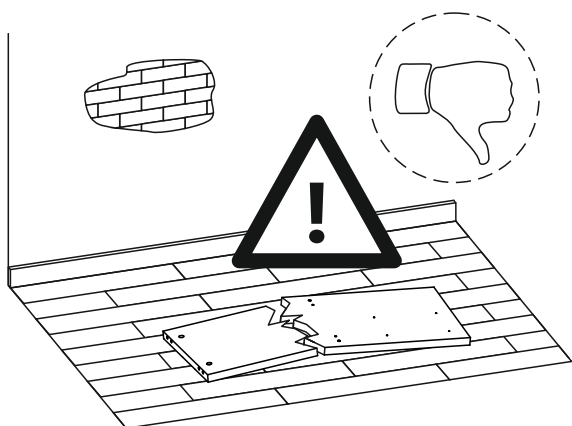
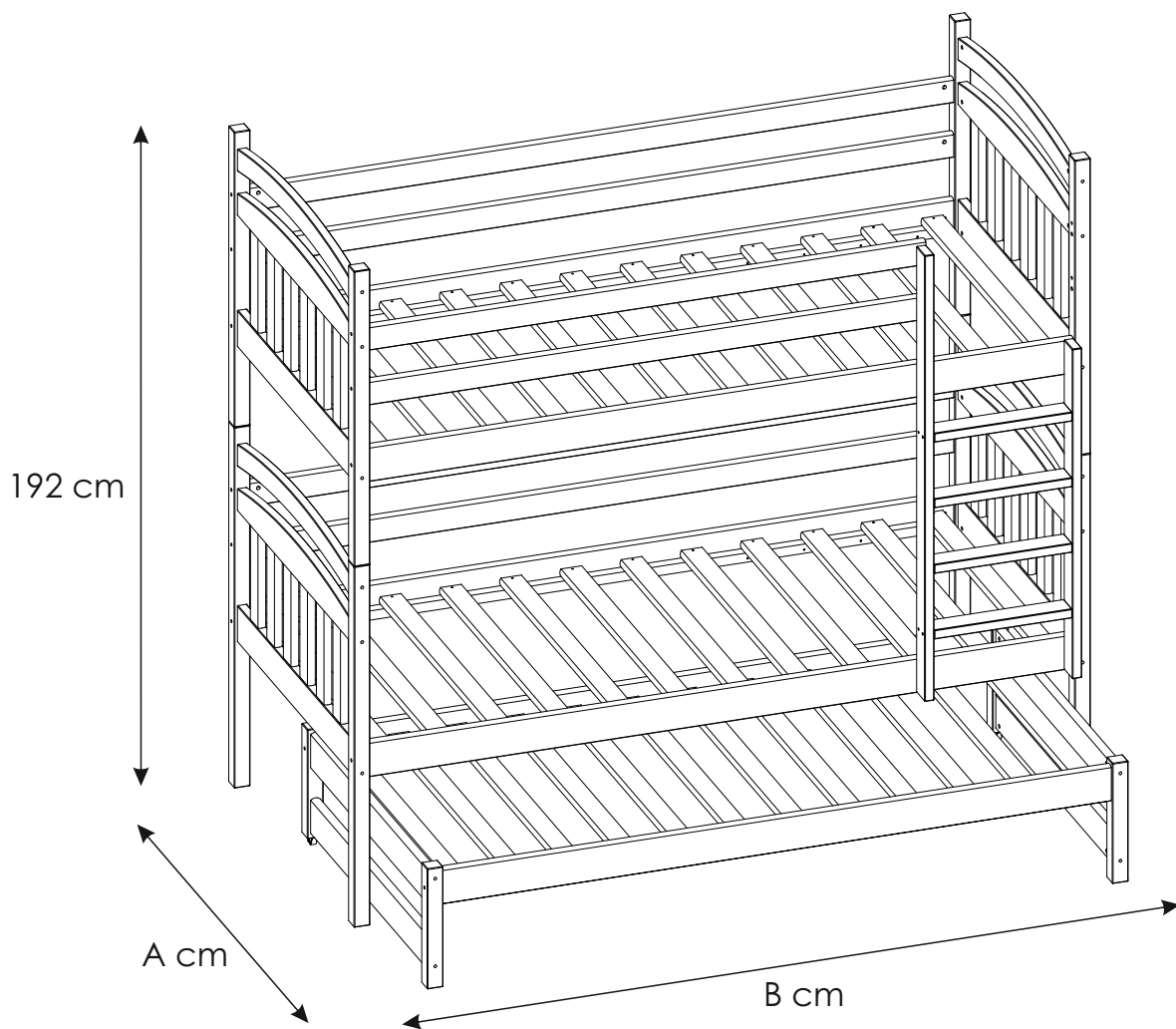
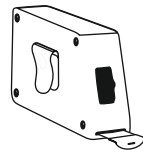
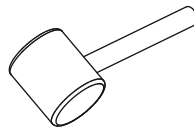
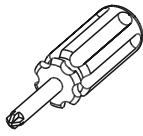
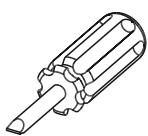
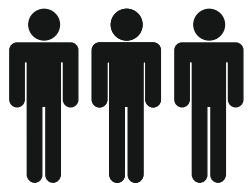
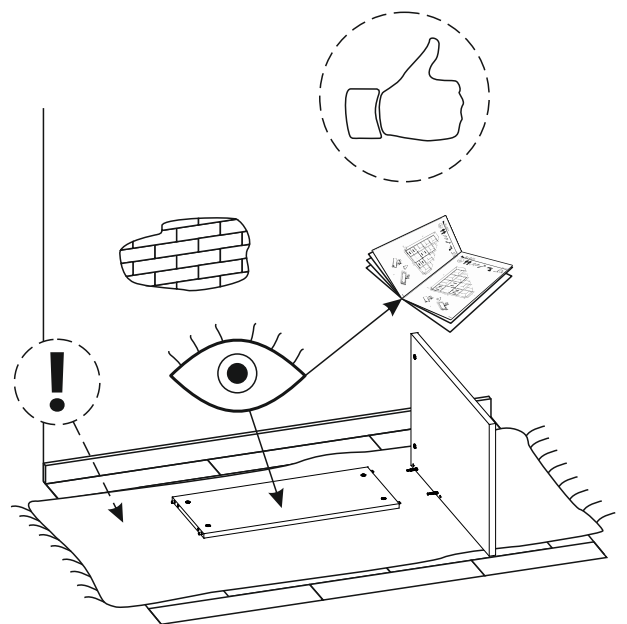
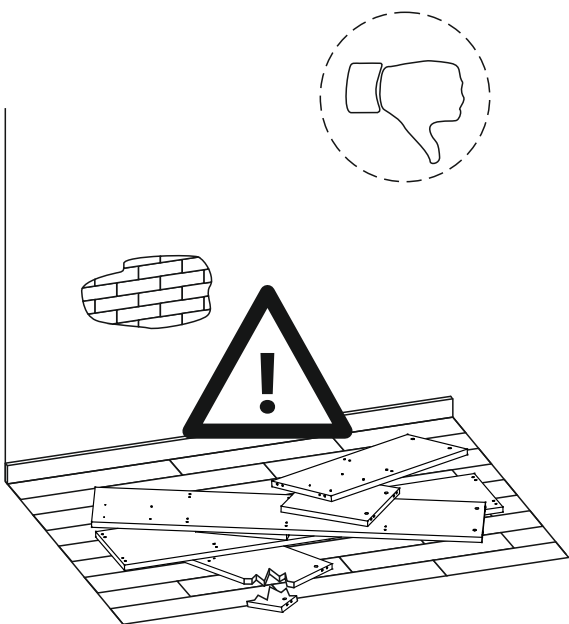
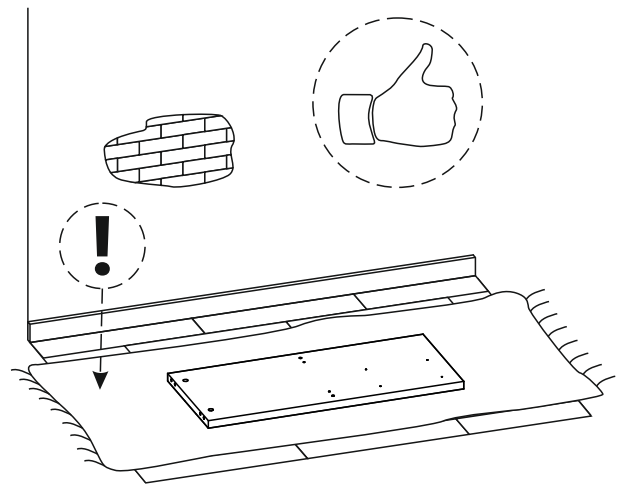
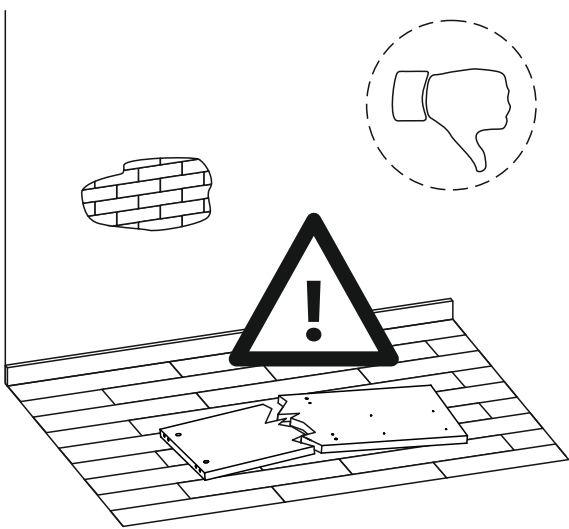
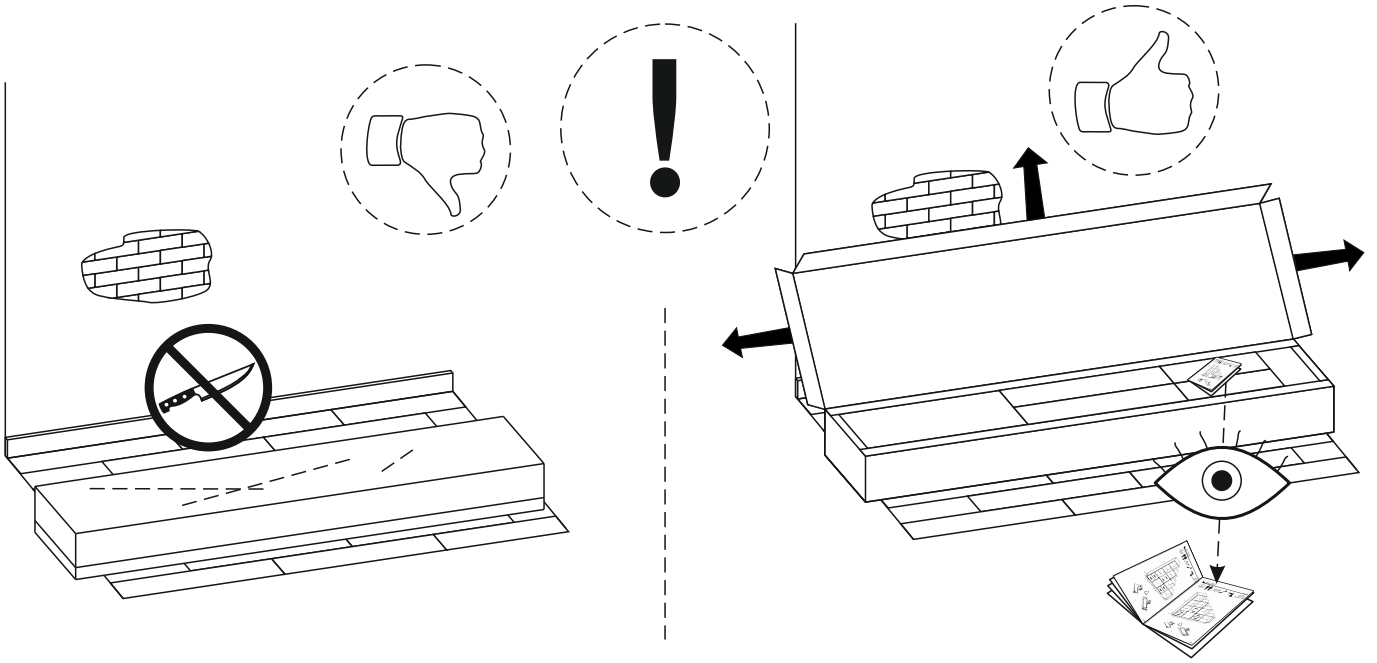


ROBERT

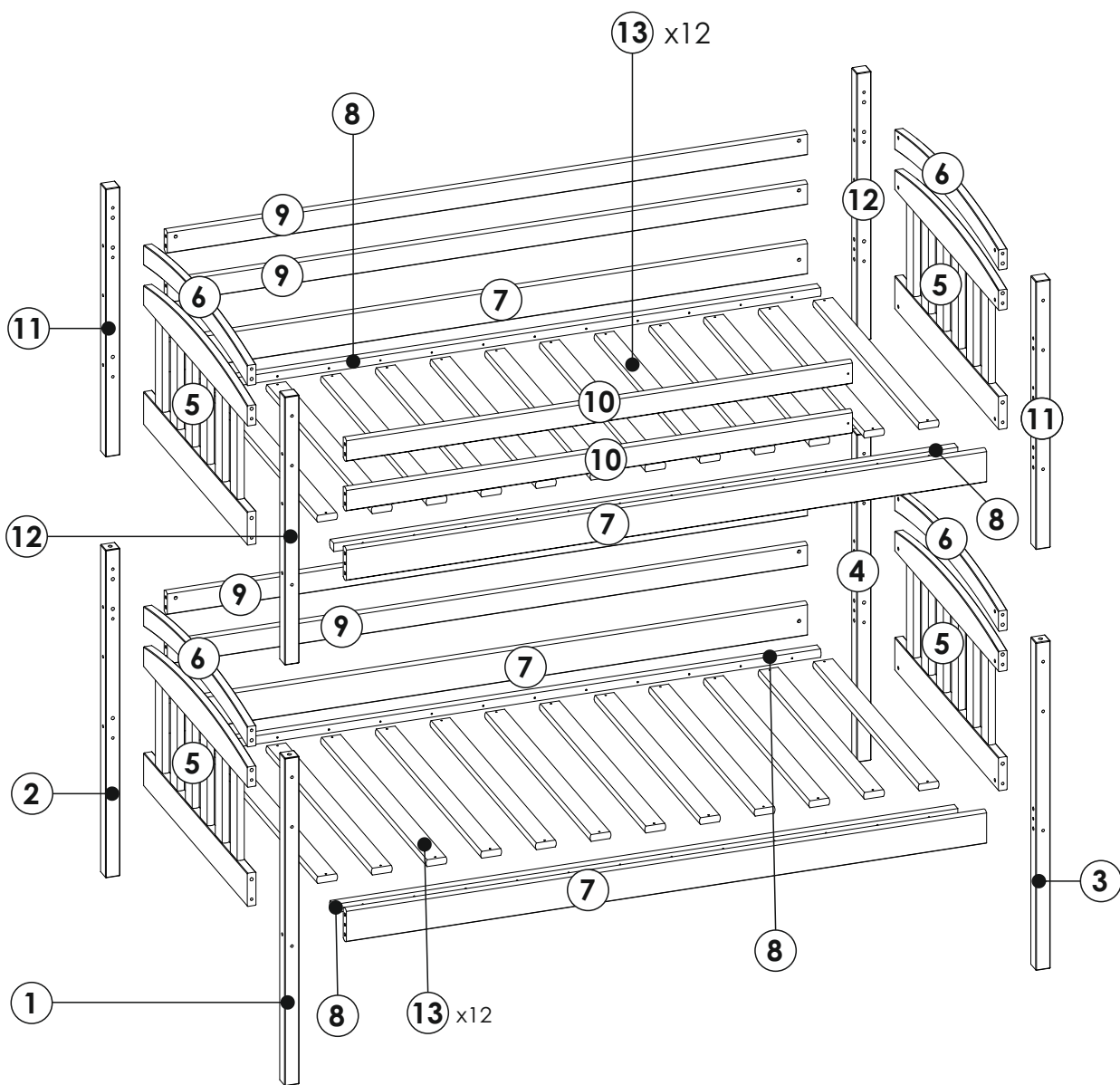
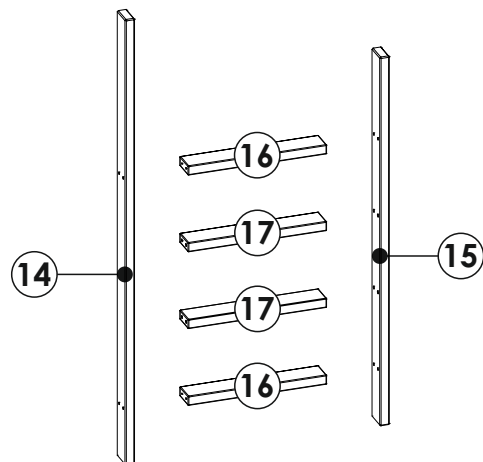
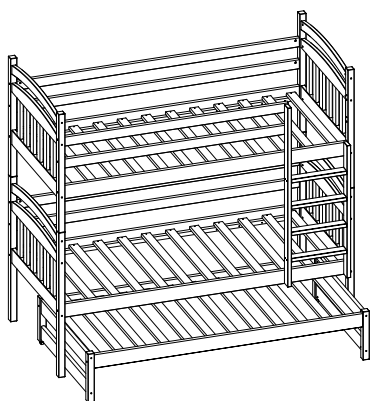


220 min





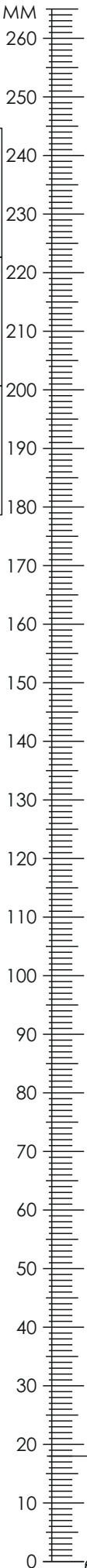
ROBERT

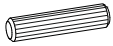
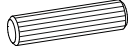
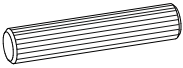



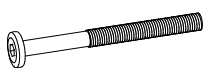
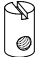




ROBERT

DPL 1	1056	45	45	x1	M3NDPL_01020
DTL 2	1056	45	45	x1	RNDTL_01590
DPP 3	1056	45	45	x1	M3NDPP_01040
DTP 4	1056	45	45	x1	RNDTP_01600
PDB 5	685, 785, 885	449	27	x4	PS_00470 DP_00480 DB_00610
DB 6	685, 785, 885	107	27	x4	DB_00600
DN 7	1390, 1590, 1690, 1790, 1890, 1990	107	27	x4	DN_00110
LS 8	1340, 1540, 1640, 1740, 1840, 1940	35	27	x4	LS_00160
DW 9	1390, 1590, 1690, 1790, 1890, 1990	75	27	x4	DW75_00930
DWD 10	973, 1173, 1273, 1373, 1473, 1573	75	27	x2	DW75DD_00940
GPP 11	864	45	45	x2	RNGPP_01620
GPL 12	864	45	45	x2	RNGPL_01610
DS 13	700, 800, 900	65	22	x36	DS_00170
P4S 14	1305	65	27	x1	DDP4S_00630
P4S 15	965	65	27	x1	DDP4S_00620
DSS 16	390	65	27	x2	DSS_00210
DSK 17	390	65	27	x2	DSK_00220
WPL 18	352	45	45	x1	NWPL_01060
WTL 19	320	45	45	x1	NWTL_01080
WPP 20	352	45	45	x1	NWPP_01070
WTP 21	320	45	45	x1	NWTP_01090
DND 22	1290, 1490, 1590, 1690, 1790, 1890	107	27	x2	DN_00110
LS 23	1250, 1450, 1550, 1650, 1750, 1850	35	27	x2	LS_00160
DST 24	685, 785, 885	107	27	x4	DST_00120


ROBERT



<p>A1 akc_0001</p>  <p>8 x 35 mm</p> <p style="text-align: right;">x8</p>	<p>A2 akc_0002</p>  <p>10 x 40 mm</p> <p style="text-align: right;">x66</p>	<p>A3 akc_0003</p>  <p>12 x 60 mm</p> <p style="text-align: right;">x4</p>
<p>J1 akc_0016</p>  <p style="text-align: right;">x2</p>	<p>K1 akc_0004</p>  <p>6,4 x 50 mm</p> <p style="text-align: right;">x8</p>	<p>M akc_0005</p>  <p style="text-align: right;">x1</p>
<p>N1 akc_0006</p>  <p>6 x 80 mm</p> <p style="text-align: right;">x54</p>	<p>S1 akc_0008</p>  <p>10 x 16 mm</p> <p style="text-align: right;">x54</p>	<p>W1 akc_0009</p>  <p>3,5 x 40 mm</p> <p style="text-align: right;">x76</p>
<p>W4 akc_0012</p>  <p>4 x 60 mm</p> <p style="text-align: right;">x6</p>		

----- **OPTION** -----


W3
akc_0011



x72

4 x 50 mm


W3
akc_0011



x66

4 x 50 mm

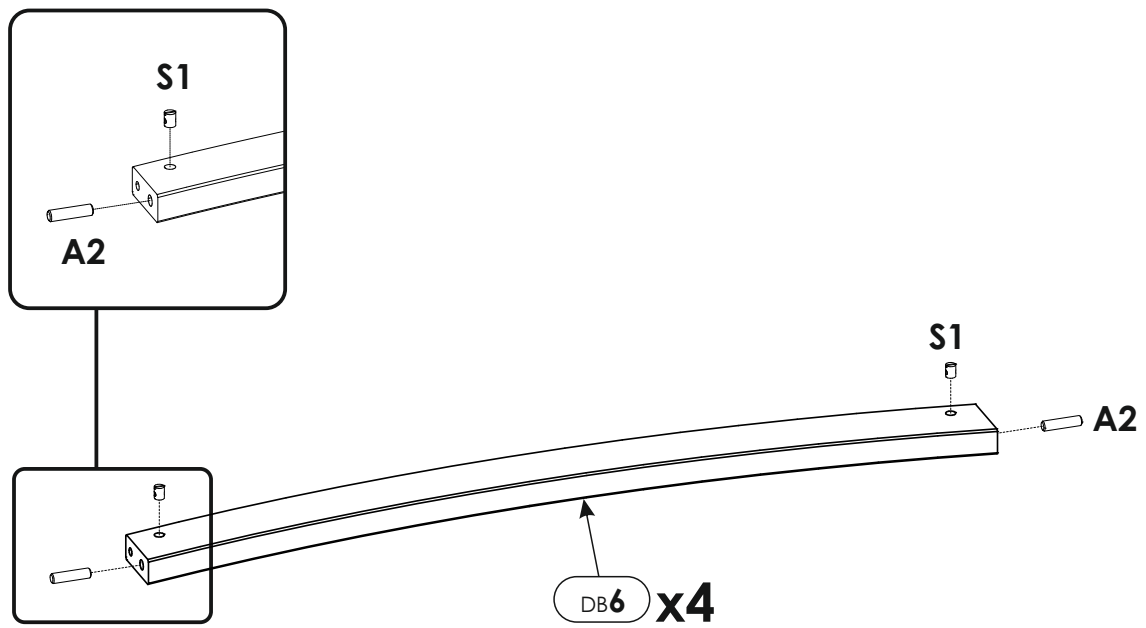
W3
akc_0011



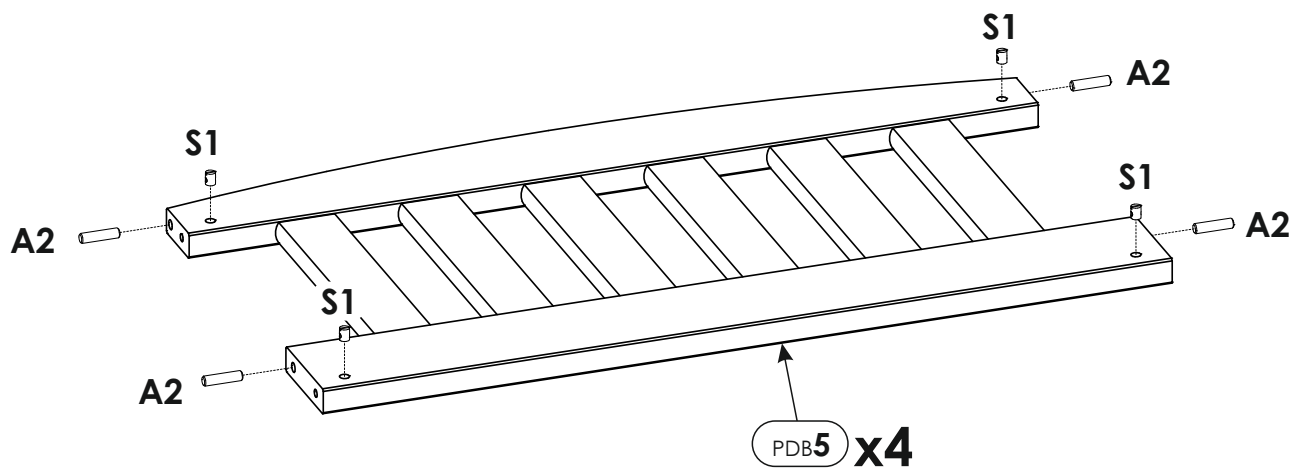
x60

4 x 50 mm

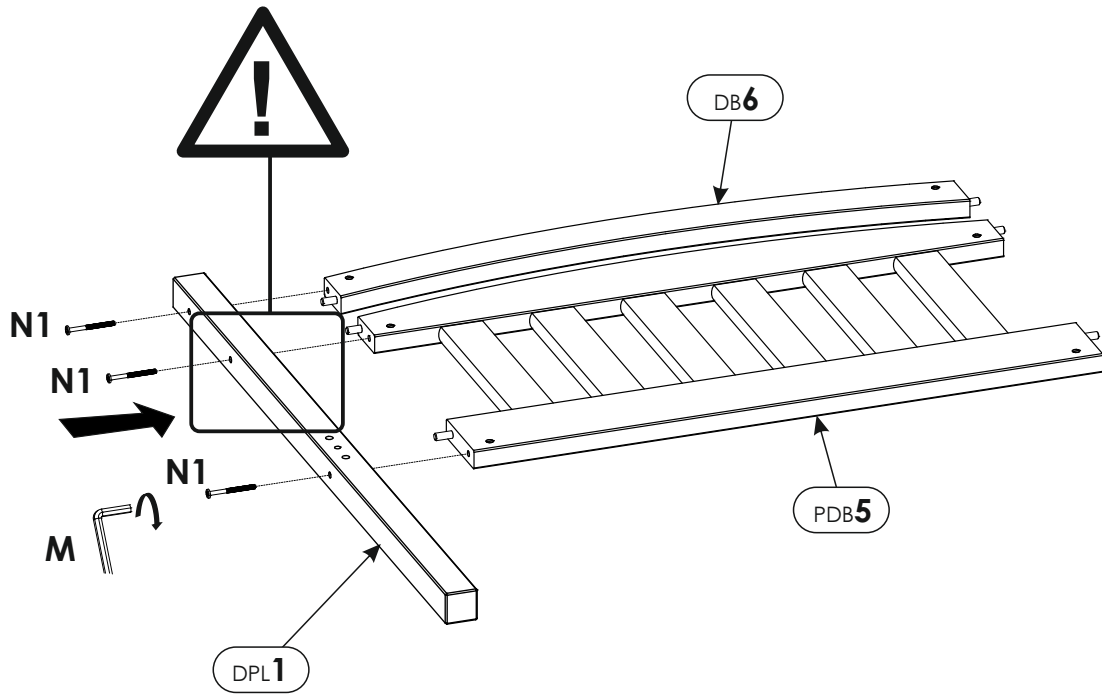
1.



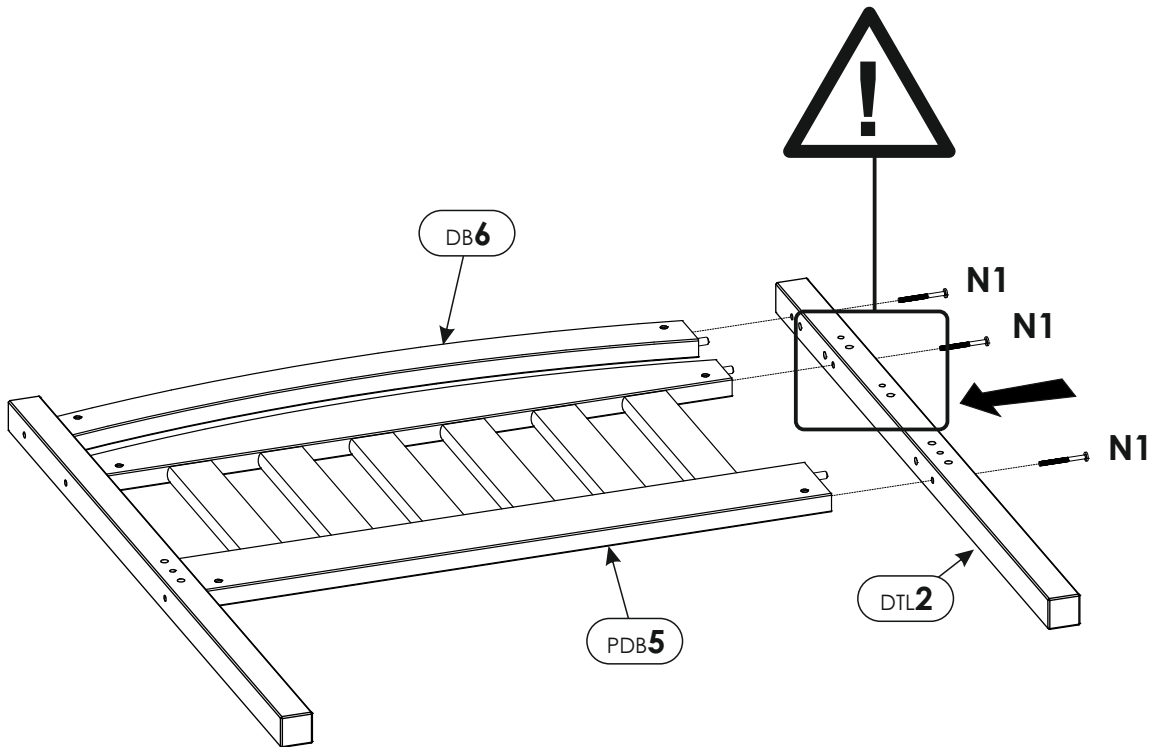
2.



3.

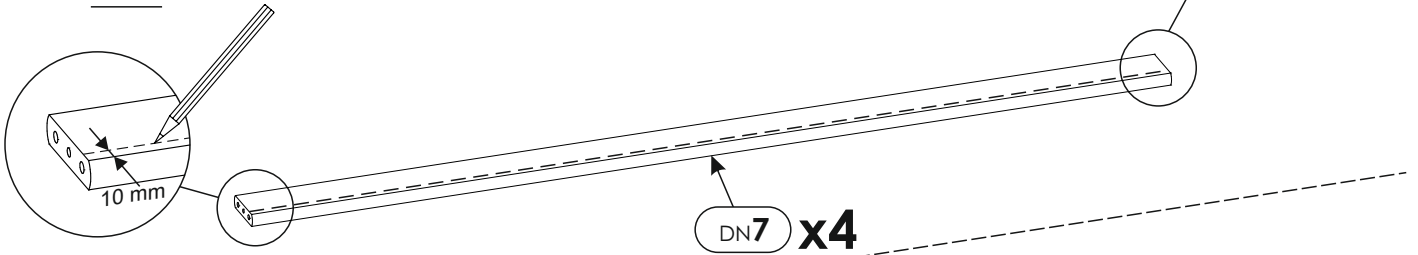


4.

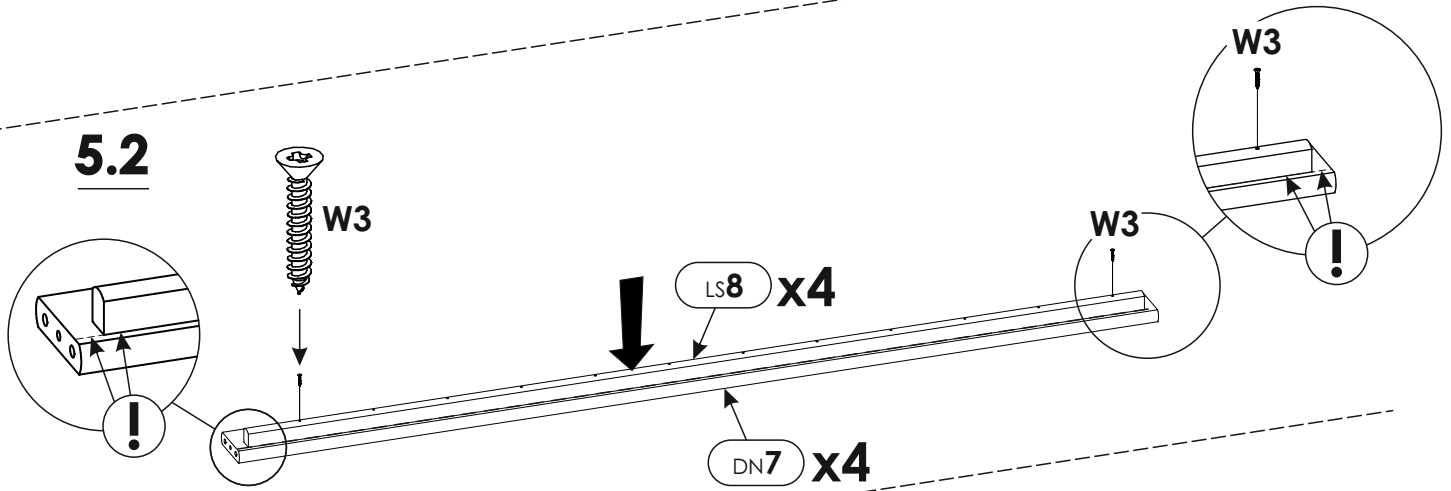


5.

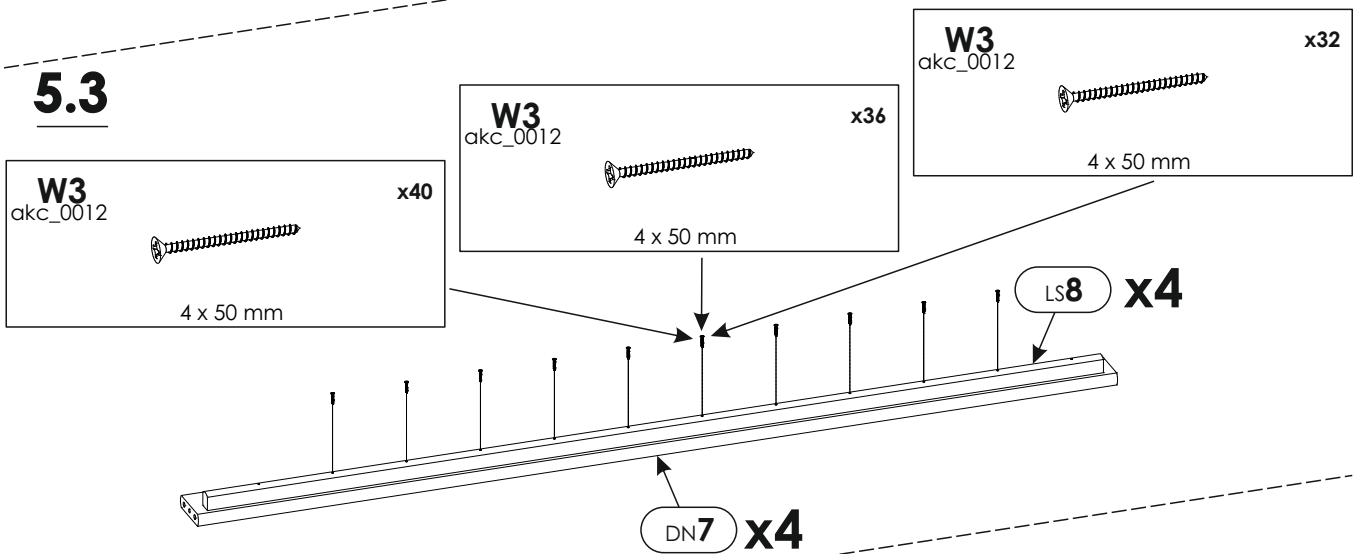
5.1



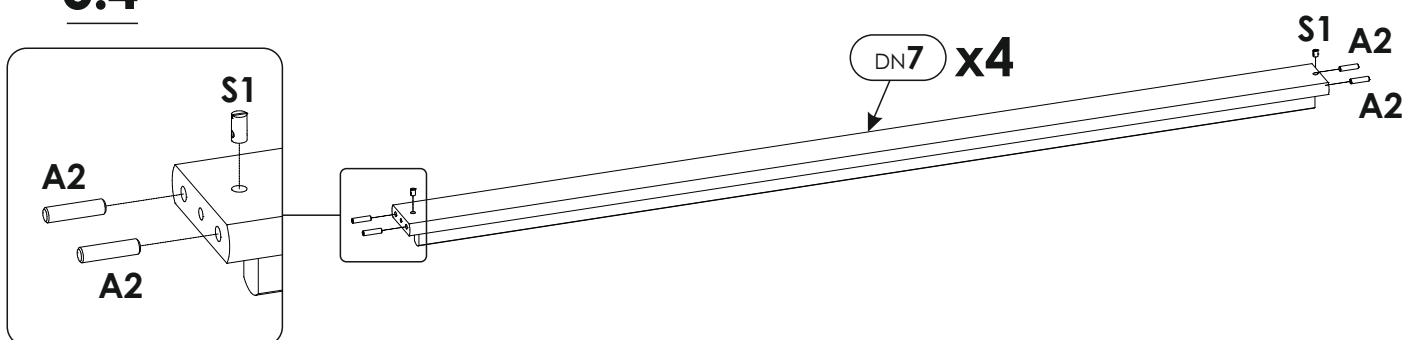
5.2



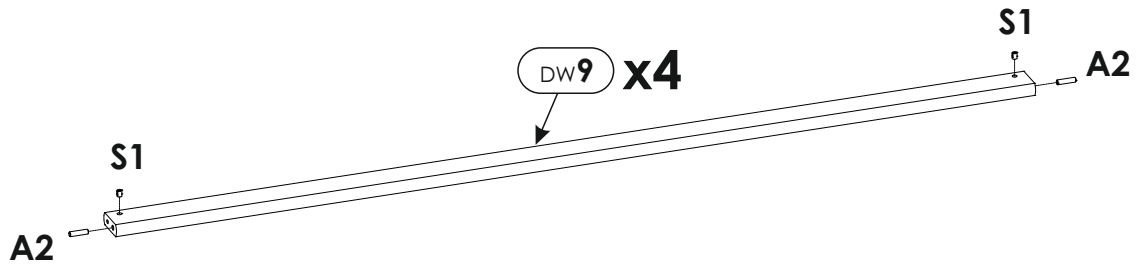
5.3



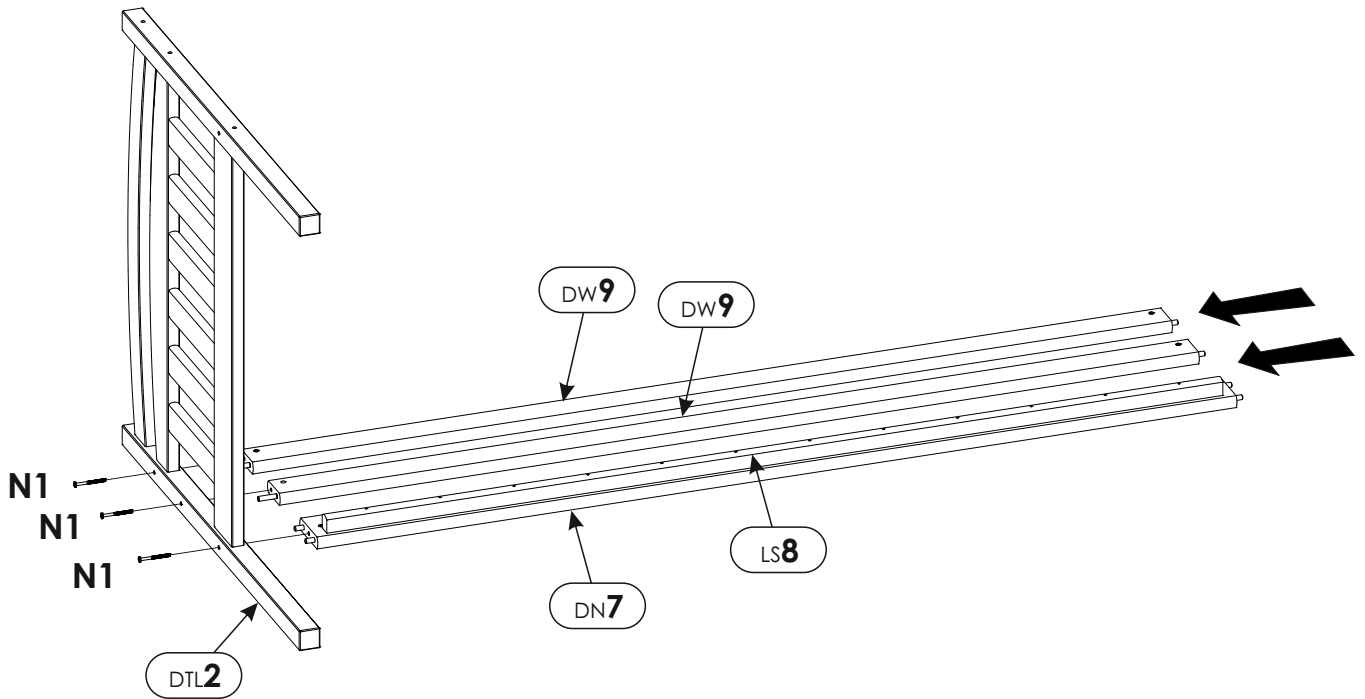
5.4



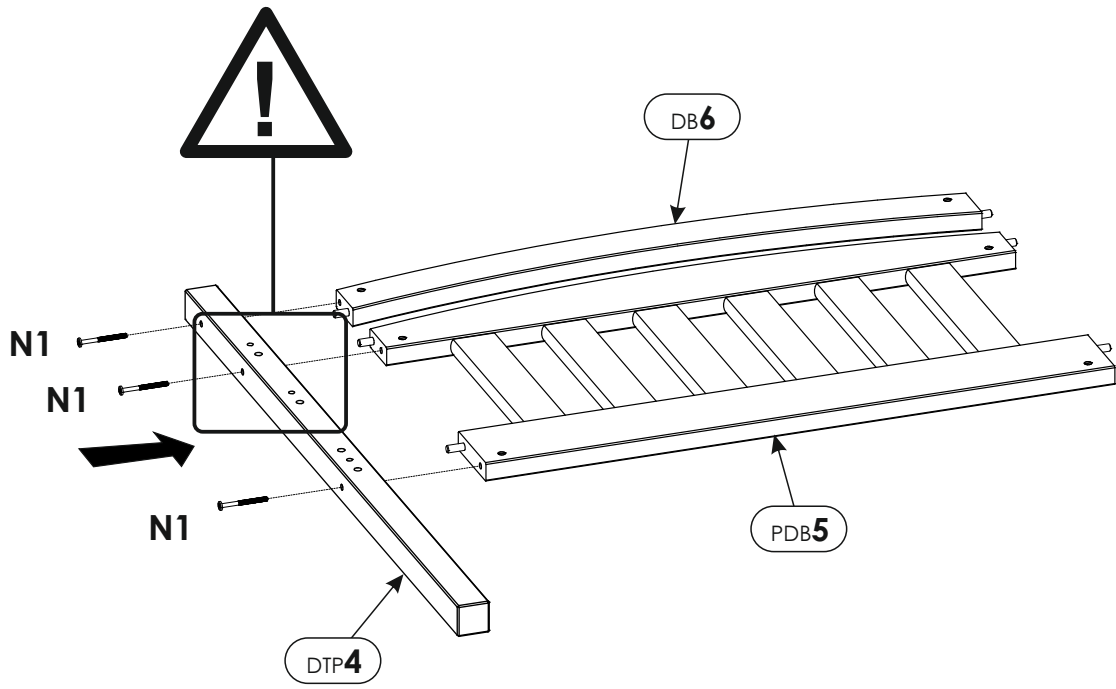
6.



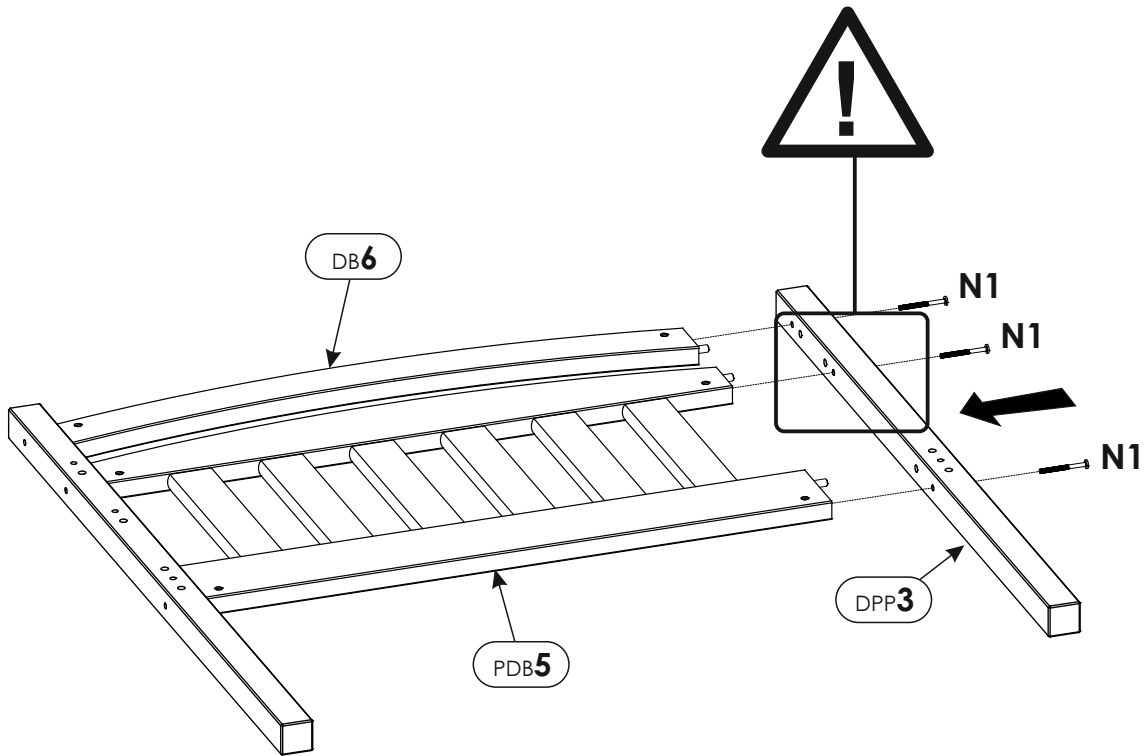
7.



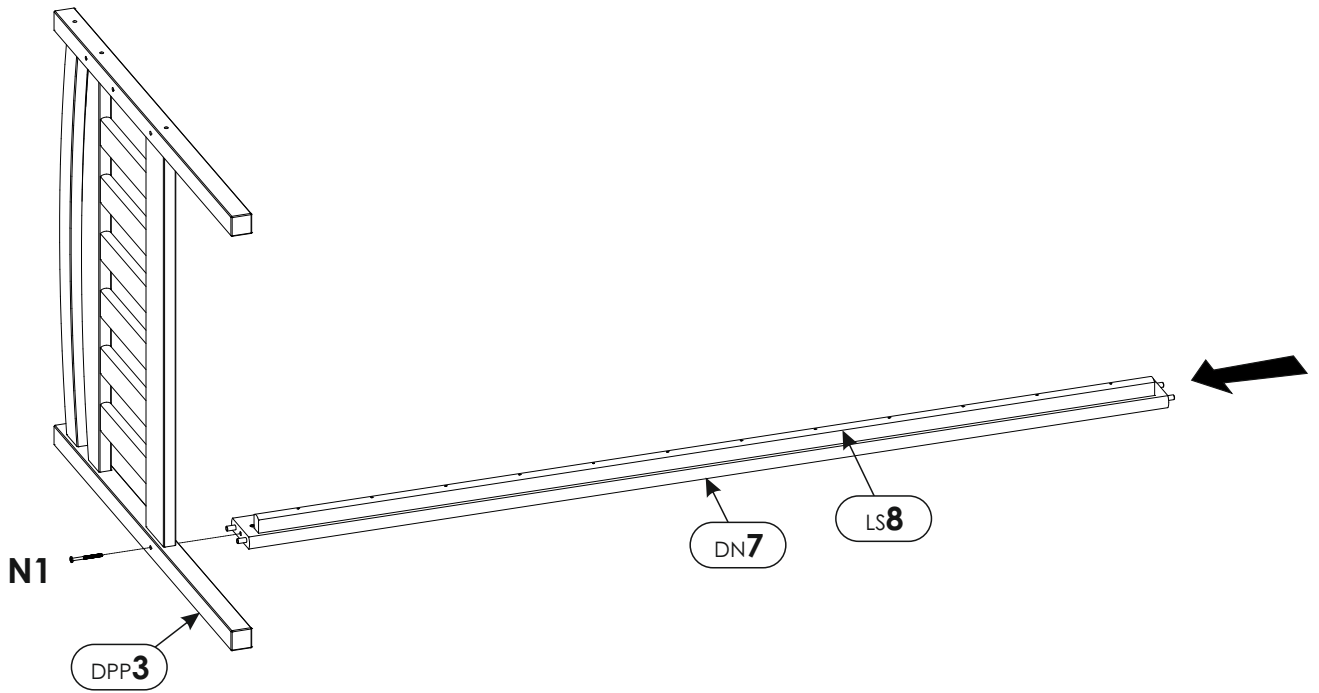
8.



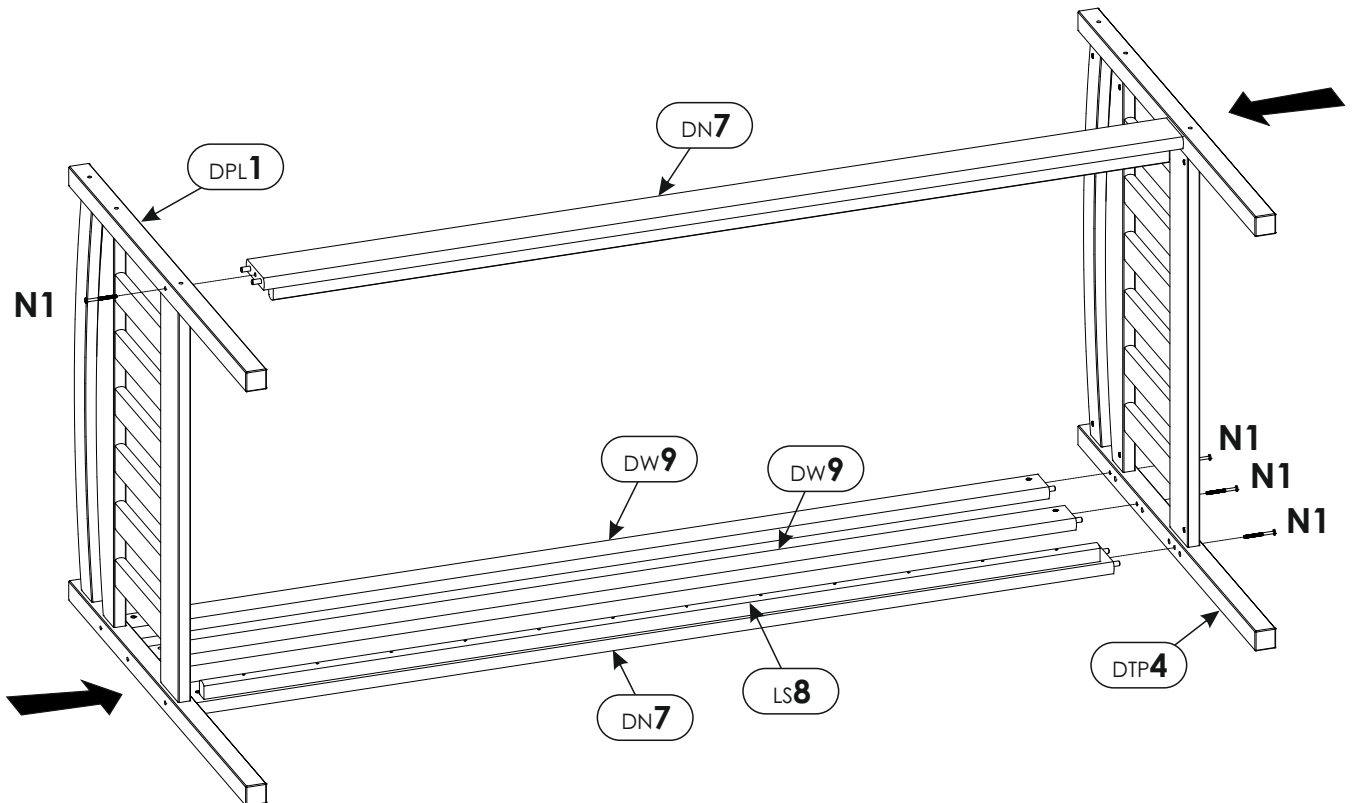
9.



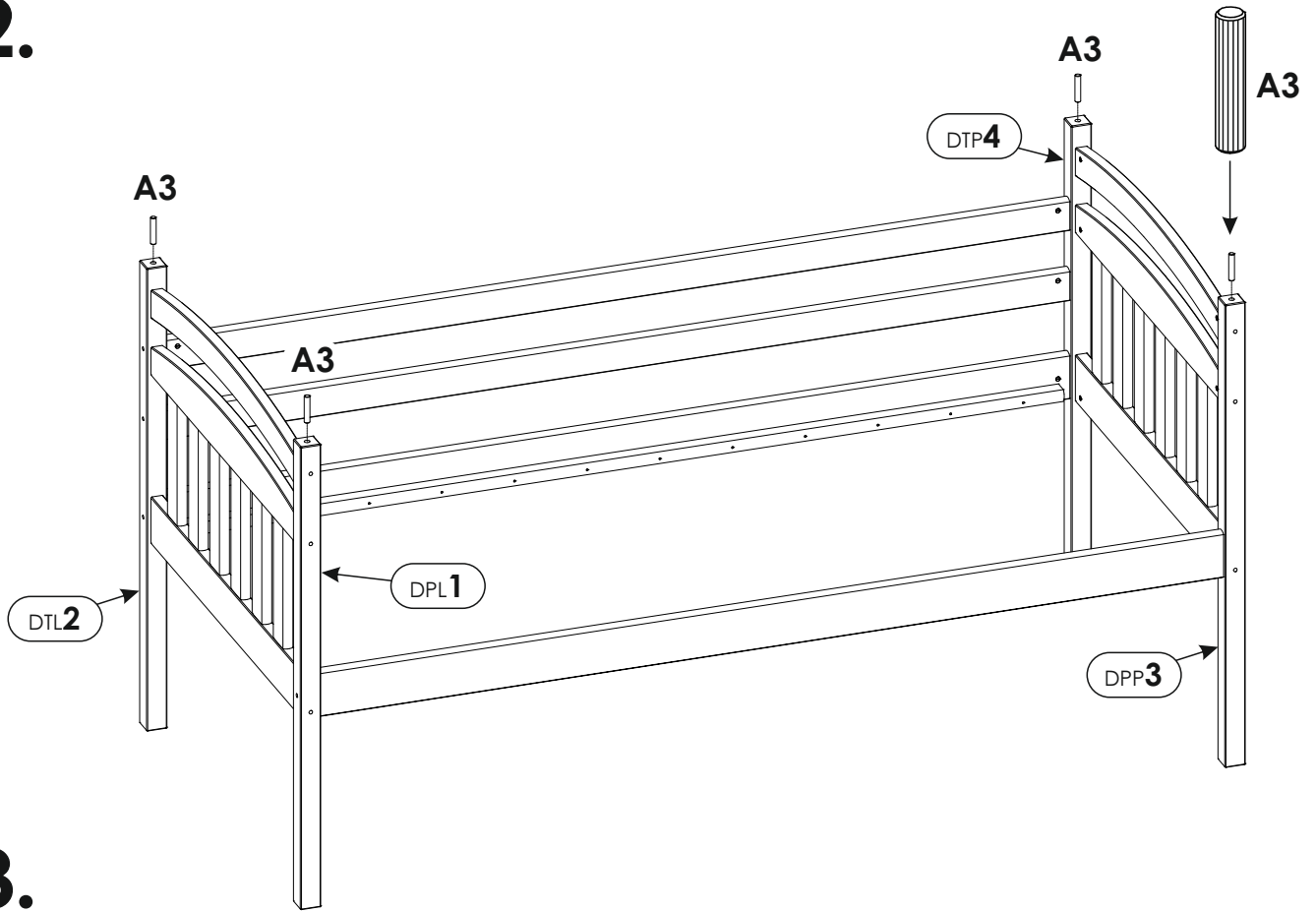
10.



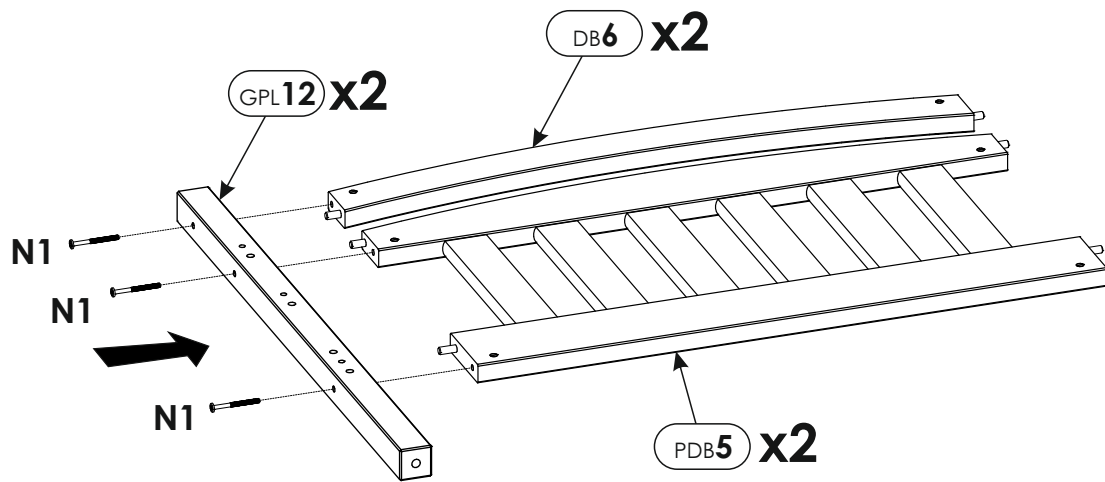
11.



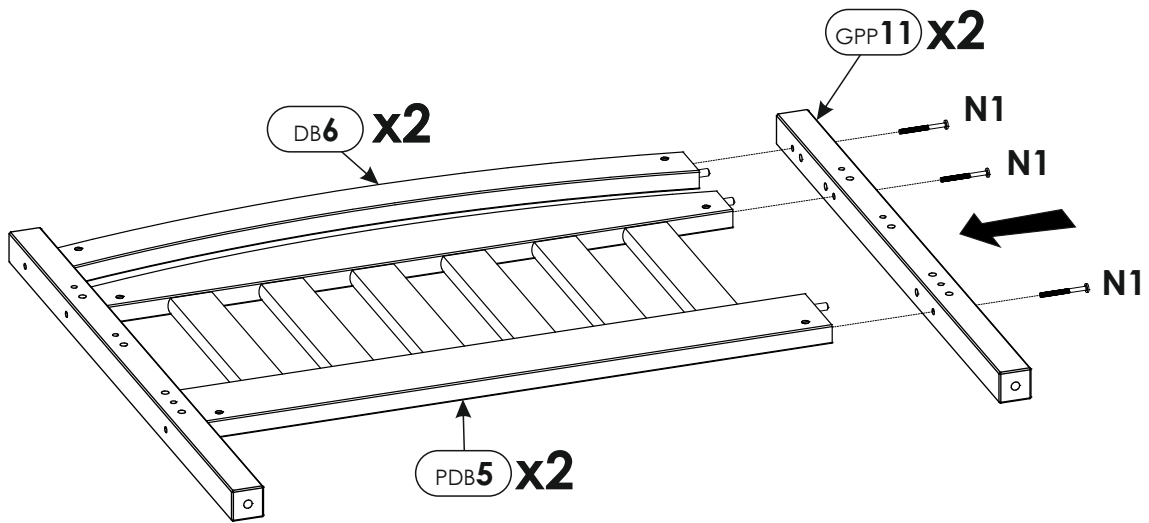
12.



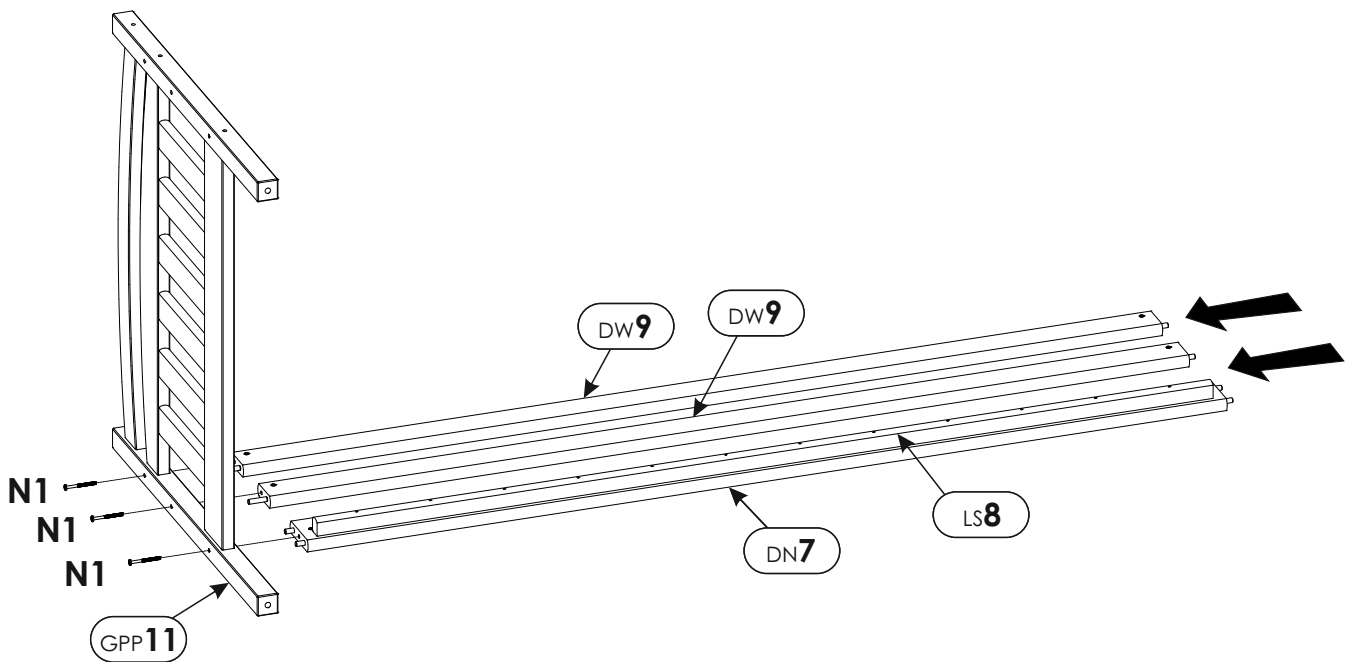
13.



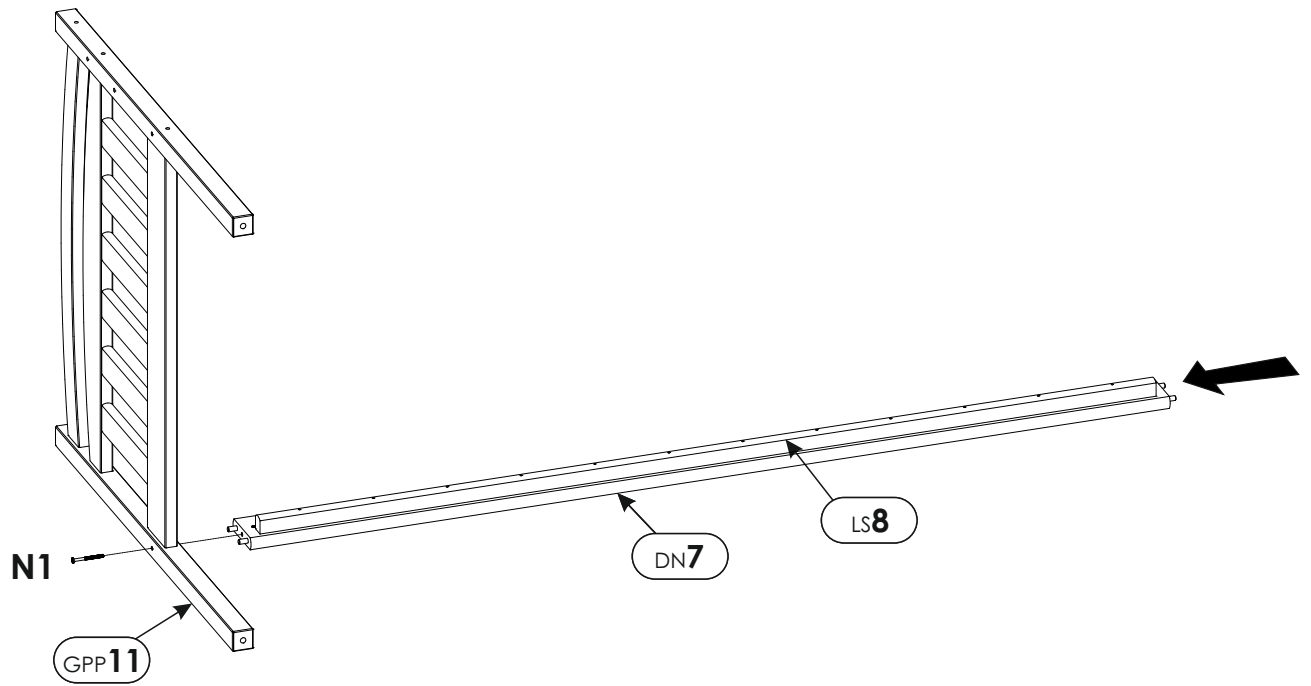
14.



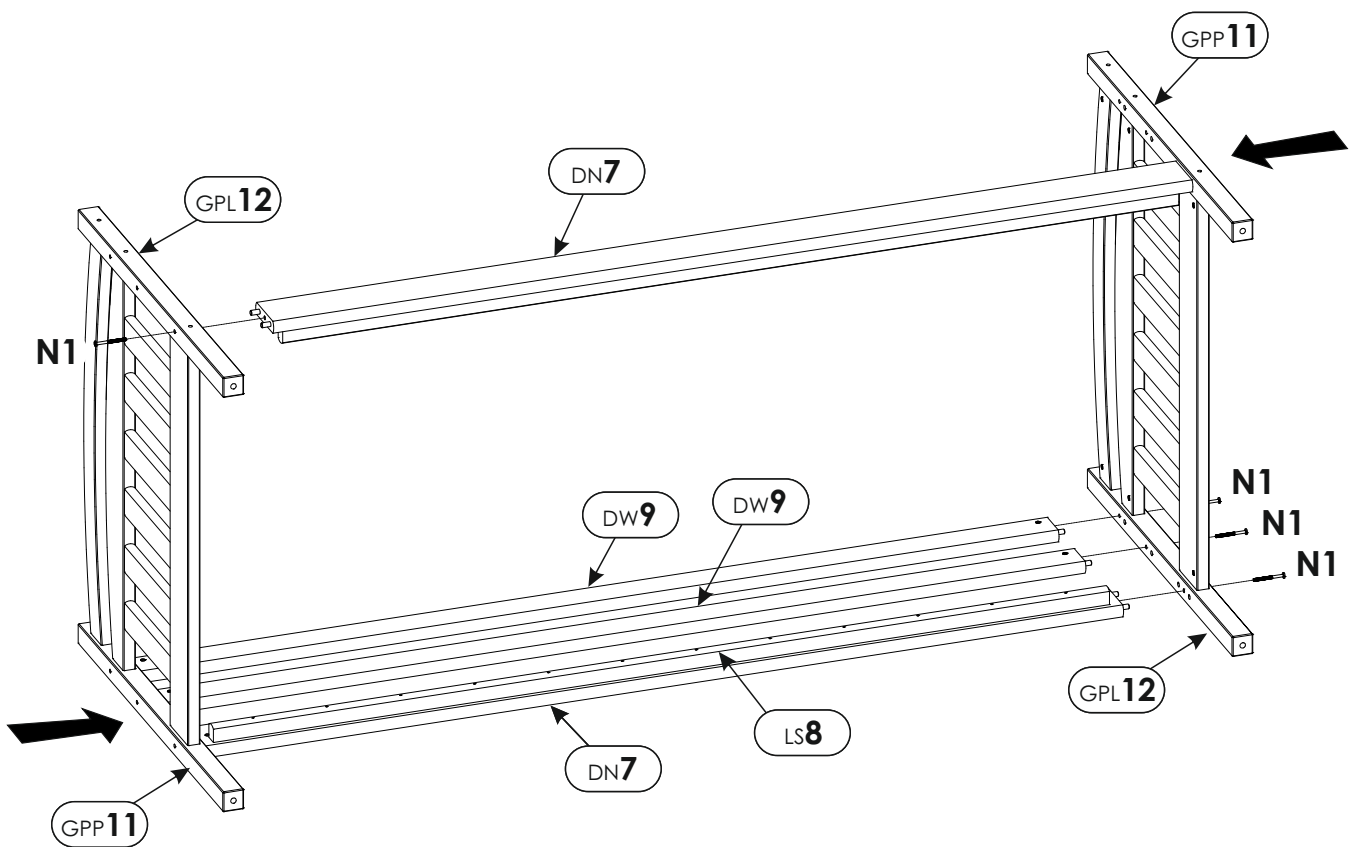
15.



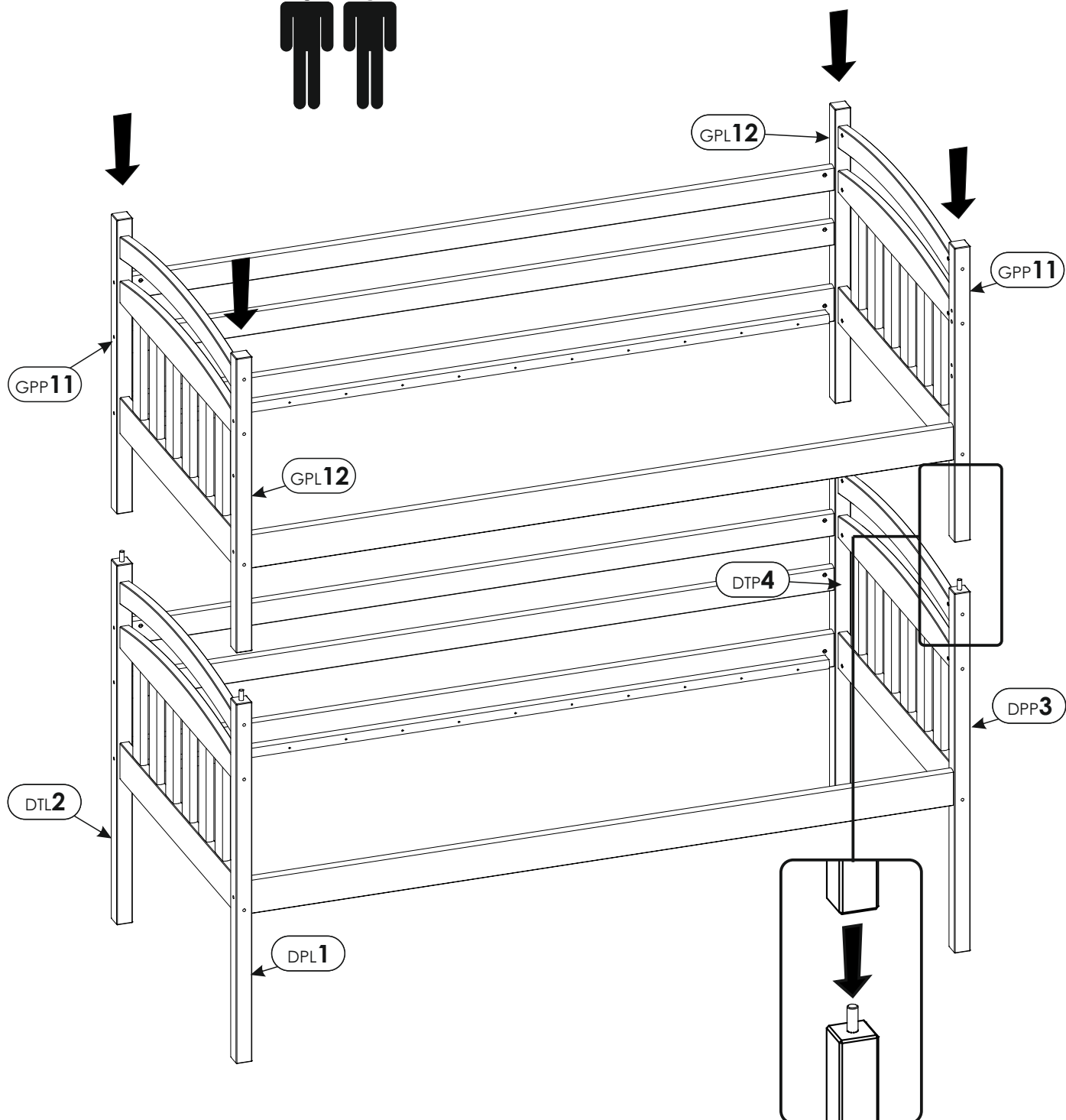
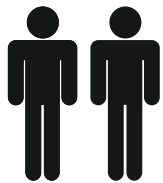
16.



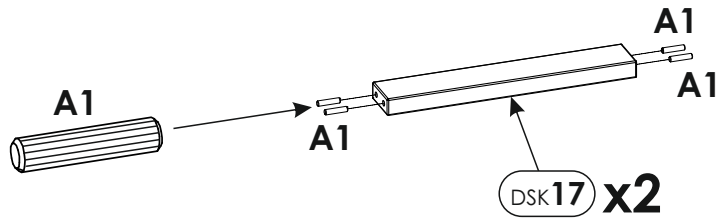
17.



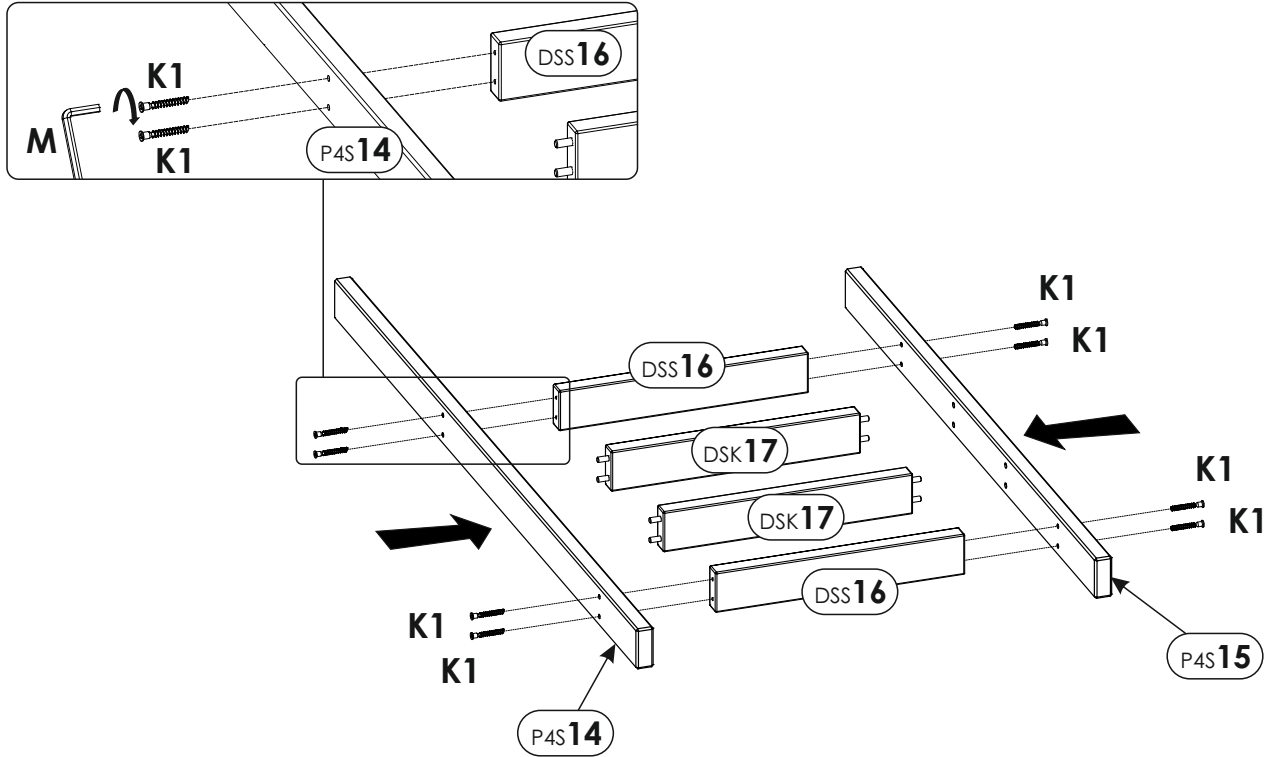
18.



19.



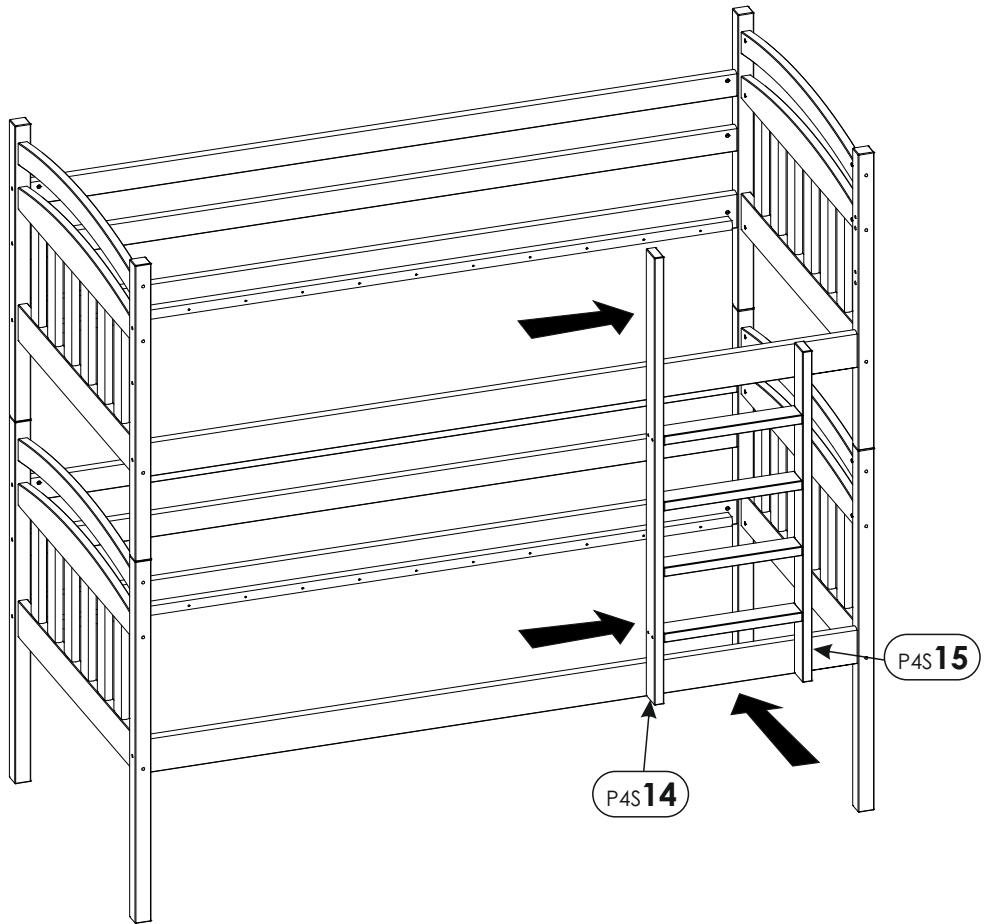
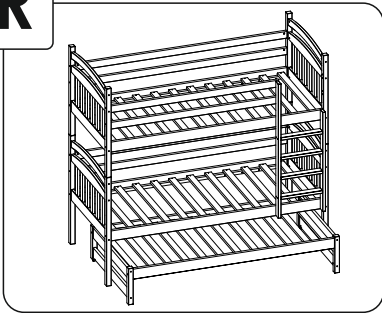
20.



21.

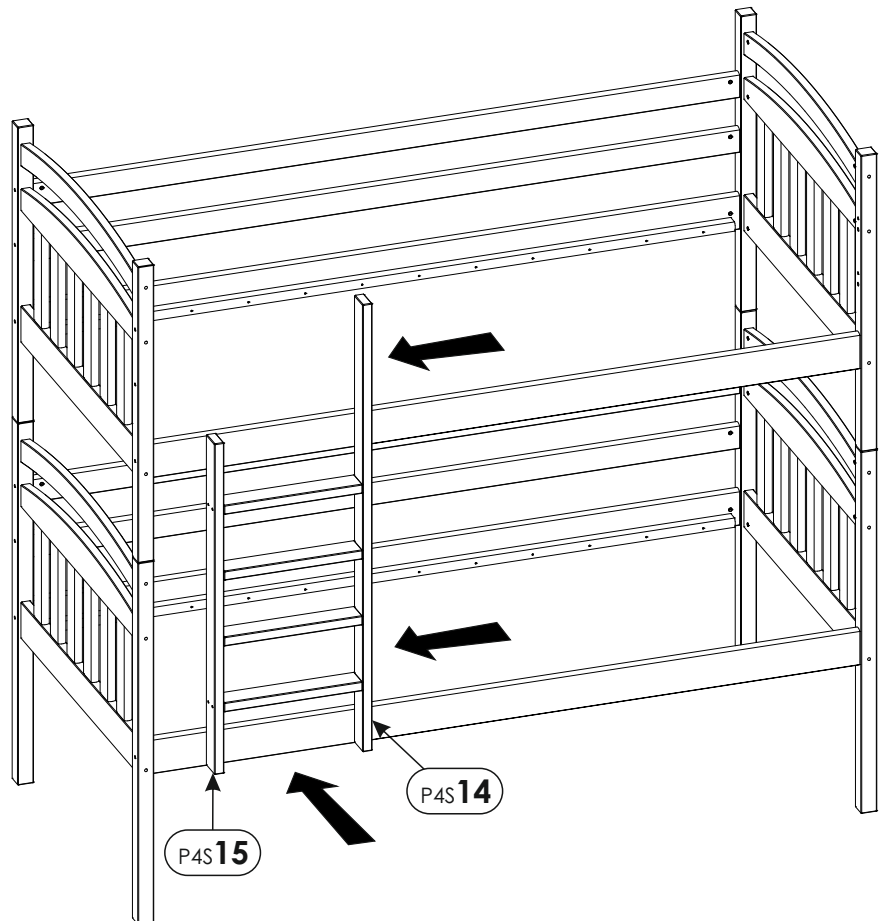
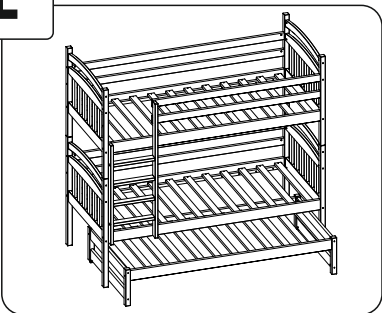
21.1

R



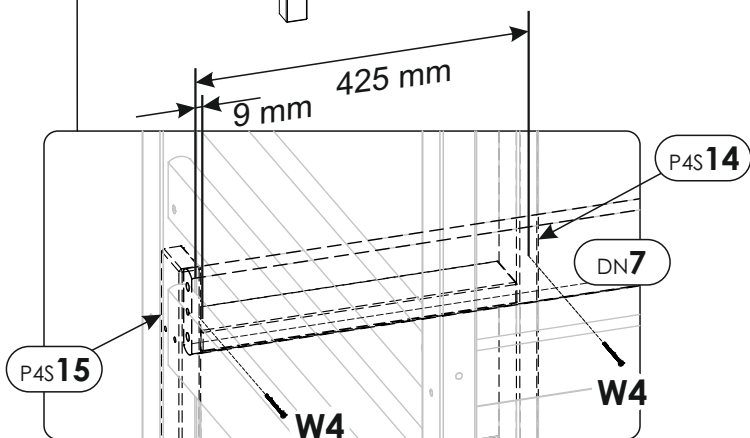
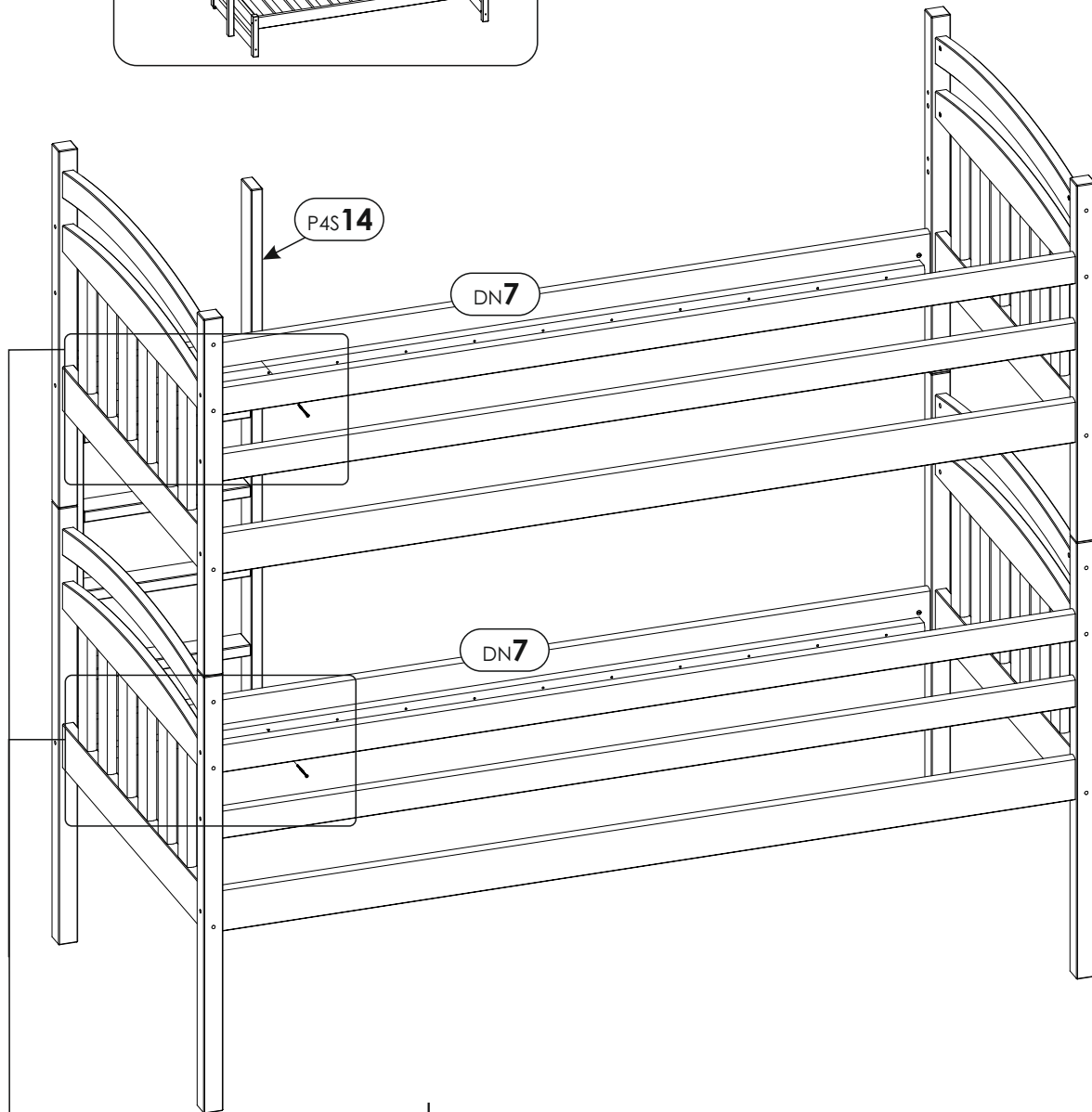
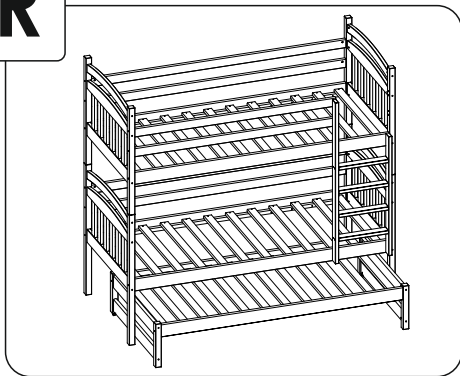
21.2

L



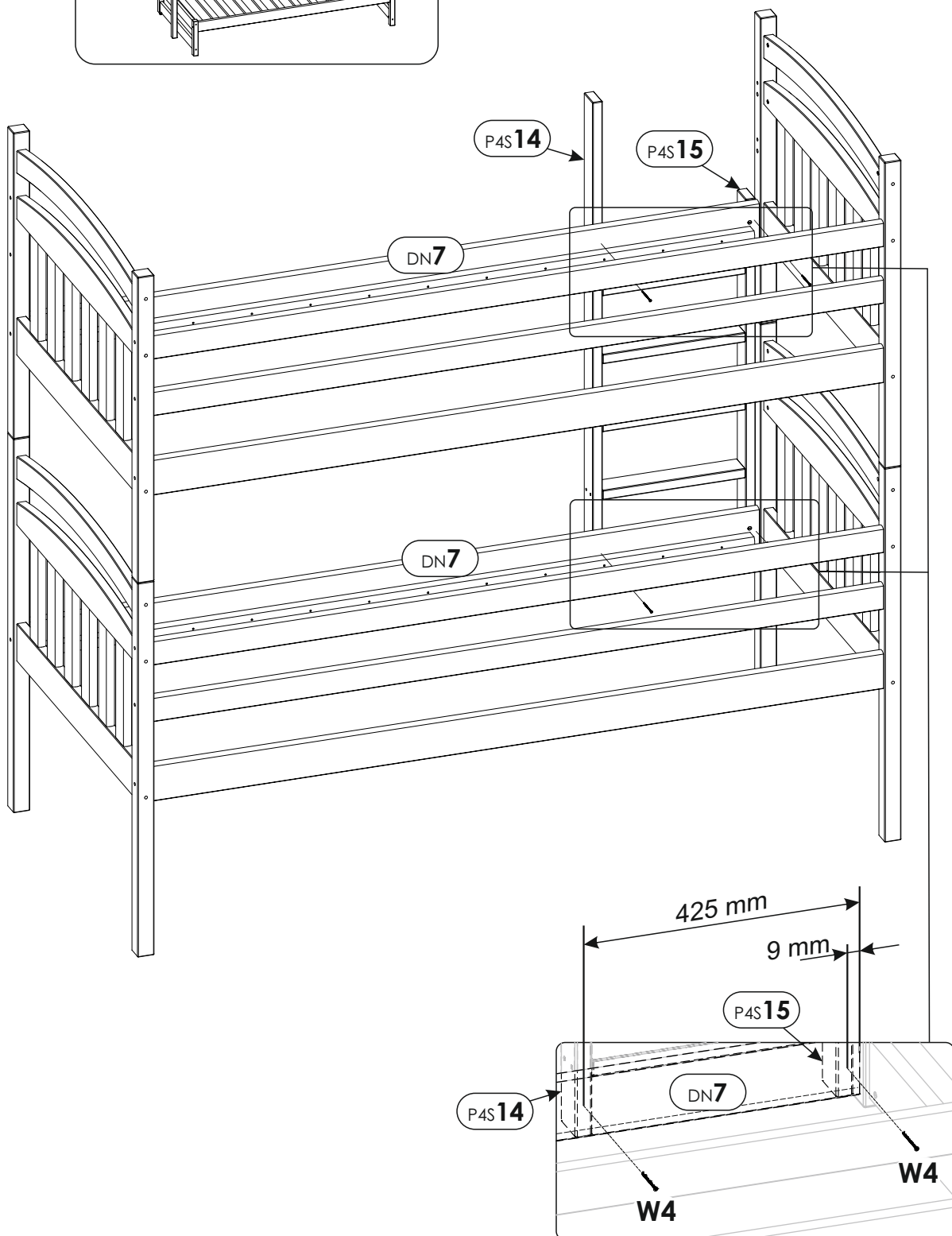
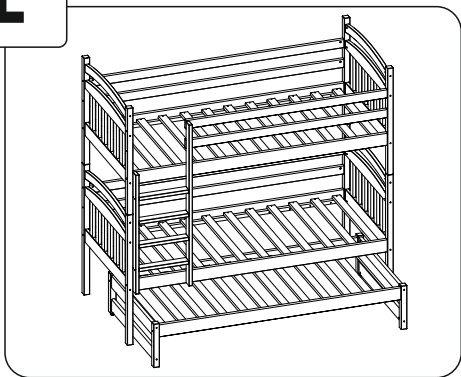
22.

R

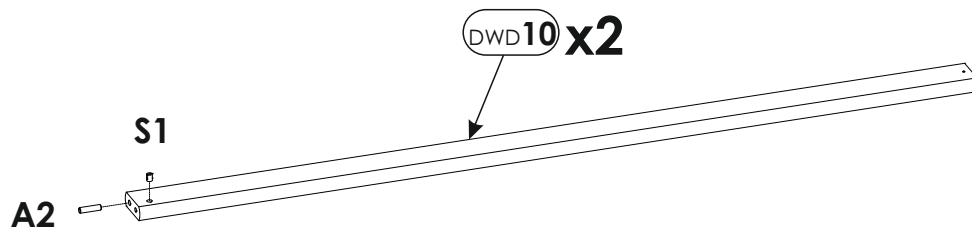


23.

L

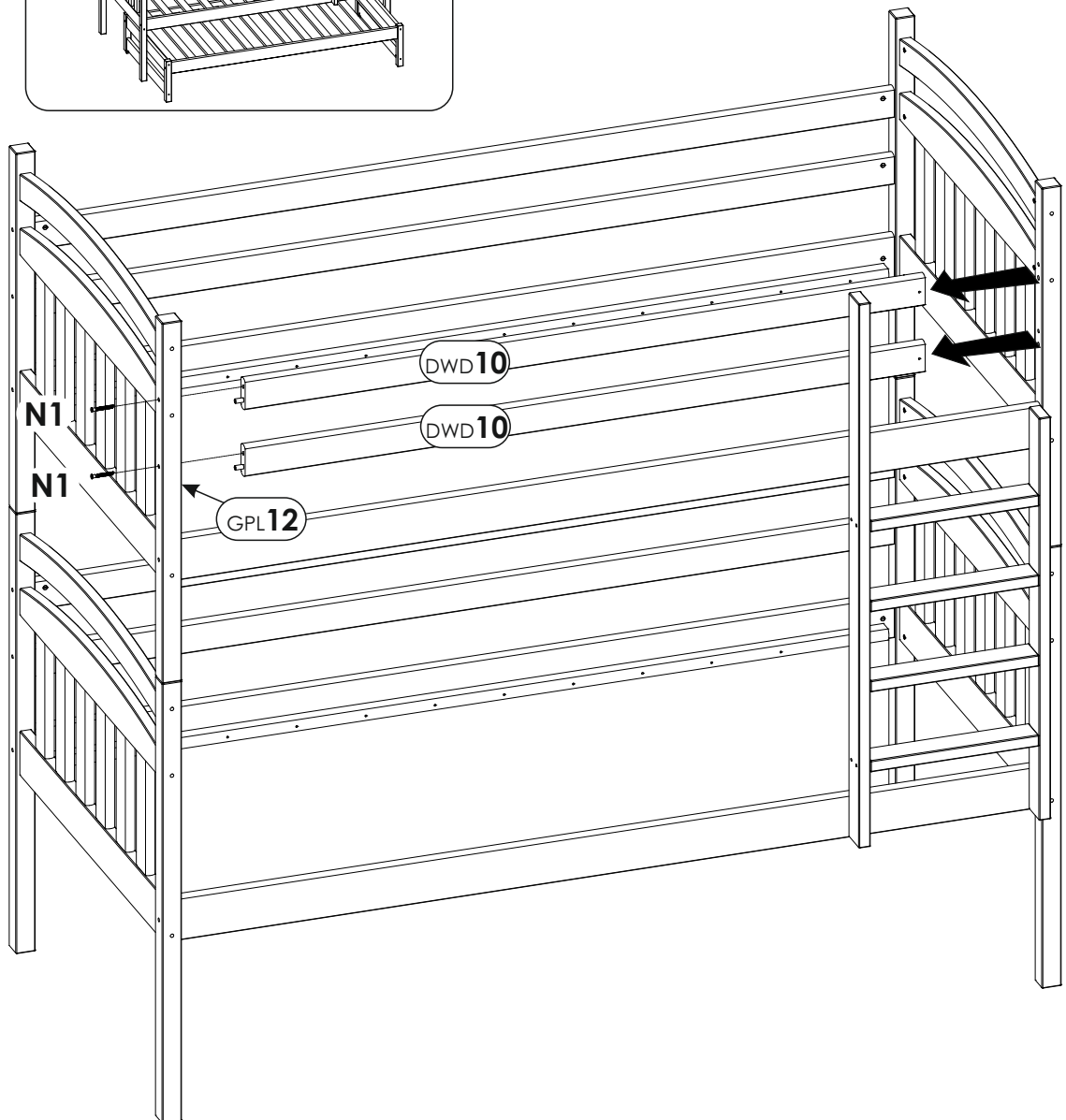
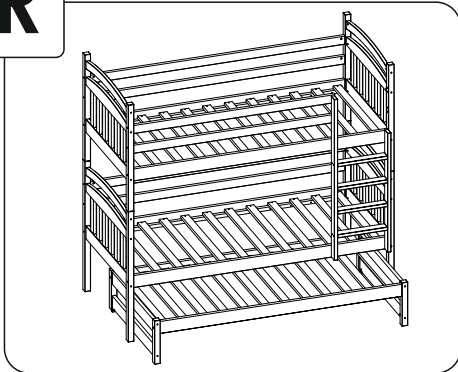


24.



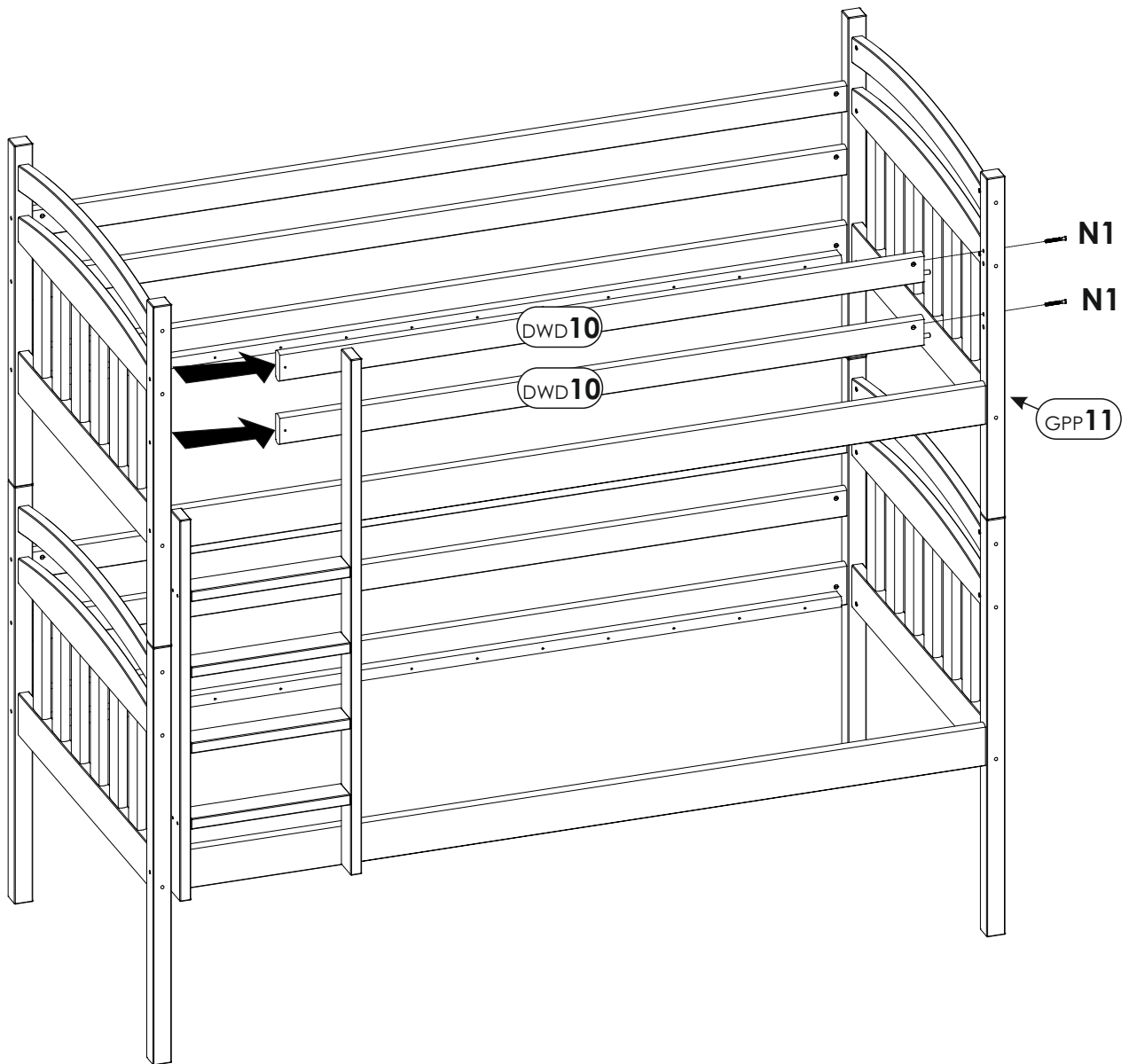
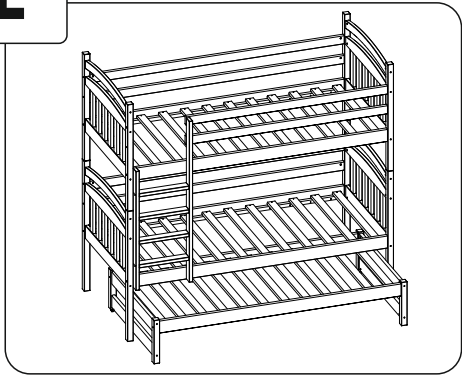
25.

R



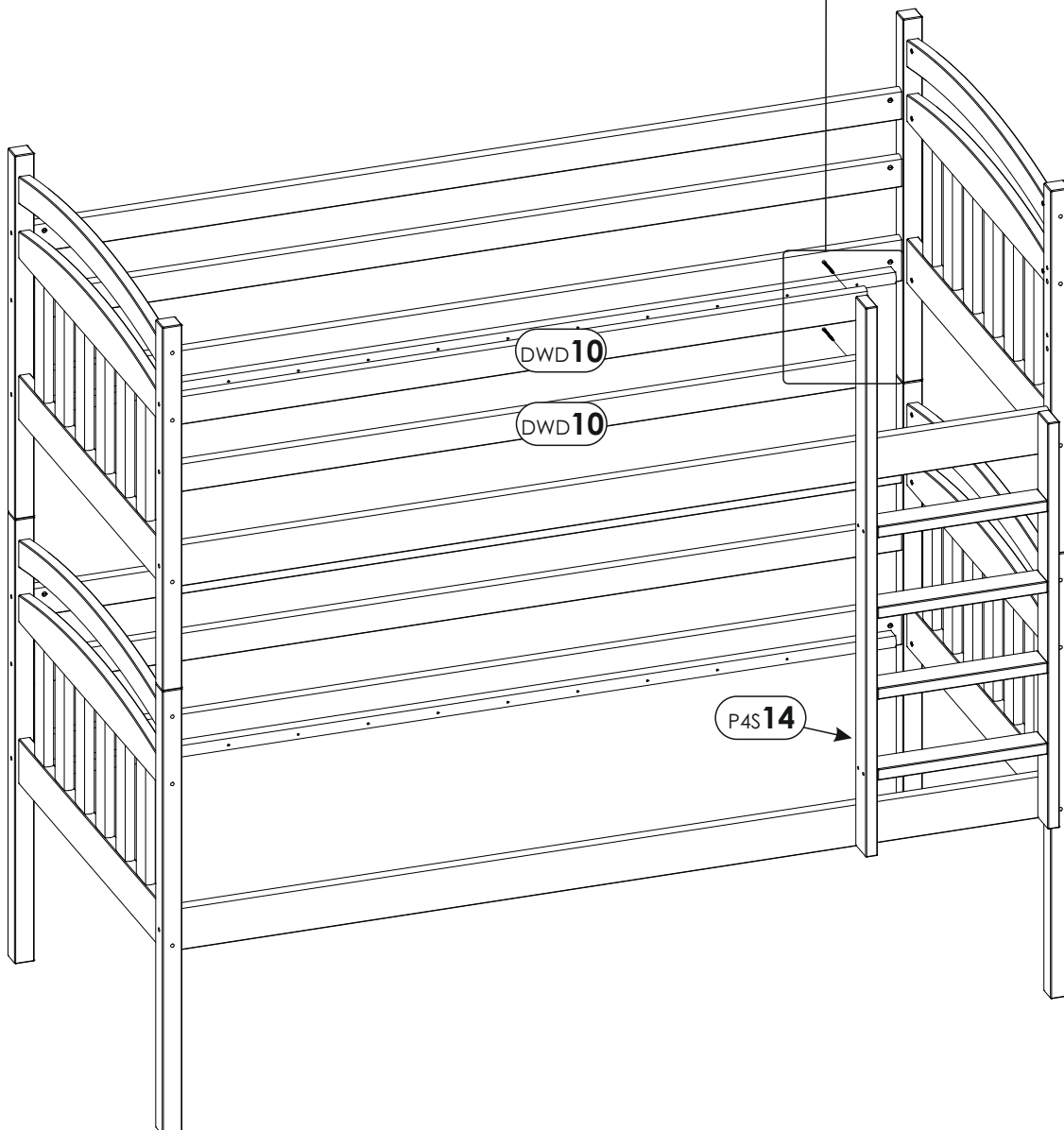
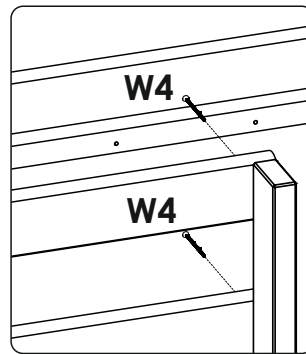
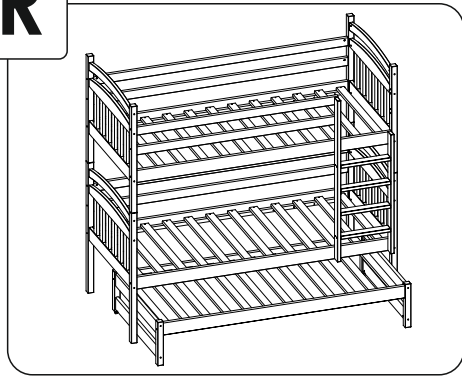
26.

L



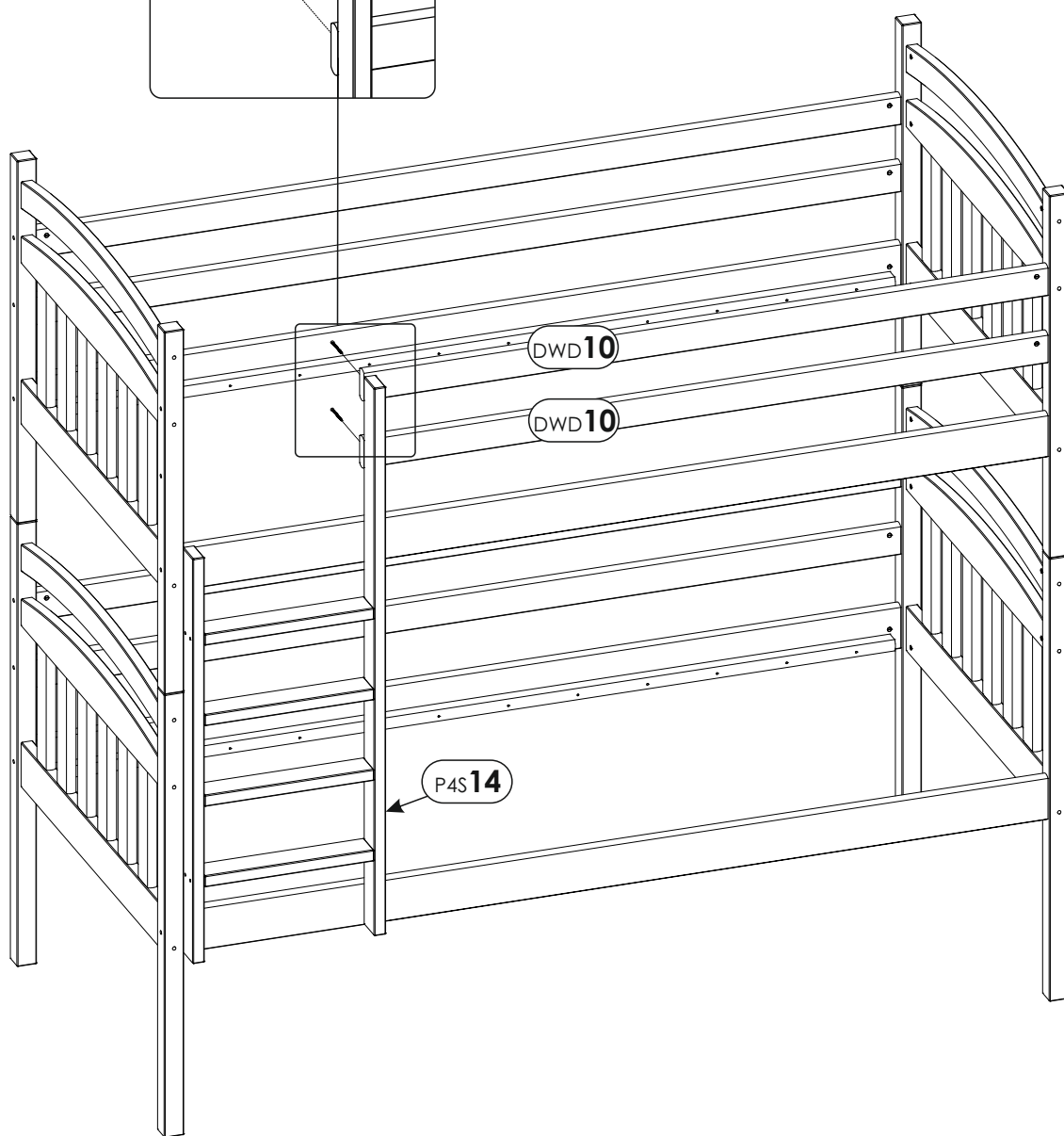
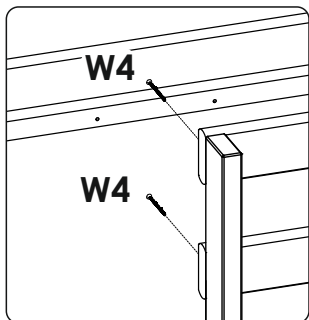
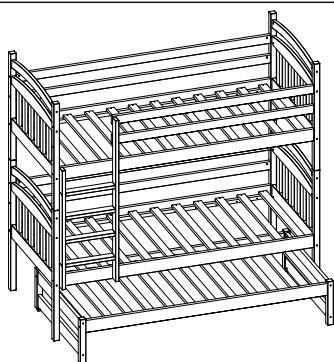
27.

R



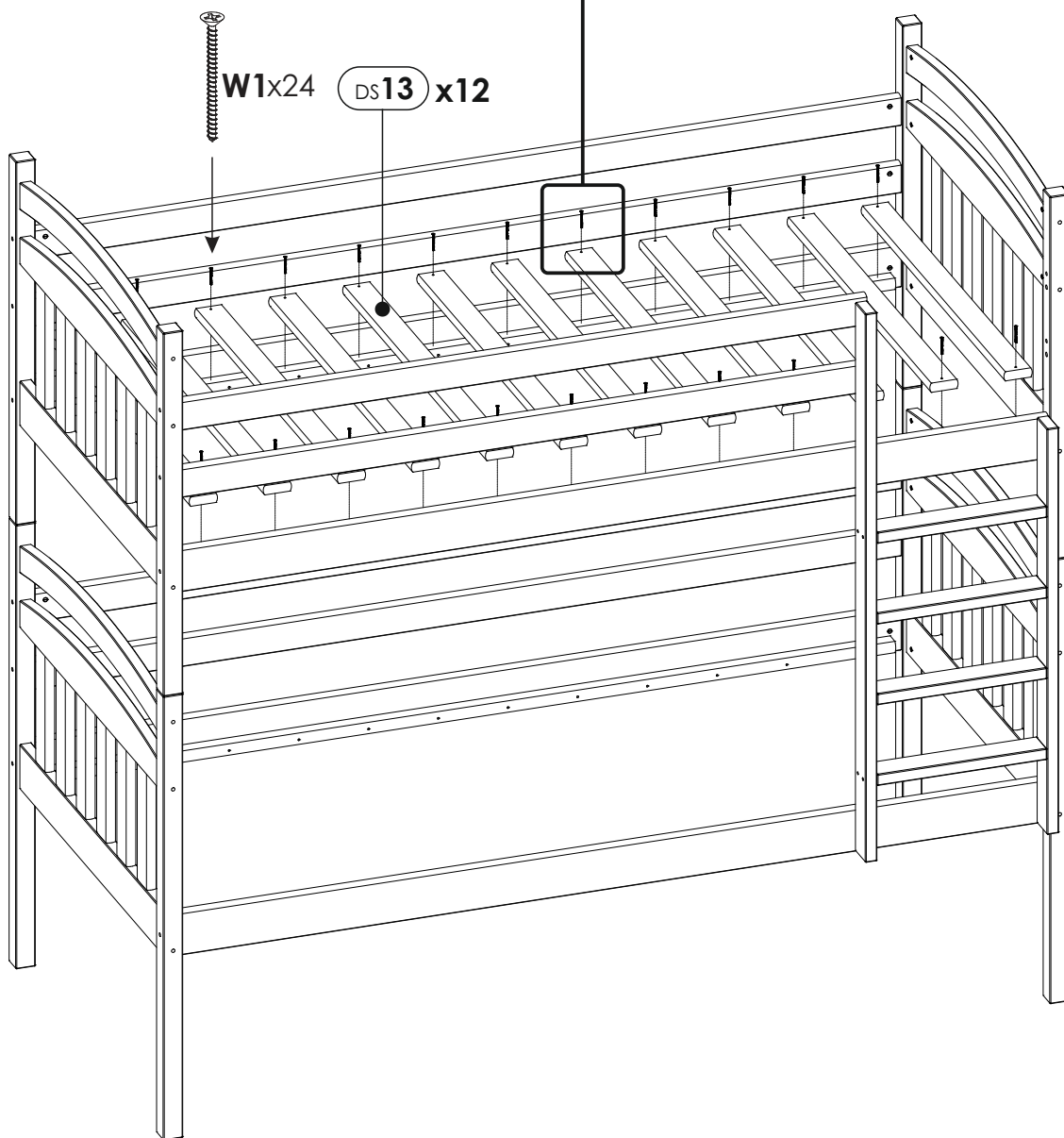
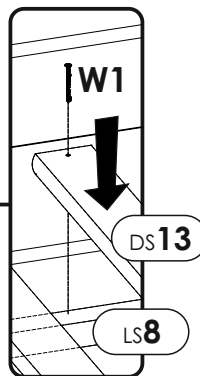
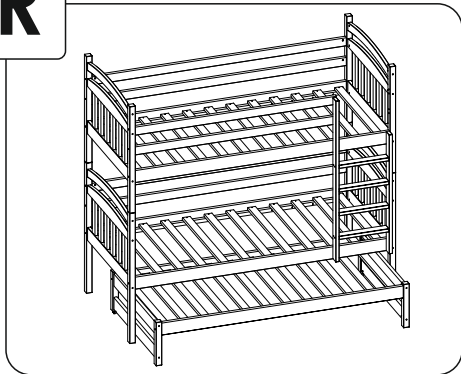
28.

L



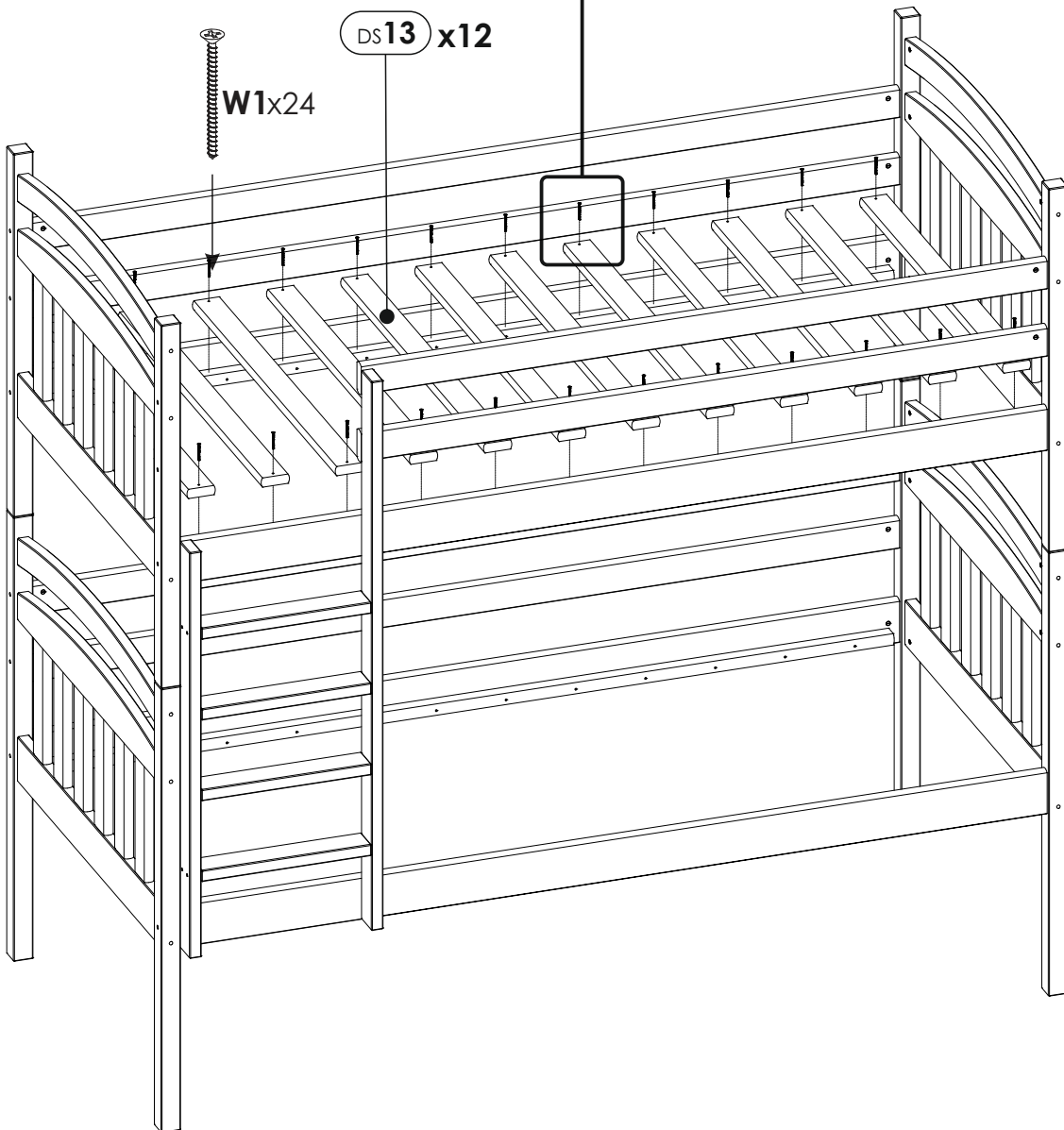
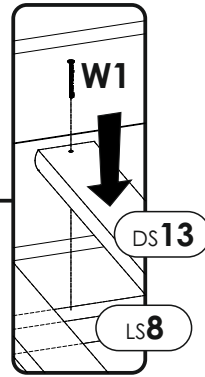
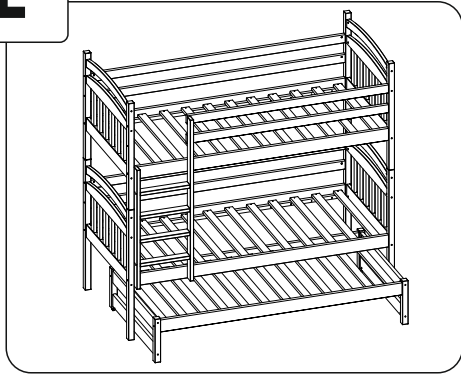
29.

R



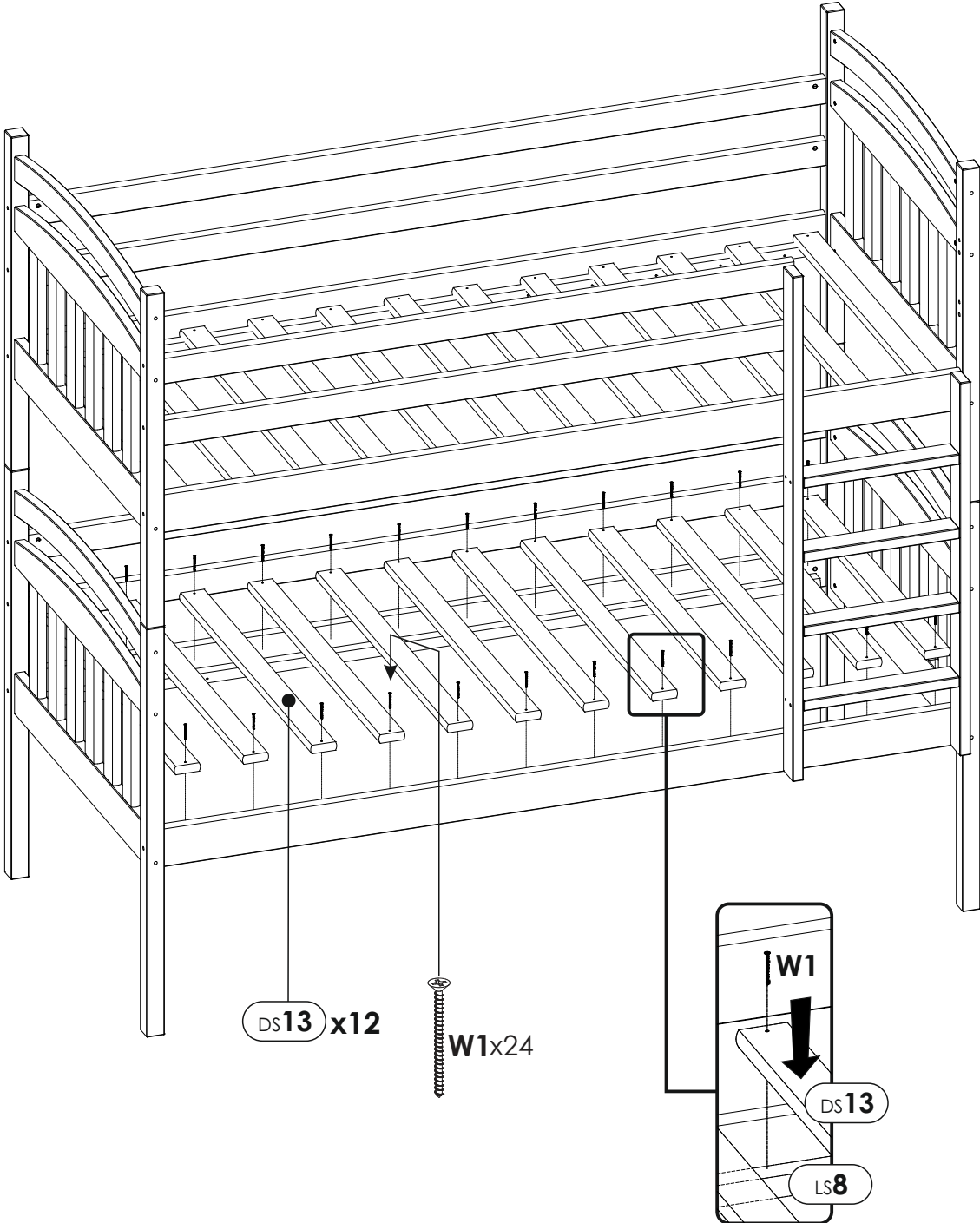
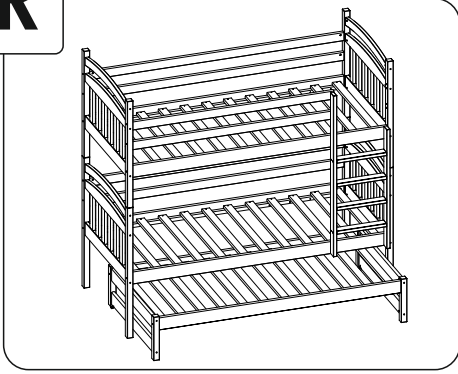
30.

L



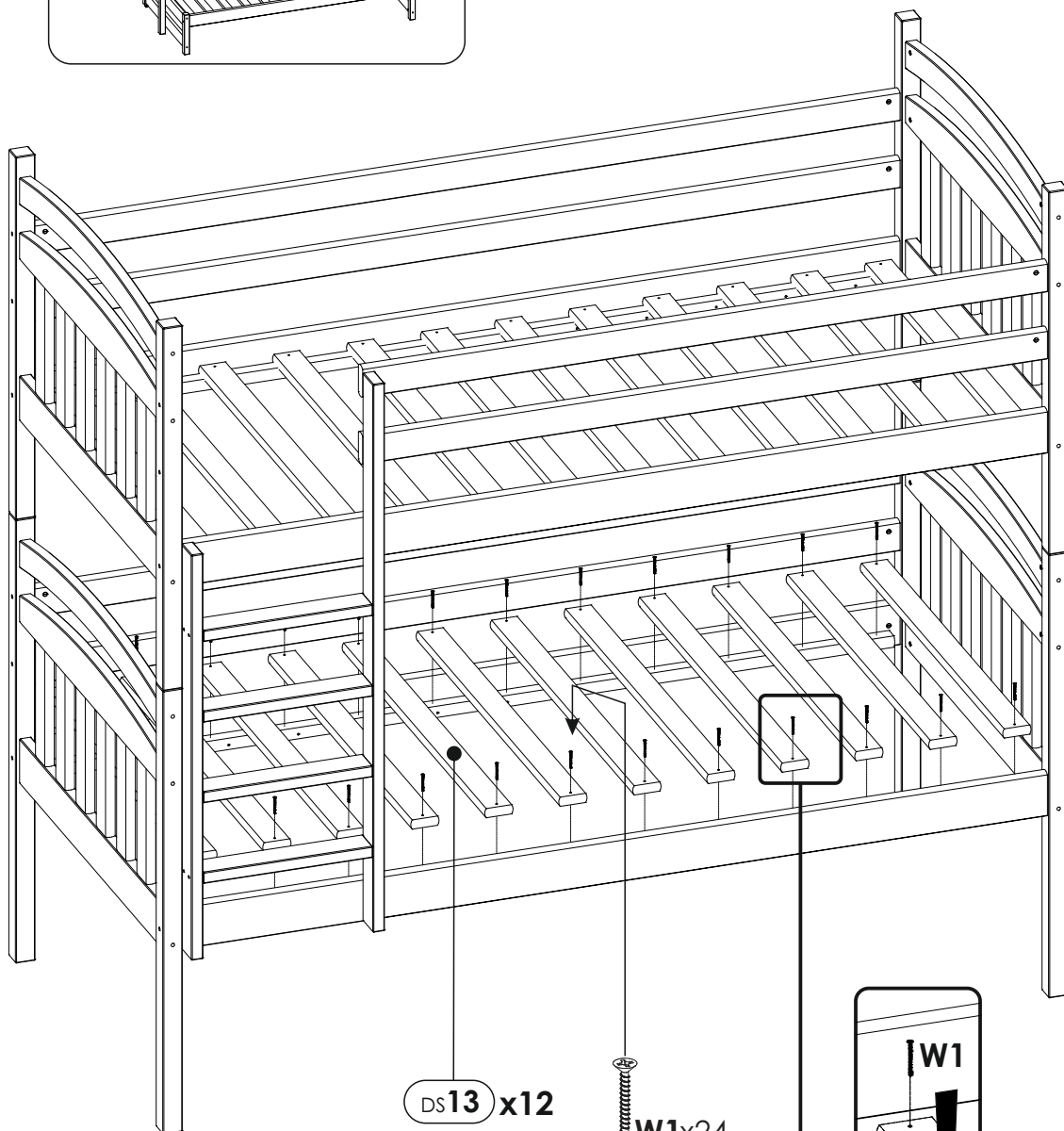
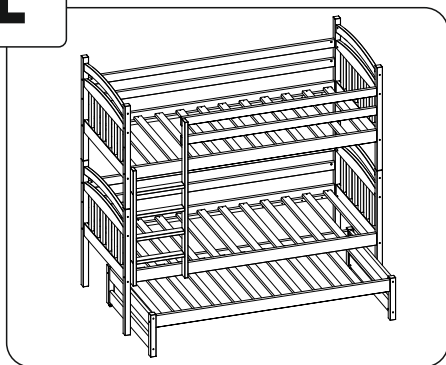
31.

R



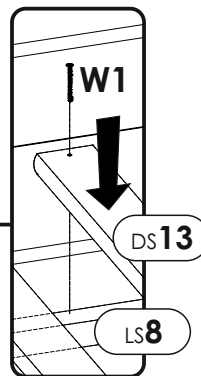
32.

L

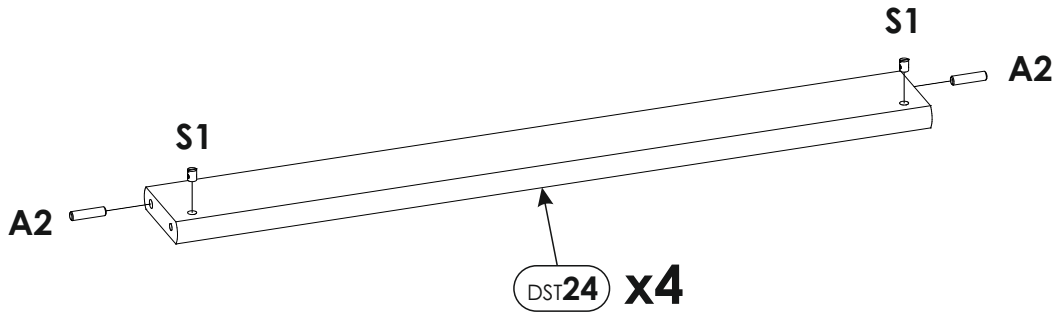


DS13 x12

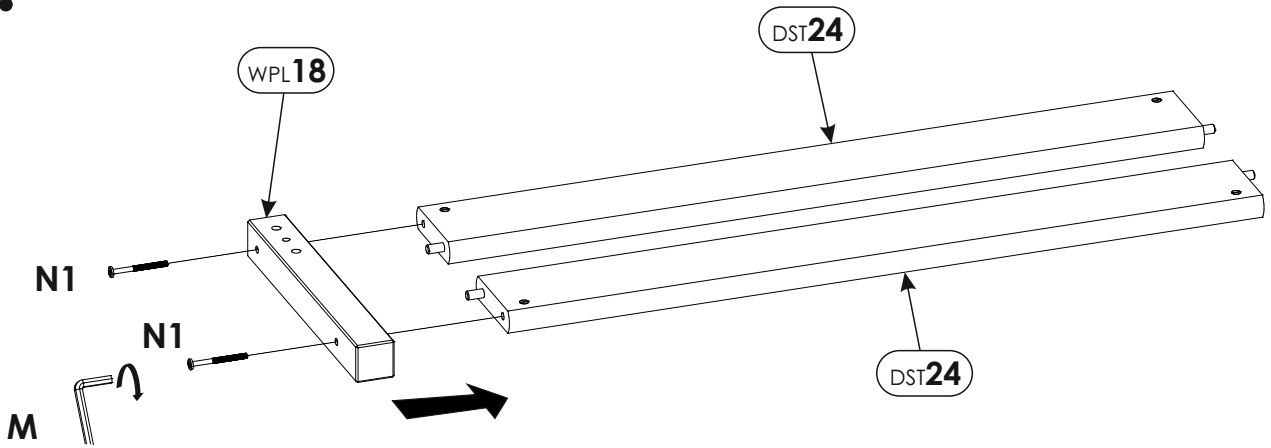
W1x24



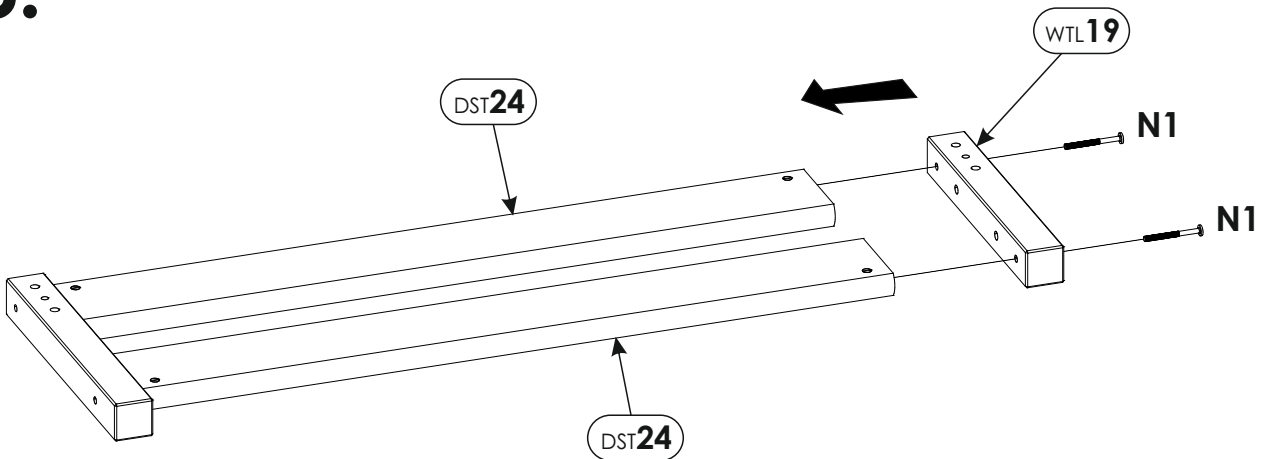
33.



34.

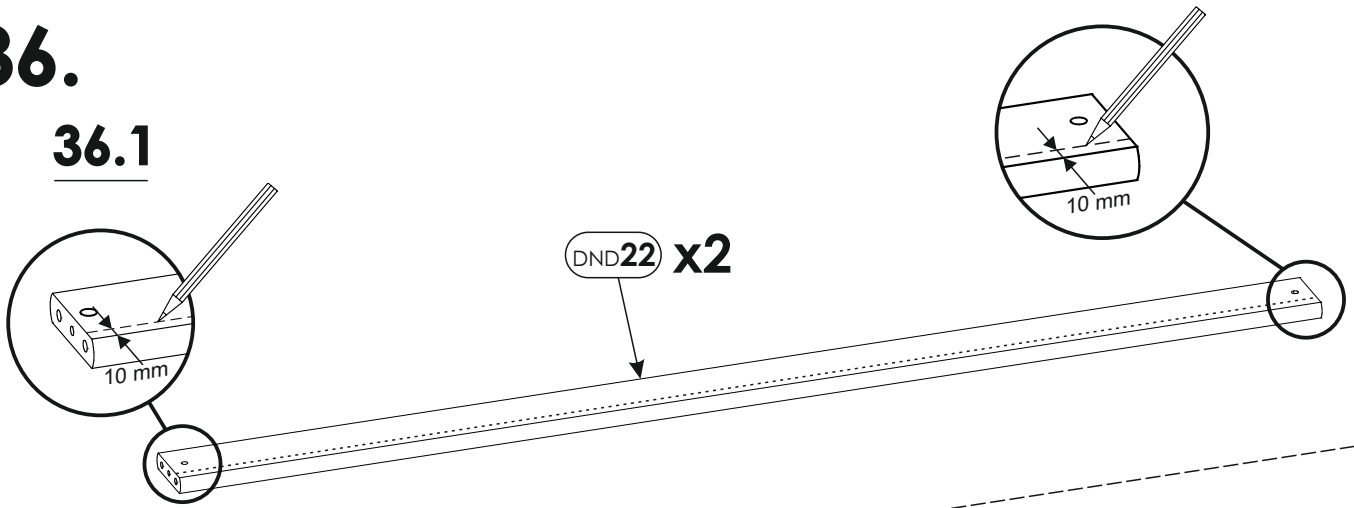


35.

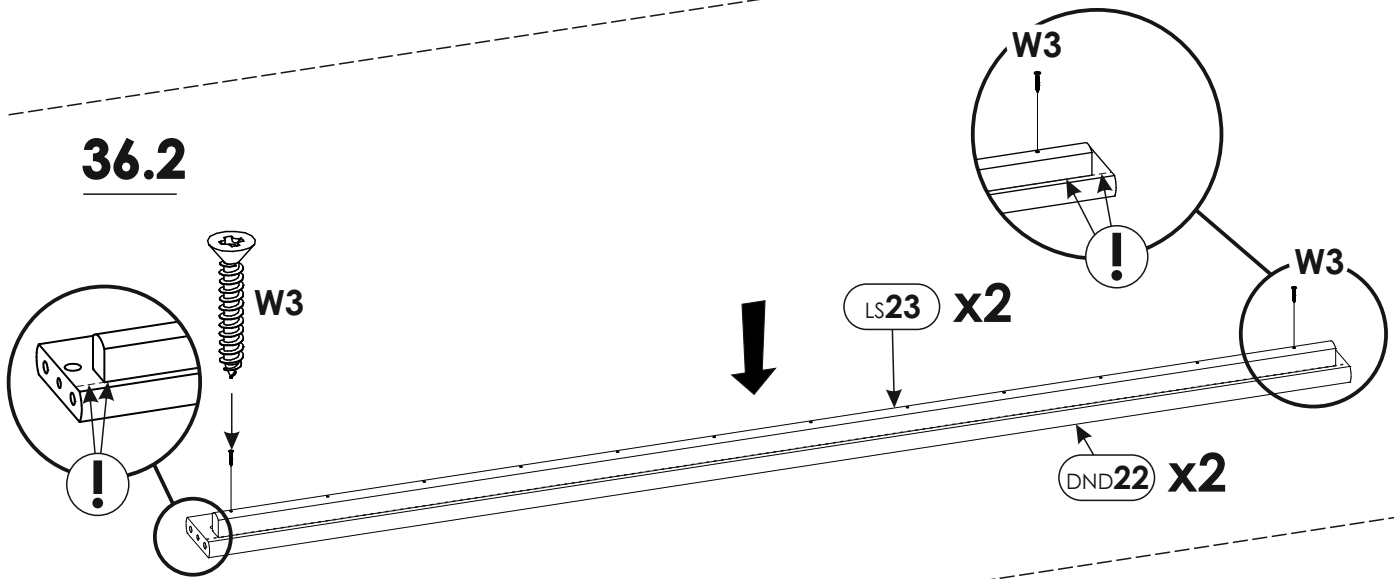


36.

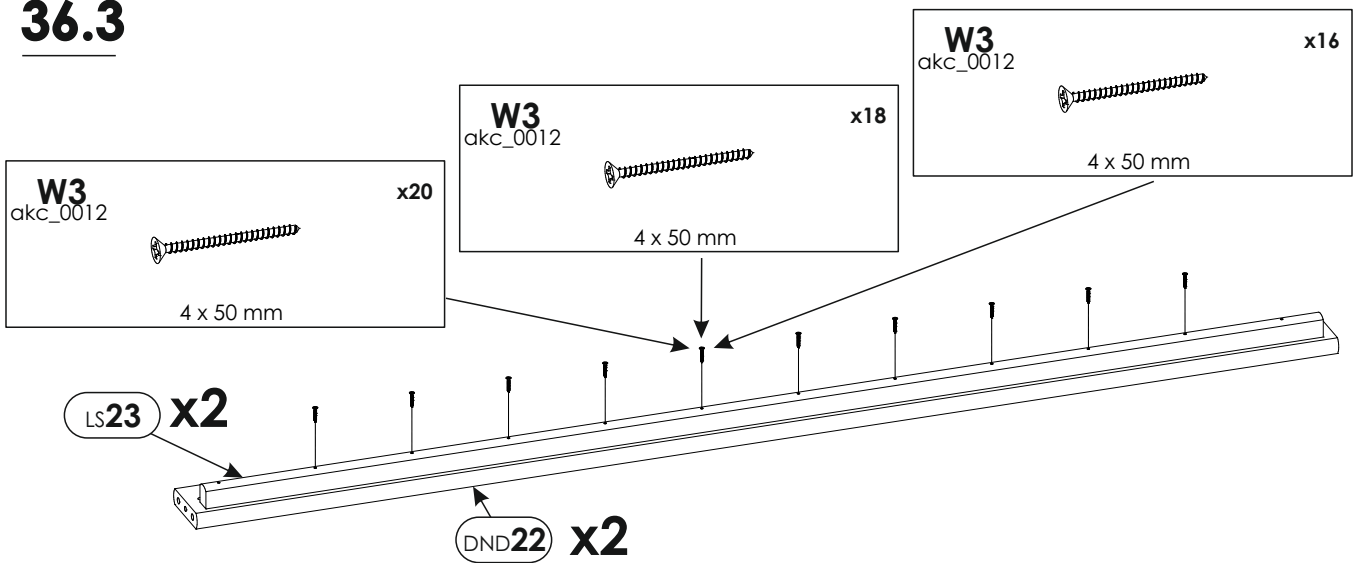
36.1



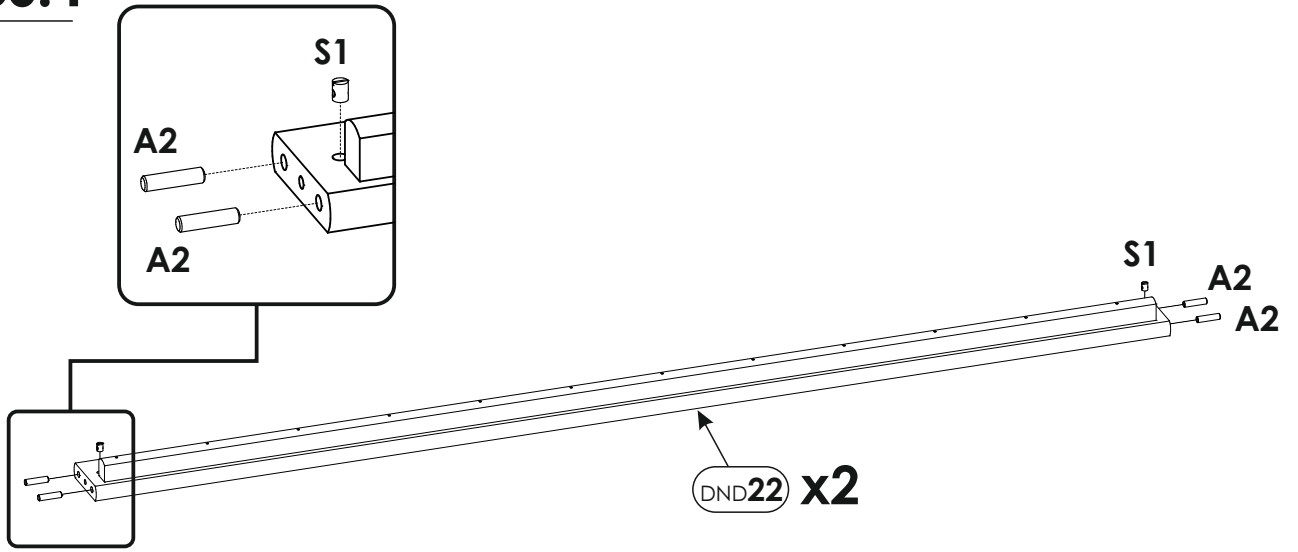
36.2



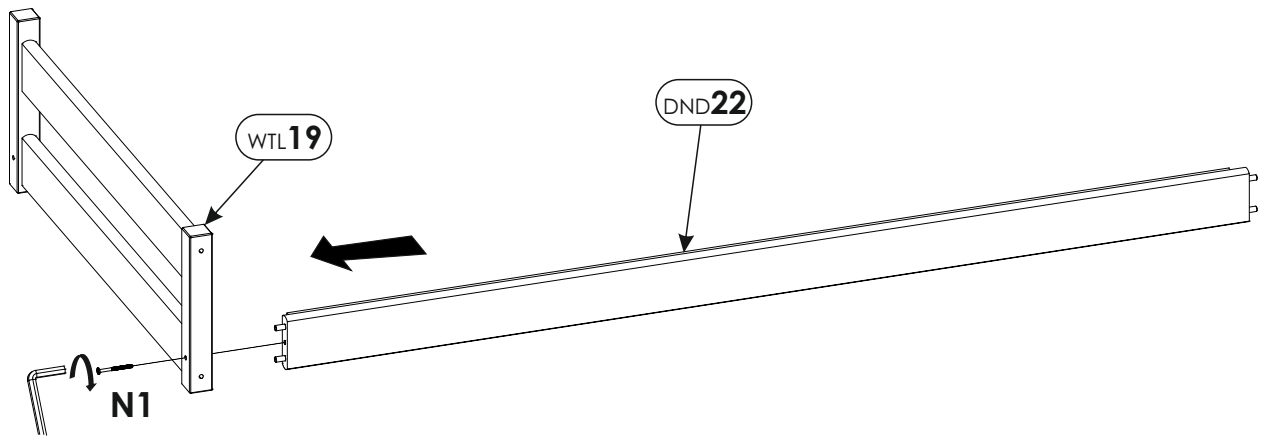
36.3



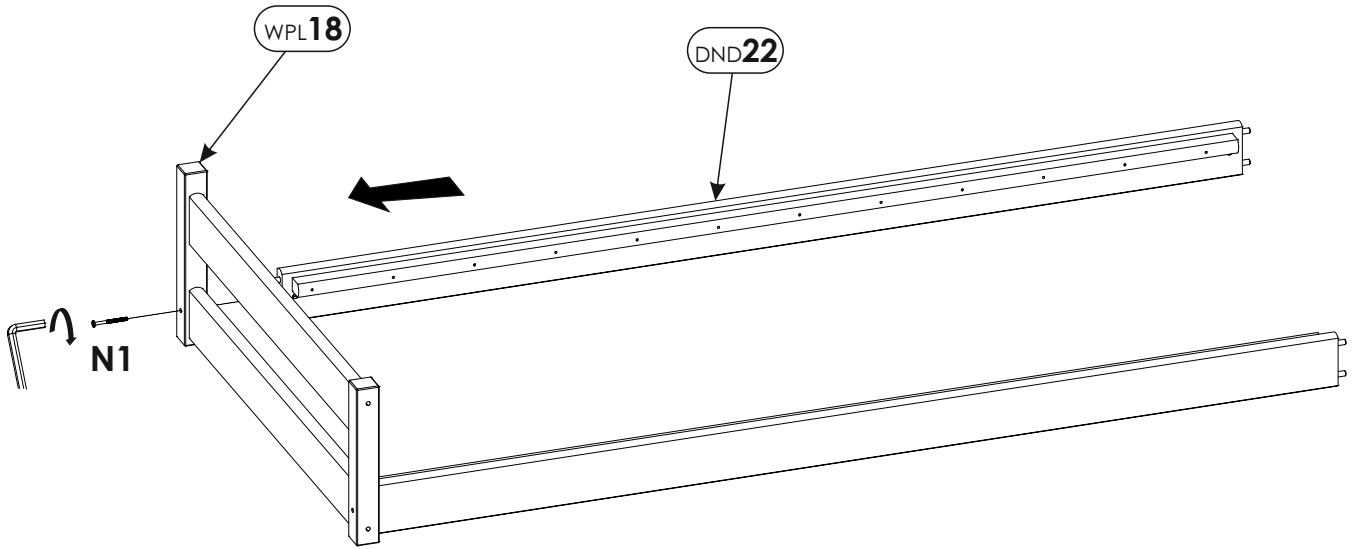
36.4



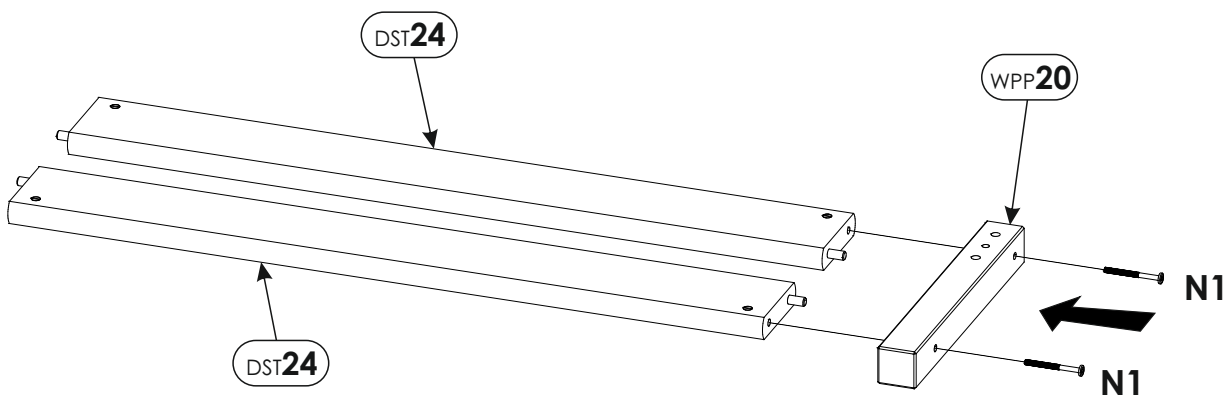
37.



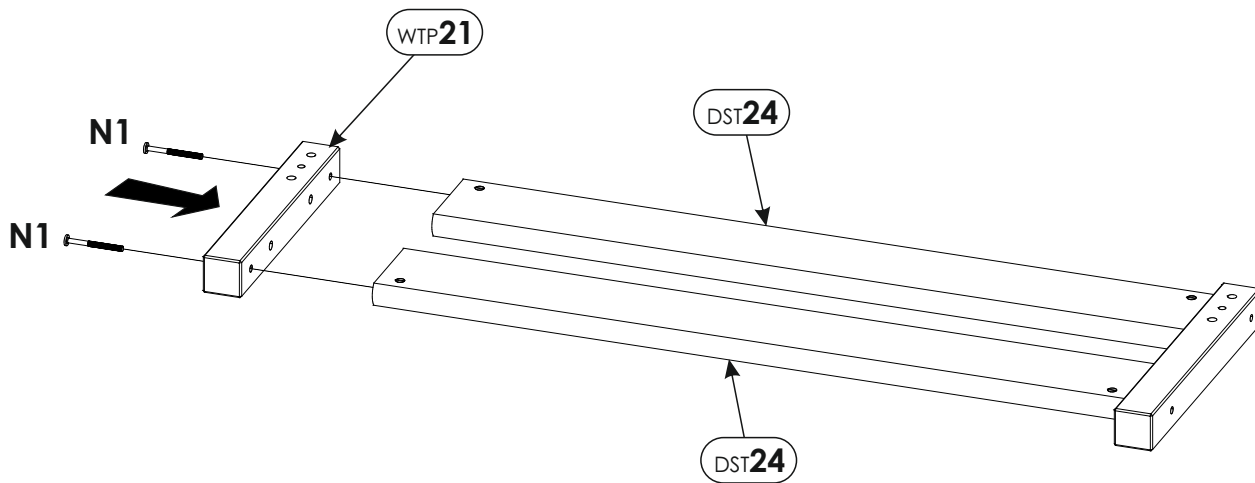
38.



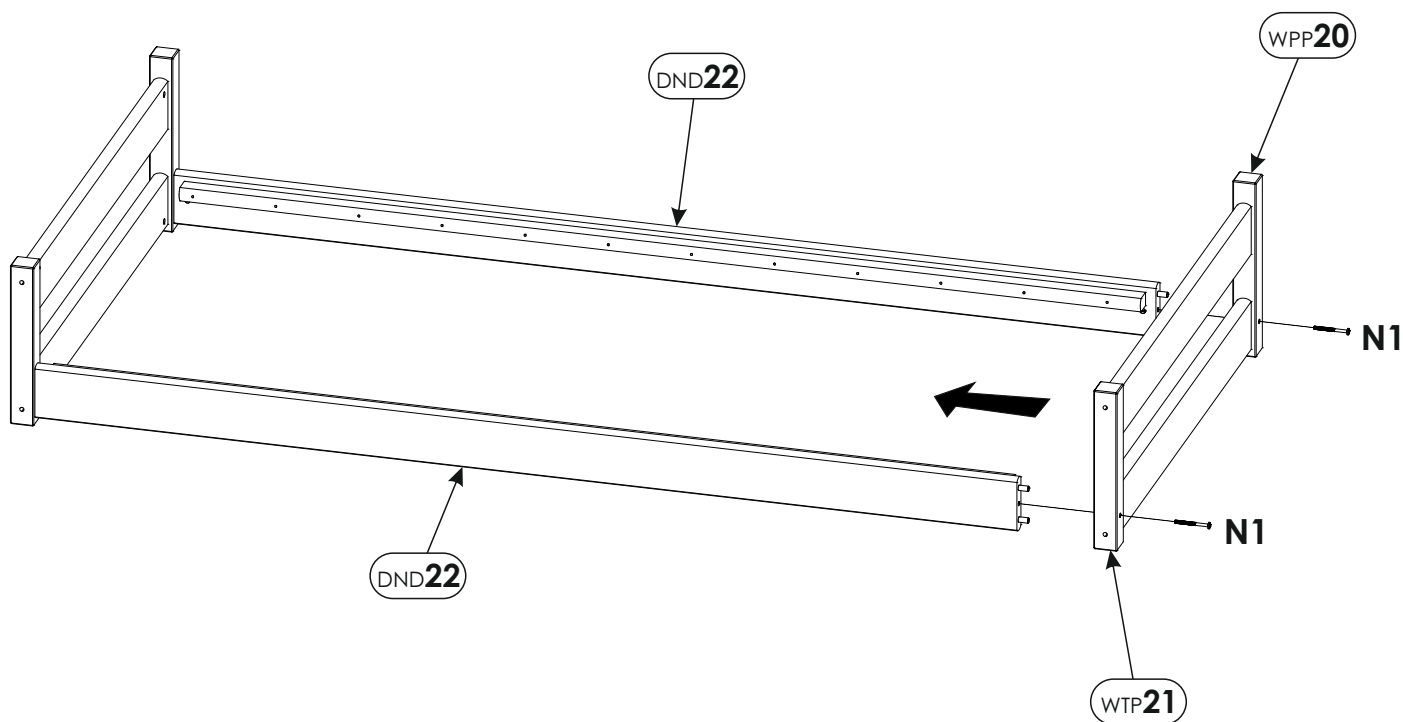
39.



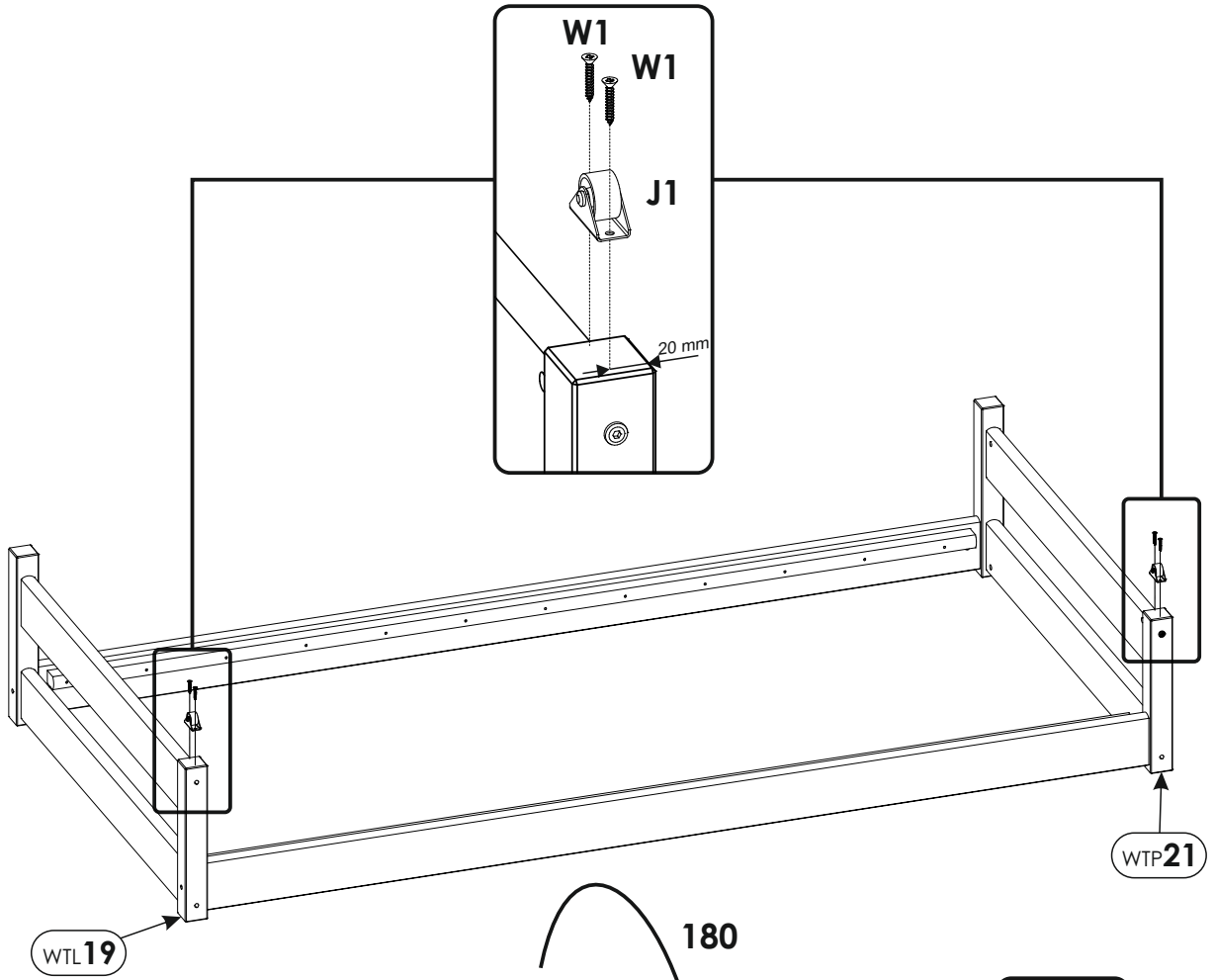
40.



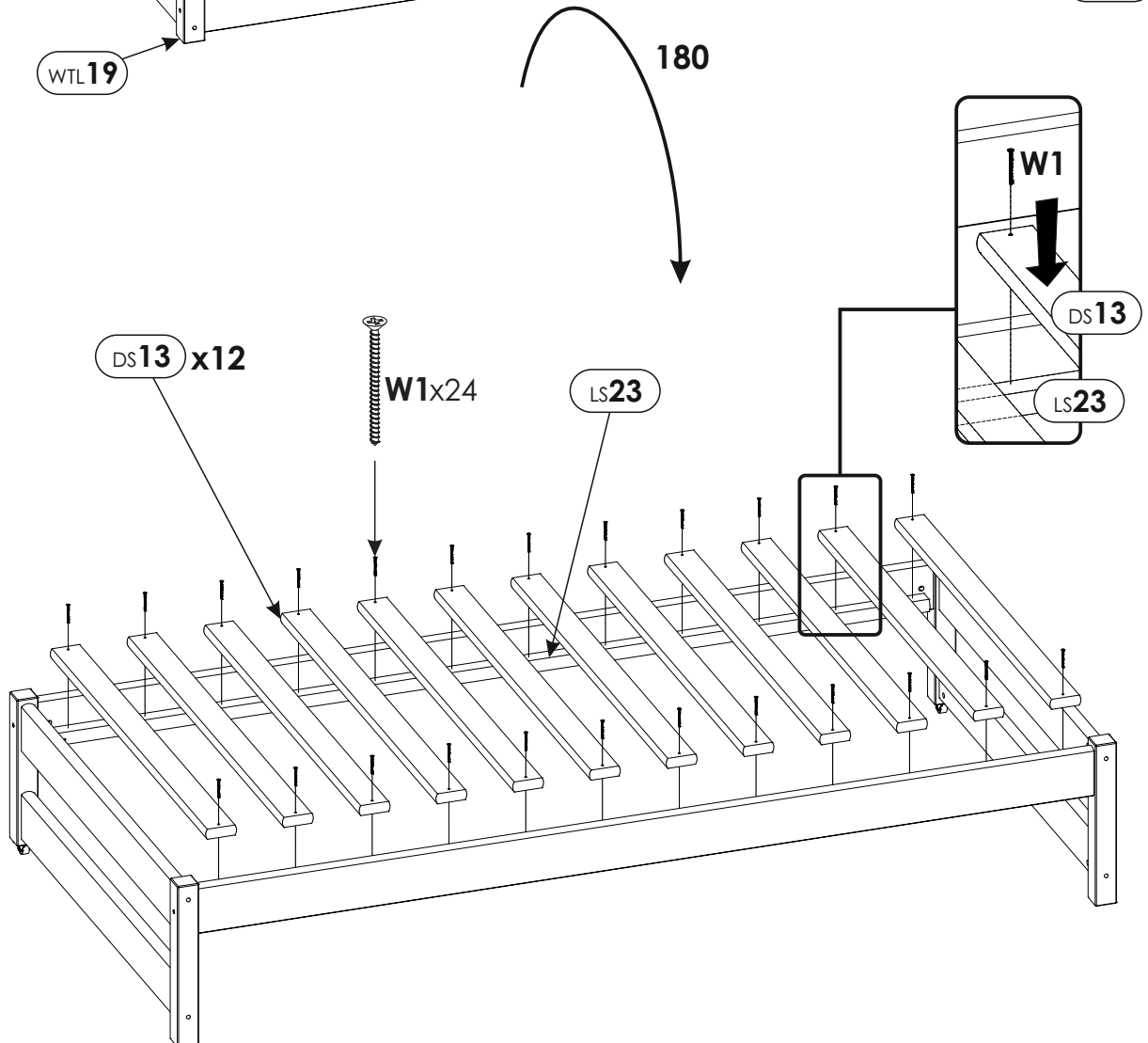
41.



42.

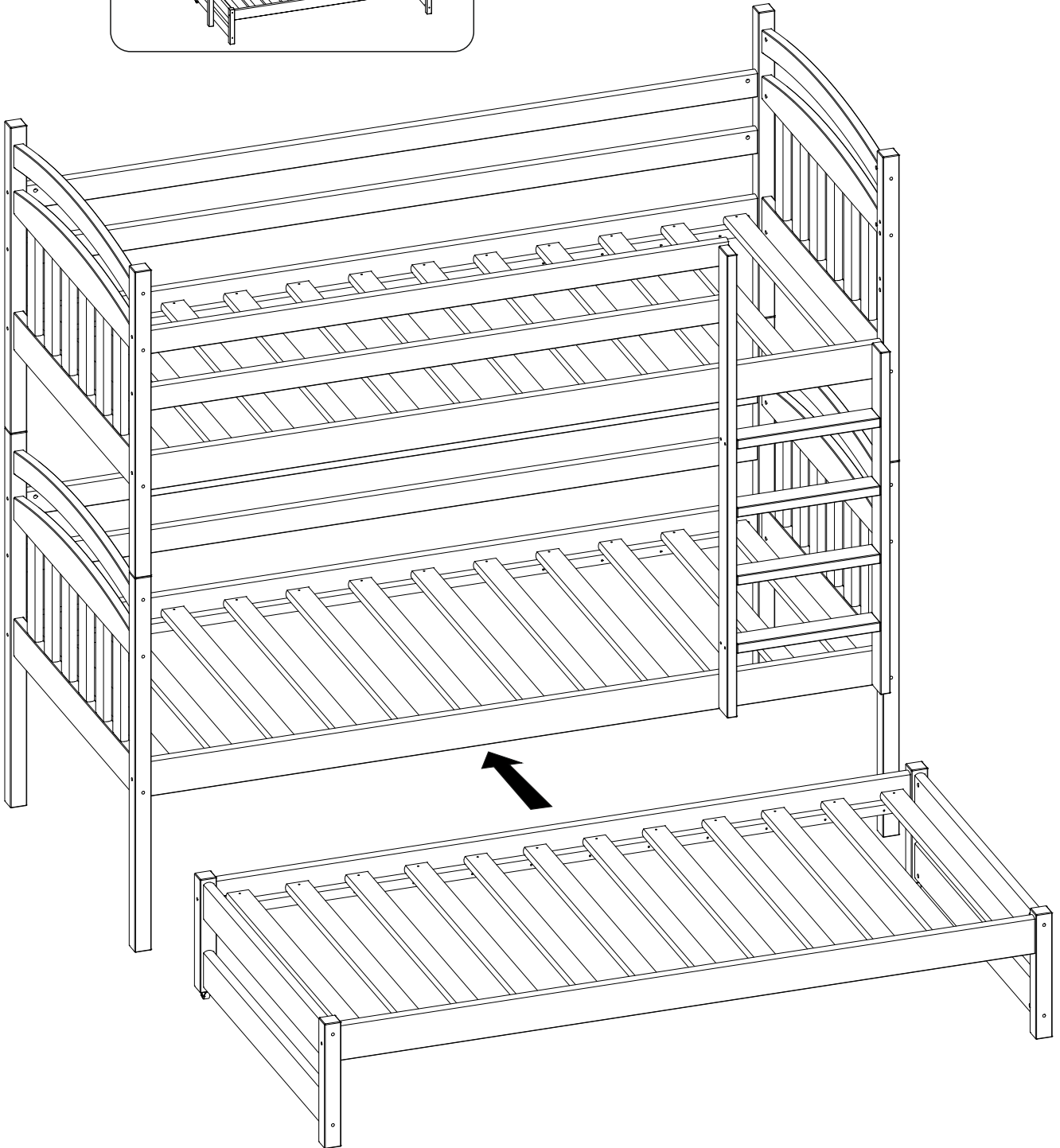
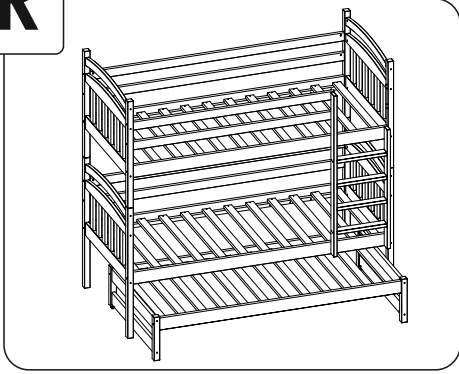


43.



44.

R



45.

L

