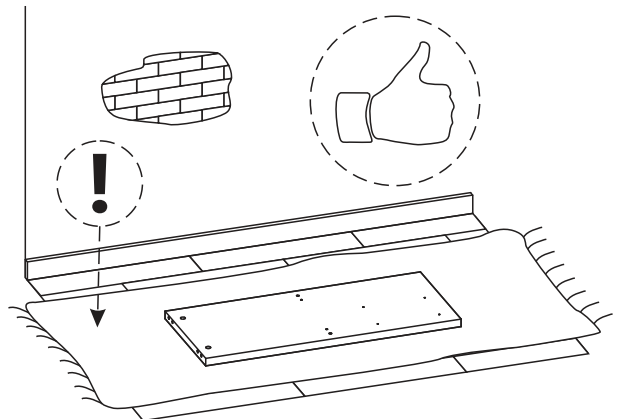
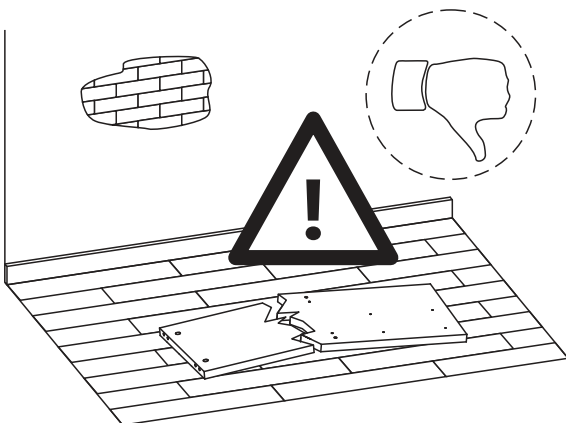
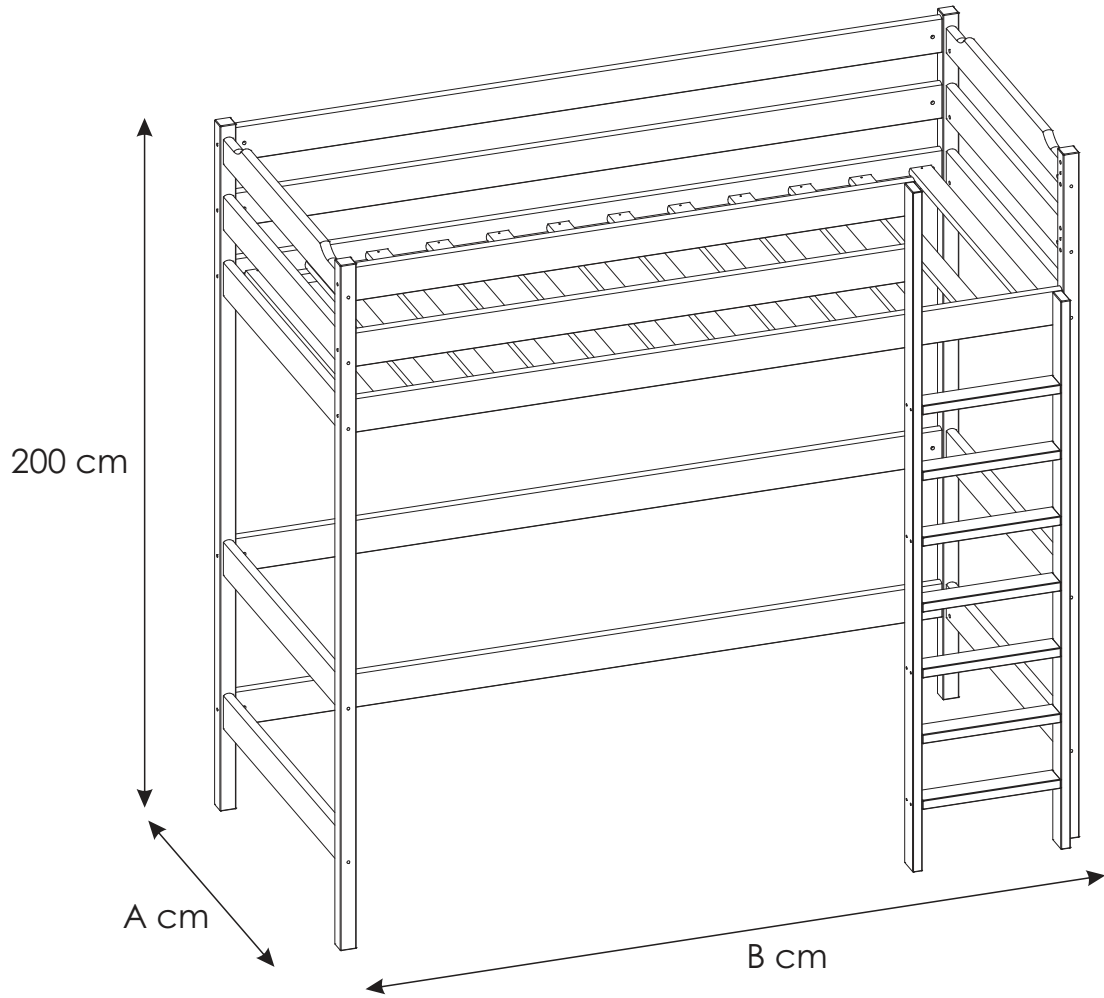
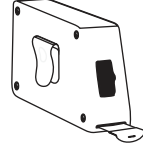
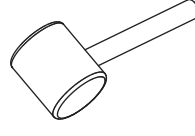
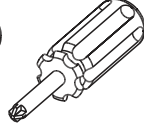
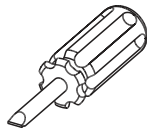
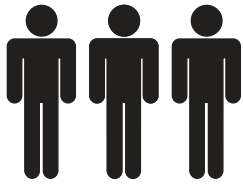
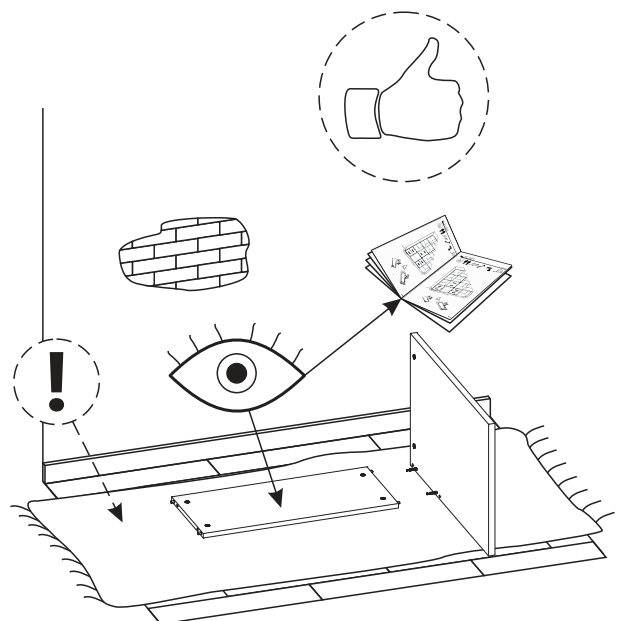
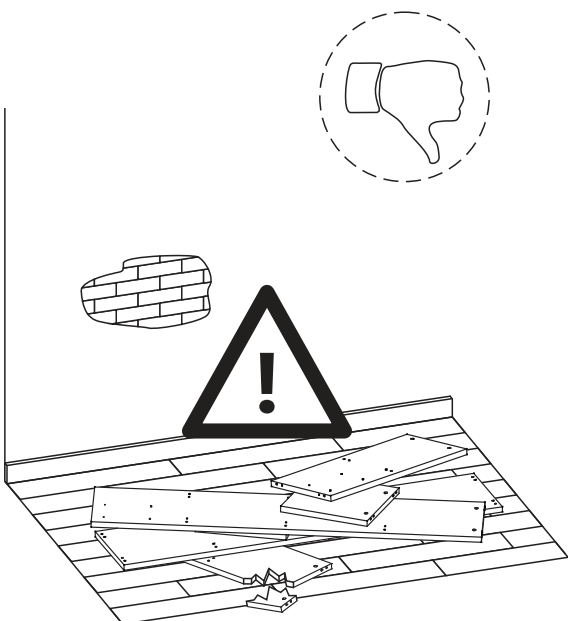
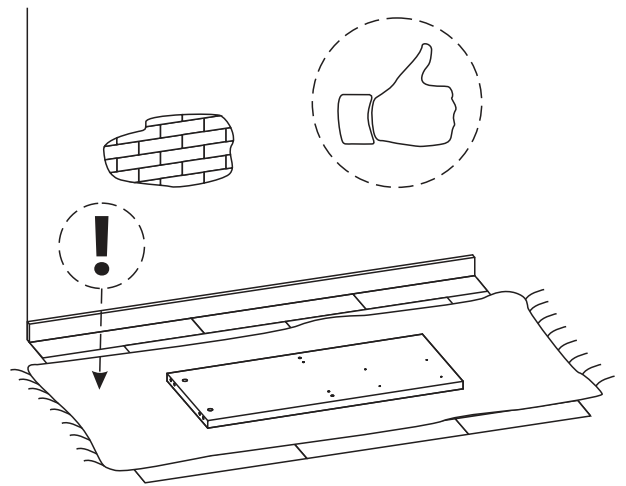
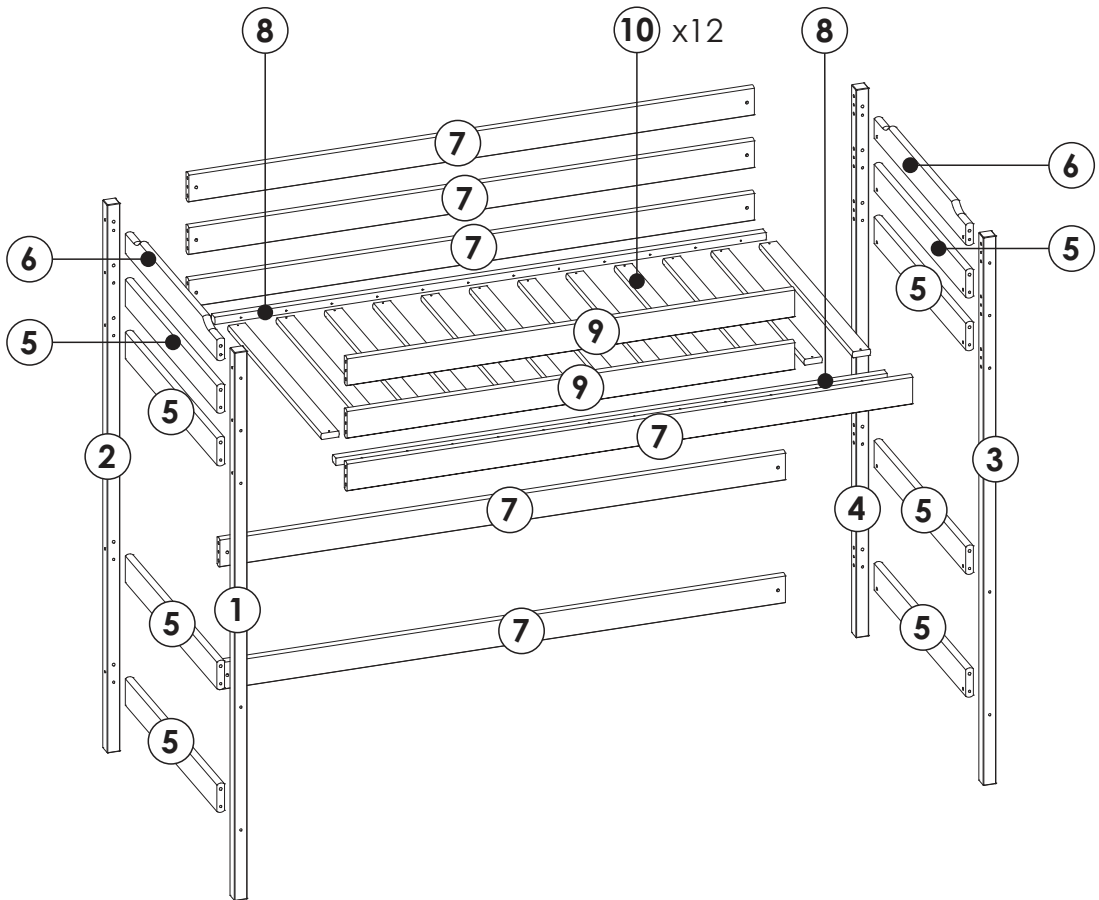
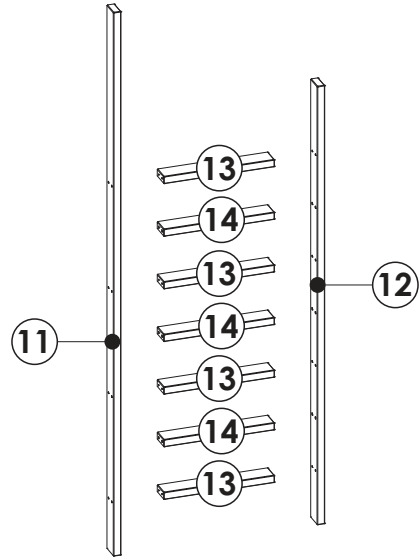
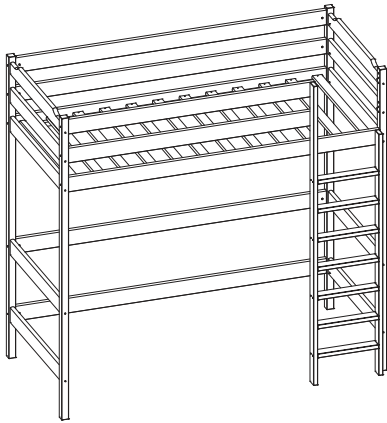


IGOR

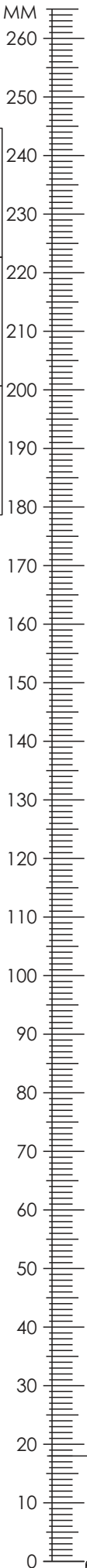


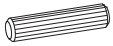
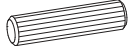

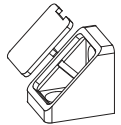








IGOR




IPL 1	2000	65	45	x1	INPL_01510
ITL 2	2000	65	45	x1	INTL_01490
IPP 3	2000	65	45	x1	INPP_01520
ITP 4	2000	65	45	x1	INTP_01500
DST 5	585, 685, 785, 885, 985	107	27	x8	DST_00120
STO 6	585, 685, 785, 885, 985	107	27	x2	DSTO_01480
DN 7	1190, 1390, 1590, 1690, 1790, 1890, 1990	107	27	x6	DN_00110
LS 8	1140, 1340, 1540, 1640, 1740, 1840, 1940	35	27	x2	LS_00160
DND 9	775, 975, 1175, 1275, 1375, 1475, 1575	75	27	x2	DNDDD_00140
DS 10	600, 700, 800, 900, 1000	65	22	x12	DS_00170
DDP 11	1984	65	27	x1	DDDP7S_00960
DDP 12	1600	65	27	x1	DDDP7S_00960
DSS 13	390	65	27	x4	DSS_00210
DSK 14	390	65	27	x3	DSK_00220



<p>A1 akc_0001</p>  <p>8 x 35 mm</p> <p style="text-align: right;">x12</p>	<p>A2 akc_0002</p>  <p>10 x 40 mm</p> <p style="text-align: right;">x48</p>	<p>K1 akc_0004</p>  <p>6,4 x 50 mm</p> <p style="text-align: right;">x16</p>
<p>K2 akc_0019</p>  <p>24 x 24 x 20 mm</p> <p style="text-align: right;">x4</p>	<p>M akc_0005</p>  <p style="text-align: right;">x1</p>	<p>N1 akc_0006</p>  <p>6 x 80 mm</p> <p style="text-align: right;">x34</p>
<p>S1 akc_0008</p>  <p>10 x 16 mm</p> <p style="text-align: right;">x34</p>	<p>W1 akc_0009</p>  <p>3,5 x 40 mm</p> <p style="text-align: right;">x24</p>	<p>W2 akc_0010</p>  <p>4 x 25 mm</p> <p style="text-align: right;">x8</p>
<p>W4 akc_0012</p>  <p>4 x 60 mm</p> <p style="text-align: right;">x4</p>		

----- **OPTION** -----


W3
akc_0011



4 x 50 mm

x24


W3
akc_0011



4 x 50 mm

x22

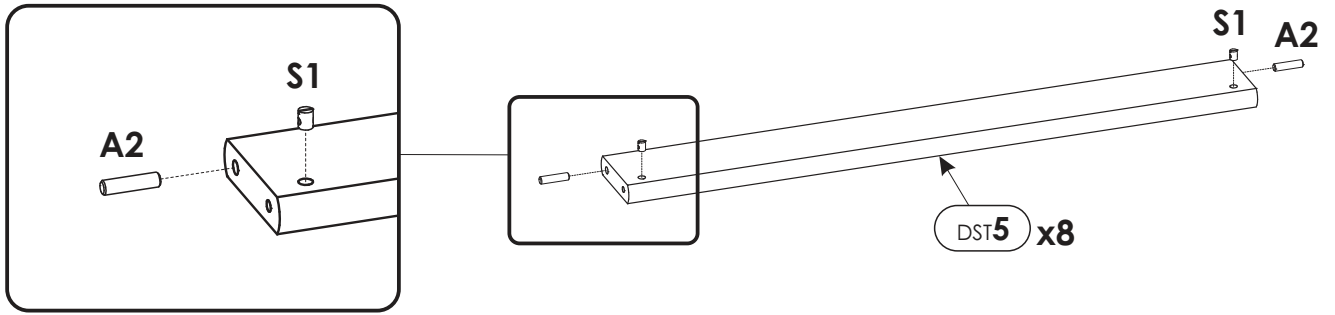
W3
akc_0011



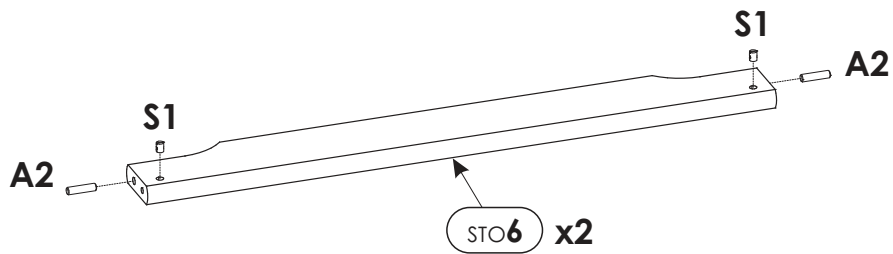
4 x 50 mm

x20

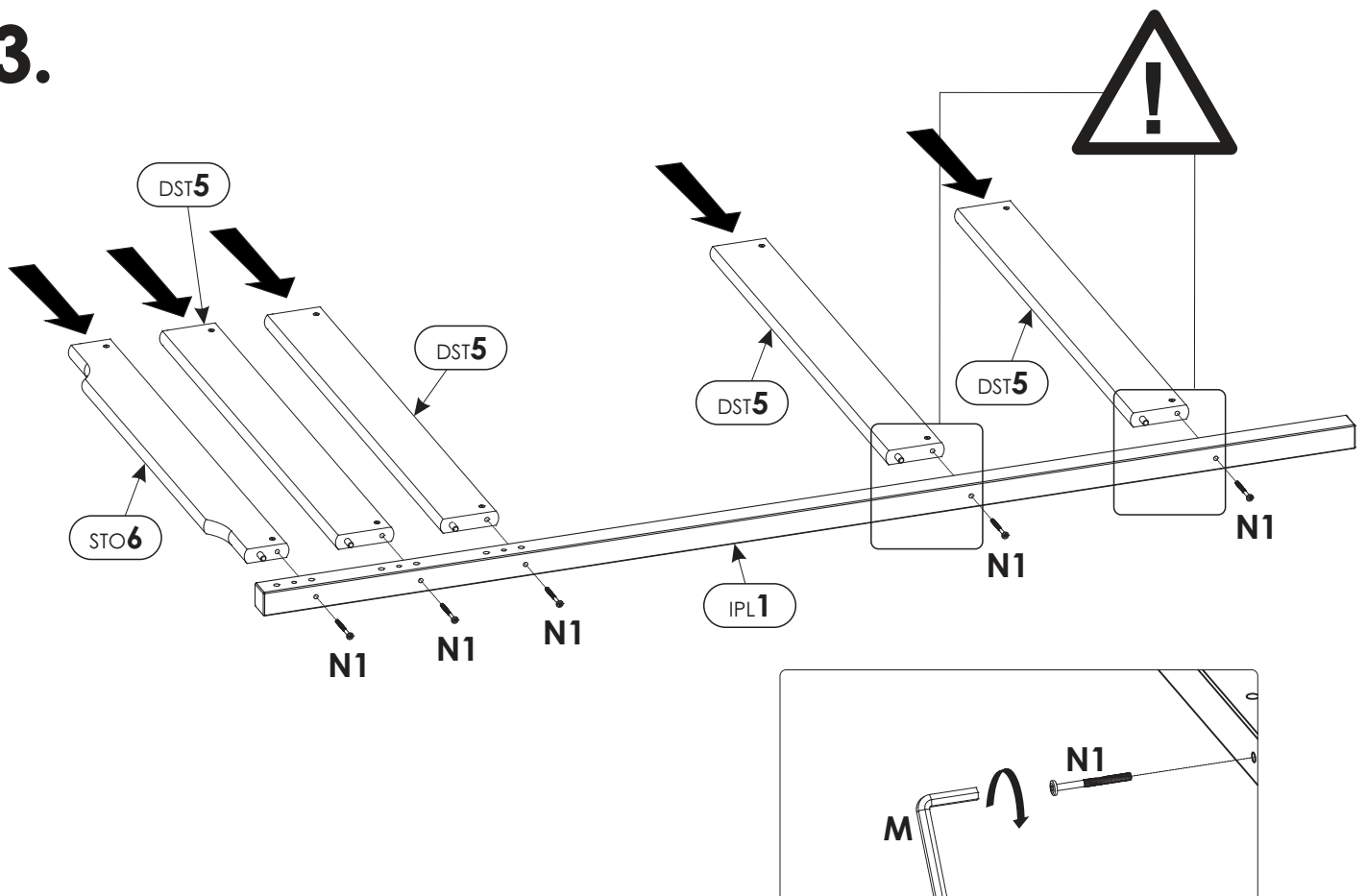
1.



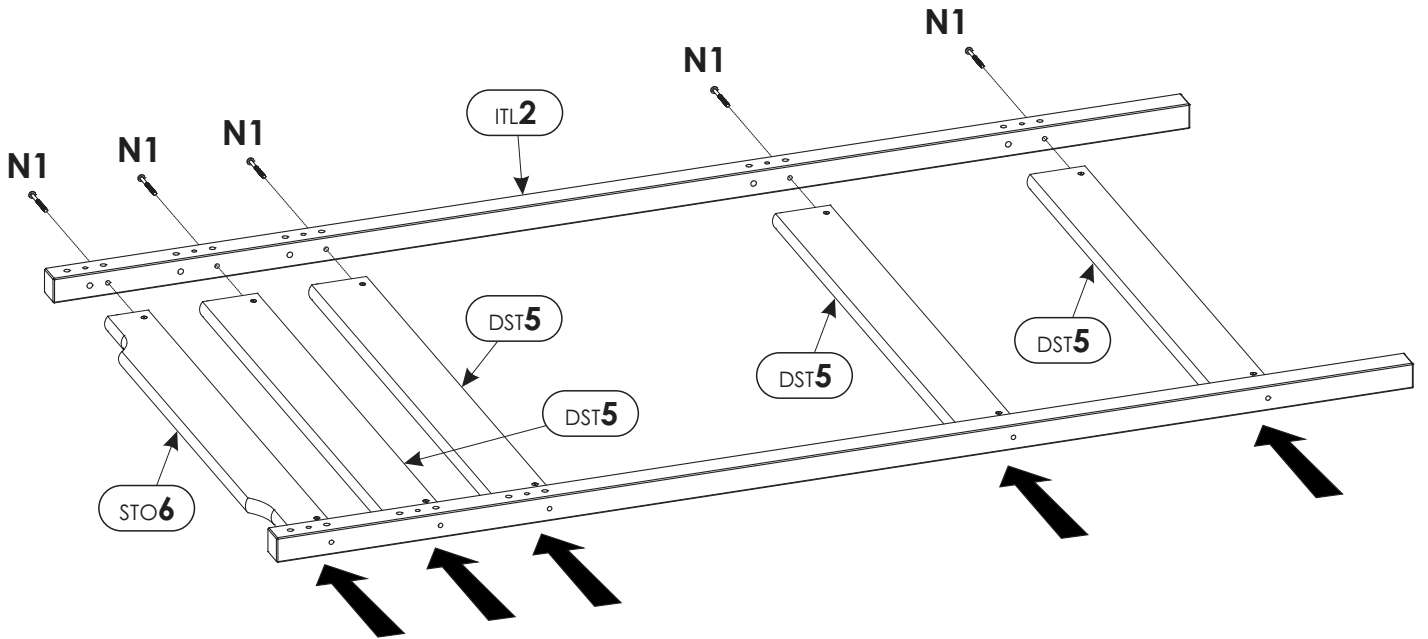
2.



3.

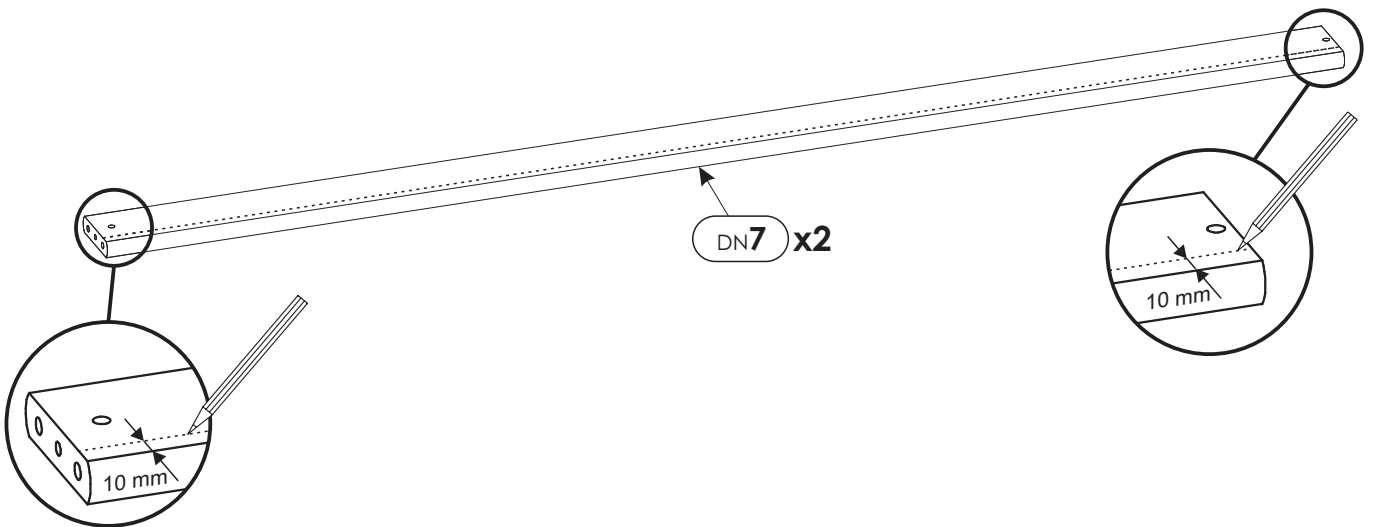


4.

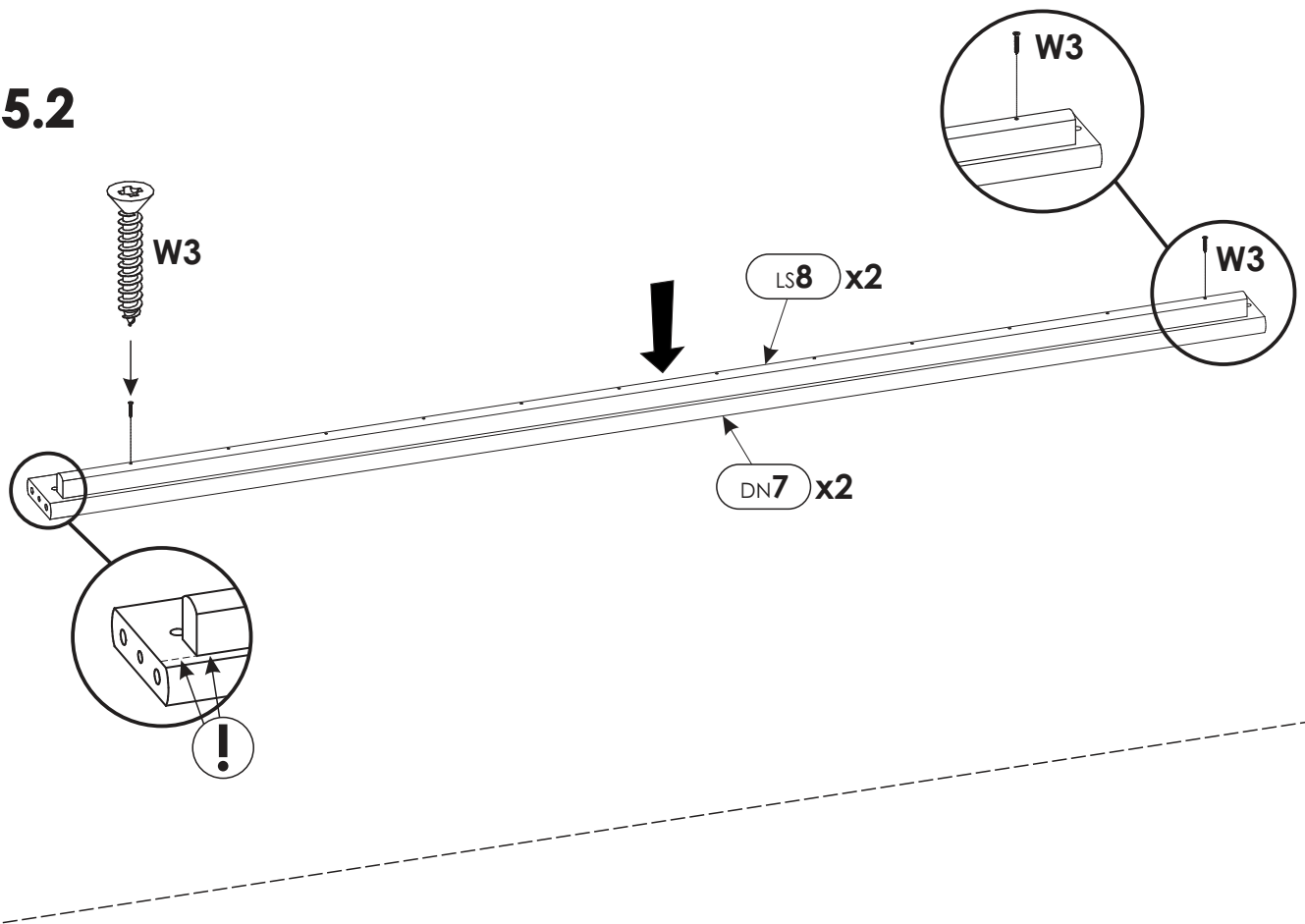


5.

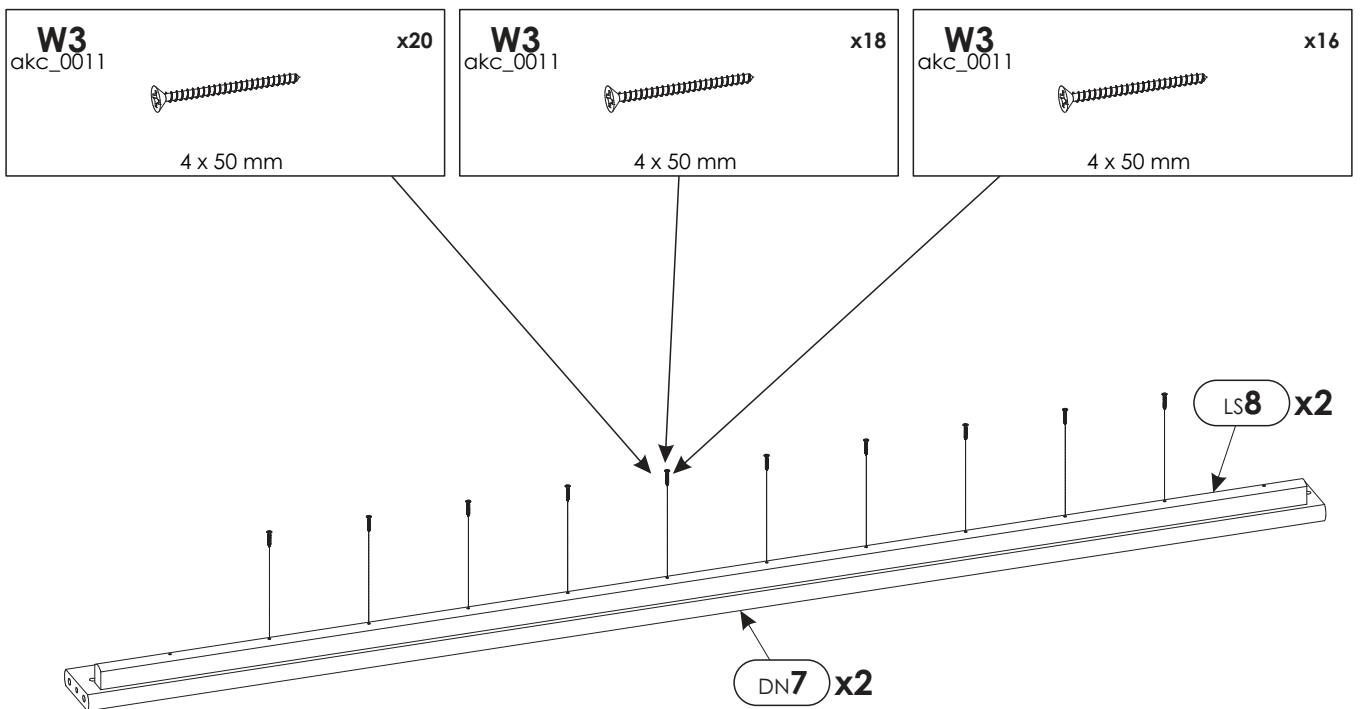
5.1



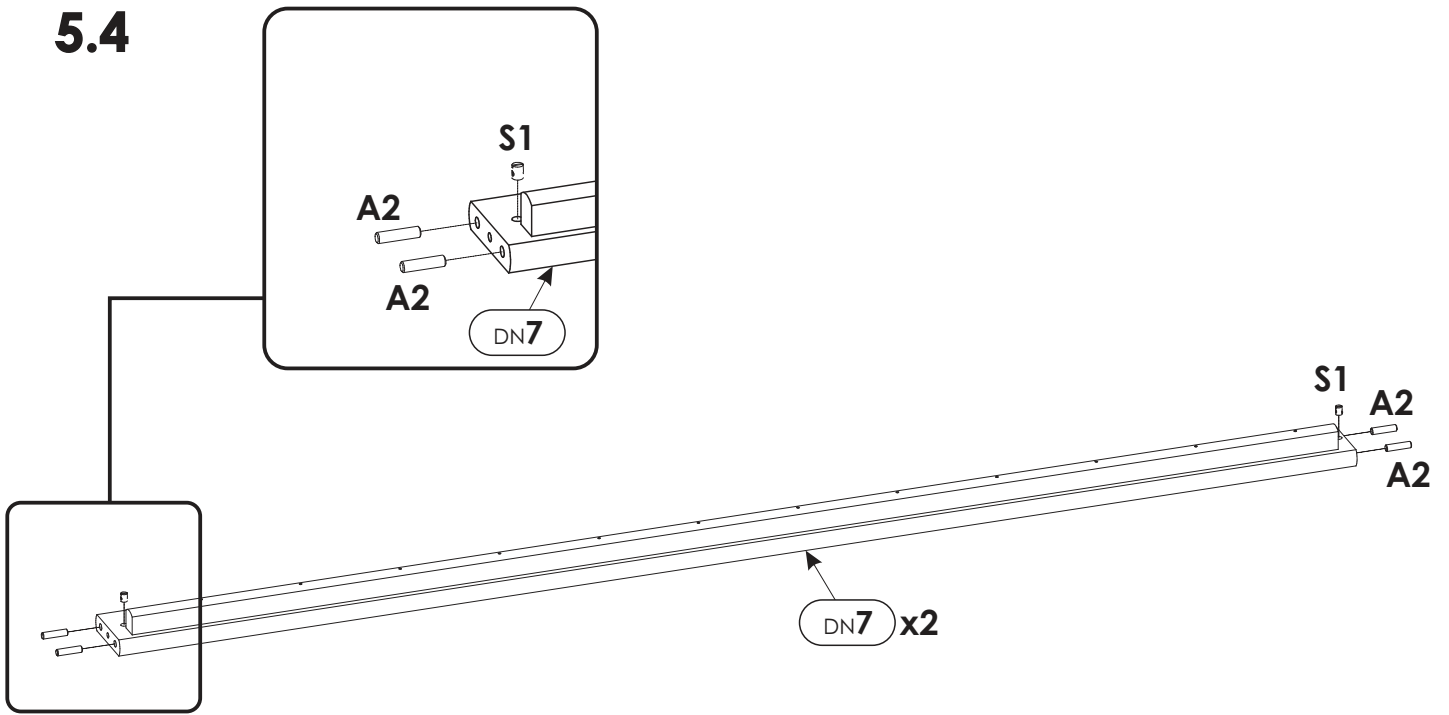
5.2



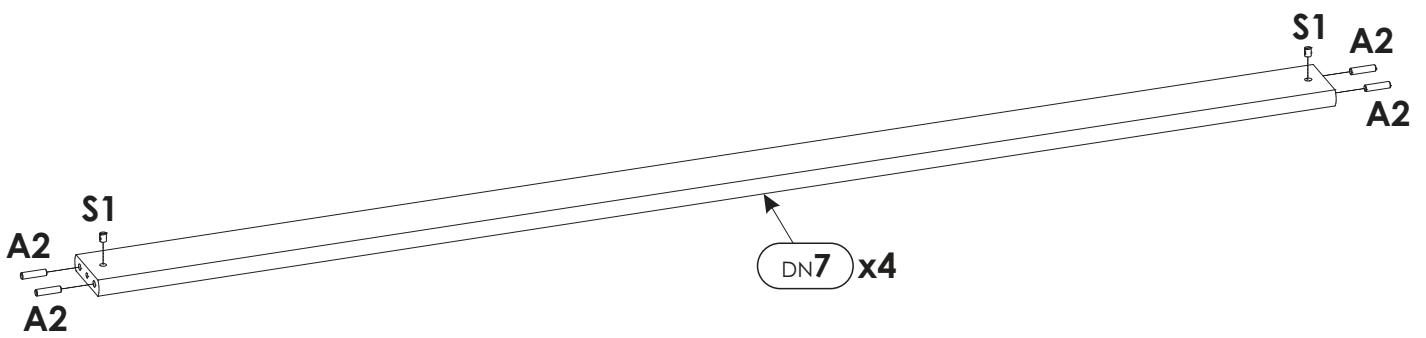
5.3



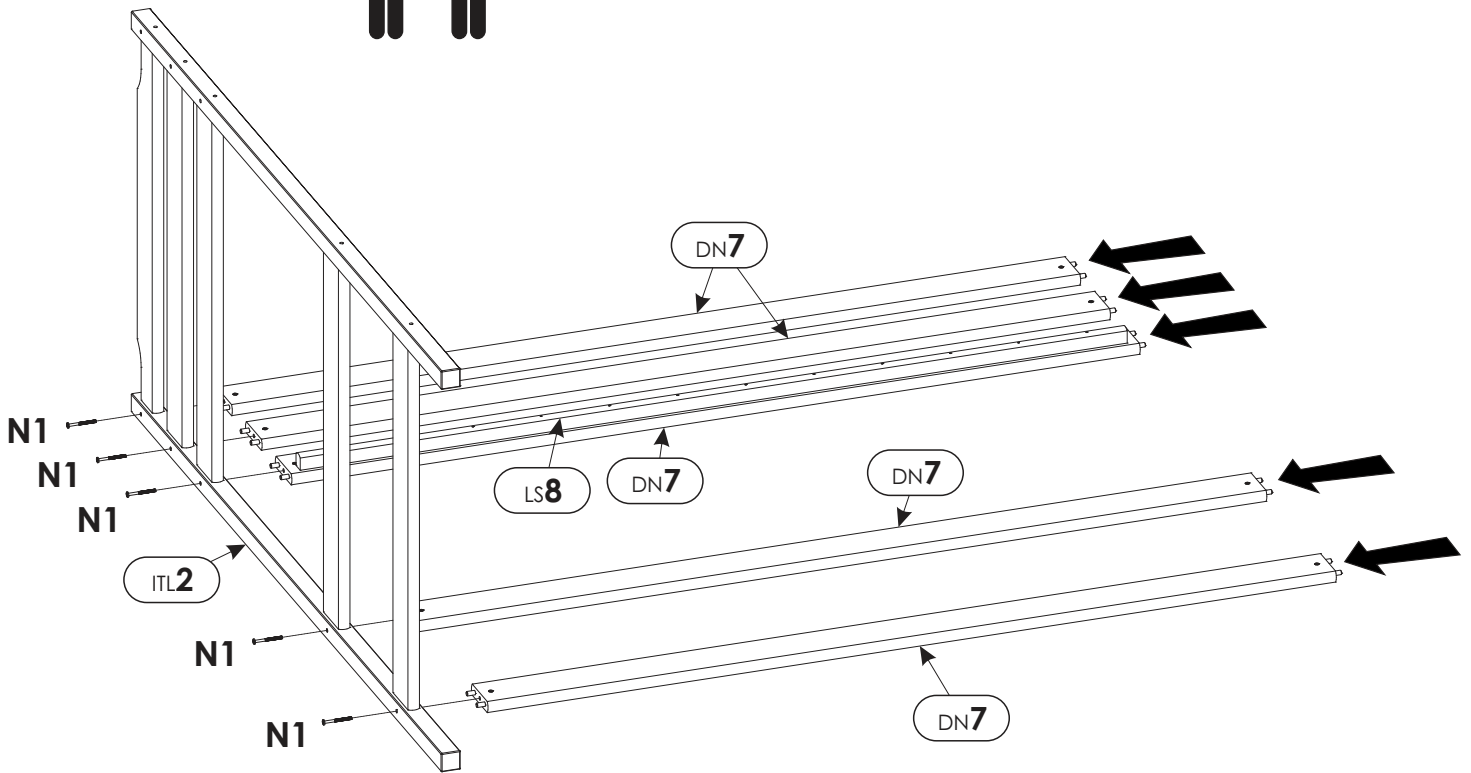
5.4



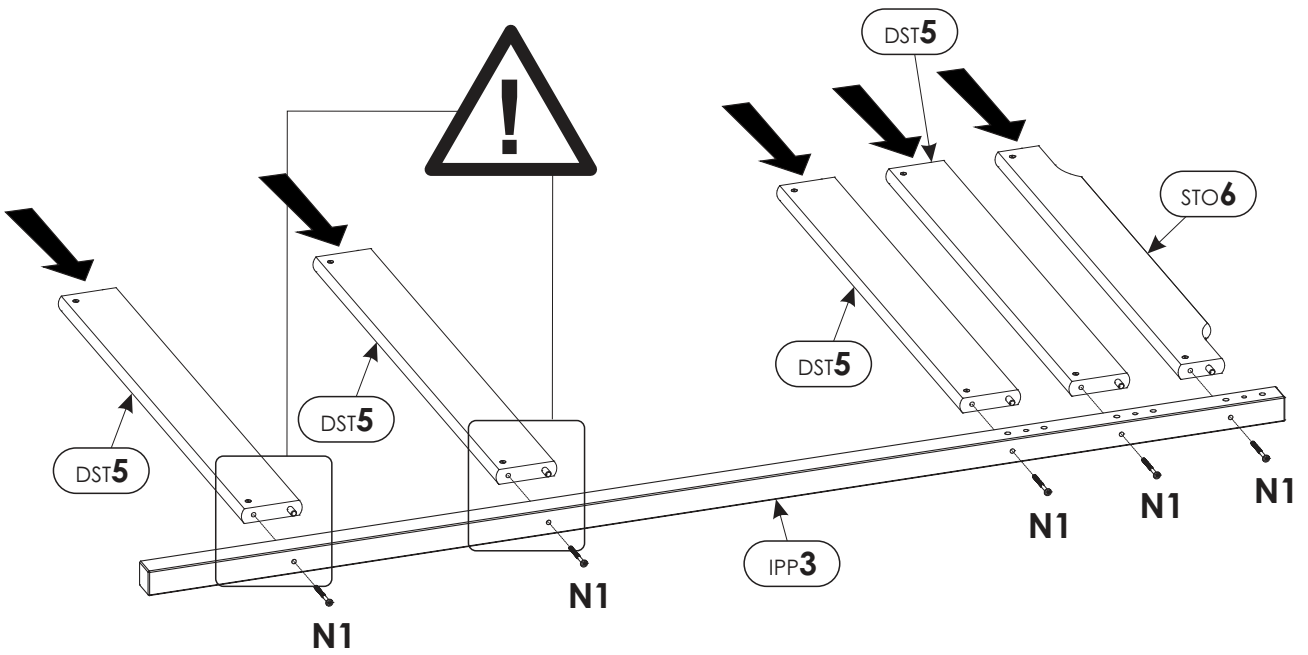
6.



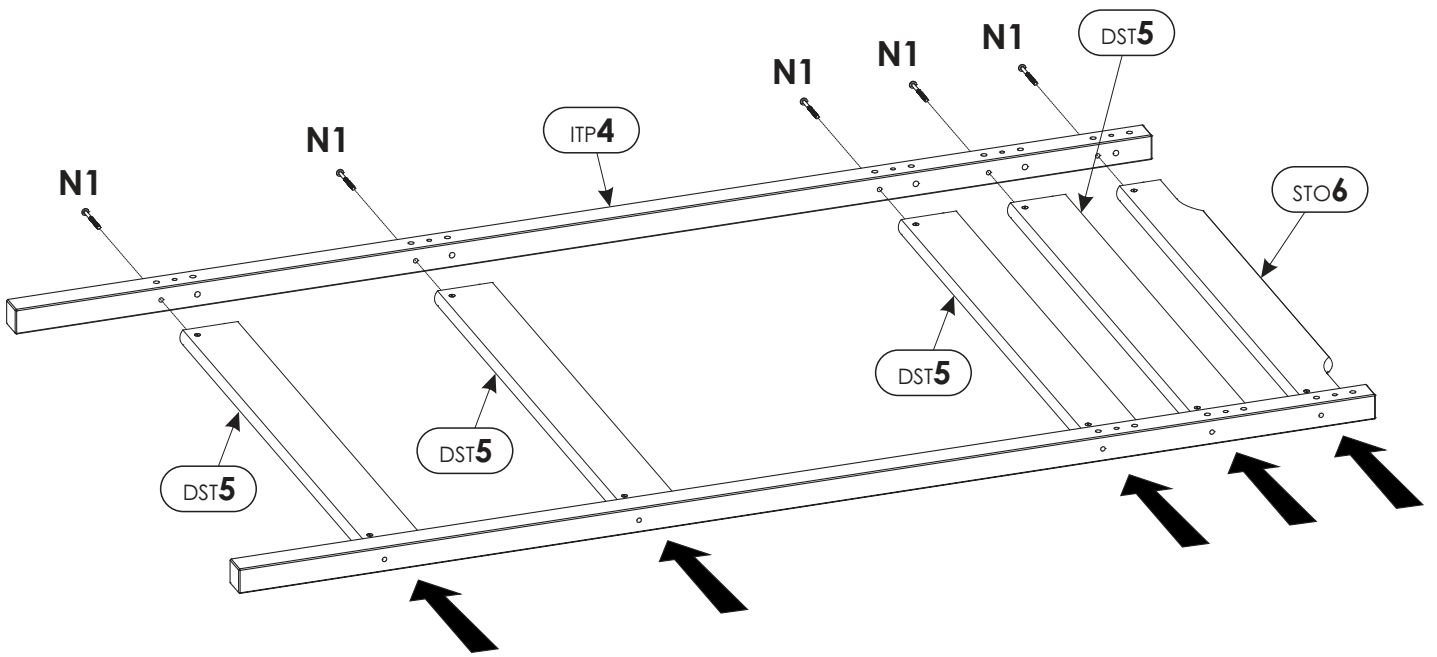
7.



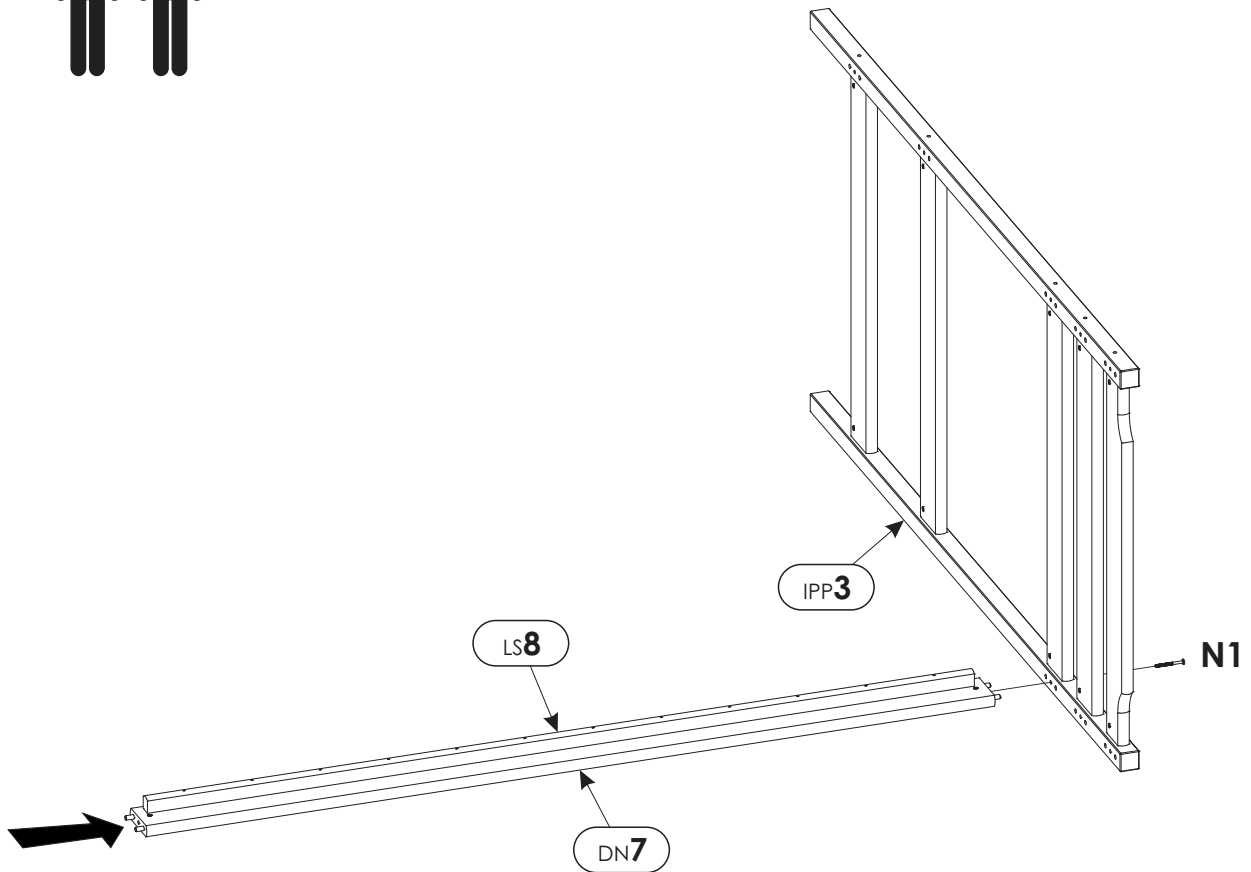
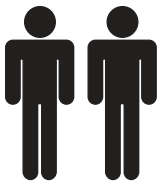
8.



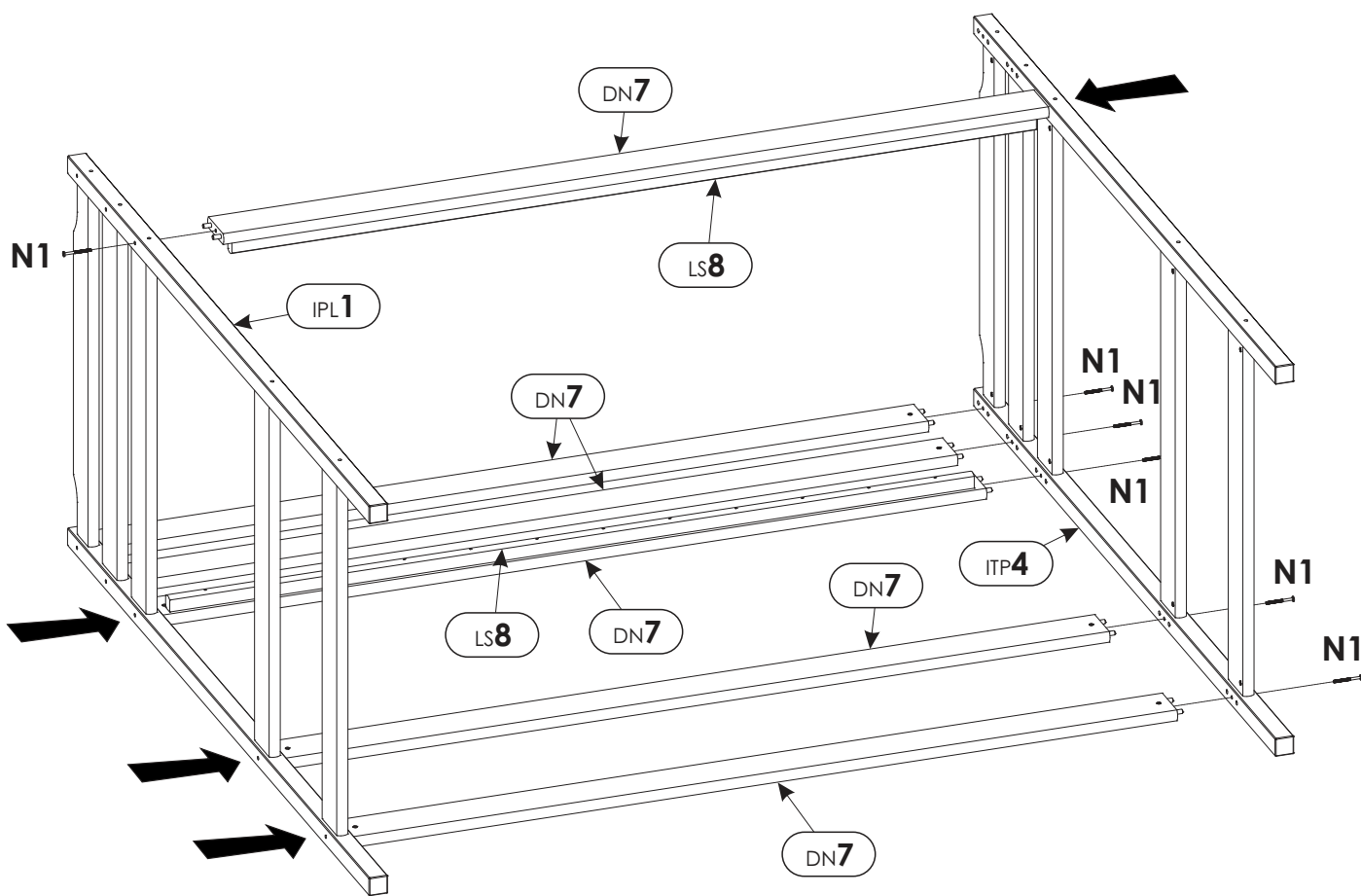
9.



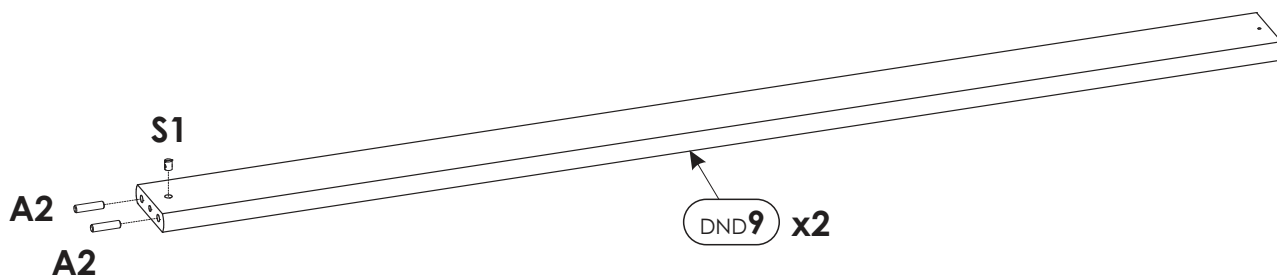
10.



11.

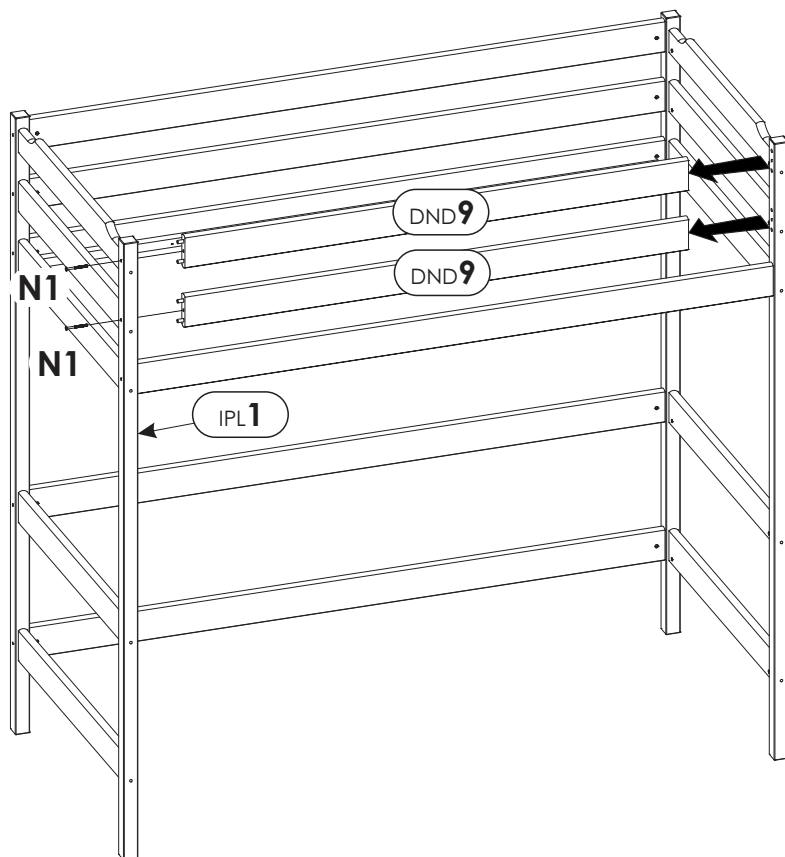
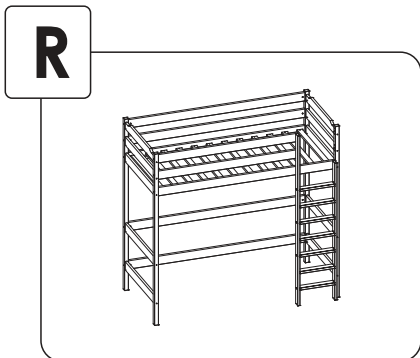


12.

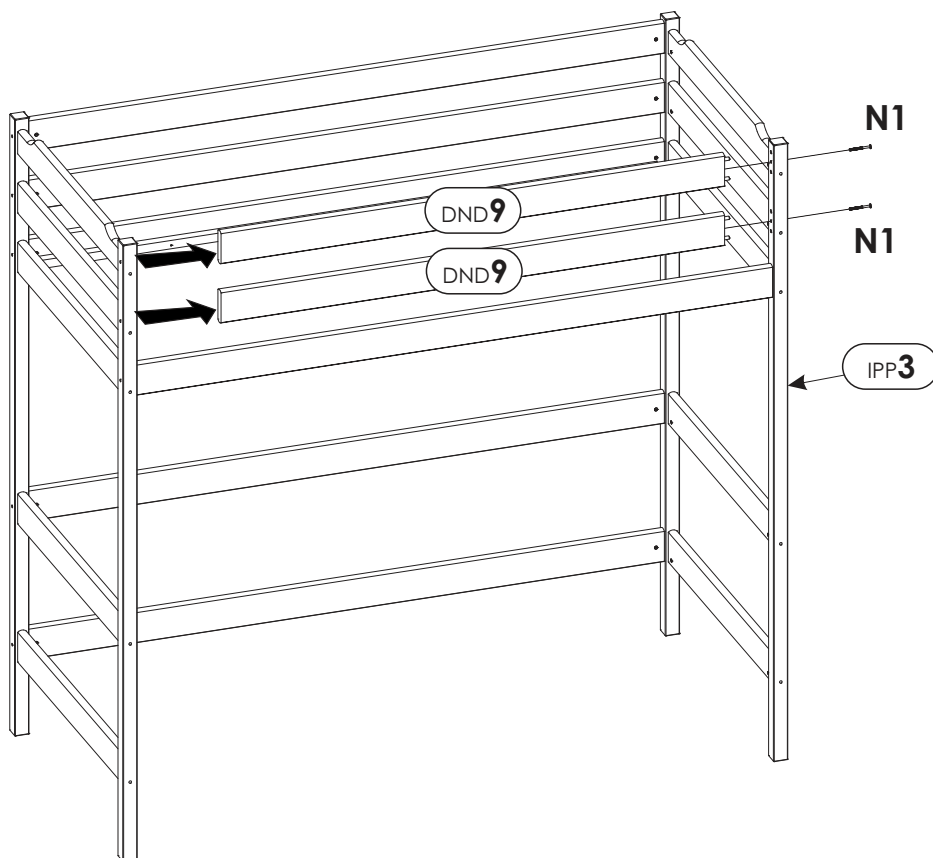
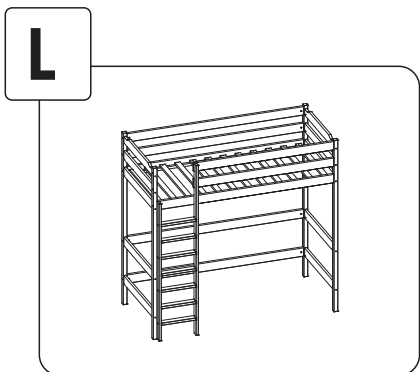


13.

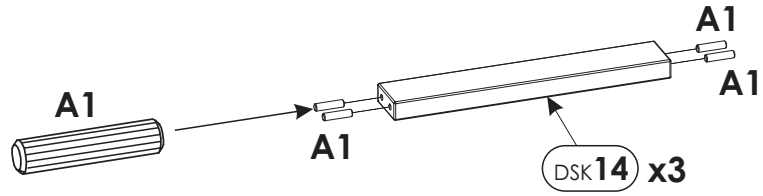
13.1



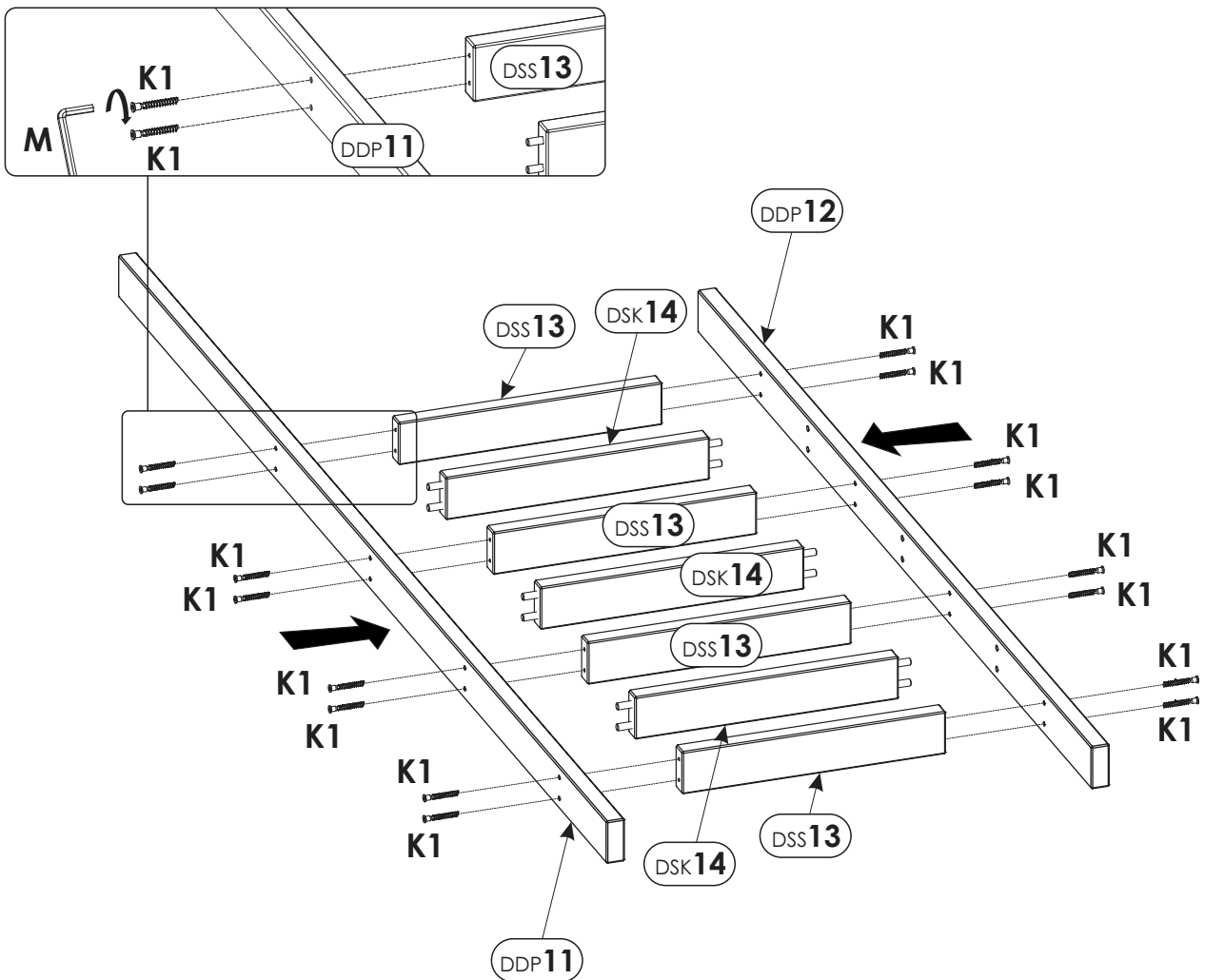
13.2



14.



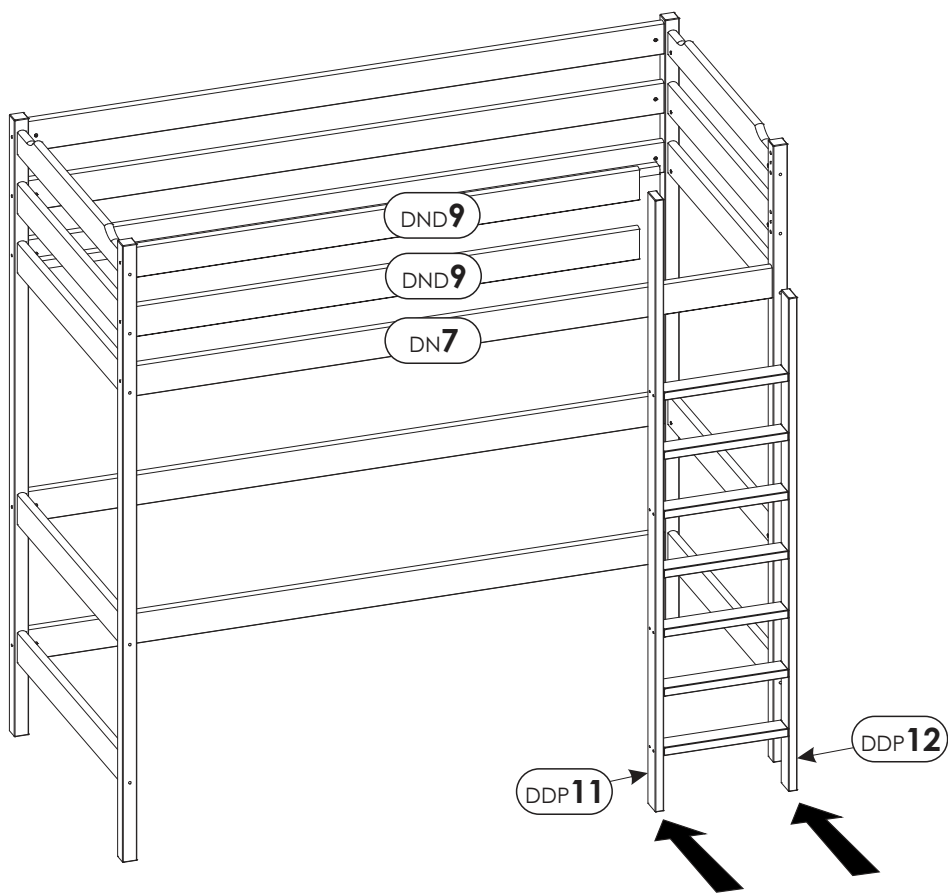
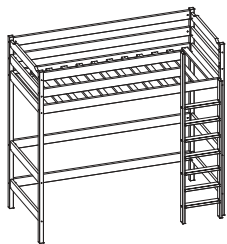
15.



16.

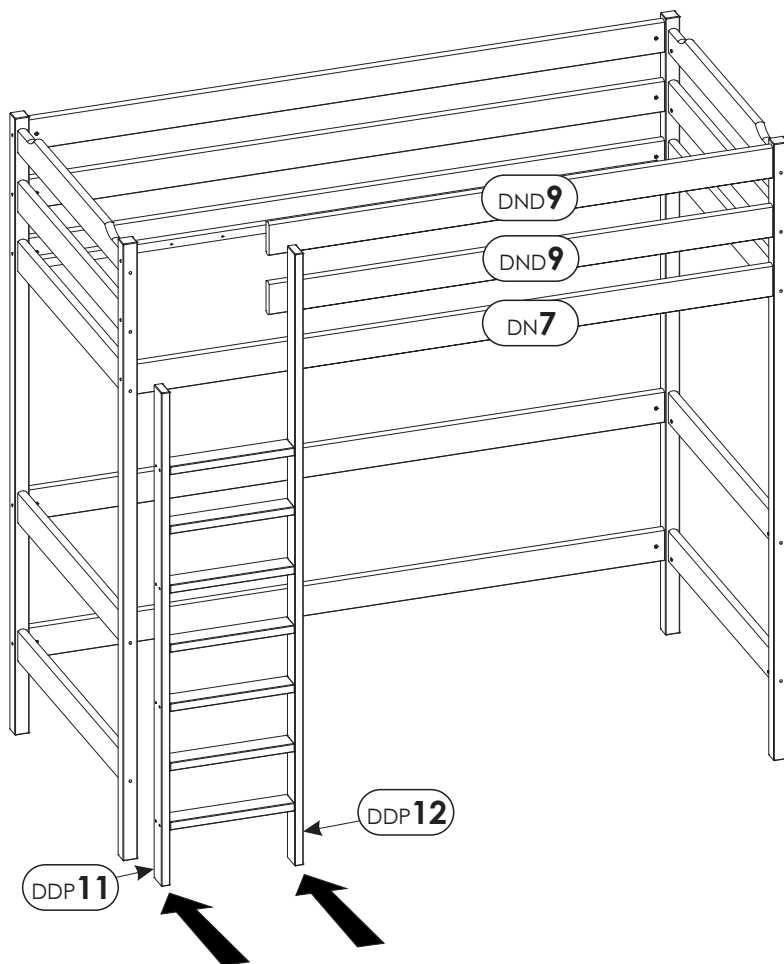
16.1

R



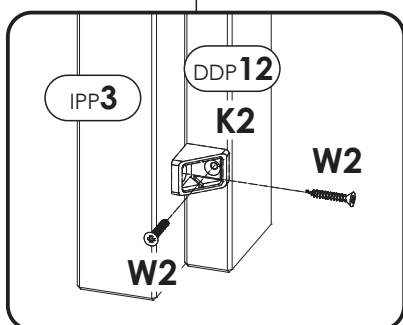
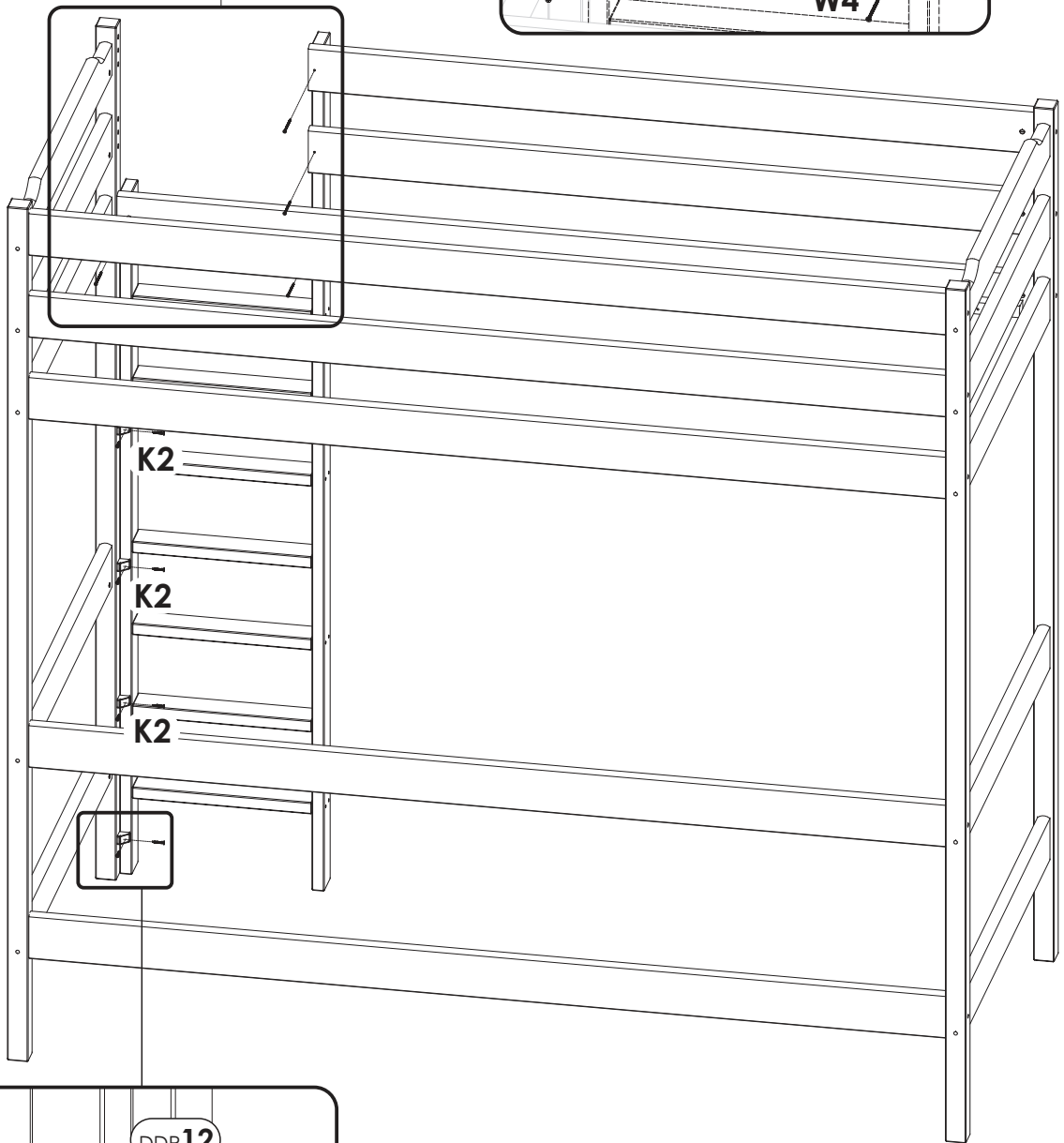
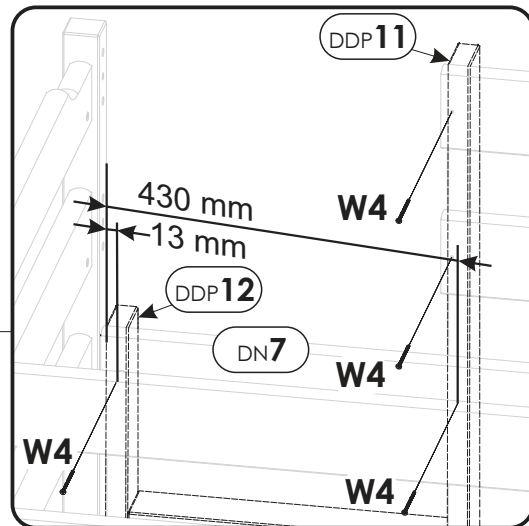
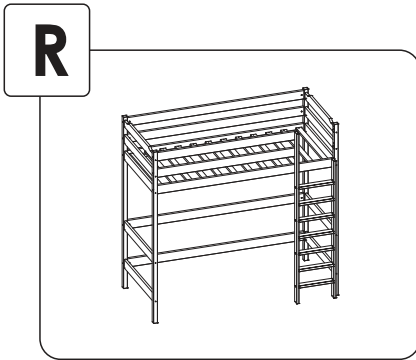
16.2

L



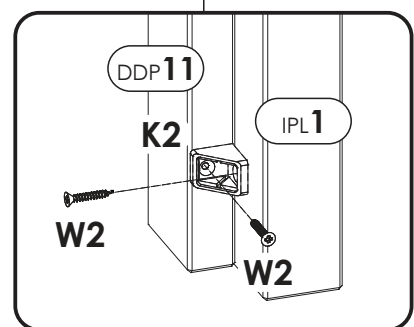
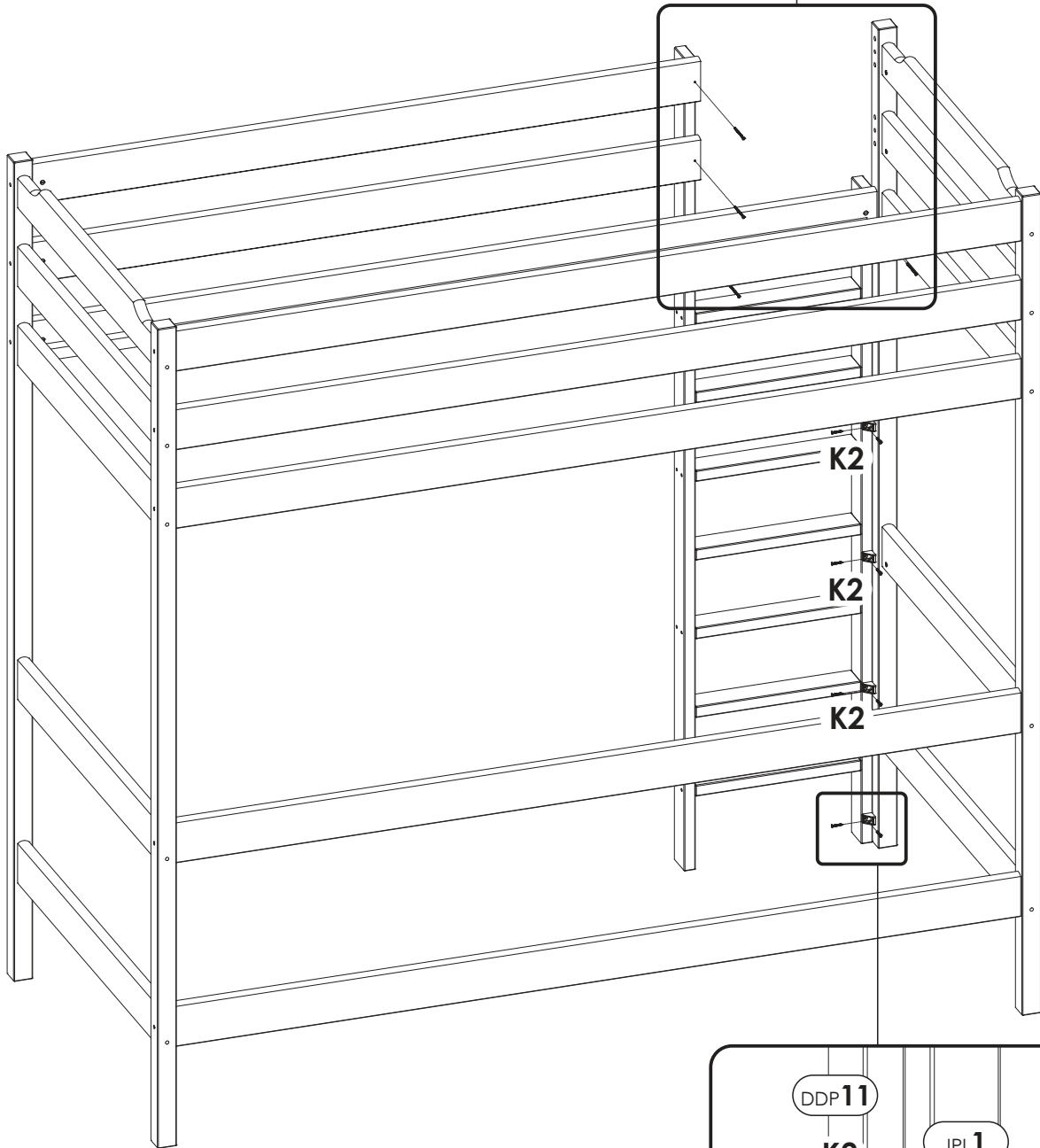
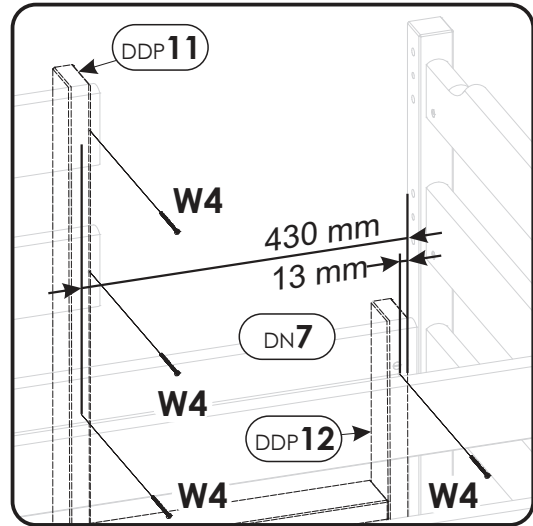
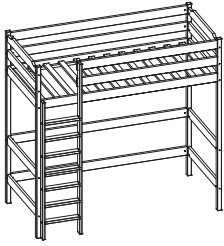
17.

17.1



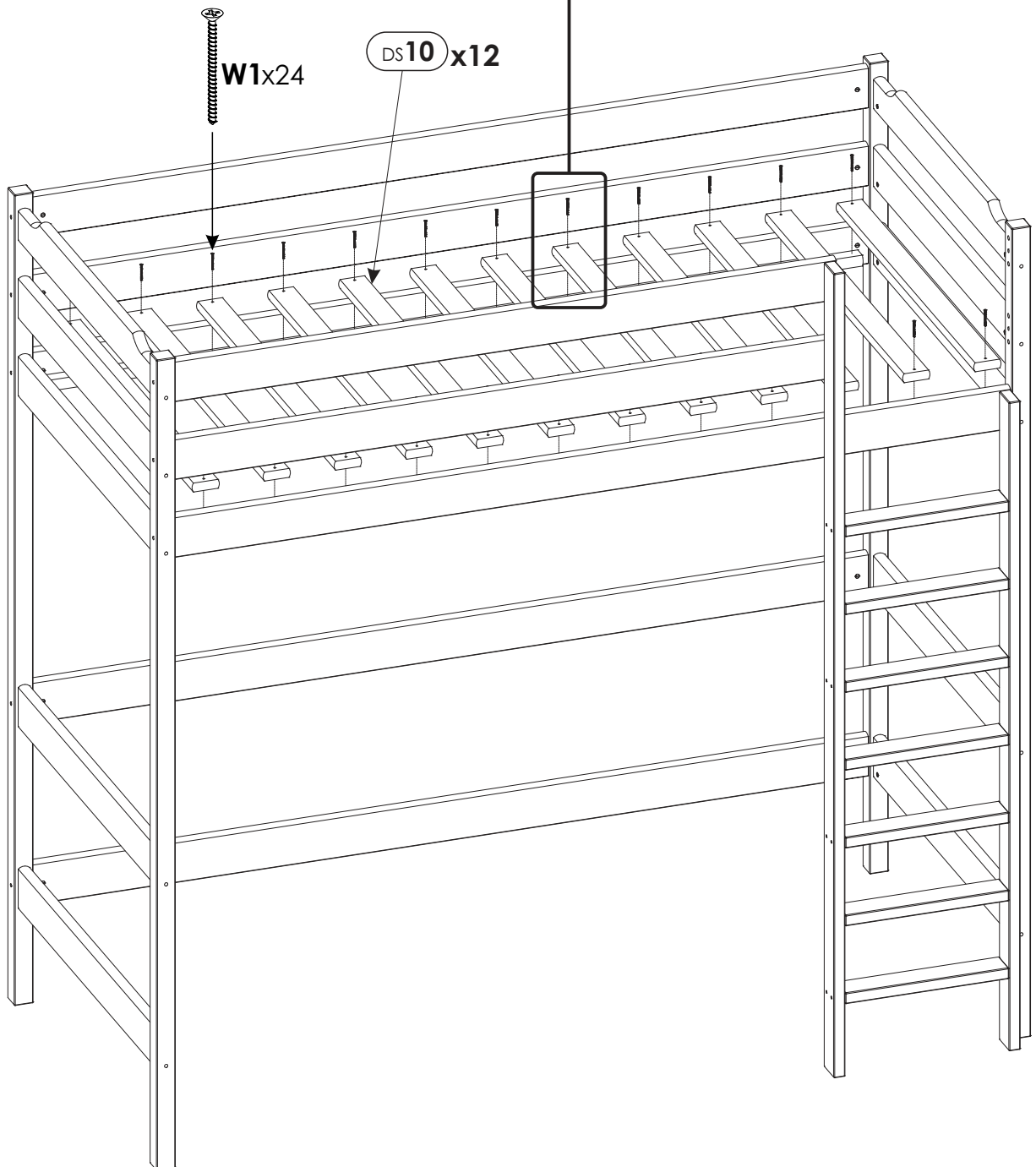
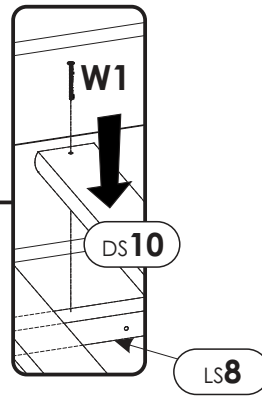
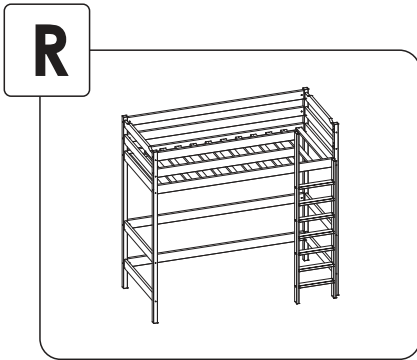
17.2

L



18.

18.1



18.2

L

