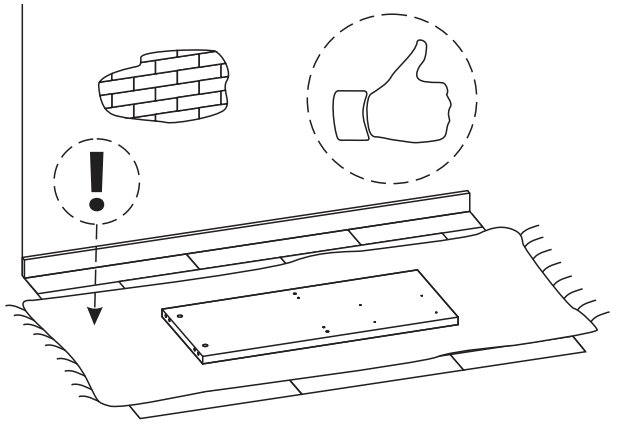
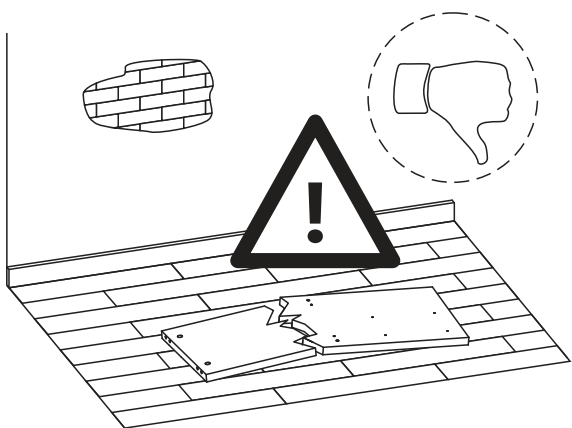
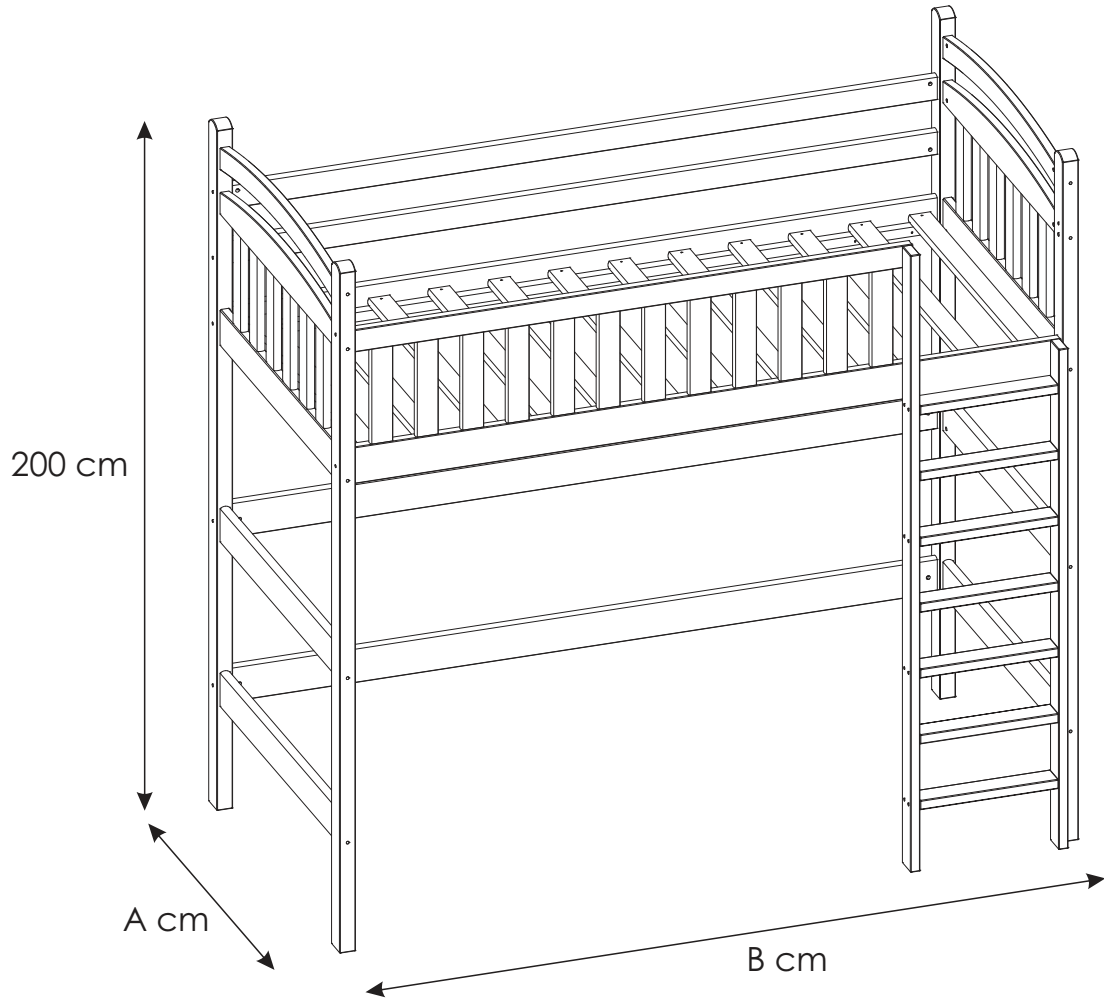
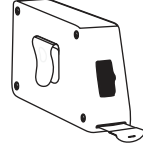
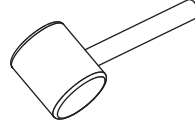
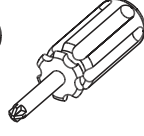
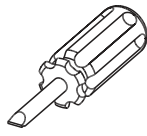
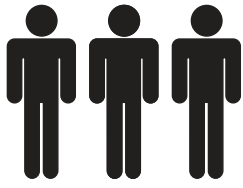
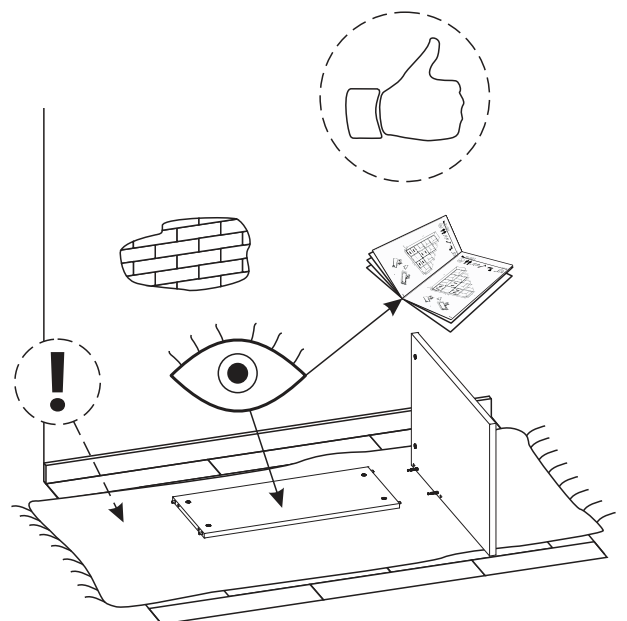
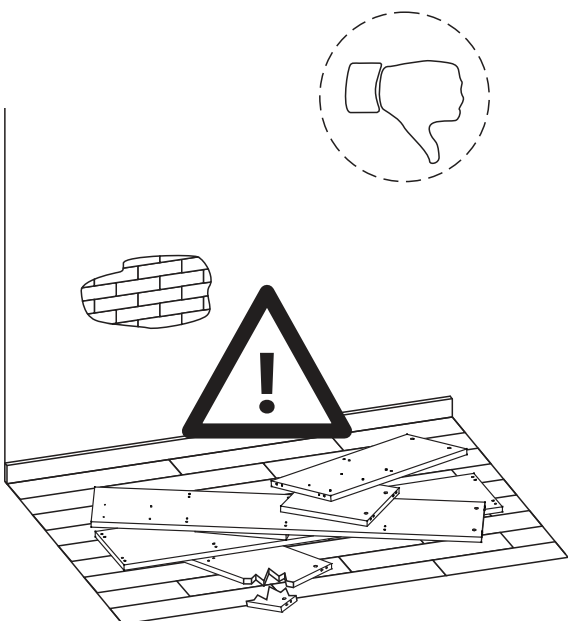
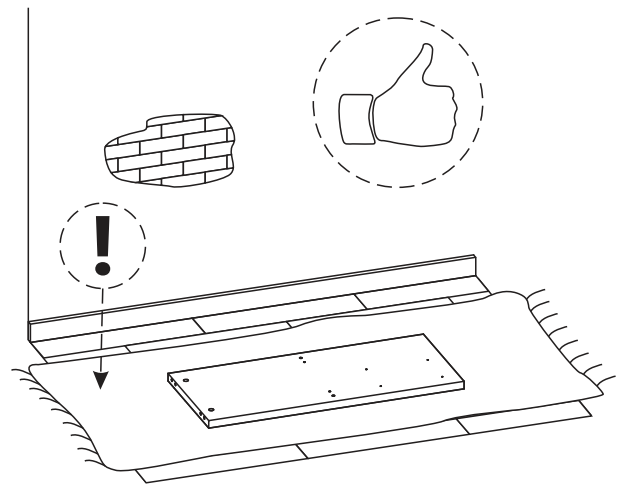
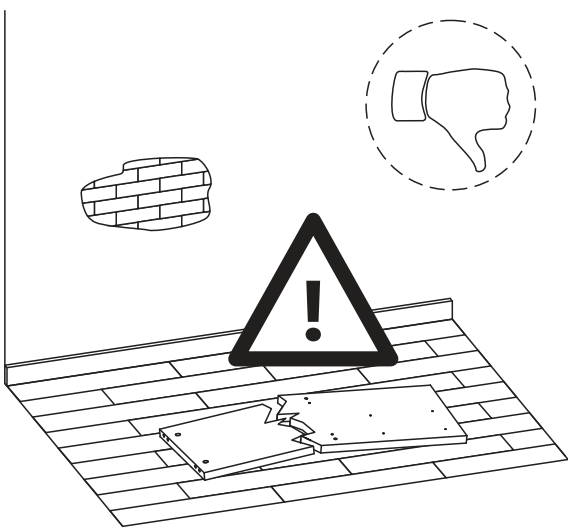
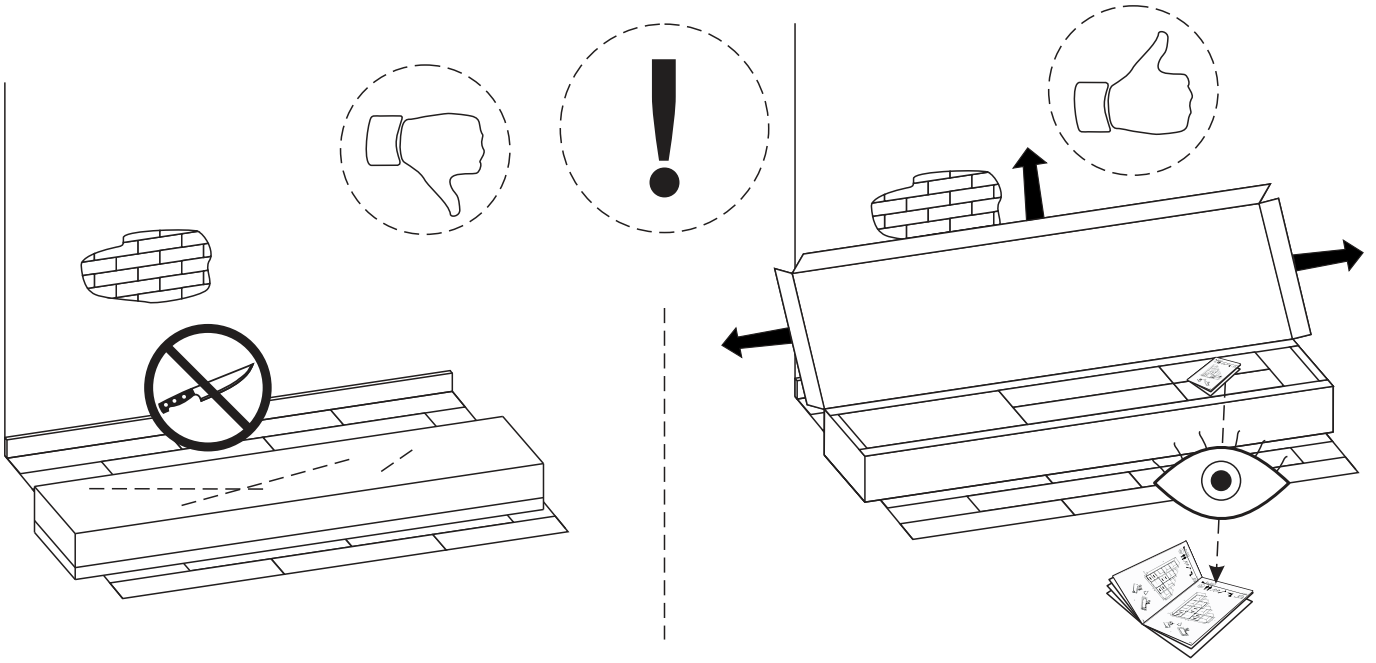
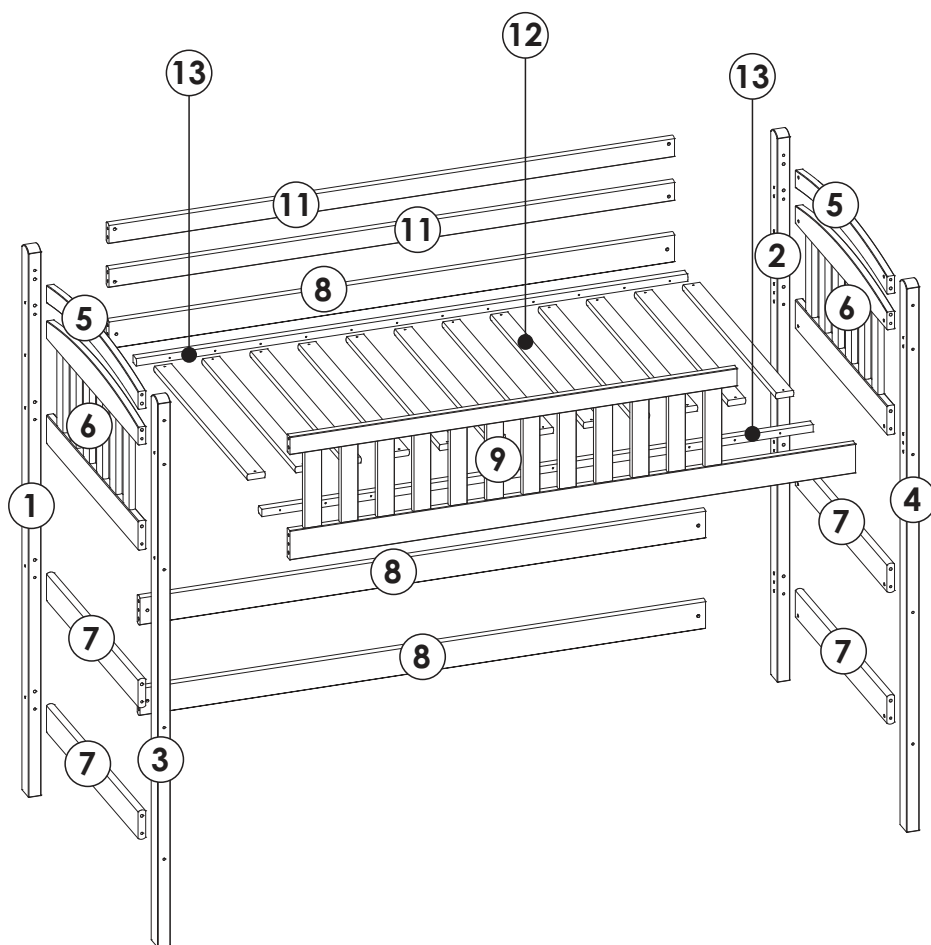
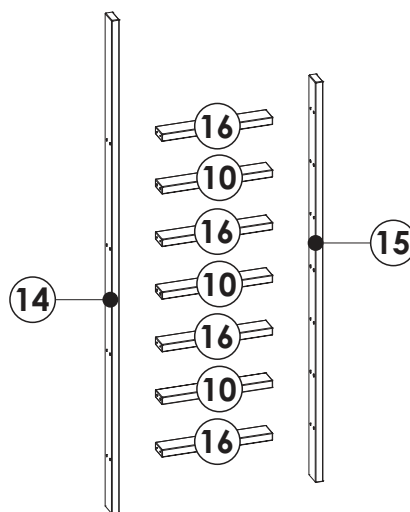
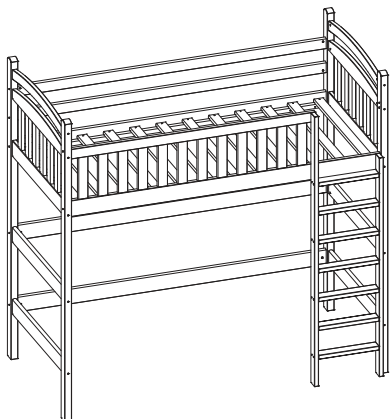


# DOMINIK





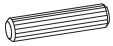
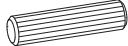

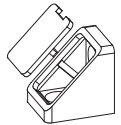


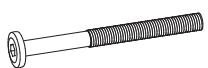



# DOMINIK




# DOMINIK


|               |                                    |     |    |    |                                      |
|---------------|------------------------------------|-----|----|----|--------------------------------------|
| DTL <b>1</b>  | 2000                               | 65  | 45 | x1 | DN TL_00830                          |
| DTP <b>2</b>  | 2000                               | 65  | 45 | x1 | DN TP_00840                          |
| DPL <b>3</b>  | 2000                               | 65  | 45 | x1 | DN PL_00810                          |
| DPP <b>4</b>  | 2000                               | 65  | 45 | x1 | DN PP_00820                          |
| DB <b>5</b>   | 685, 785, 885                      | 107 | 27 | x2 | DB_00600                             |
| PS <b>6</b>   | 685, 785, 885                      | 491 | 27 | x2 | PS_00470<br>DP_00480<br>DB_00610     |
| DST <b>7</b>  | 685, 785, 885                      | 107 | 27 | x4 | DST_00120                            |
| DN <b>8</b>   | 1390, 1590, 1690, 1790, 1890, 1990 | 107 | 27 | x3 | DN_00110                             |
| PSC <b>9</b>  | 1390, 1590, 1690, 1790, 1890, 1990 | 449 | 27 | x1 | PS_00470<br>DPDD_00640<br>DPDC_00660 |
| DSK <b>10</b> | 390                                | 65  | 27 | x3 | DSK_00220                            |
| DW <b>11</b>  | 1390, 1590, 1690, 1790, 1890, 1990 | 75  | 27 | x2 | DW75_00930                           |
| LS <b>13</b>  | 1340, 1540, 1640, 1740, 1840, 1940 | 35  | 27 | x2 | LS_00160                             |
| DPS <b>14</b> | 1800                               | 65  | 27 | x1 | DDDP7S_00960                         |
| DPS <b>15</b> | 1460                               | 65  | 27 | x1 | DDDP7S_00960                         |
| DSS <b>16</b> | 390                                | 65  | 27 | x4 | DSS_00210                            |

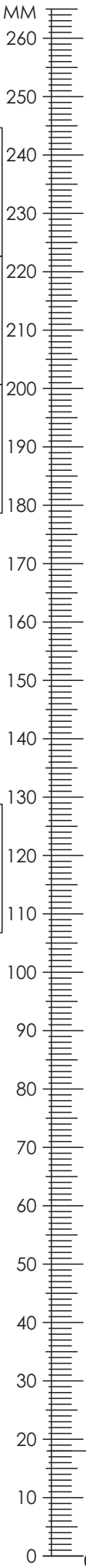
# DOMINIK

|  |  |   |
|--|--|---|
| <p><b>A1</b><br/>akc_0001</p>  <p>8 x 35 mm</p> <p style="text-align: right;"><b>x12</b></p>      | <p><b>A2</b><br/>akc_0002</p>  <p>10 x 40 mm</p> <p style="text-align: right;"><b>x41</b></p> | <p><b>K1</b><br/>akc_0004</p>  <p>6,4 x 50 mm</p> <p style="text-align: right;"><b>x16</b></p> |
| <p><b>K2</b><br/>akc_0019</p>  <p>24 x 24 x 20 mm</p> <p style="text-align: right;"><b>x4</b></p> | <p><b>M</b><br/>akc_0005</p>  <p style="text-align: right;"><b>x1</b></p>                     | <p><b>N1</b><br/>akc_0006</p>  <p>6 x 80 mm</p> <p style="text-align: right;"><b>x13</b></p>   |
| <p><b>N2</b><br/>akc_0007</p>  <p>6 x 100 mm</p> <p style="text-align: right;"><b>x20</b></p>     | <p><b>S1</b><br/>akc_0008</p>  <p>10 x 16 mm</p> <p style="text-align: right;"><b>x33</b></p> | <p><b>W2</b><br/>akc_0010</p>  <p>4 x 25 mm</p> <p style="text-align: right;"><b>x8</b></p>    |
| <p><b>W4</b><br/>akc_0012</p>  <p>4 x 60 mm</p> <p style="text-align: right;"><b>x3</b></p>       |  |   |

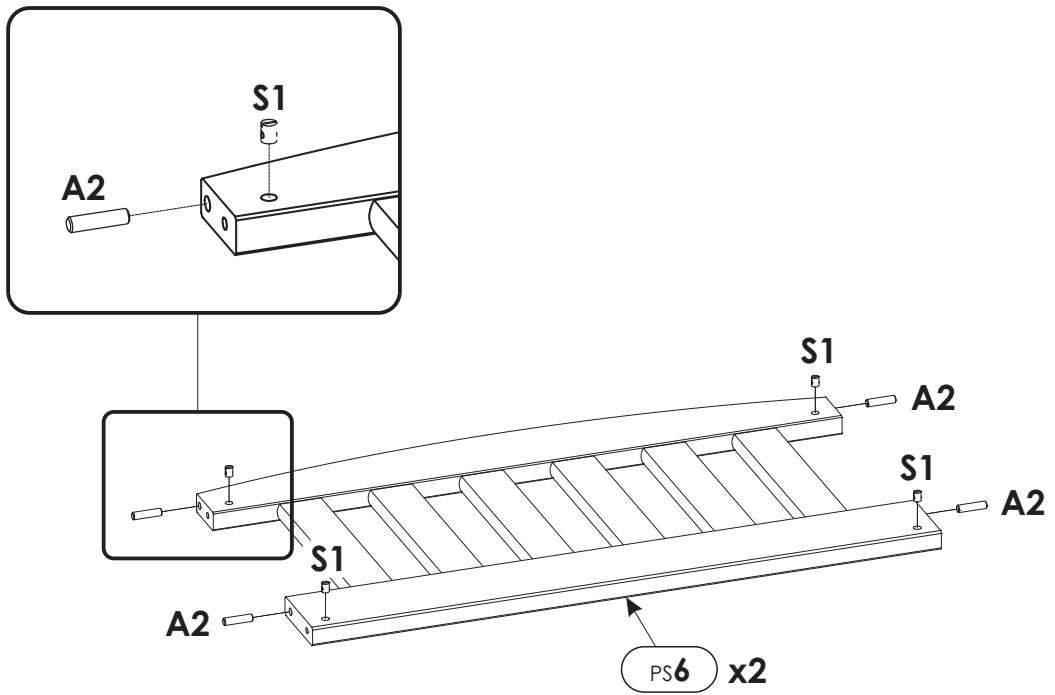
----- OPTION -----

|   |
|---|
| <p><b>W1</b><br/>akc_0009</p>  <p>3,5 x 40 mm</p> <p style="text-align: right;"><b>20 &lt; x &lt; 30</b></p> |
|---|

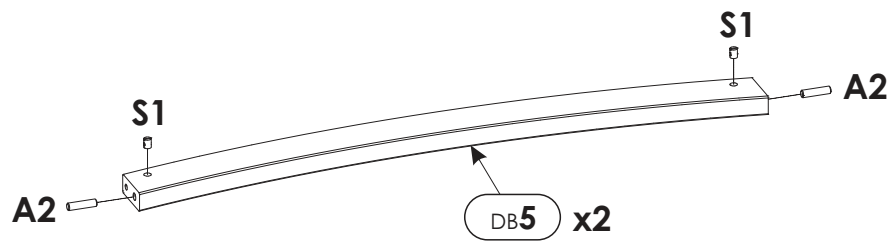
|   |
|---|
| <p><b>W3</b><br/>akc_0011</p>  <p>4 x 50 mm</p> <p style="text-align: right;"><b>20 &lt; x &lt; 24</b></p> |
|---|



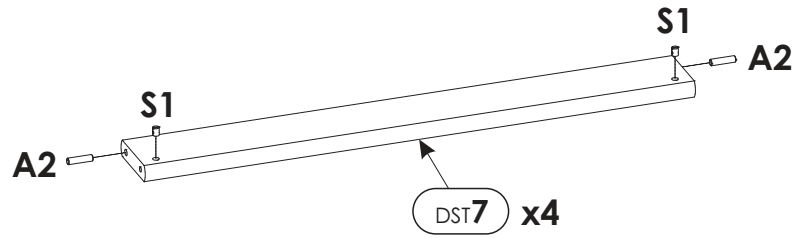
1.



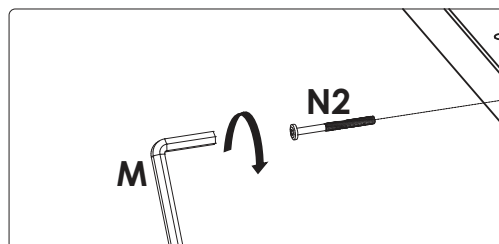
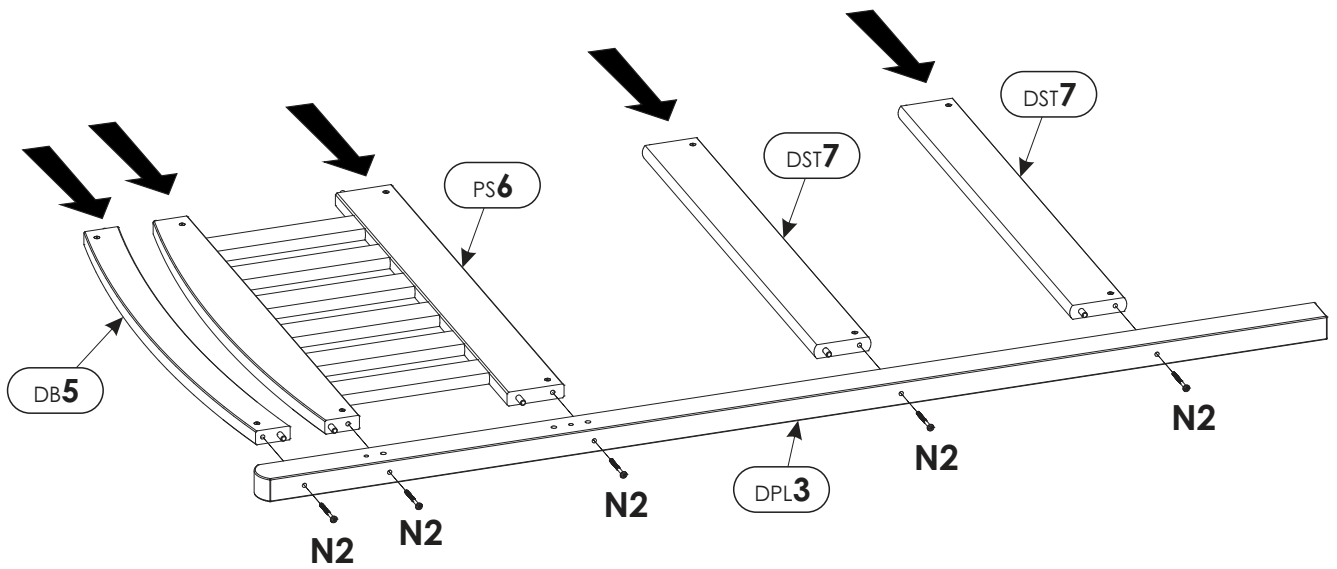
2.



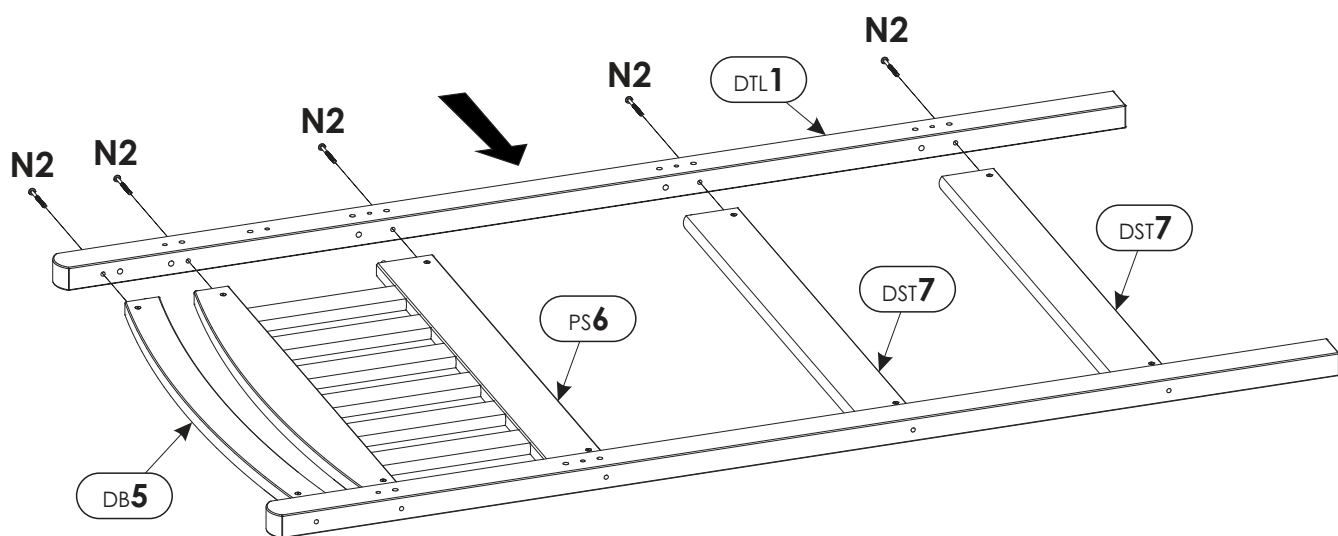
3.



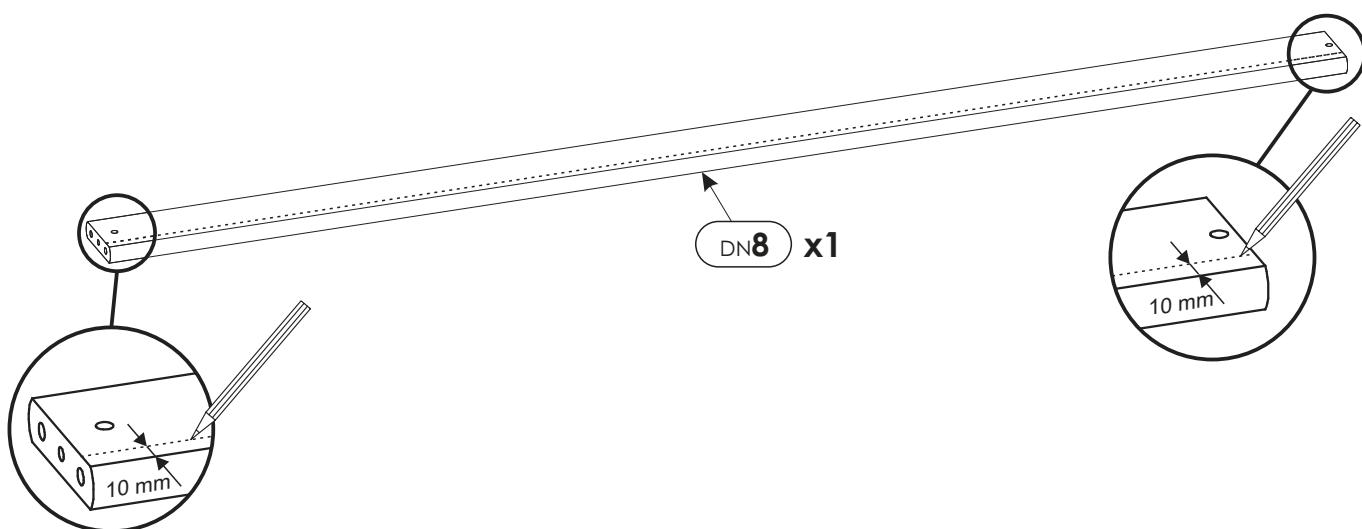
4.



# 5.

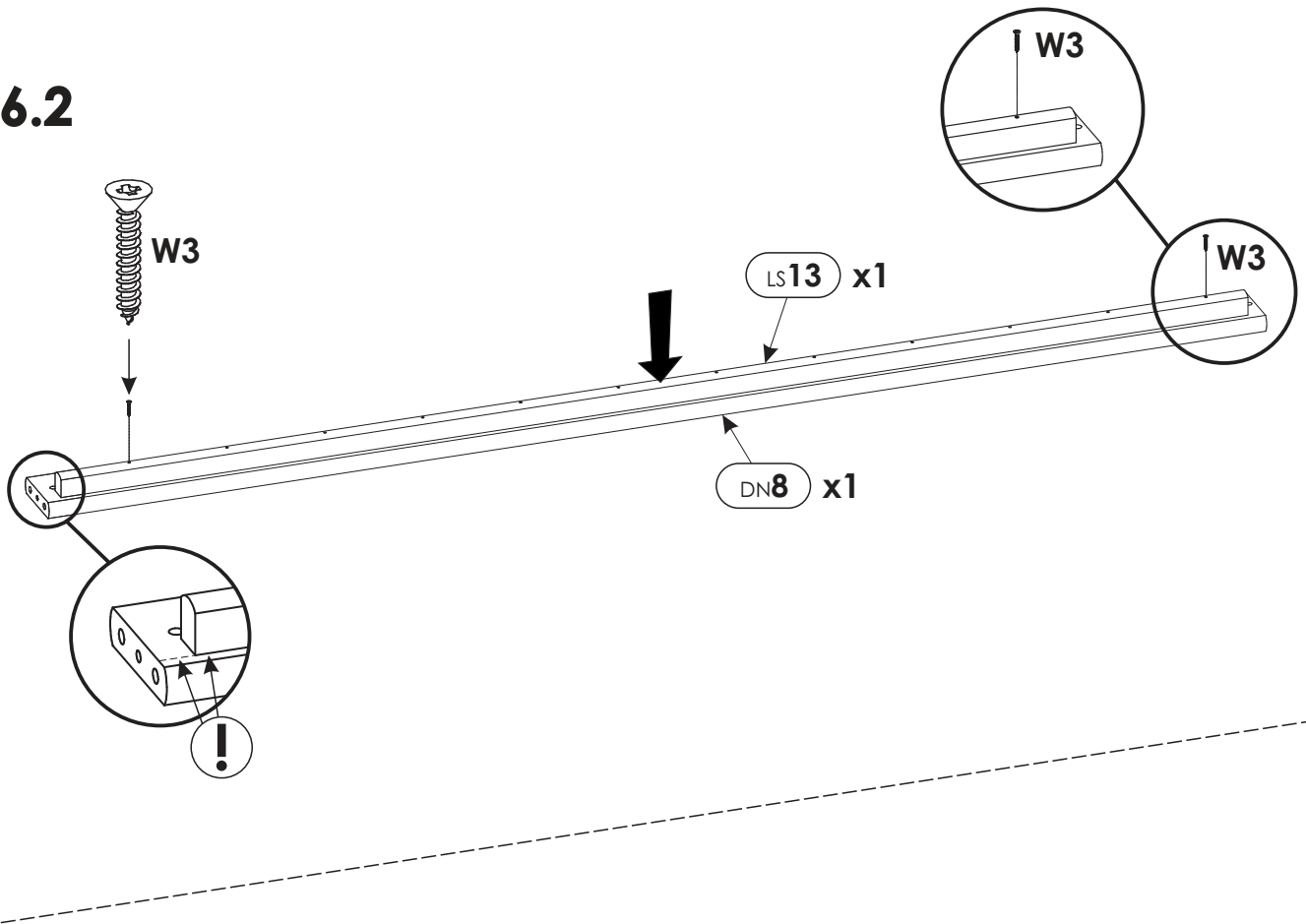


# 6. 6.1

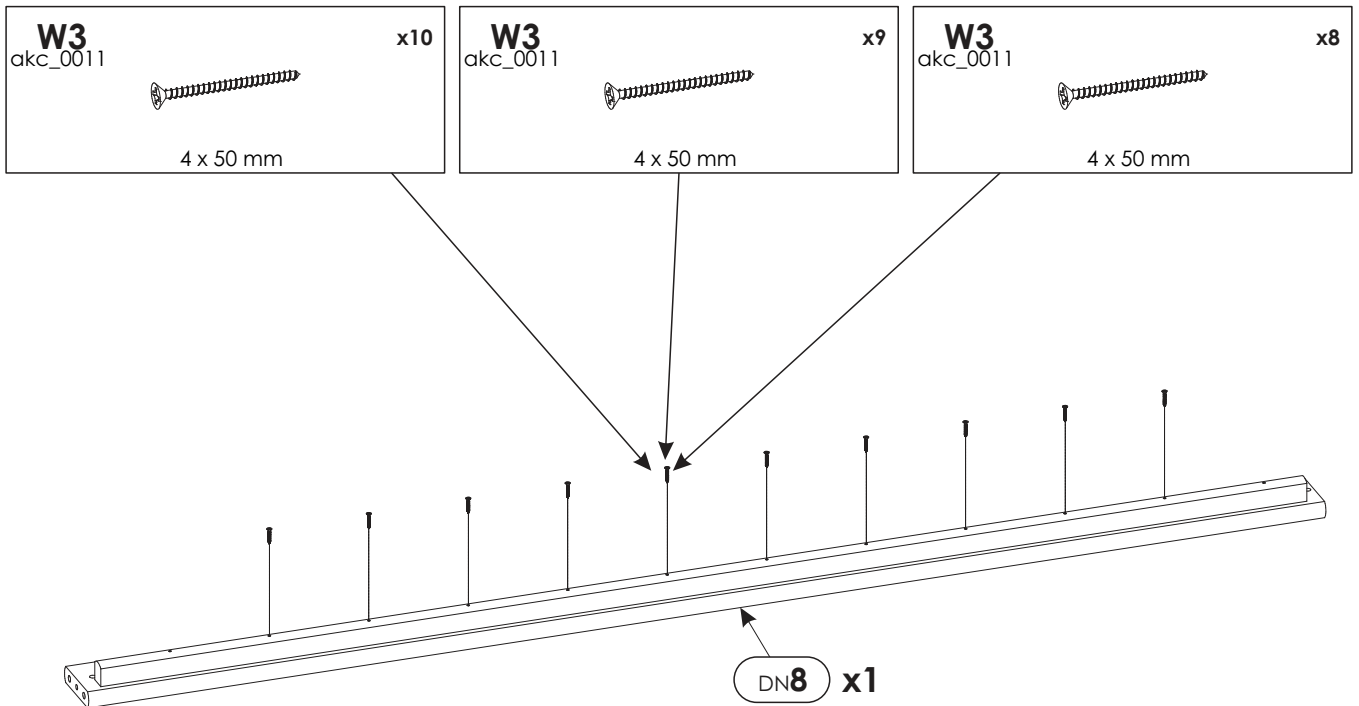




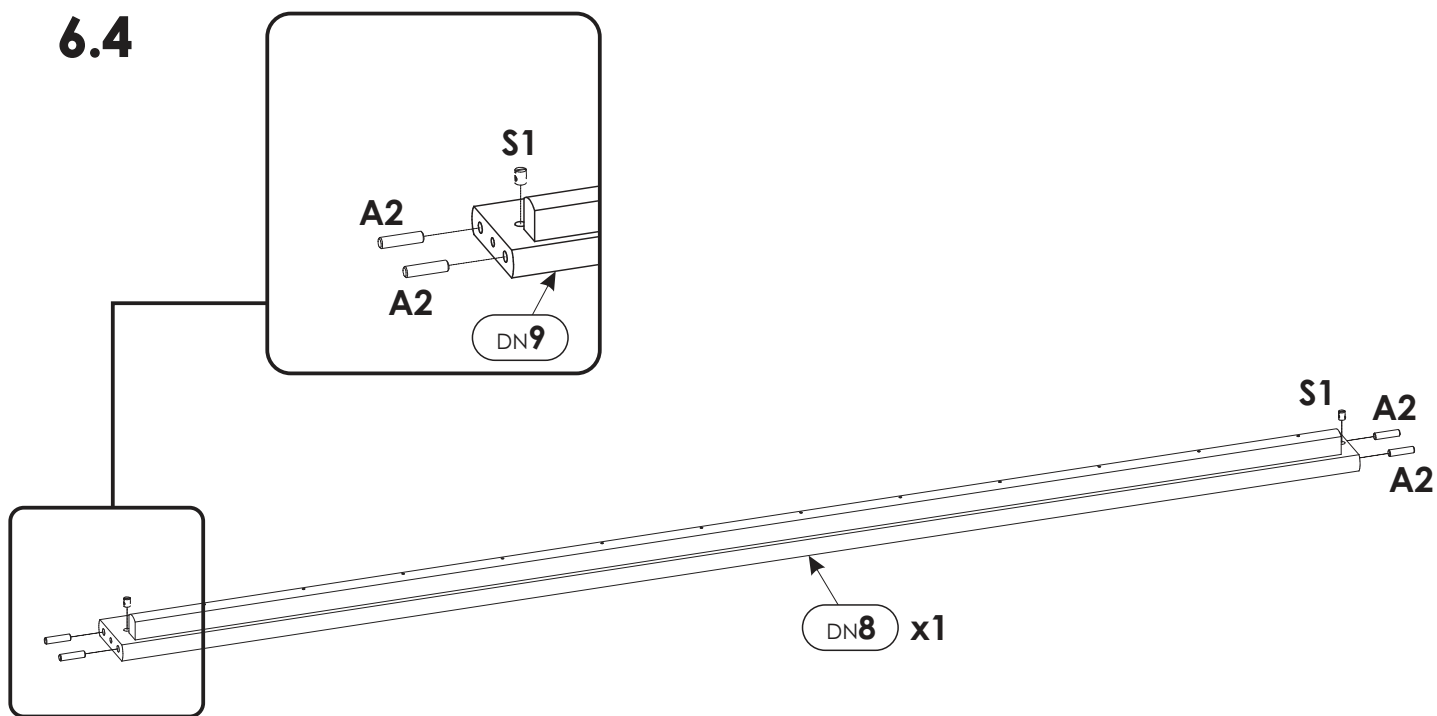
## 6.2



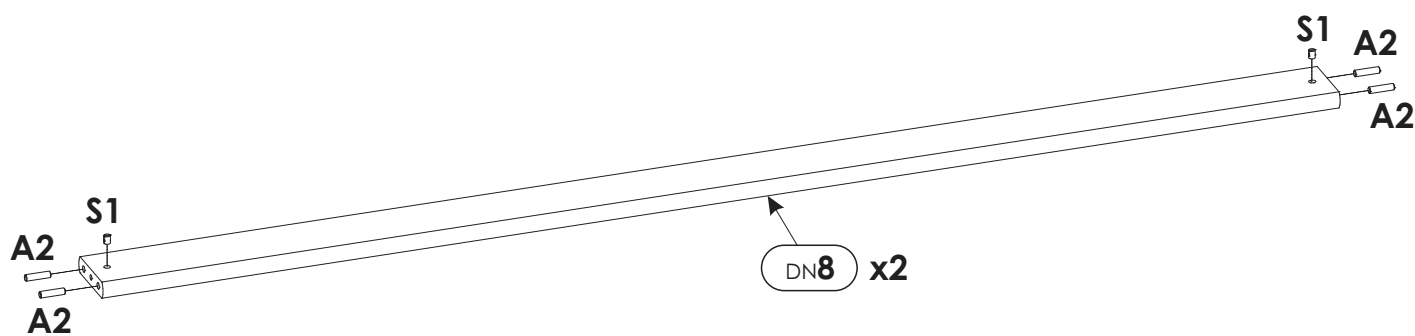
## 6.3



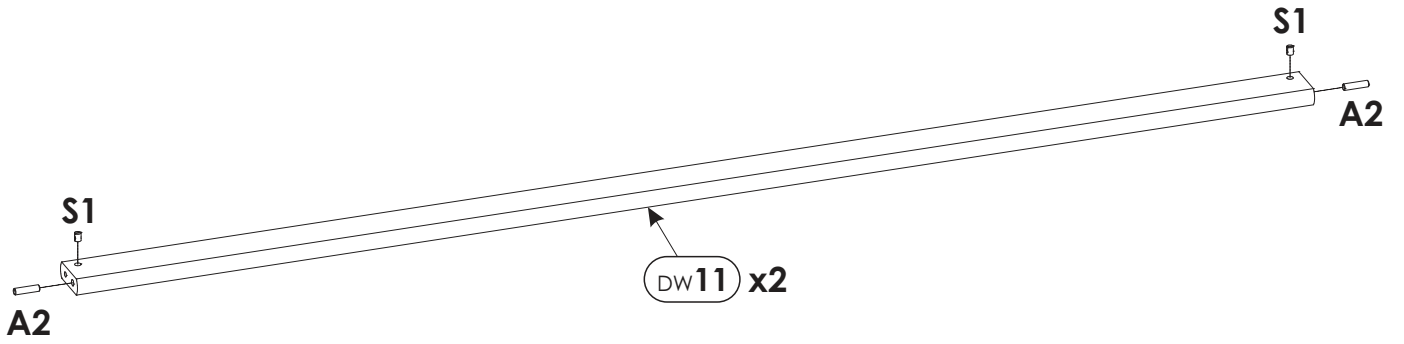
# 6.4



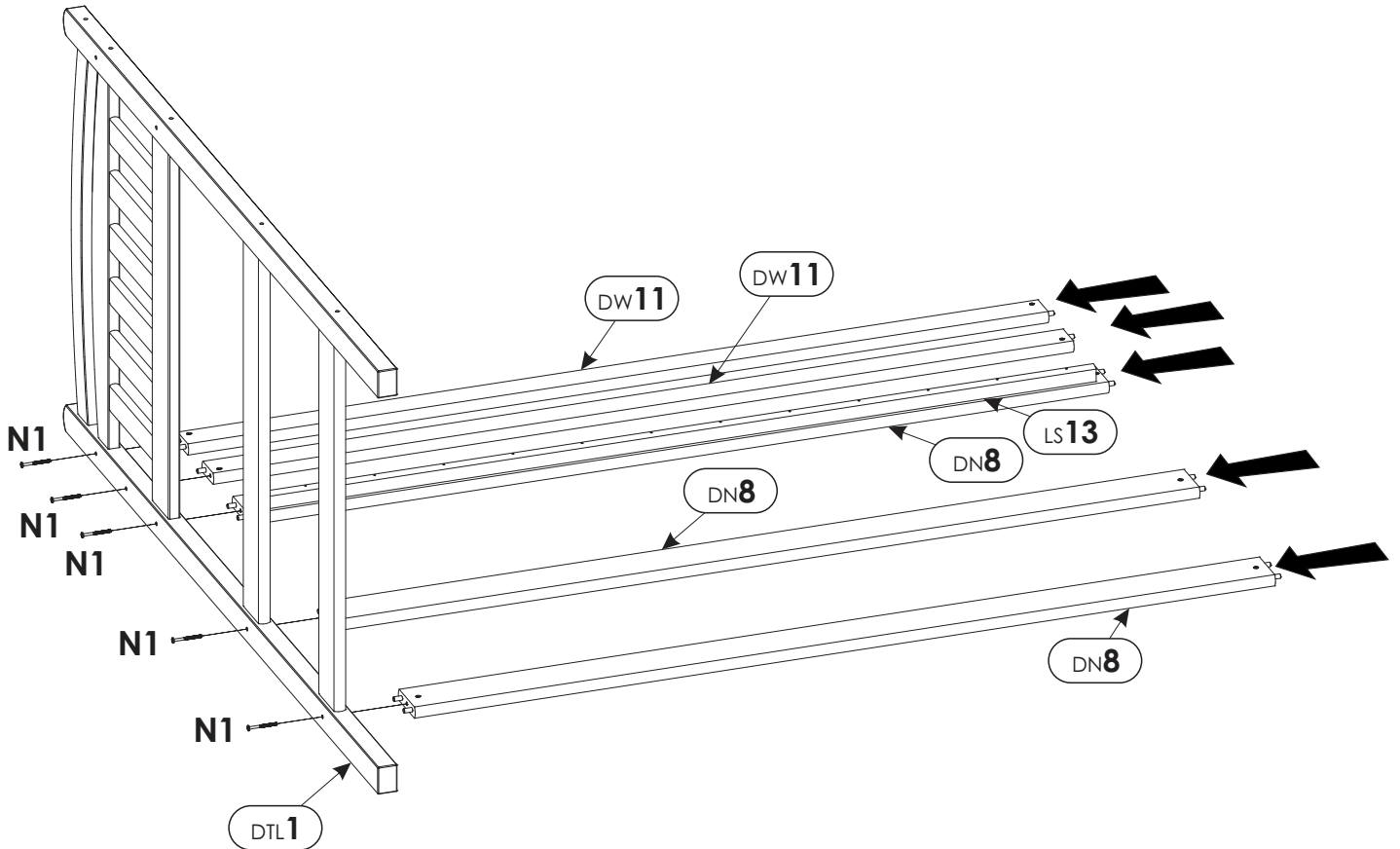
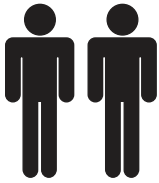
# 7.



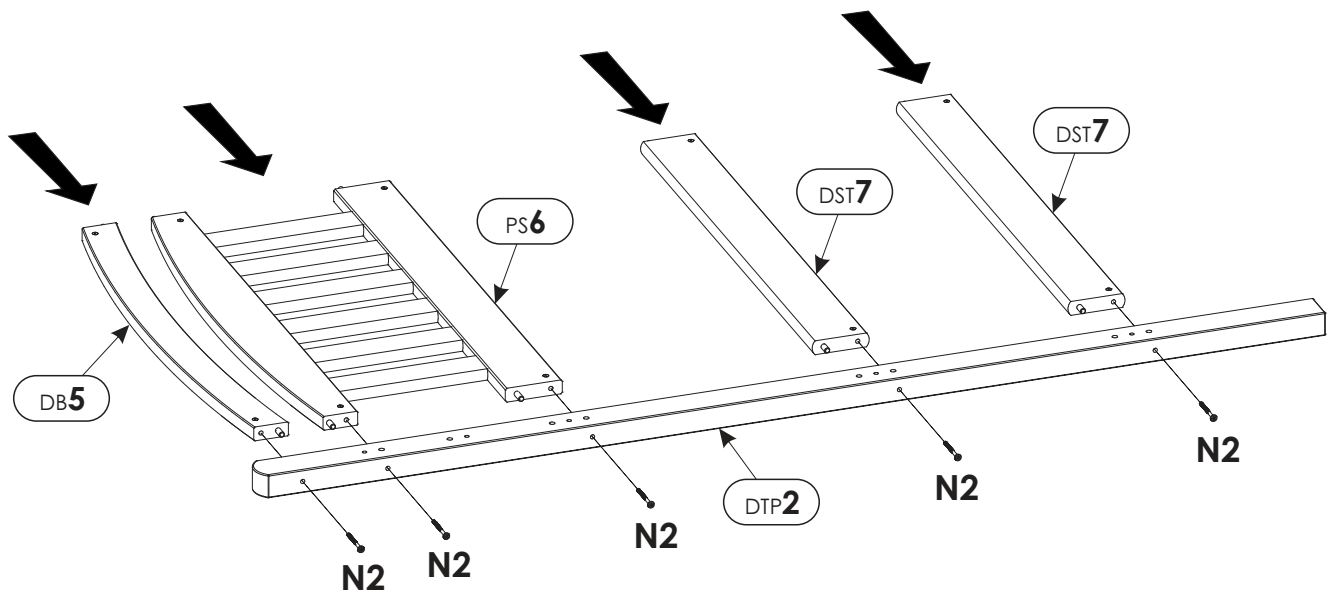
8.



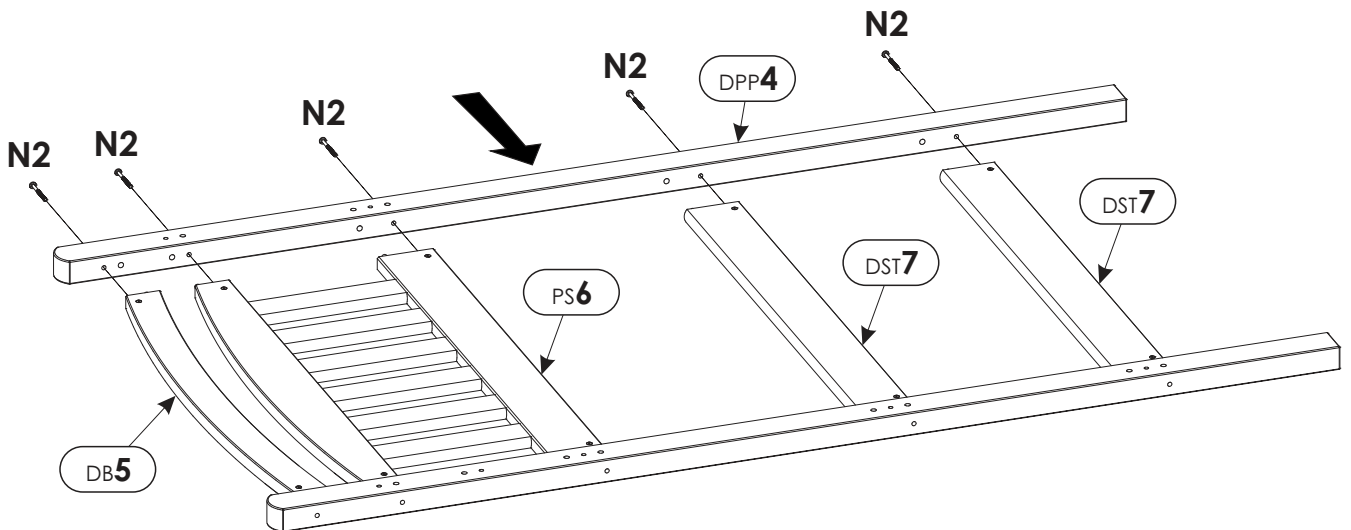
9.



# 10.

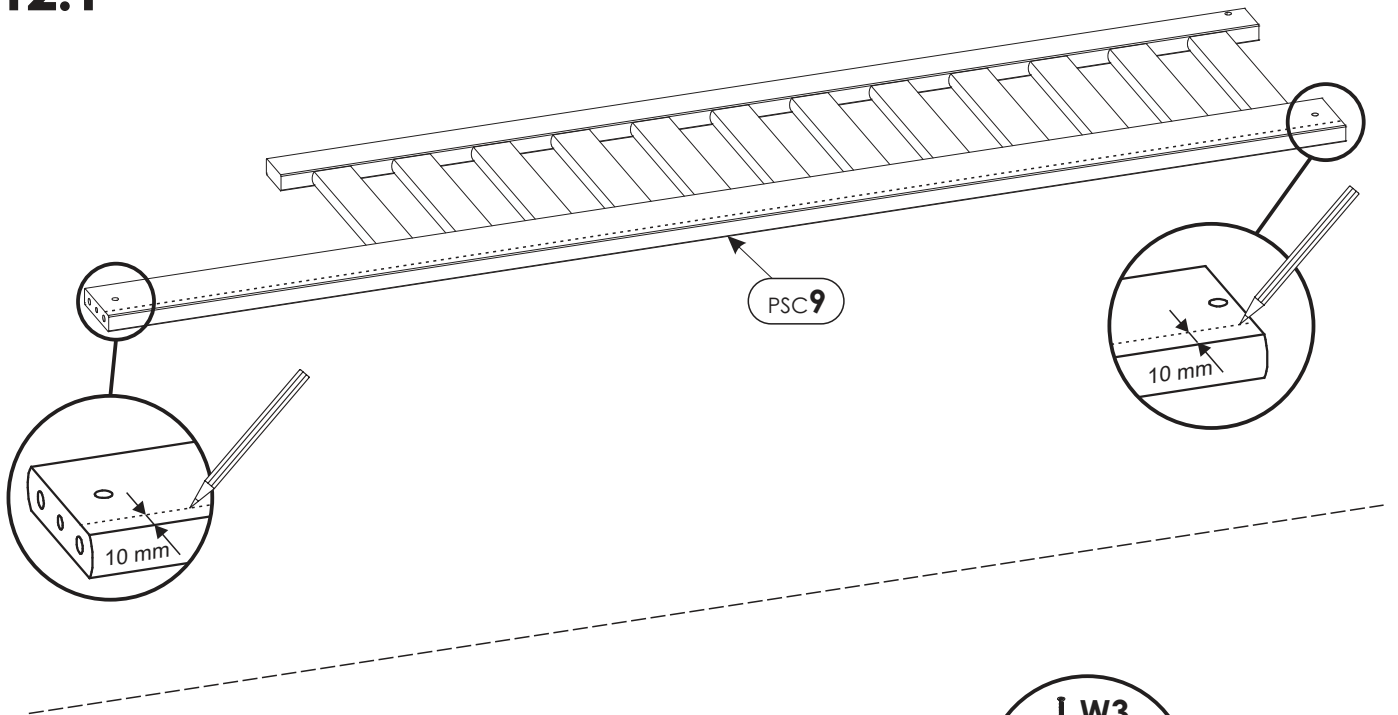
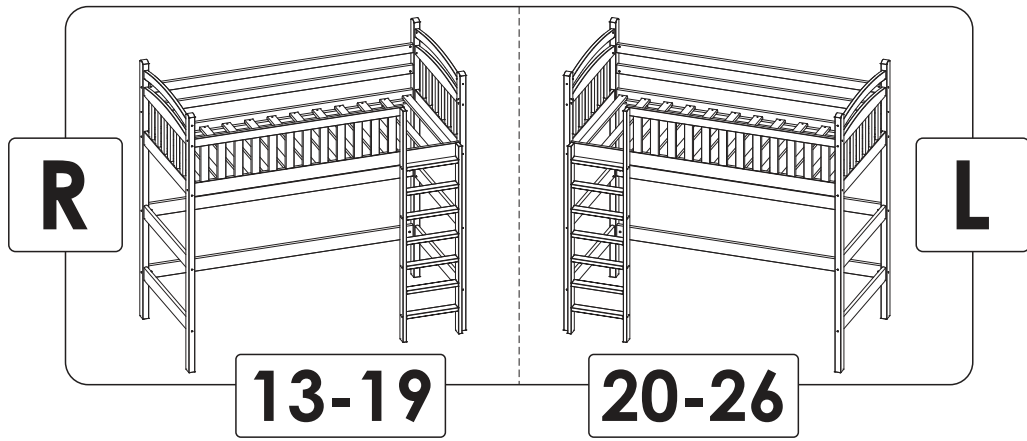


# 11.

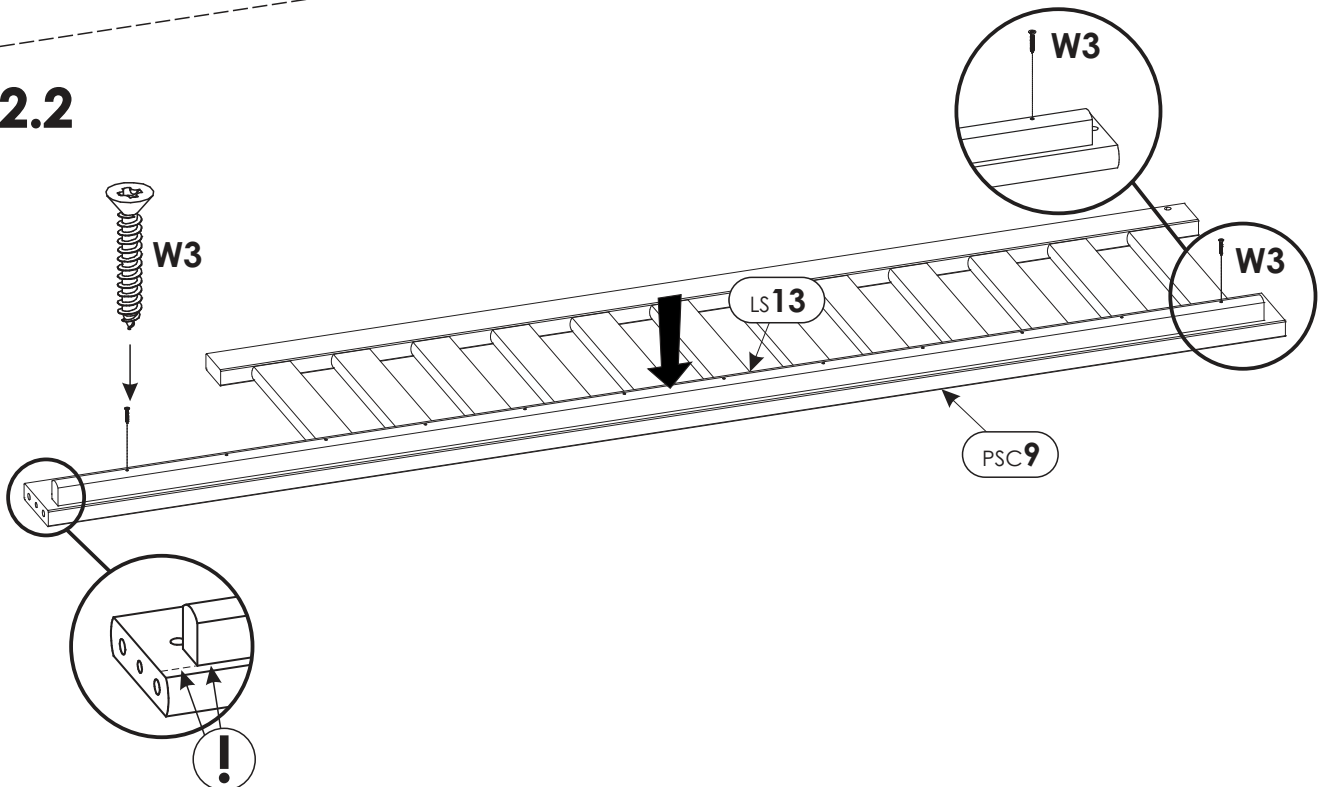


# 12.

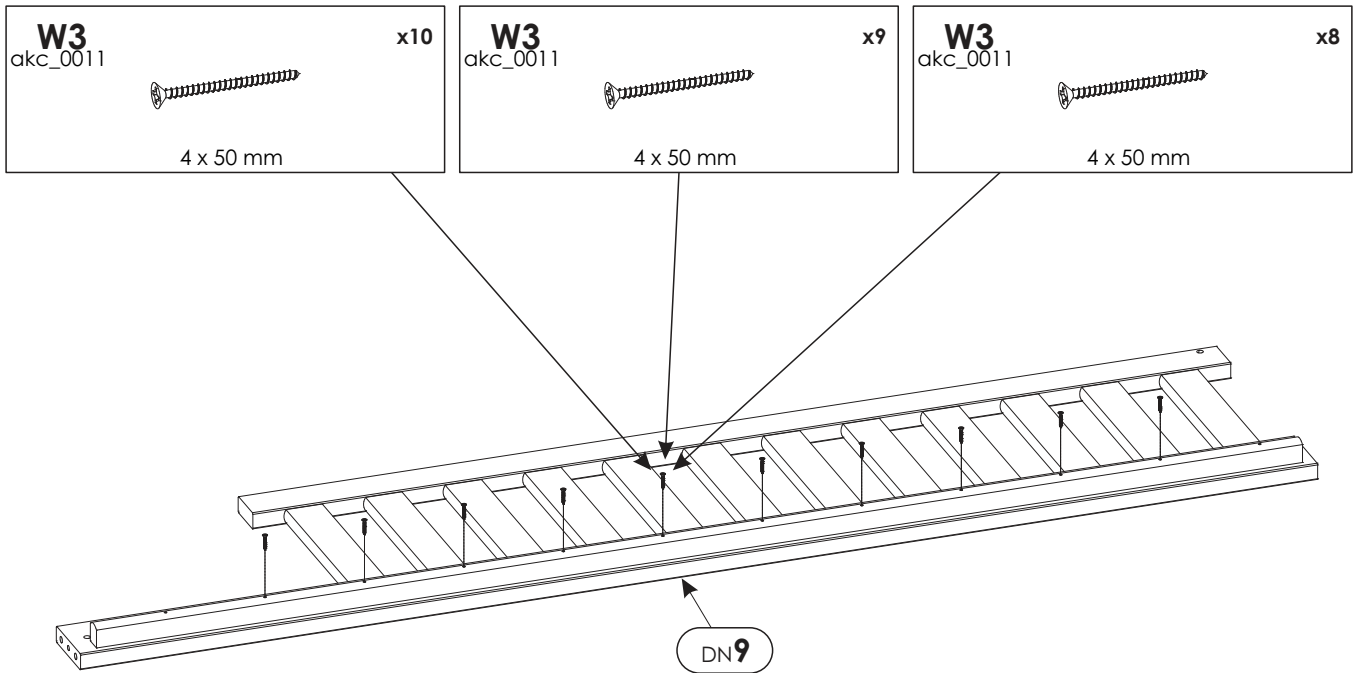
## 12.1



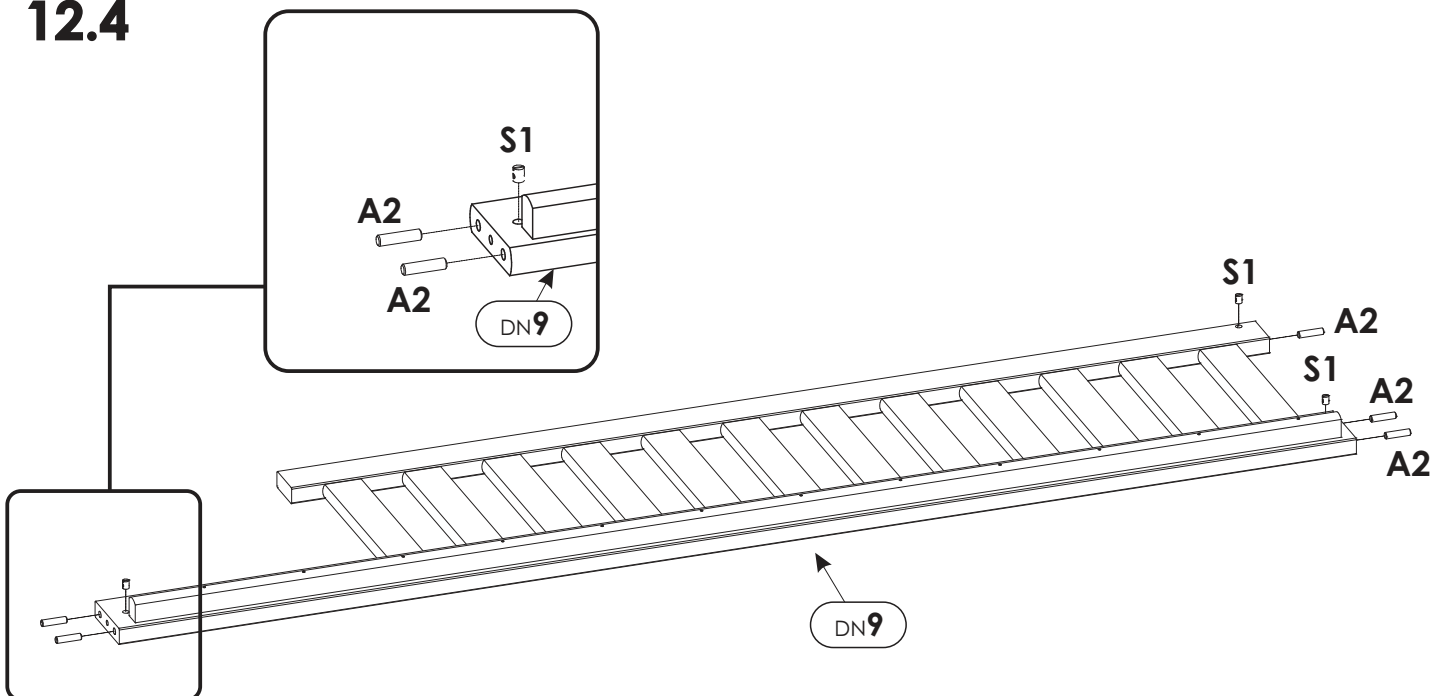
## 12.2



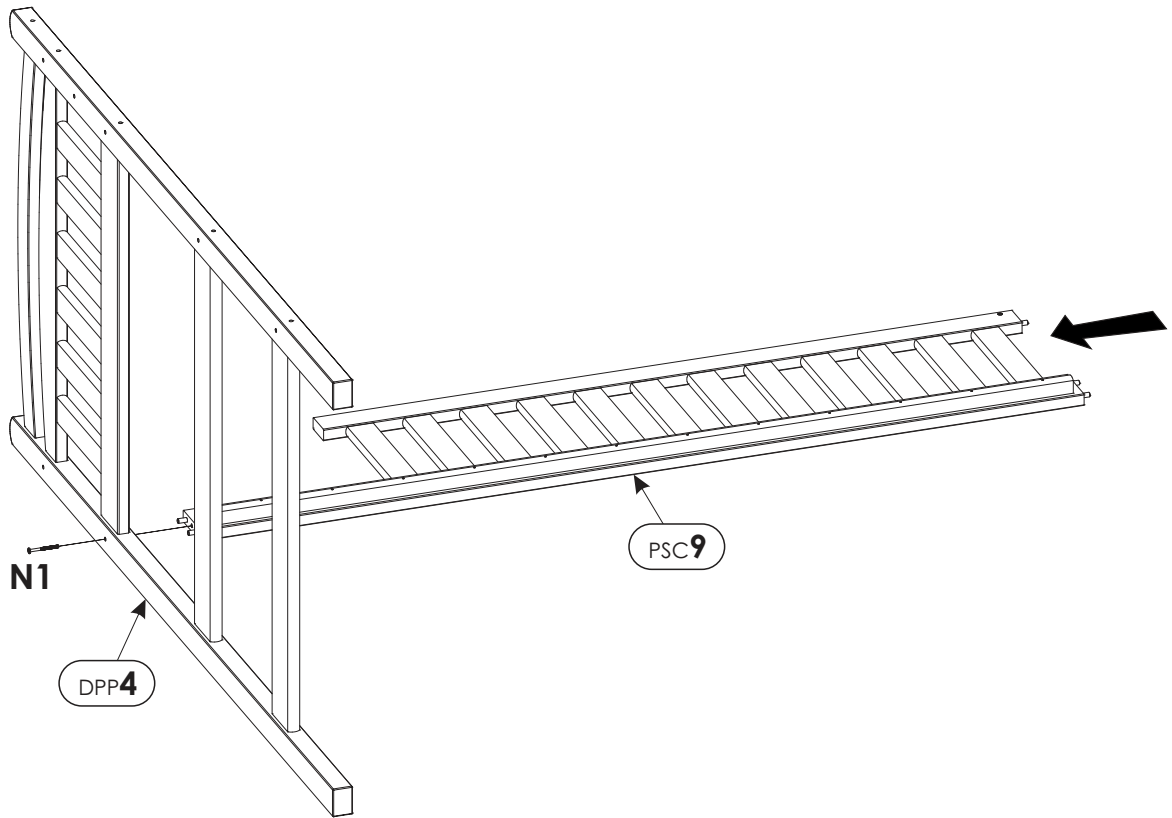
## 12.3



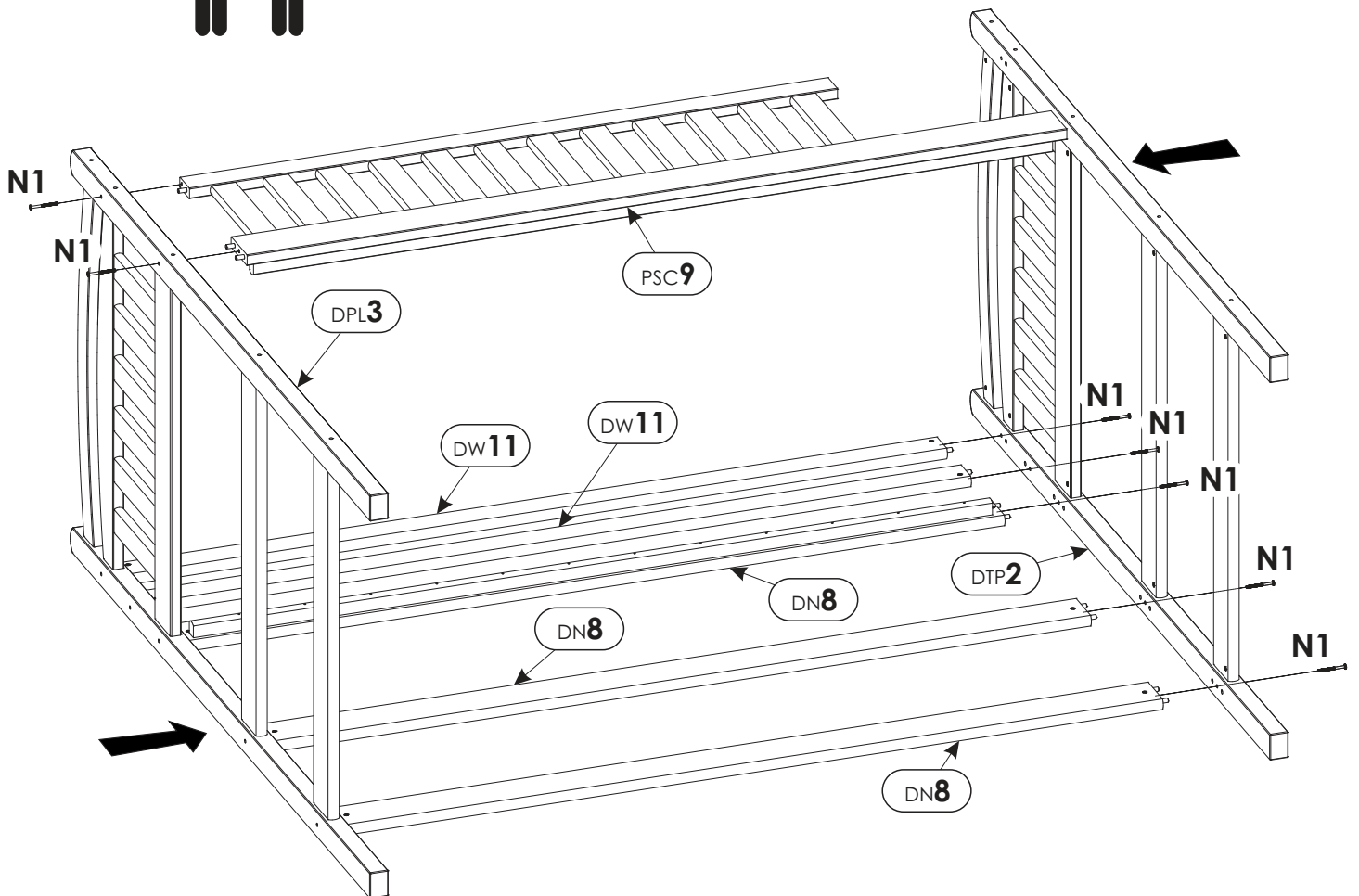
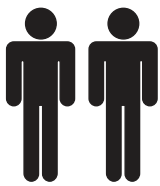
## 12.4



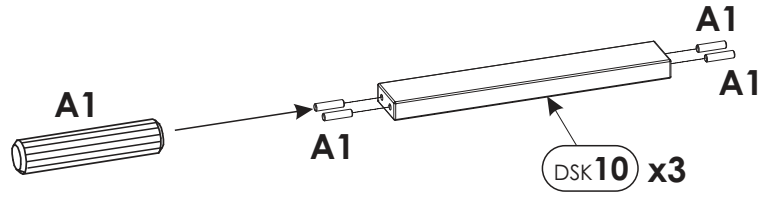
# 13.



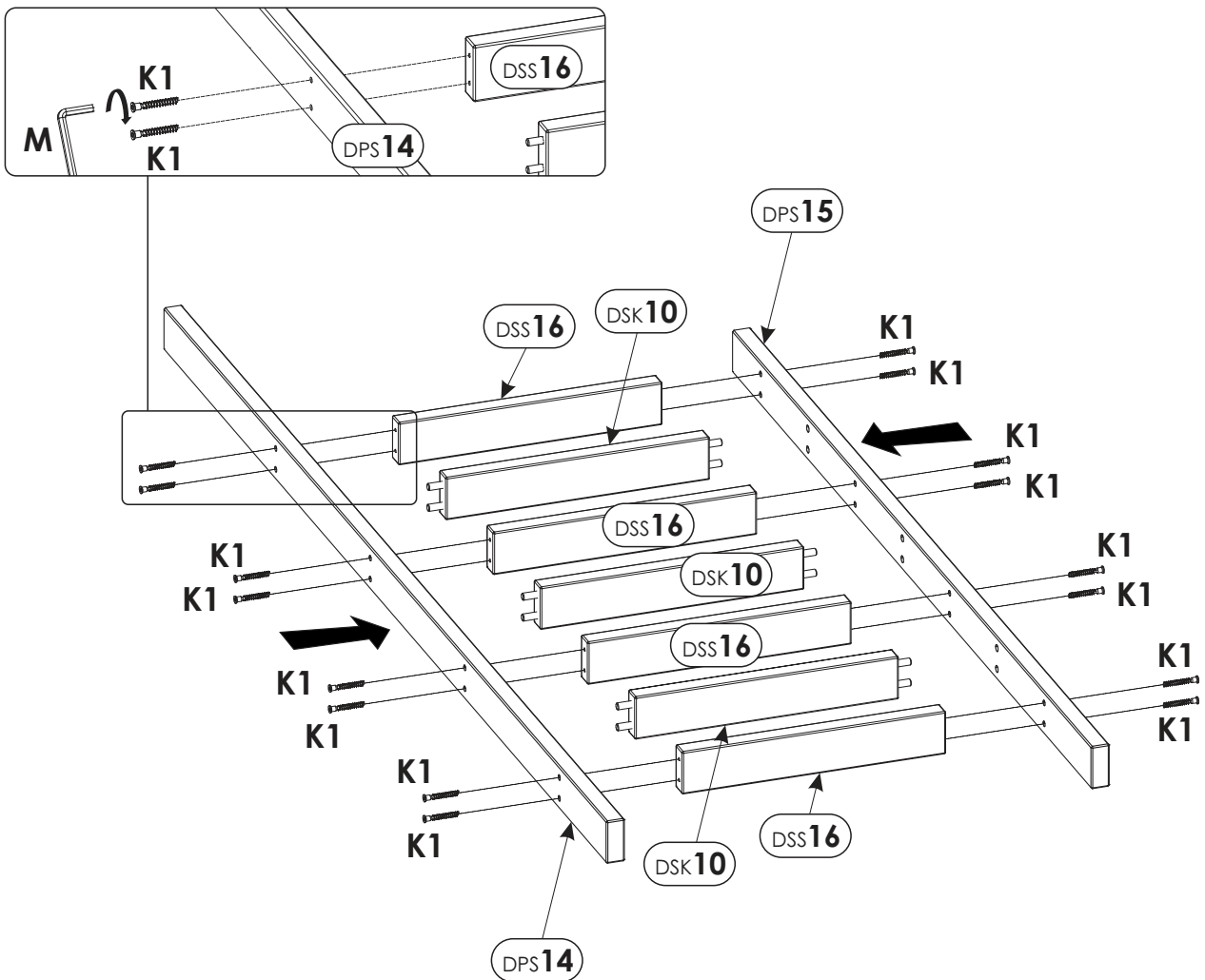
# 14.



# 15.



# 16.

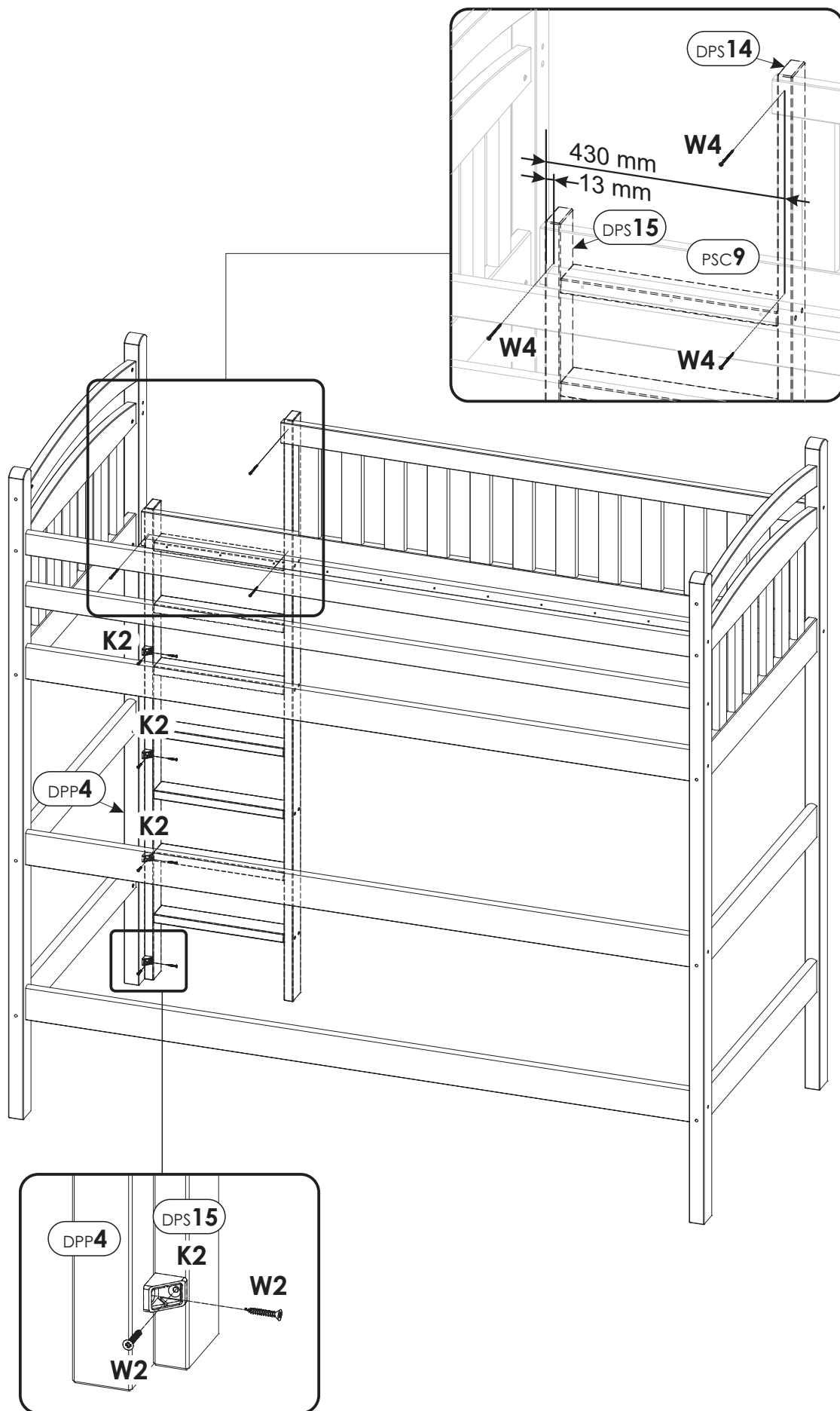




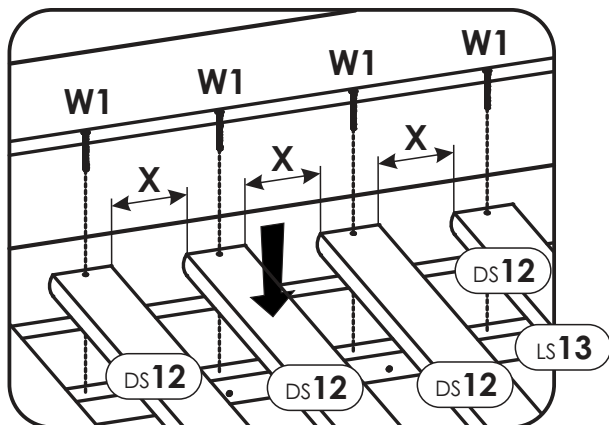
17.



# 18.



# 19.

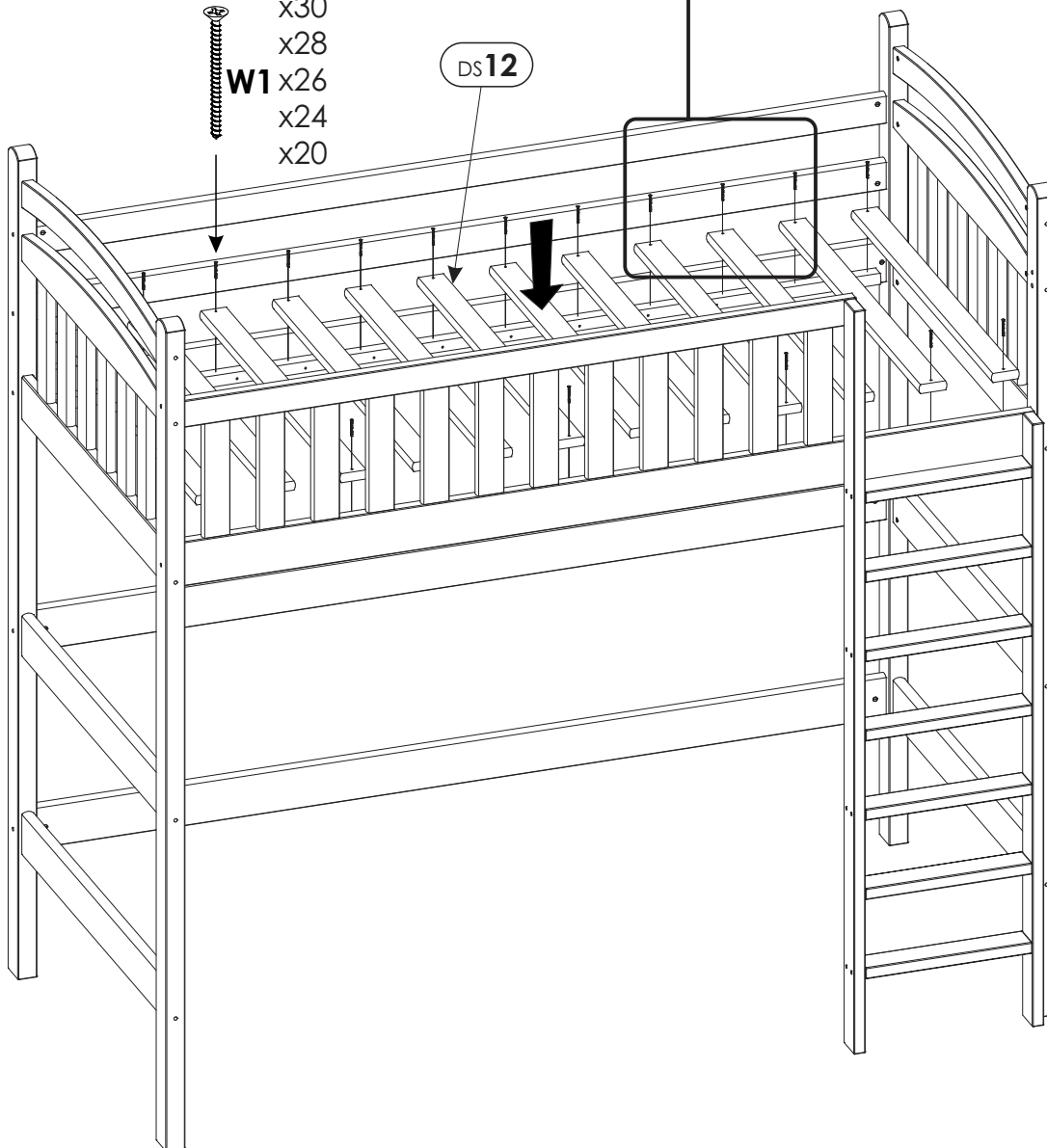


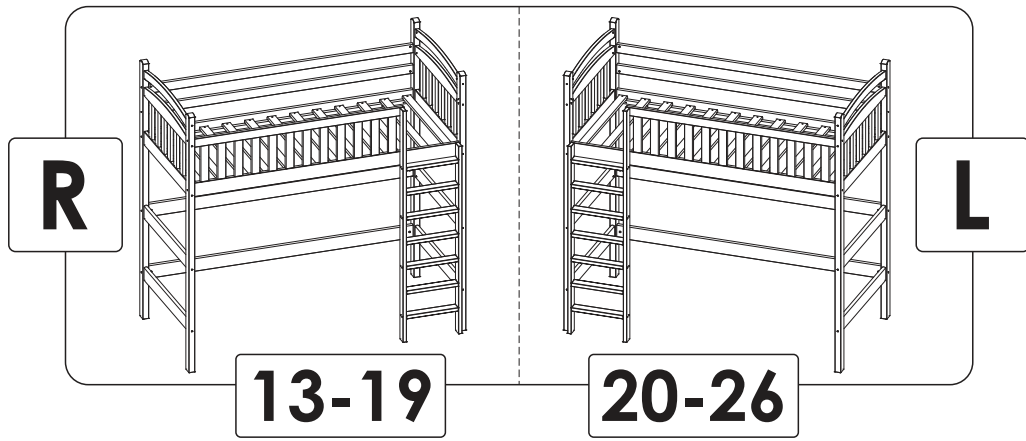
**OPTION:**

- x30
- x28
- x26
- x24
- x20



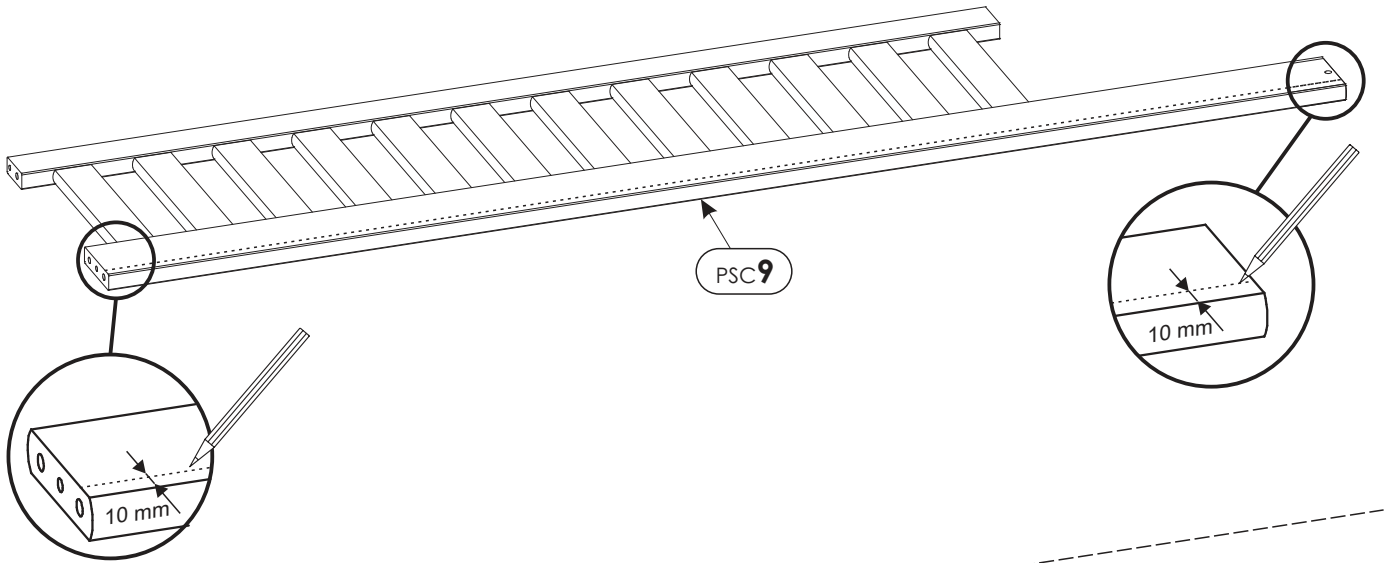
DS12



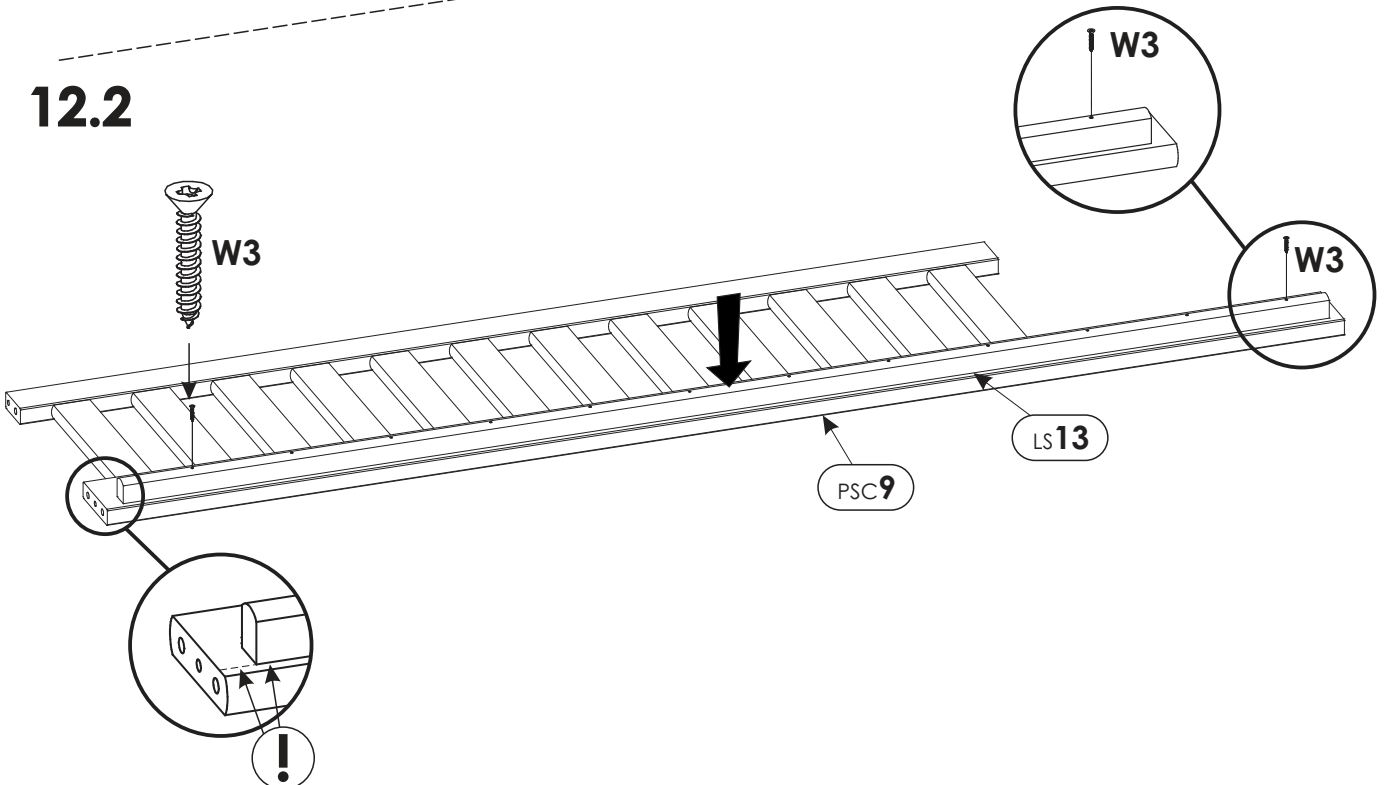


# 12.

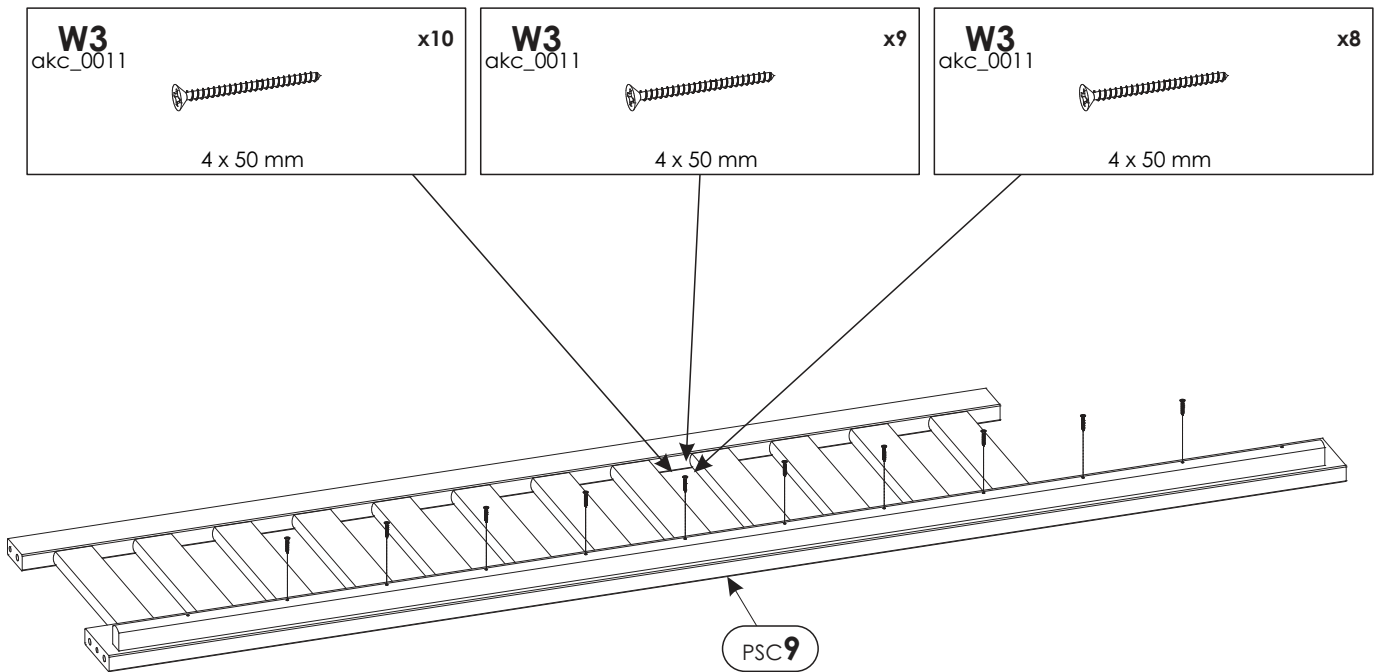
## 12.1



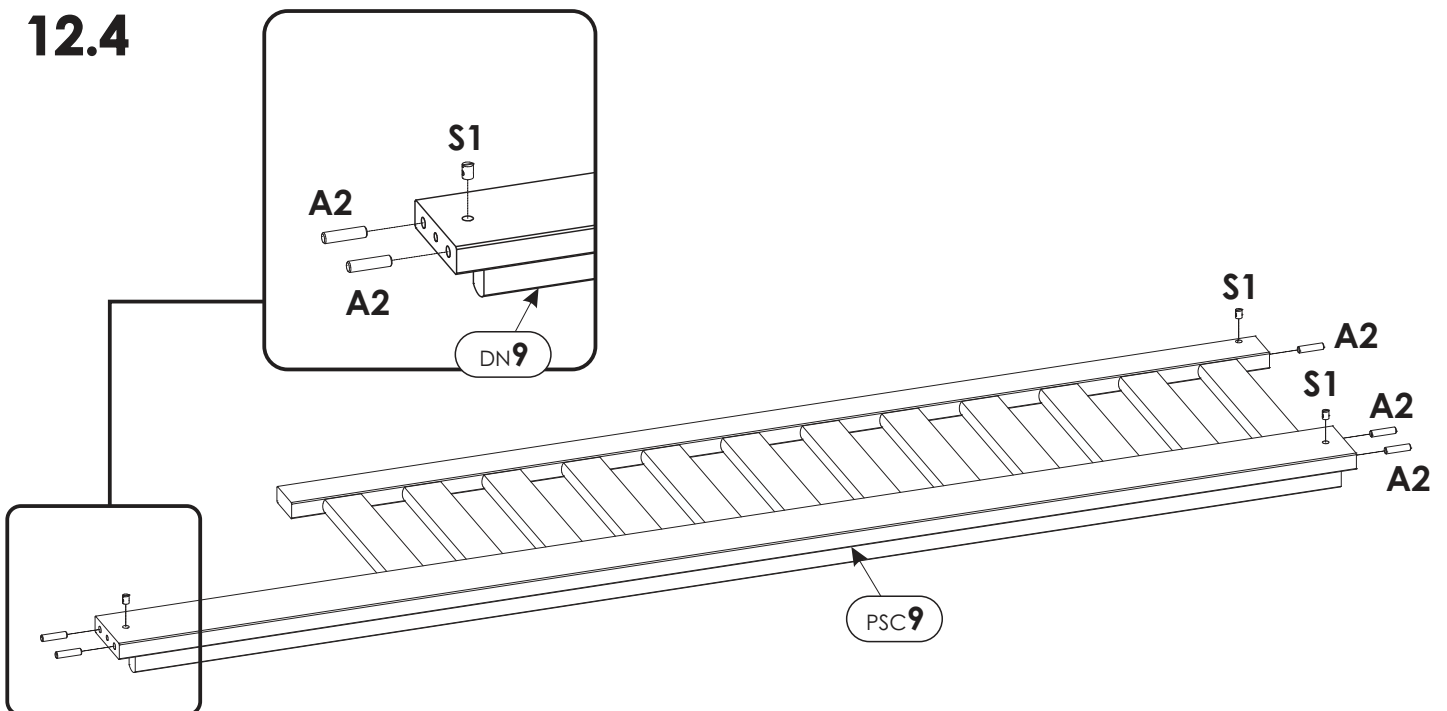
## 12.2



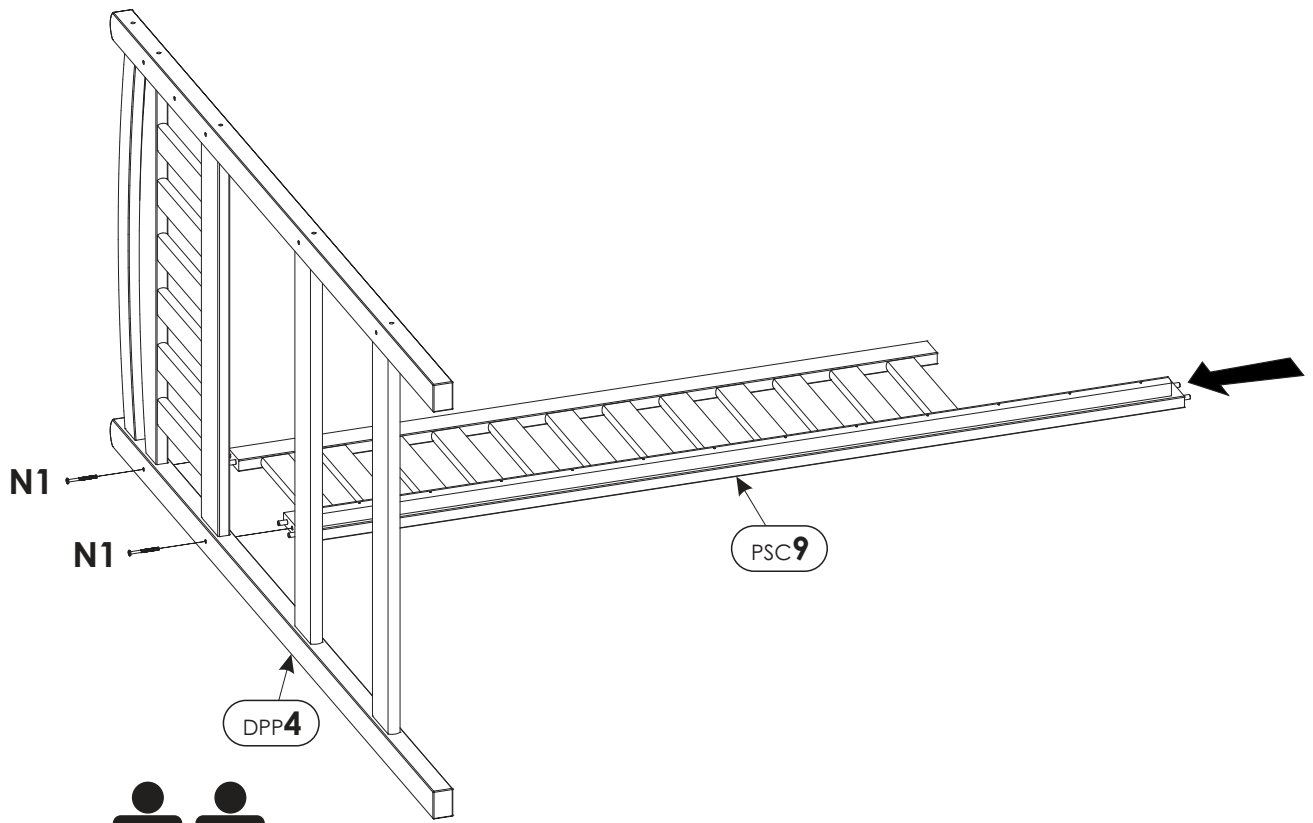
## 12.3



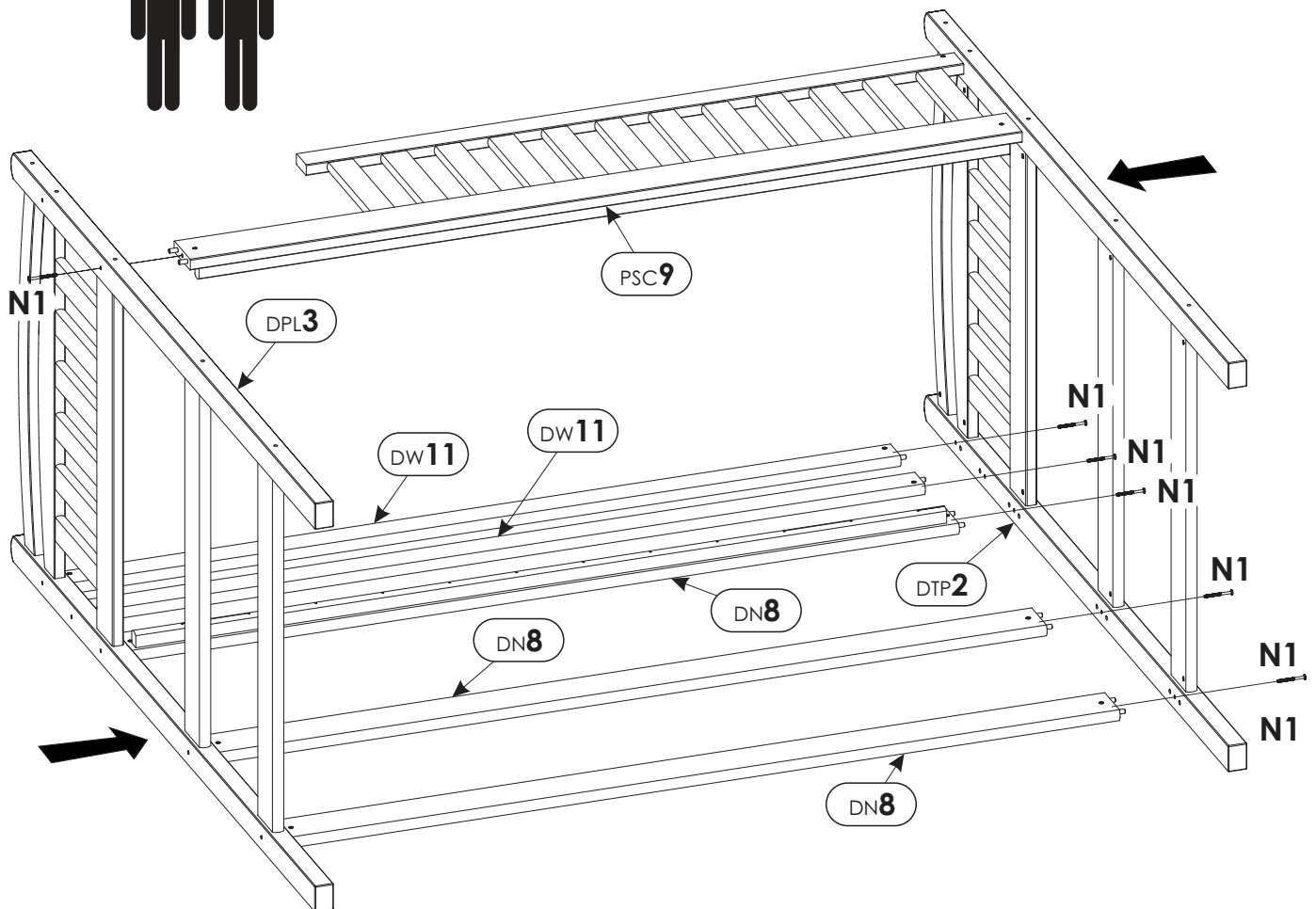
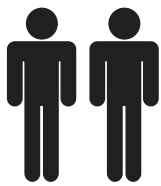
## 12.4



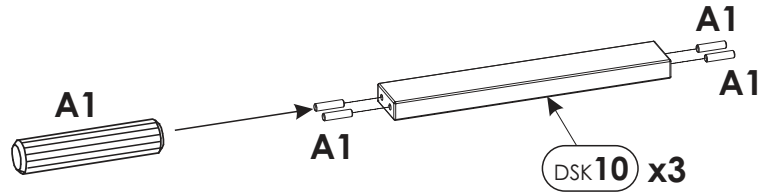
# 13.



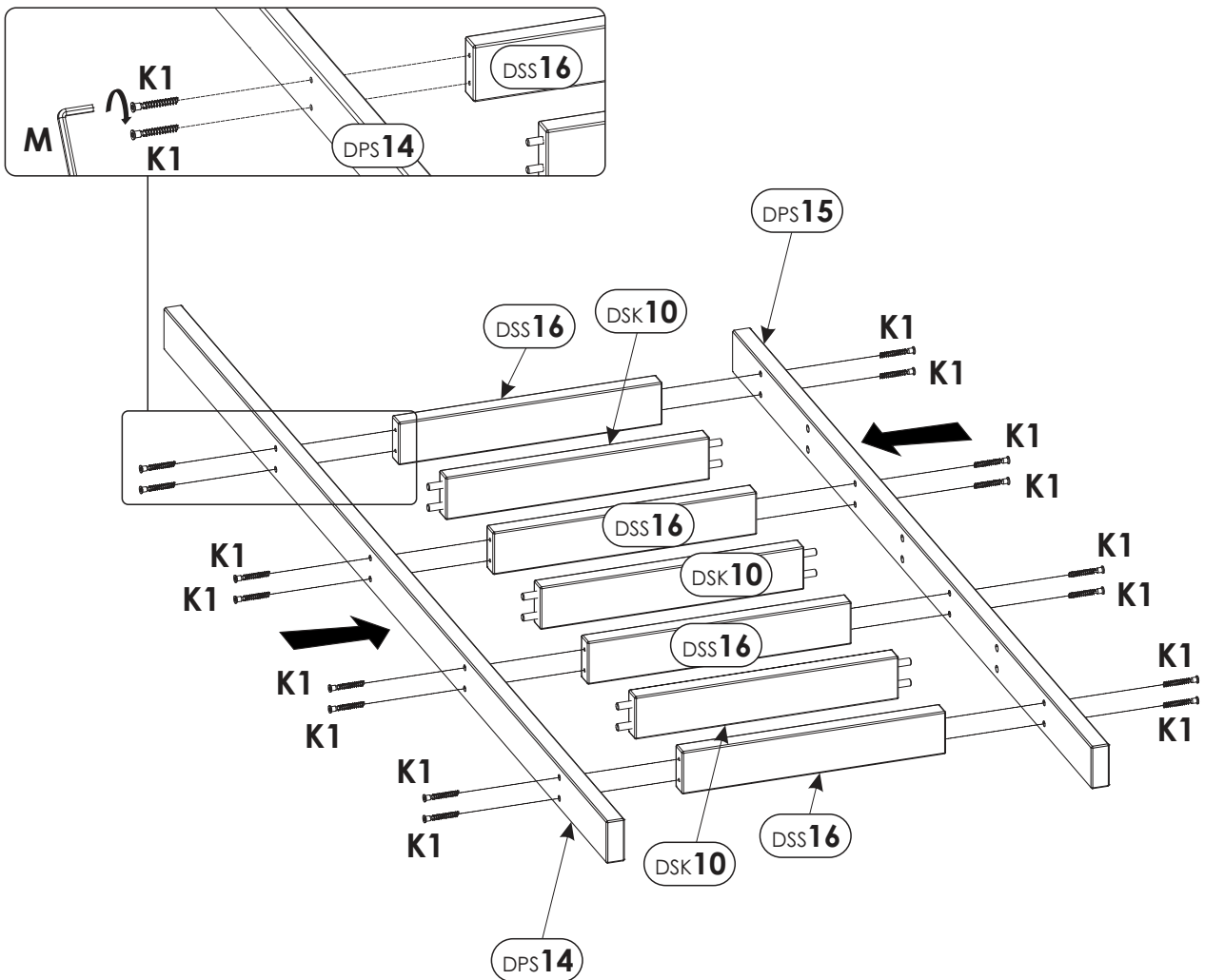
# 14.



# 15.



# 16.

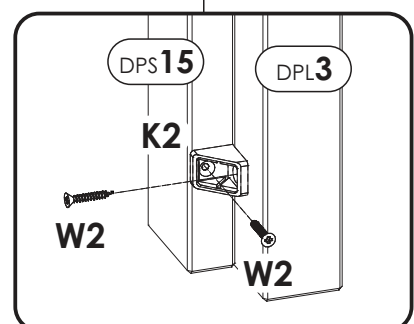
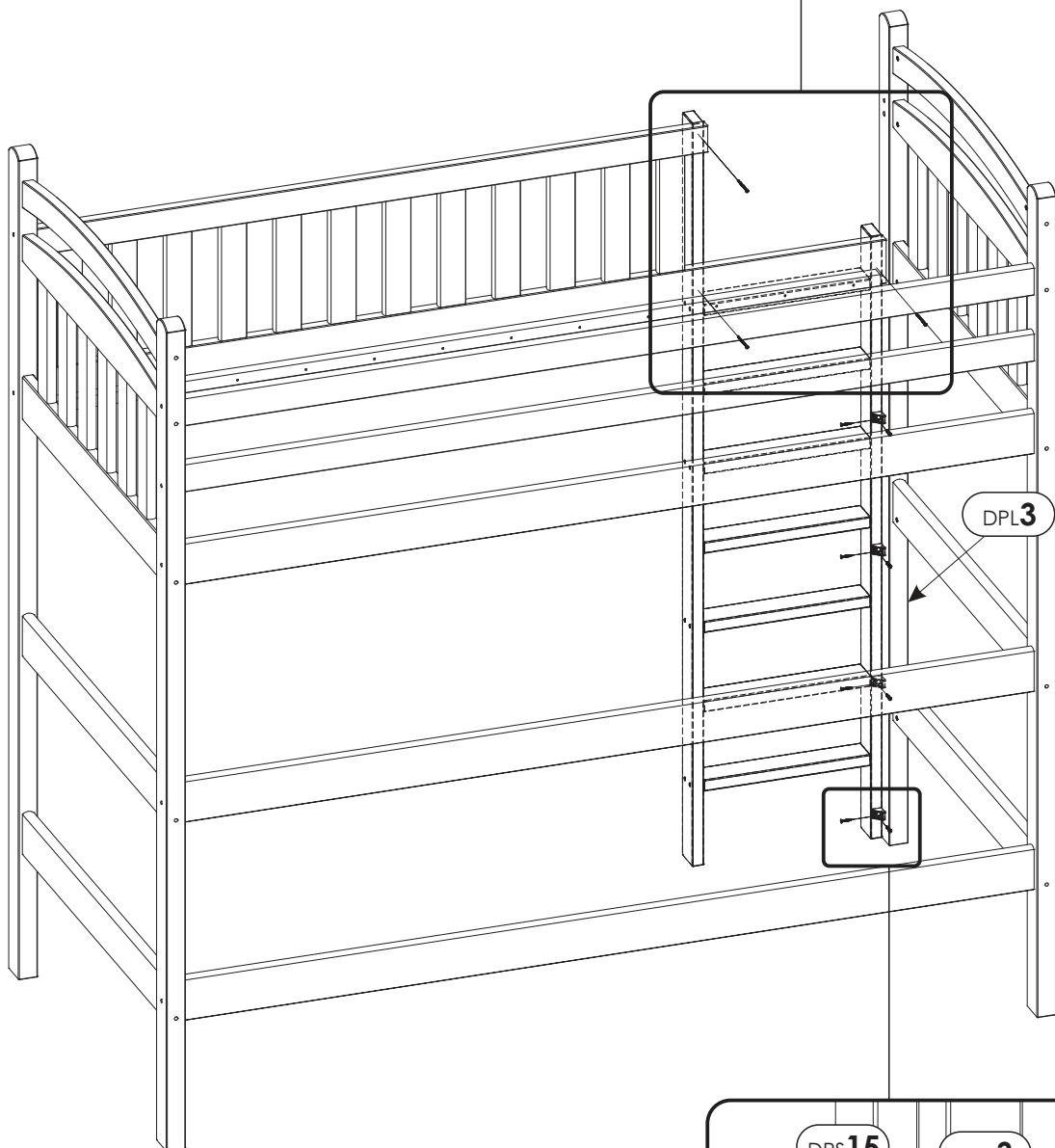
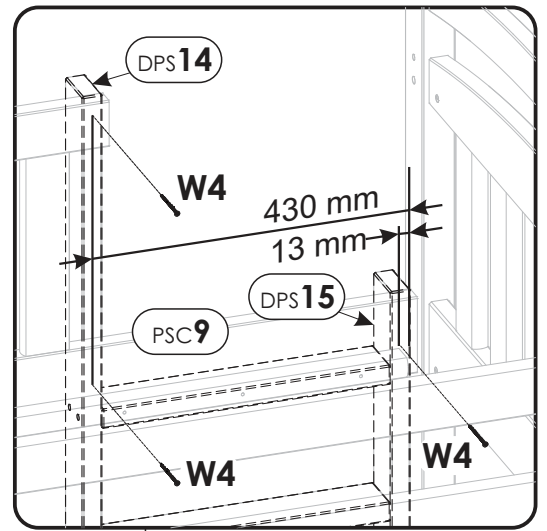


17.





# 18.



# 19.

