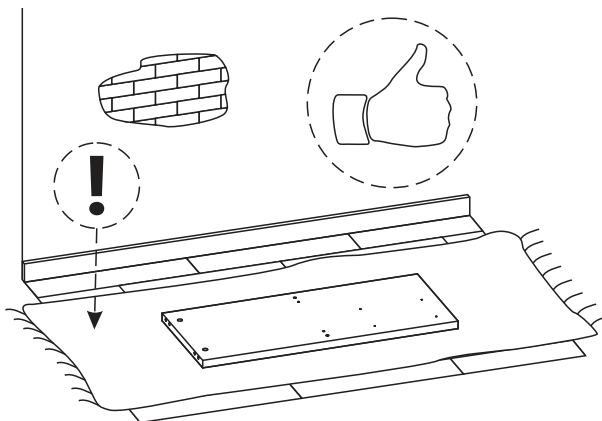
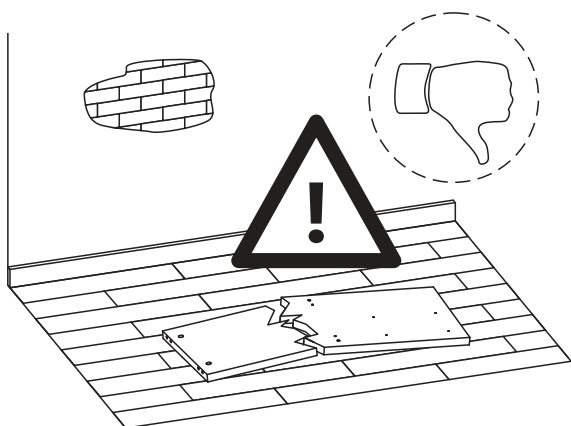
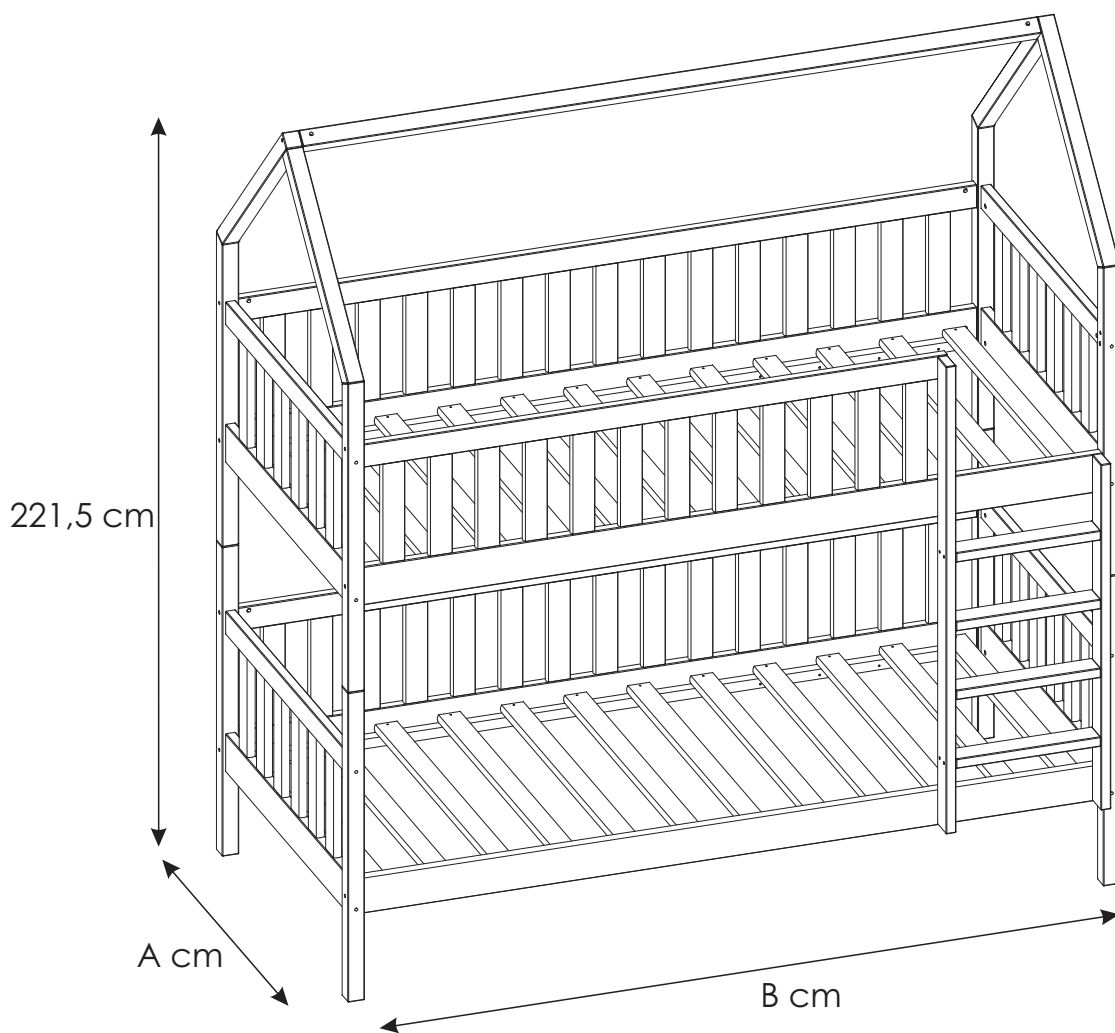
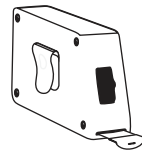
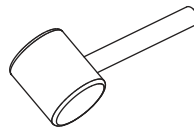
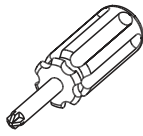
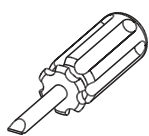
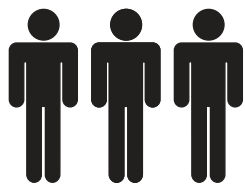
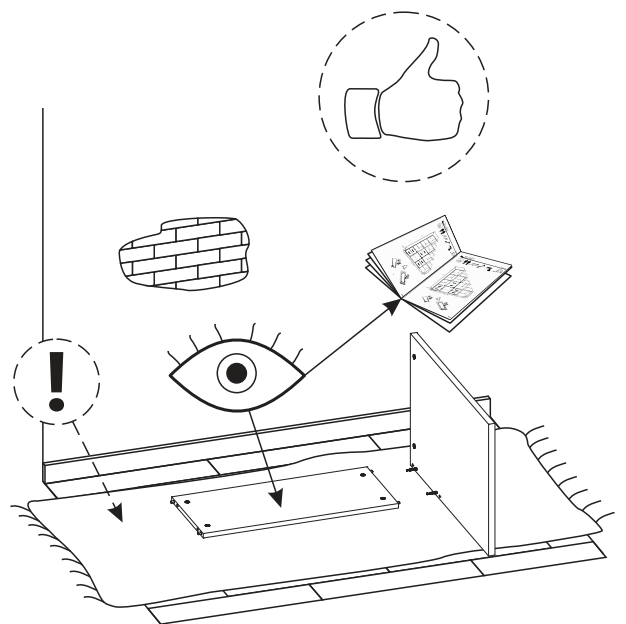
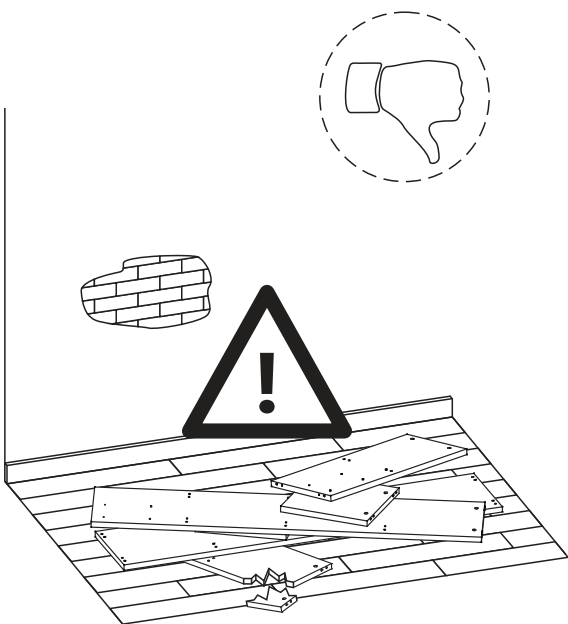
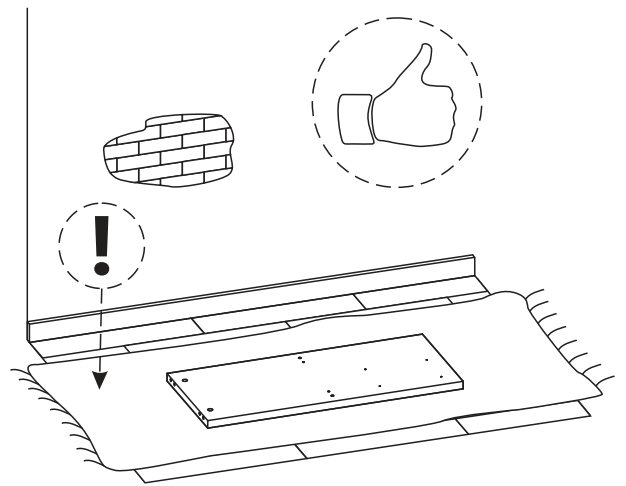
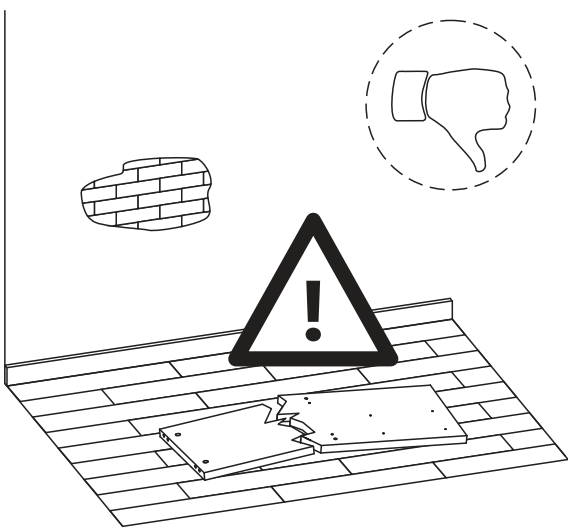
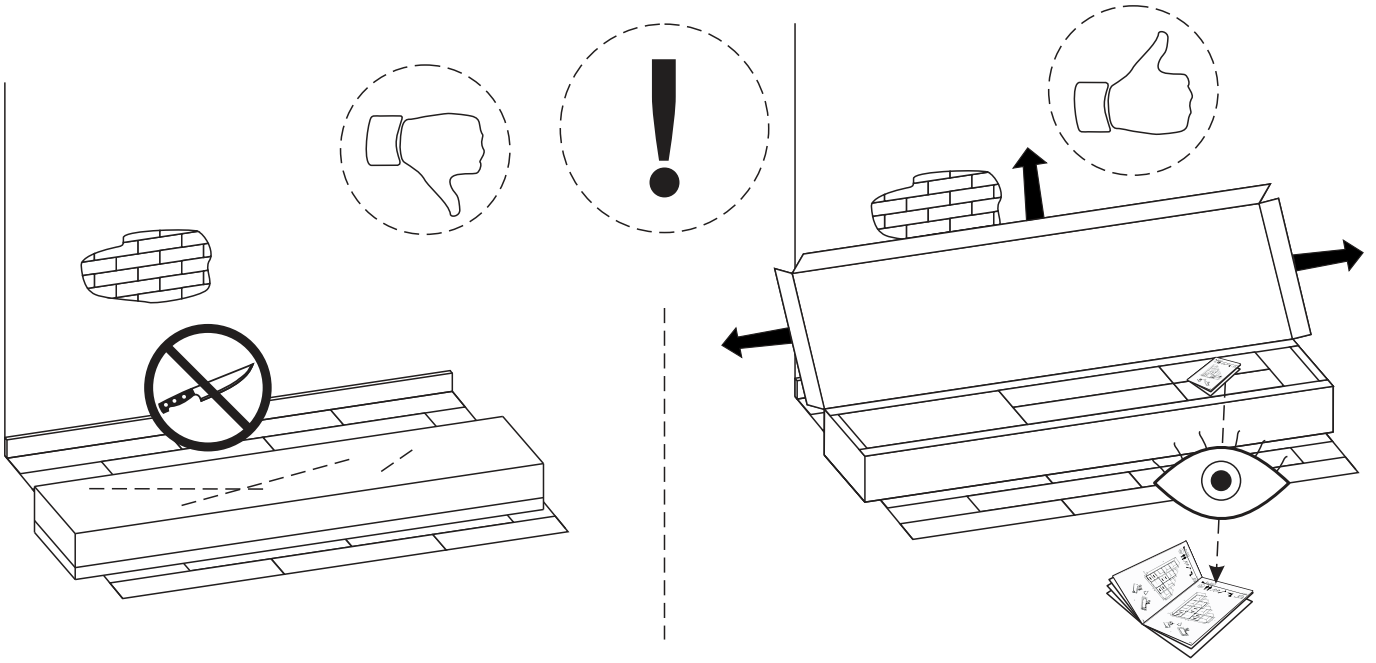
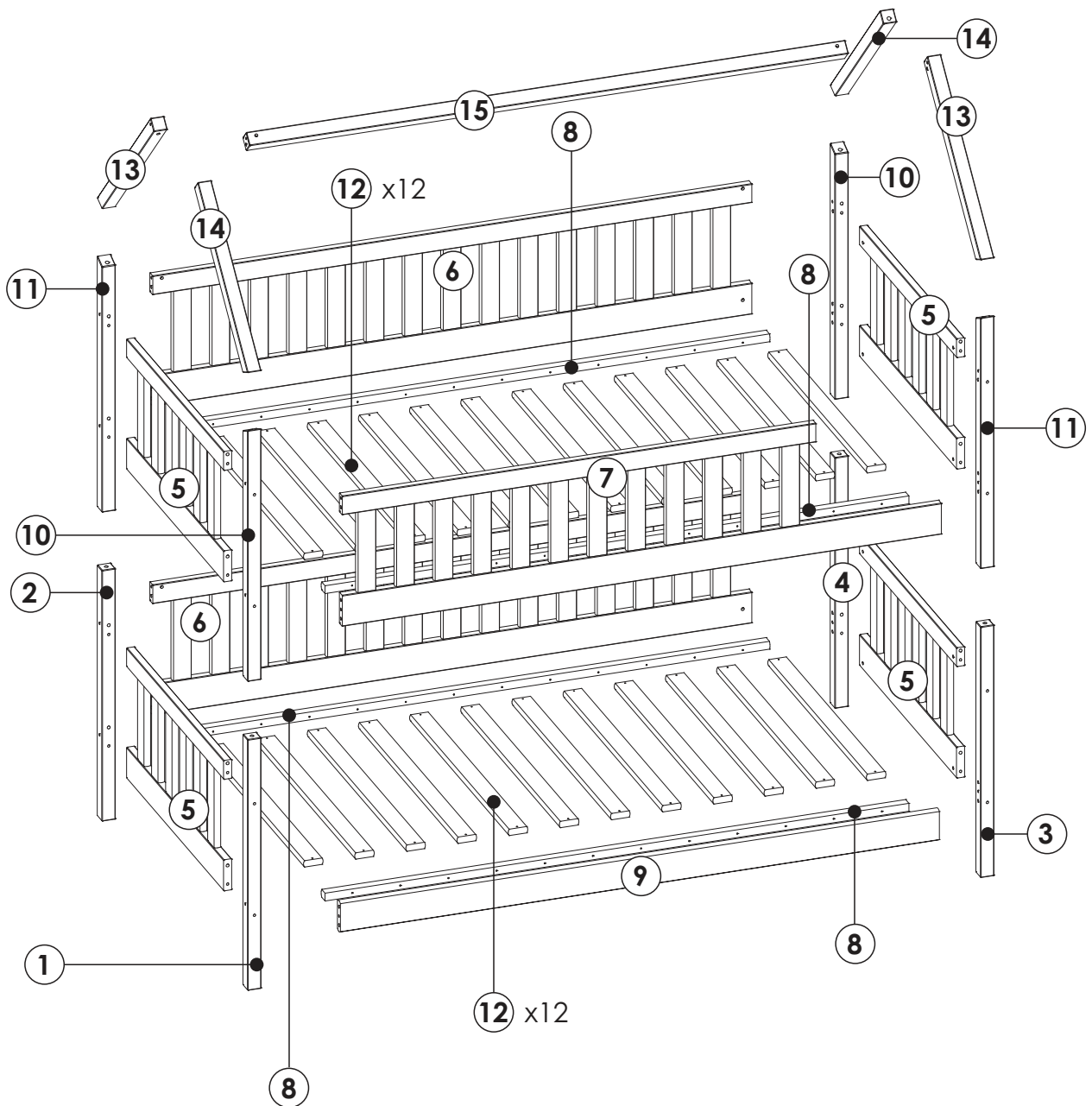
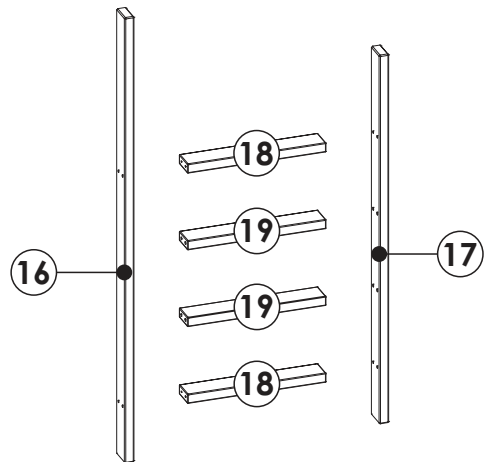
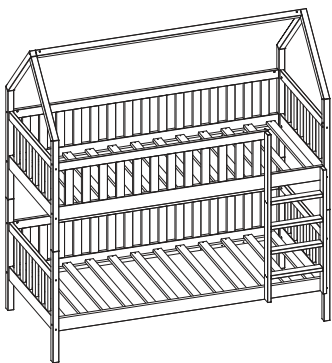


MIESZKO II





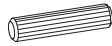
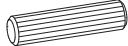
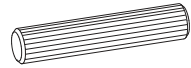




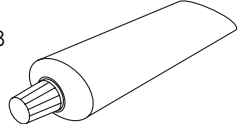


MIESZKO II



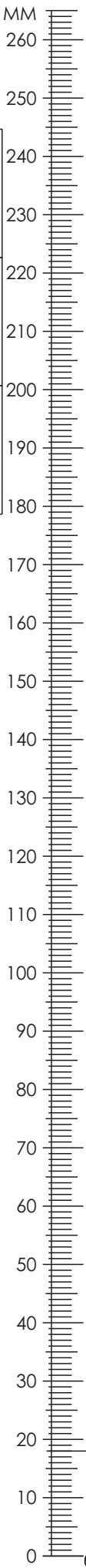
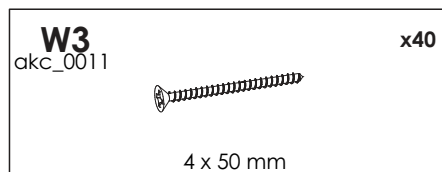
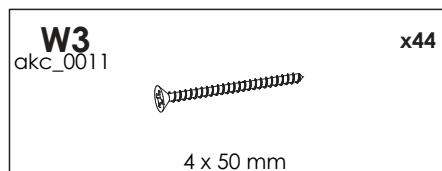
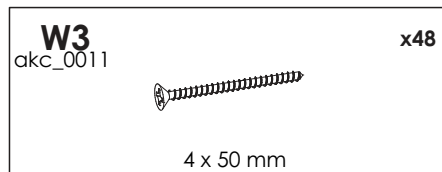
MIESZKO II

DPL 1	864	45	45	x1	MNDPL_01550
DTL 2	864	45	45	x1	MNDTL_01530
DPP 3	864	45	45	x1	MNDPP_01560
DTP 4	864	45	45	x1	MNDTP_01540
PBP 5	685, 785, 885	449	27	x4	PS_00470 DP_00480 DPT65_01110
PDT 6	1390, 1590, 1690, 1790, 1890, 1990	449	27	x2	PS_00470 DPDC_00670 DPDC_00680
PDP 7	1390, 1590, 1690, 1790, 1890, 1990	449	27	x1	PS_00470 DPDC_00670 DPDC_00680
LS 8	1340, 1540, 1640, 1740, 1840, 1940	35	27	x4	LS_00160
DN 9	1390, 1590, 1690, 1790, 1890, 1990	107	27	x1	DN_00110
NGL 10	864	45	45	x2	MNGL_01570
NGP 11	864	45	45	x2	MNGP_01580
DS 12	700, 800, 900	65	22	x24	DS_00170
DBD 13	689	45	45	x2	DDBD_01290
DBK 14	644	45	45	x2	DDBK_01300
DP 15	1390, 1590, 1690, 1790, 1890, 1990	45	45	x1	DDP_01310
P4S 16	1305	65	27	x1	DDP4S_00630
P4S 17	965	65	27	x1	DDP4S_00620
DSS 18	390	65	27	x2	DSS_00210
DSK 19	390	65	27	x2	DSK_00220

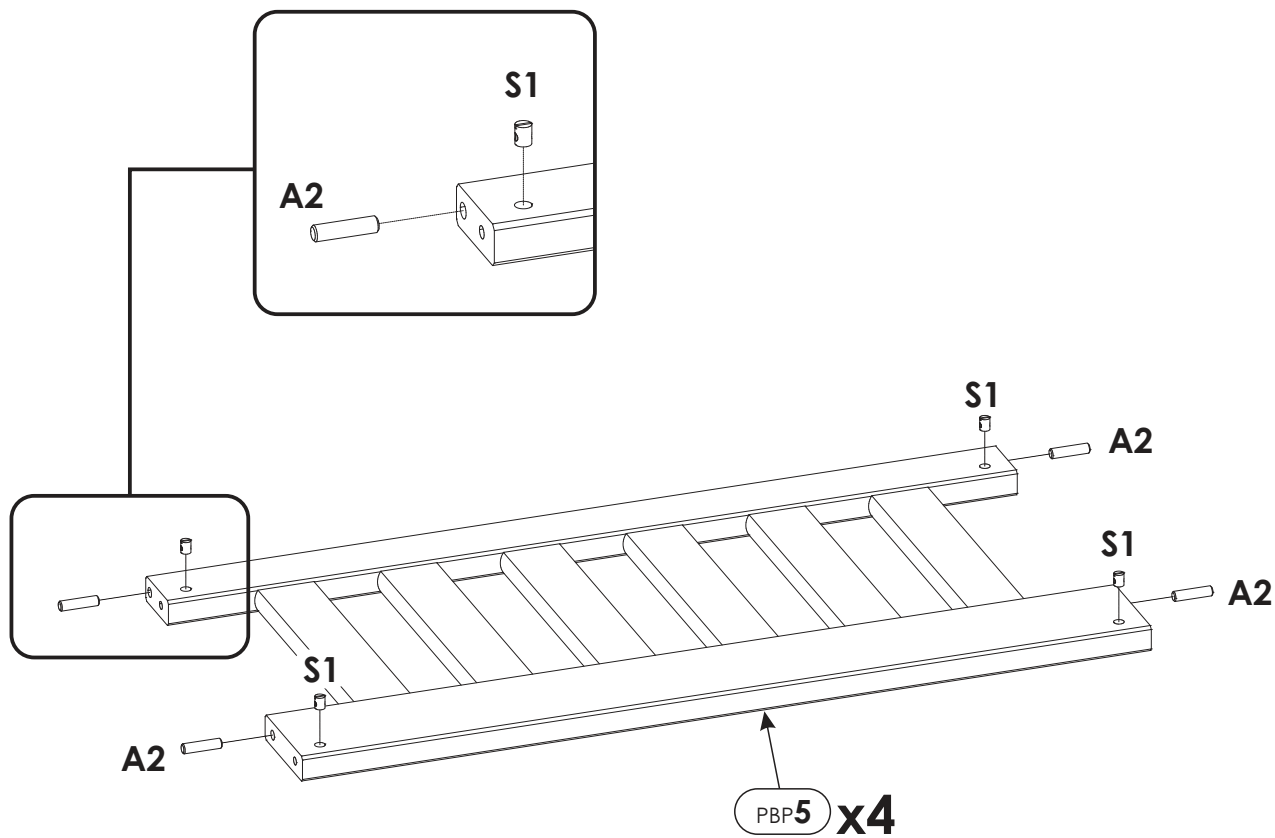
MIESZKO II

A1 akc_0001  8 x 35 mm x8	A2 akc_0002  10 x 40 mm x39	A3 akc_0003  12 x 60 mm x10
K1 akc_0004  6,4 x 50 mm x8	M akc_0005  x1	N1 akc_0006  6 x 80 mm x31
S1 akc_0008  10 x 16 mm x31	S2 akc_0018  x1	W1 akc_0009  3,5 x 40 mm x48
W4 akc_0012  4 x 60 mm x5		

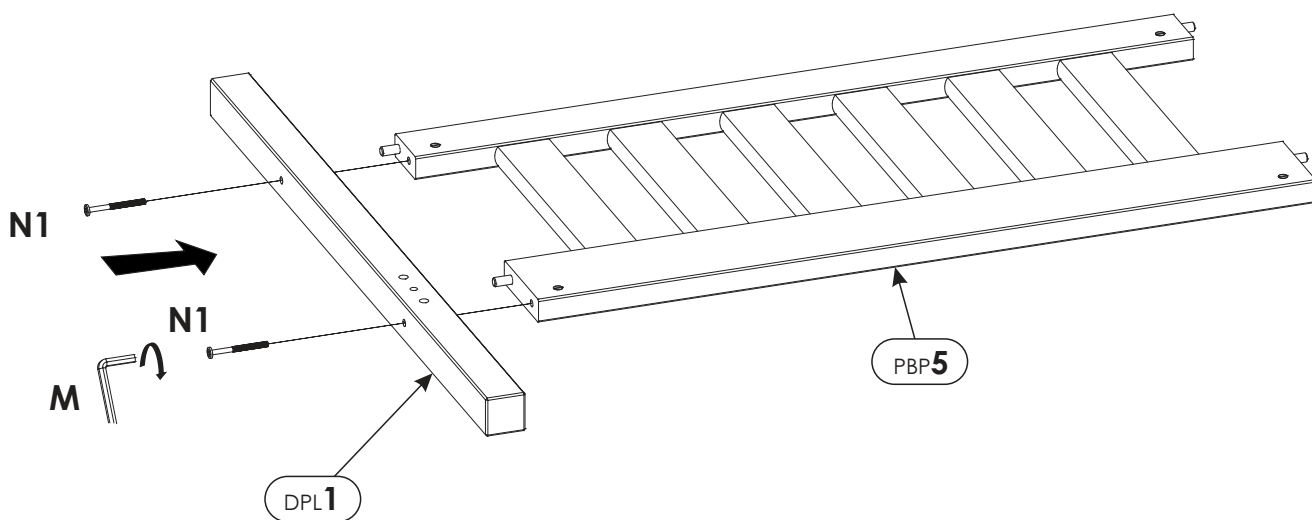
OPTION



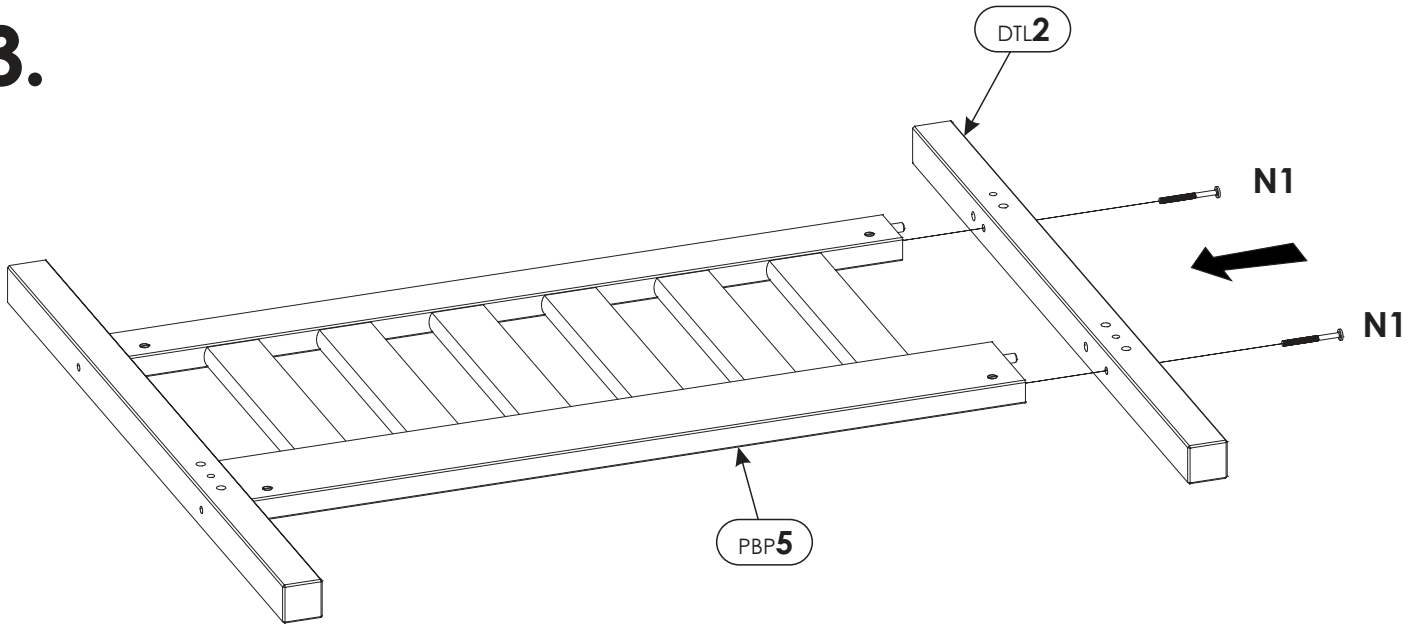
1.



2.

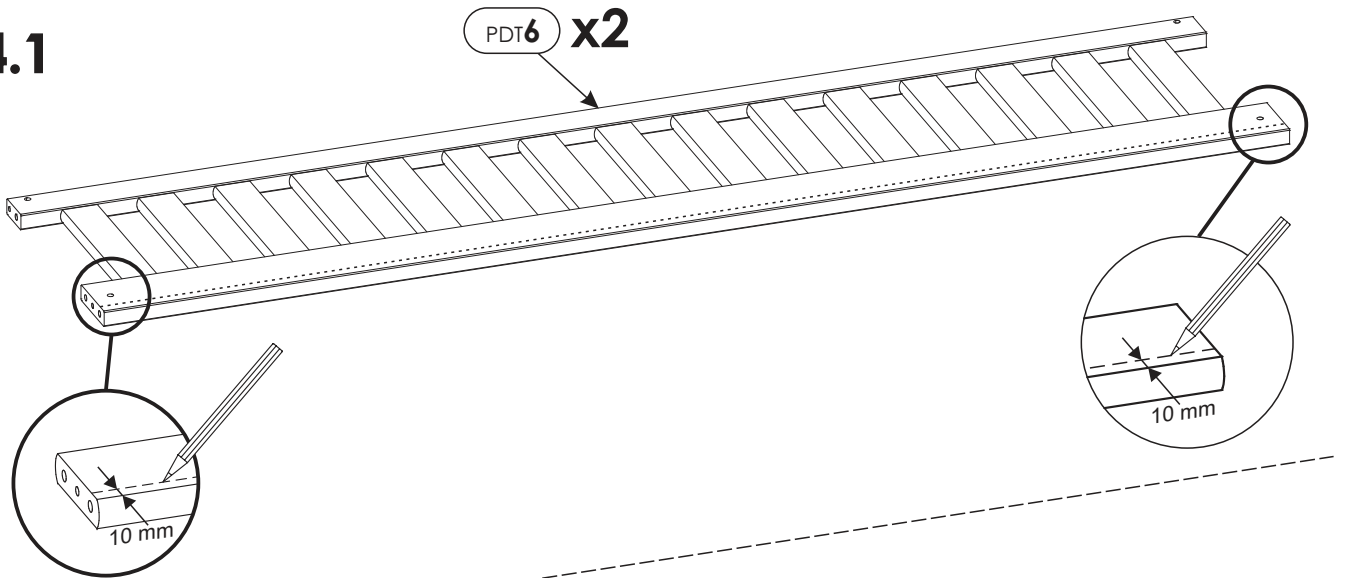


3.

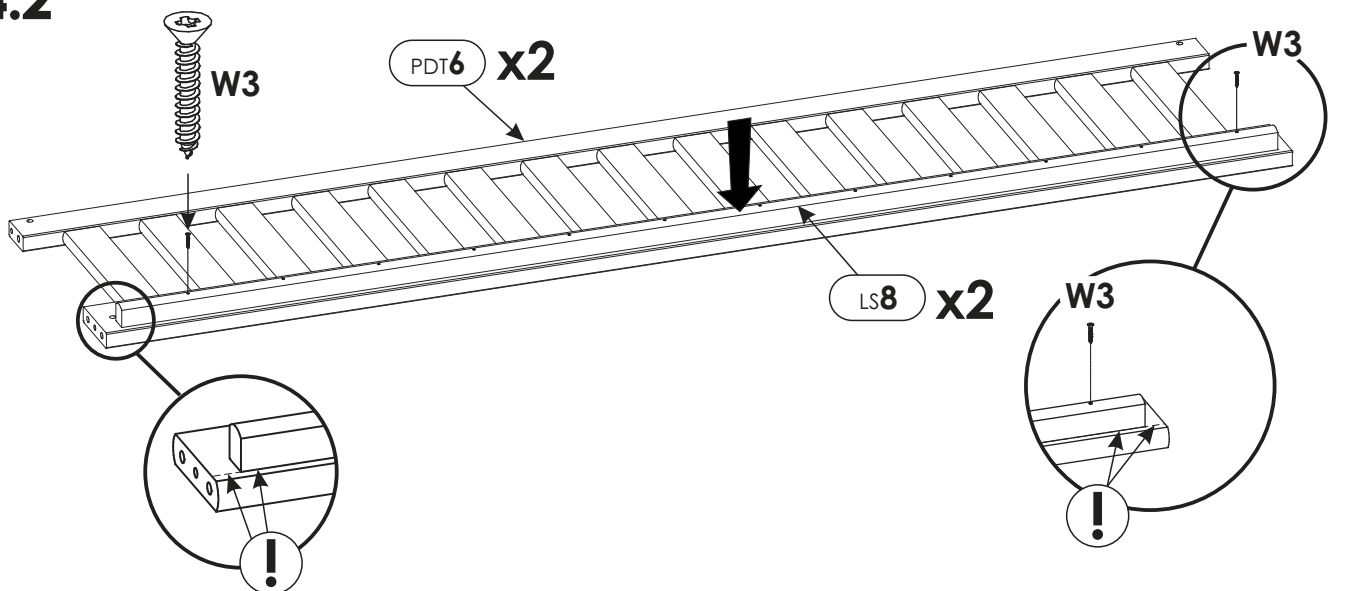


4.

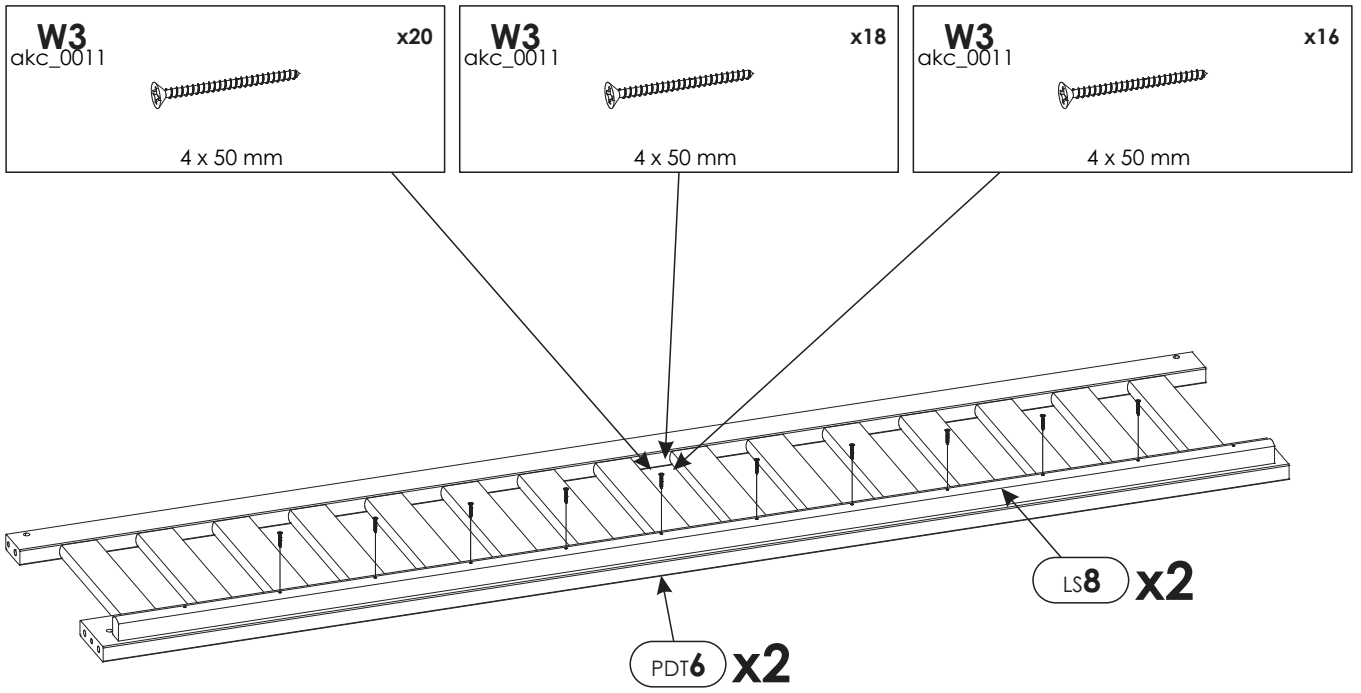
4.1



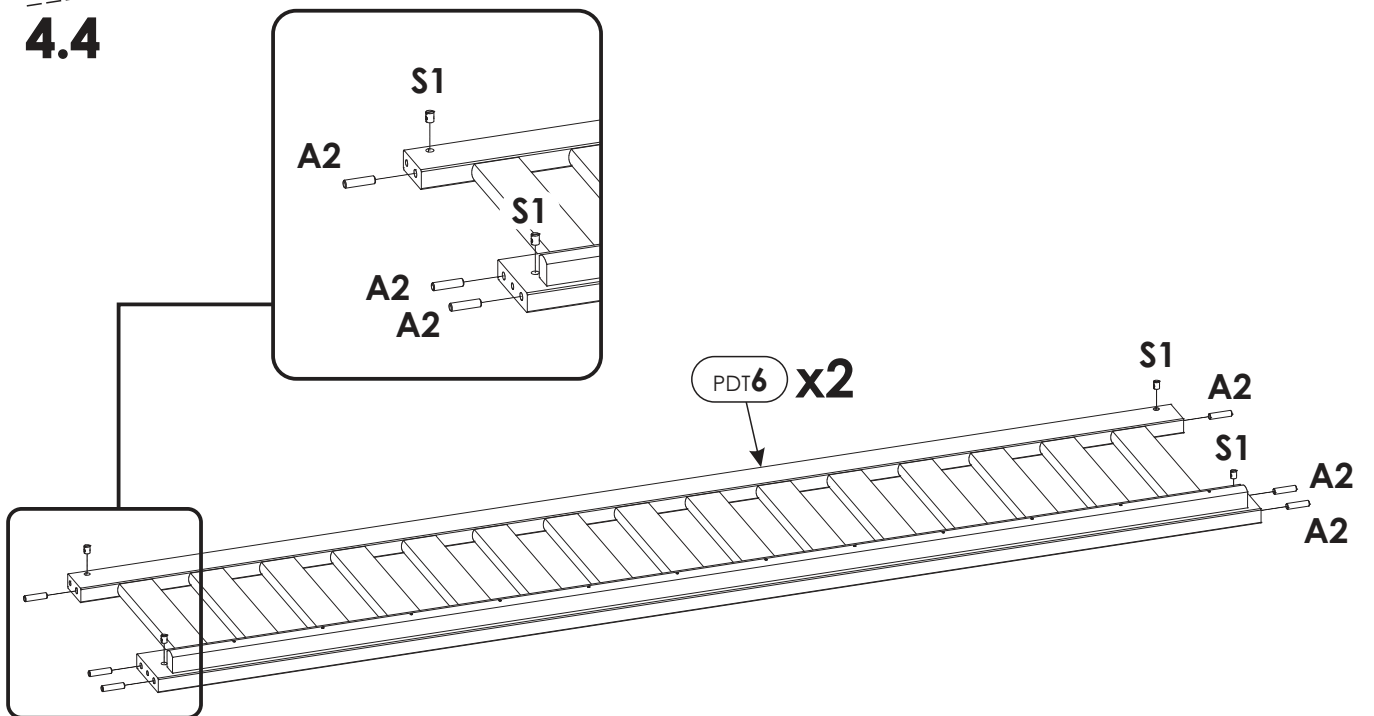
4.2



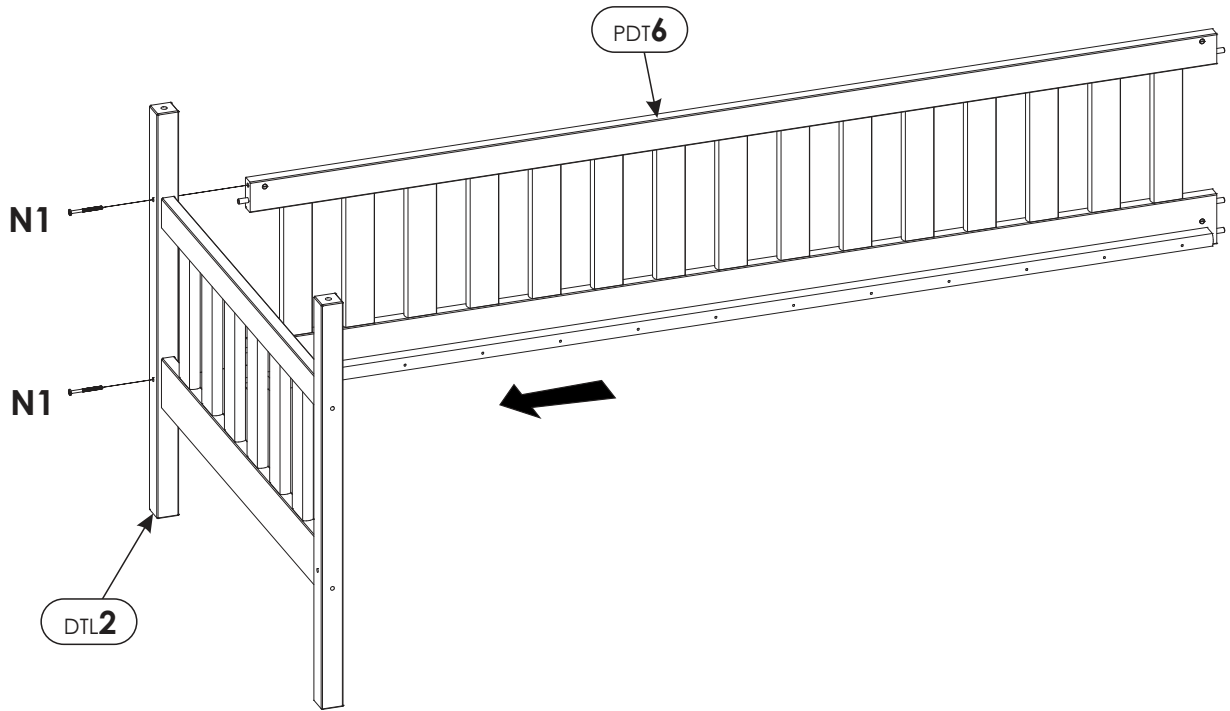

4.3



4.4

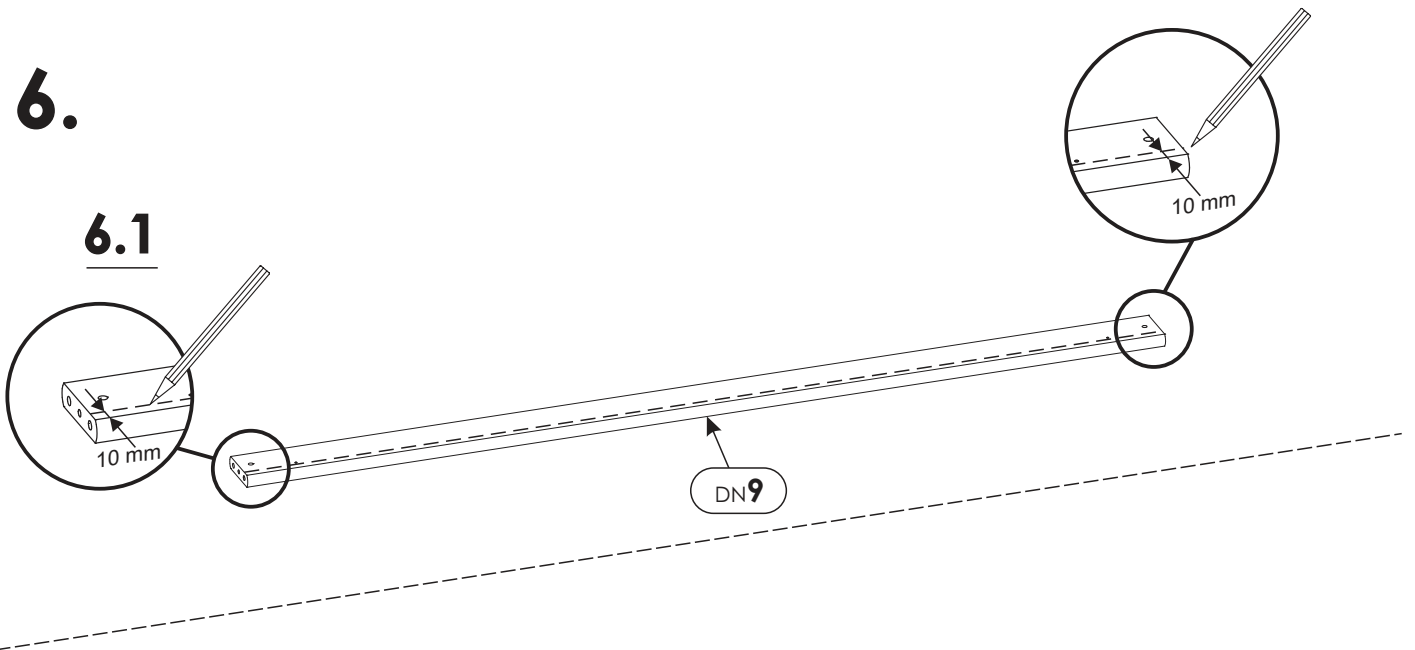


5.

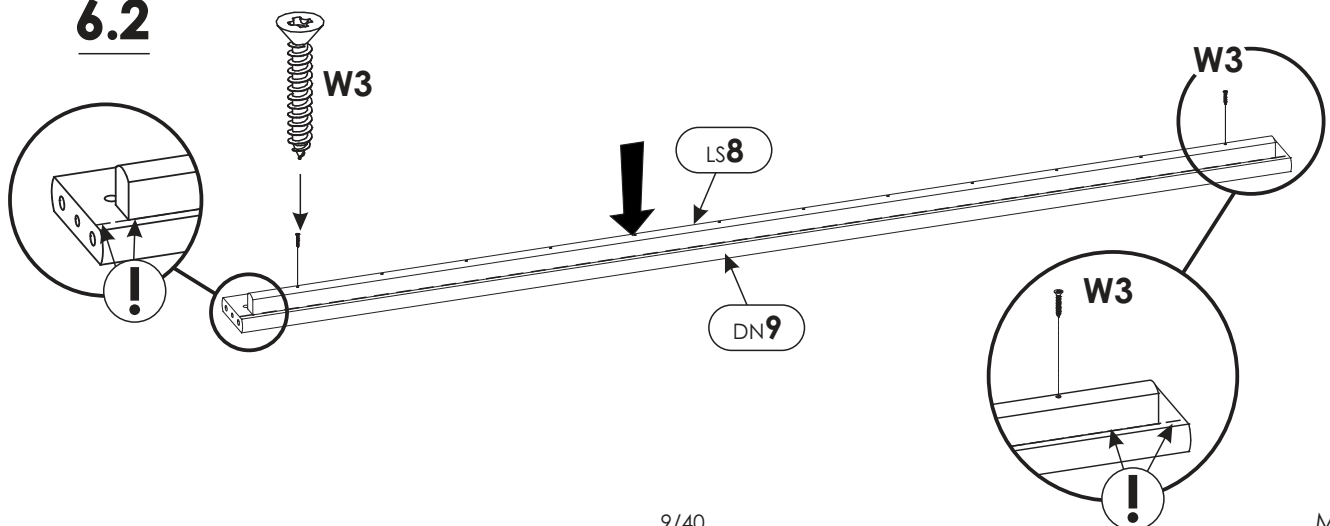


6.

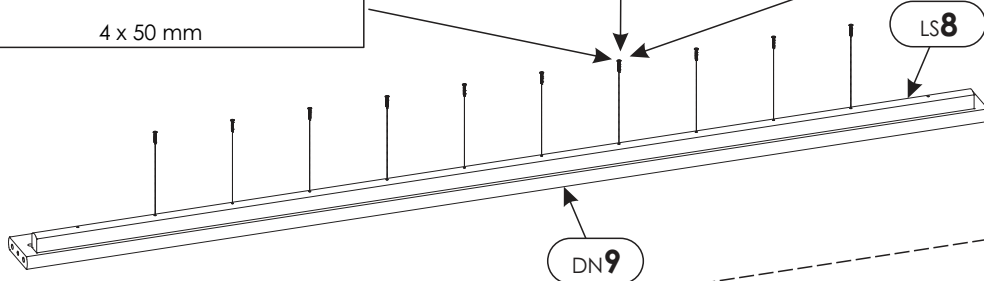
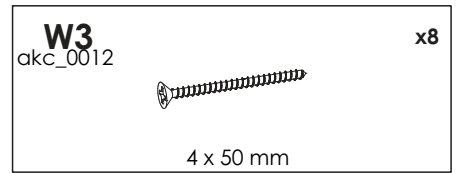
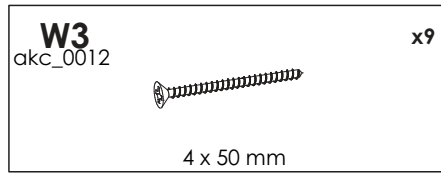
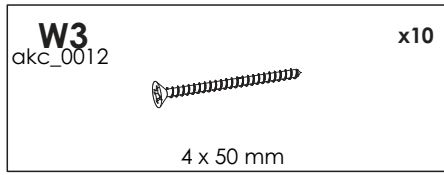
6.1



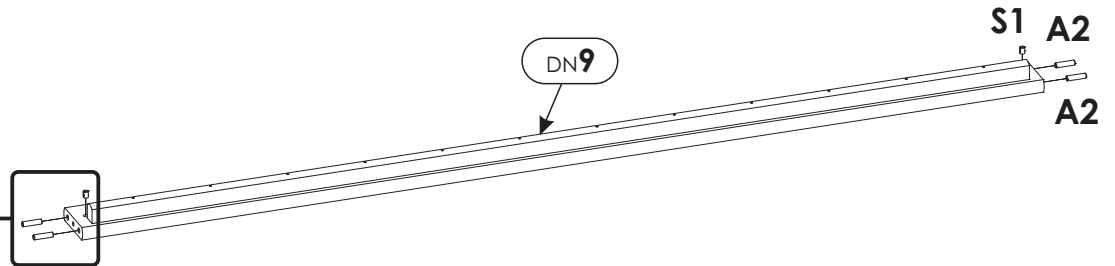
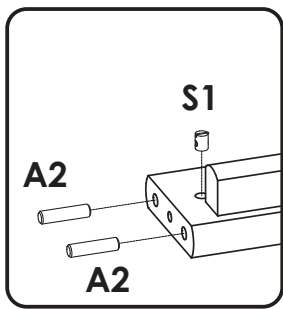
6.2



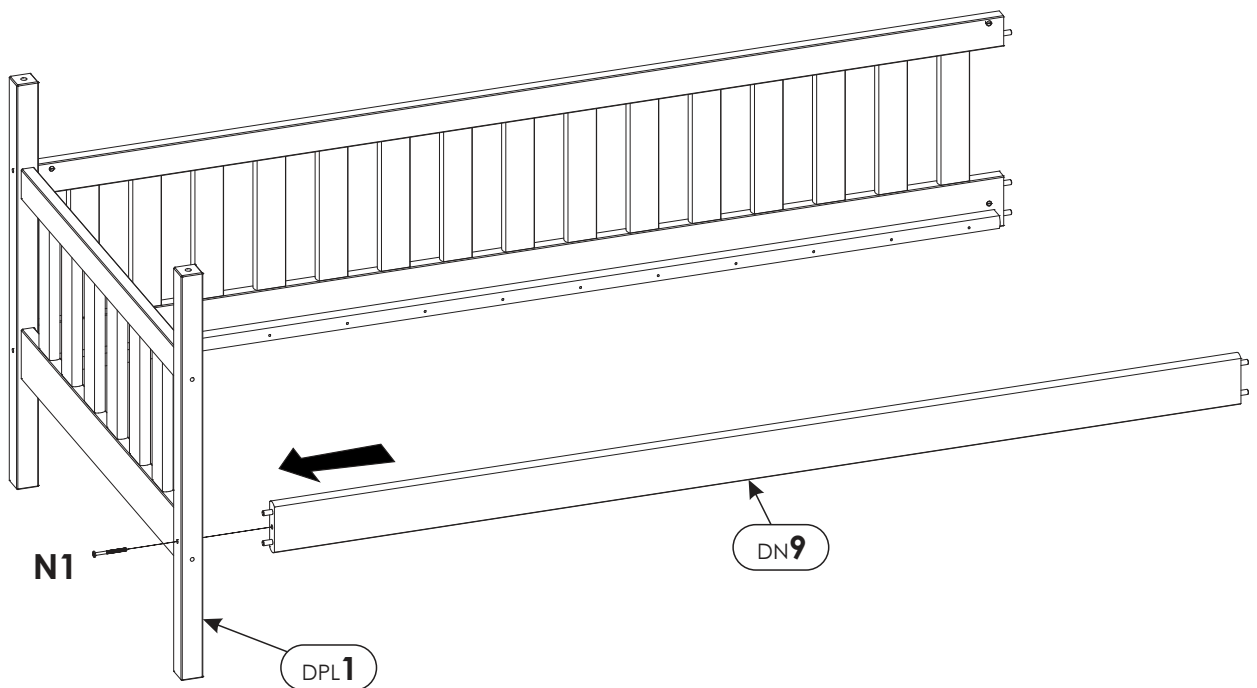
6.3



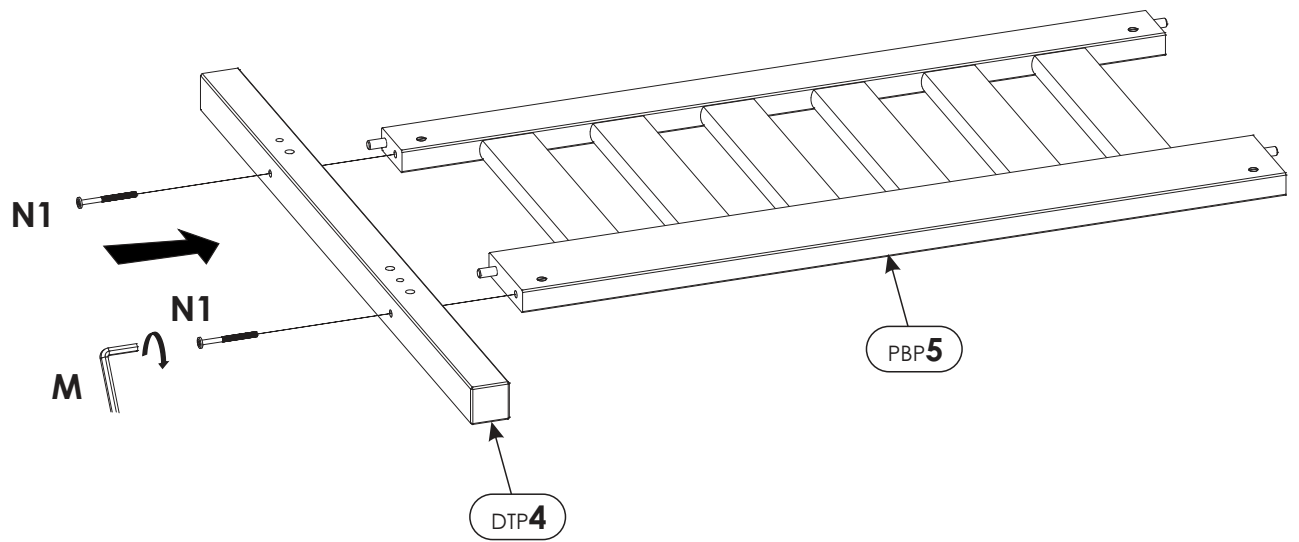
6.4



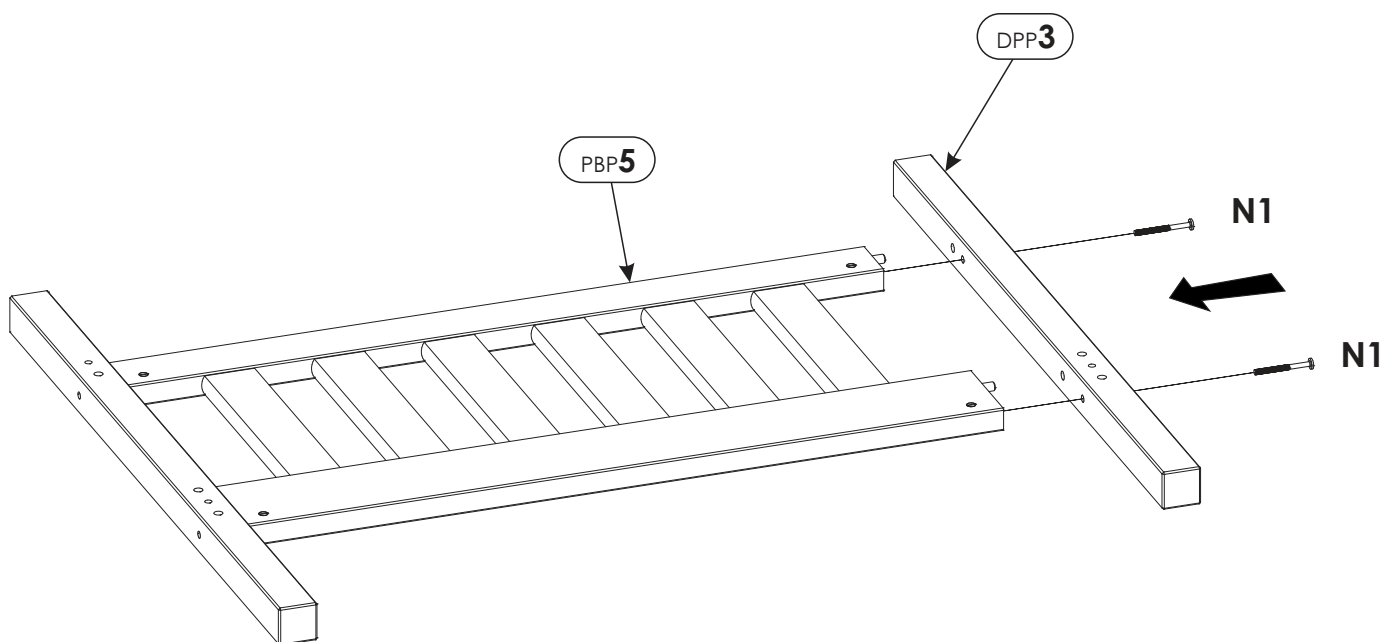
7.



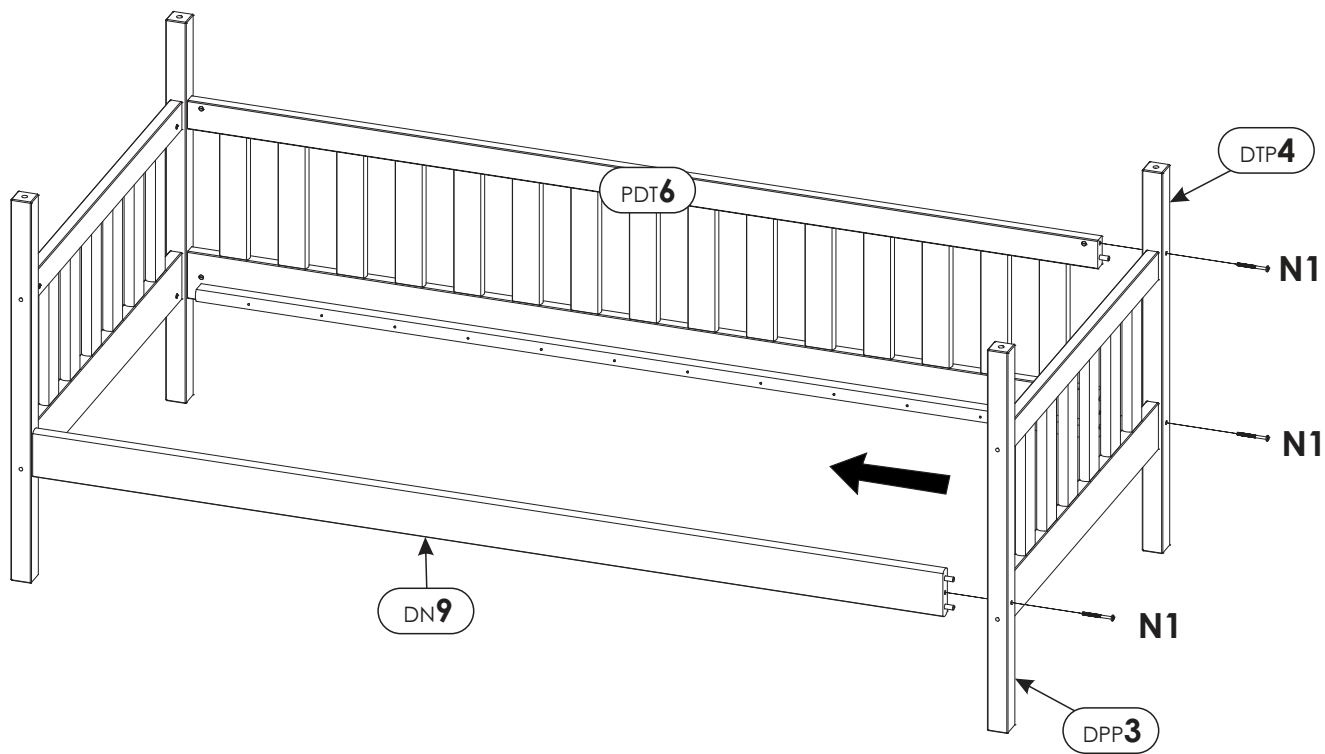
8.



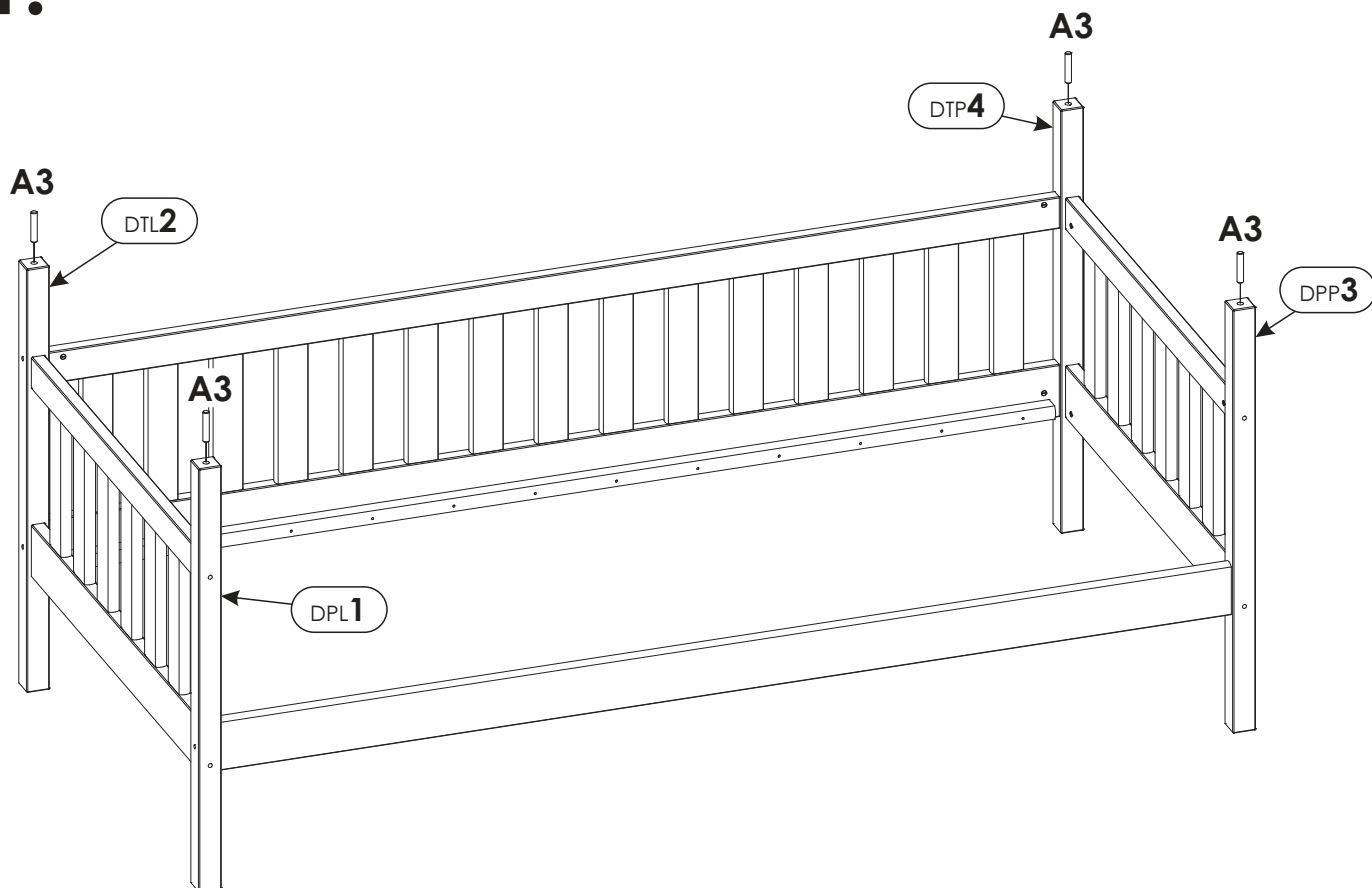
9.



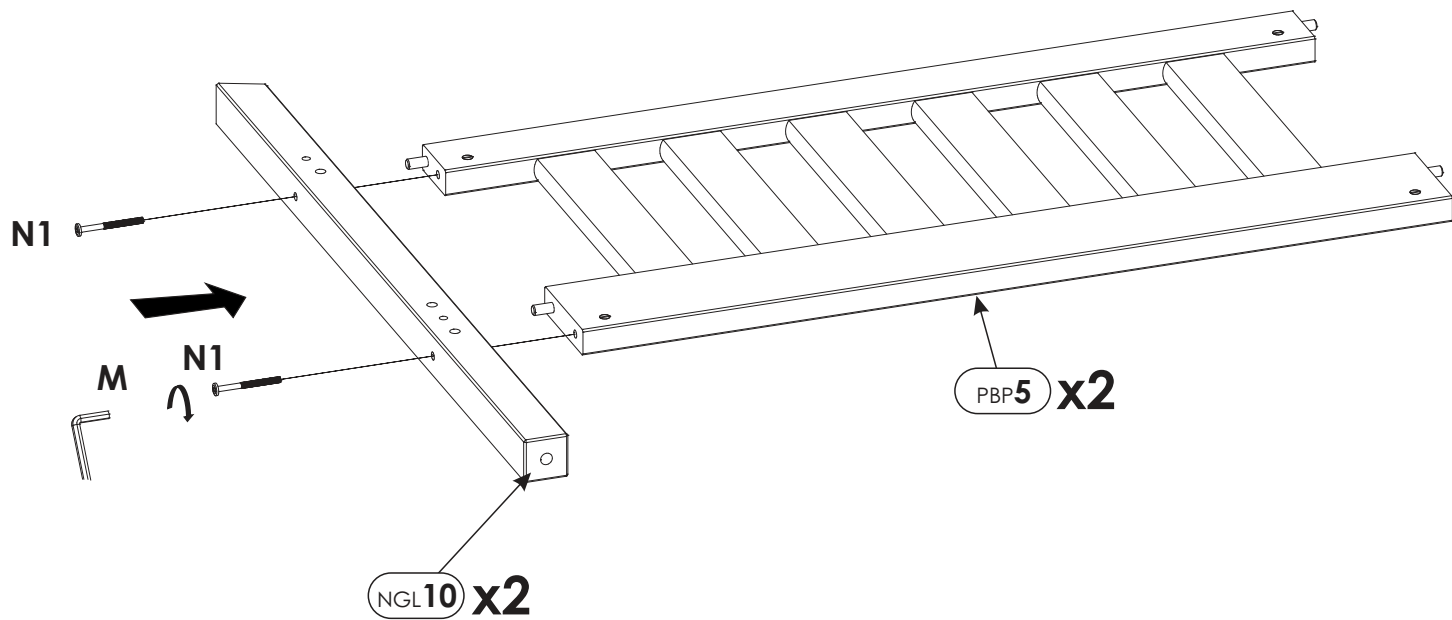
10.



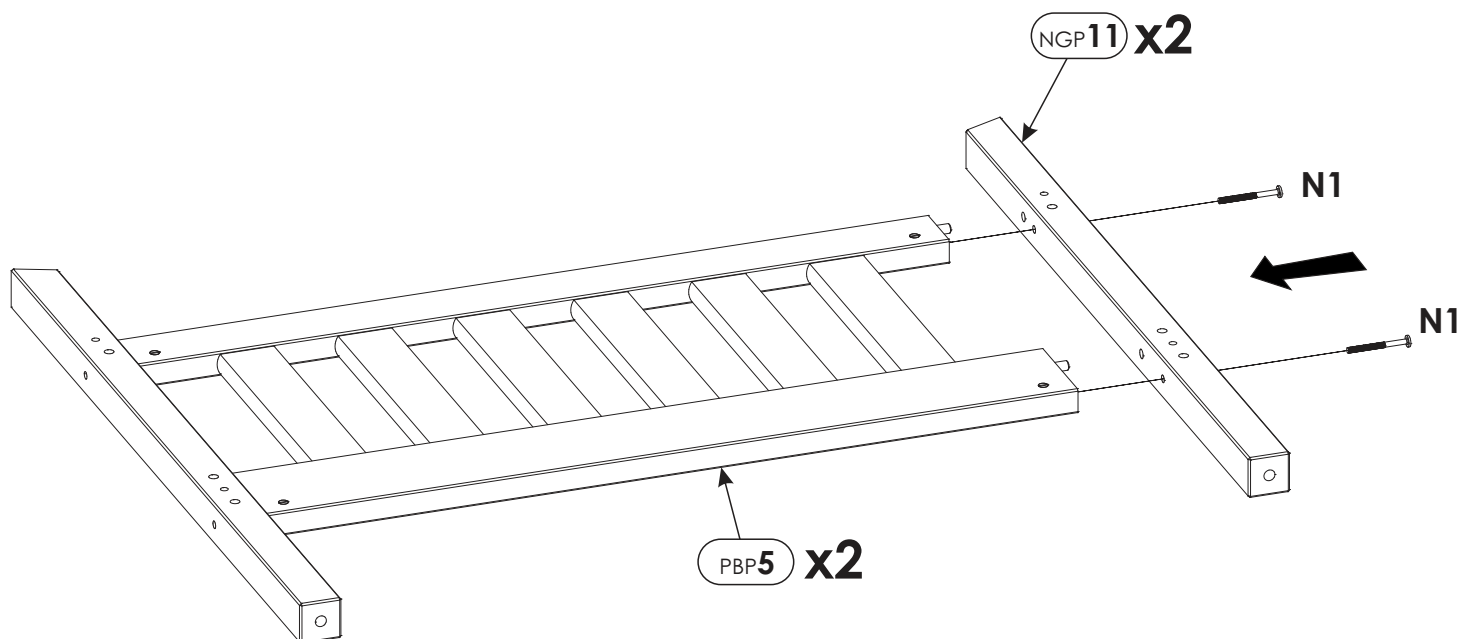
11.



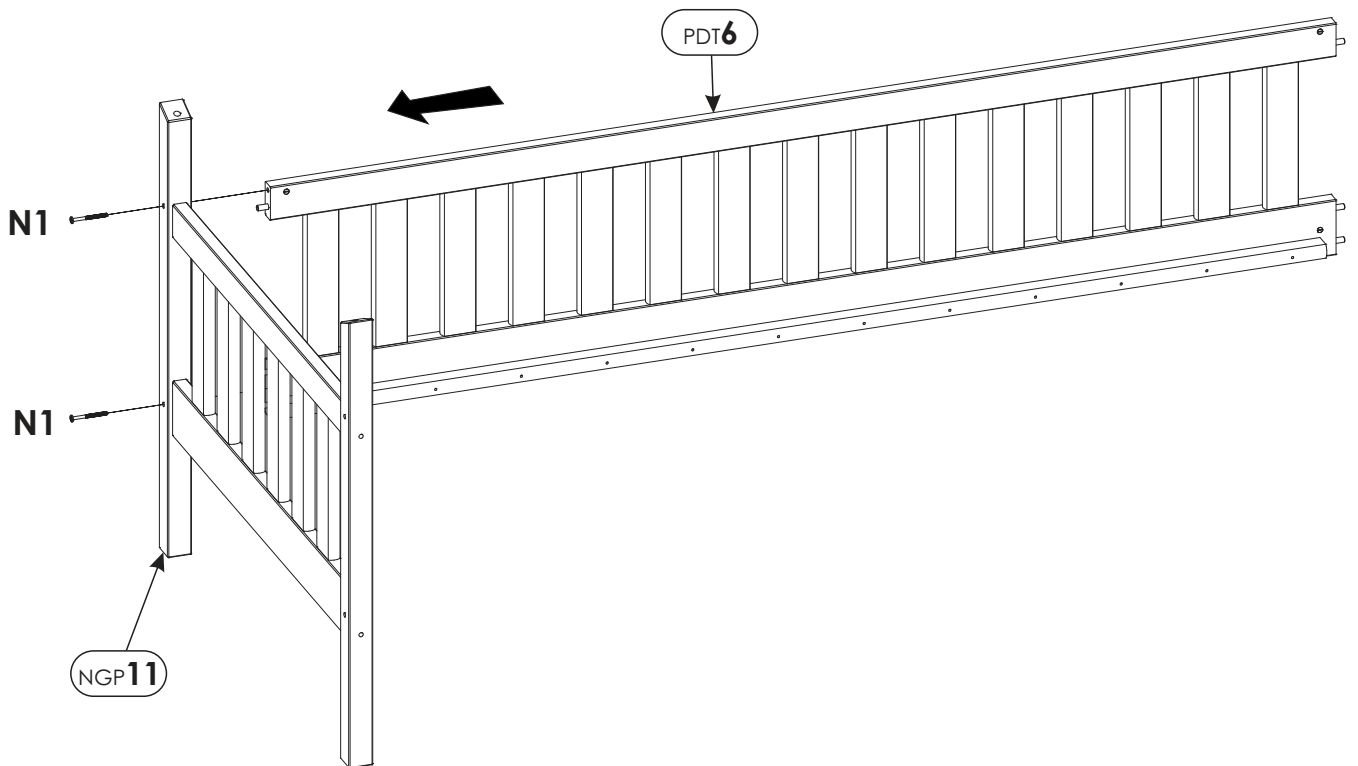
12.



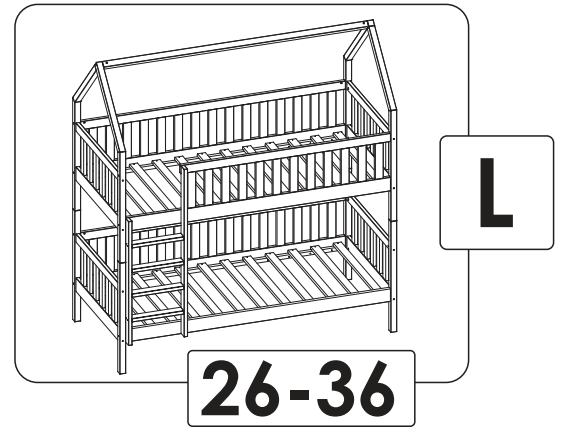
13.



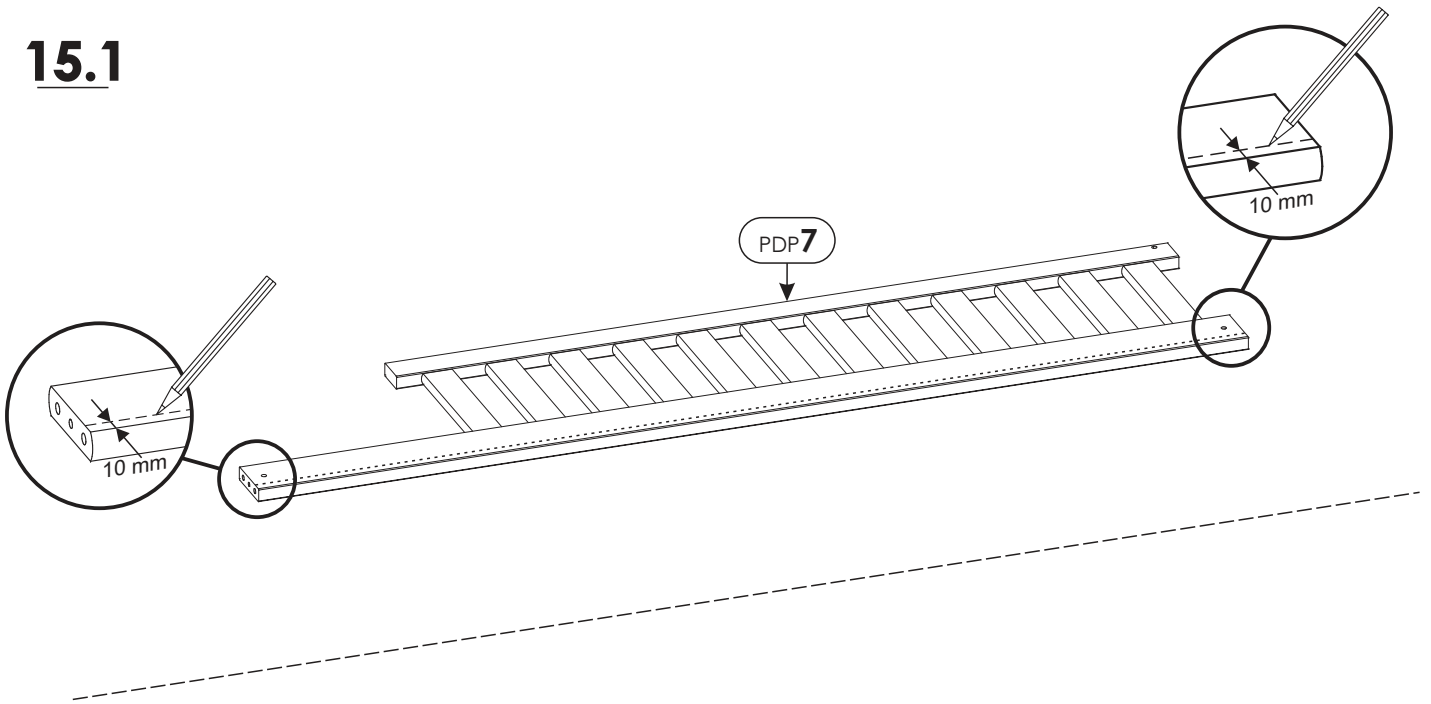
14.



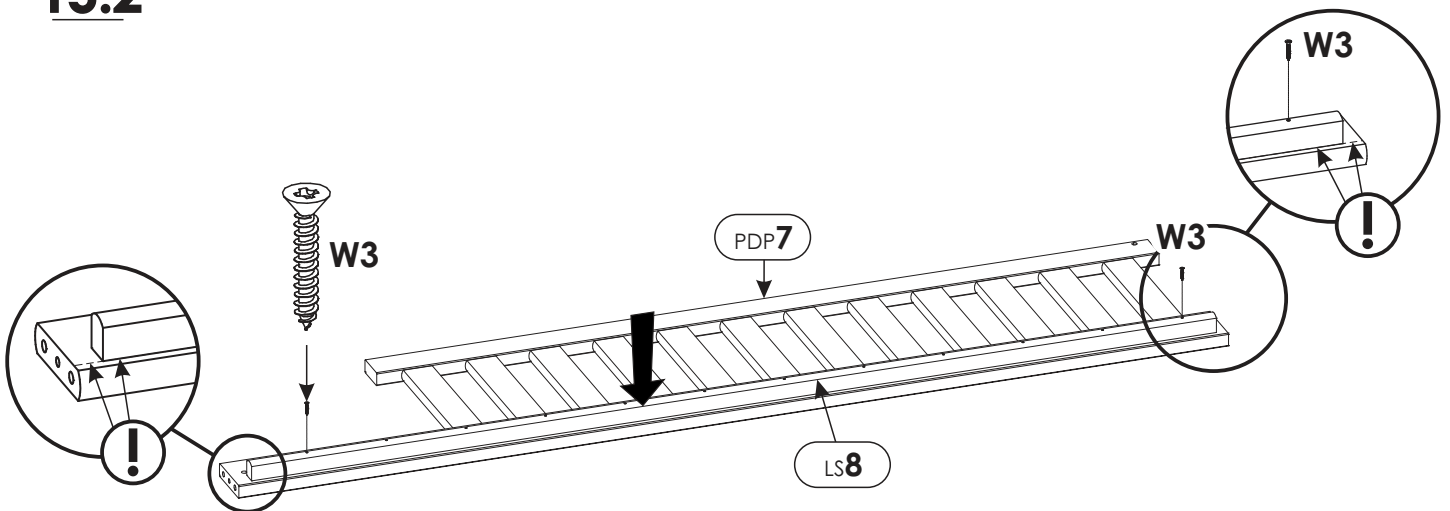
15.



15.1

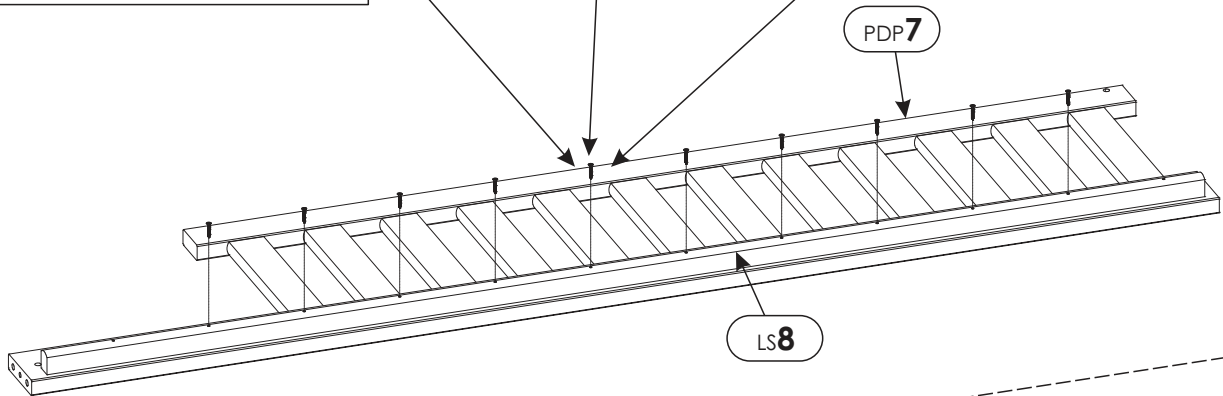
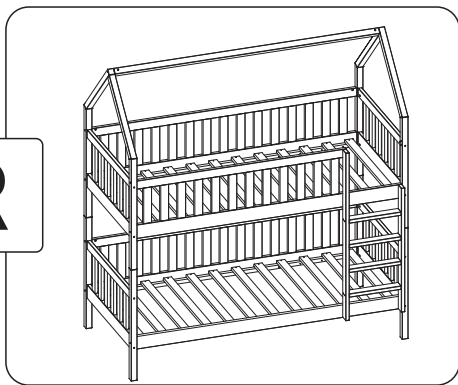


15.2

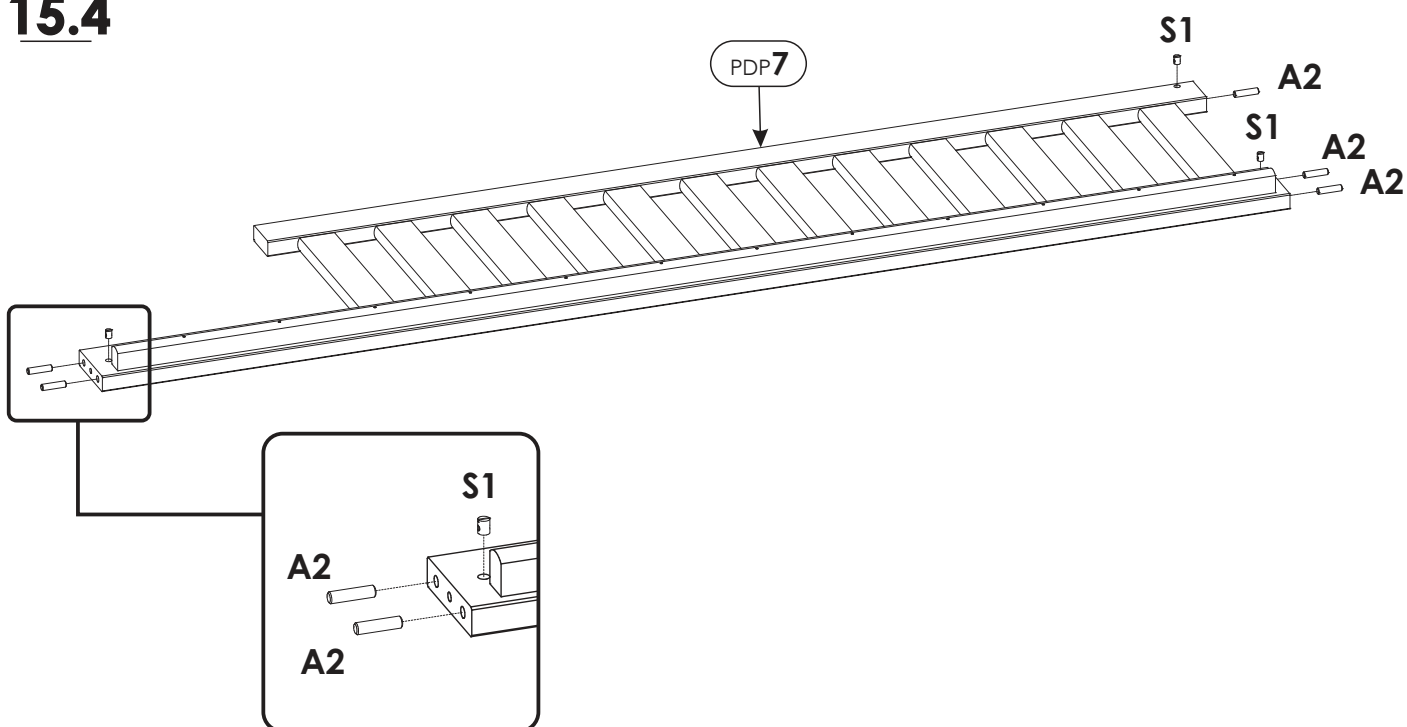


15.3

R



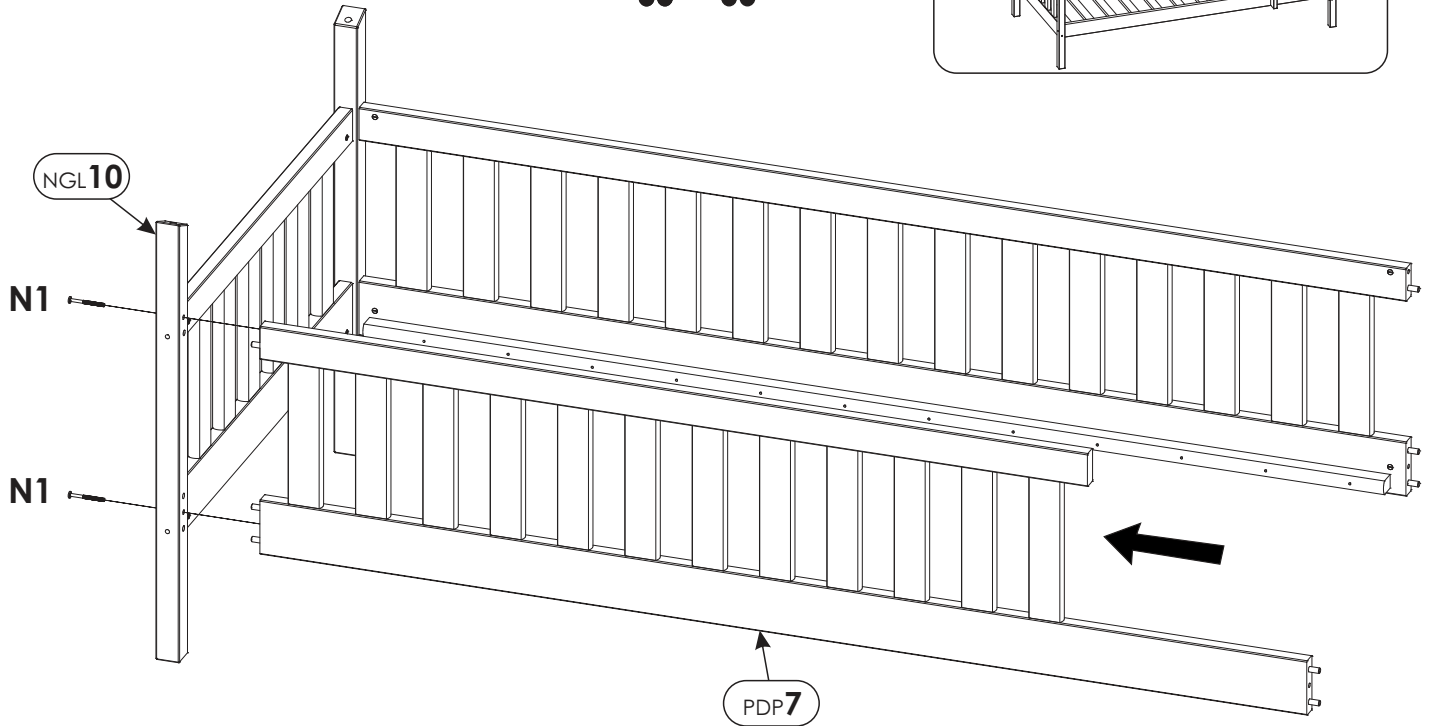
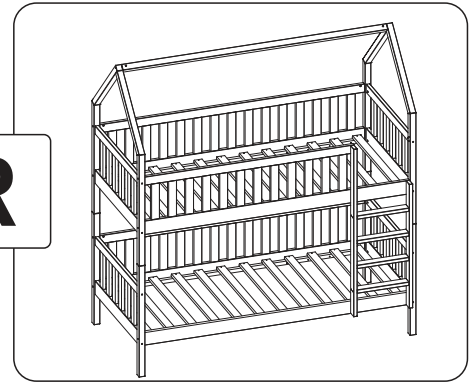
15.4



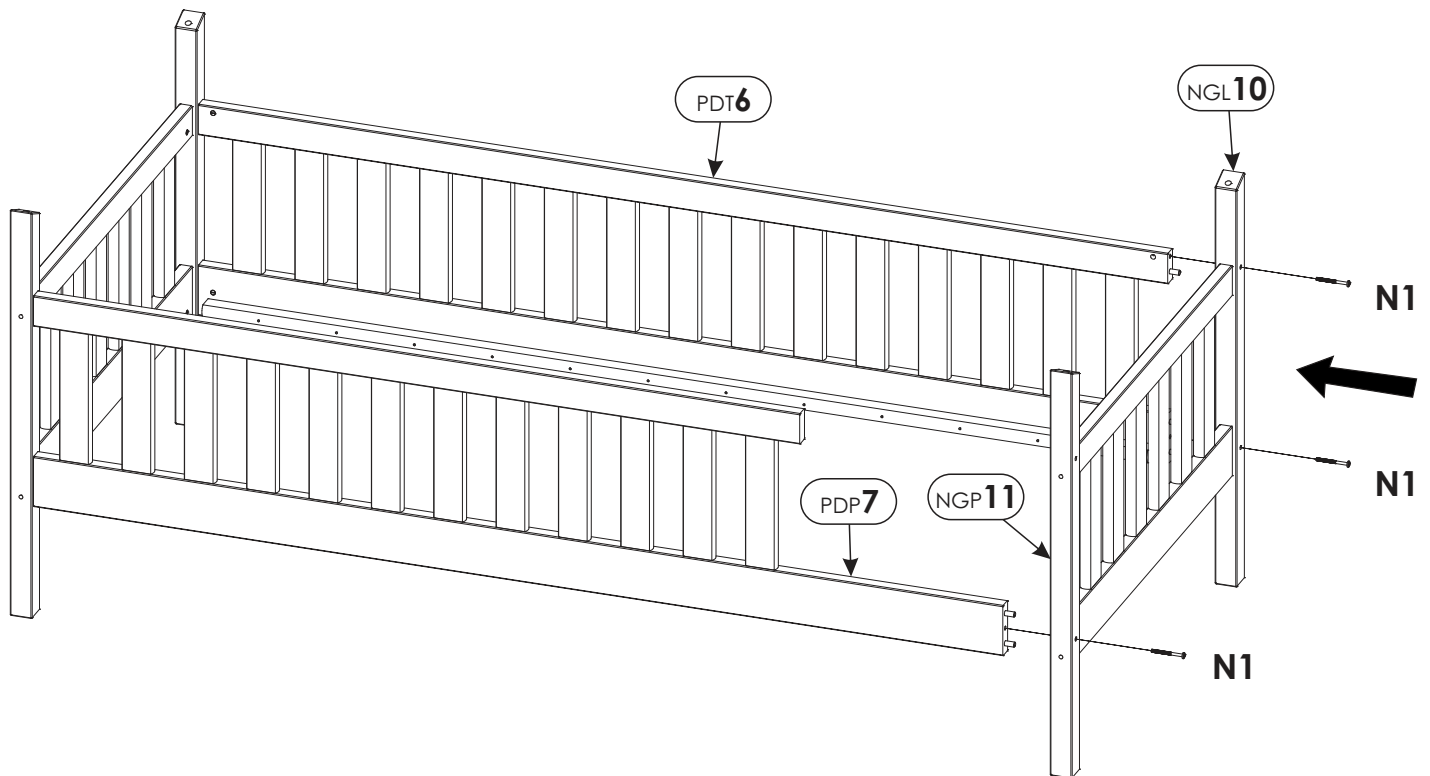
16.



R



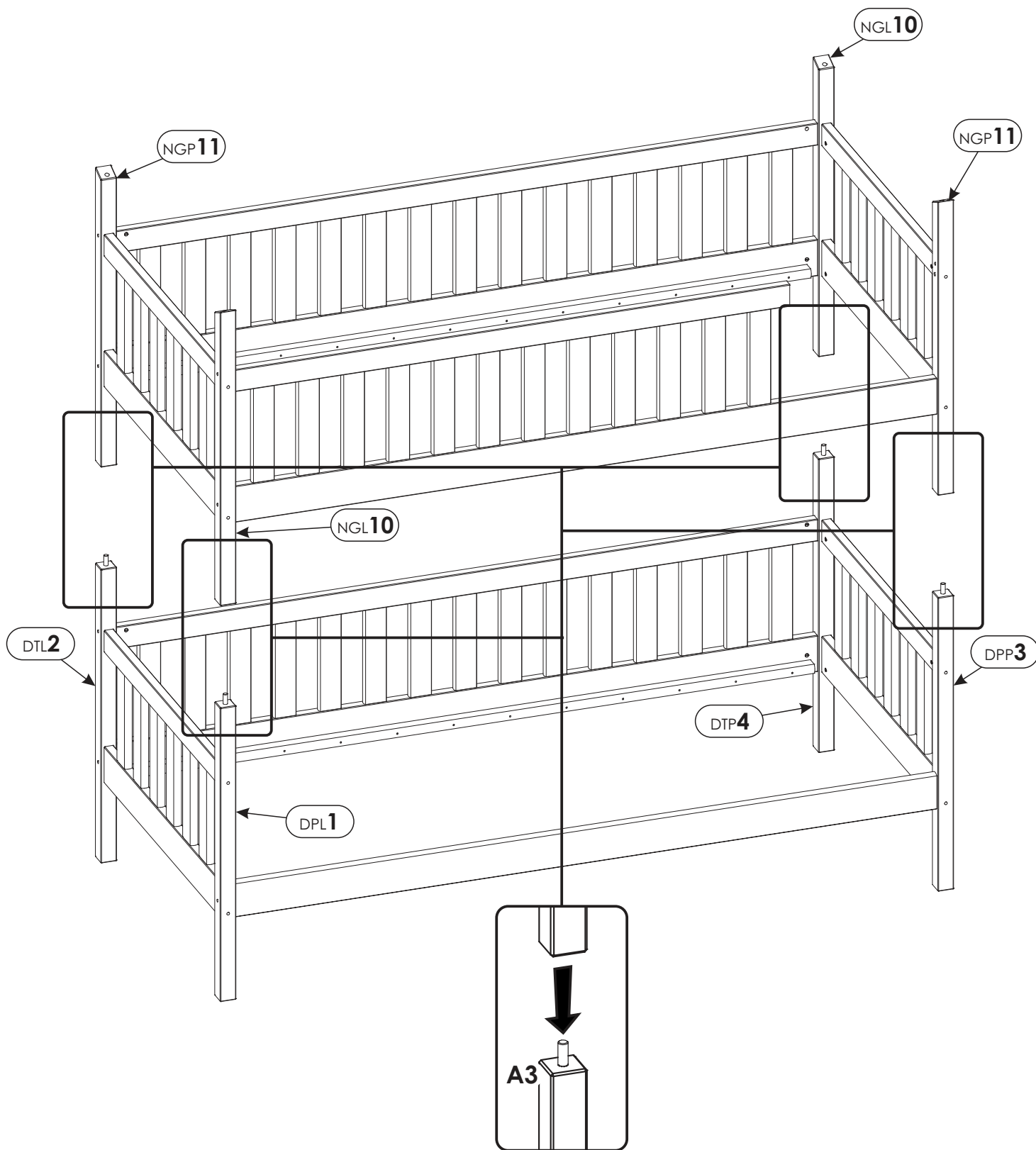
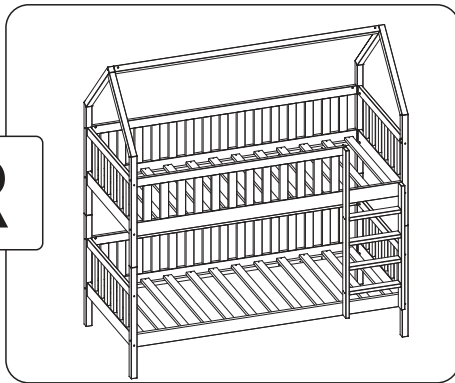
17.



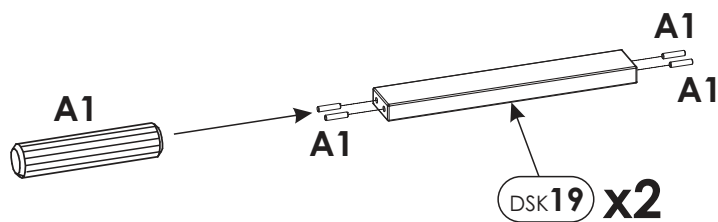
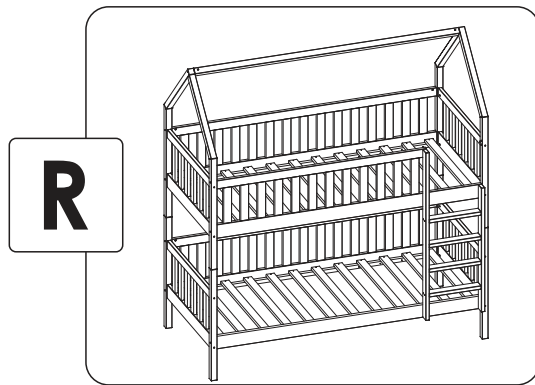
18.



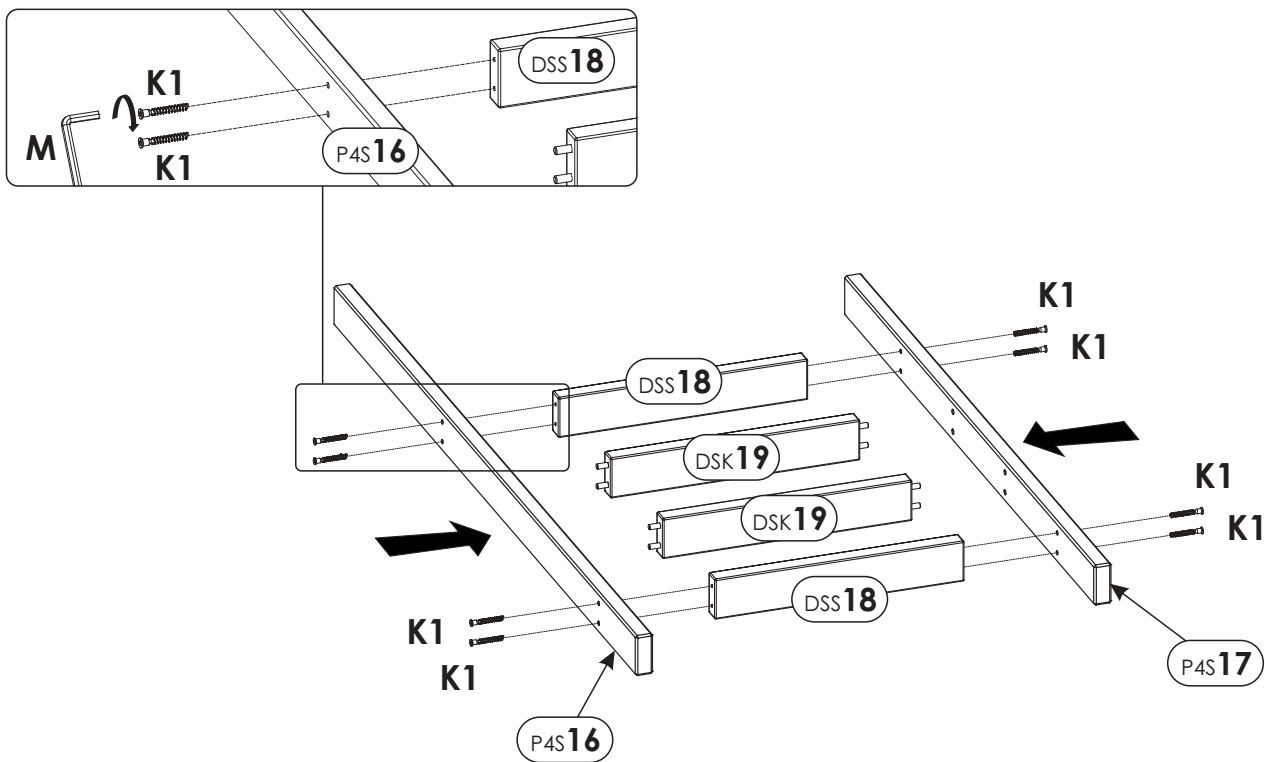
R



19.

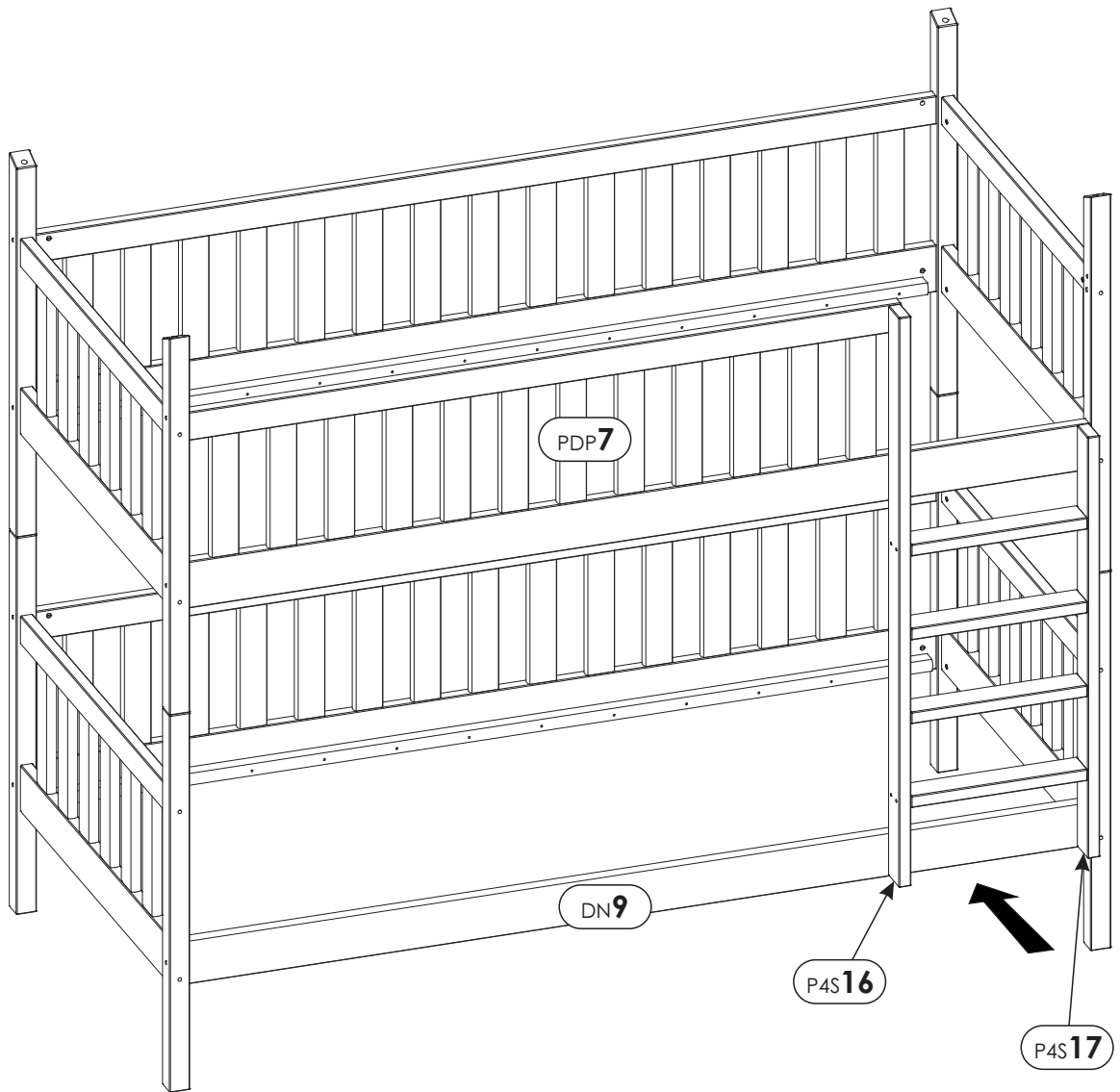
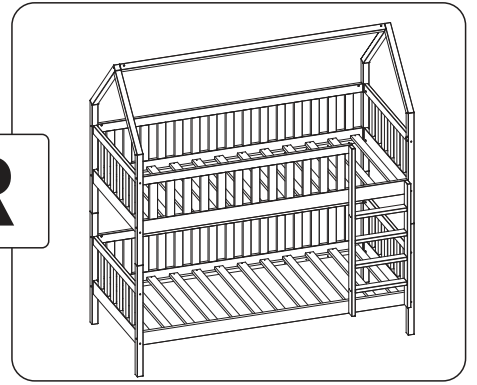


20.

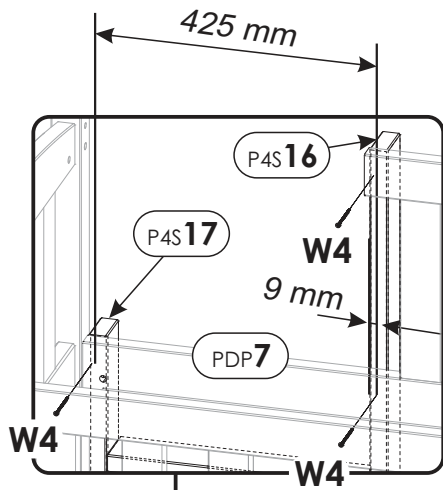


21.

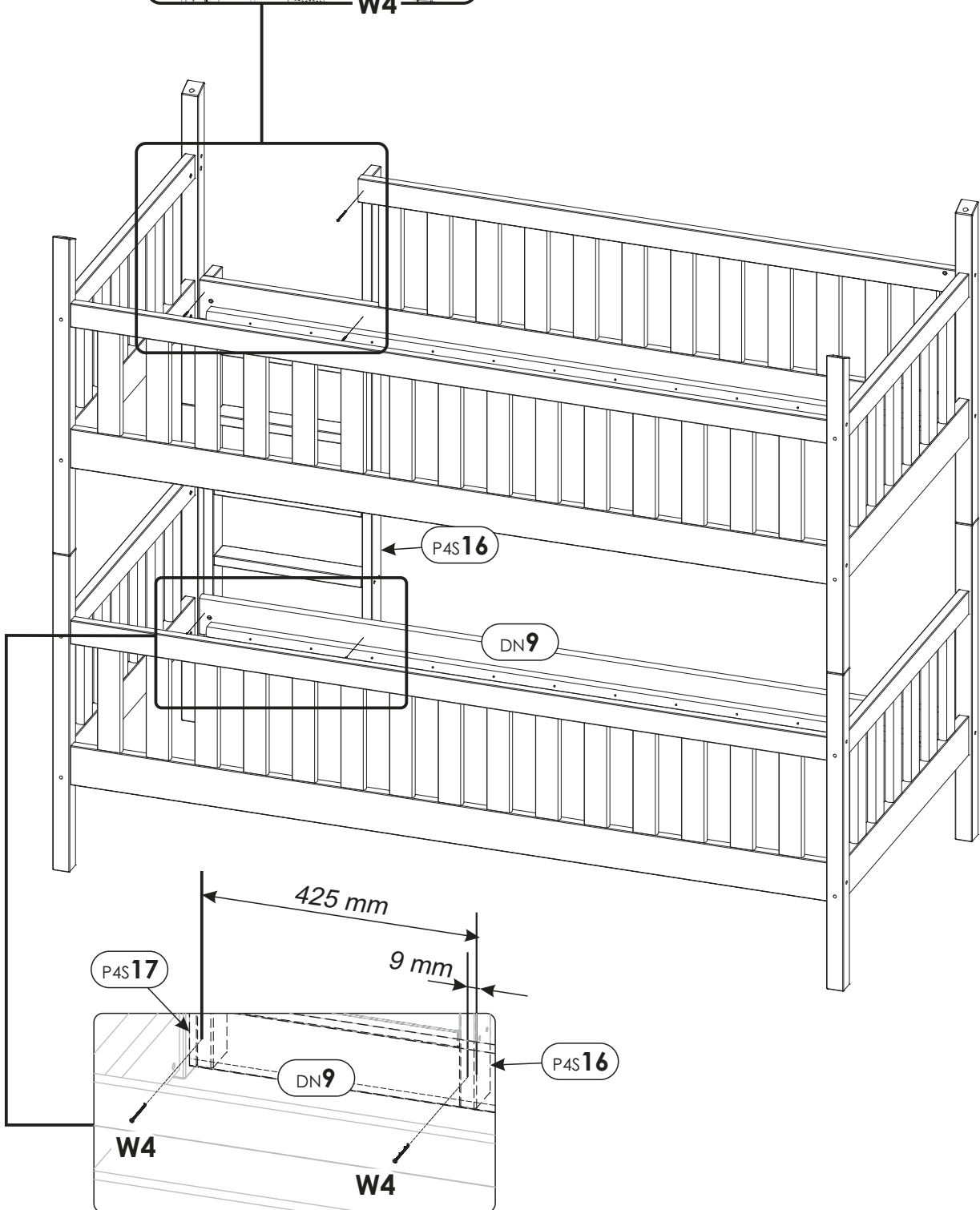
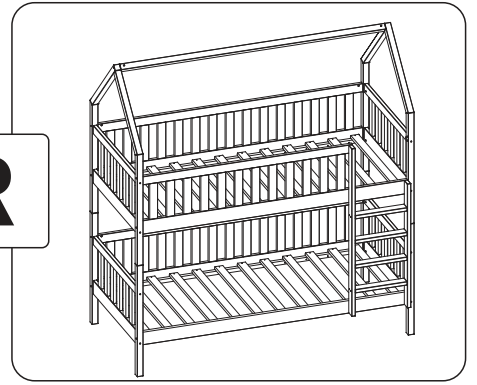
R



22.

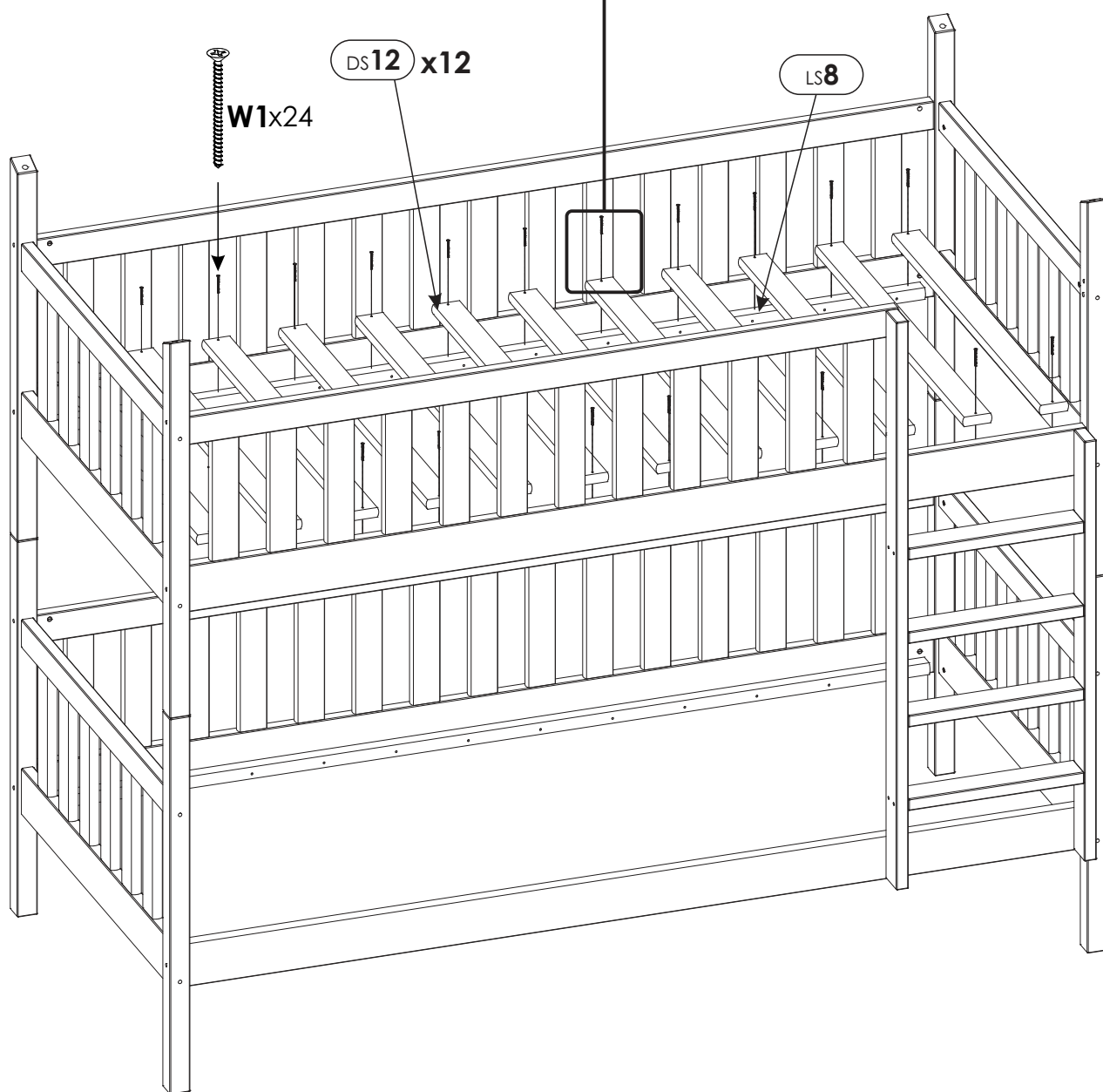
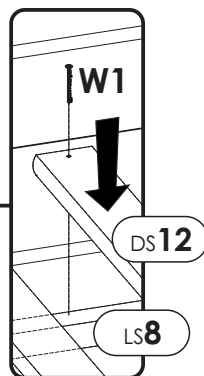
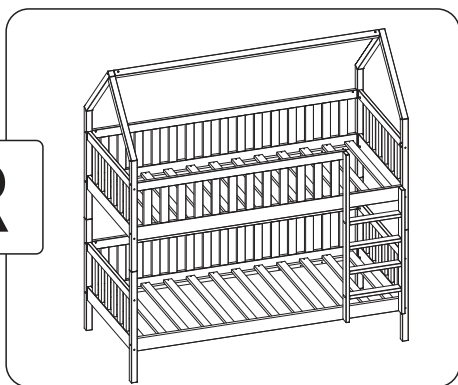


R



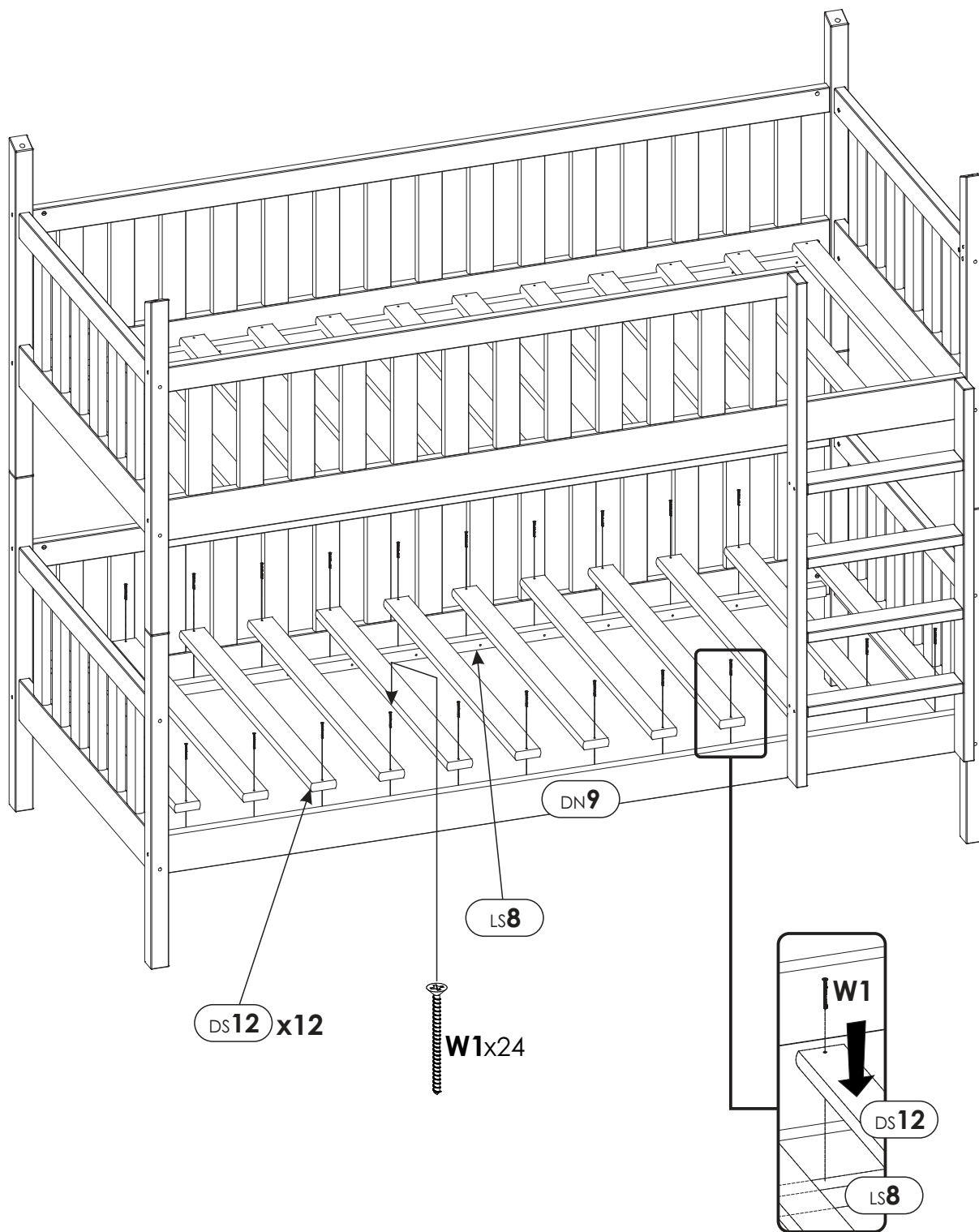
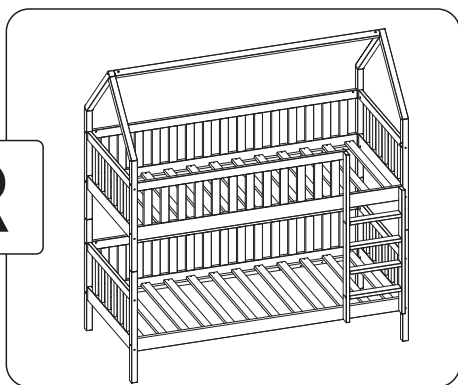
23.

R



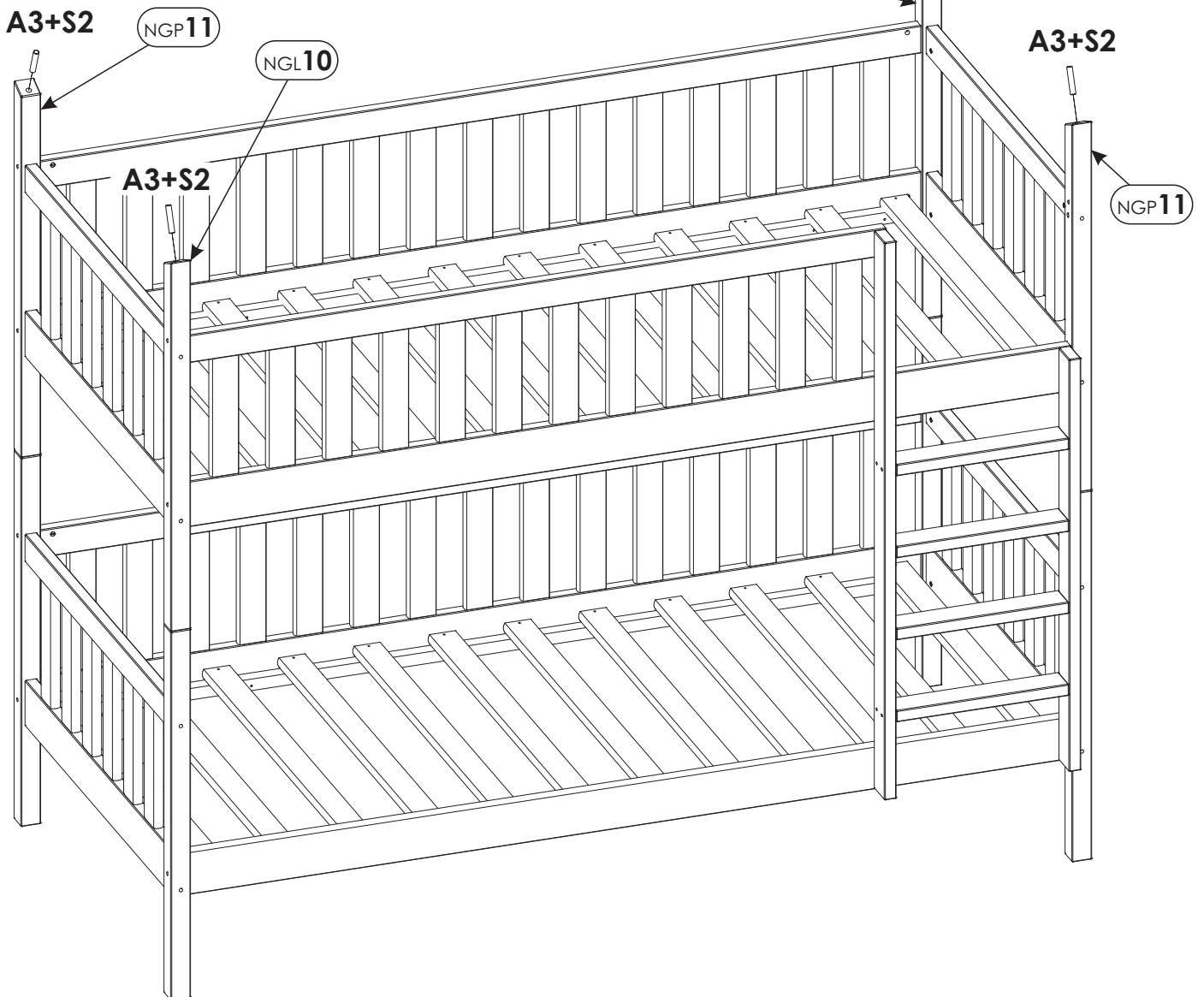
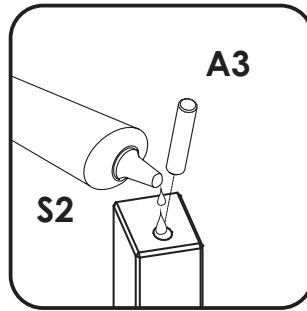
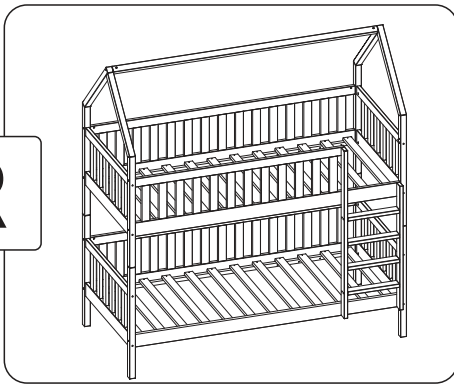
24.

R

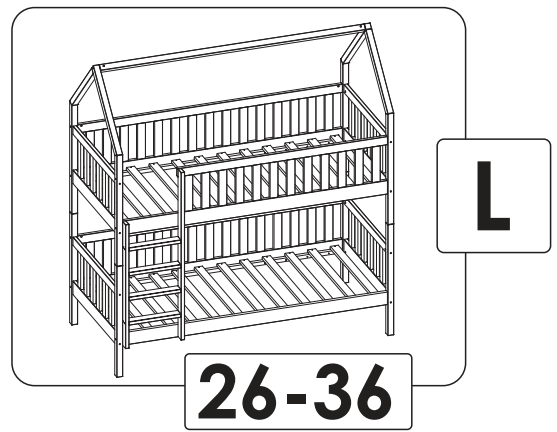


25.

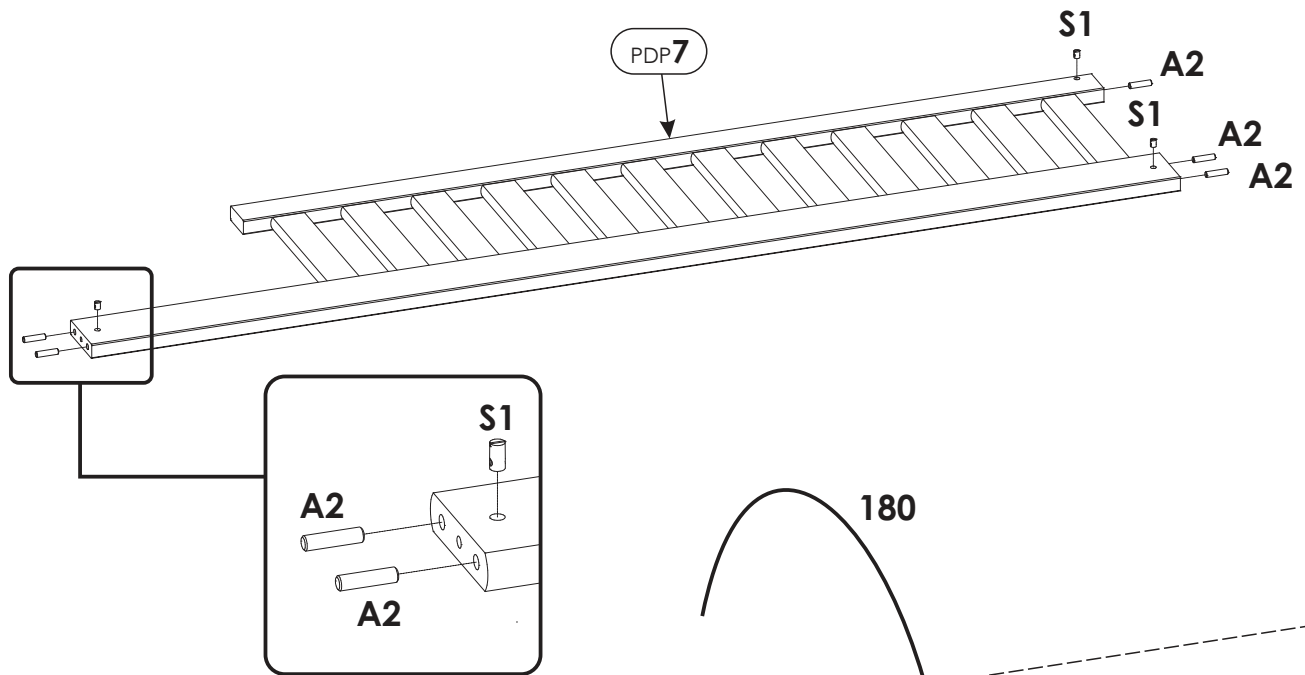
R



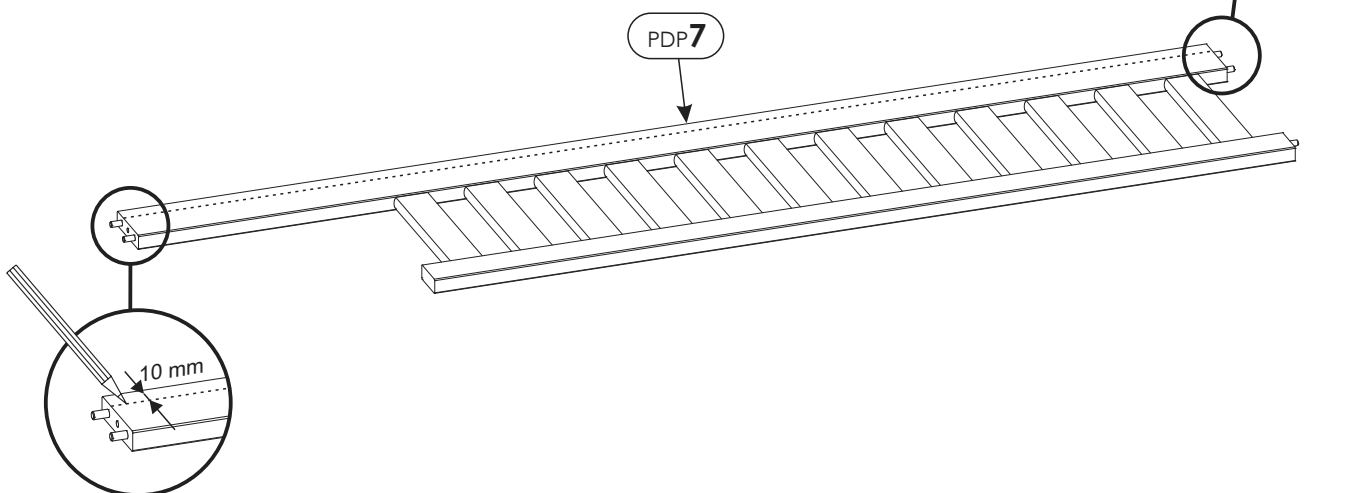
26.



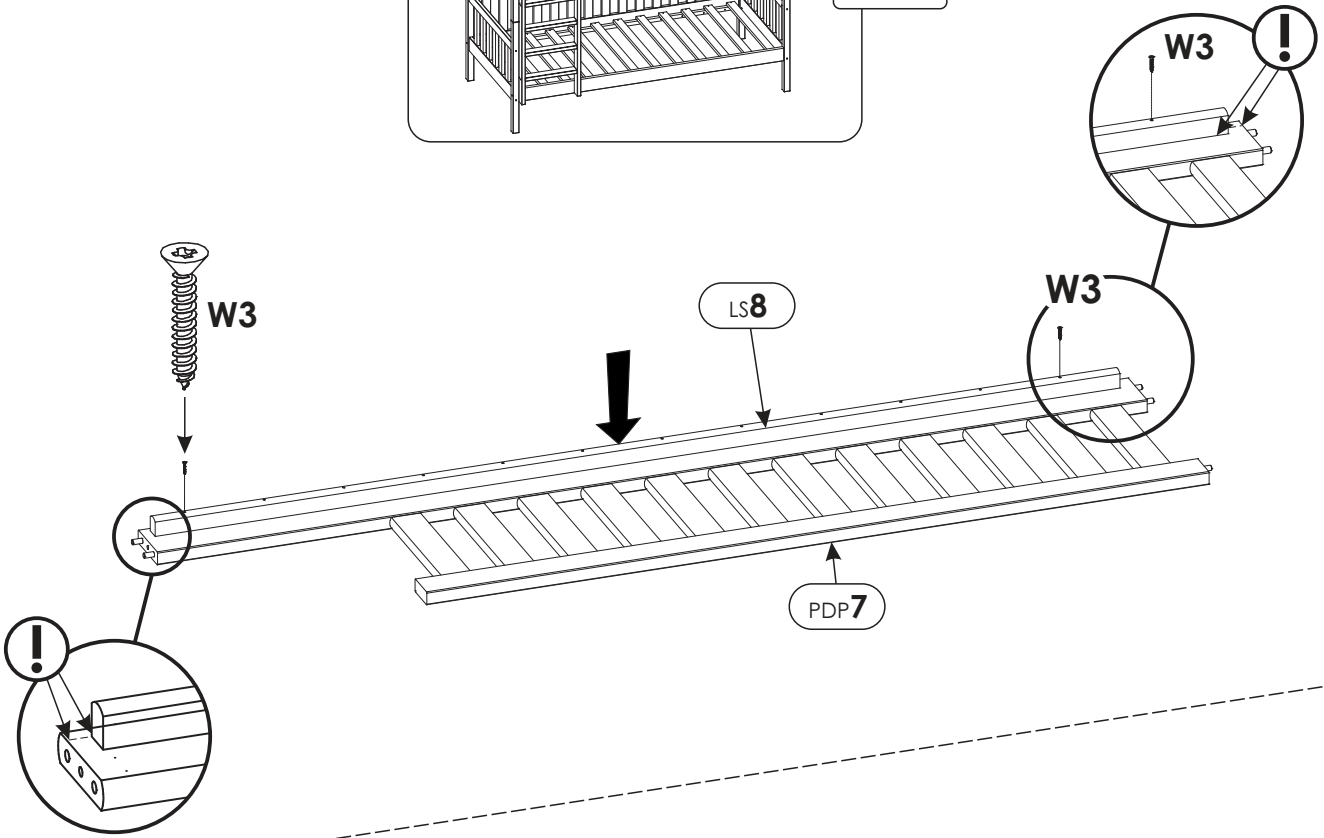
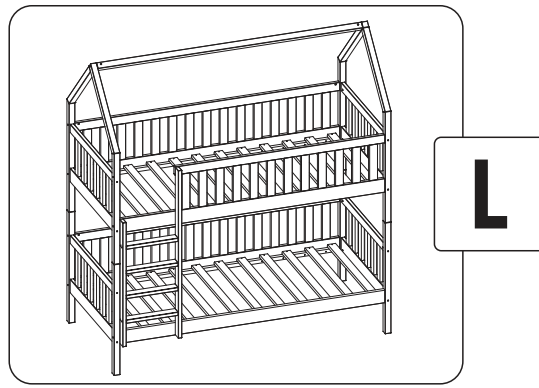
26.1



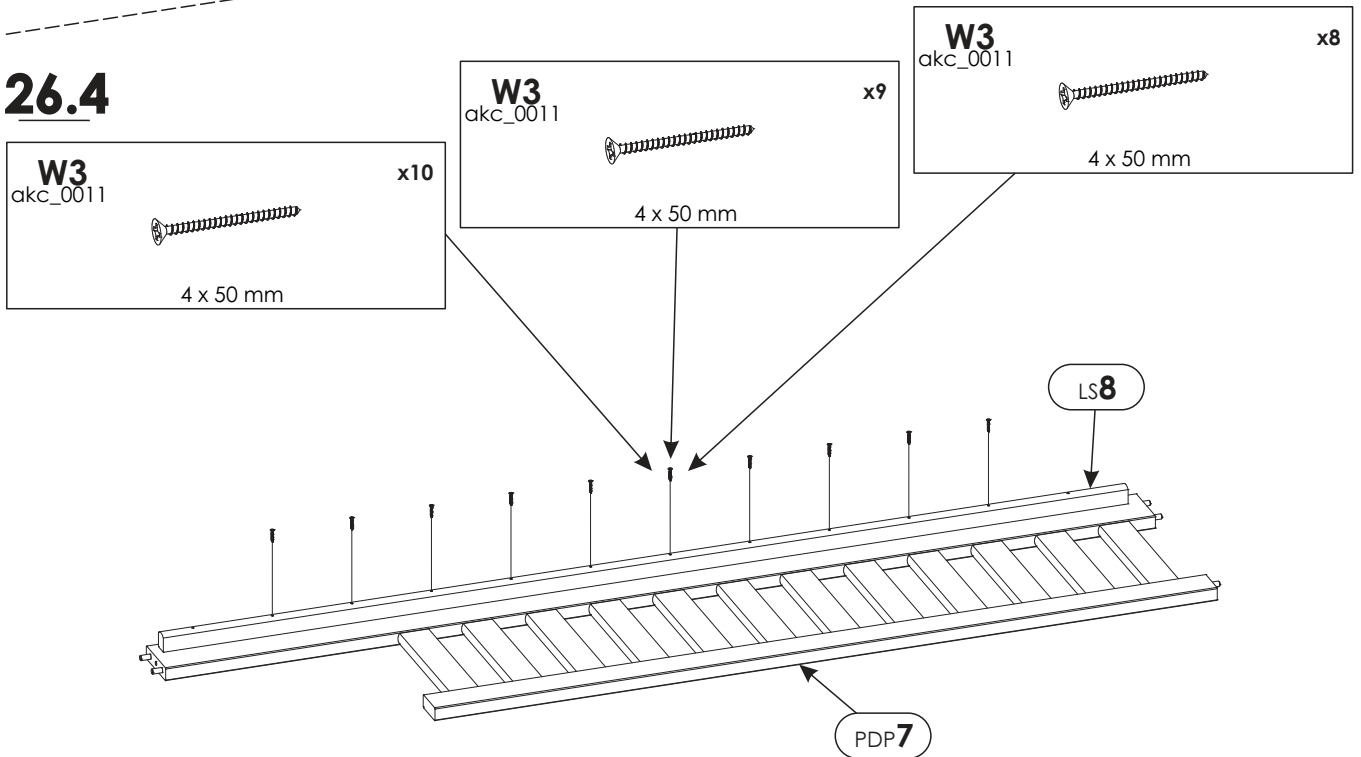
26.2



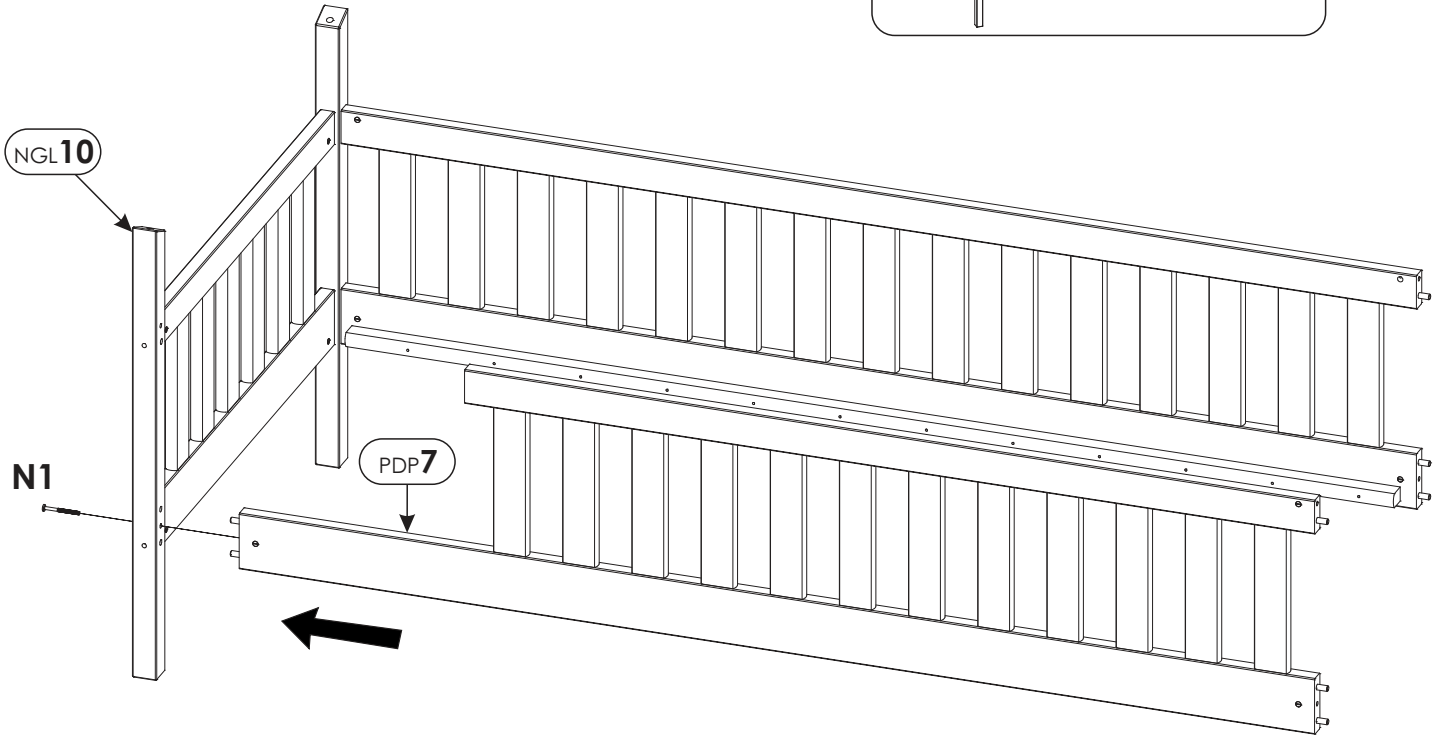
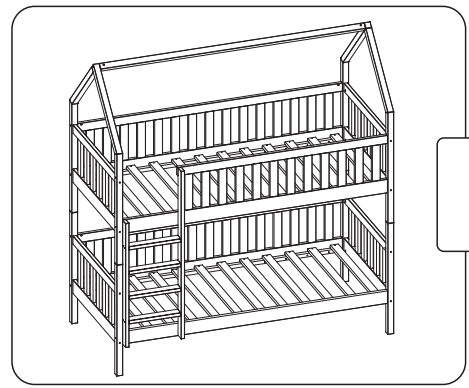
26.3



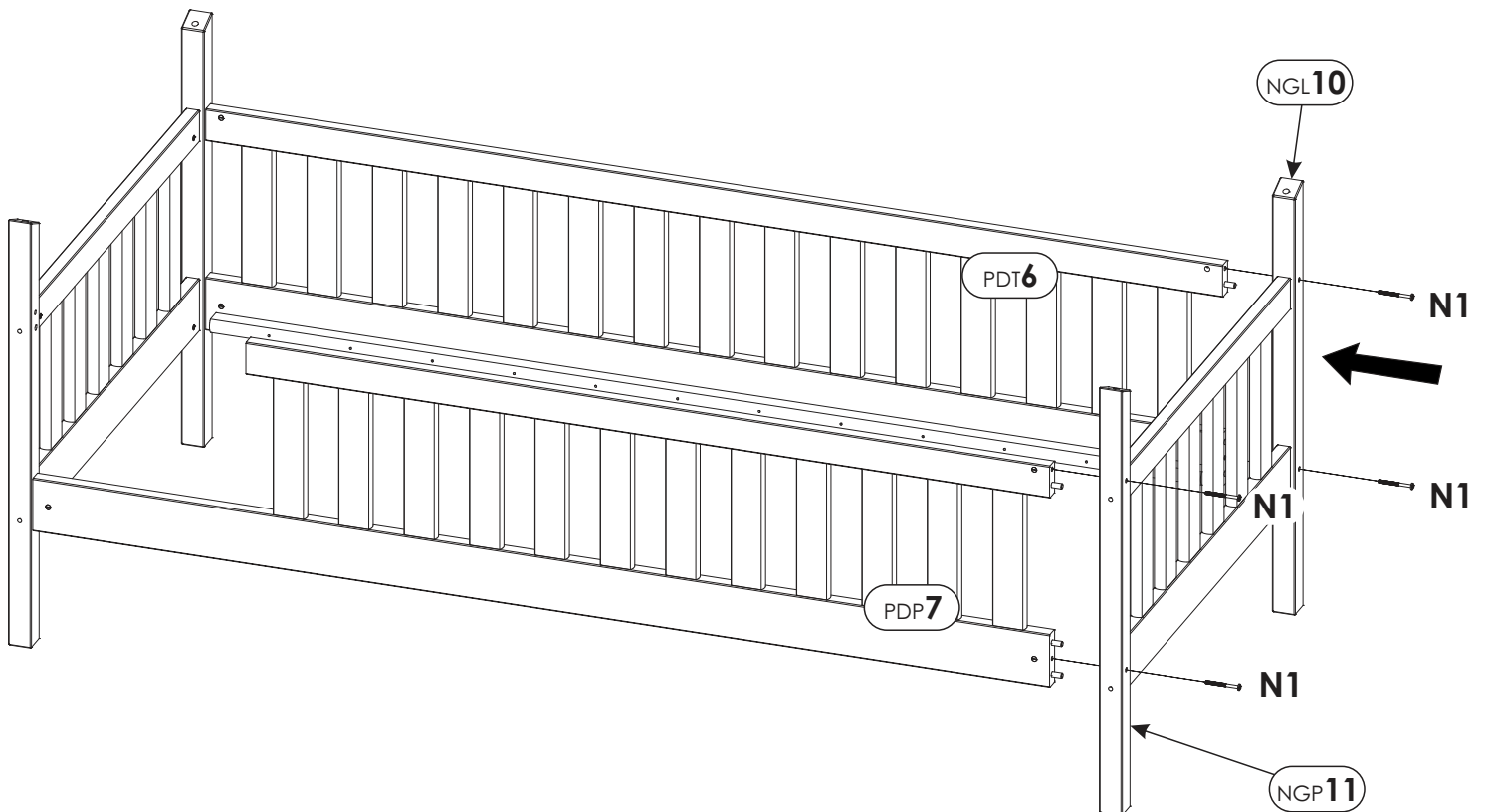
26.4



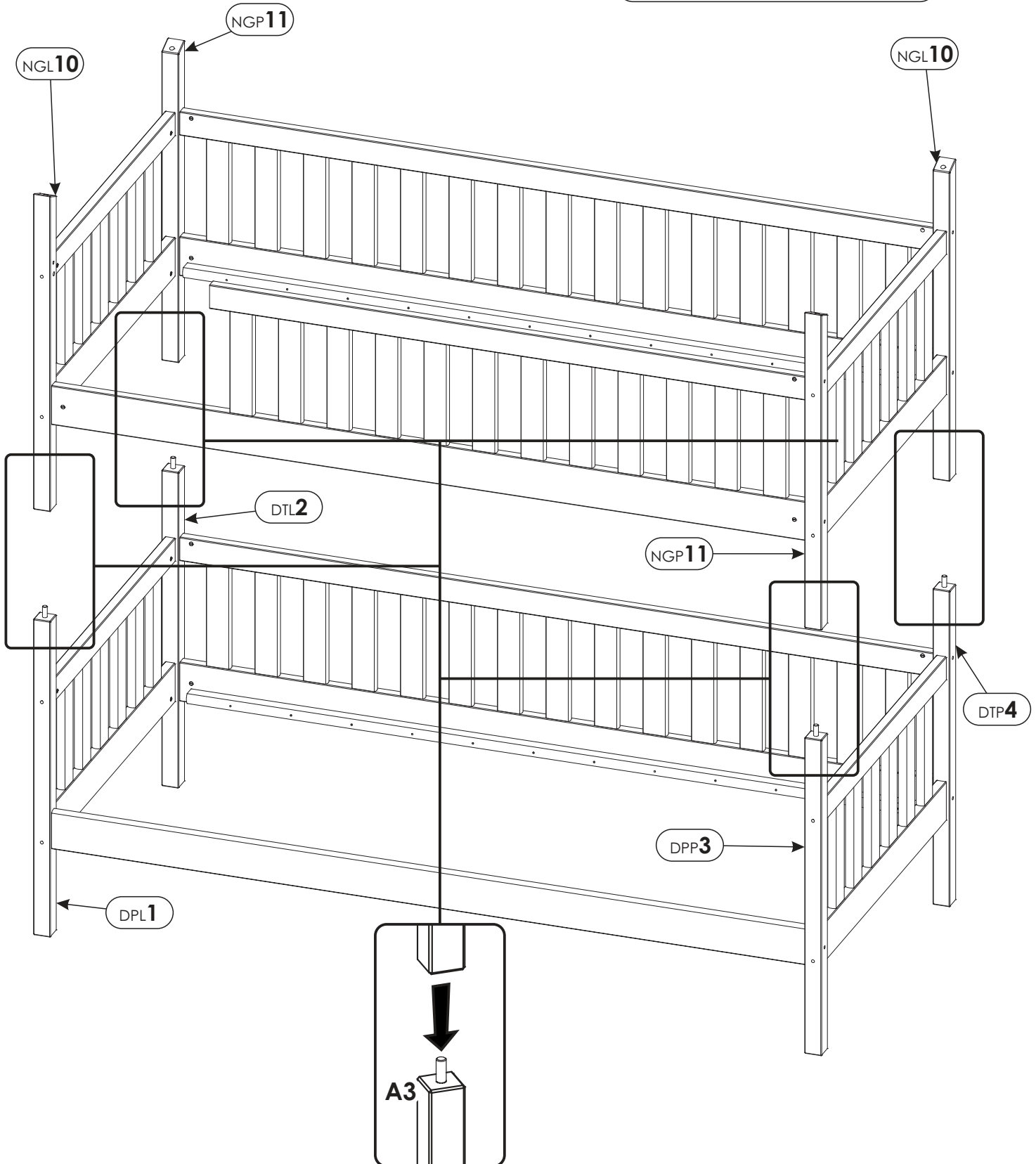
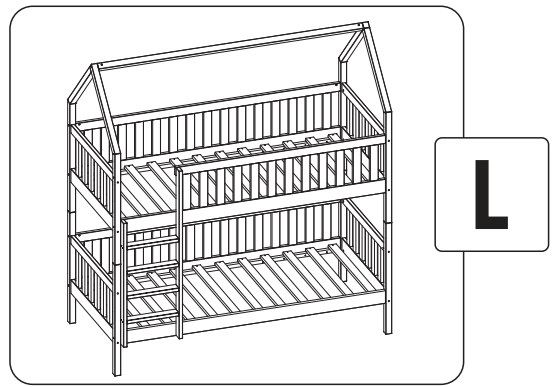
27.



28.



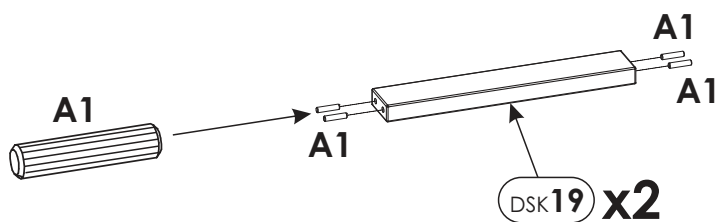
29.



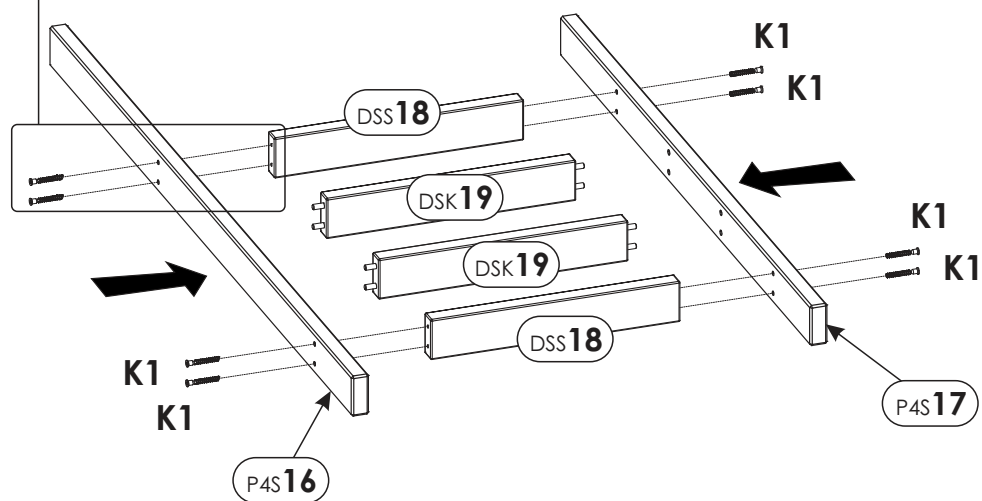
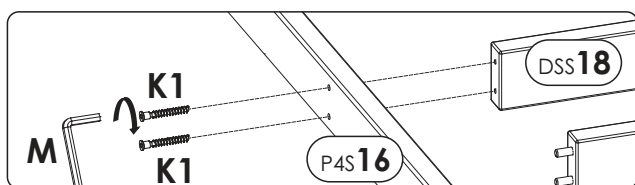
30.



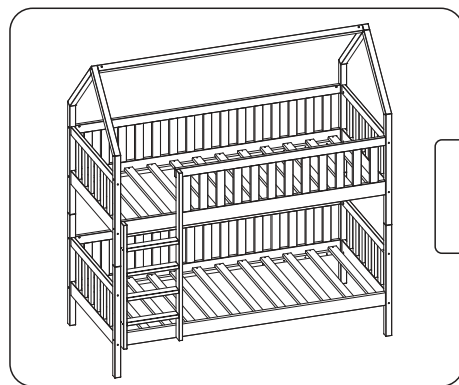
L



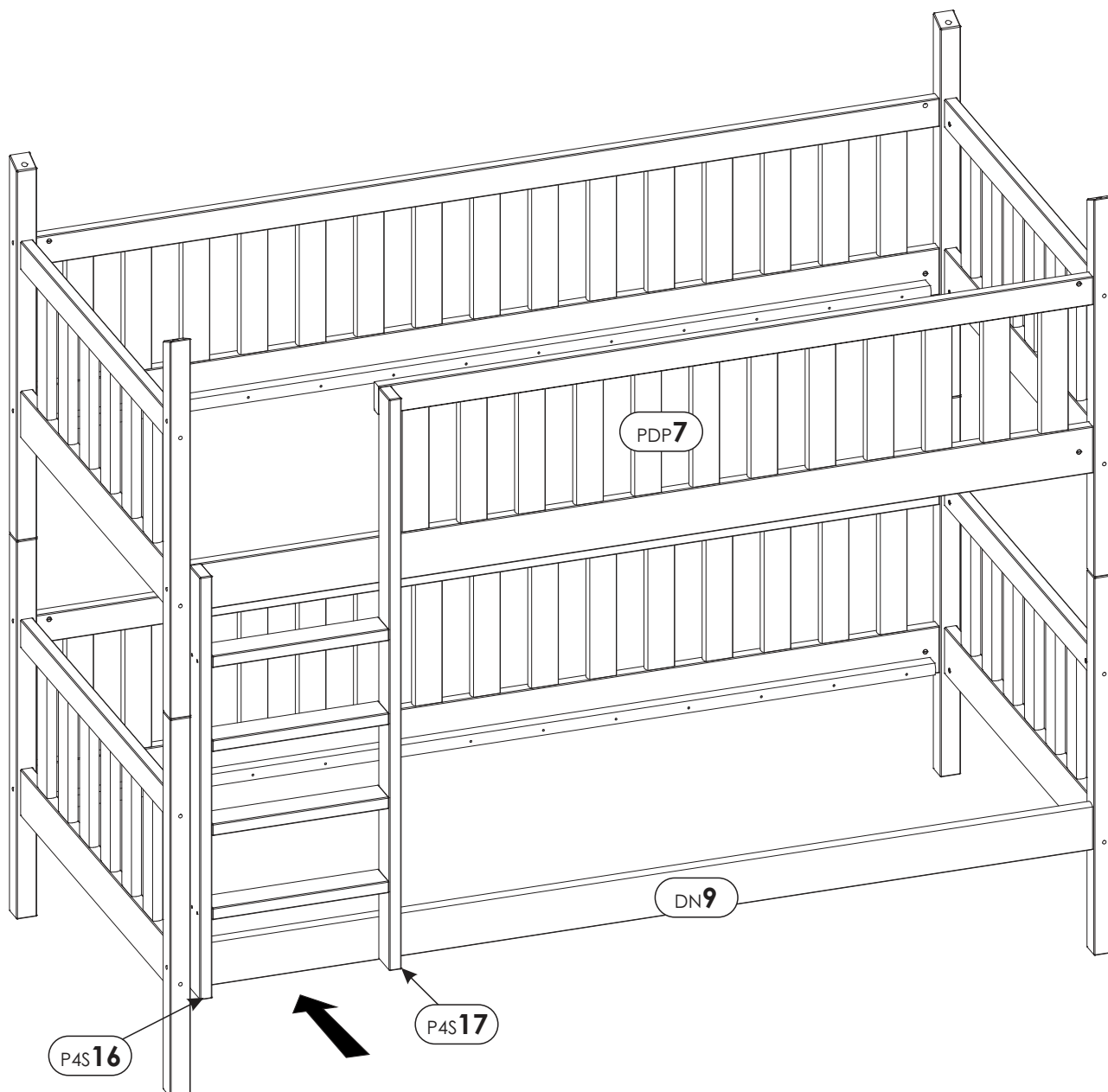
31.



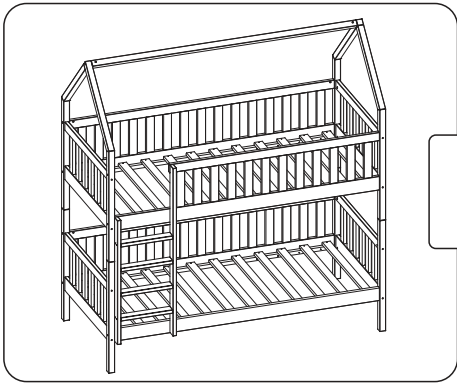
32.



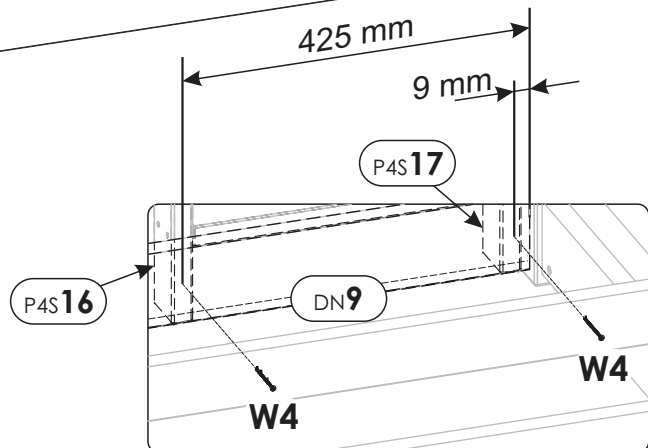
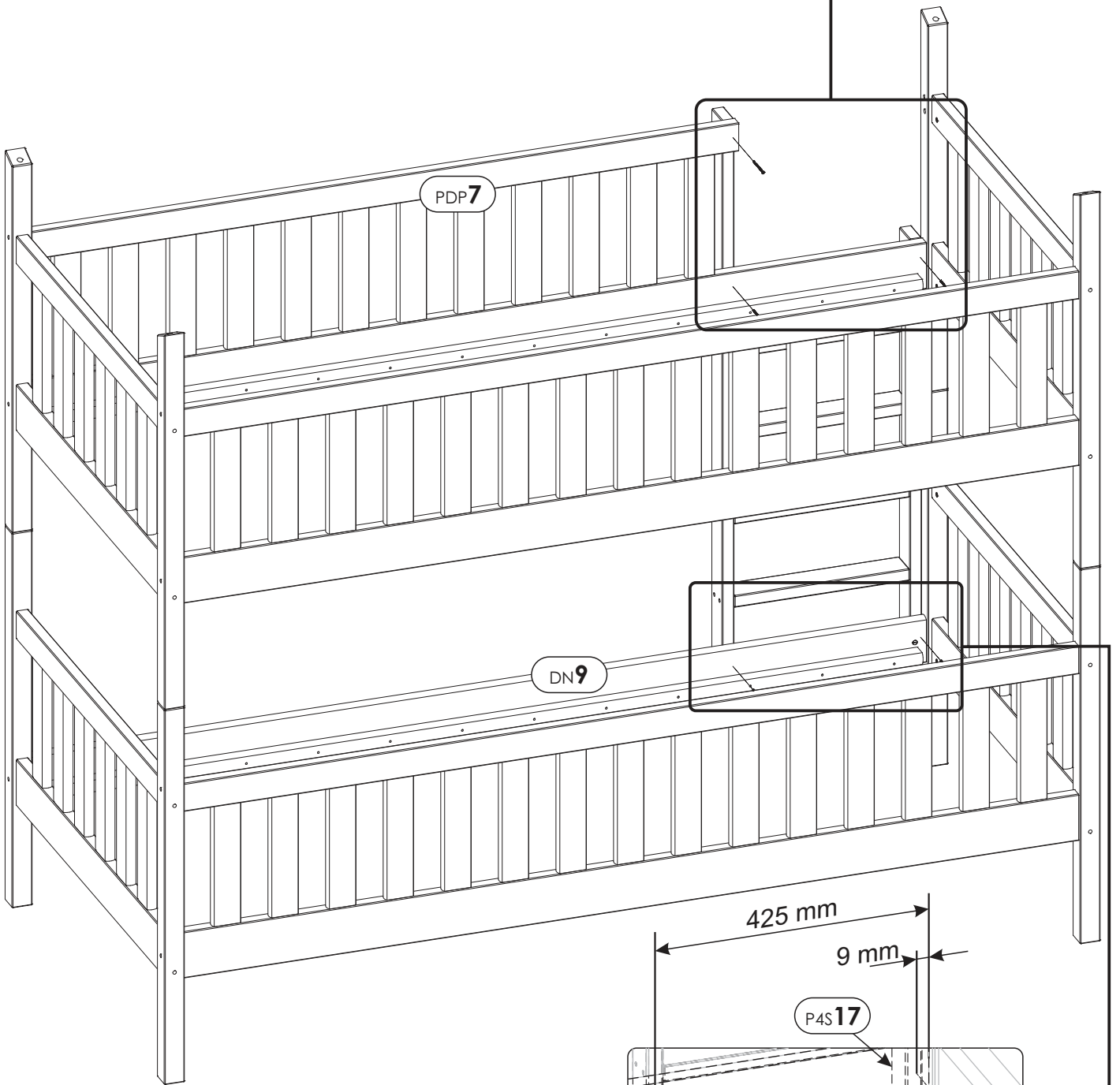
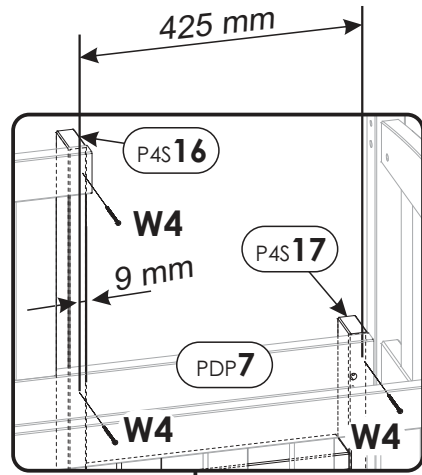
L



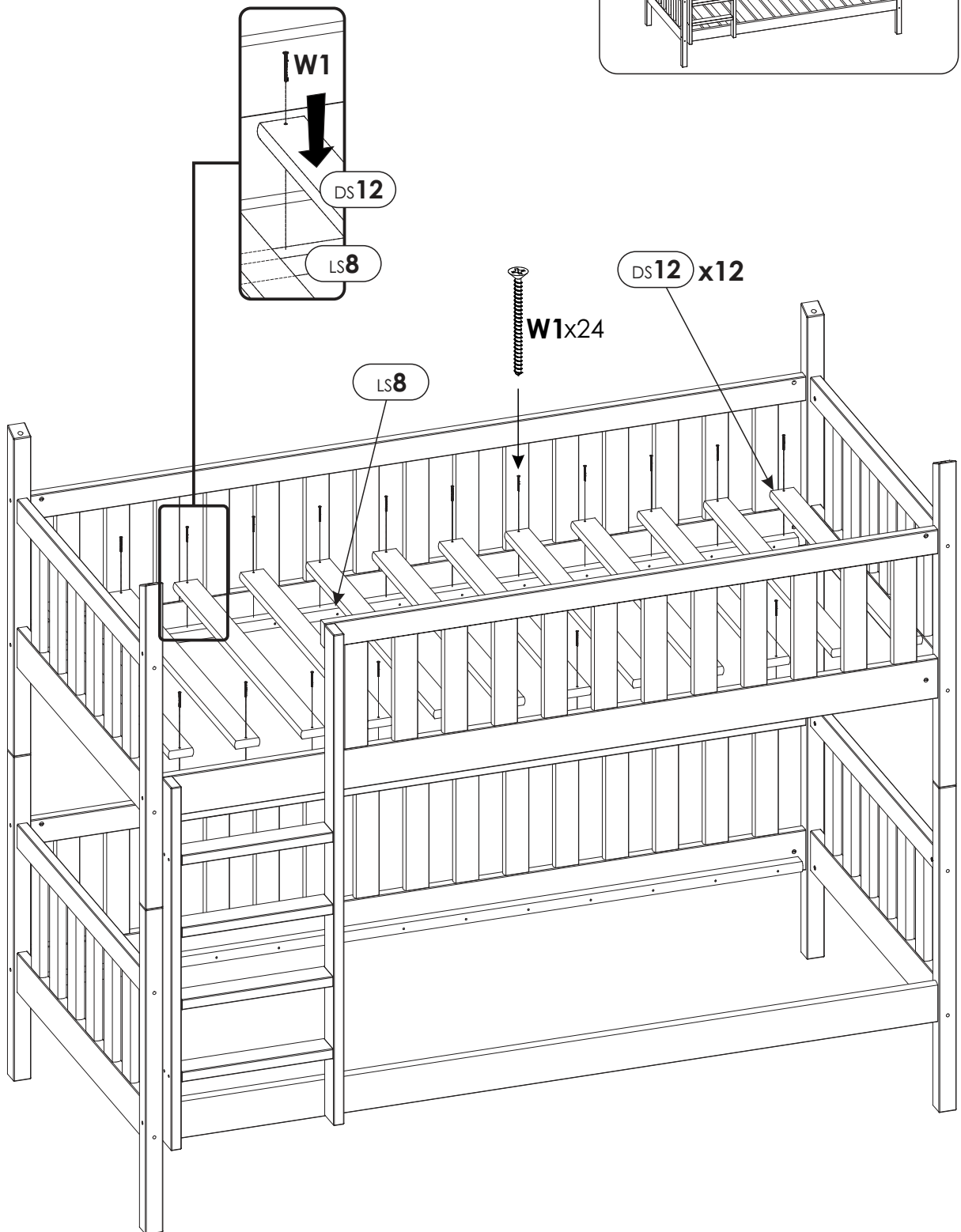
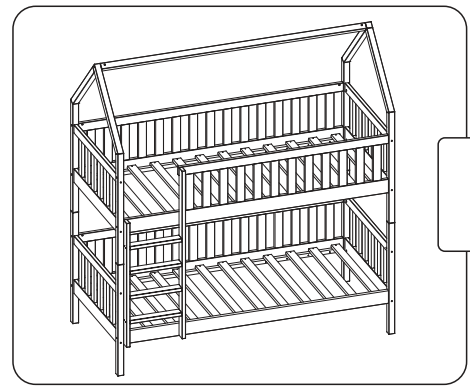
33.



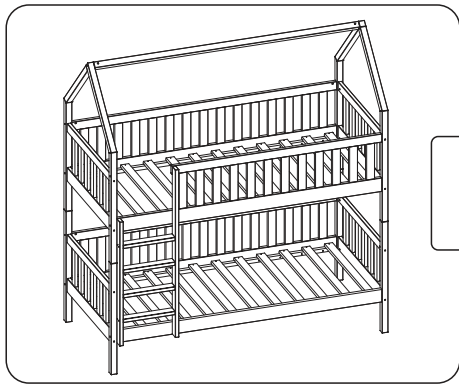
L



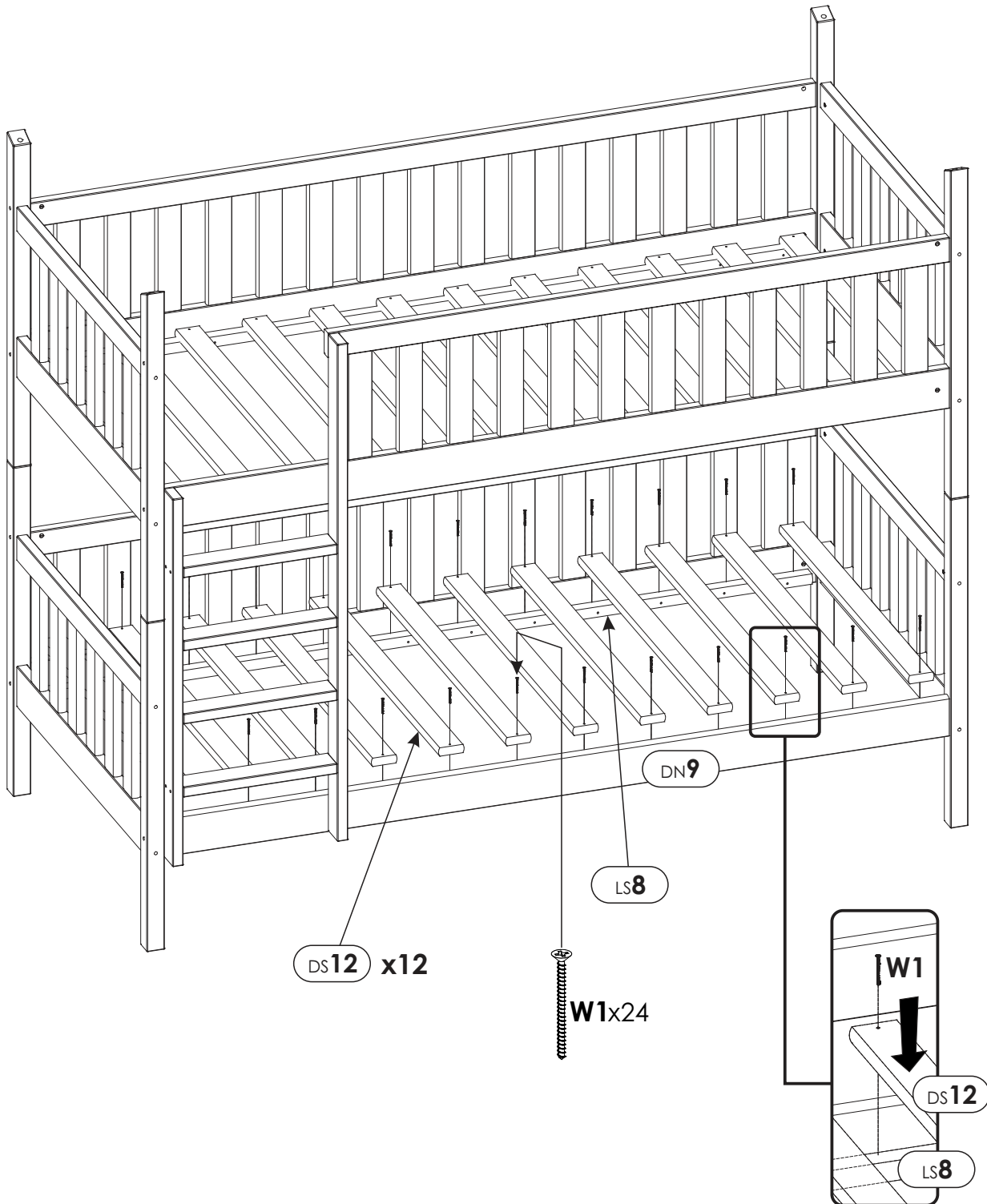
34.



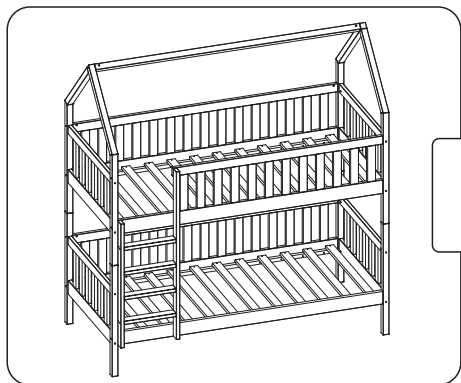
35.



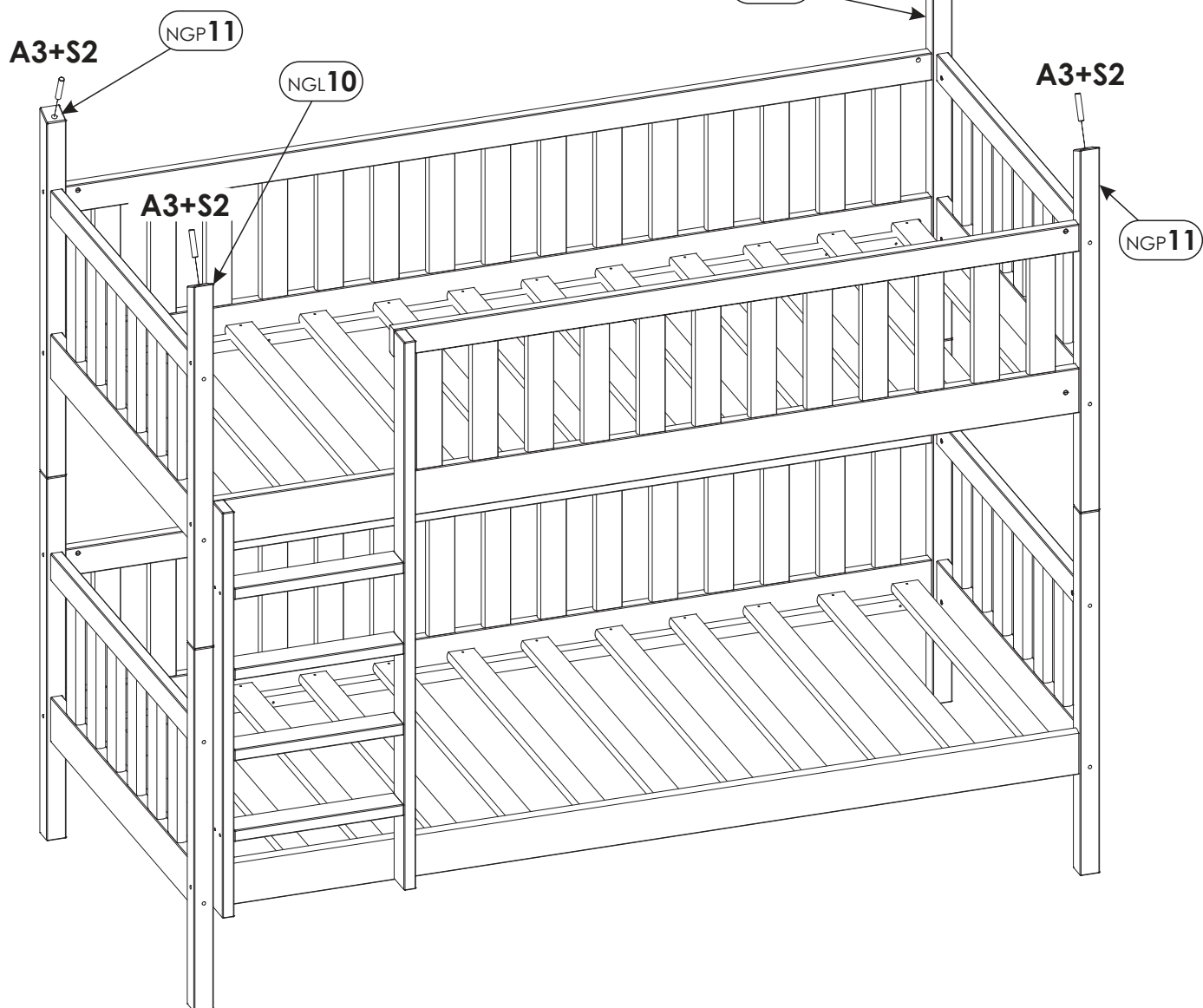
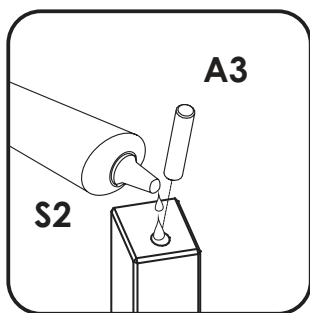
L



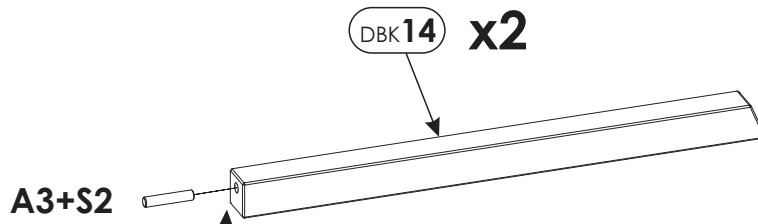
36.



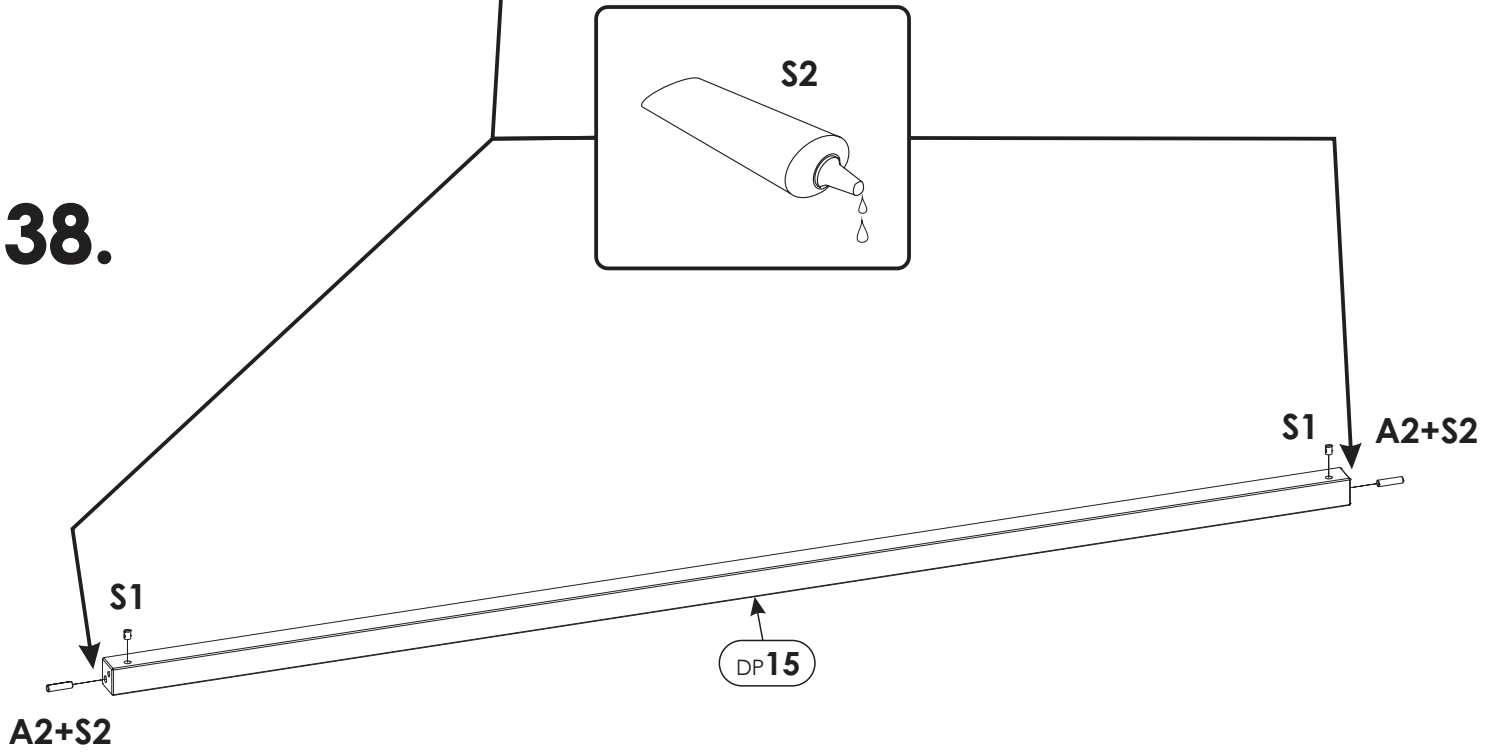
L



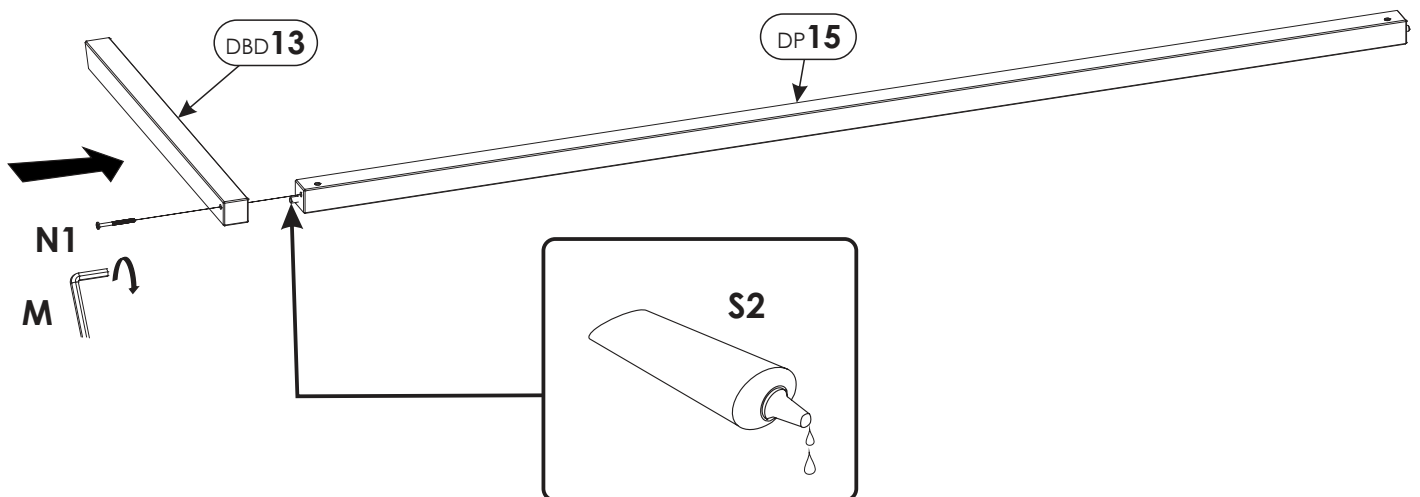
37.



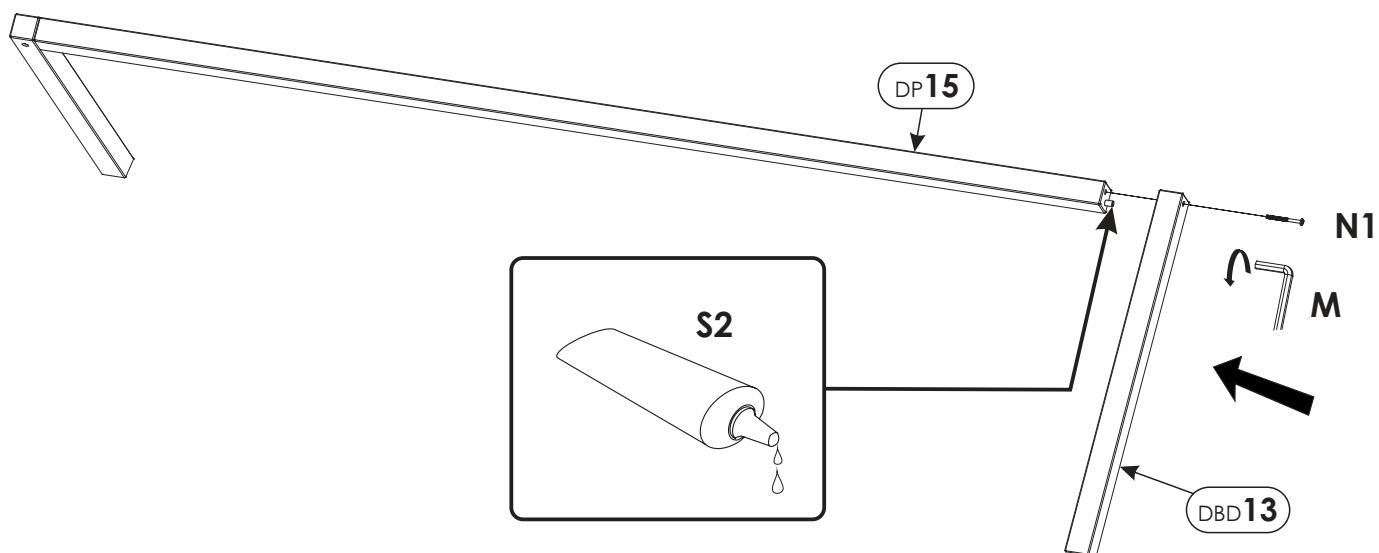
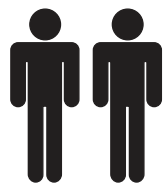
38.



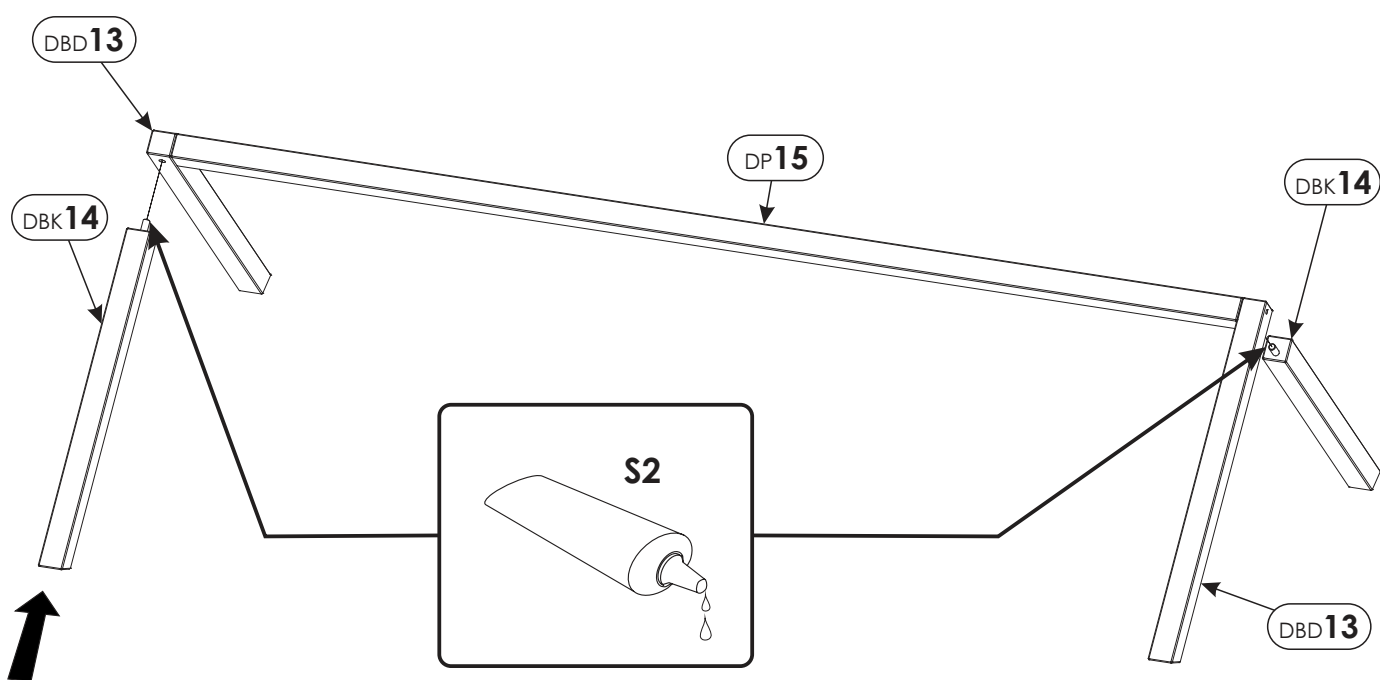
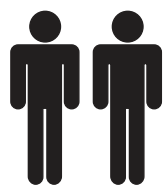
39.



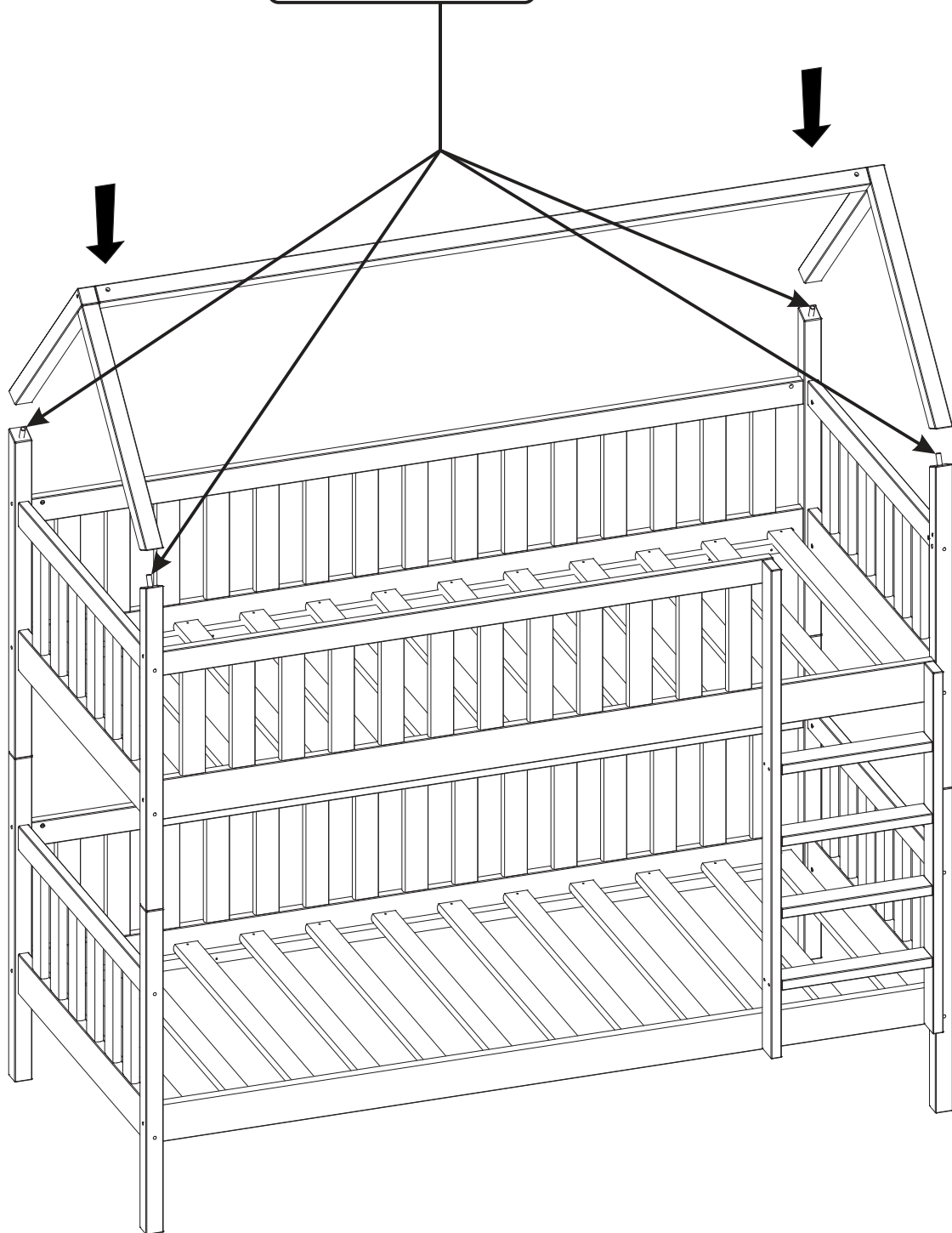
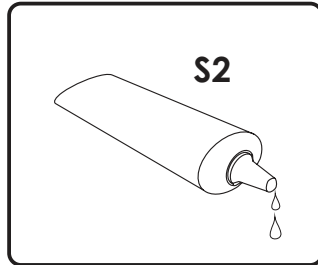
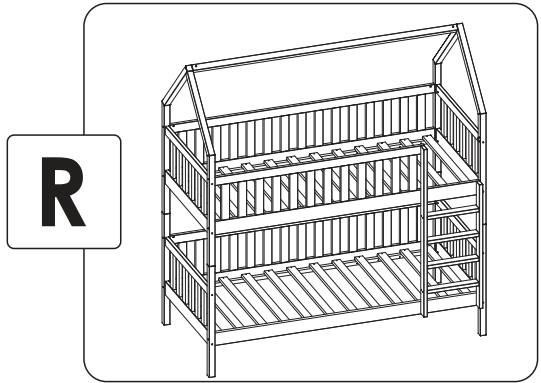
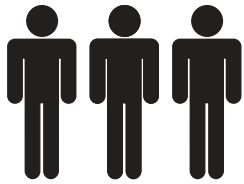
40.



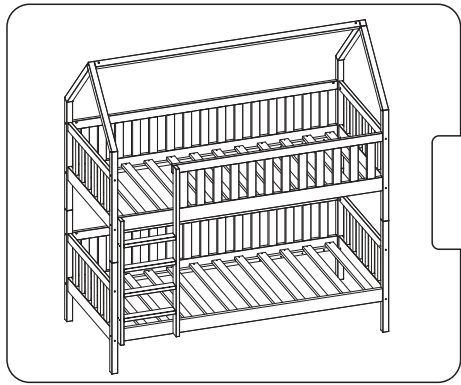
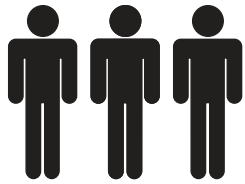
41.



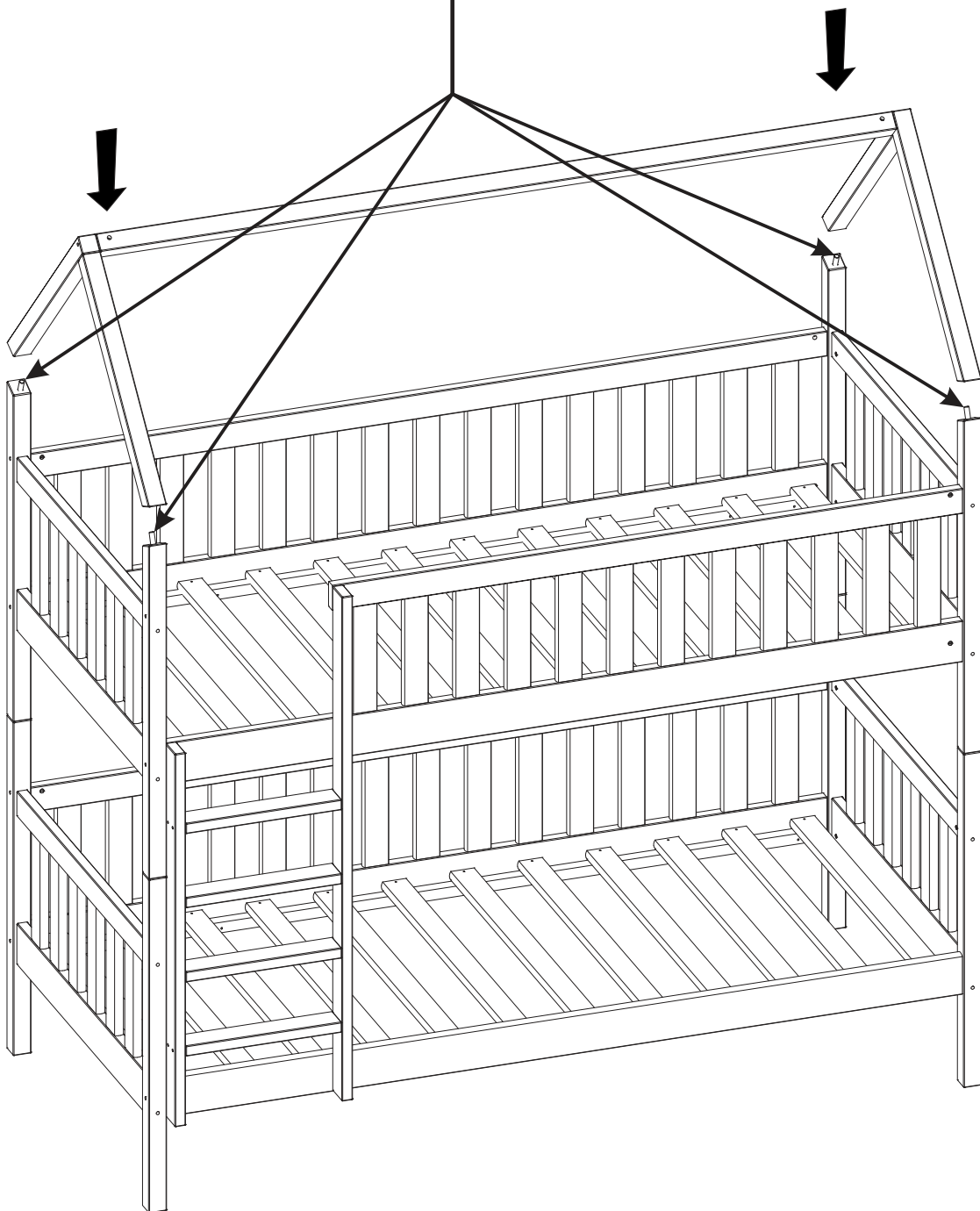
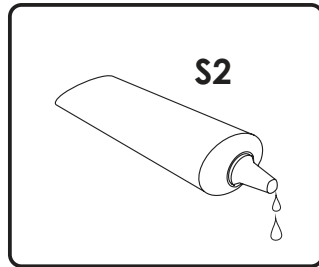
42.



43.

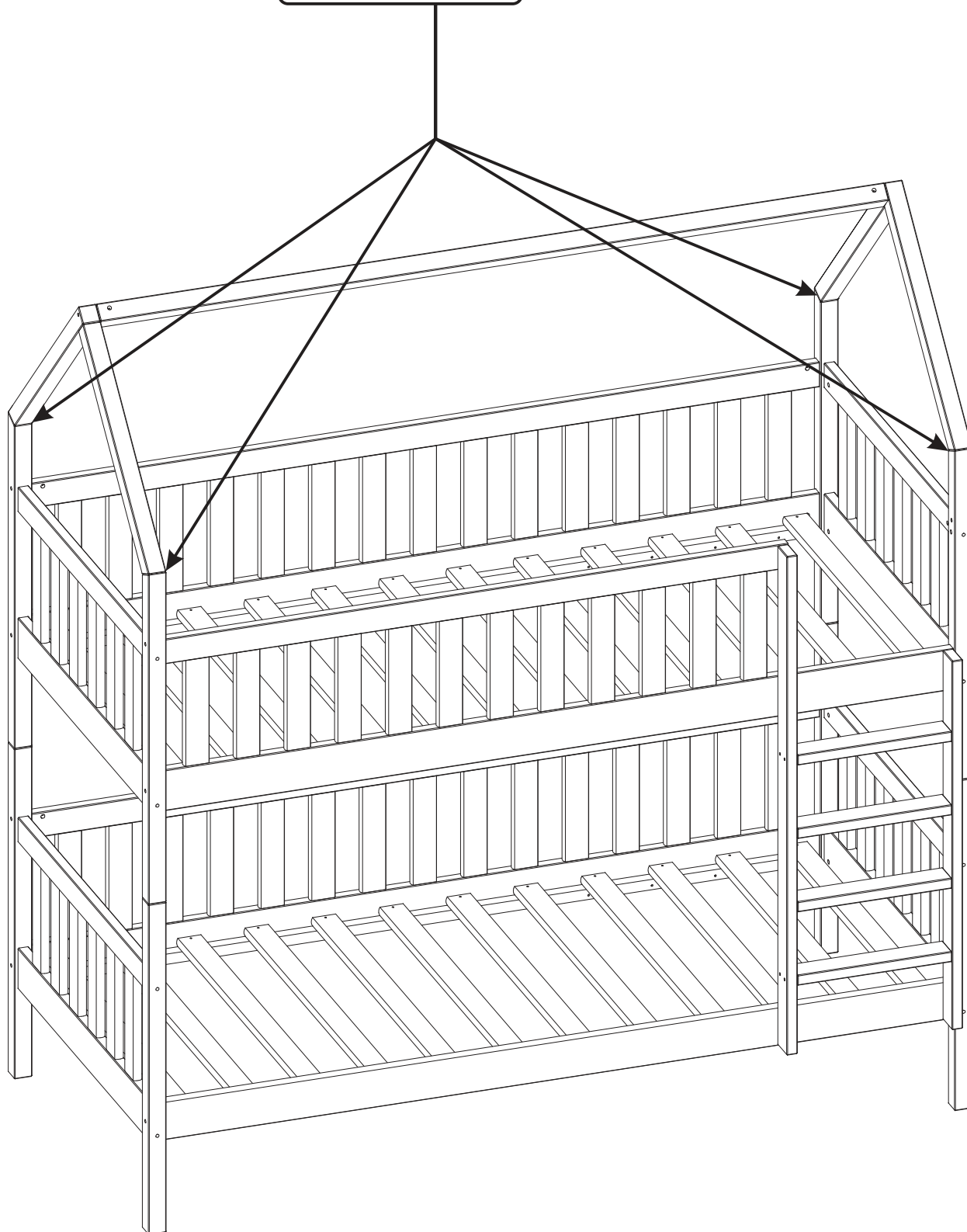
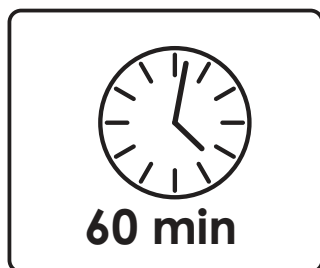
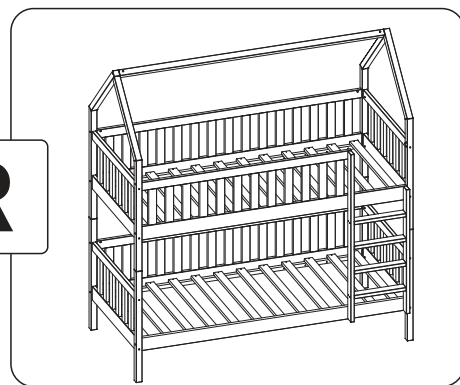


L

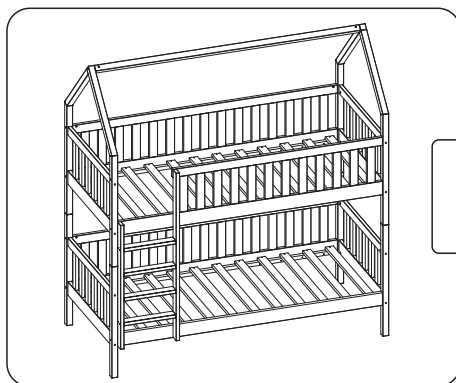
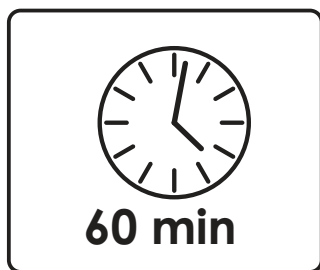


44.

R



45.



L

