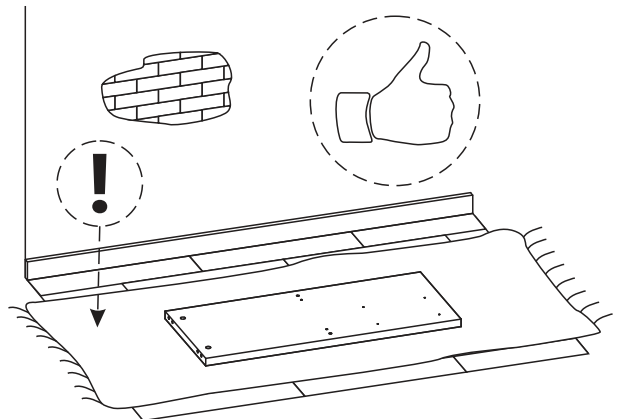
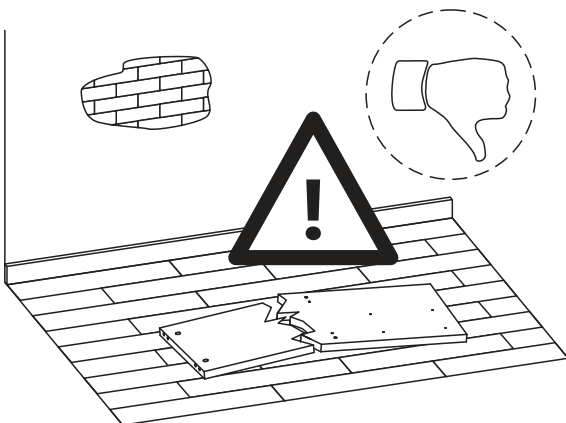
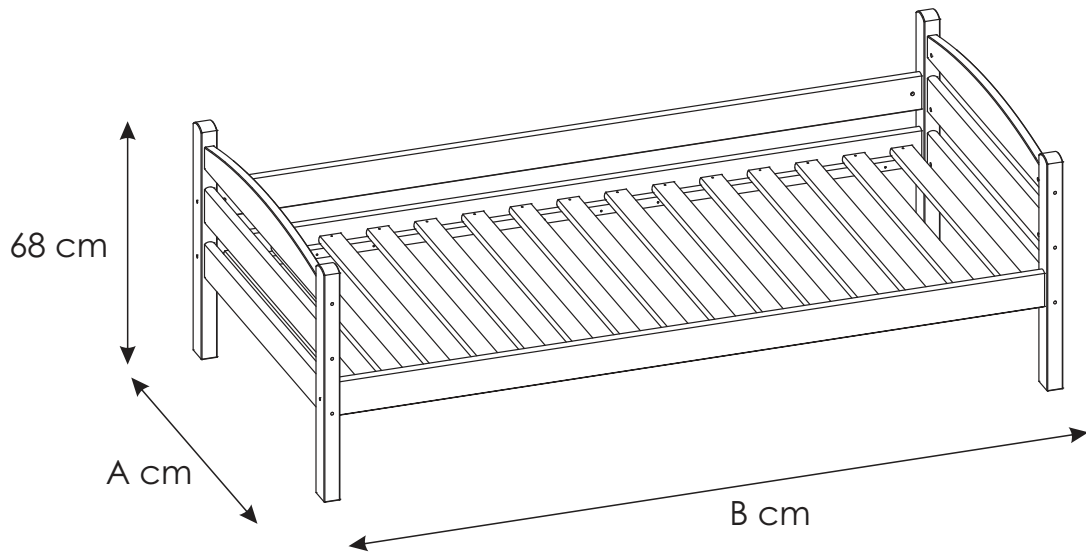
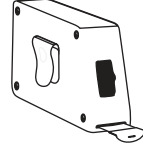
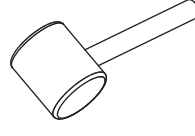
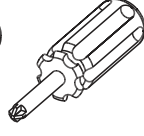
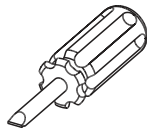
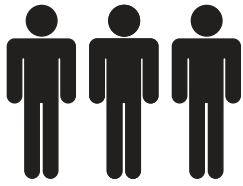
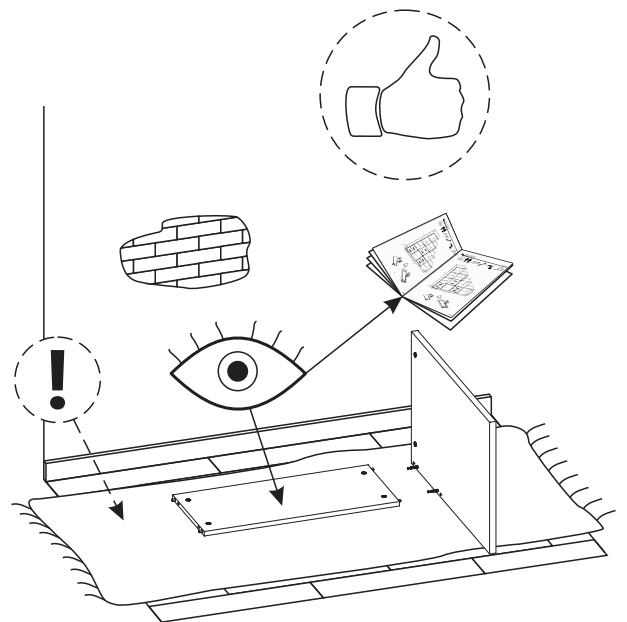
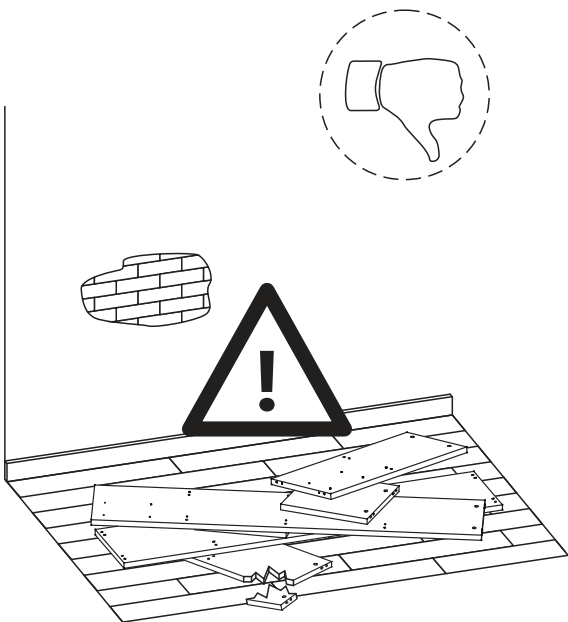
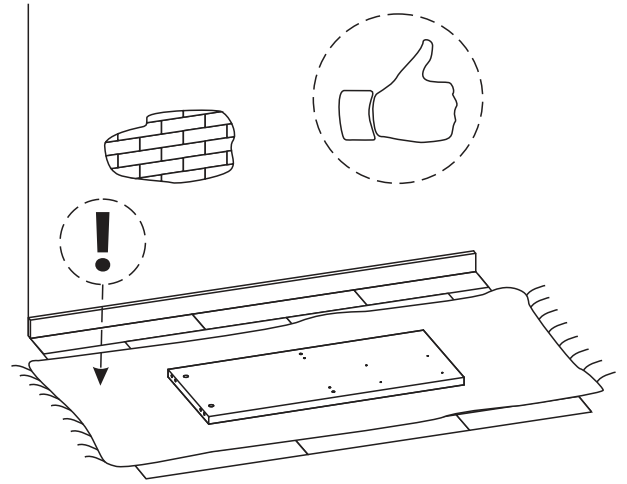
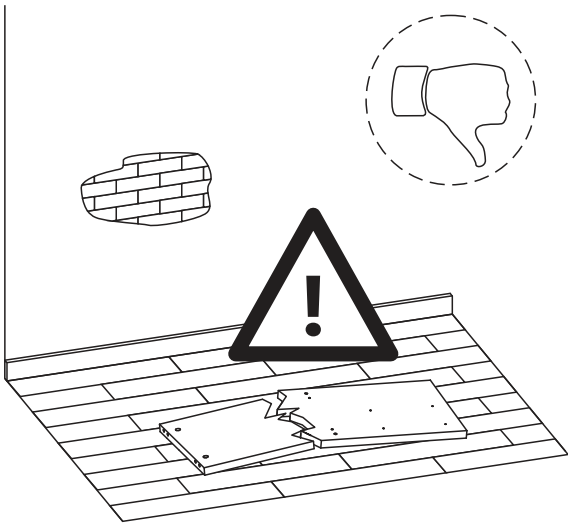
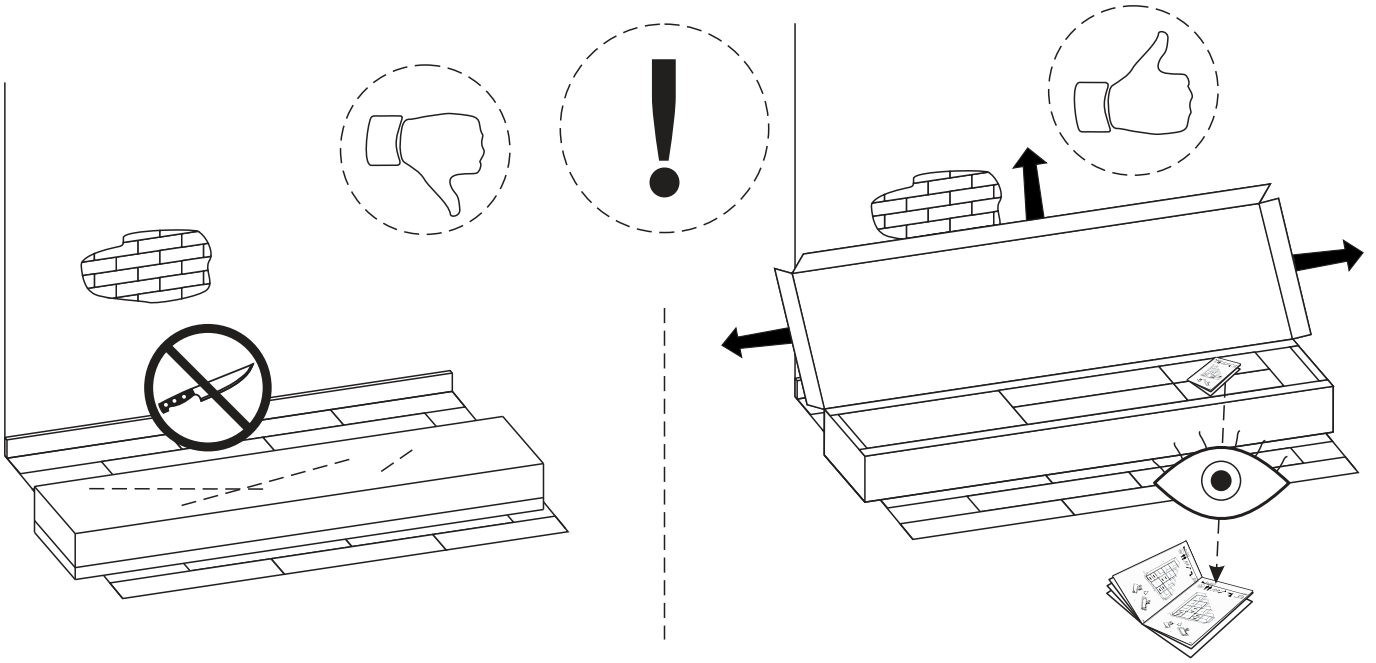
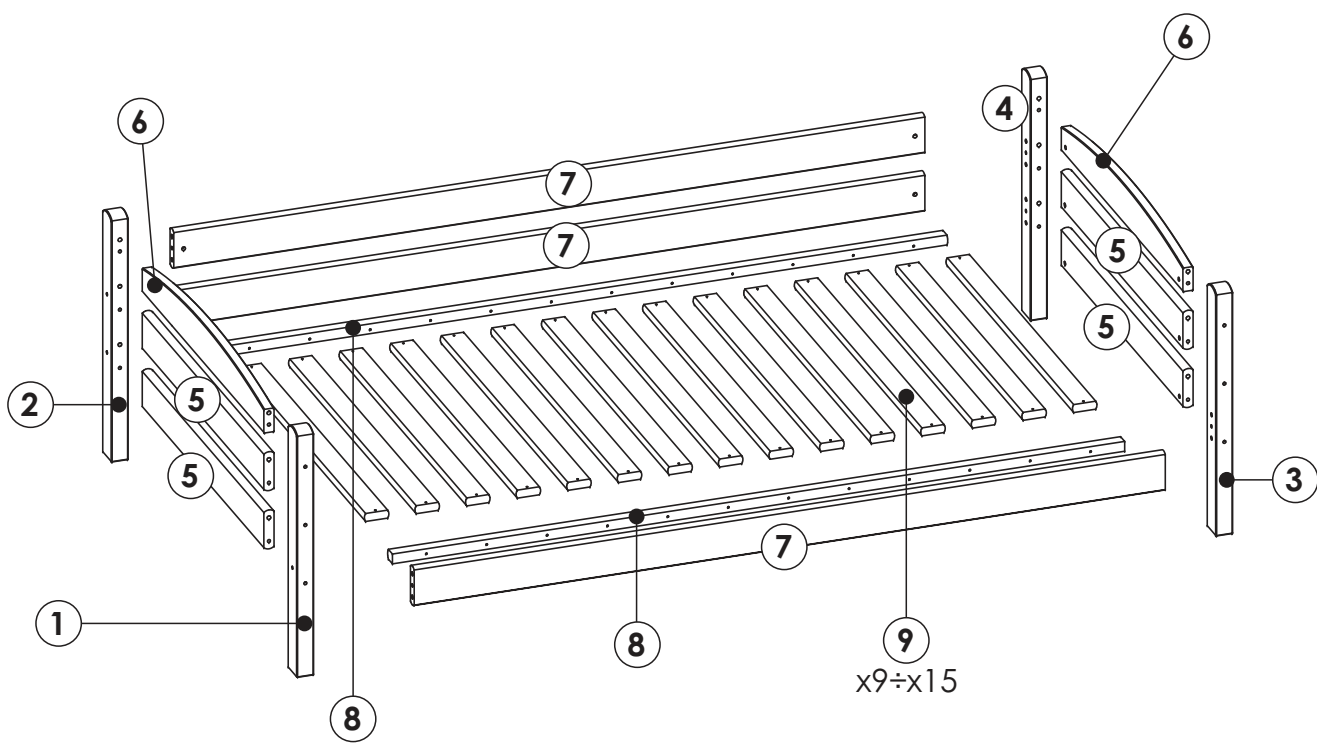
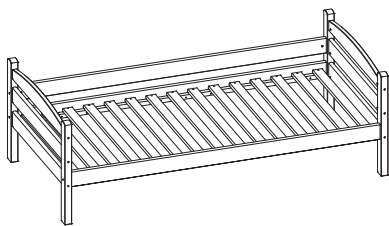


KLARA





KLARA



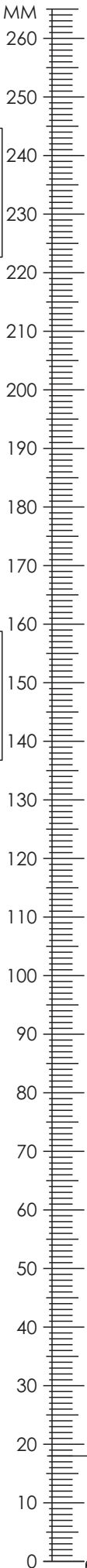
KLARA

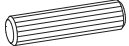


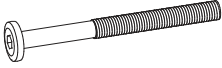

NPL 1	675	65	45	x1	MJNPL_01690
NTL 2	675	65	45	x1	KLNTL_02090
NPP 3	675	65	45	x1	MJNPP_01700
NTP 4	675	65	45	x1	KLNTP_02100
DST 5	585, 685, 785, 885, 985	107	27	x4	DST_00120
DBS 6	585, 685, 785, 885, 985	107	27	x2	DBS_01470
DN 7	1190, 1390, 1590, 1690, 1790, 1890, 1990	107	27	x3	DN_00110
LS 8	1140, 1340, 1540, 1640, 1740, 1840, 1940	35	27	x2	LS_00160

OPTION

DS 9	B=2000	620, 720, 820, 920, 1020	65	22	x15	DS_00170
	B=1900				x14	
	B=1800				x13	
	B=1700				x13	
	B=1600				x12	
	B=1400				x10	
	B=1200				x9	


KLARA



<p>A2 akc_0002</p>  <p>10 x 40 mm</p> <p style="text-align: right;">x24</p>	<p>M akc_0005</p>  <p style="text-align: right;">x1</p>	<p>N1 akc_0006</p>  <p>6 x 80 mm</p> <p style="text-align: right;">x6</p>
<p>N2 akc_0007</p>  <p>6 x 100 mm</p> <p style="text-align: right;">x12</p>	<p>S1 akc_0008</p>  <p>10 x 16 mm</p> <p style="text-align: right;">x18</p>	

----- **OPTION** -----


W1
akc_0009



18 < x < 30

3,5 x 40 mm

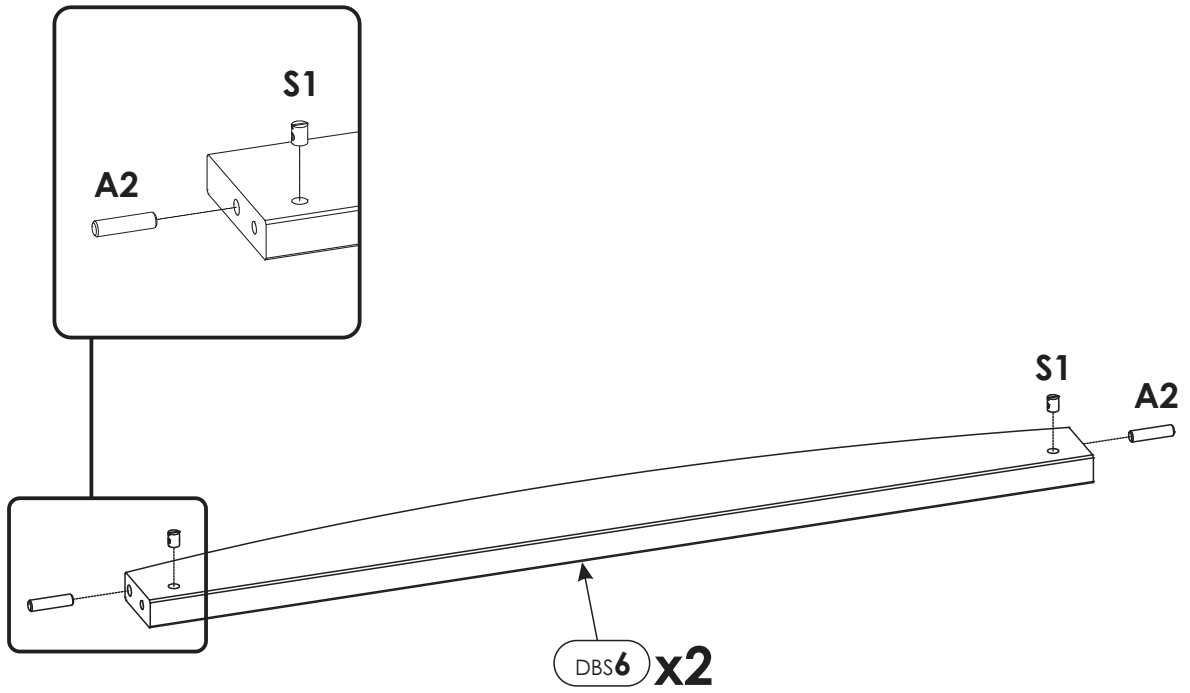
W3
akc_0011



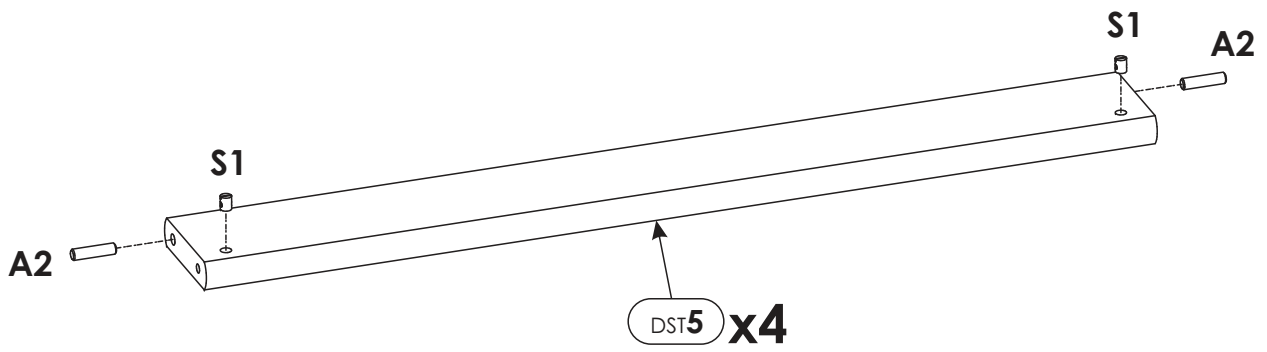
20 < x < 24

4 x 50 mm

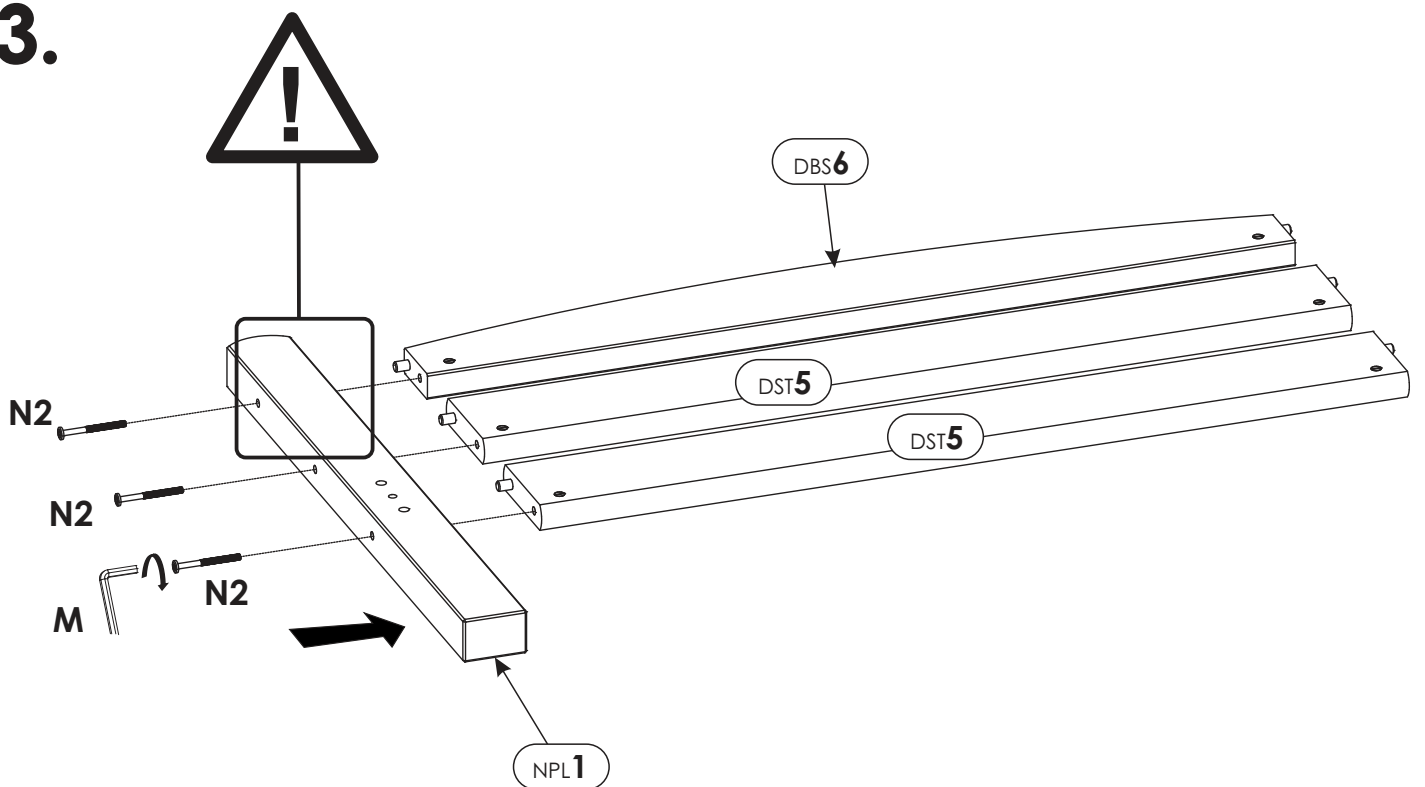
1.



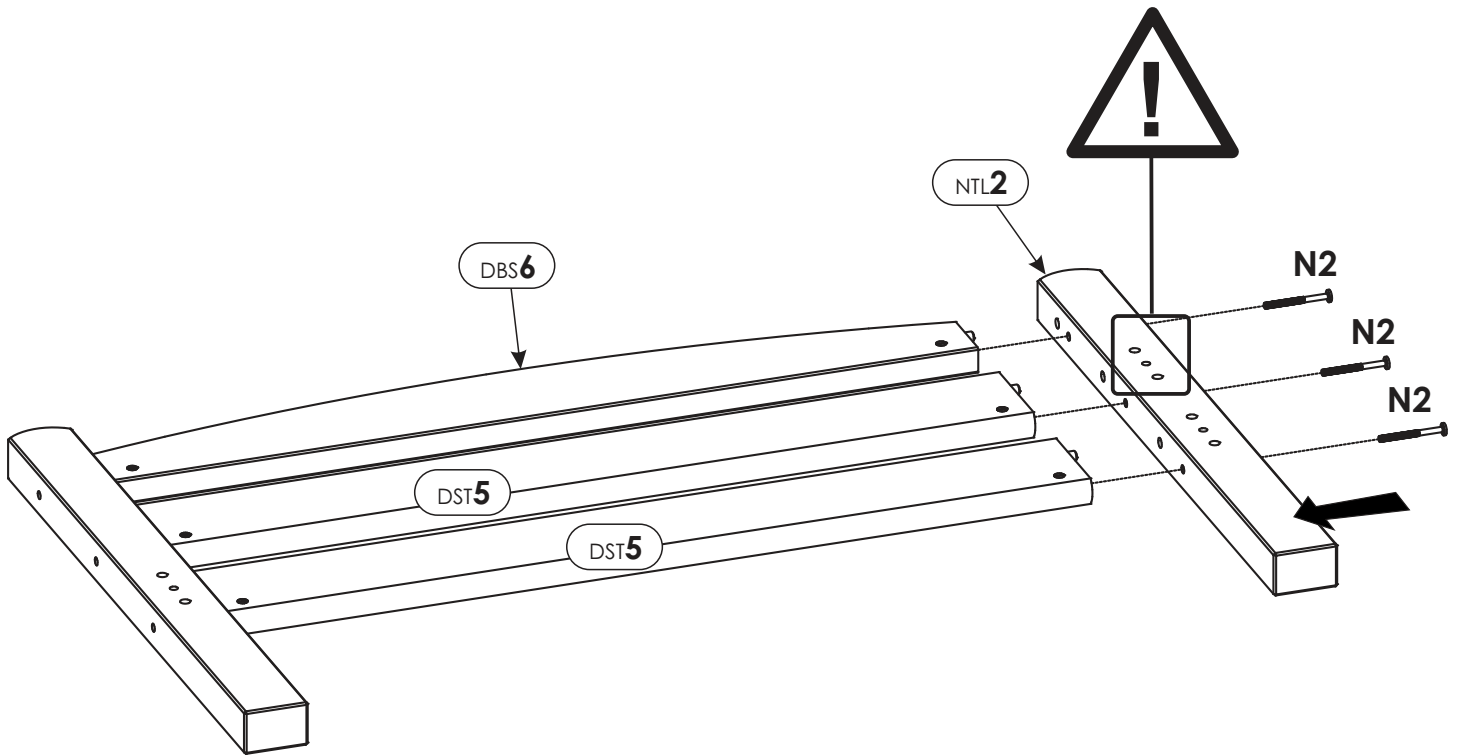
2.



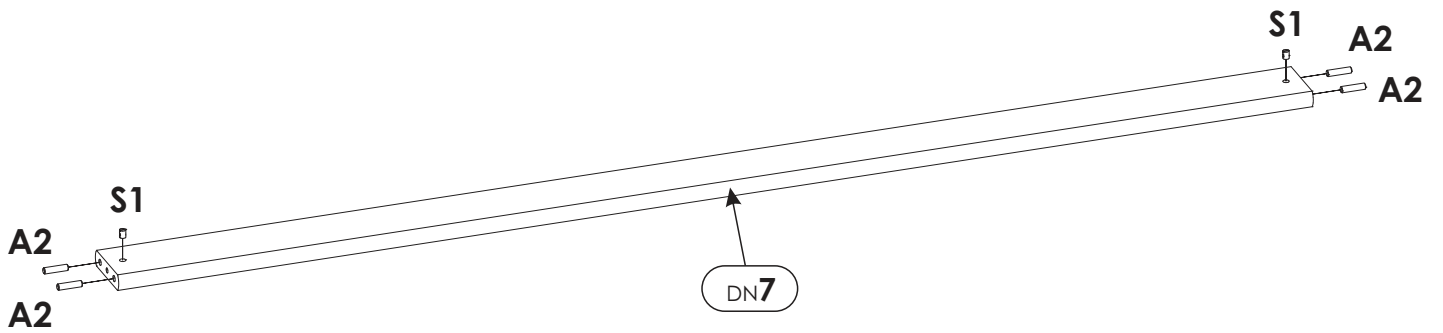
3.



4.

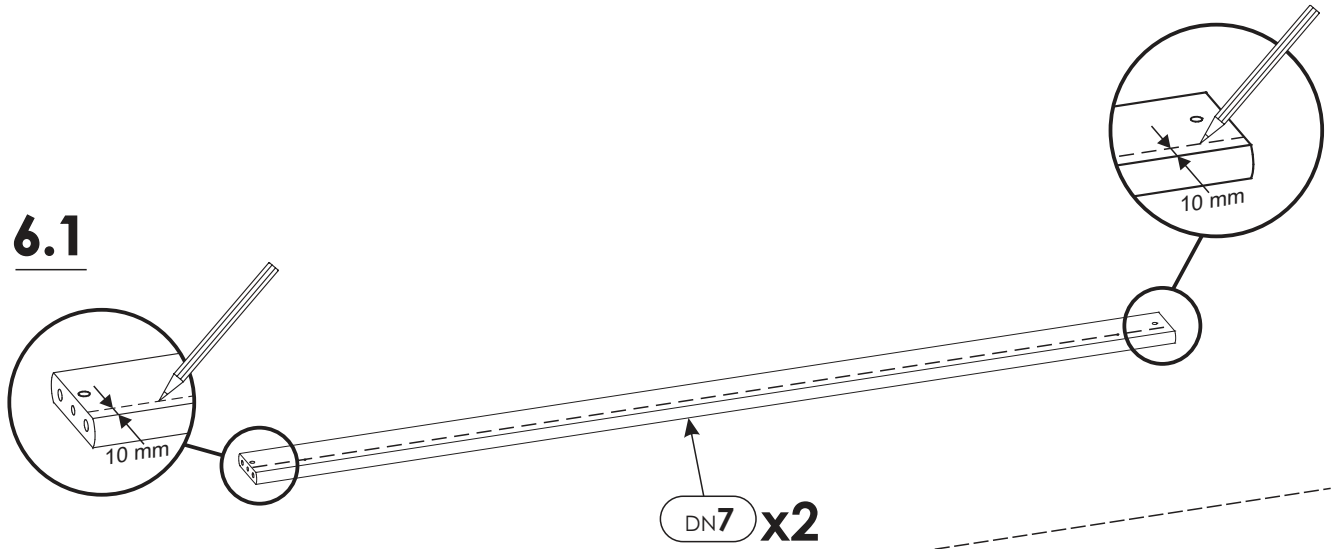


5.

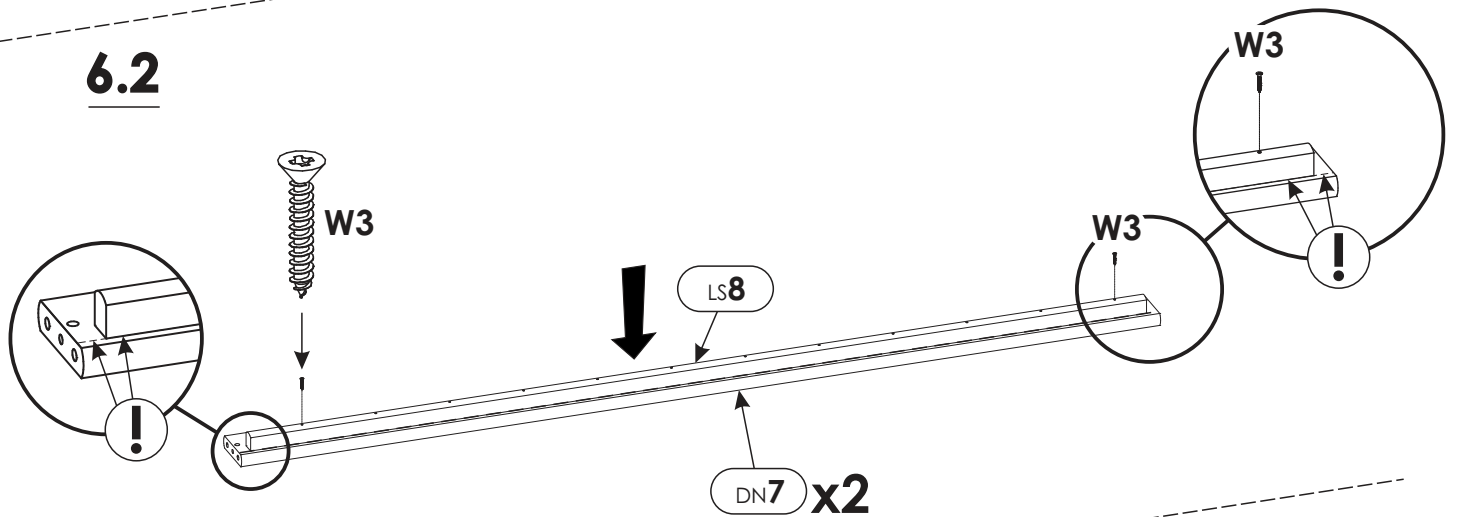


6.

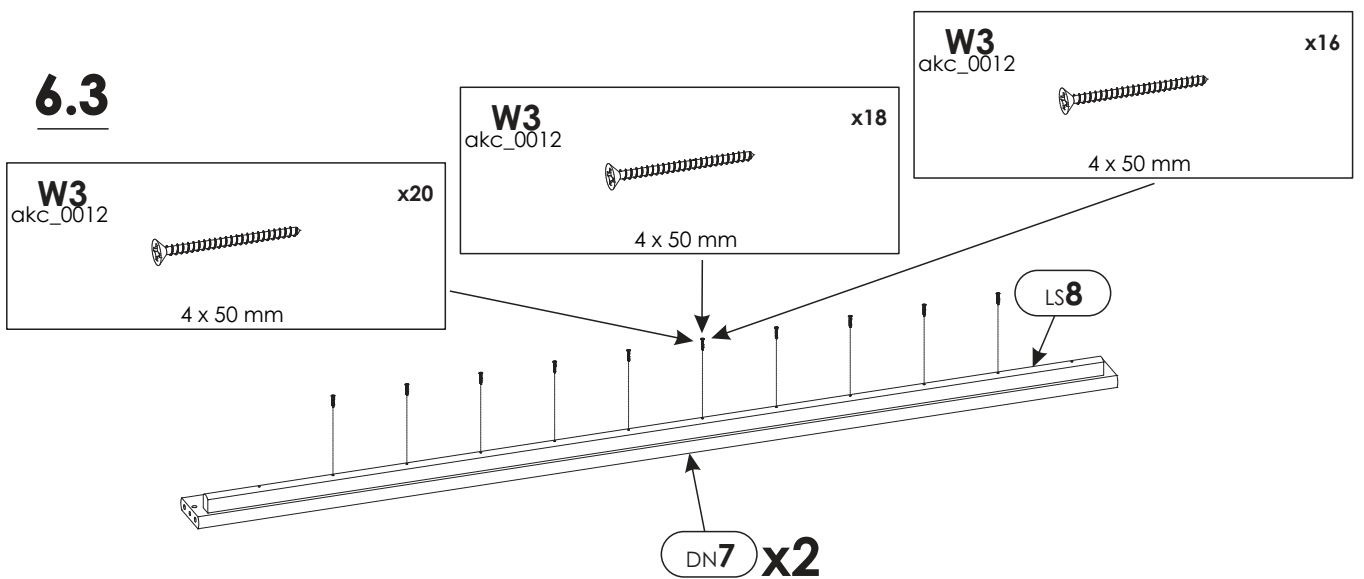
6.1



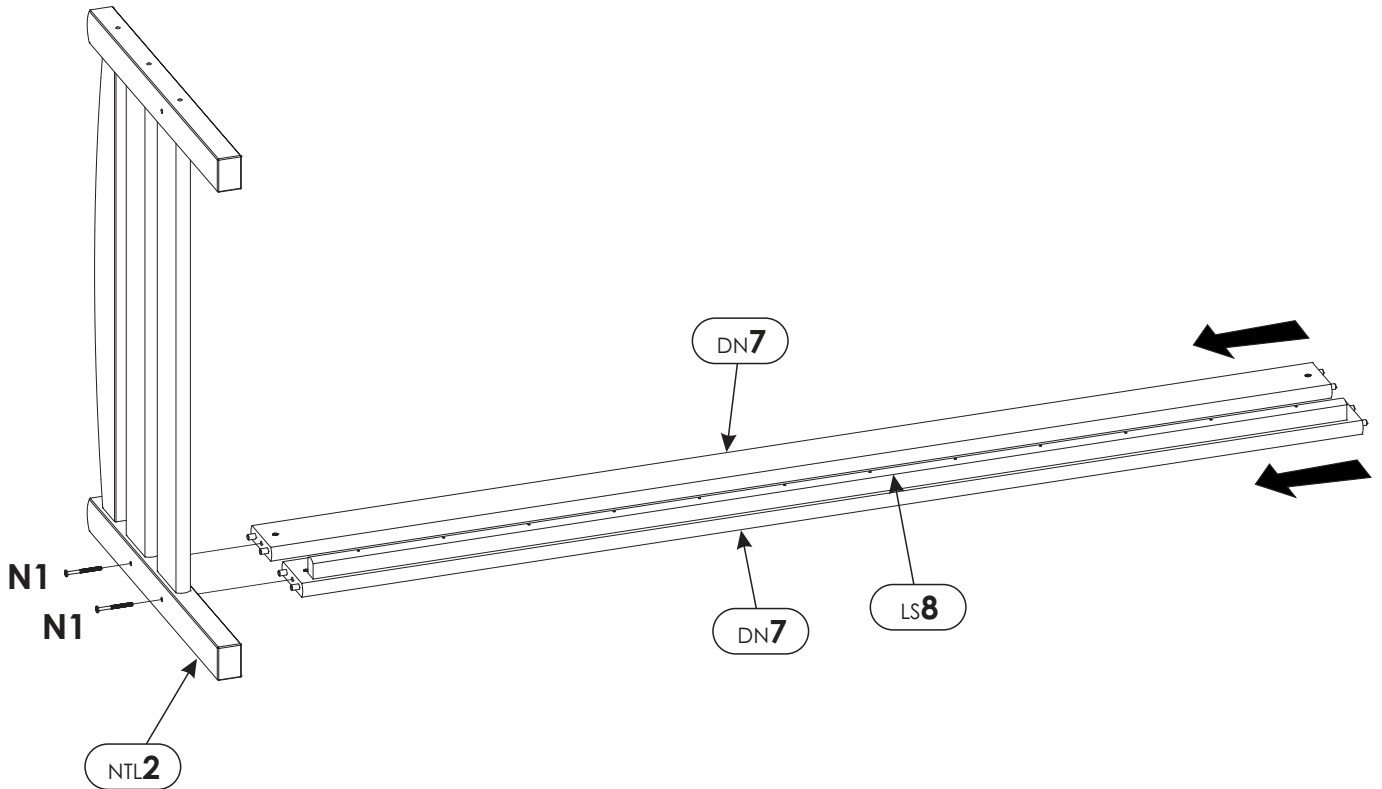
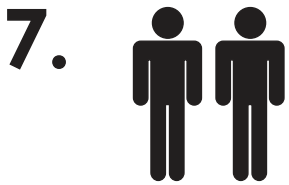
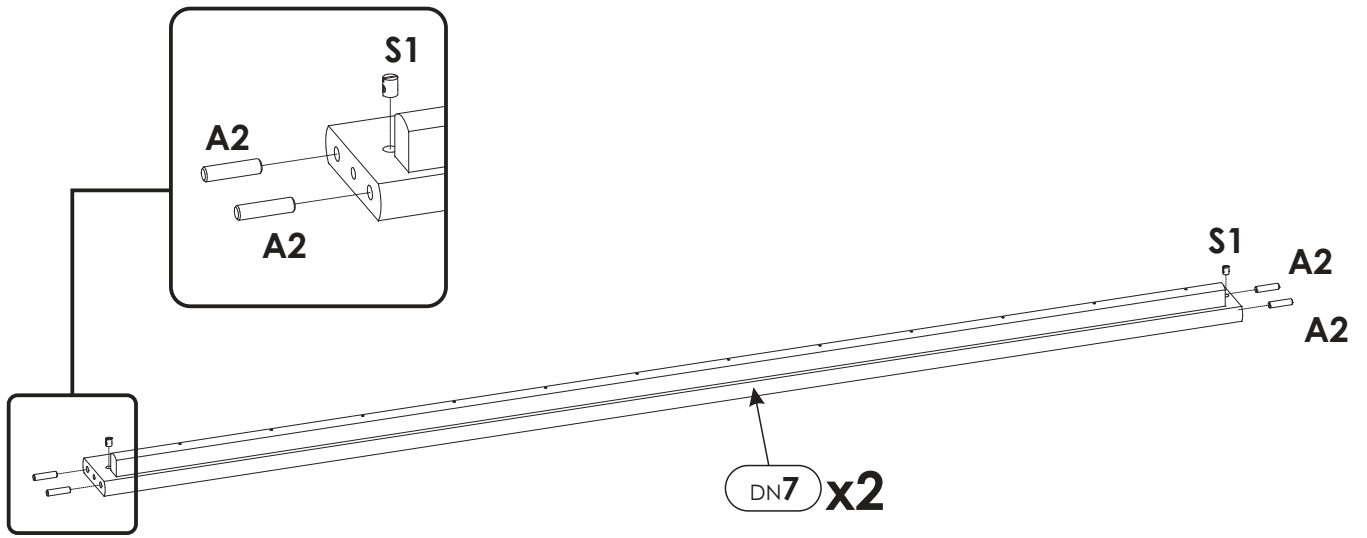
6.2



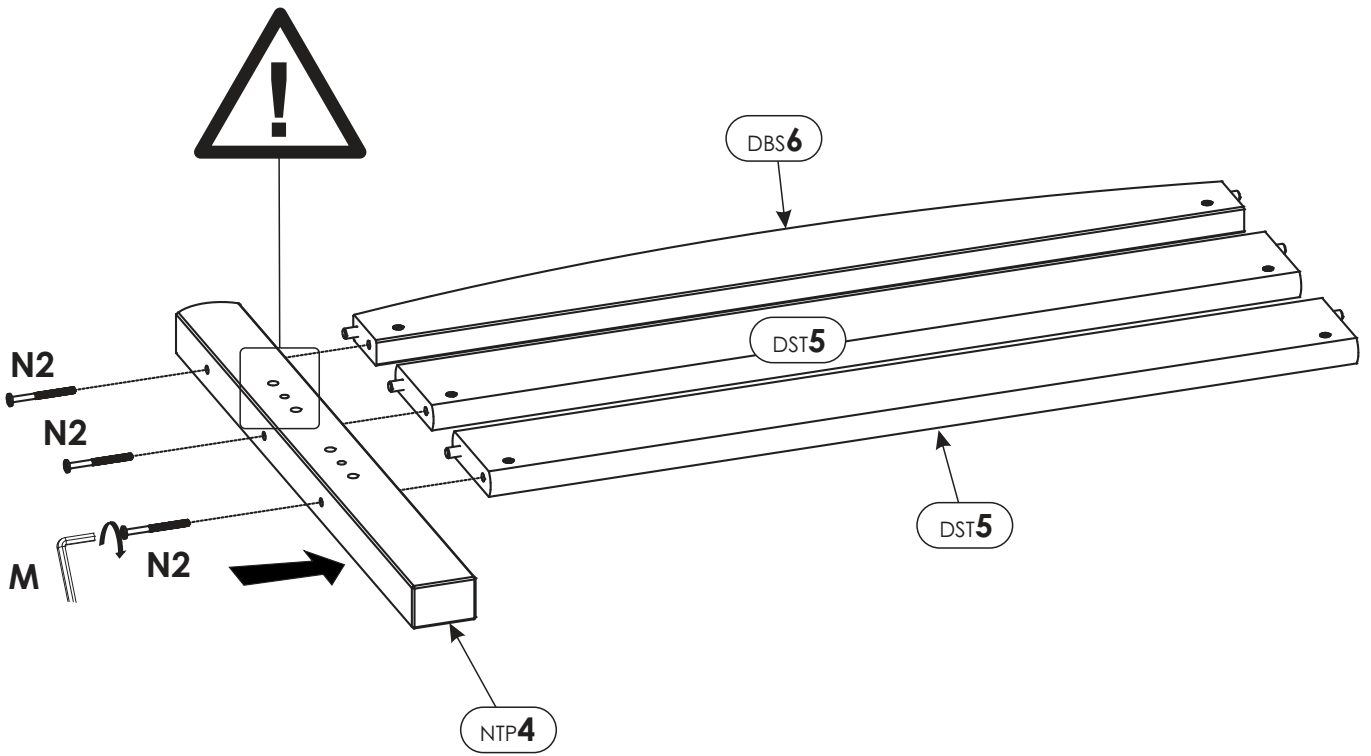
6.3



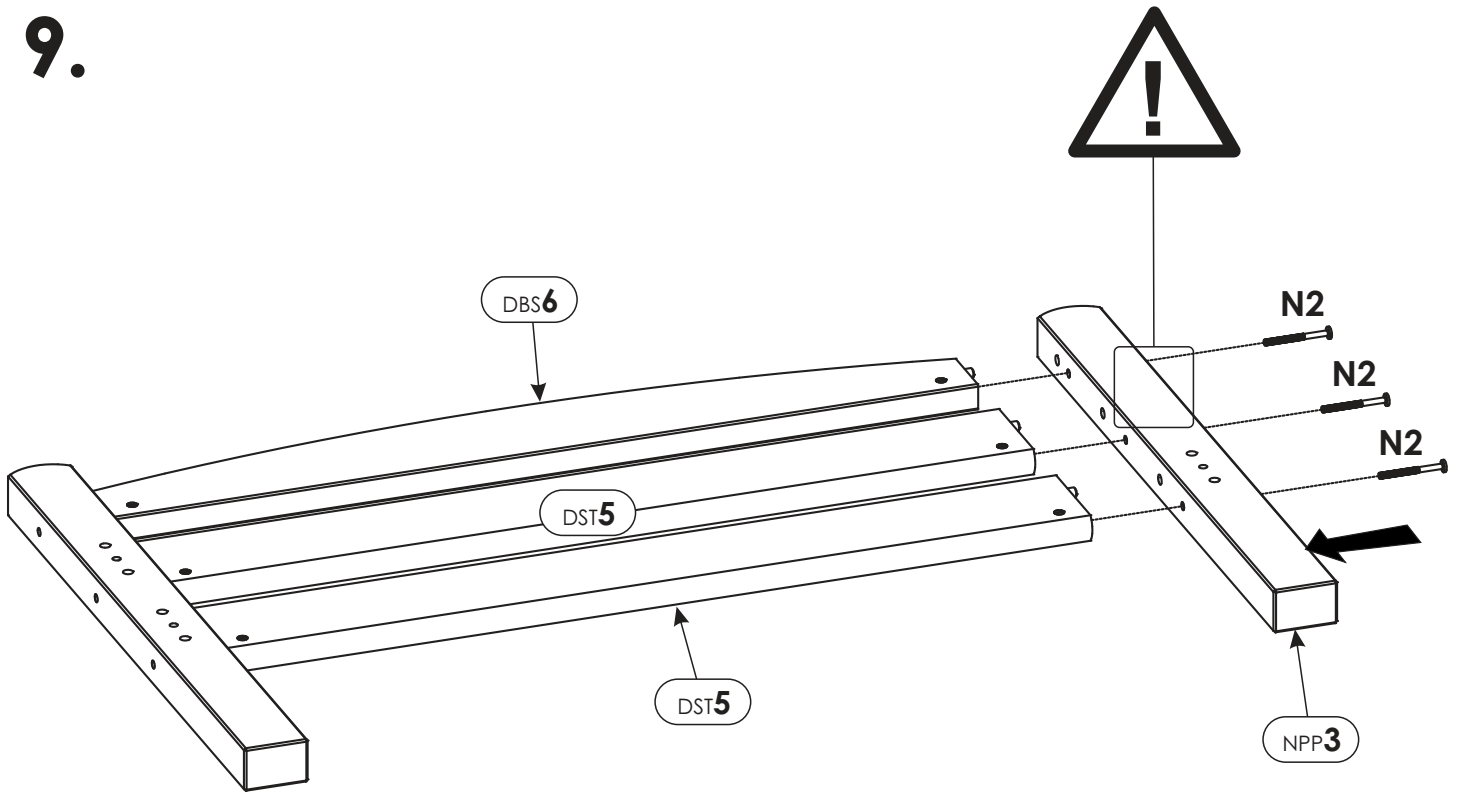
6.4



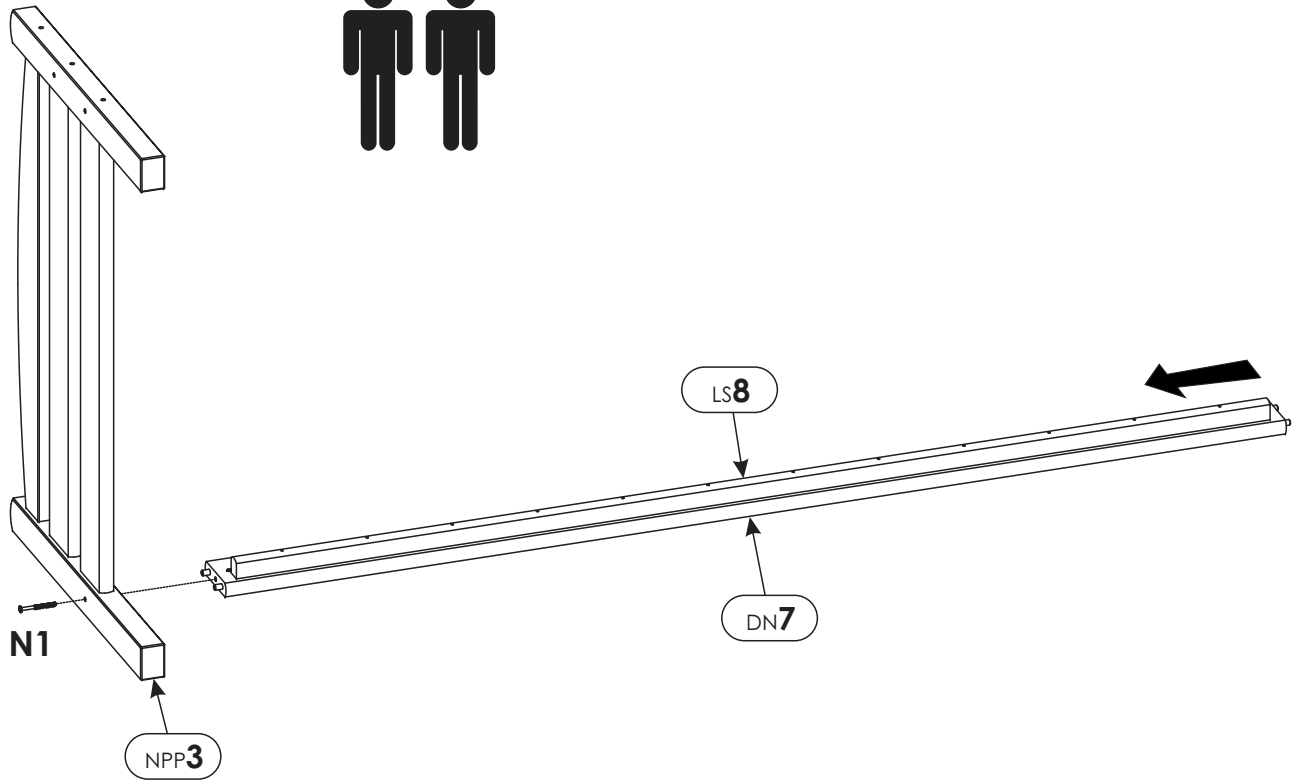
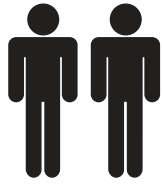
8.



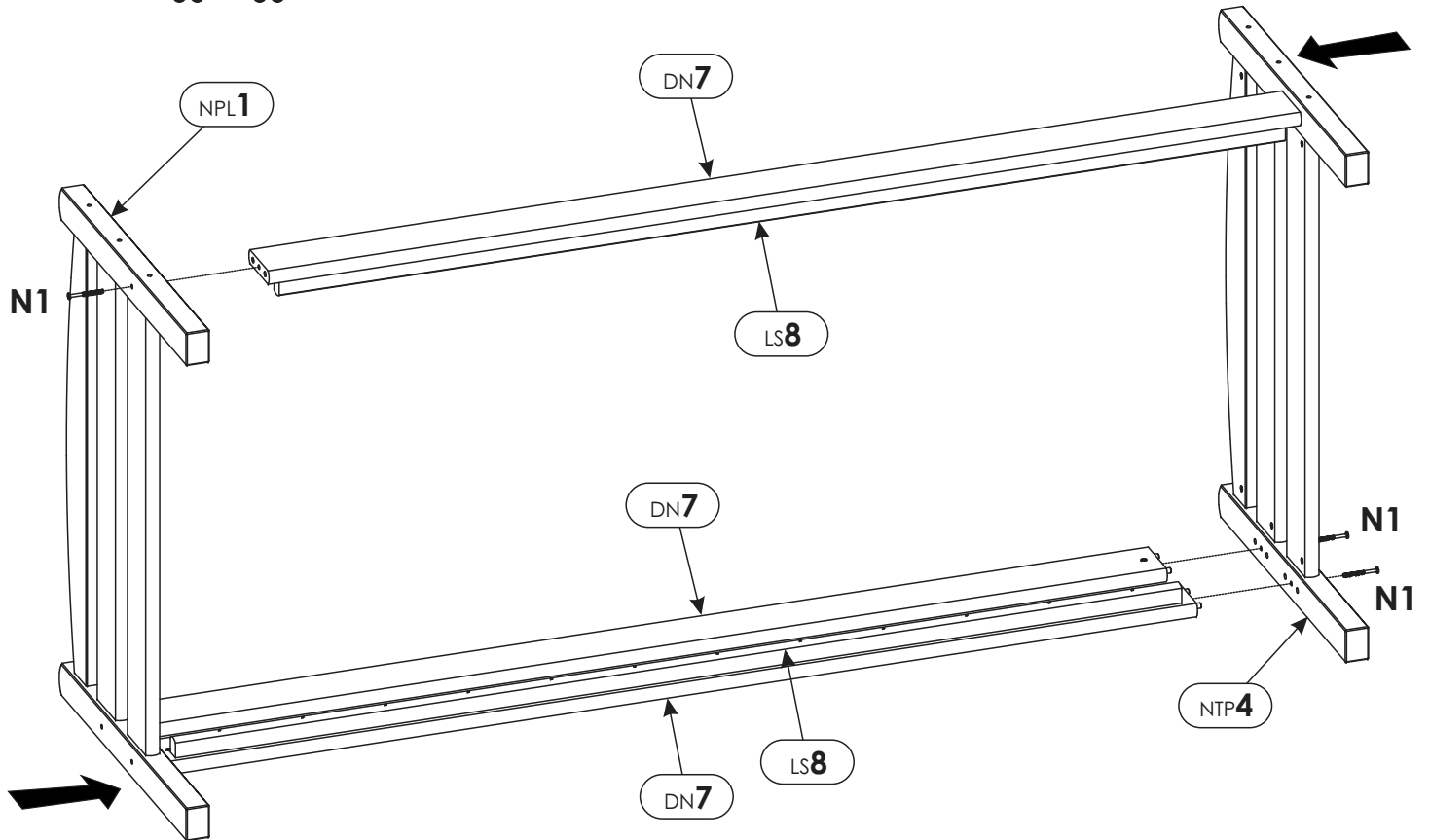
9.



10.



11.



12.

