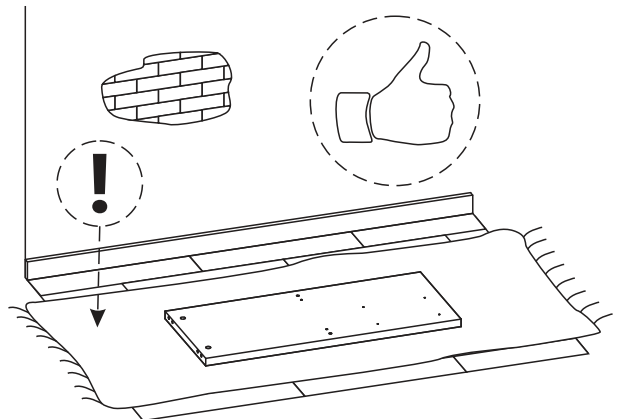
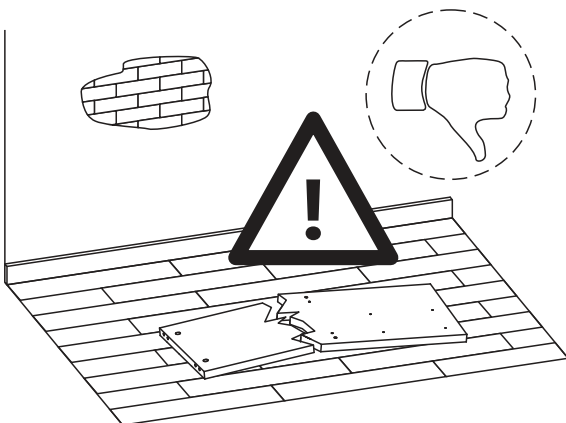
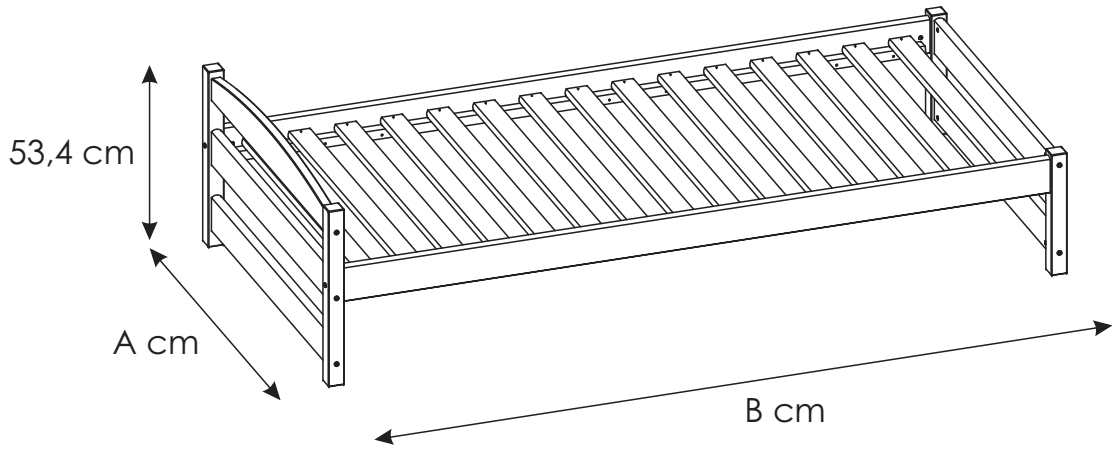
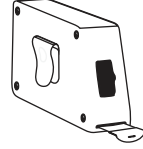
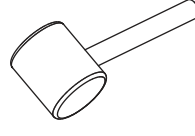
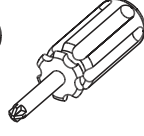
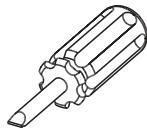
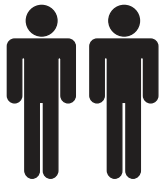


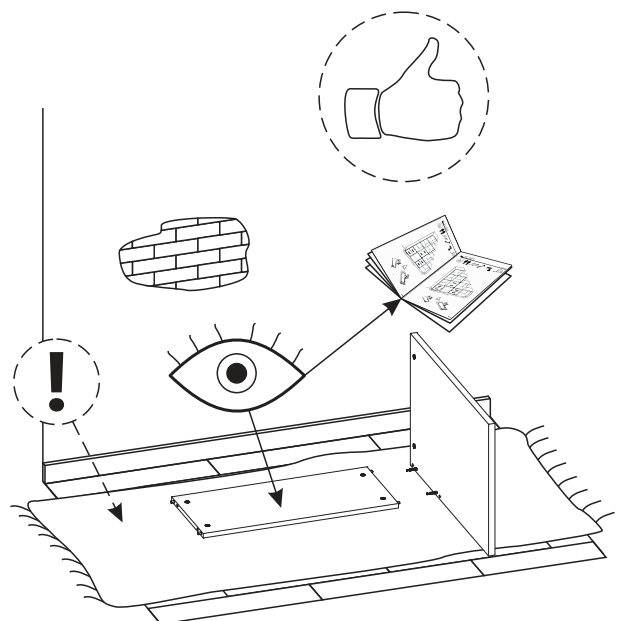
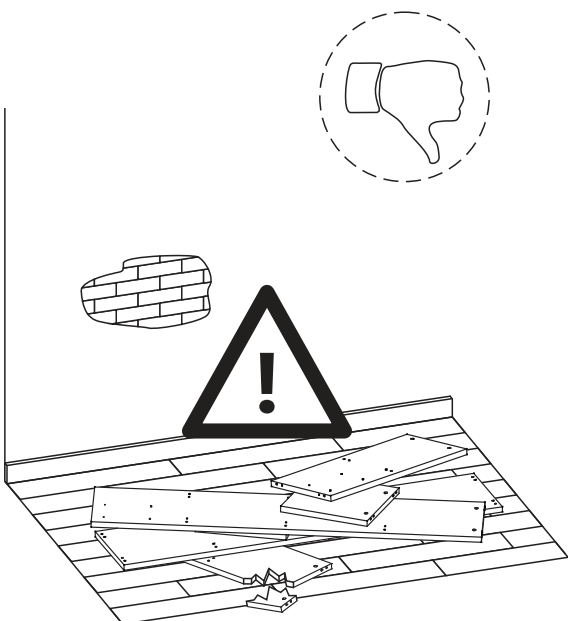
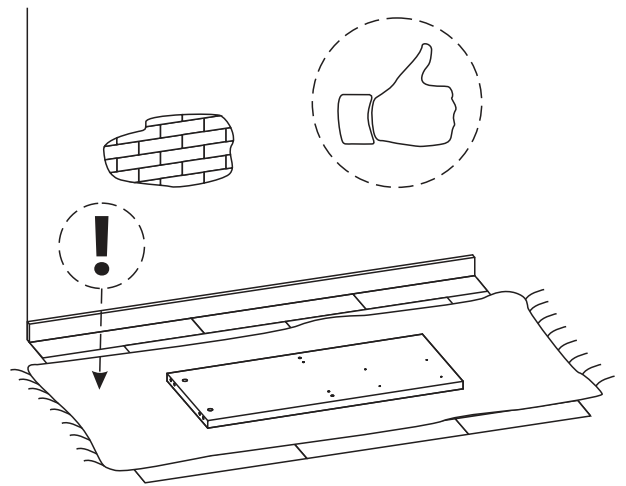
# JULIA

---

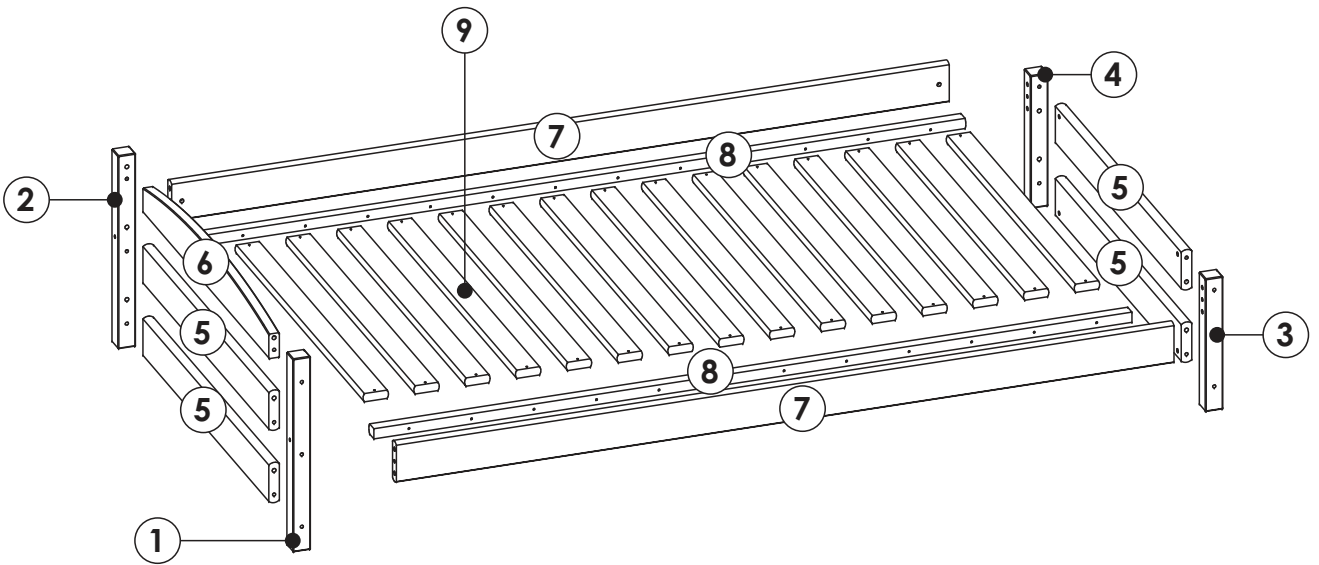
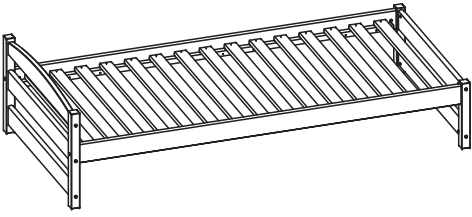


90 min



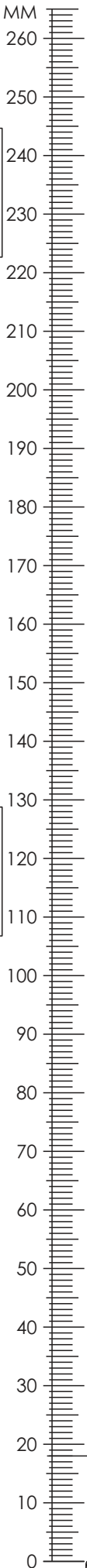


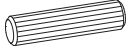

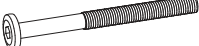

# JULIA




PL <b>1</b>	512	45	45	x1	JNPL_02750
TL <b>2</b>	512	45	45	x1	JNTL_02760
PP <b>3</b>	352	45	45	x1	JNPP_02770
TP <b>4</b>	352	45	45	x1	JNTP_02780
DST <b>5</b>	585, 685, 785, 885, 985	107	27	x4	DST_00120
DBS <b>6</b>	585, 685, 785, 885, 985	107	27	x1	DBS_01470
DN <b>7</b>	1390, 1590, 1690, 1790, 1890, 1990	107	27	x2	DN_00110
LS <b>8</b>	1340, 1540, 1640, 1740, 1840, 1940	35	27	x2	LS_00160


# JULIA



<b>A2</b> akc_0002  10 x 40 mm x18	<b>M</b> akc_0005  x1	<b>N1</b> akc_0006  6 x 80 mm x14
<b>S1</b> akc_0008  10 x 16 mm x14		

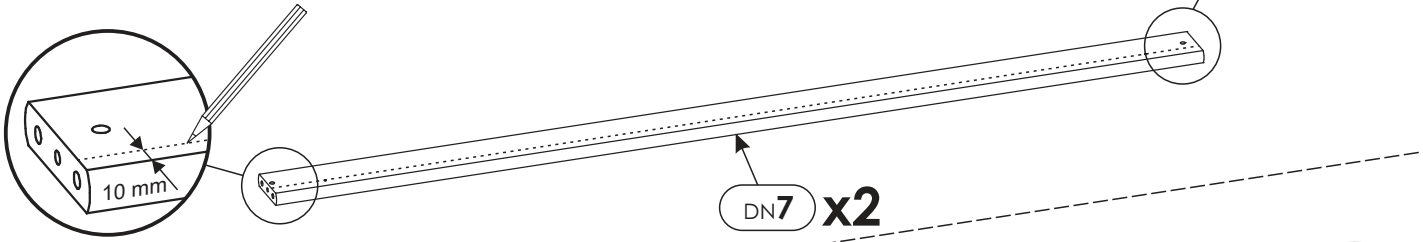
----- OPTION -----

<b>W1</b> akc_0009  3,5 x 40 mm 20 < x < 30
--

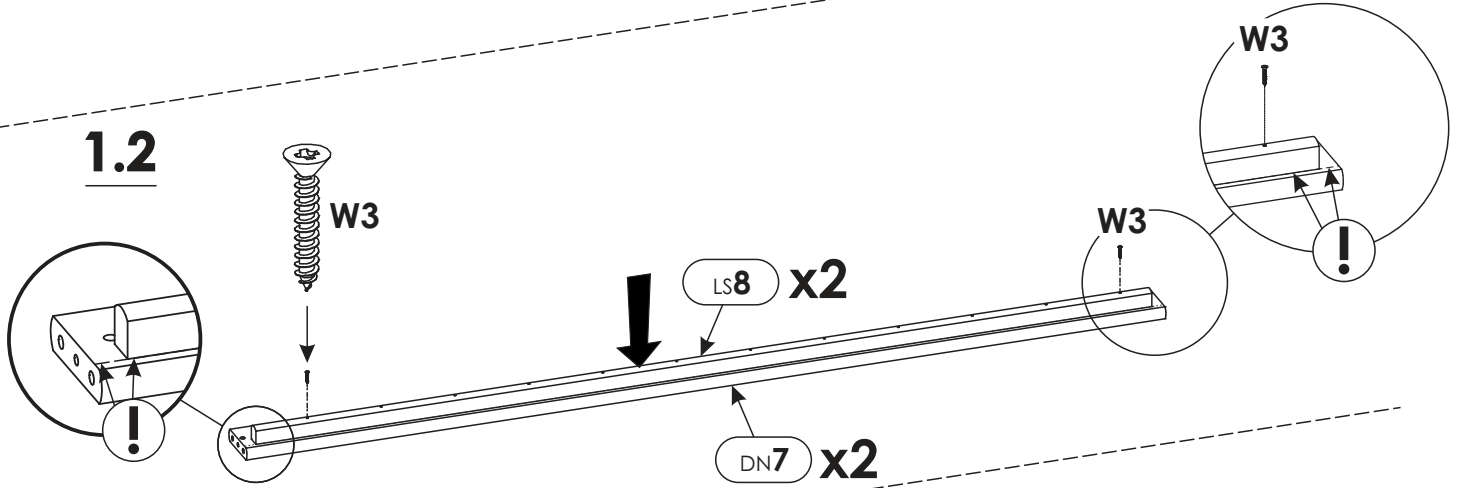
<b>W3</b> akc_0011  4 x 50 mm 20 < x < 24
--

# 1.

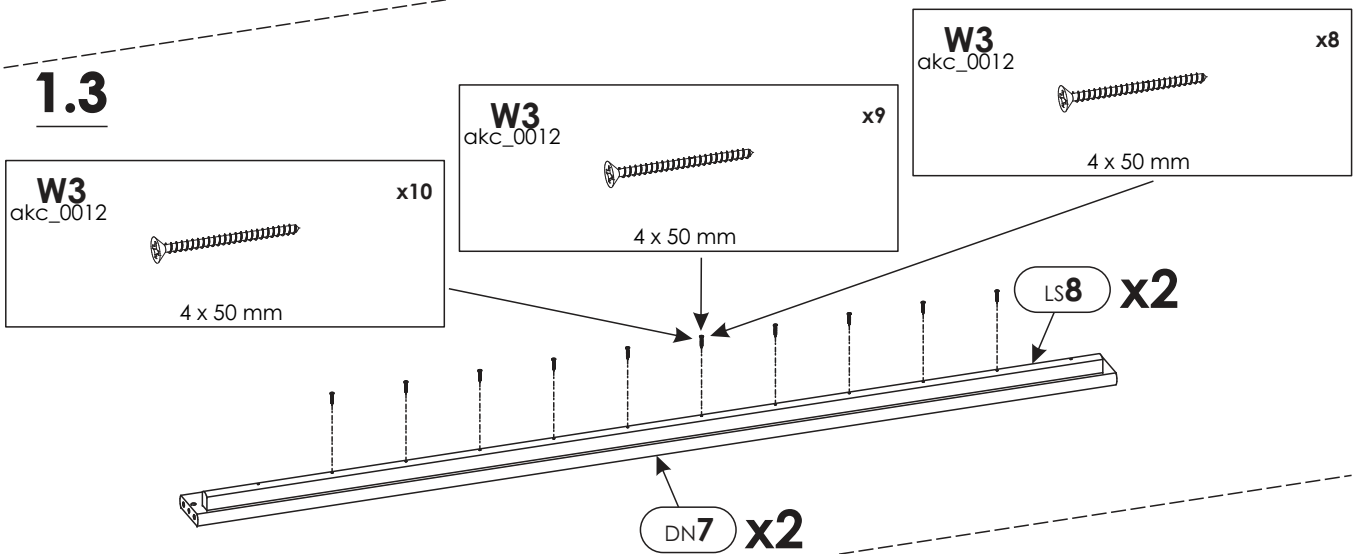
## 1.1



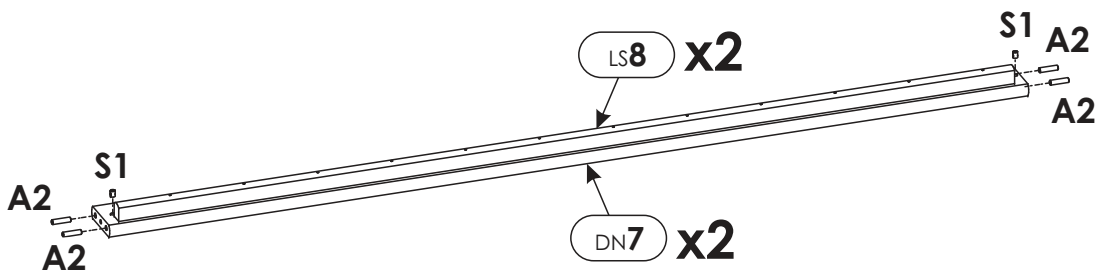
## 1.2



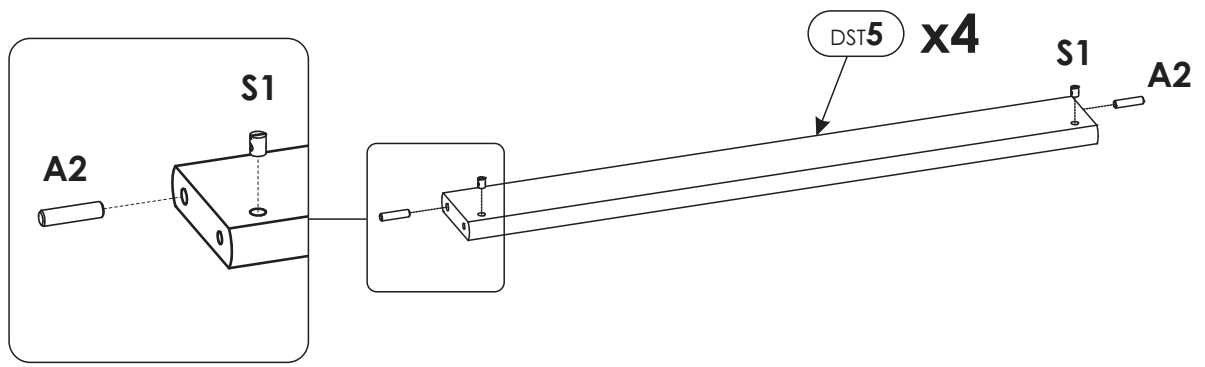
## 1.3



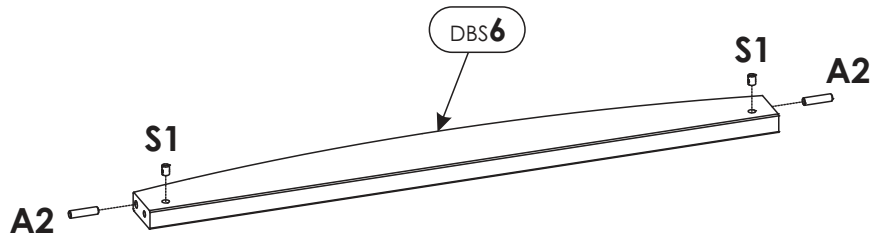
## 1.4



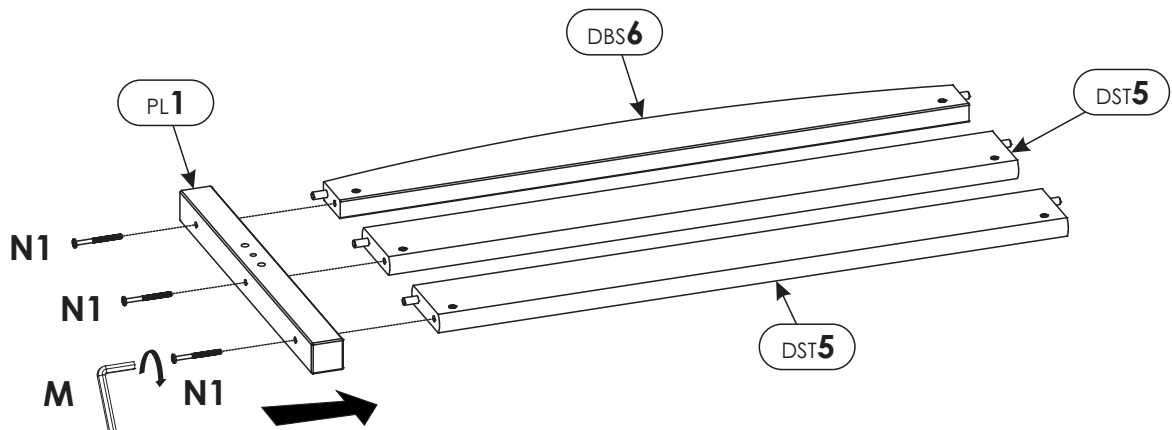
2.



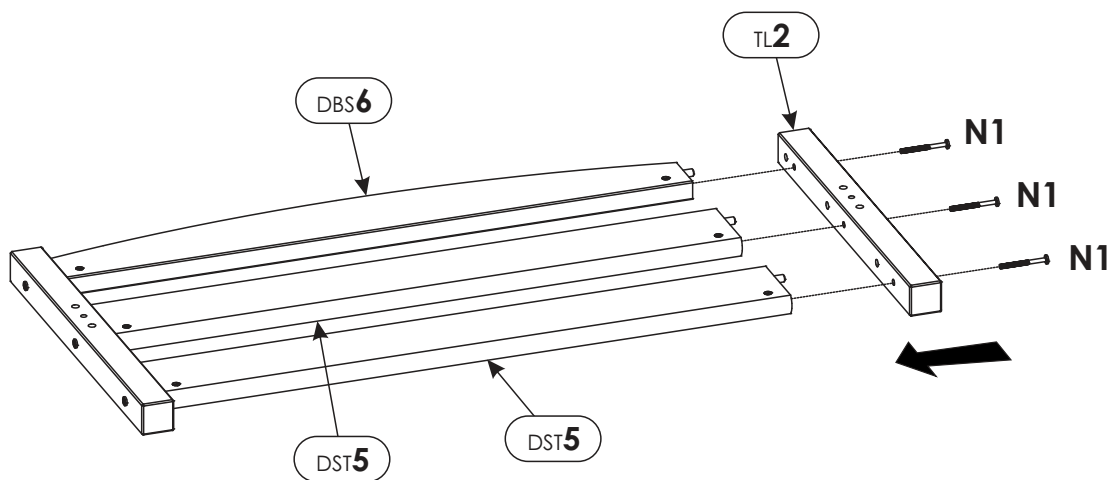
3.



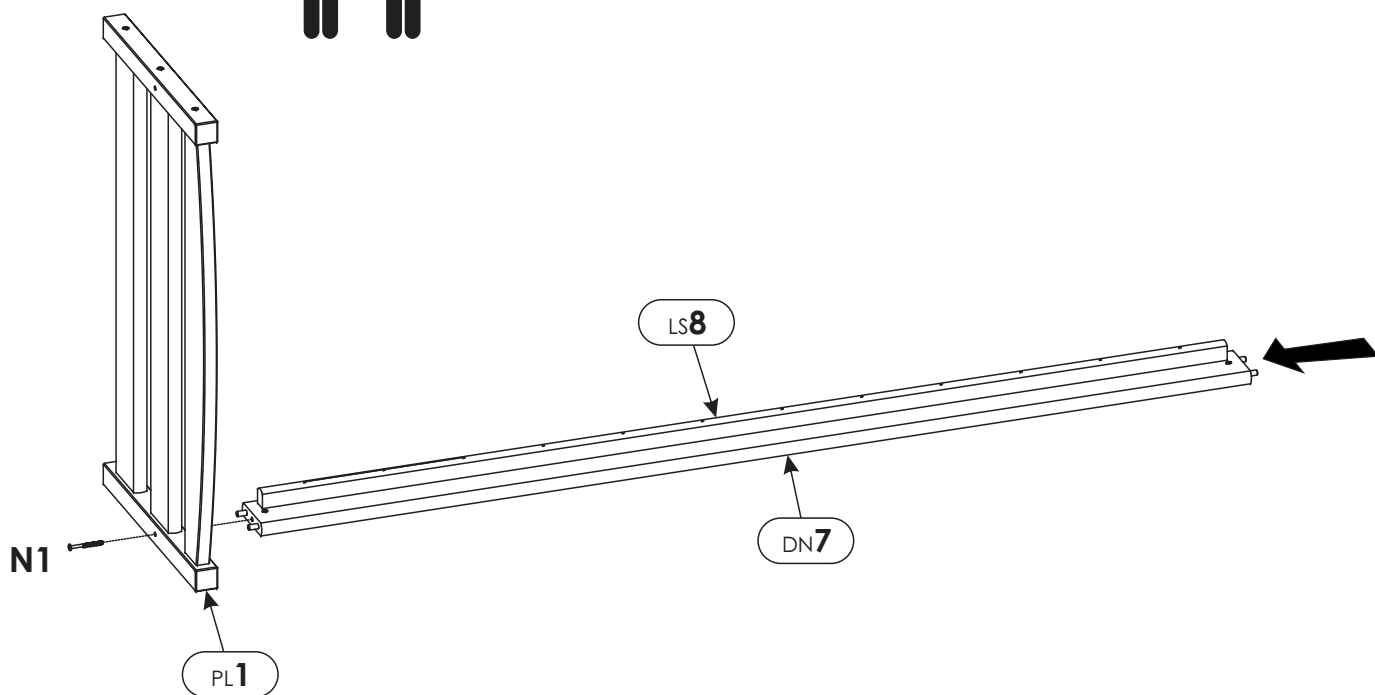
4.



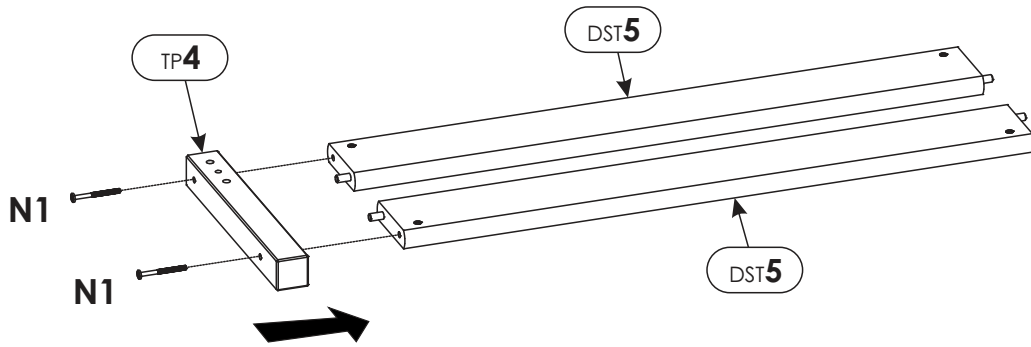
5.



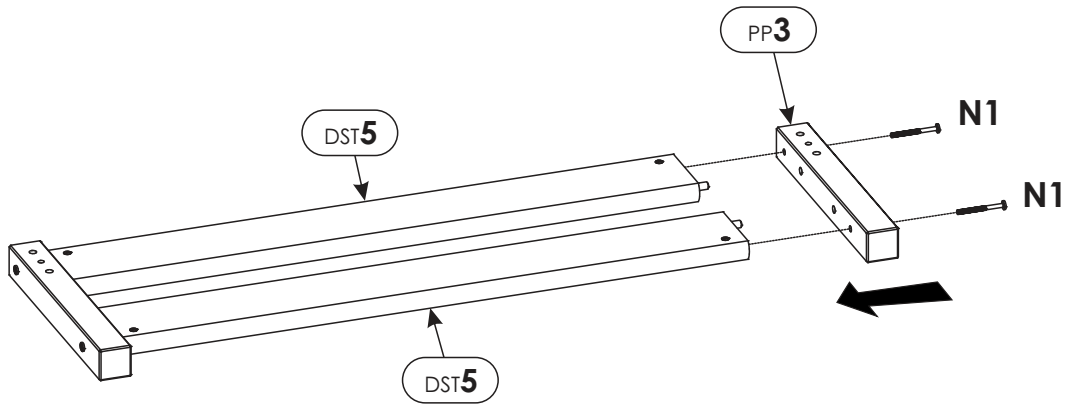
6.



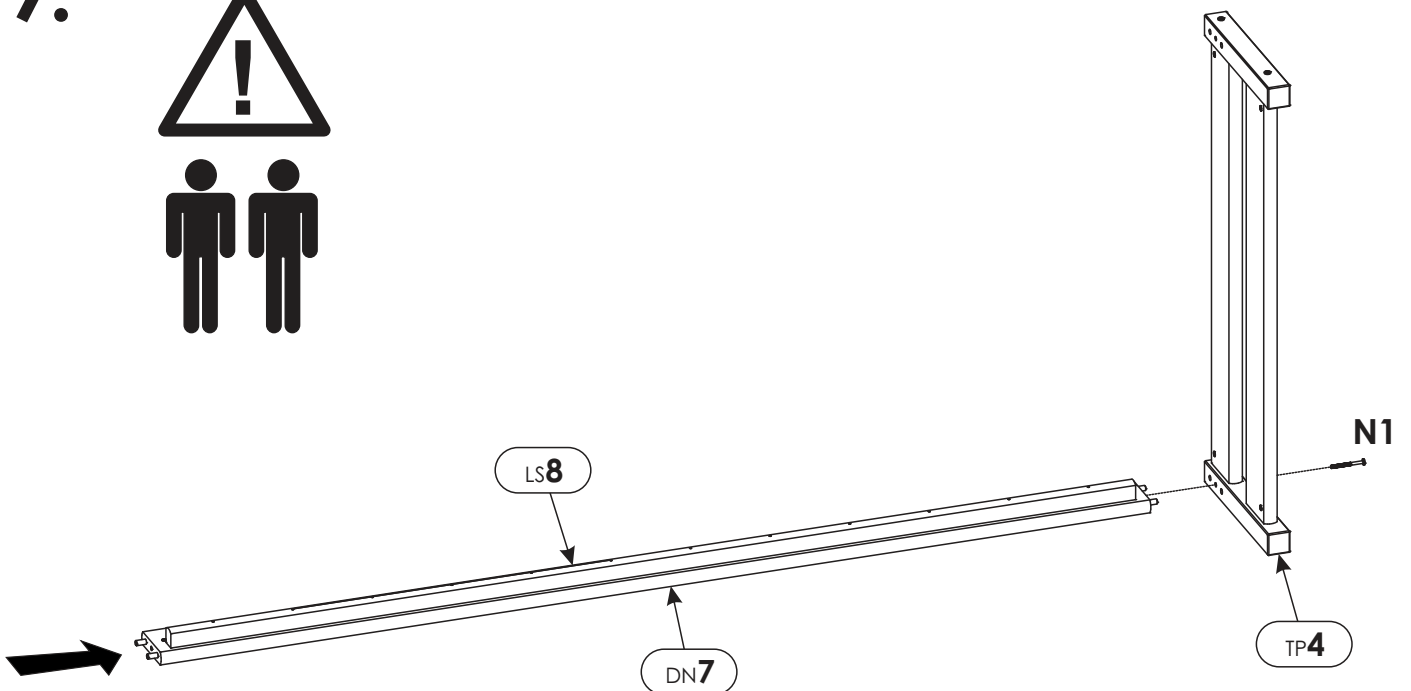
7.



8.

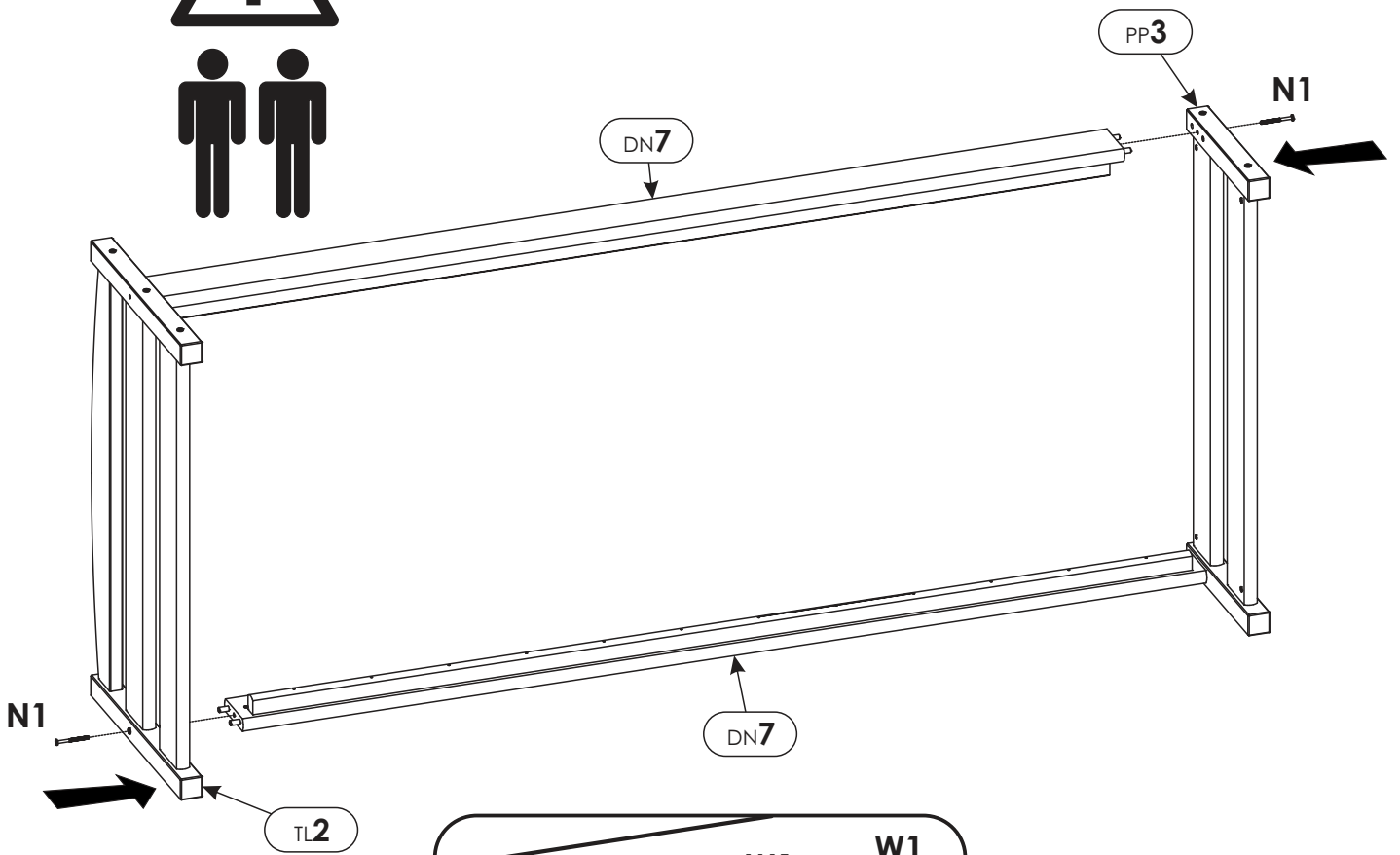


9.





10.



11.

