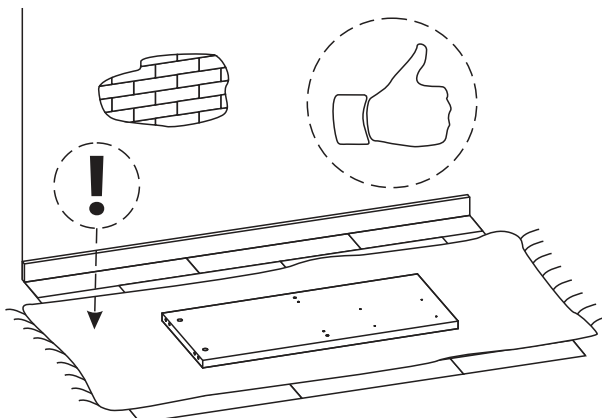
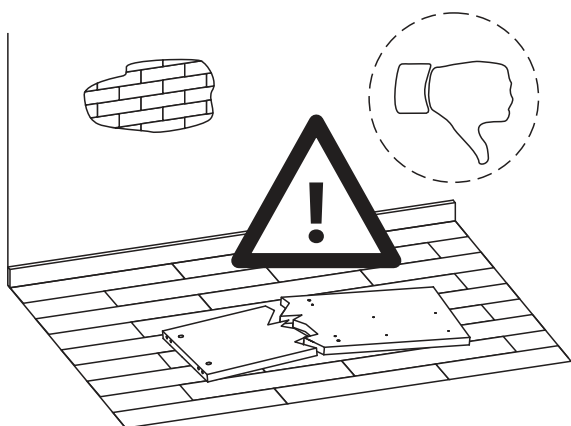
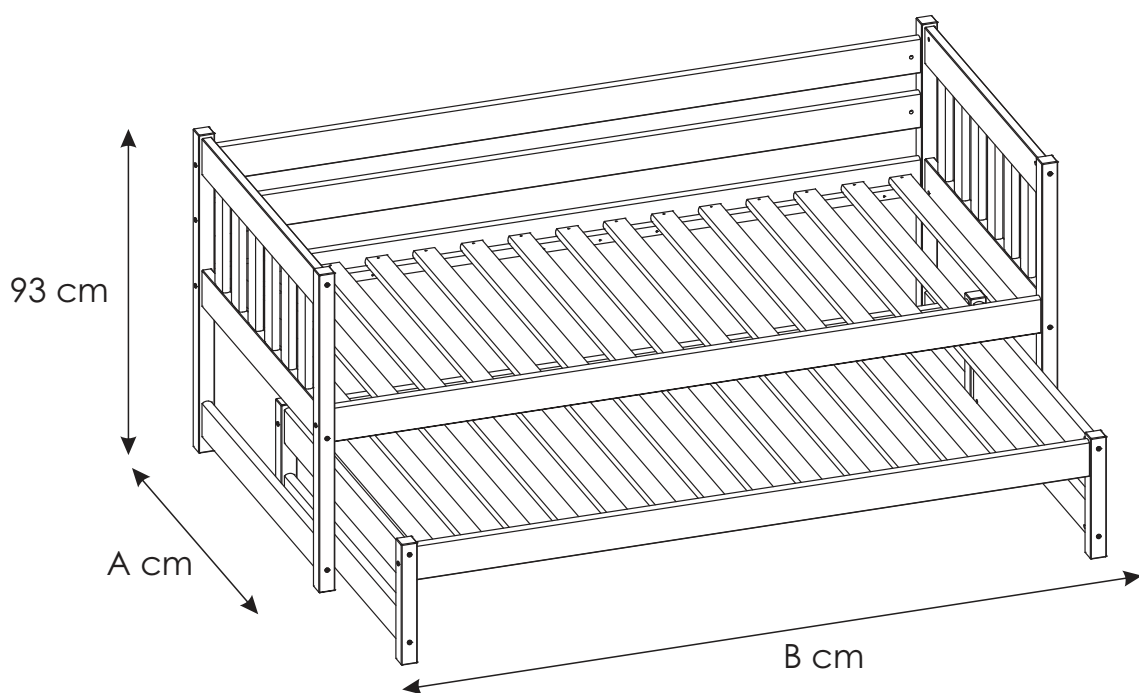
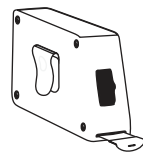
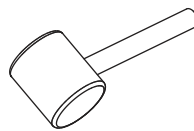
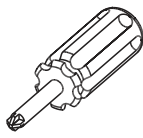
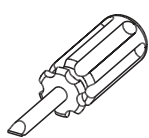
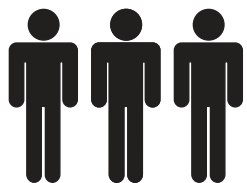
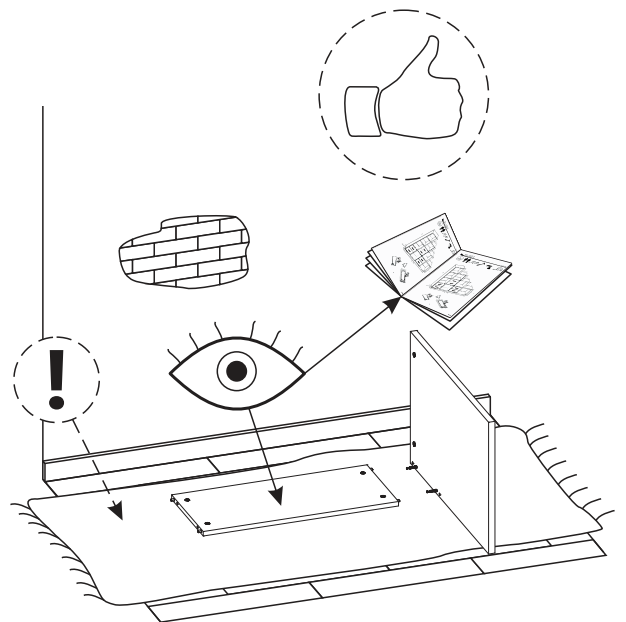
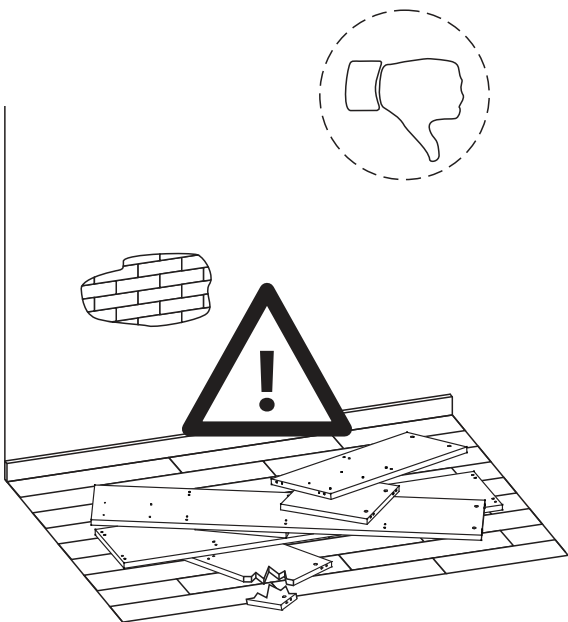
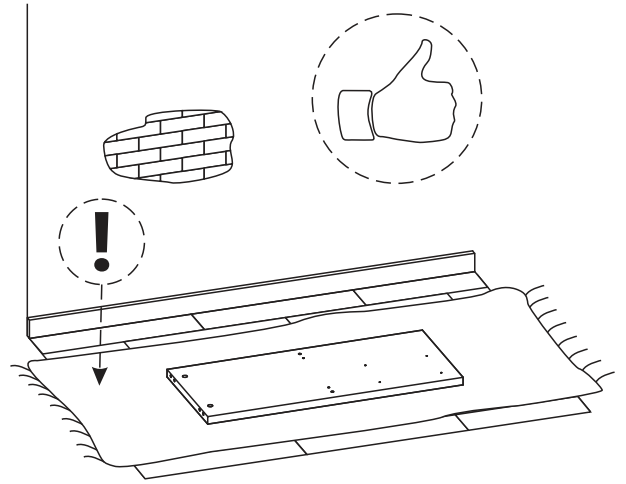
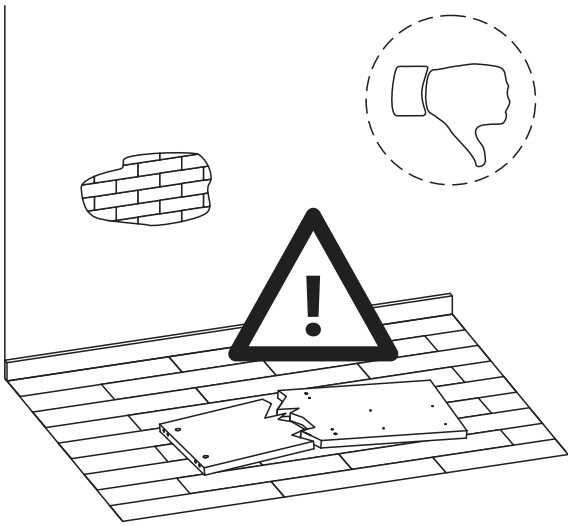
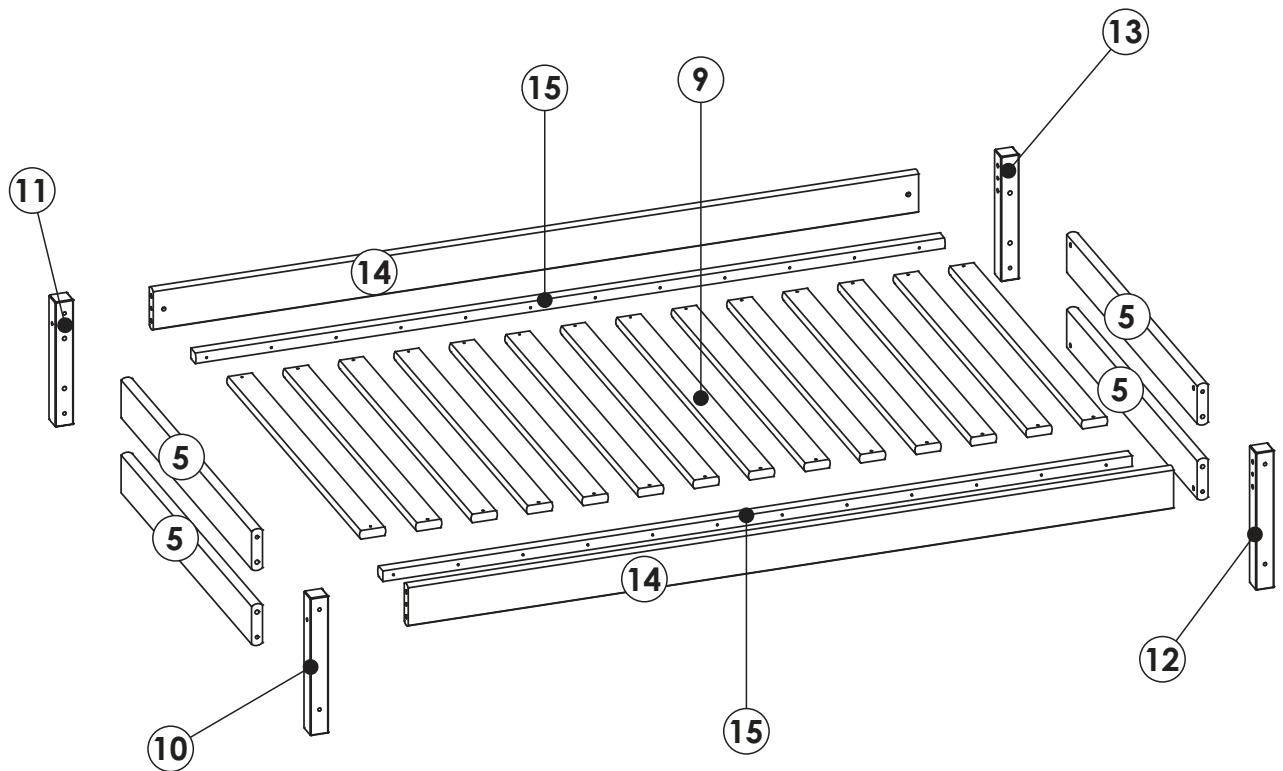
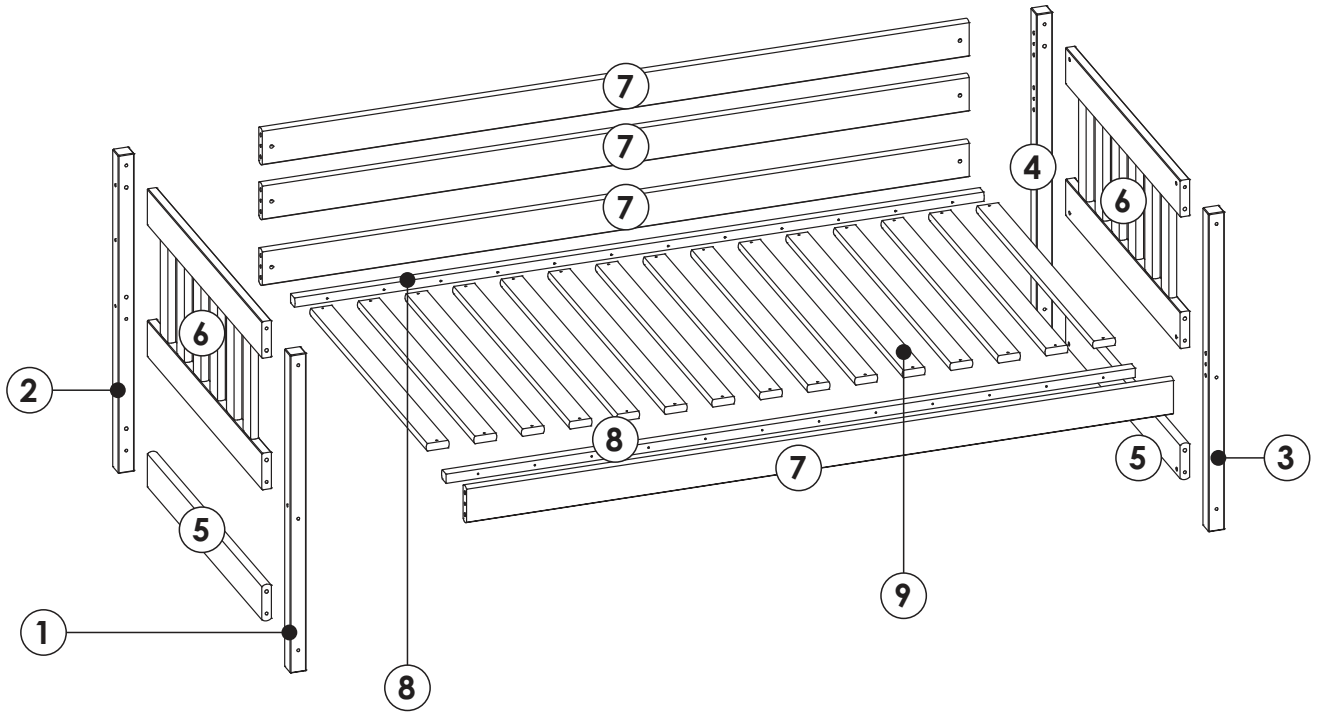
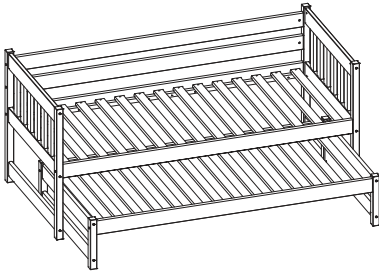


# BENIAMIN





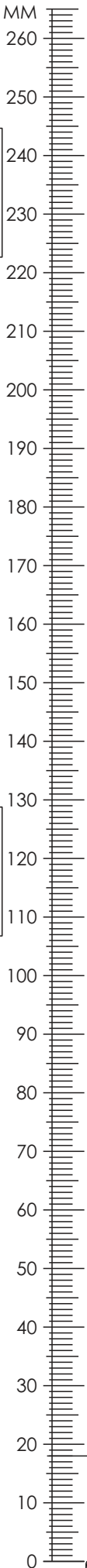
# BENIAMIN

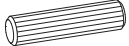
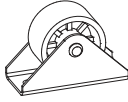





# BENIAMIN


BNPL <b>1</b>	928	45	45	x1	BNPL_02740
BNTL <b>2</b>	928	45	45	x1	BNTL_02720
BNPP <b>3</b>	928	45	45	x1	BNPP_02730
BNTP <b>4</b>	928	45	45	x1	BNTP_02710
DST <b>5</b>	585, 685, 785, 885, 985	107	27	x6	DST_00120
PB <b>6</b>	585, 685, 785, 885, 985	491	27	x2	PS_00470 DP_00480
DN <b>7</b>	1190, 1390, 1590, 1690, 1790, 1890, 1990	107	27	x4	DN_00110
LS <b>8</b>	1140, 1340, 1540, 1640, 1740, 1840, 1940	35	27	x2	LS_00160
WPL <b>10</b>	352	45	45	x1	NWPL_01060
WTL <b>11</b>	320	45	45	x1	NWTL_01080
WPP <b>12</b>	352	45	45	x1	NWPP_01070
WTP <b>13</b>	320	45	45	x1	NWTP_01090
DND <b>14</b>	1090, 1290, 1490, 1590, 1690, 1790, 1890	107	27	x2	DN_00110
LS <b>15</b>	1050, 1250, 1450, 1550, 1650, 1750, 1850	35	27	x2	LS_00160


# BENIAMIN



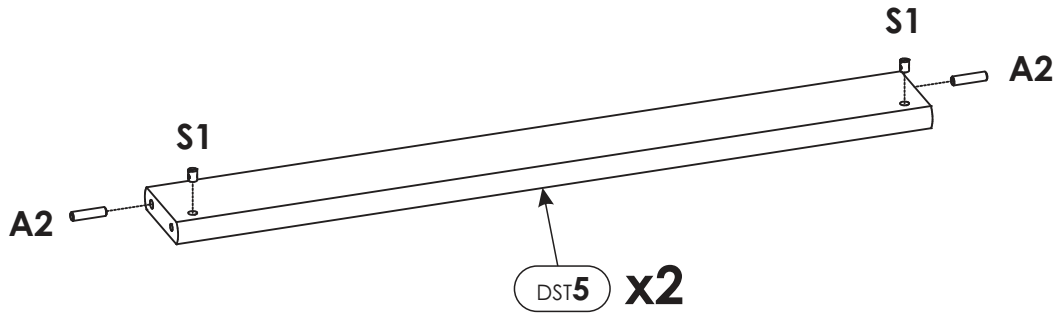
<p><b>A2</b> akc_0002</p>  <p>10 x 40 mm</p> <p style="text-align: right;"><b>x44</b></p>	<p><b>J1</b> akc_0016</p>  <p style="text-align: right;"><b>x2</b></p>	<p><b>M</b> akc_0005</p>  <p style="text-align: right;"><b>x1</b></p>
<p><b>N1</b> akc_0006</p>  <p>6 x 80 mm</p> <p style="text-align: right;"><b>x32</b></p>	<p><b>S1</b> akc_0008</p>  <p>10 x 16 mm</p> <p style="text-align: right;"><b>x32</b></p>	

----- **OPTION** -----

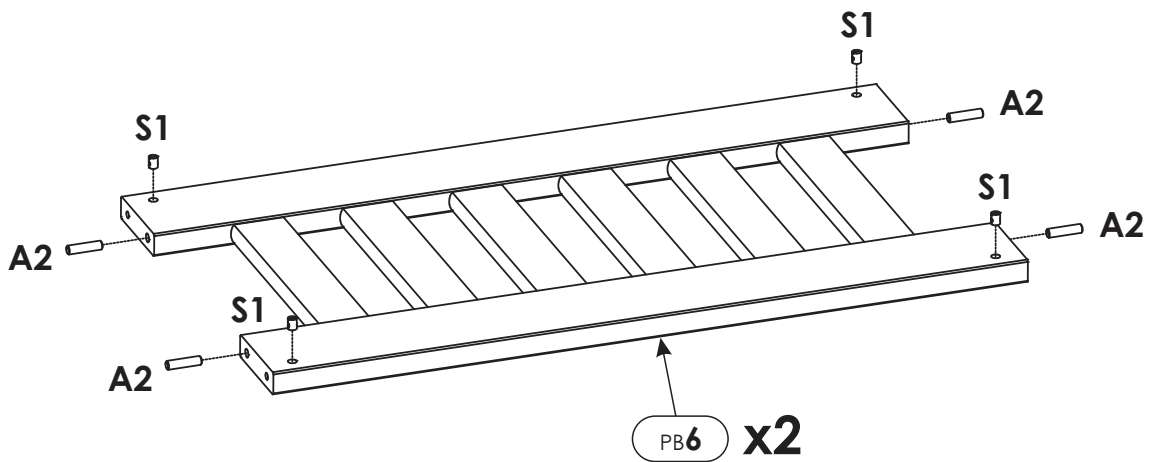
<p><b>W1</b> akc_0009</p>  <p>3,5 x 40 mm</p> <p style="text-align: right;"><b>38 &lt; x &lt; 62</b></p>
---

<p><b>W3</b> akc_0011</p>  <p>4 x 50 mm</p> <p style="text-align: right;"><b>40 &lt; x &lt; 48</b></p>
---

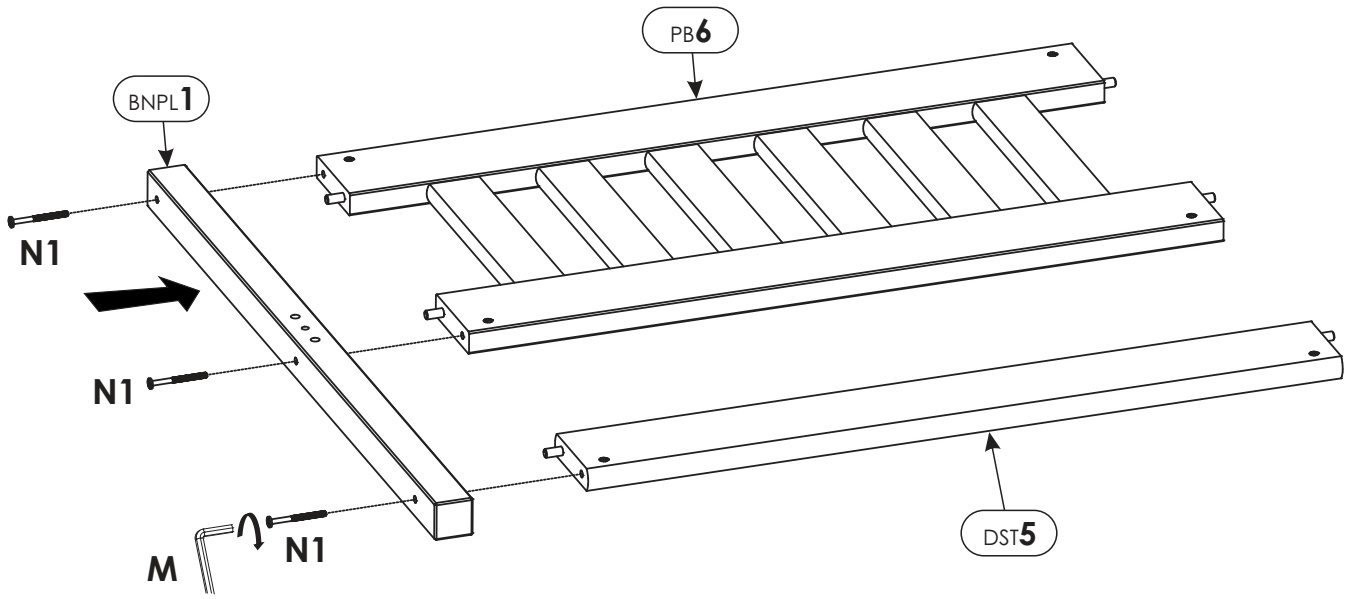
# 1.



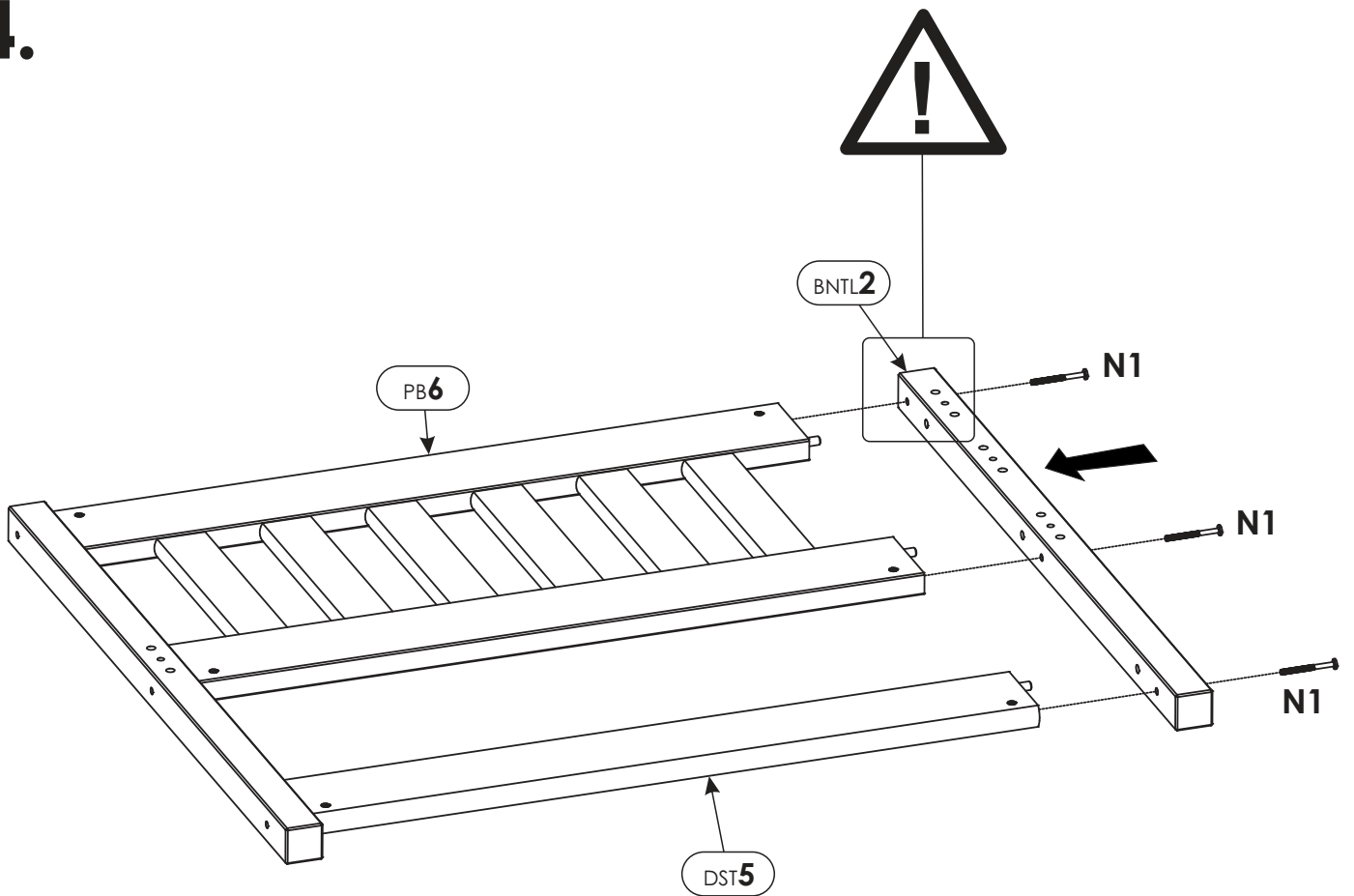
# 2.



3.

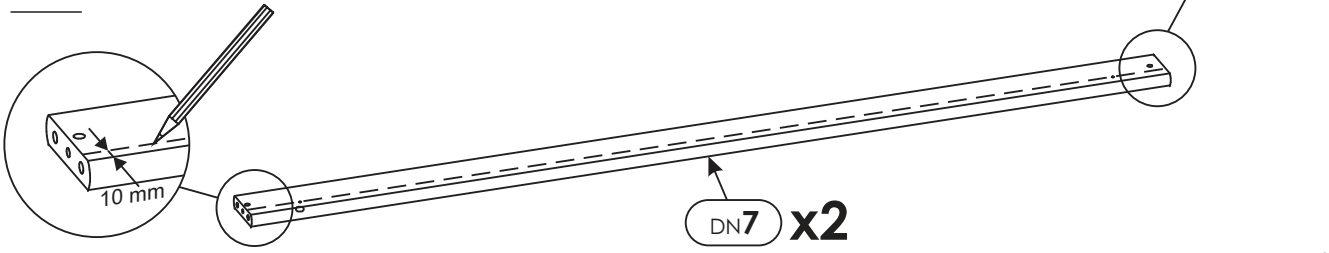


4.

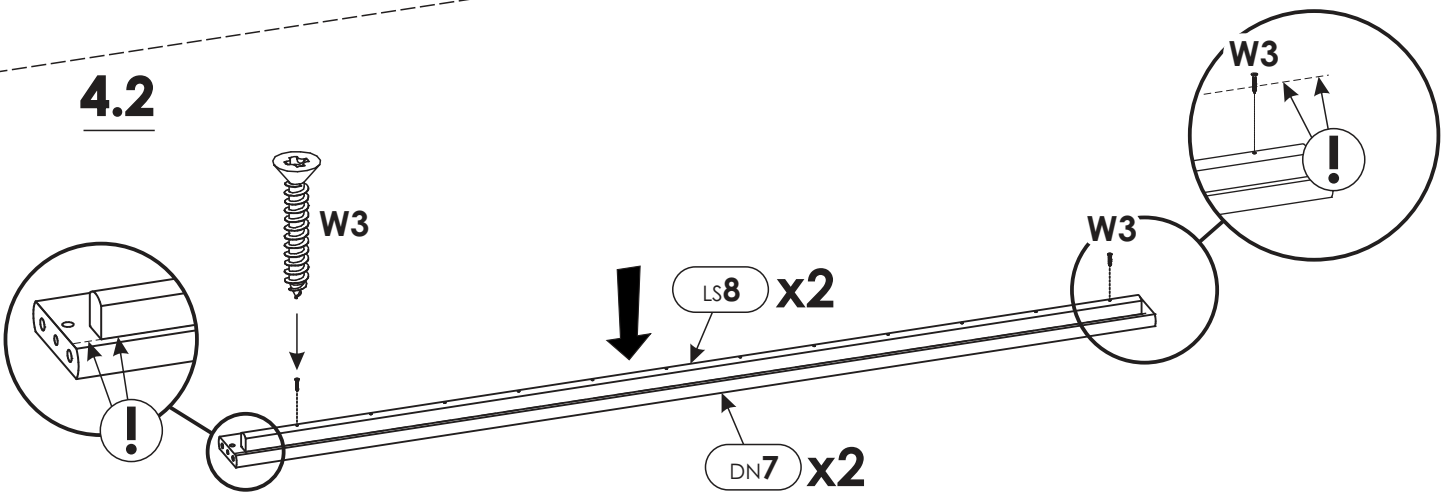


# 4.

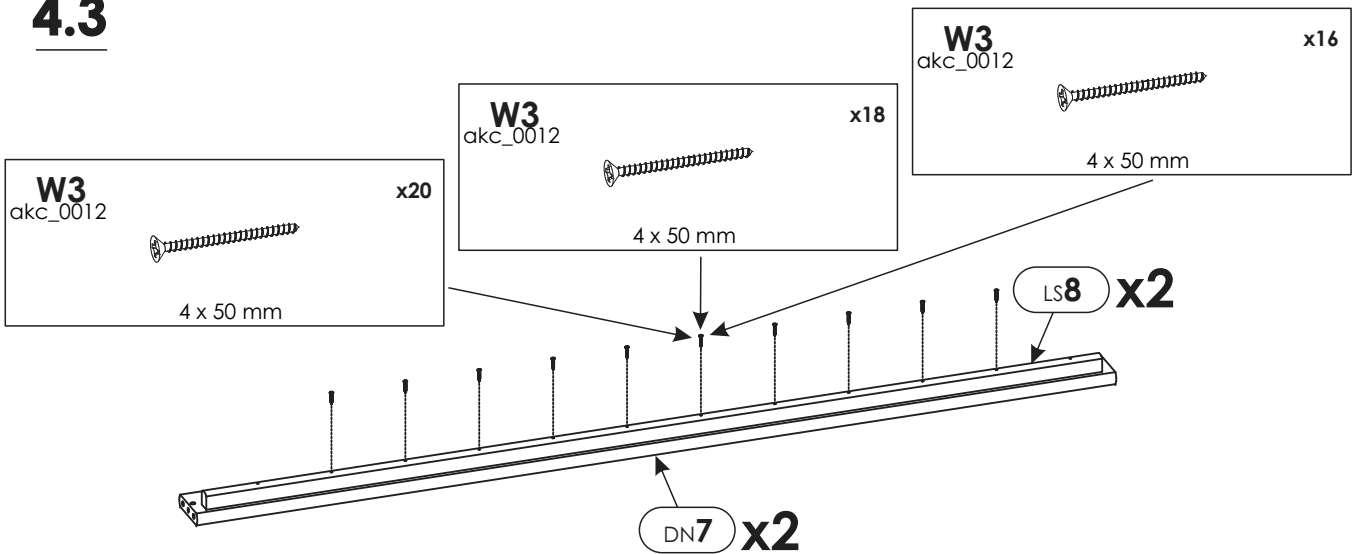
## 4.1



## 4.2

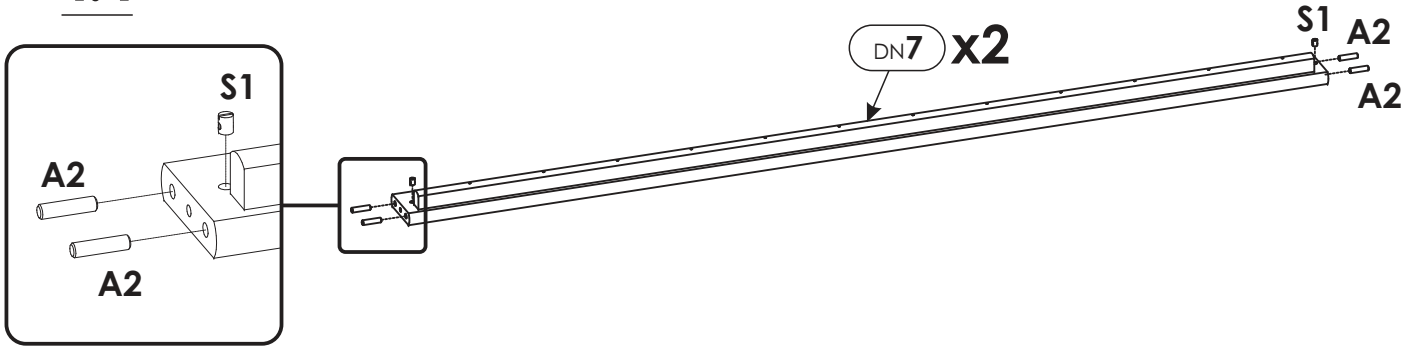


## 4.3

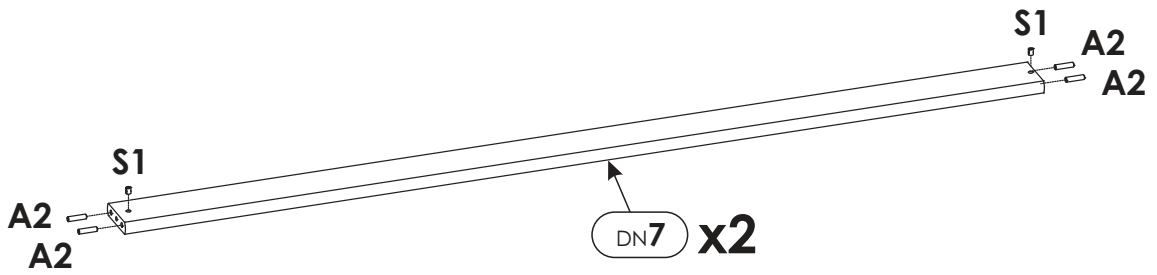




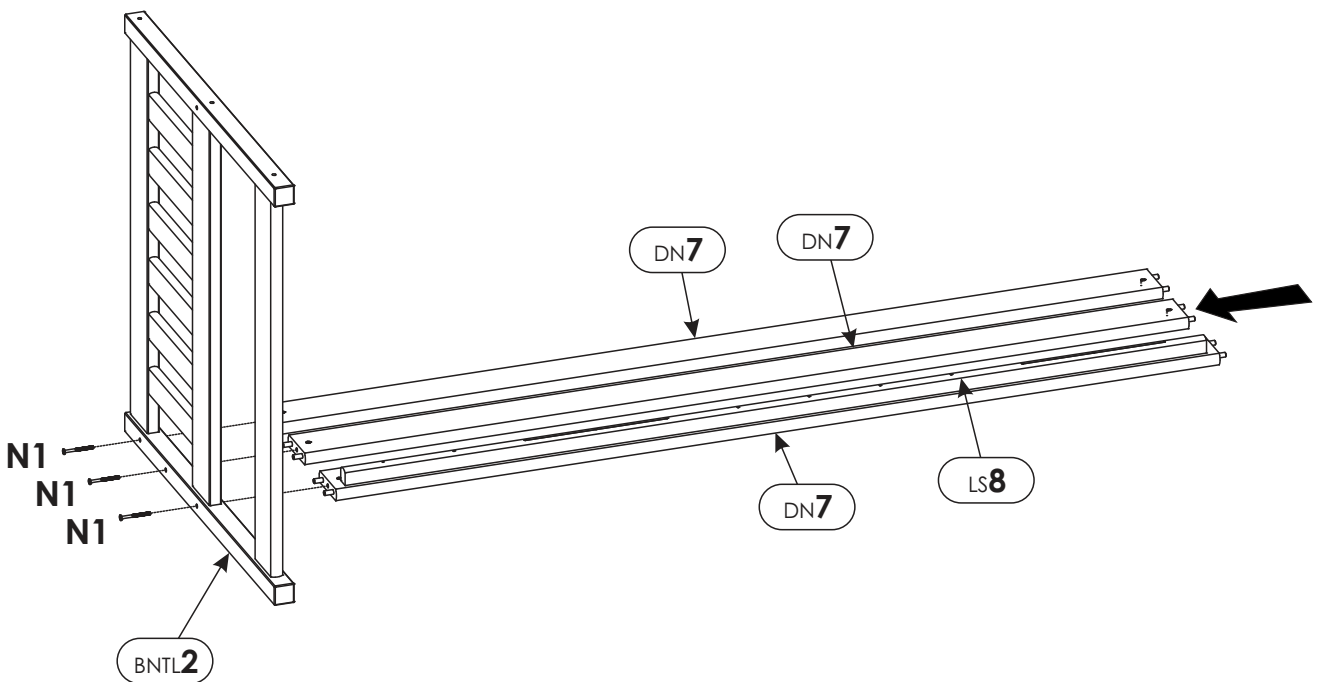
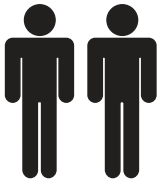
# 4.4



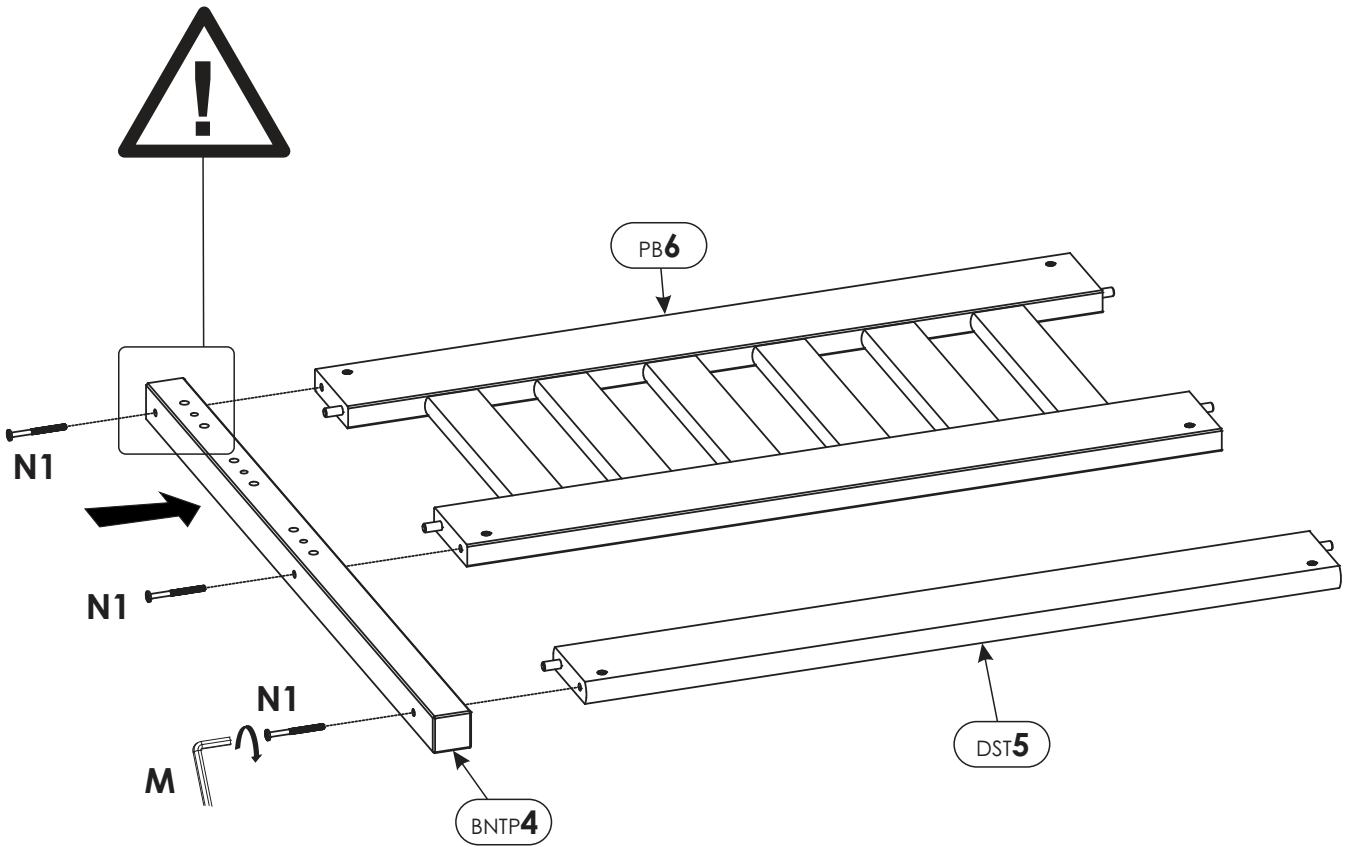
# 5.



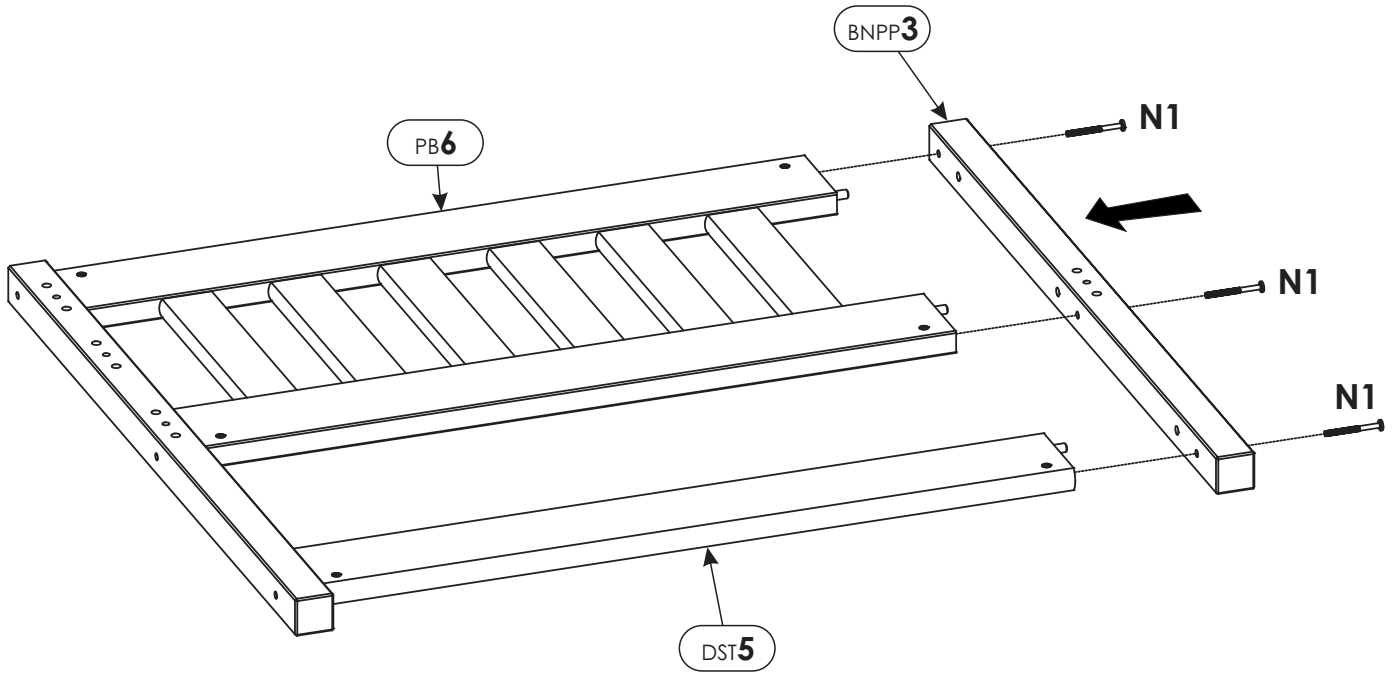
# 6.



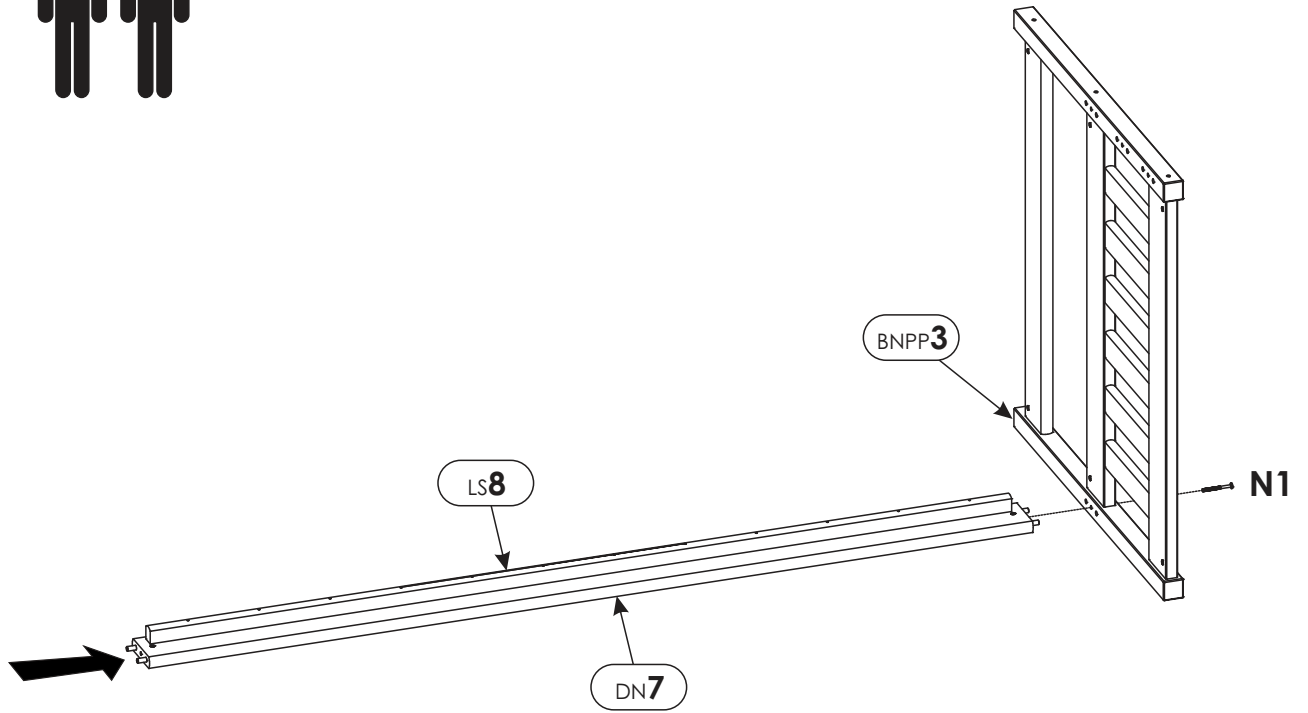
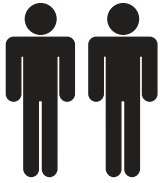
7.



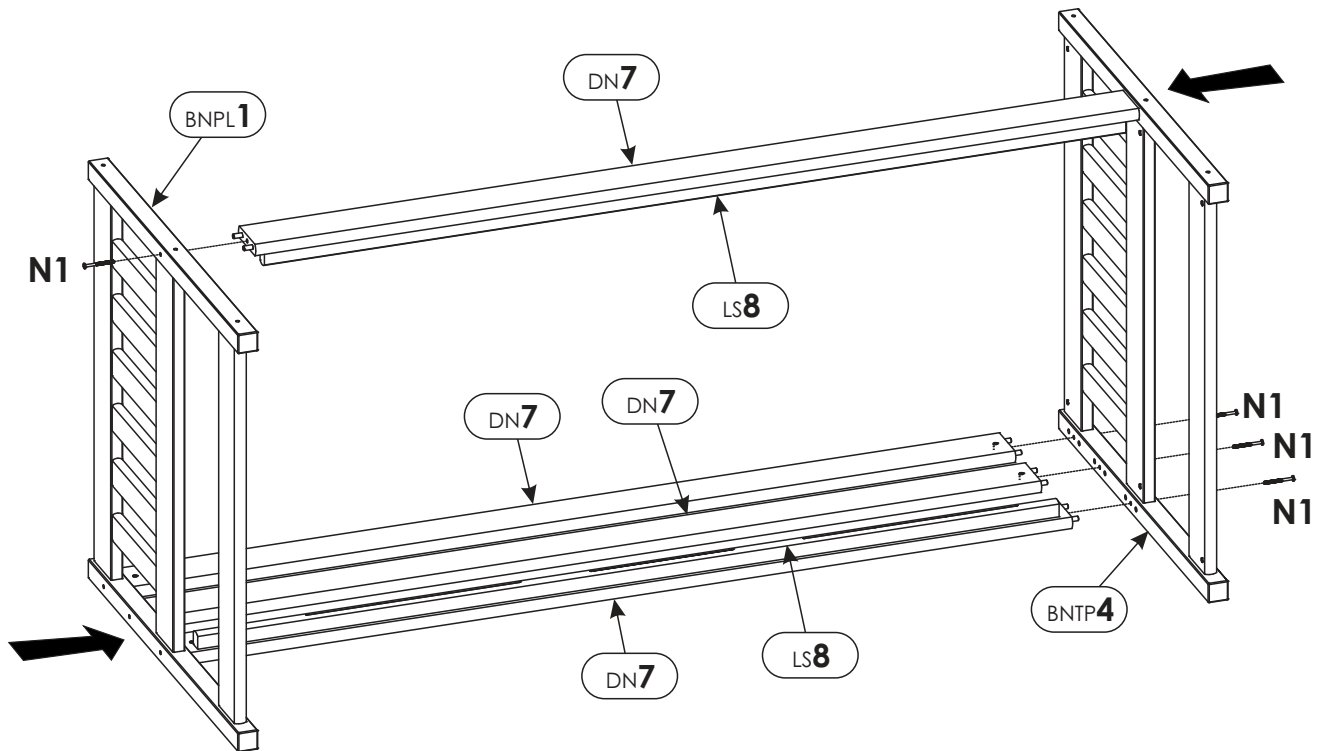
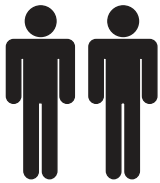
8.



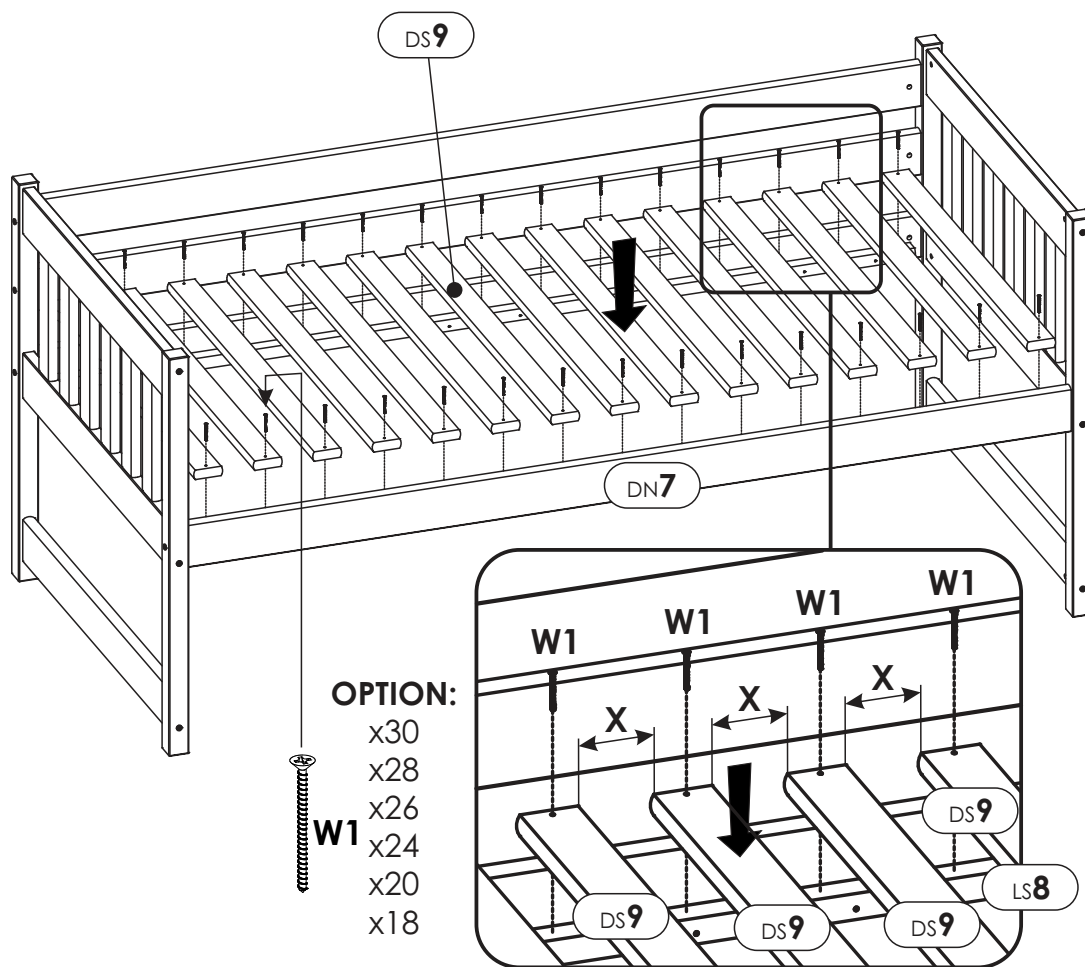
9.



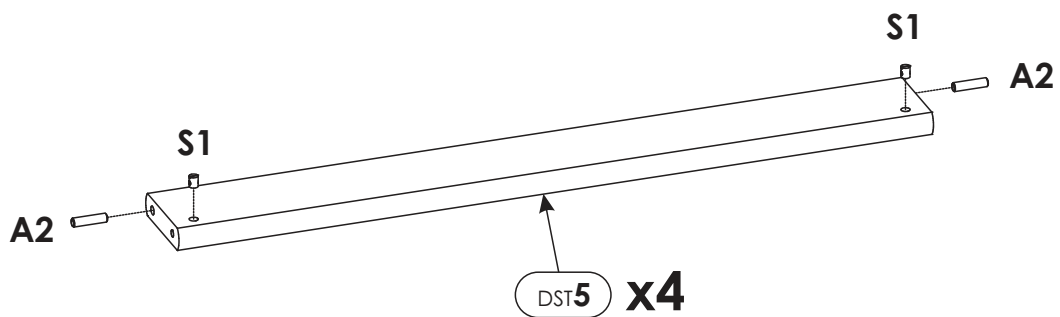
10.



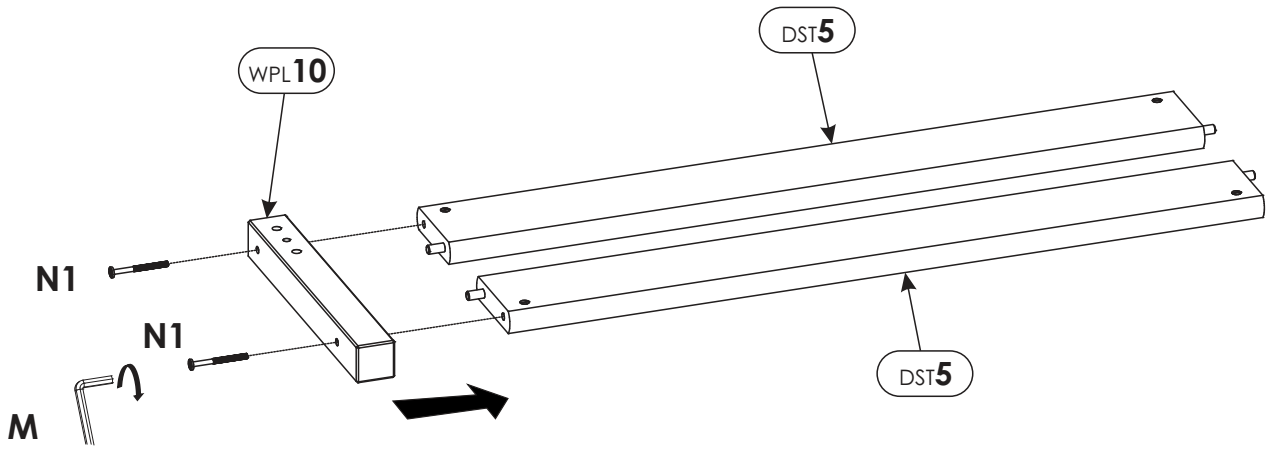
# 11.



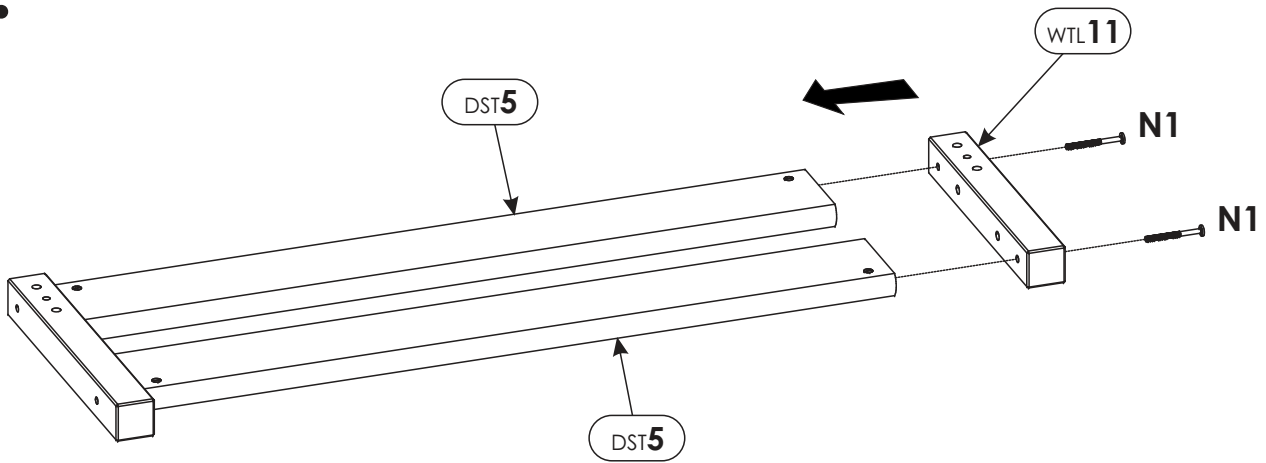
# 12.



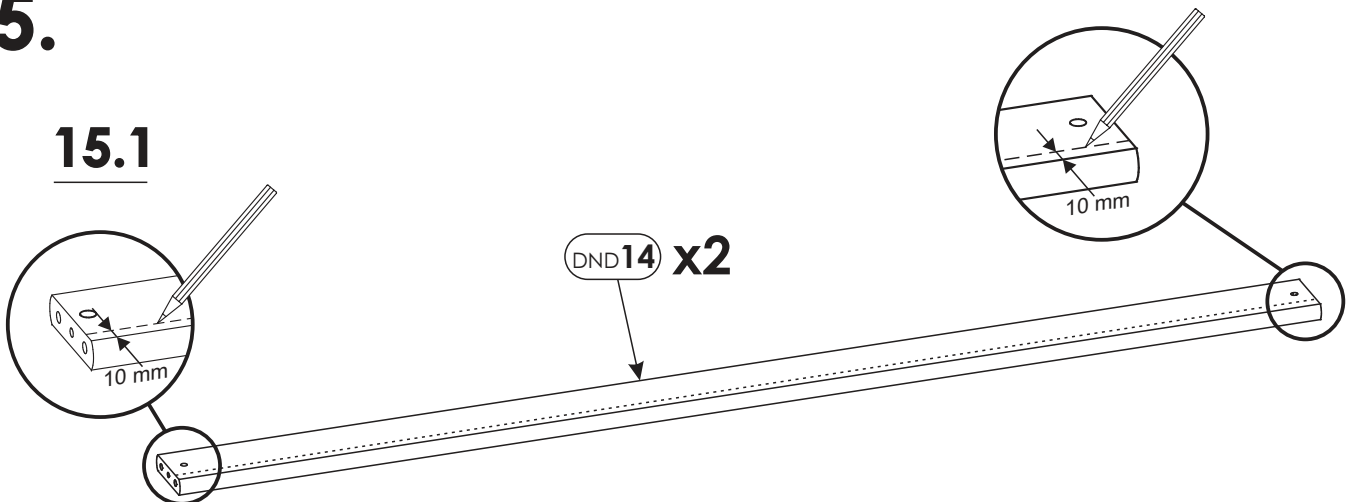
# 13.



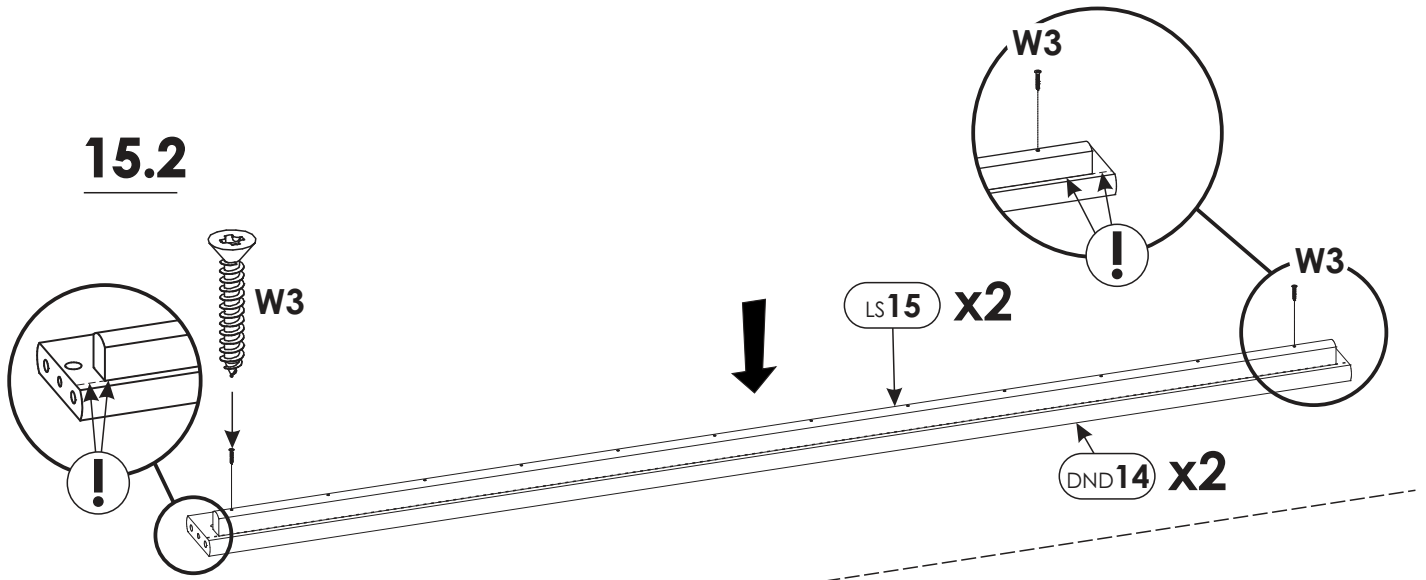
# 14.



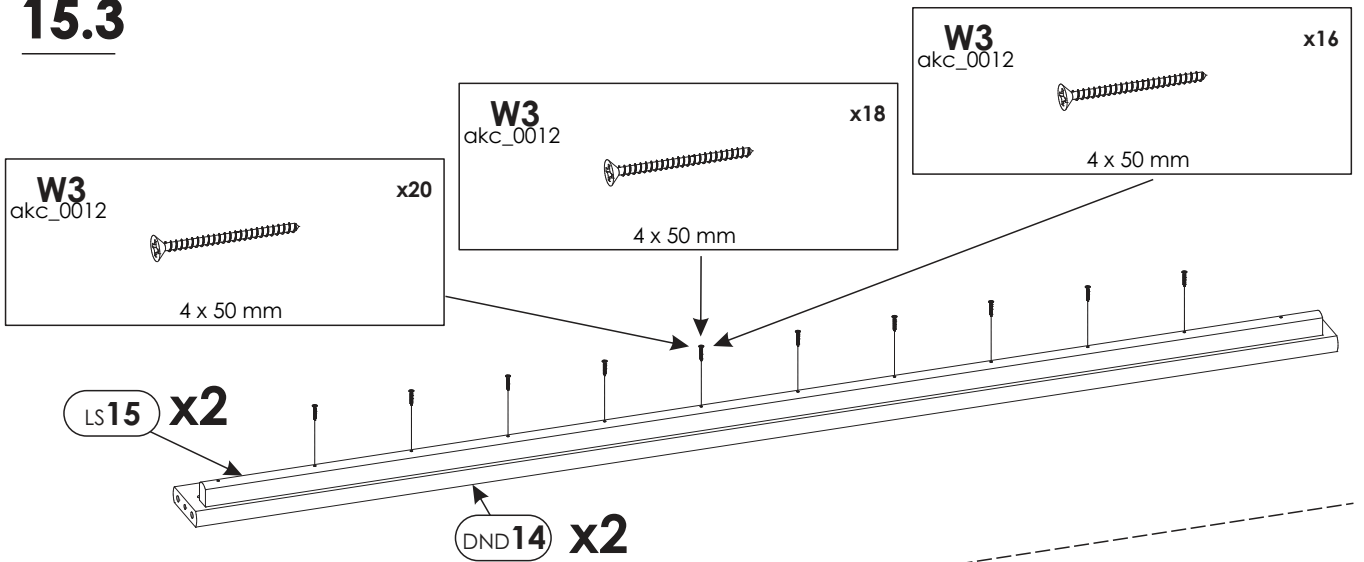
# 15.



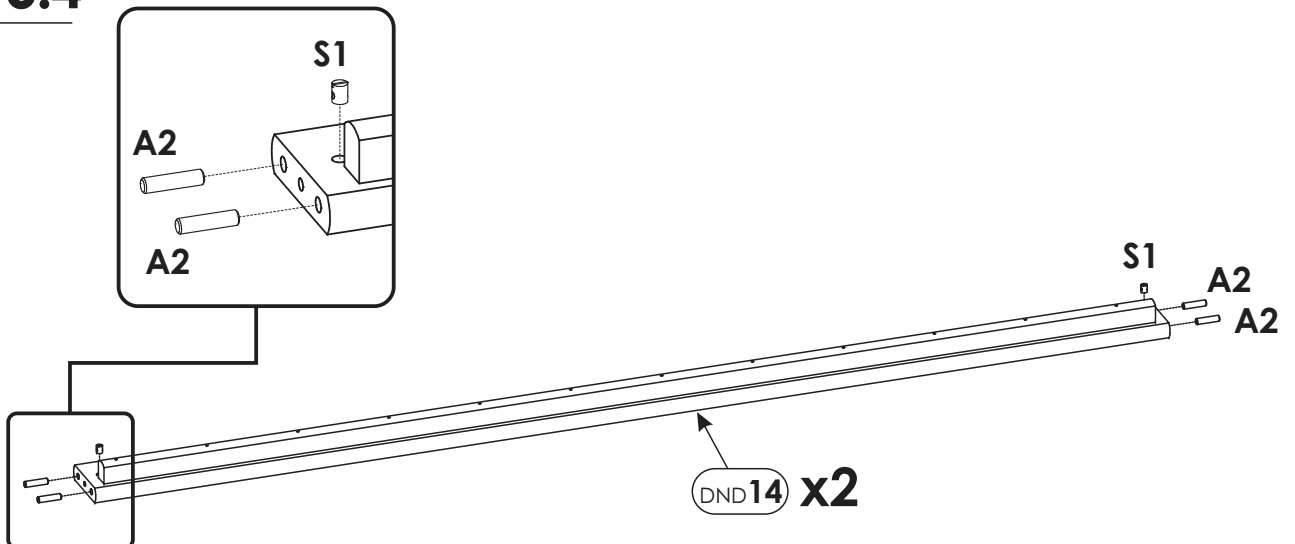
## 15.2



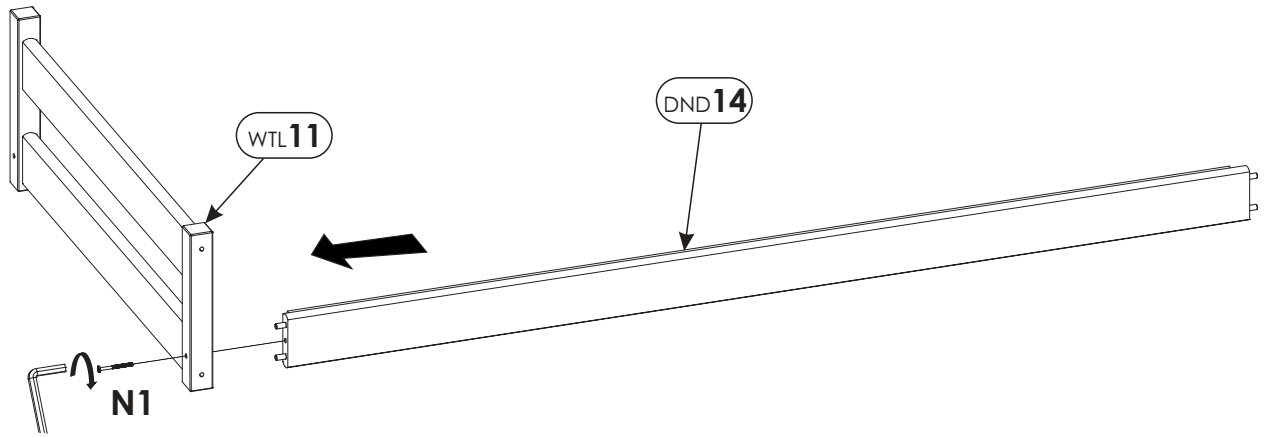
## 15.3



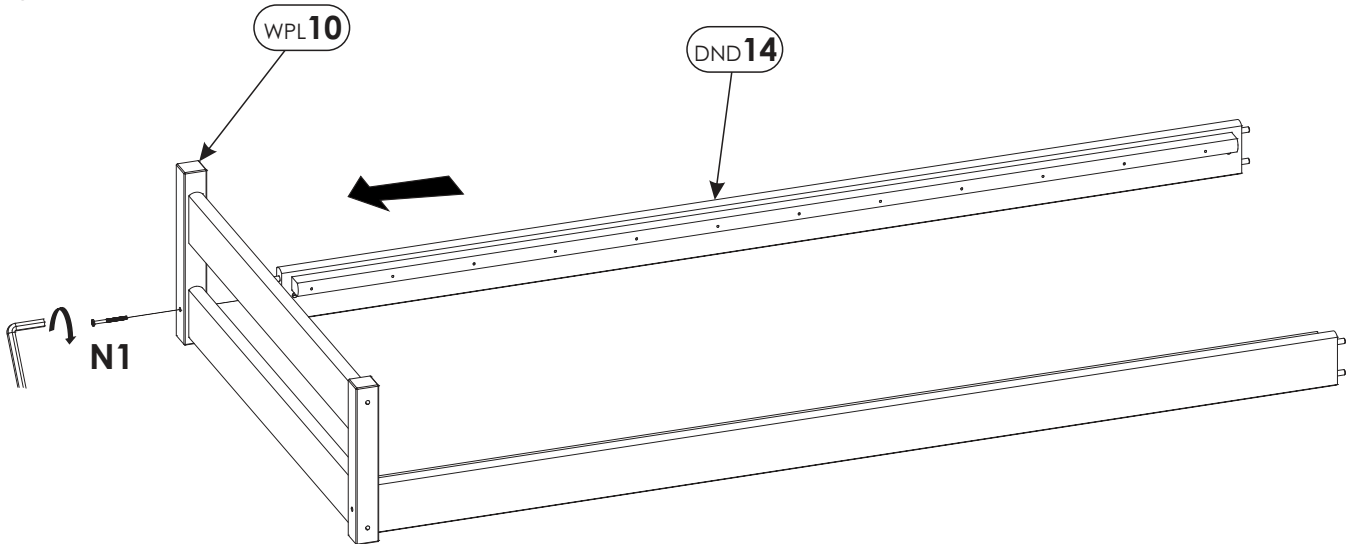
## 15.4



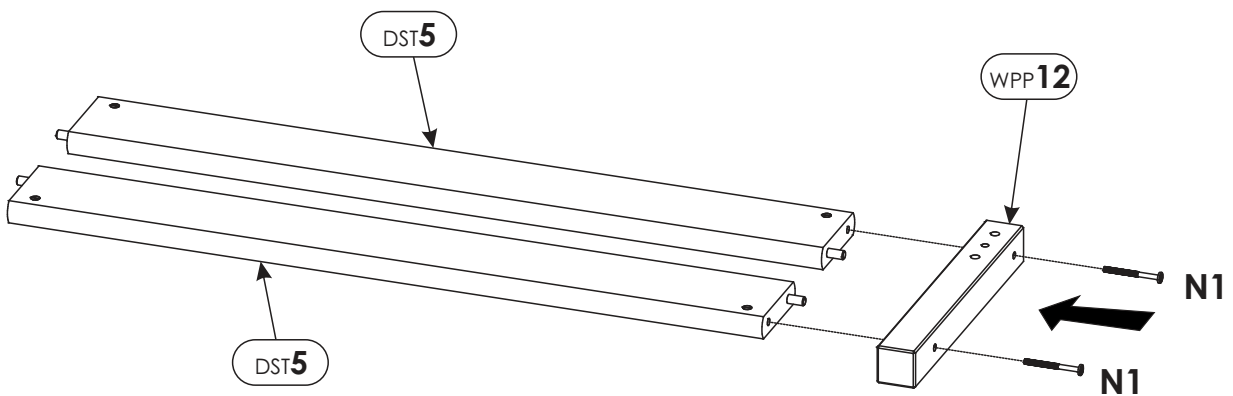
# 16.



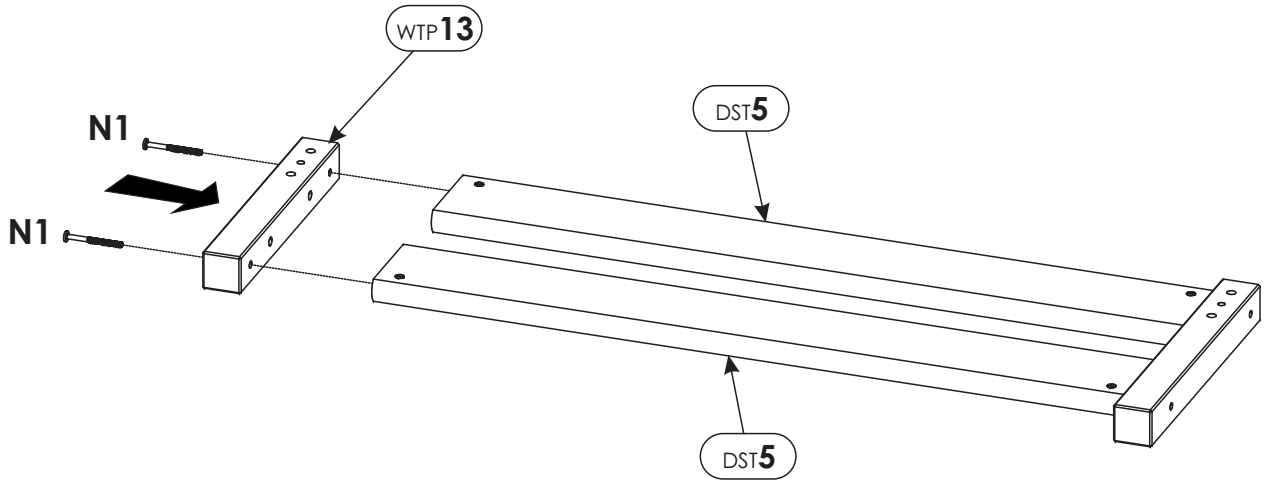
# 17.



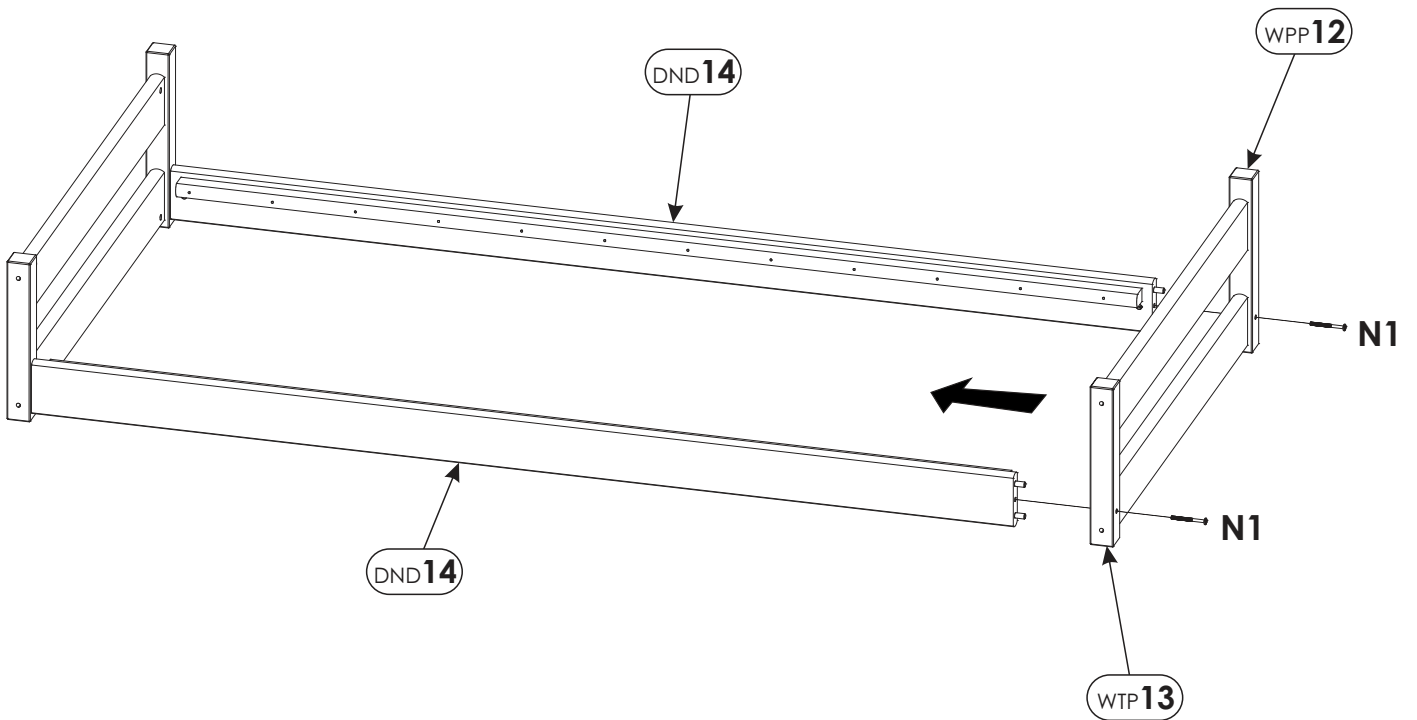
# 18.



# 19.

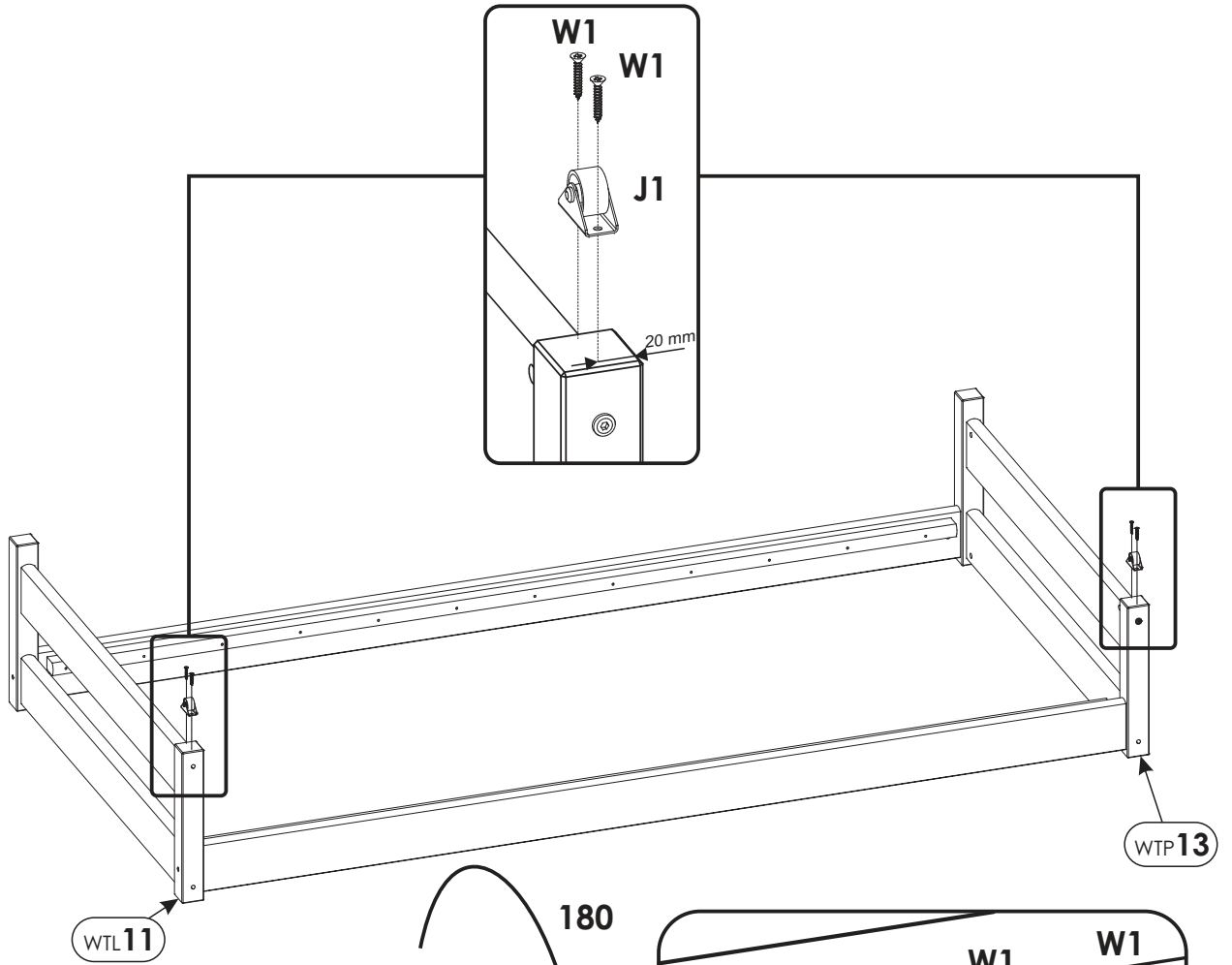


# 20.

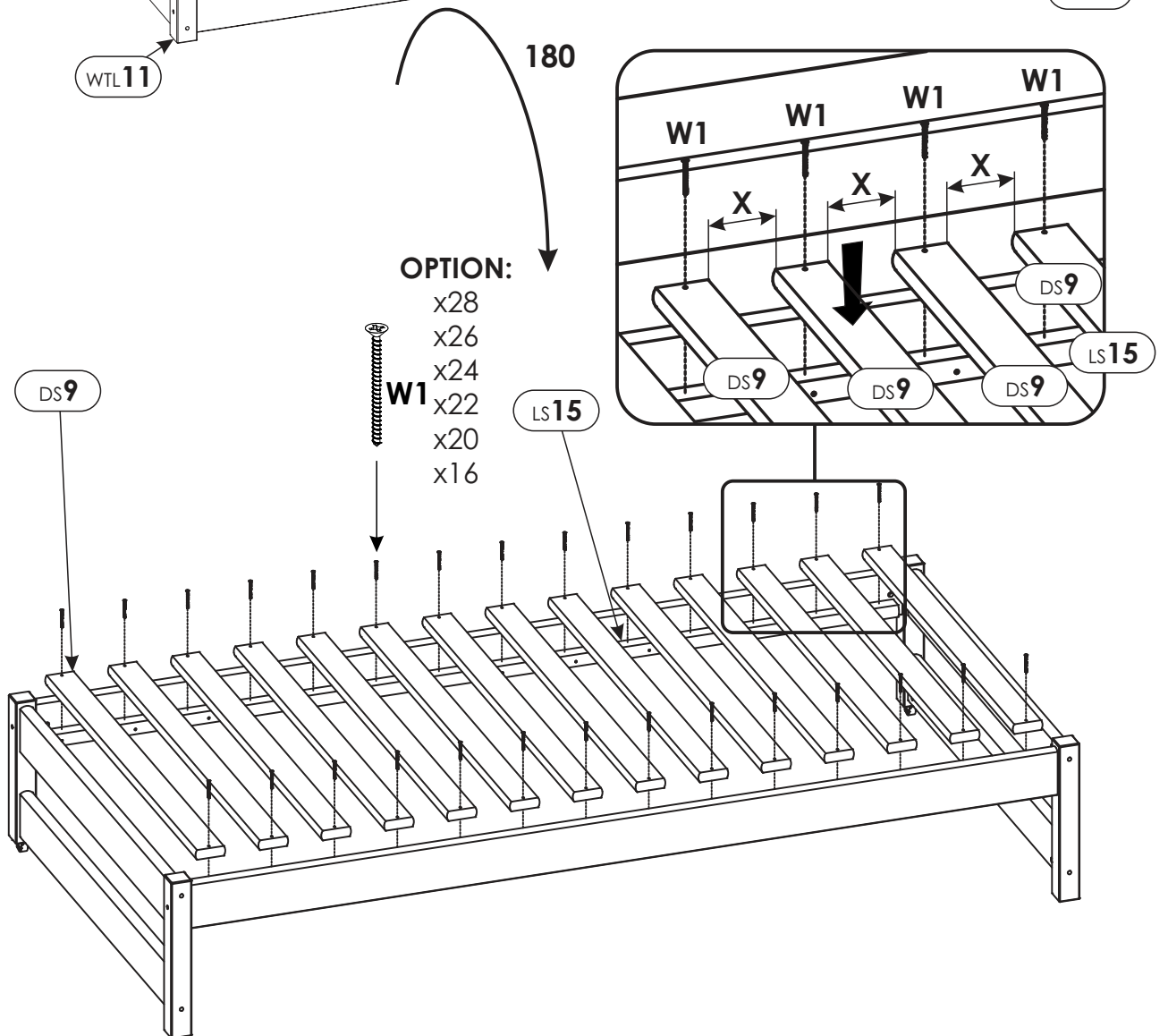




# 21.



# 22.



23.

