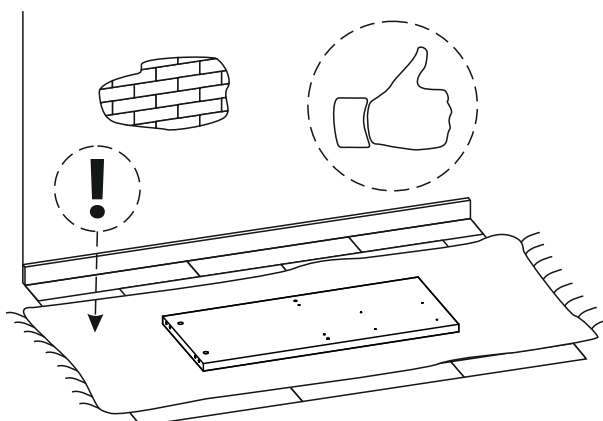
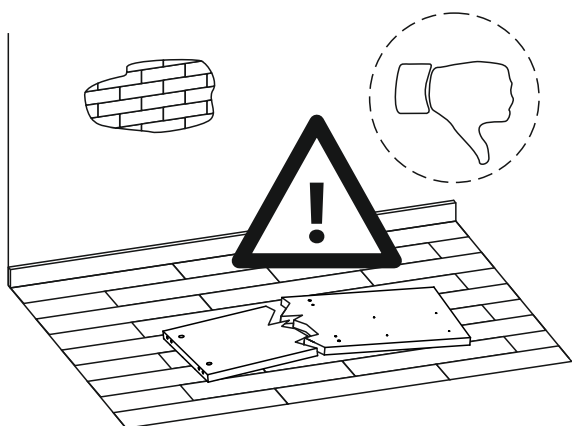
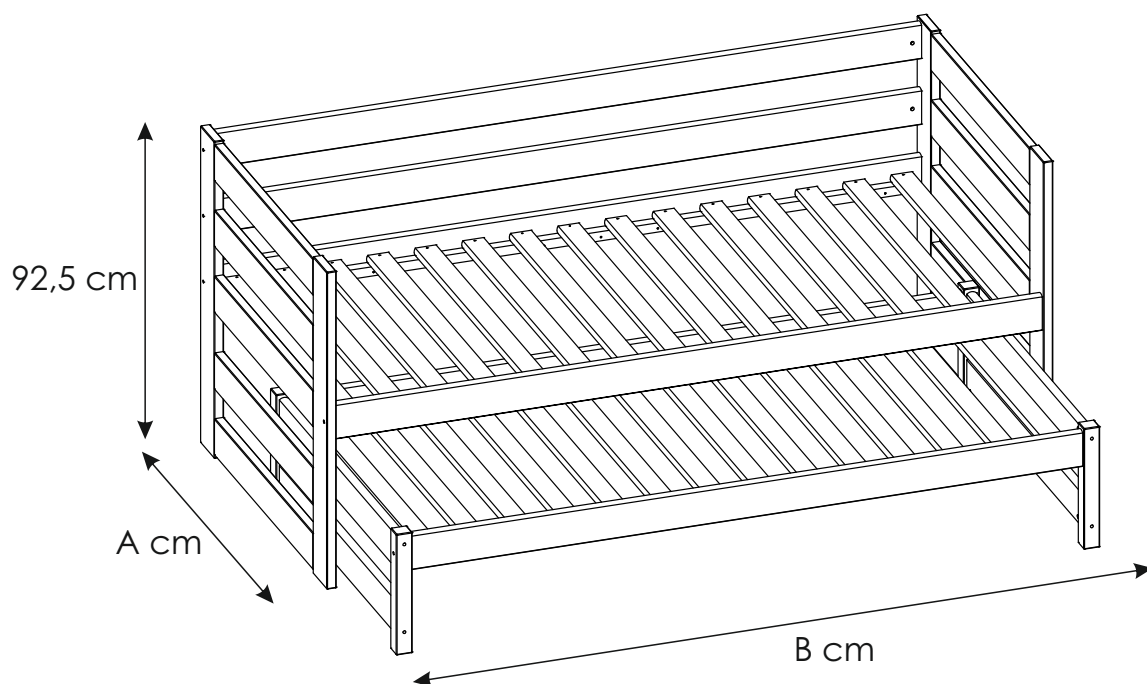
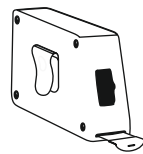
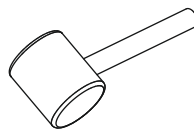
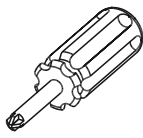
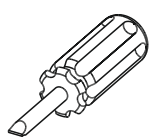
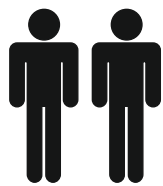
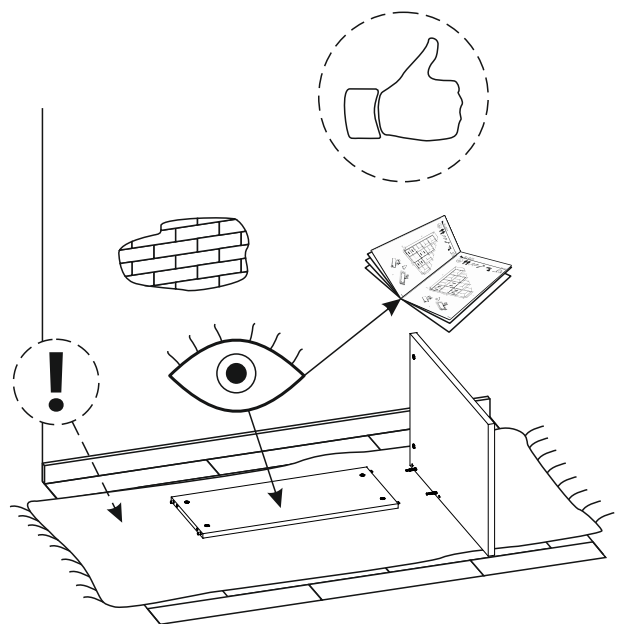
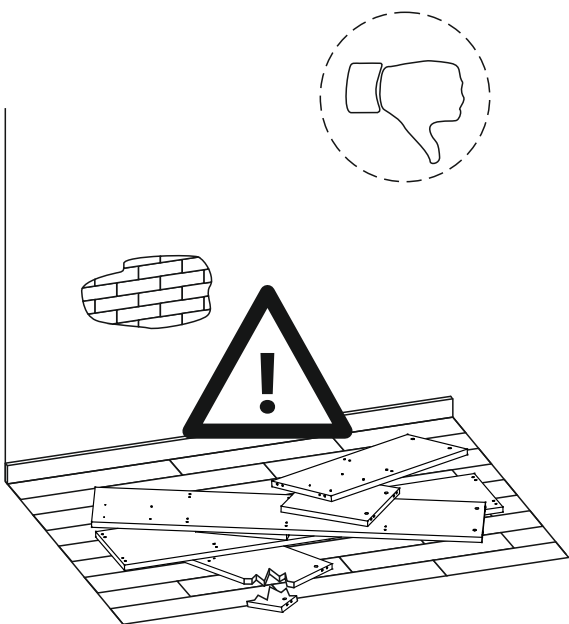
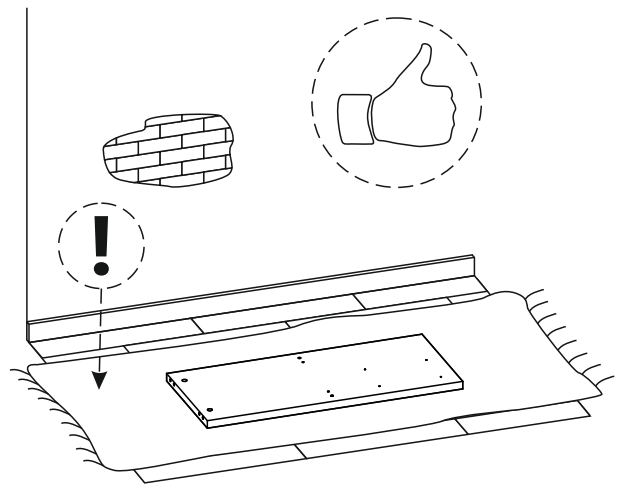
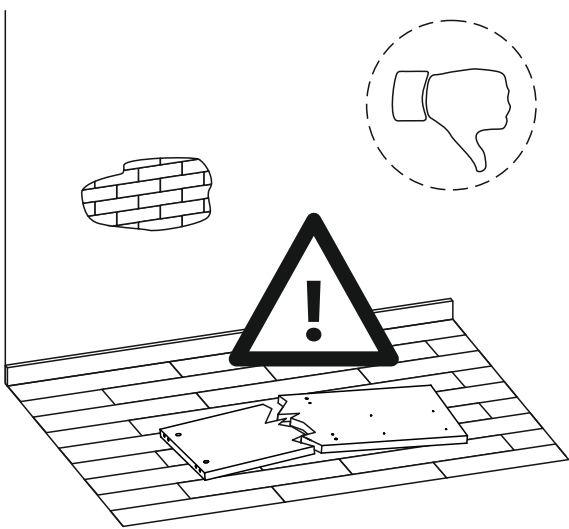
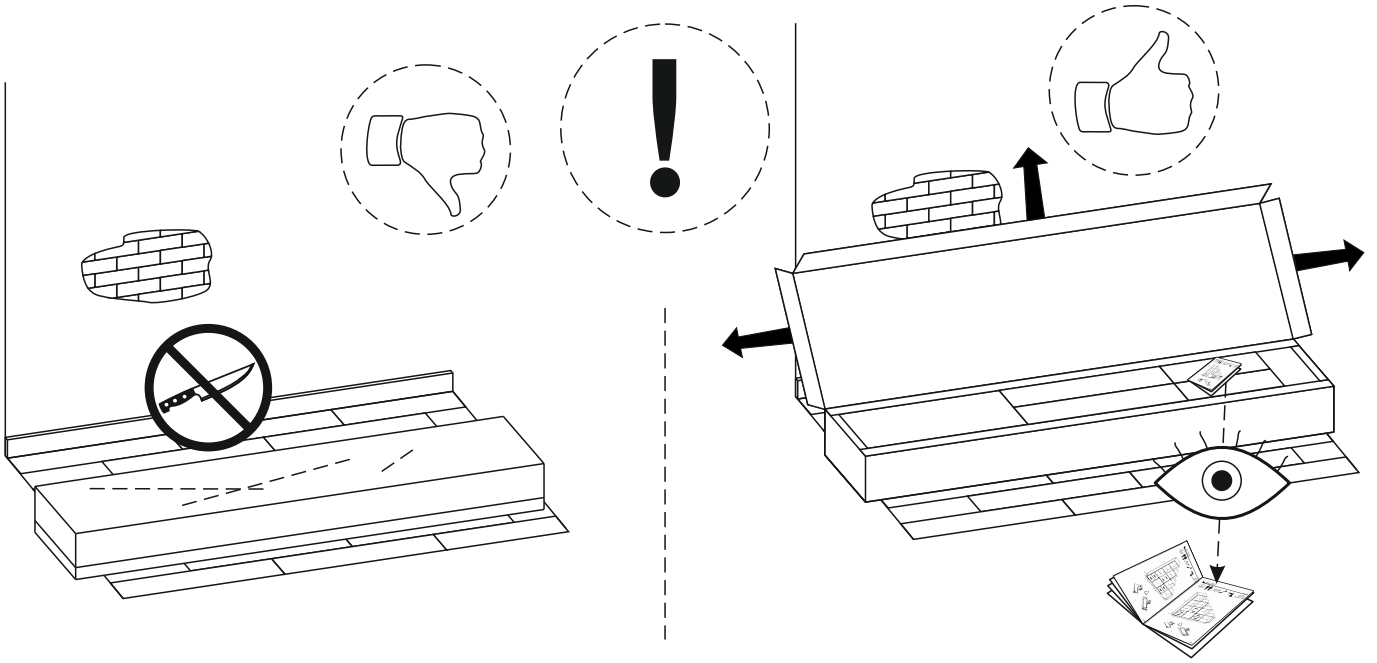
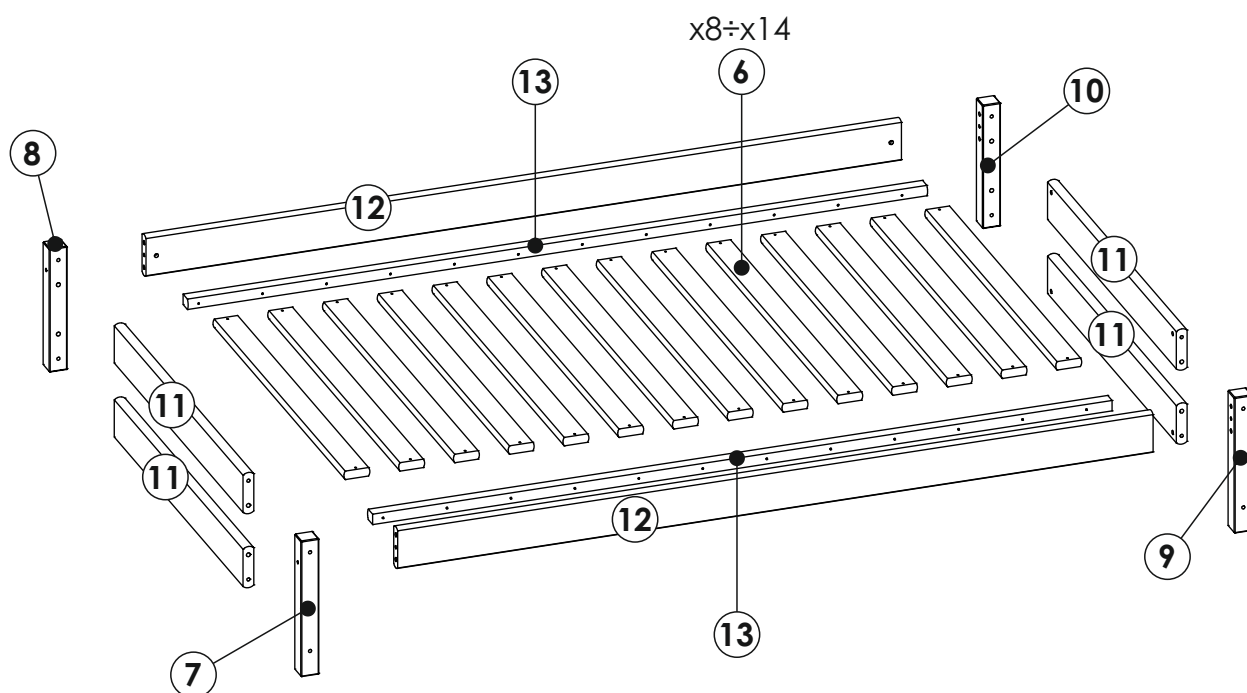
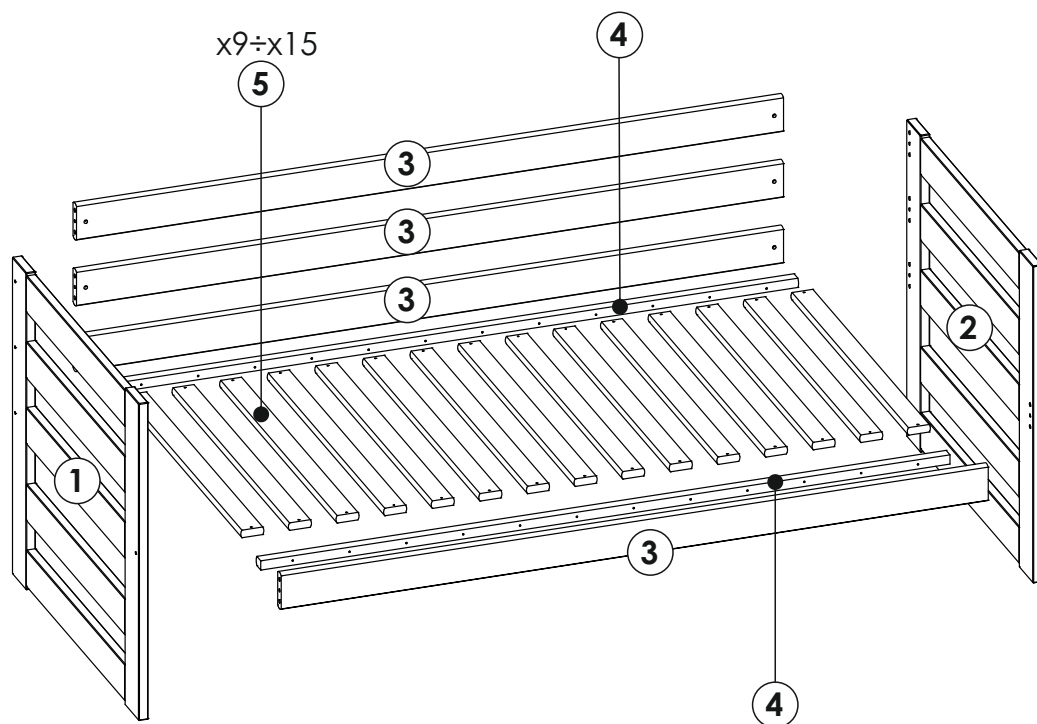
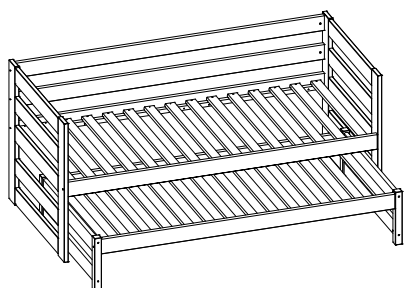


# KACPER





# KACPER



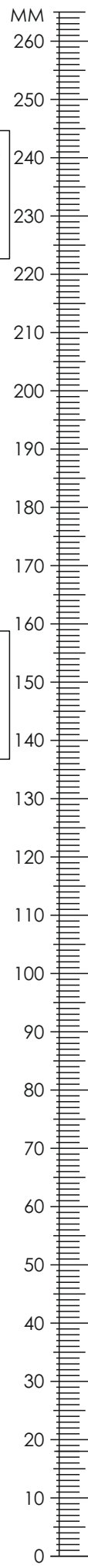
# KACPER

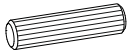

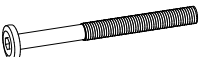

<b>NTL1</b>	678, 778, 878, 978, 1078	925	27	x1	KCN_02290 KCDT_02300
<b>NTP2</b>	678, 778, 878, 978, 1078	925	27	x1	KCN_02290 KCDT_02300
<b>DN3</b>	1190, 1390, 1590, 1690, 1790, 1890, 1990	107	27	x4	DN_00110
<b>LS4</b>	1140, 1340, 1540, 1640, 1740, 1840, 1940	35	27	x2	LS_00160
<b>WPL7</b>	352	45	45	x1	NWPL_01060
<b>WTL8</b>	320	45	45	x1	NWTL_01080
<b>WPP9</b>	352	45	45	x1	NWPP_01070
<b>WTP10</b>	320	45	45	x1	NWTP_01090
<b>DST11</b>	585, 685, 785, 885, 985	107	27	x4	DST_00120
<b>DND12</b>	1090, 1290, 1490, 1590, 1690, 1790, 1890	107	27	x2	DN_00110
<b>LSD13</b>	1050, 1250, 1450, 1550, 1650, 1750, 1850	35	27	x2	LS_00160

## OPTION


<b>DSG5</b>	B=2000	x15	DS_00170
	B=1900	x14	
	B=1800	x13	
	B=1700	x13	
	B=1600	x12	
	B=1400	x10	
	B=1200	x9	
<b>DSD6</b>	B=2000	x14	DS_00170
	B=1900	x13	
	B=1800	x13	
	B=1700	x12	
	B=1600	x11	
	B=1400	x10	
	B=1200	x8	

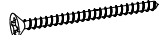
# KACPER



<b>A2</b> akc_0002  10 x 40 mm x32	<b>M</b> akc_0005  x1	<b>N1</b> akc_0006  6 x 80 mm x20
<b>S1</b> akc_0008  10 x 16 mm x20		

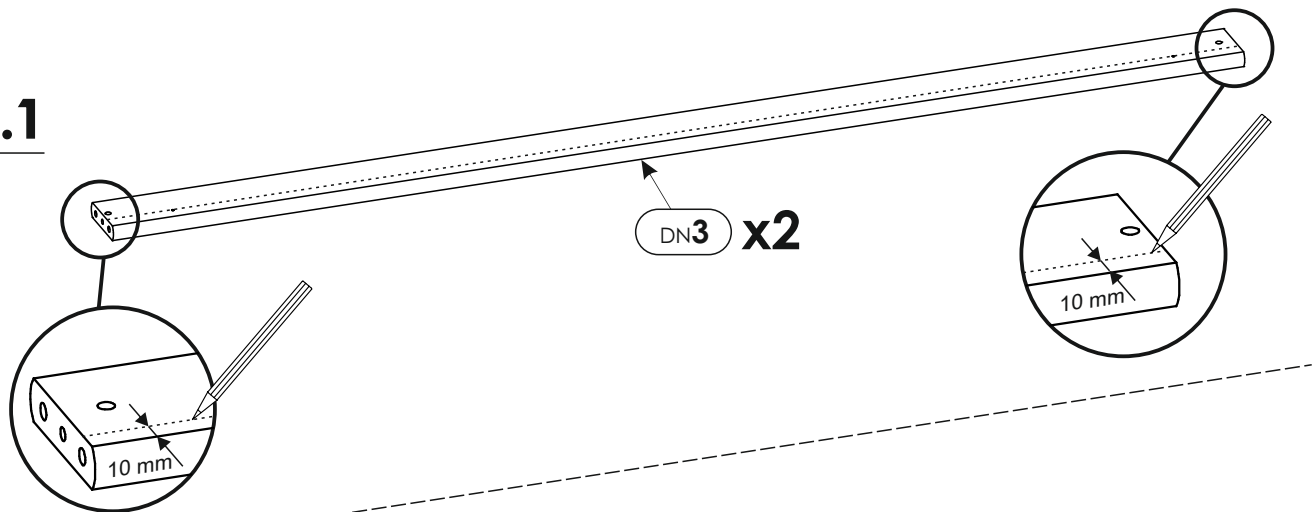
----- **OPTION** -----

<b>W1</b> akc_0009  3,5 x 40 mm 38 < x < 62
---

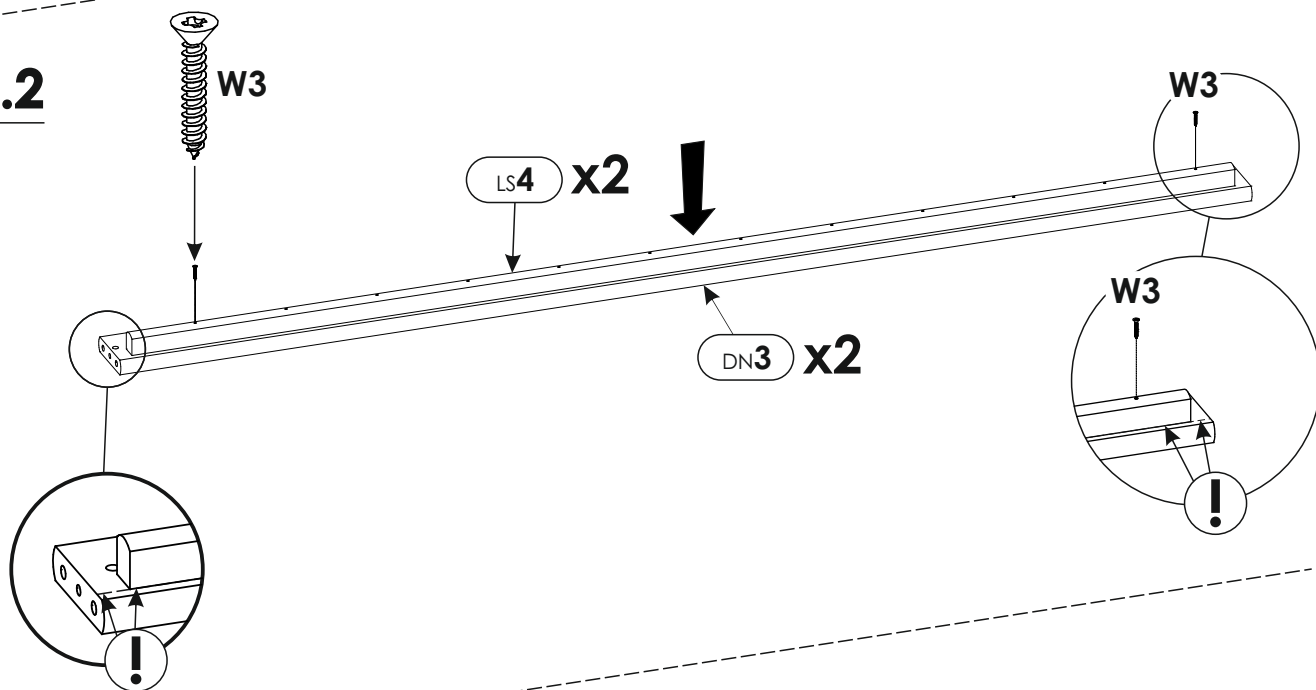
<b>W3</b> akc_0011  4 x 50 mm 40 < x < 48
---

# 1.

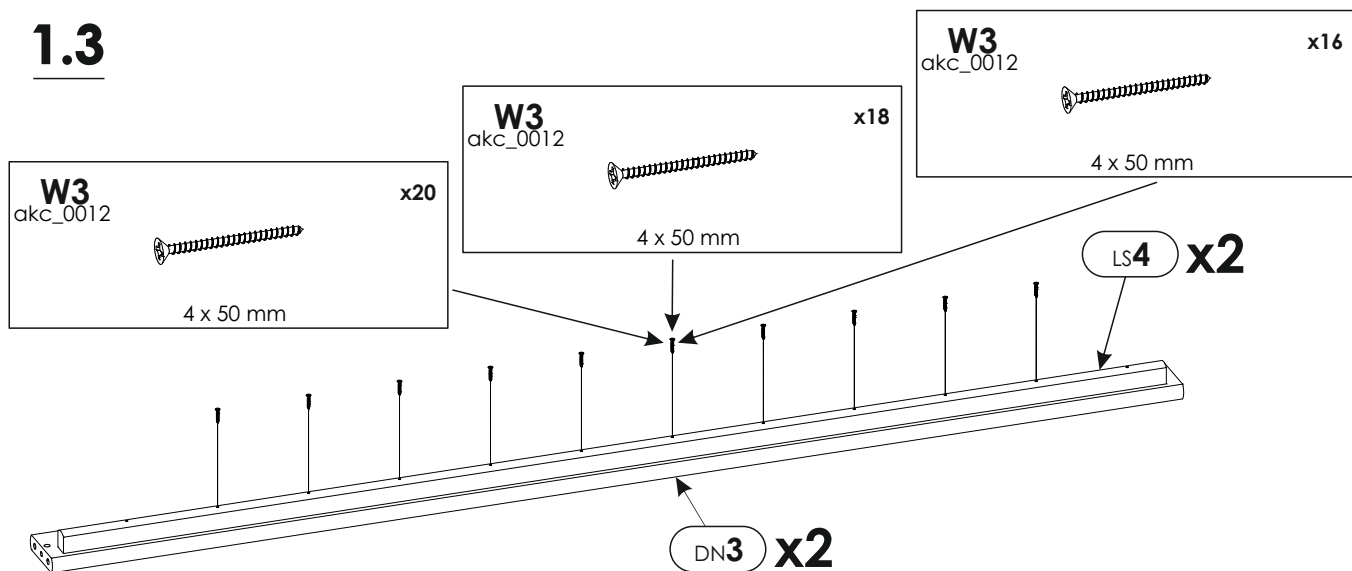
## 1.1



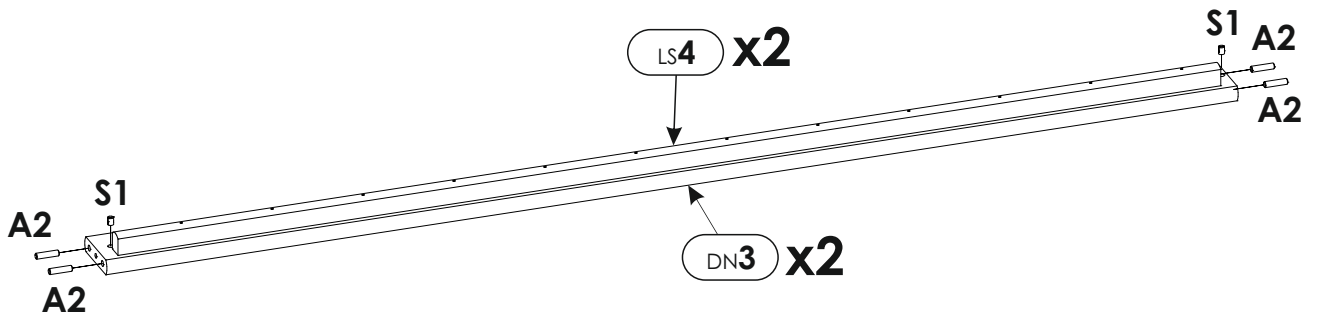
## 1.2



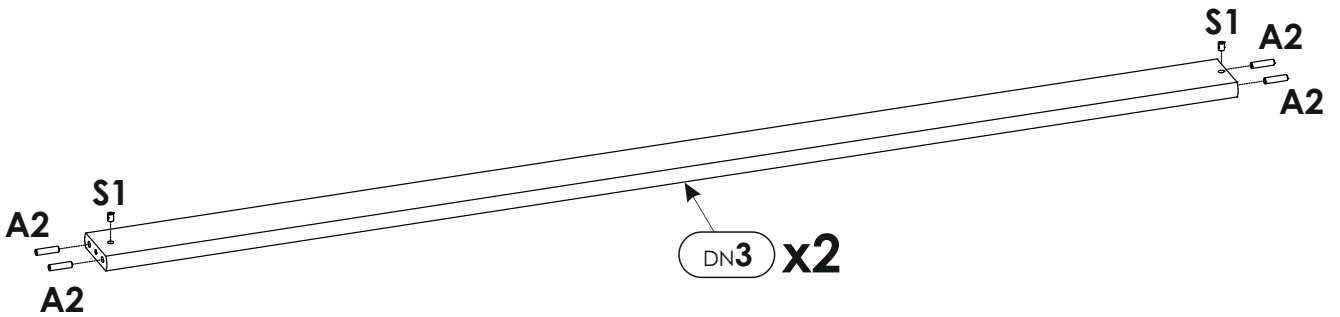
## 1.3



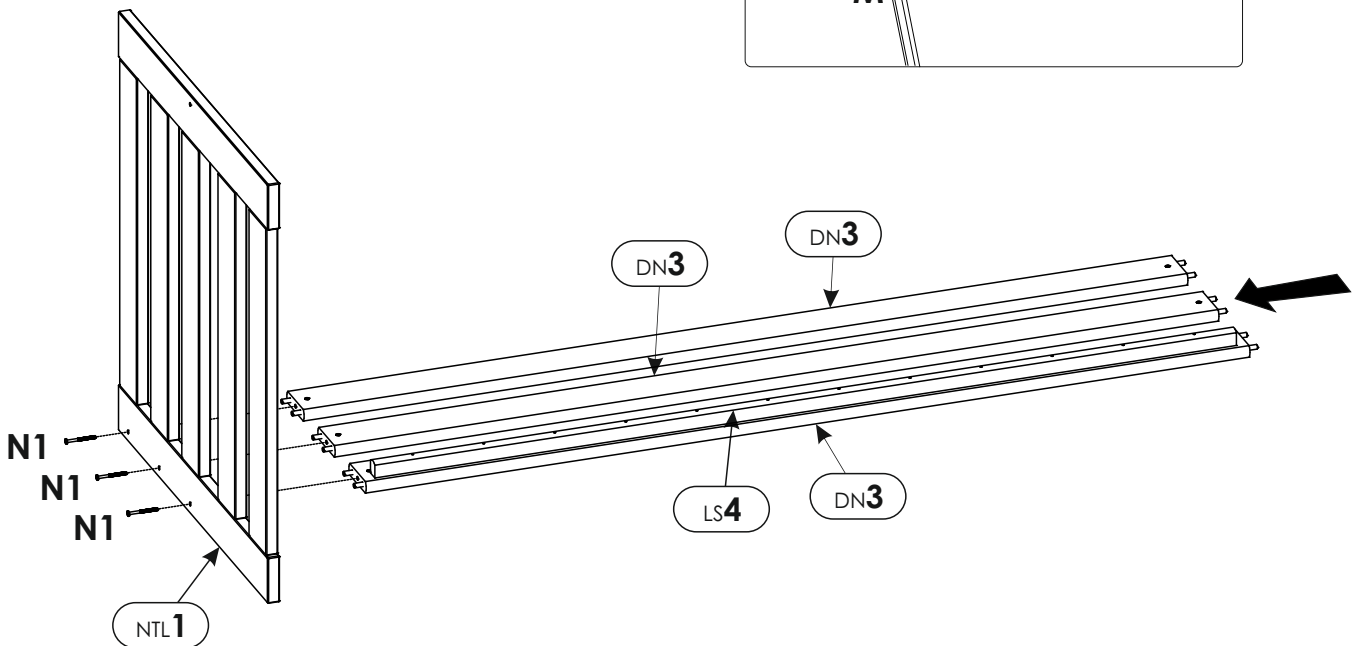
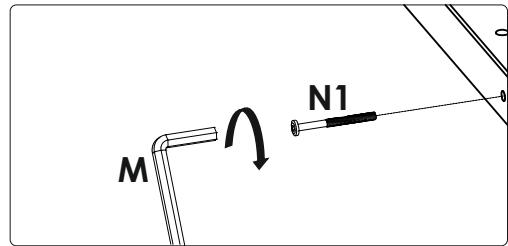
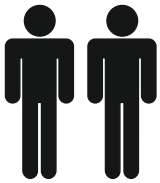
# 1.4



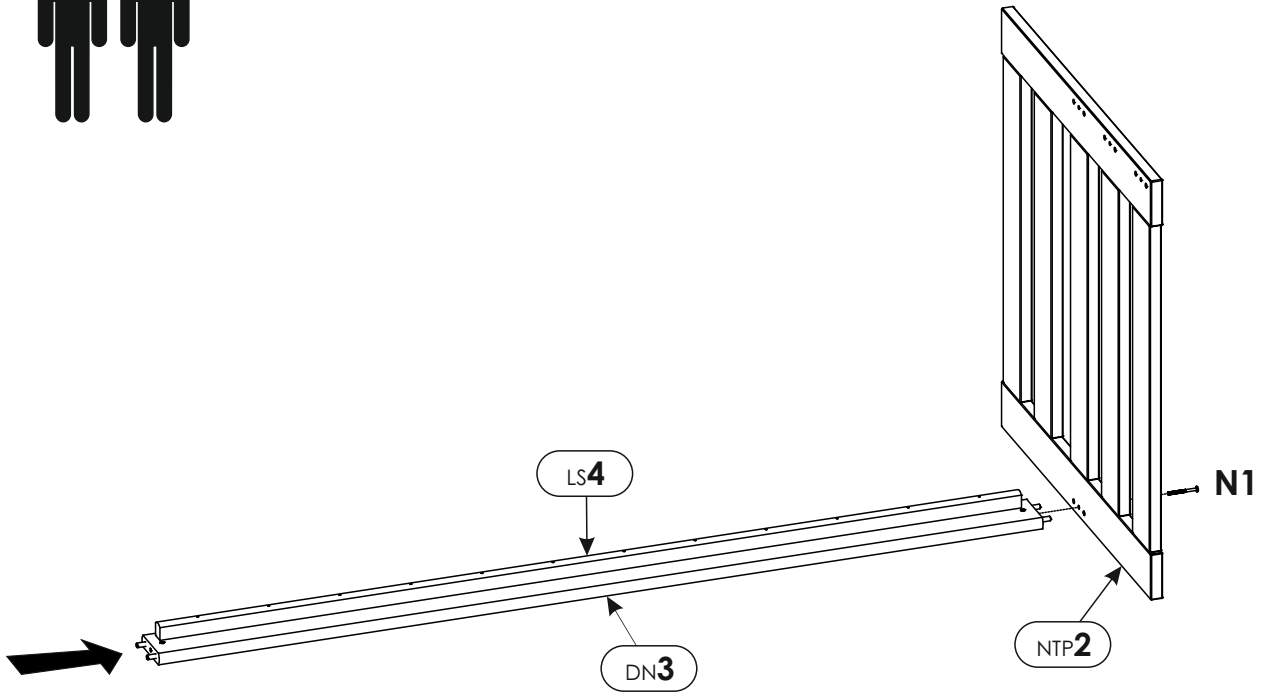
# 2.



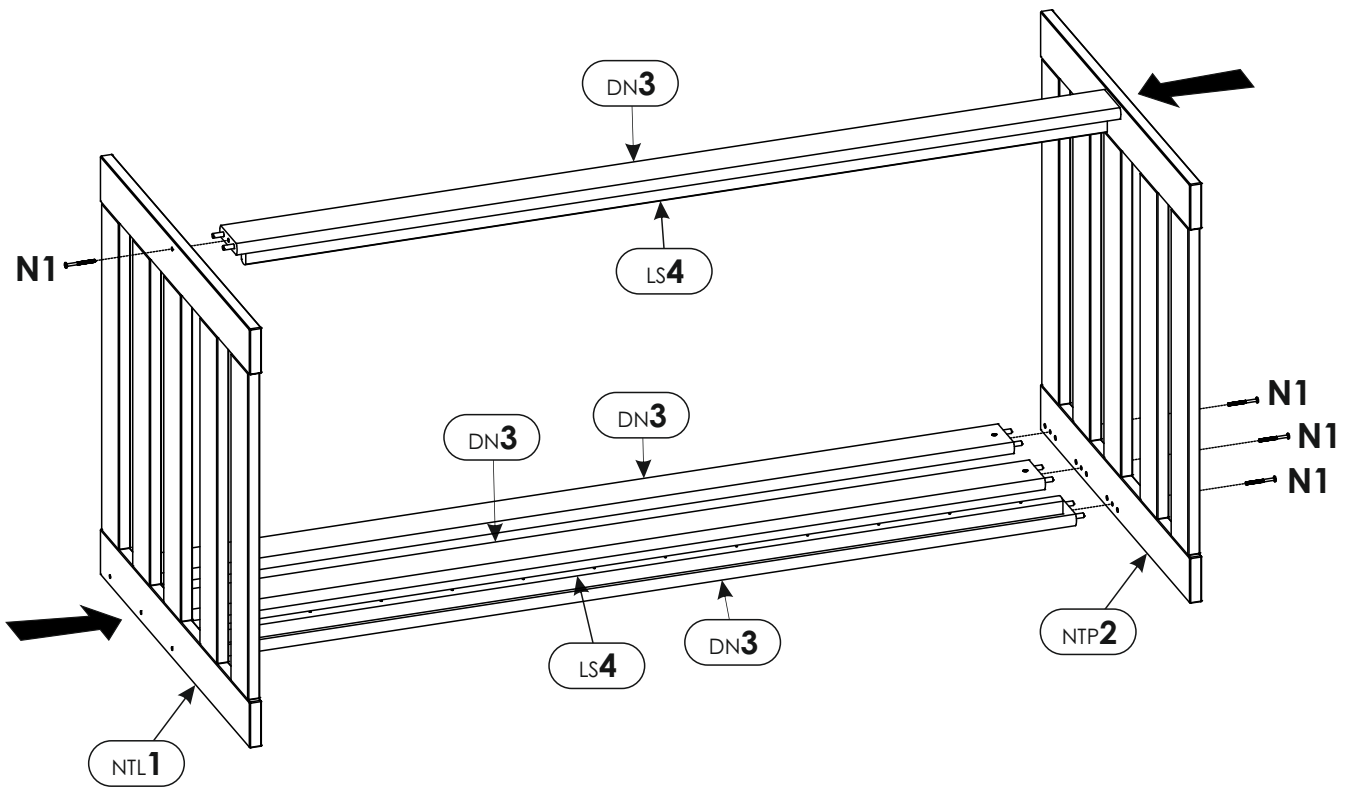
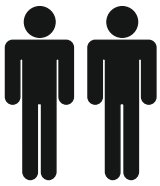
# 3.



4.

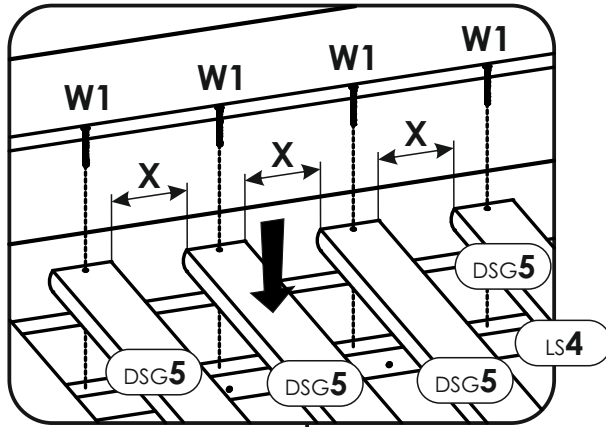


5.



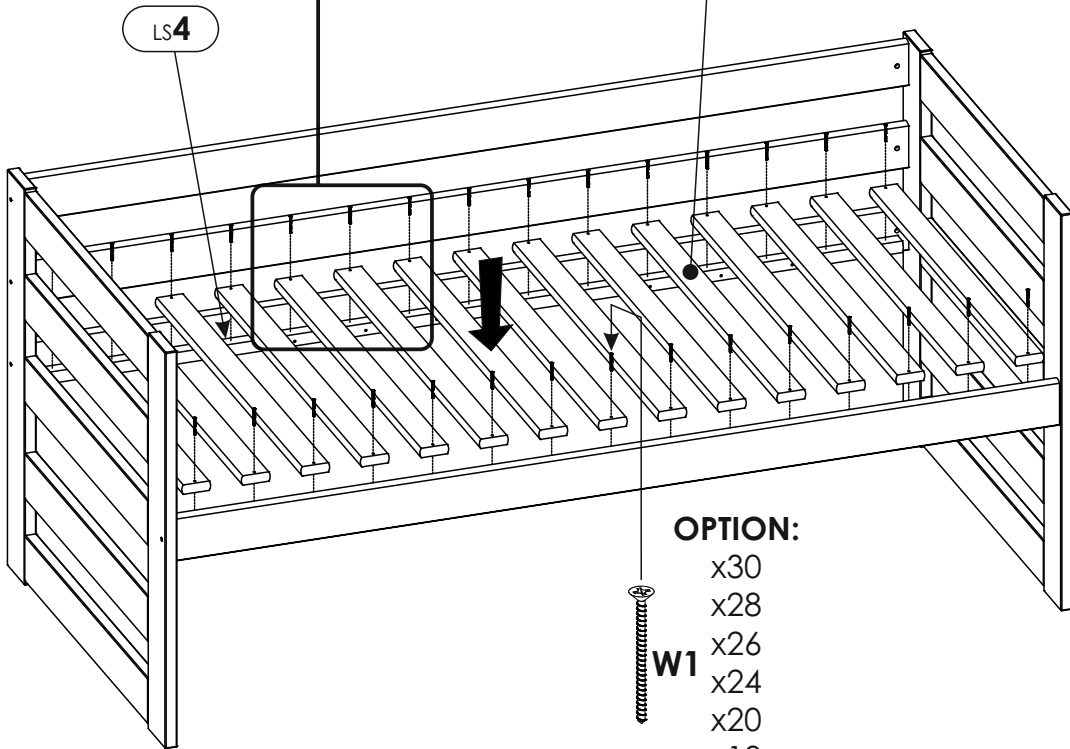


6.



OPTION:

B=2000	x15
B=1900	x14
B=1800	x13
B=1700	x13
B=1600	x12
B=1400	x10
B=1200	x9

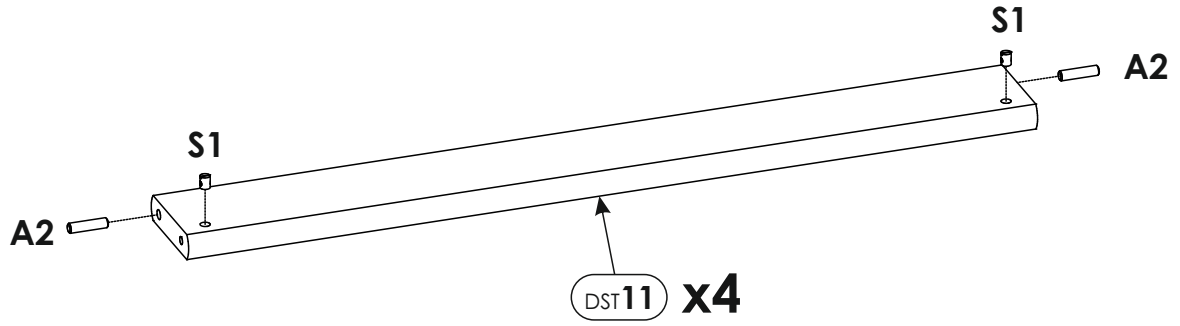


OPTION:

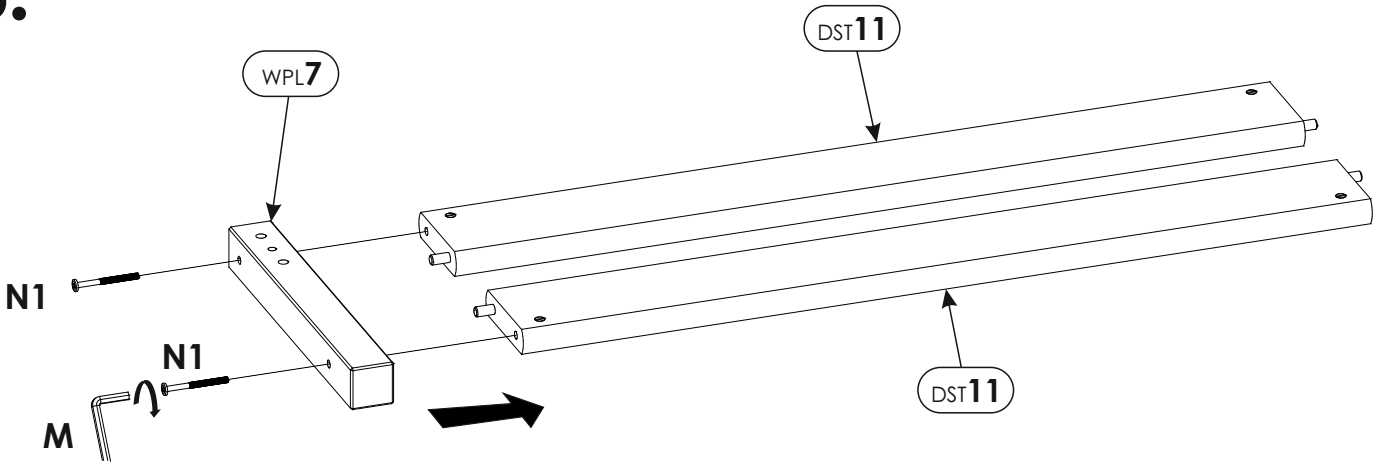
- x30
- x28
- x26
- x24
- x20
- x18



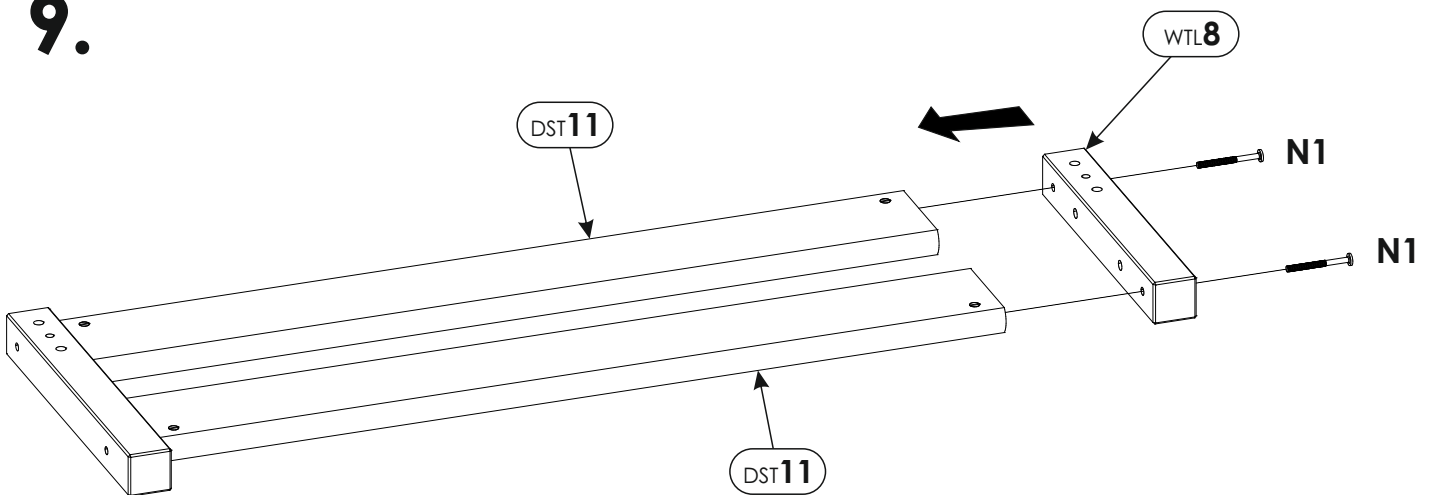
7.



8.

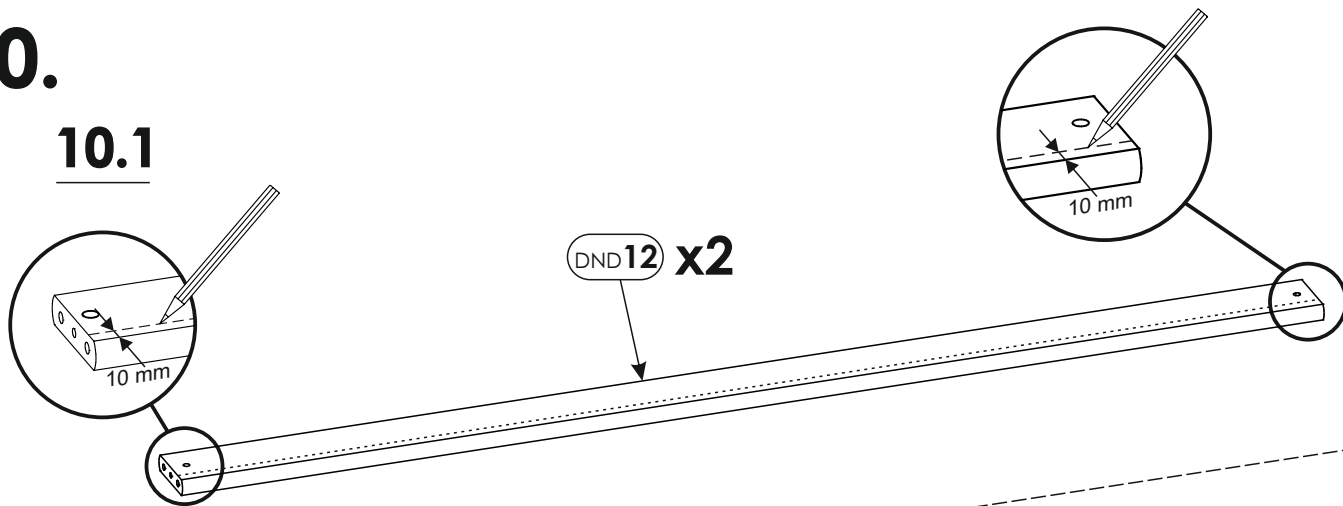


9.

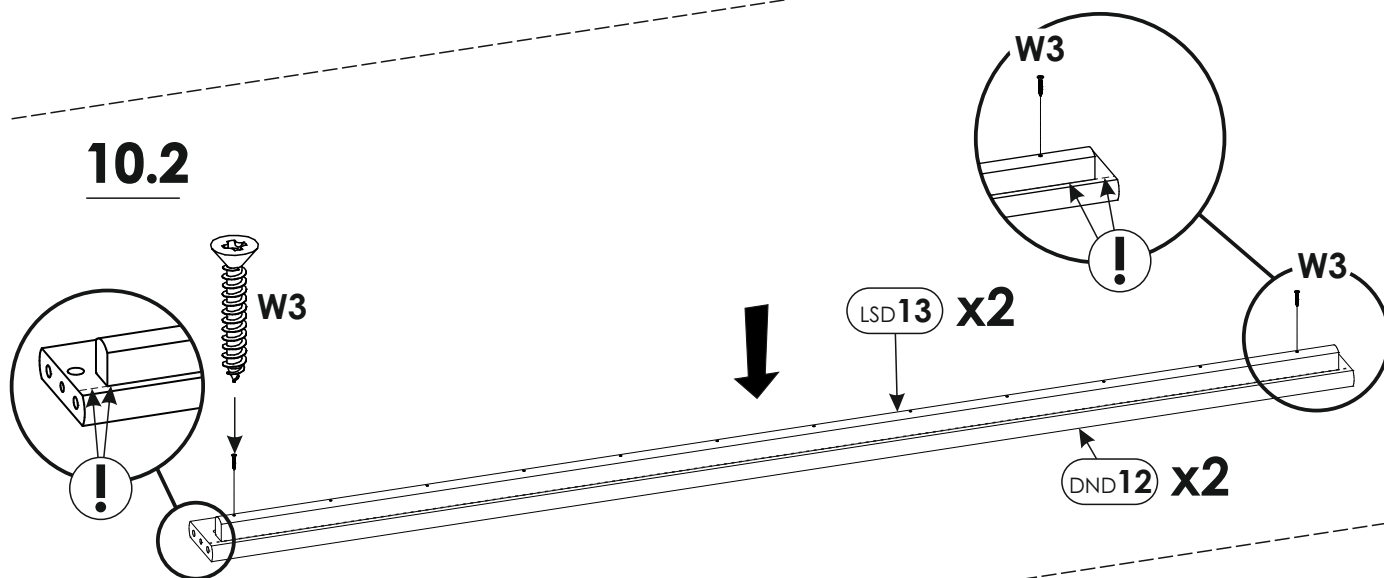


# 10.

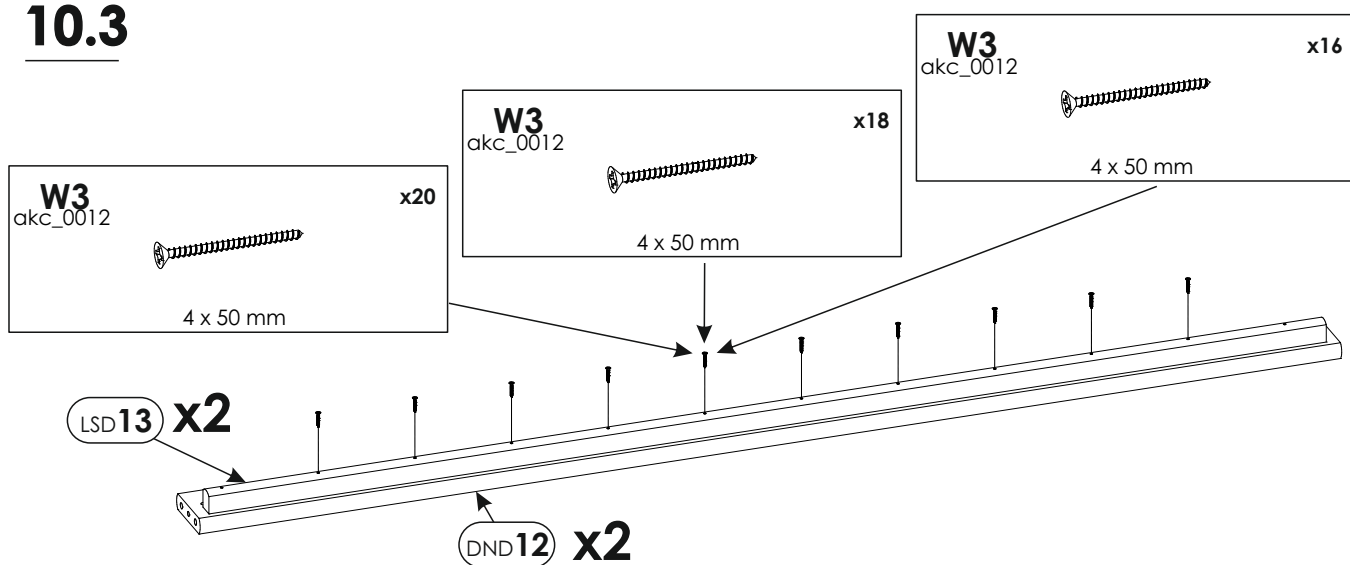
## 10.1



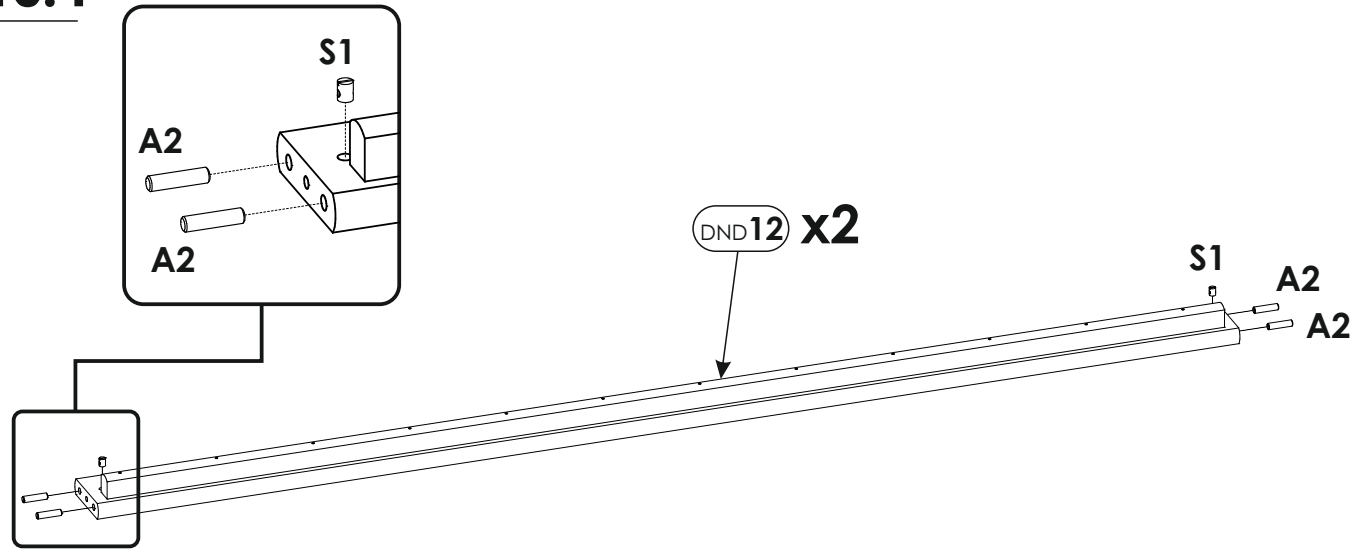
## 10.2



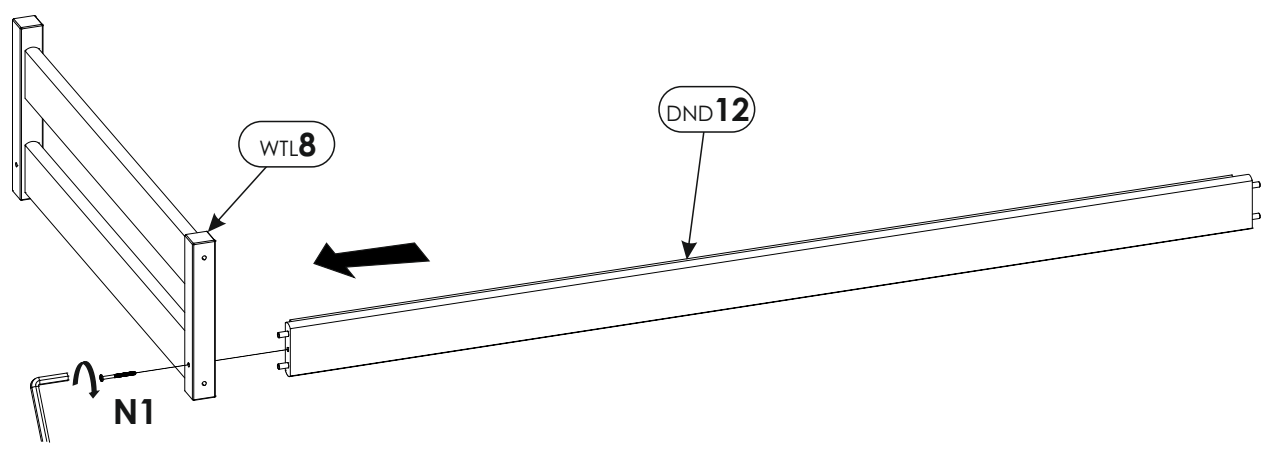
## 10.3



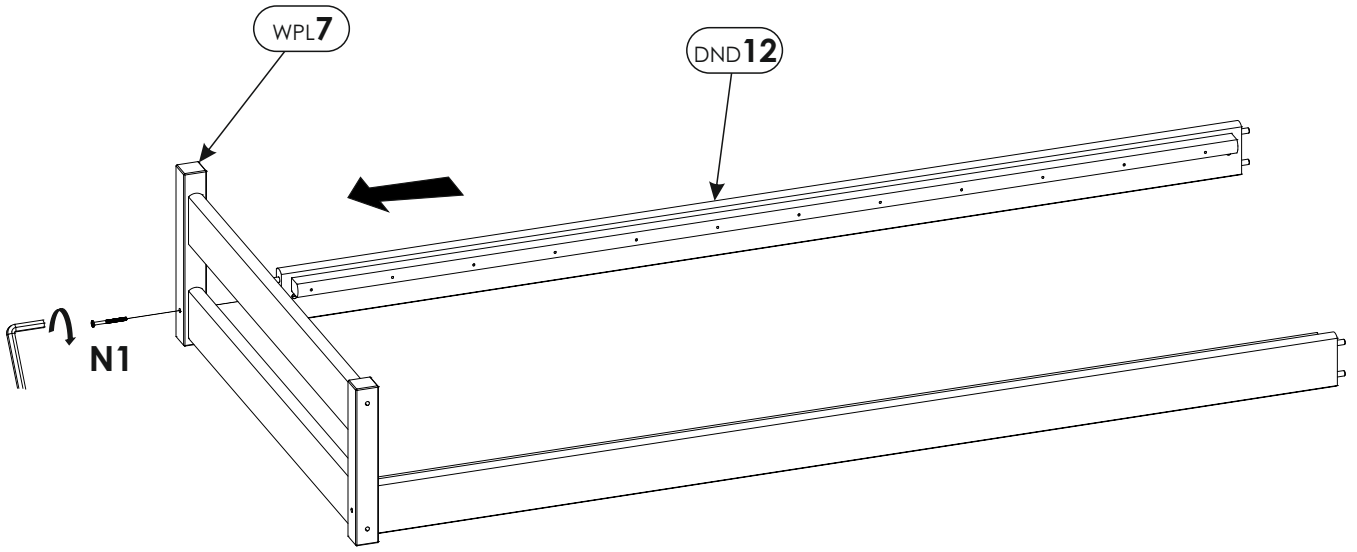
# 10.4



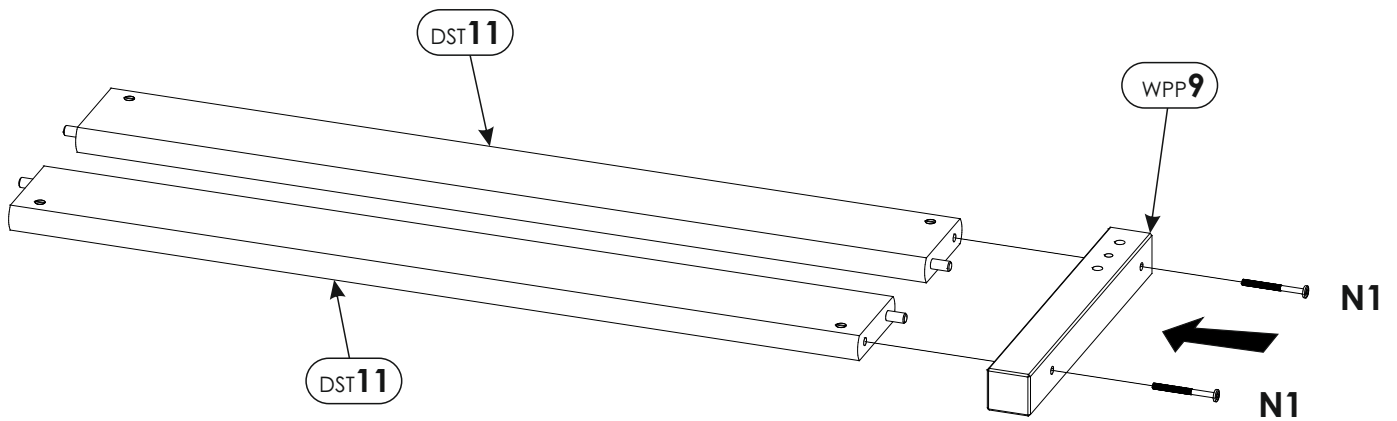
# 11.



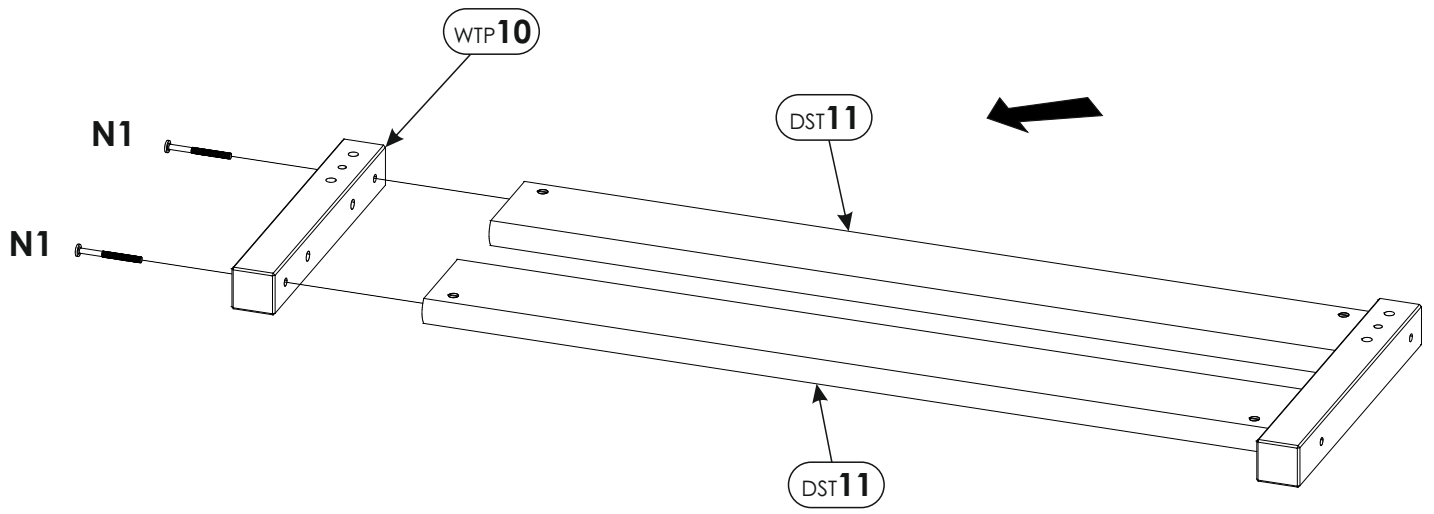
# 12.



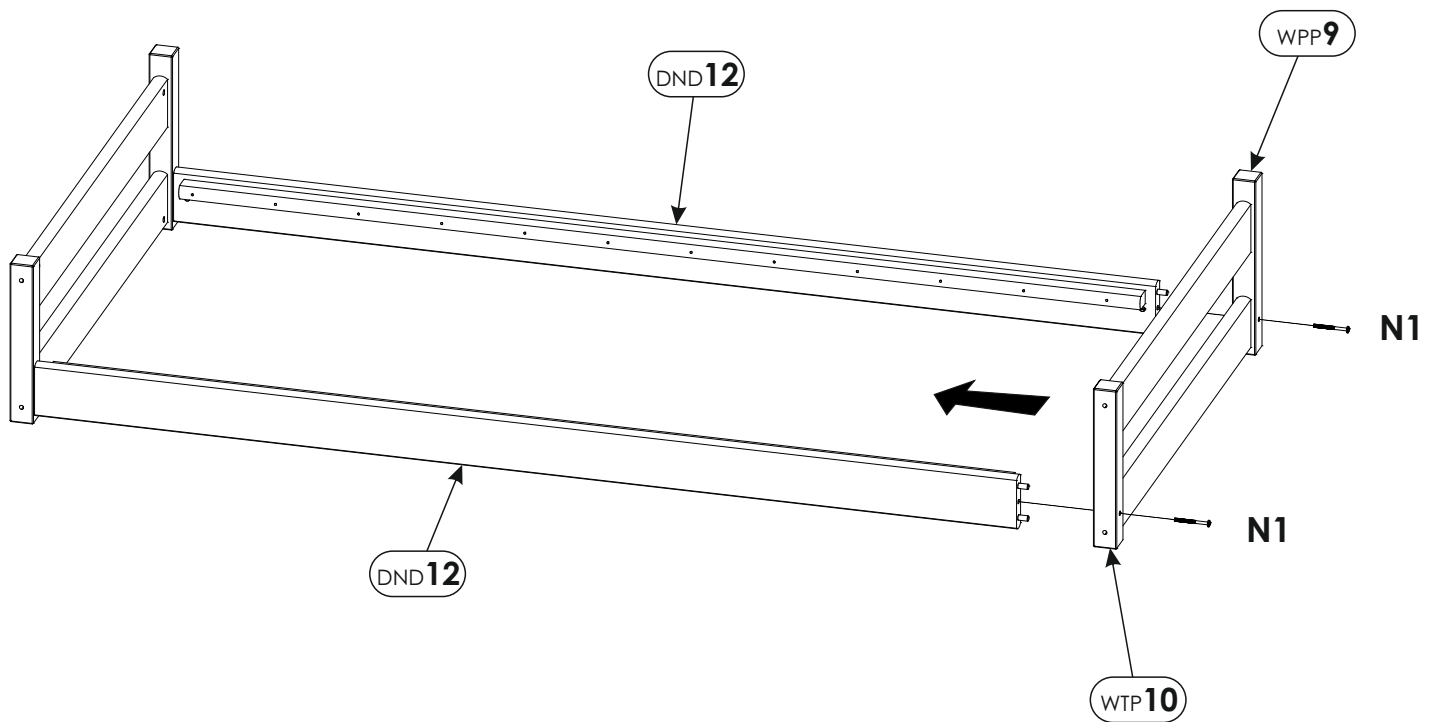
# 13.



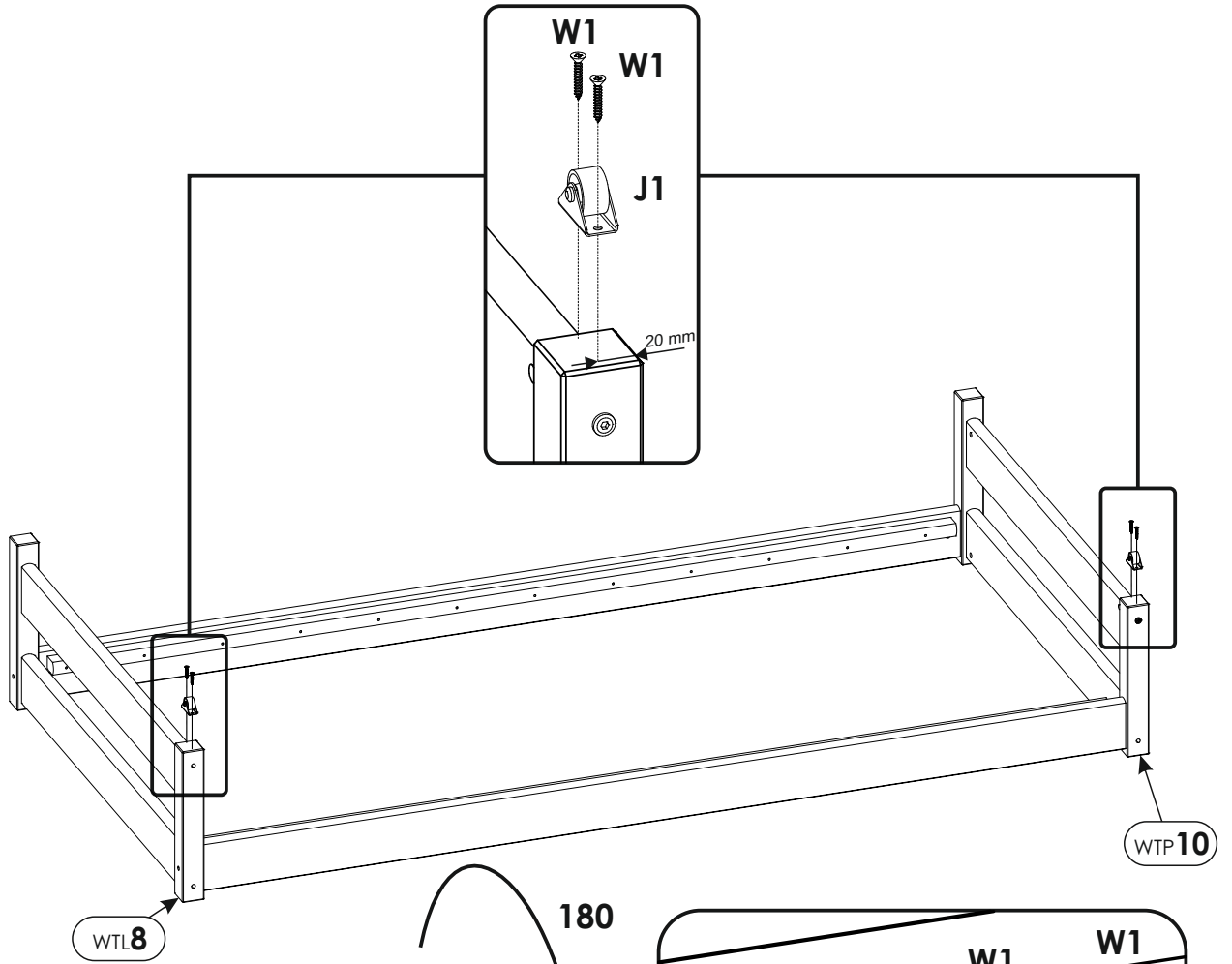
# 14.



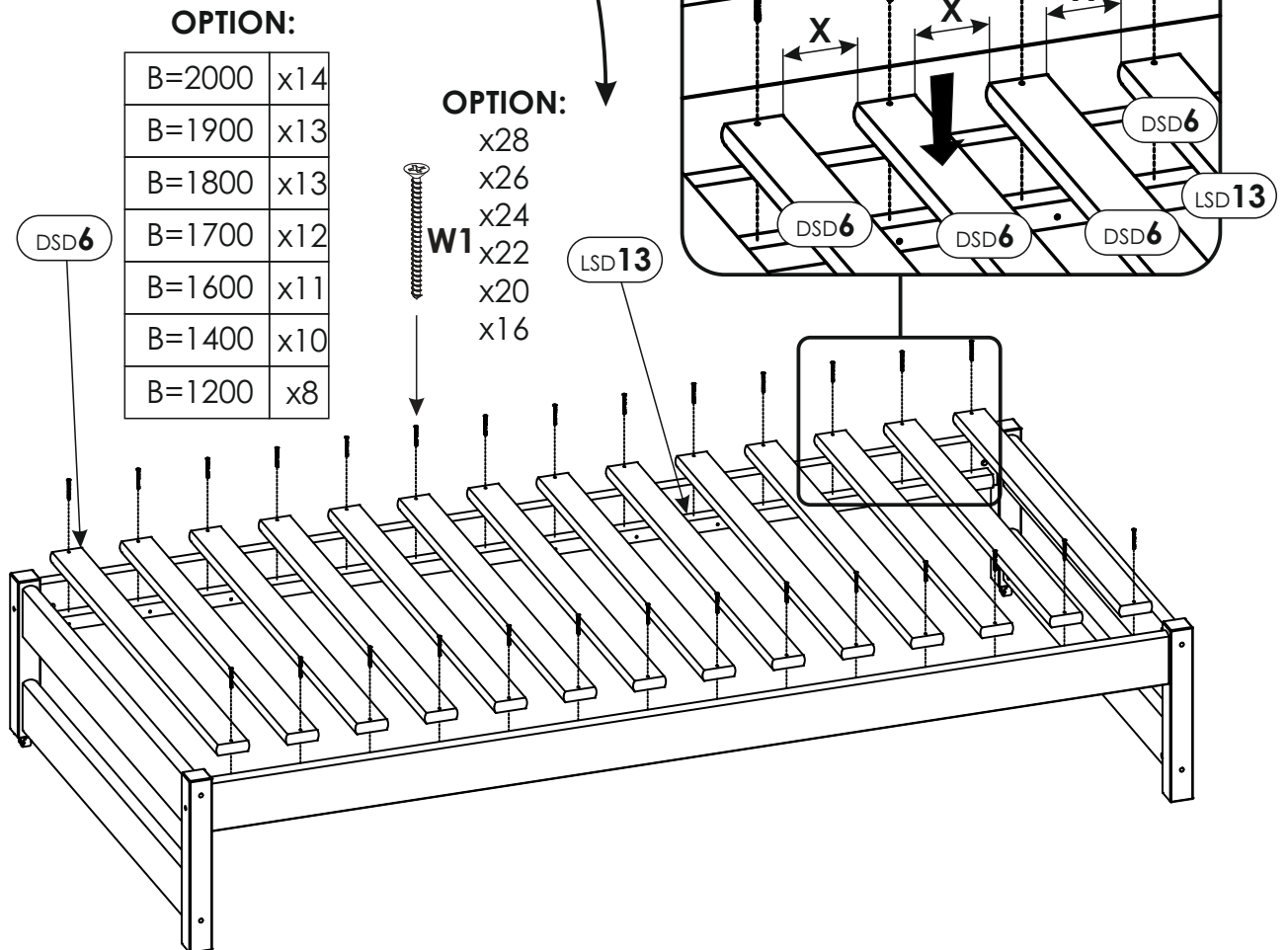
# 15.



# 16.



# 17.



18.

