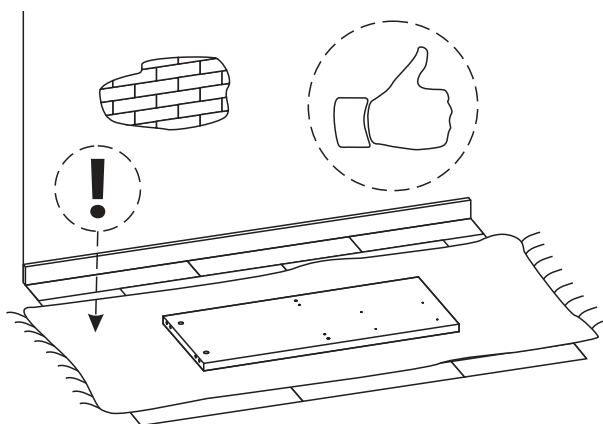
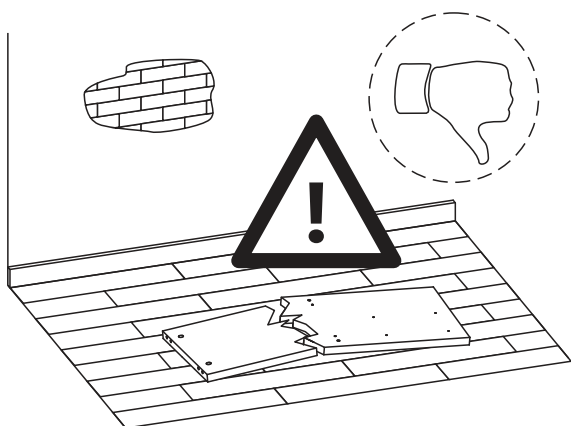
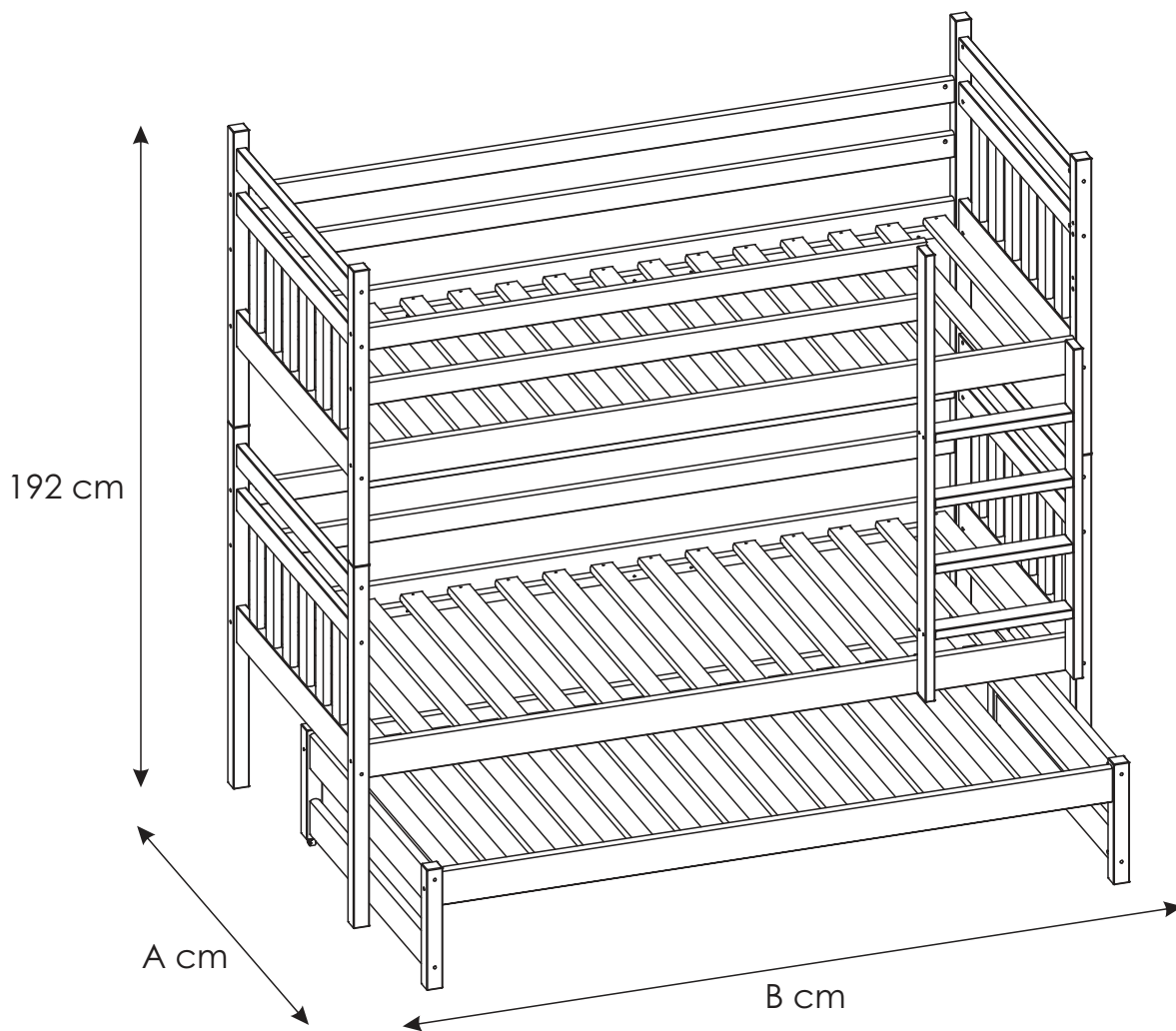
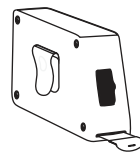
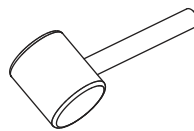
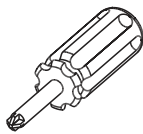
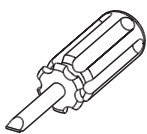
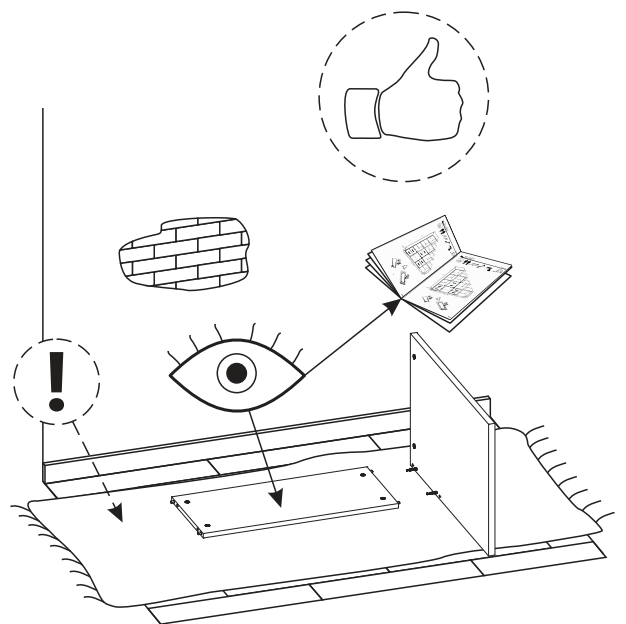
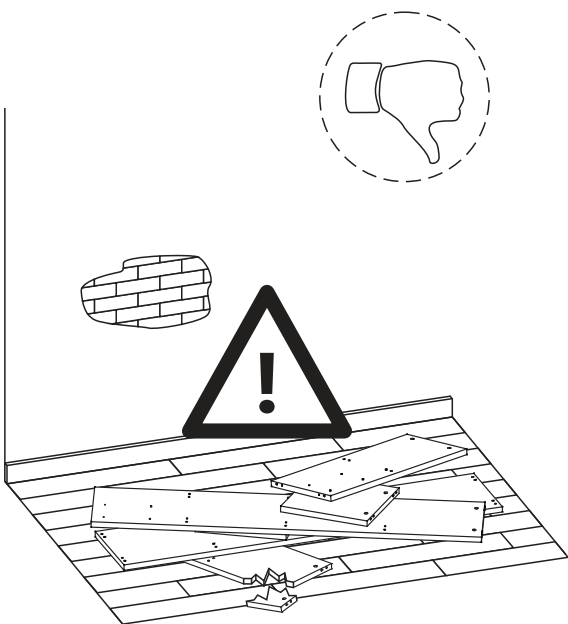
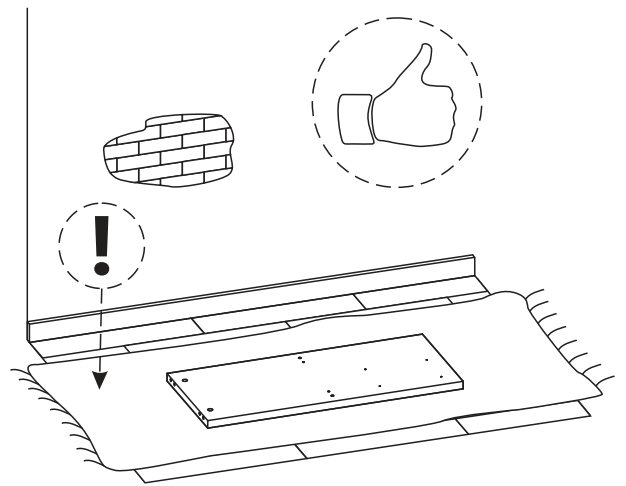
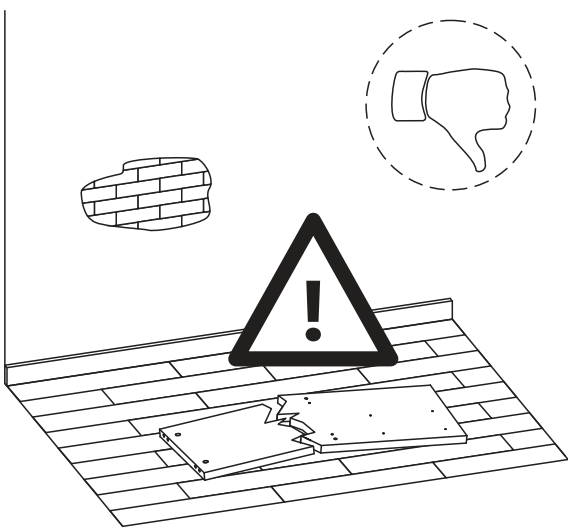
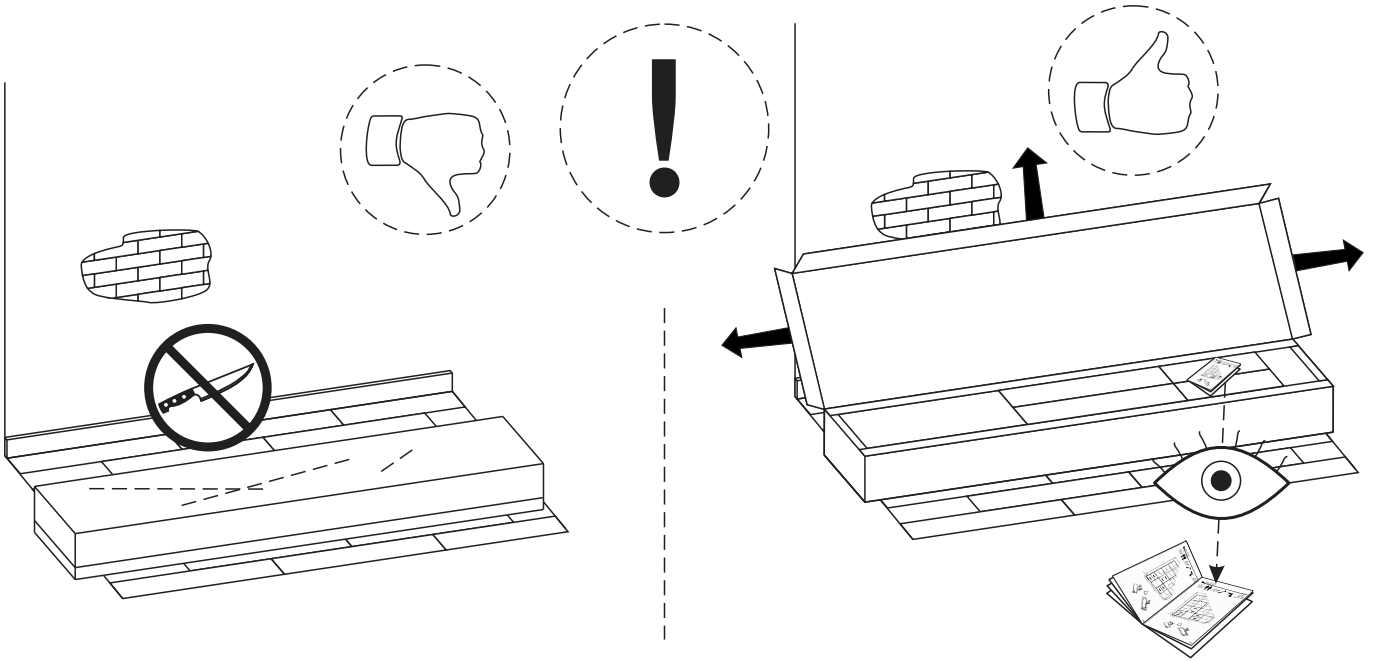


# ROBERT PROSTY

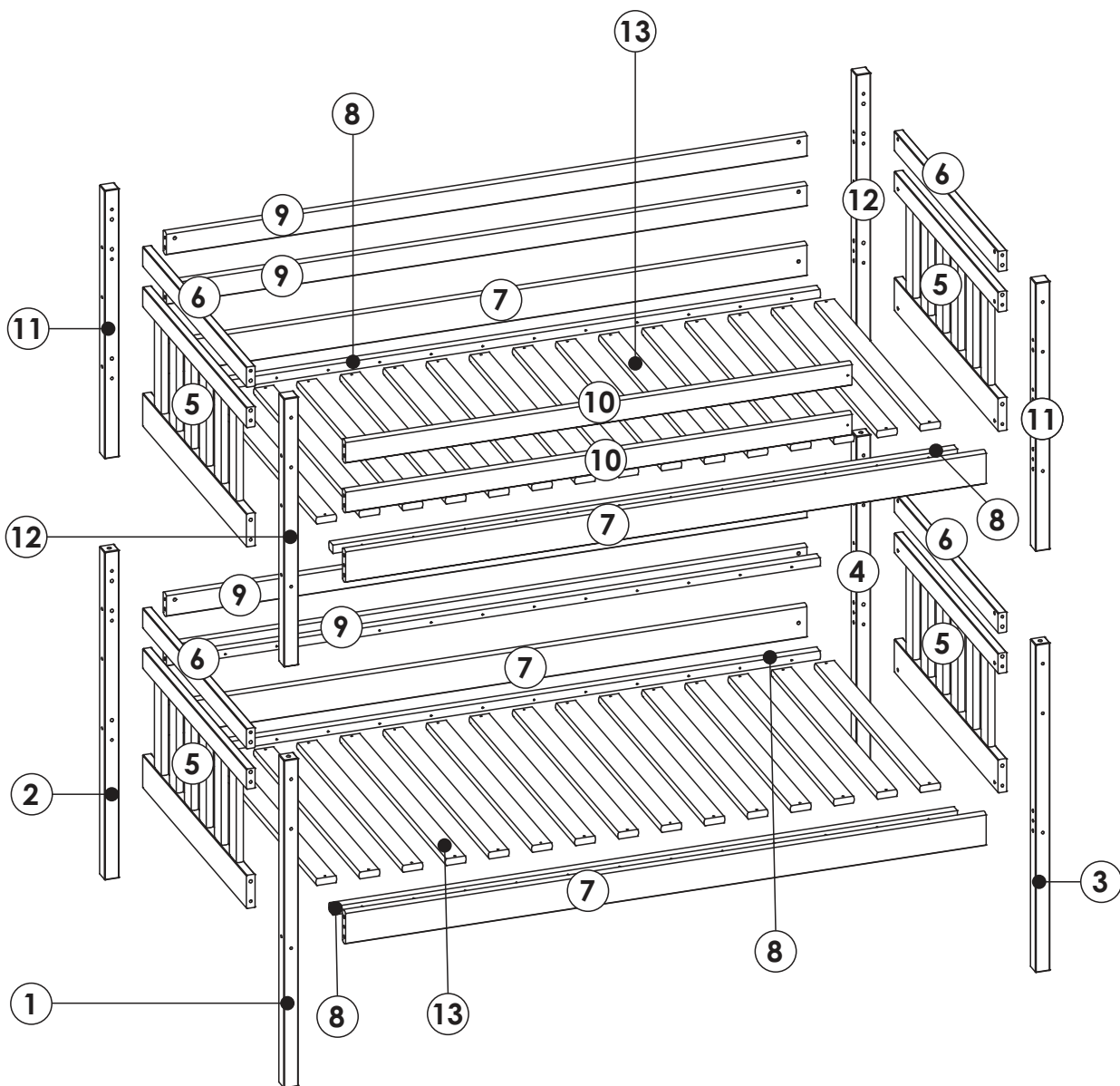
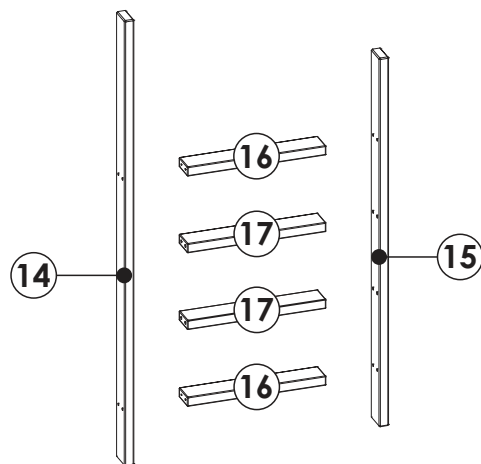
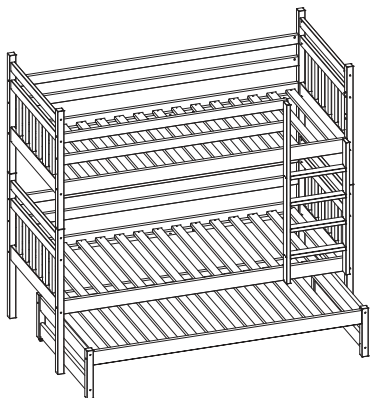


220 min

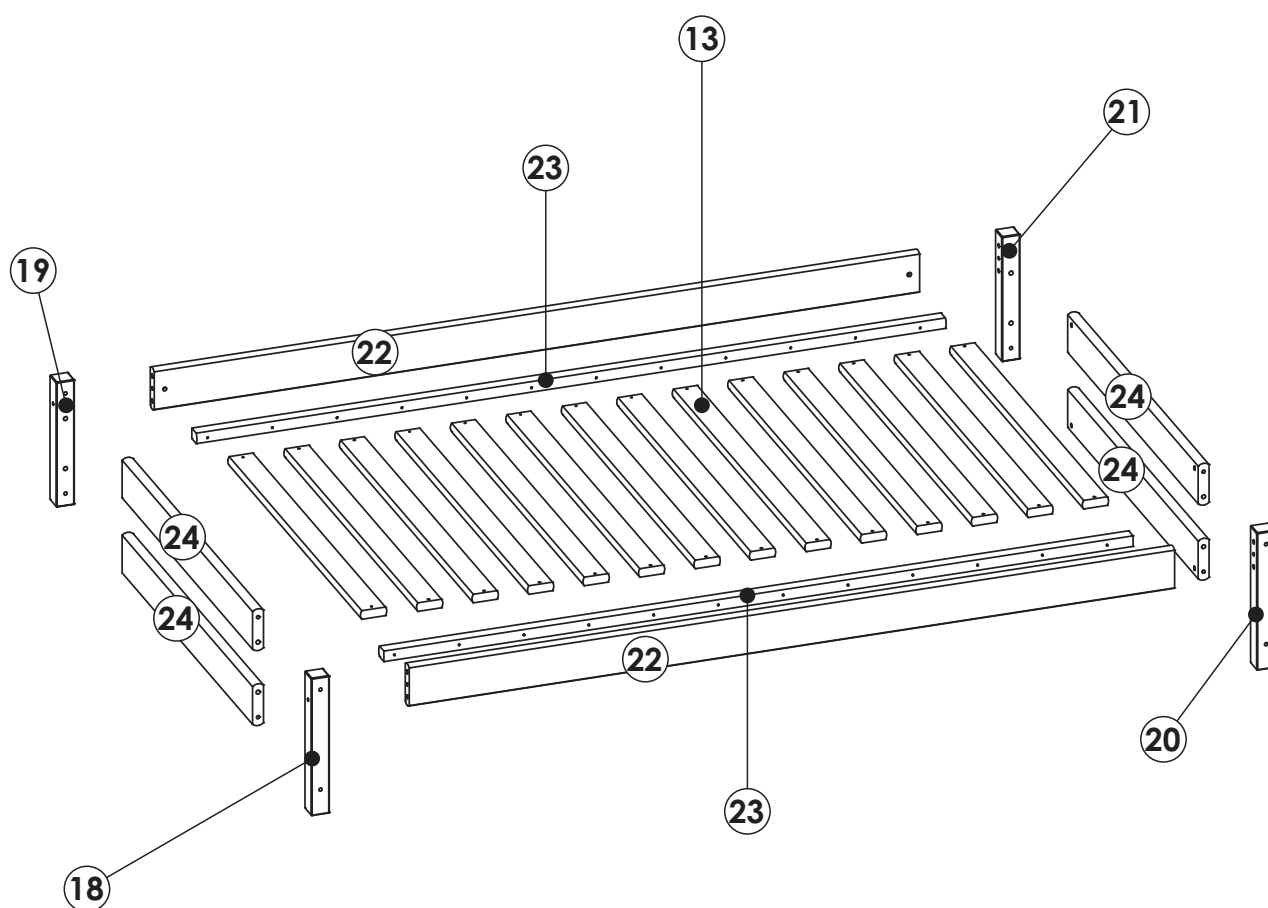
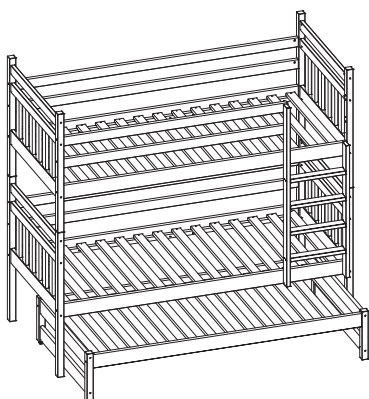




# ROBERT PROSTY



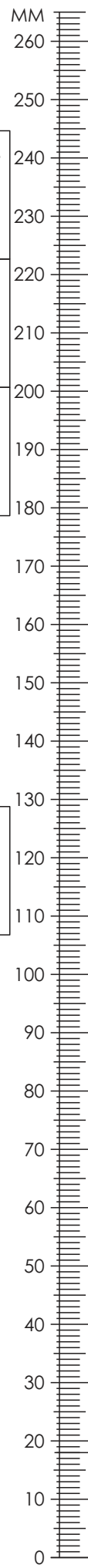
# ROBERT PROSTY

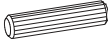

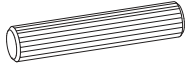
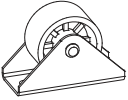







# ROBERT PROSTY


DPL <b>1</b>	1056	45	45	x1	M3NDPL_01020
DTL <b>2</b>	1056	45	45	x1	RNDTL_01590
DPP <b>3</b>	1056	45	45	x1	M3NDPP_01040
DTP <b>4</b>	1056	45	45	x1	RNDTP_01600
PP <b>5</b>	685, 785, 885	449	27	x4	PS_00470 DPT65_01110 DP_00480
DP <b>6</b>	685, 785, 885	65	27	x4	DP65_01160
DN <b>7</b>	1390, 1590, 1690, 1790, 1890, 1990	107	27	x4	DN_00110
LS <b>8</b>	1340, 1540, 1640, 1740, 1840, 1940	35	27	x4	LS_00160
DW <b>9</b>	1390, 1590, 1690, 1790, 1890, 1990	75	27	x4	DW75_00930
DWD <b>10</b>	973, 1173, 1273, 1373, 1473, 1573	75	27	x2	DW75DD_00940
GPP <b>11</b>	864	45	45	x2	RNGPP_01620
GPL <b>12</b>	864	45	45	x2	RNGPL_01610
P4S <b>14</b>	1305	65	27	x1	DDP4S_00630
P4S <b>15</b>	965	65	27	x1	DDP4S_00620
DSS <b>16</b>	390	65	27	x2	DSS_00210
DSK <b>17</b>	390	65	27	x2	DSK_00220
WPL <b>18</b>	352	45	45	x1	NWPL_01060
WTL <b>19</b>	320	45	45	x1	NWTL_01080
WPP <b>20</b>	352	45	45	x1	NWPP_01070
WTP <b>21</b>	320	45	45	x1	NWTP_01090
DND <b>22</b>	1290, 1490, 1590, 1690, 1790, 1890	107	27	x2	DN_00110
LS <b>23</b>	1250, 1450, 1550, 1650, 1750, 1850	35	27	x2	LS_00160
DST <b>24</b>	685, 785, 885	107	27	x4	DST_00120

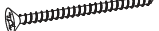
# ROBERT PROSTY



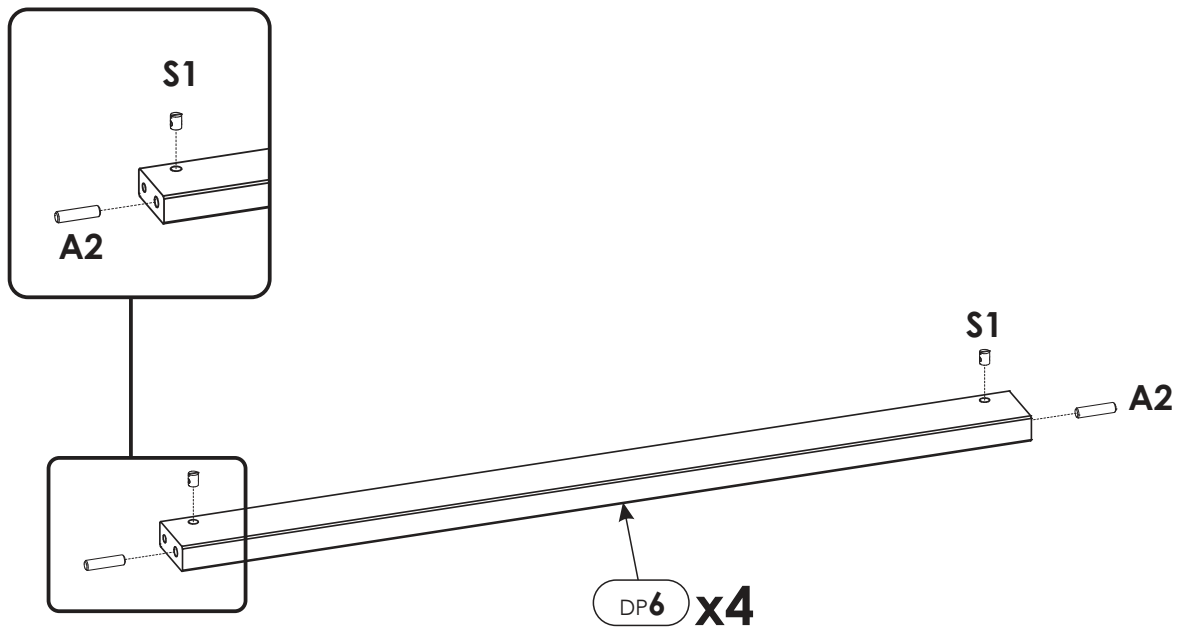
<p><b>A1</b> akc_0001</p>  <p>8 x 35 mm</p> <p style="text-align: right;"><b>x8</b></p>	<p><b>A2</b> akc_0002</p>  <p>10 x 40 mm</p> <p style="text-align: right;"><b>x66</b></p>	<p><b>A3</b> akc_0003</p>  <p>12 x 60 mm</p> <p style="text-align: right;"><b>x4</b></p>
<p><b>J1</b> akc_0016</p>  <p style="text-align: right;"><b>x2</b></p>	<p><b>K1</b> akc_0004</p>  <p>6,4 x 50 mm</p> <p style="text-align: right;"><b>x8</b></p>	<p><b>M</b> akc_0005</p>  <p style="text-align: right;"><b>x1</b></p>
<p><b>N1</b> akc_0006</p>  <p>6 x 80 mm</p> <p style="text-align: right;"><b>x54</b></p>	<p><b>S1</b> akc_0008</p>  <p>10 x 16 mm</p> <p style="text-align: right;"><b>x54</b></p>	<p><b>W4</b> akc_0012</p>  <p>4 x 60 mm</p> <p style="text-align: right;"><b>x6</b></p>

----- **OPTION** -----

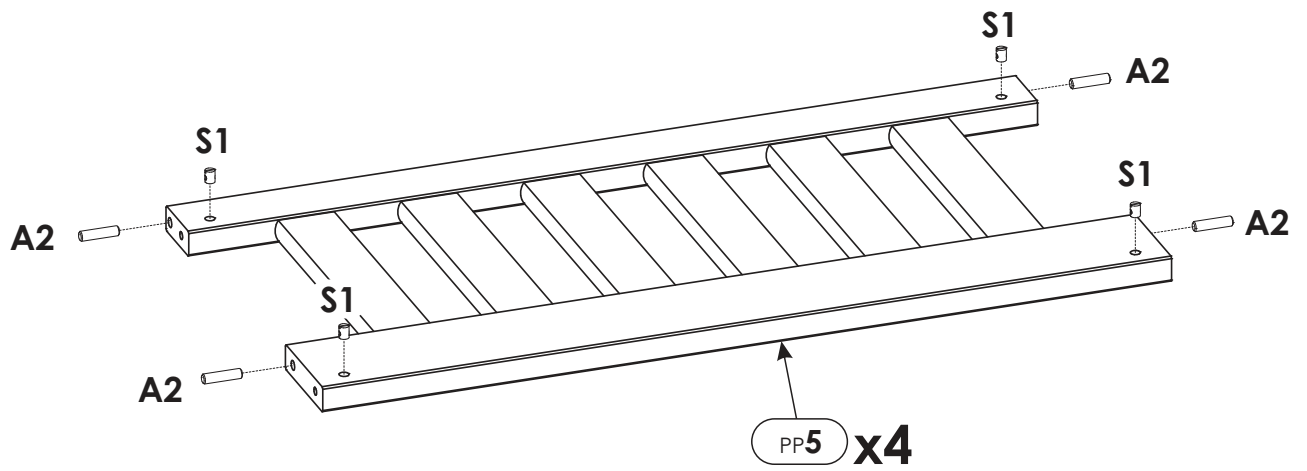
<p><b>W1</b> akc_0009</p>  <p>3,5 x 40 mm</p> <p style="text-align: right;"><b>60 &lt; x &lt; 88</b></p>
---

<p><b>W3</b> akc_0011</p>  <p>4 x 50 mm</p> <p style="text-align: right;"><b>60 &lt; x &lt; 72</b></p>
---

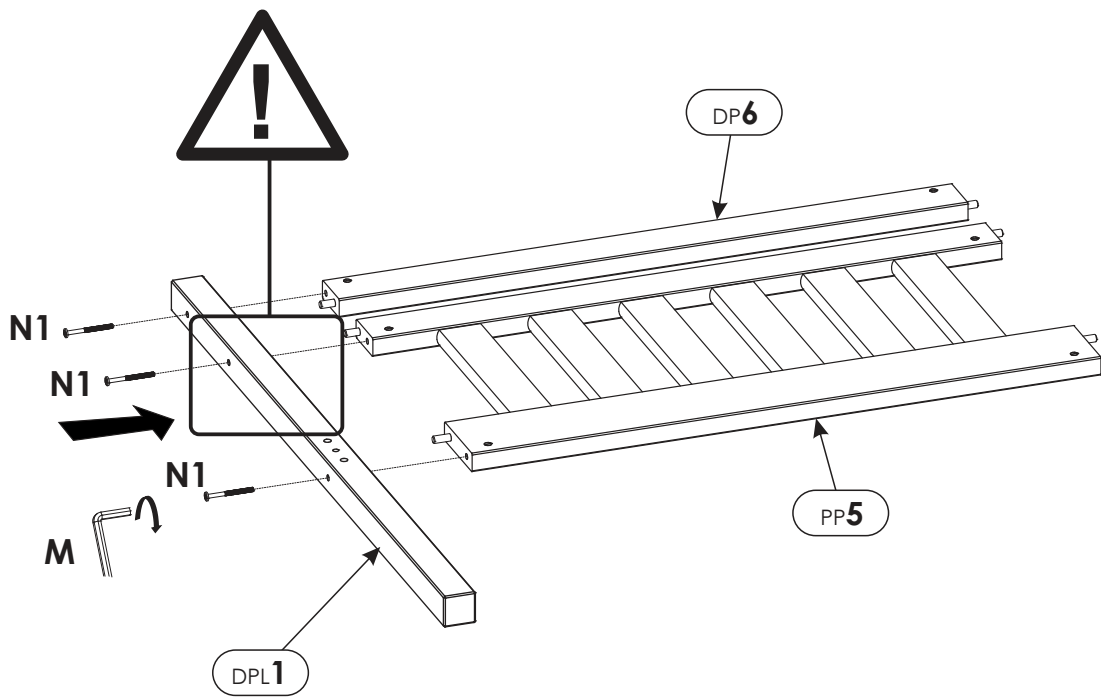
# 1.



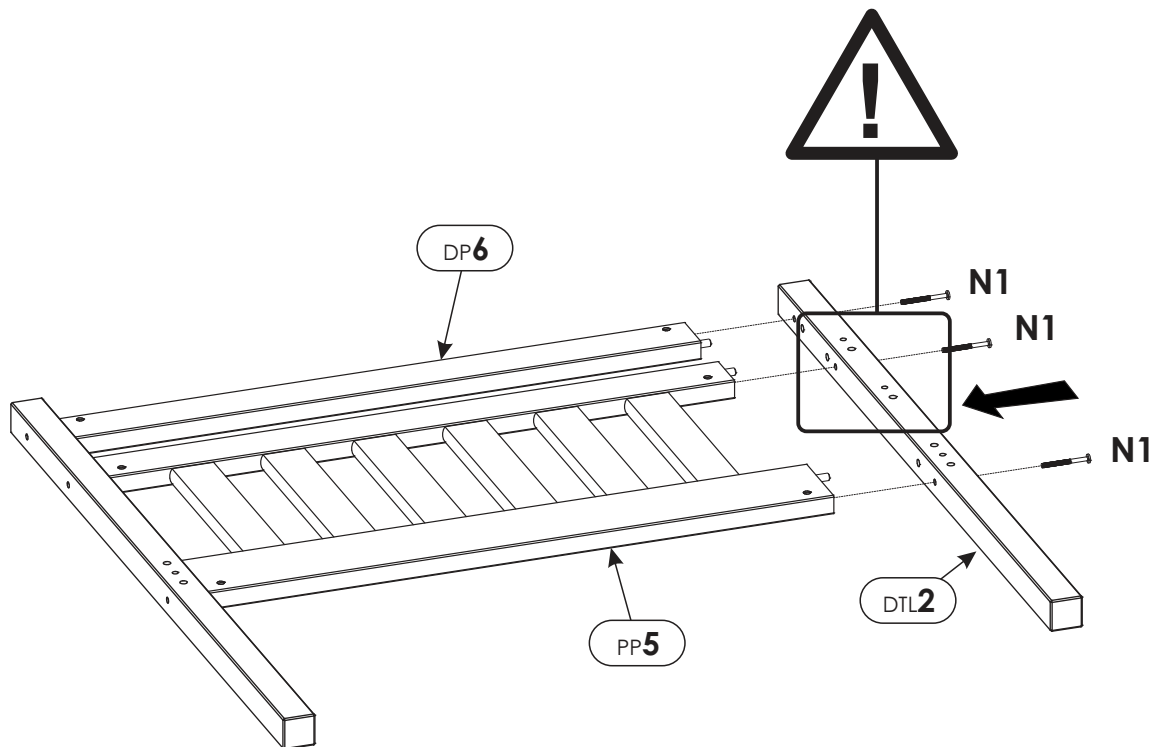
# 2.



3.



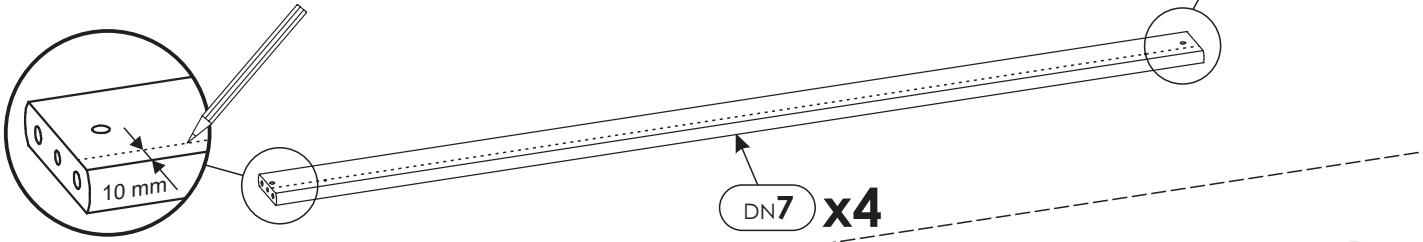
4.



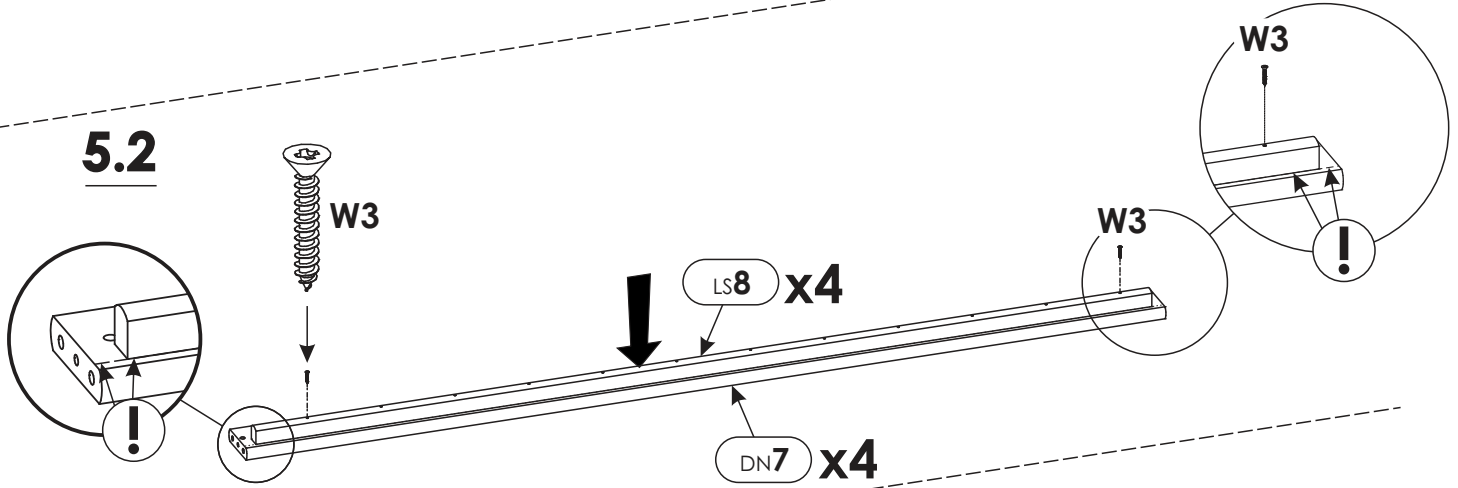


# 5.

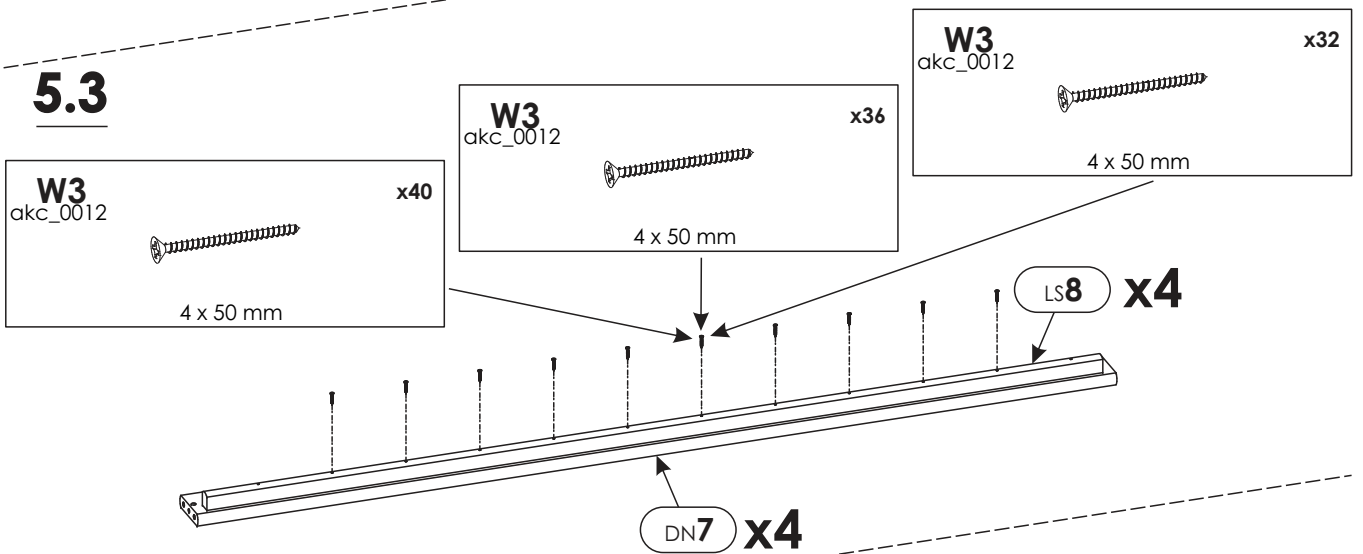
## 5.1



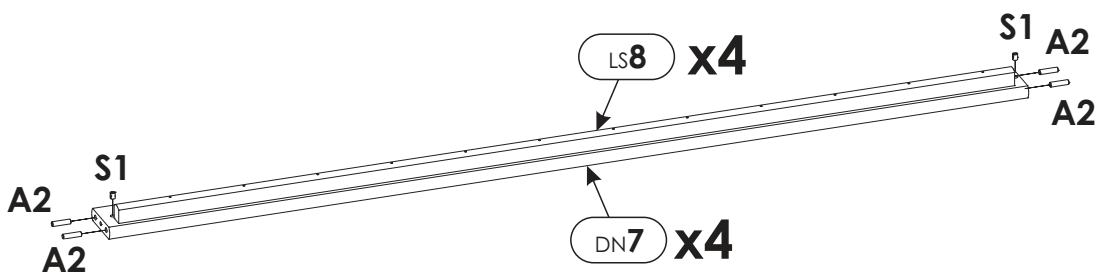
## 5.2



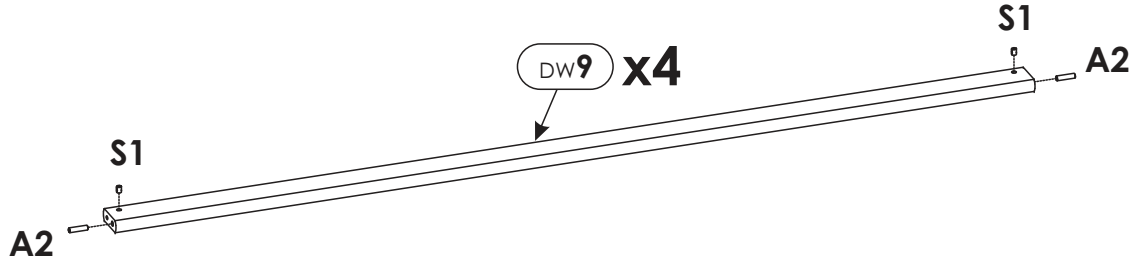
## 5.3



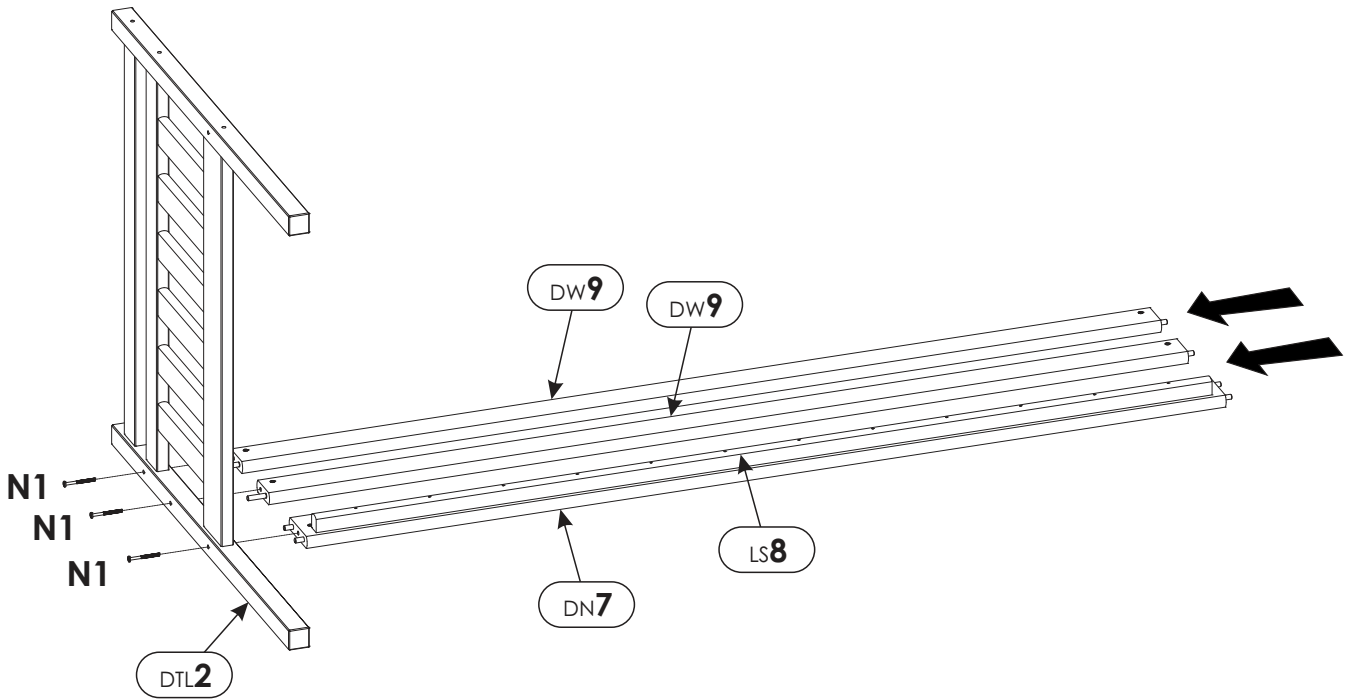
## 5.4



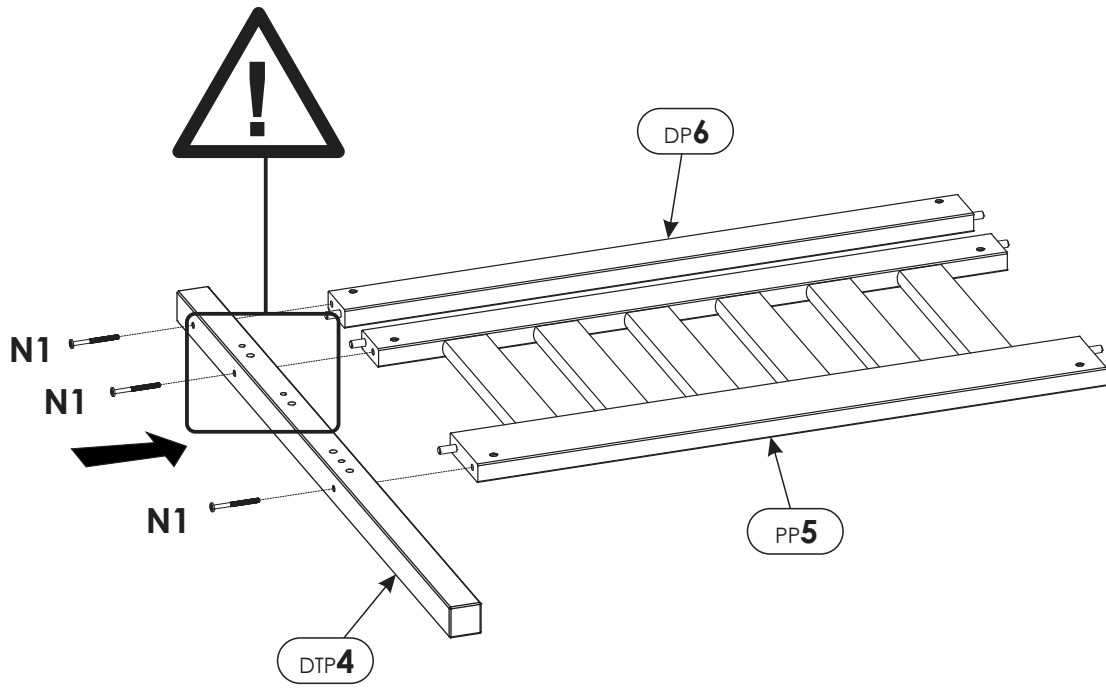
6.



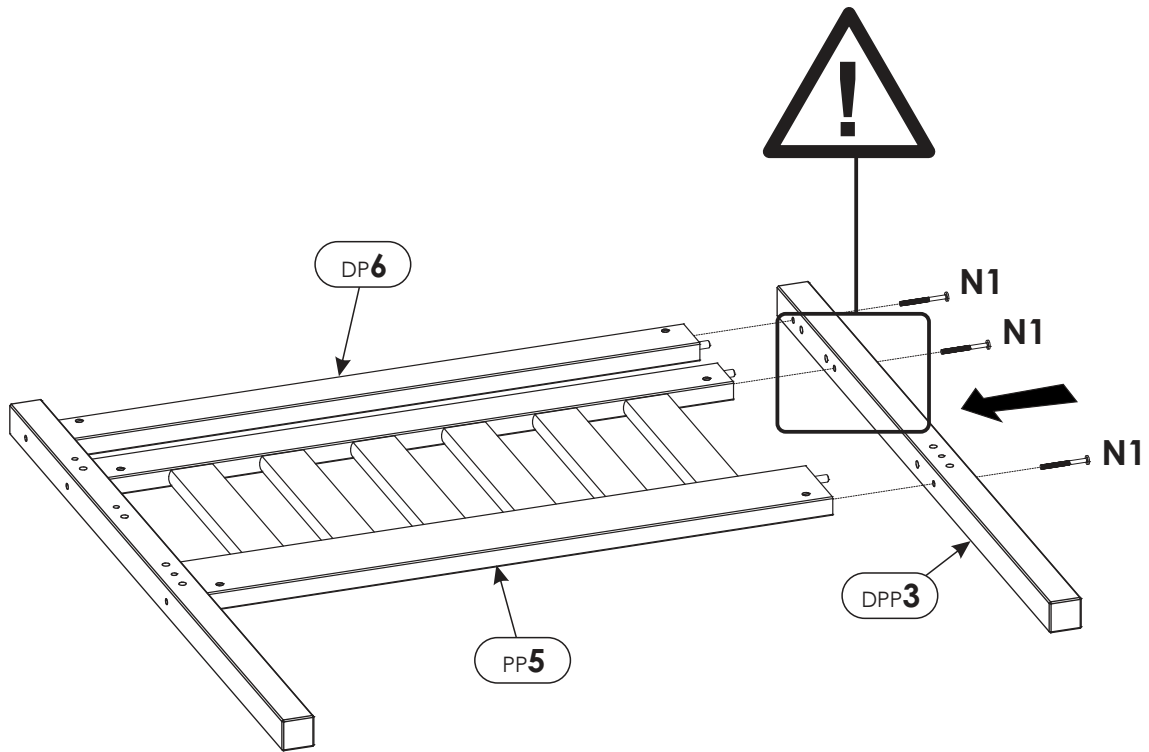
7.



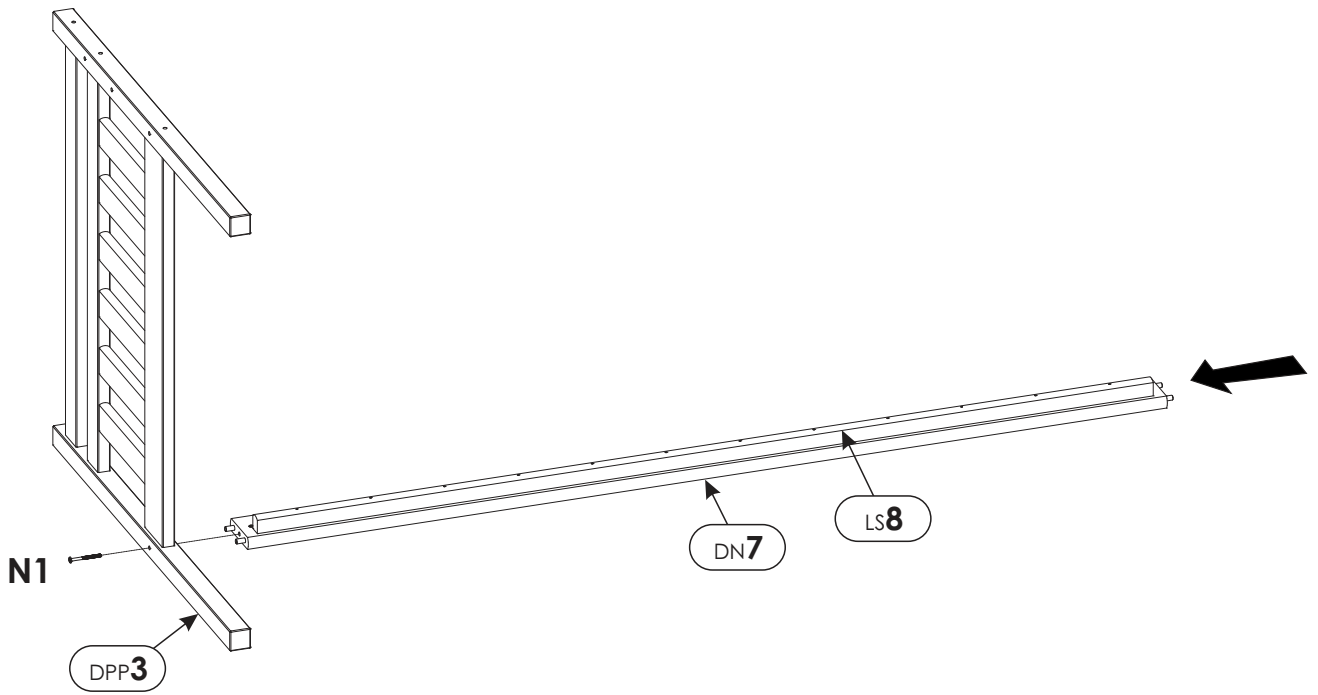
8.



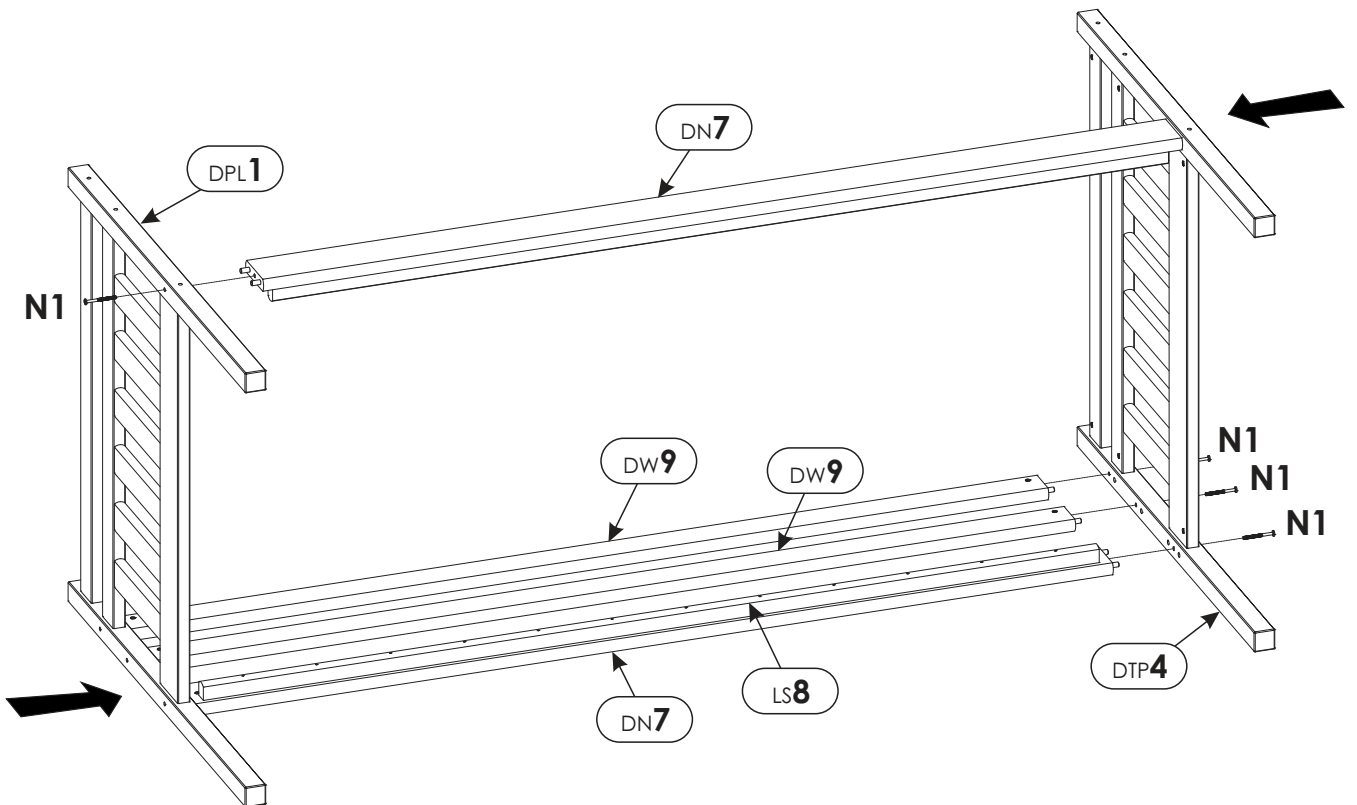
9.



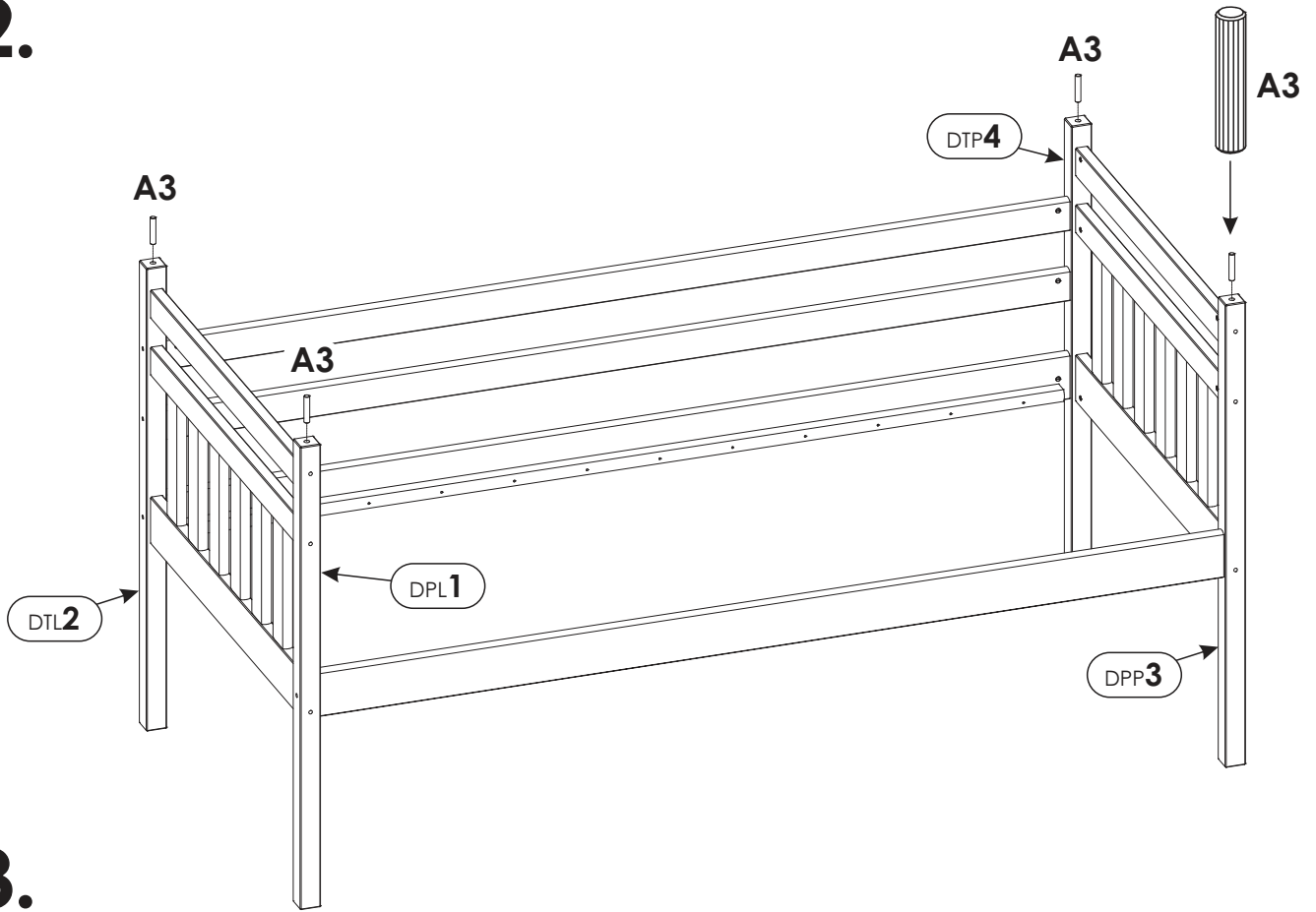
# 10.



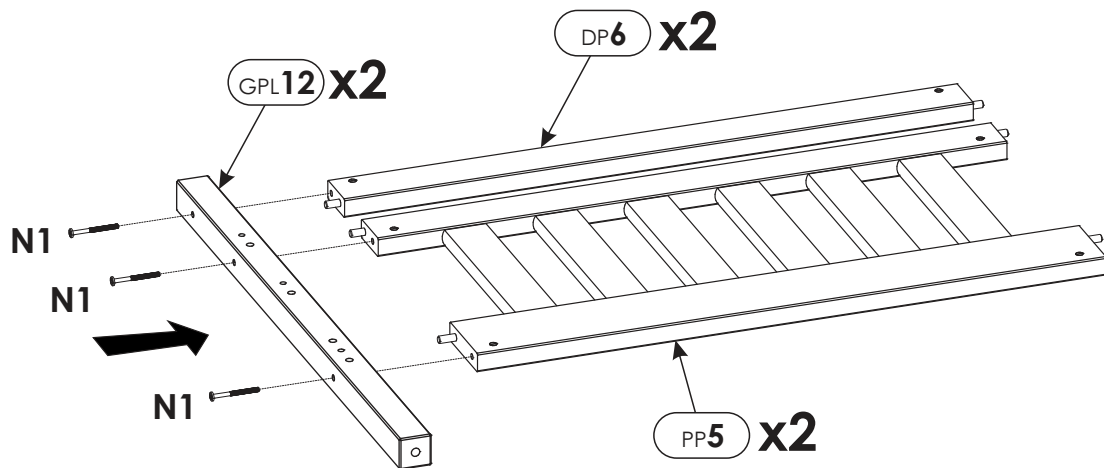
# 11.



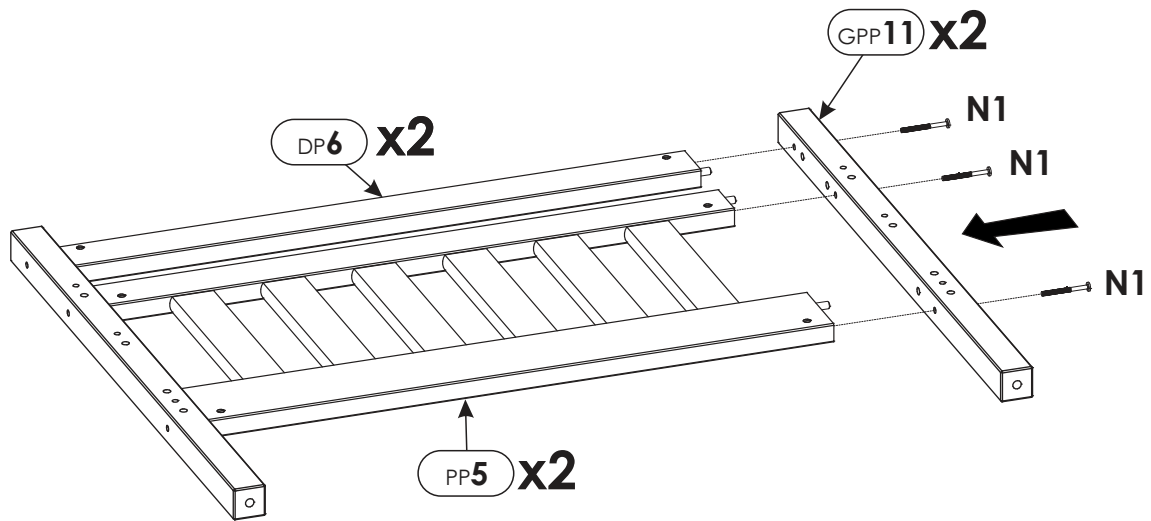
# 12.



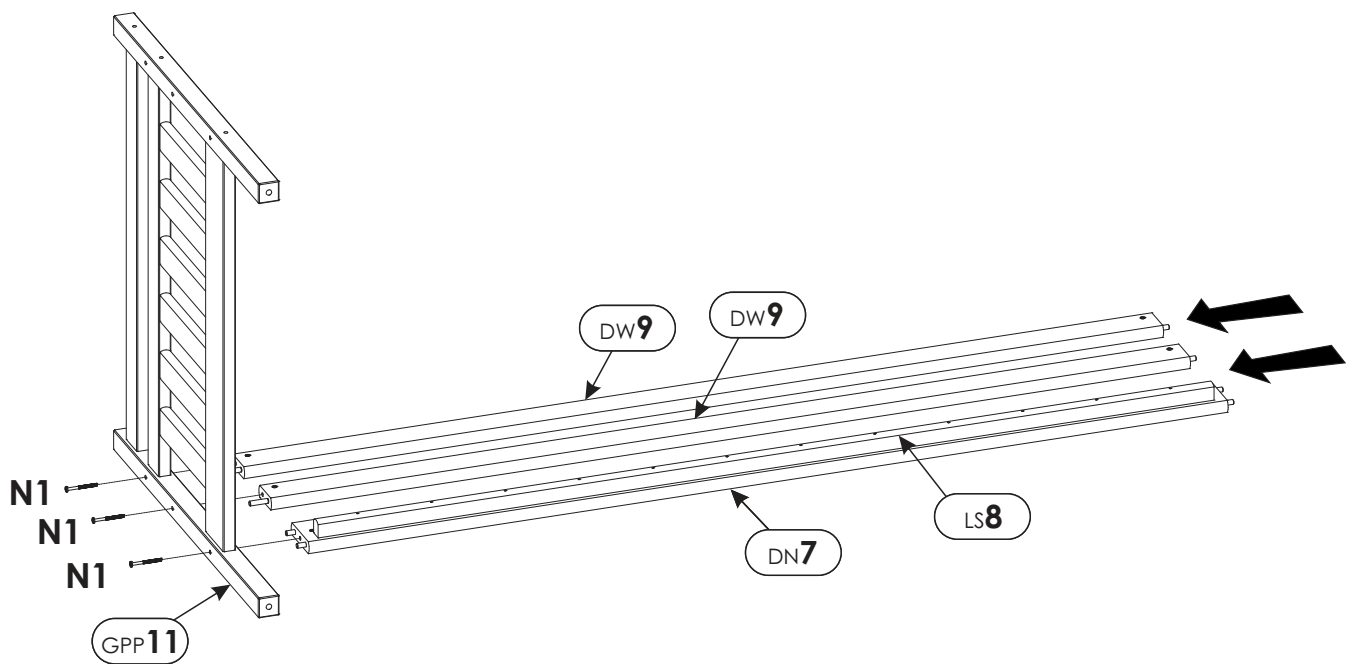
# 13.



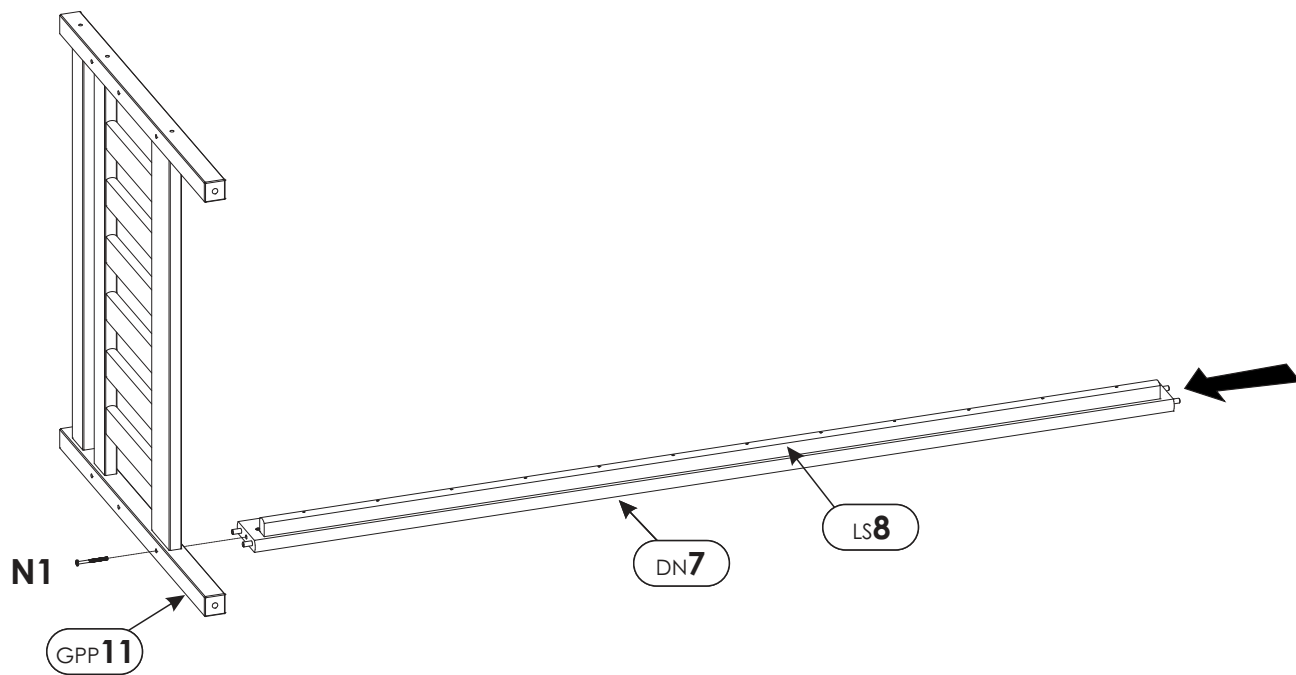
# 14.



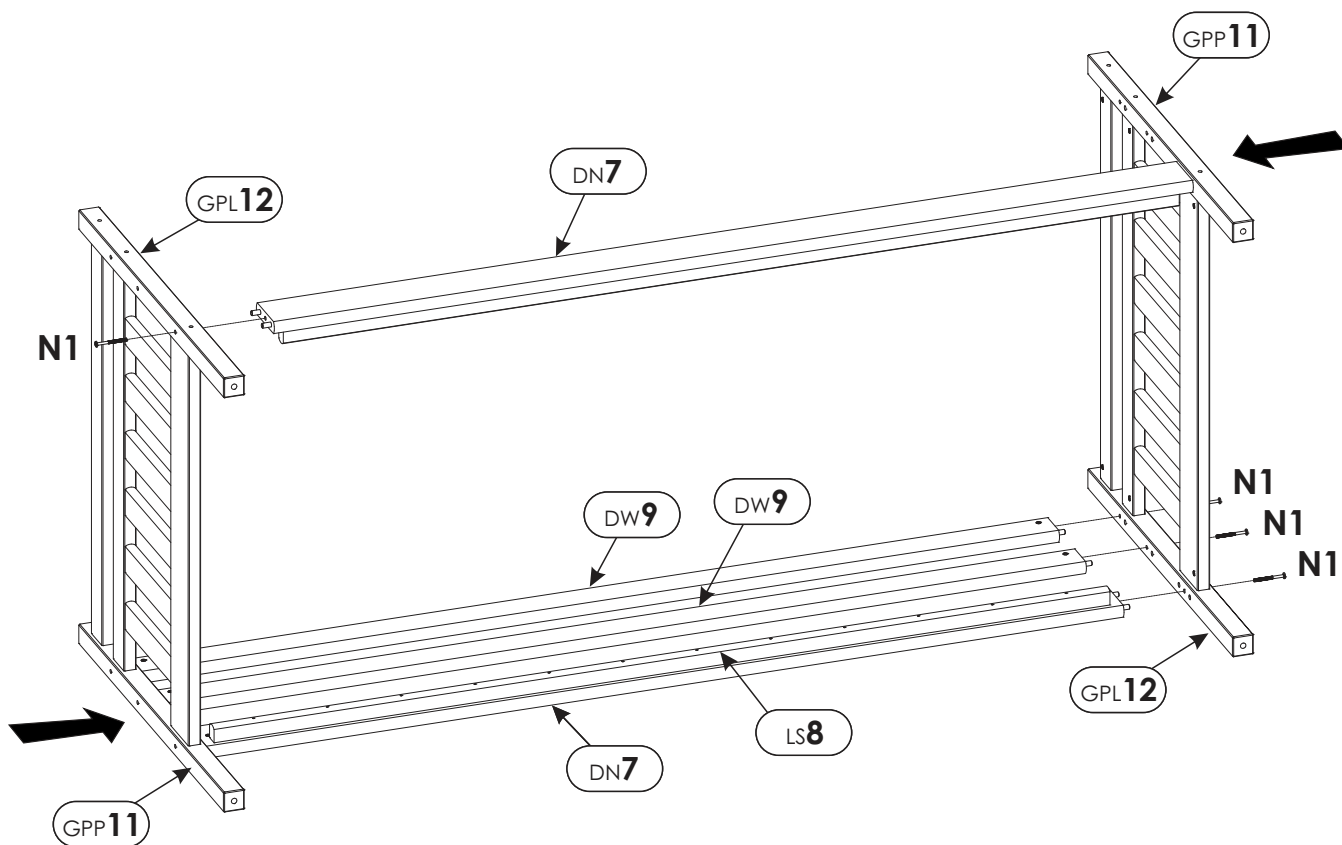
# 15.



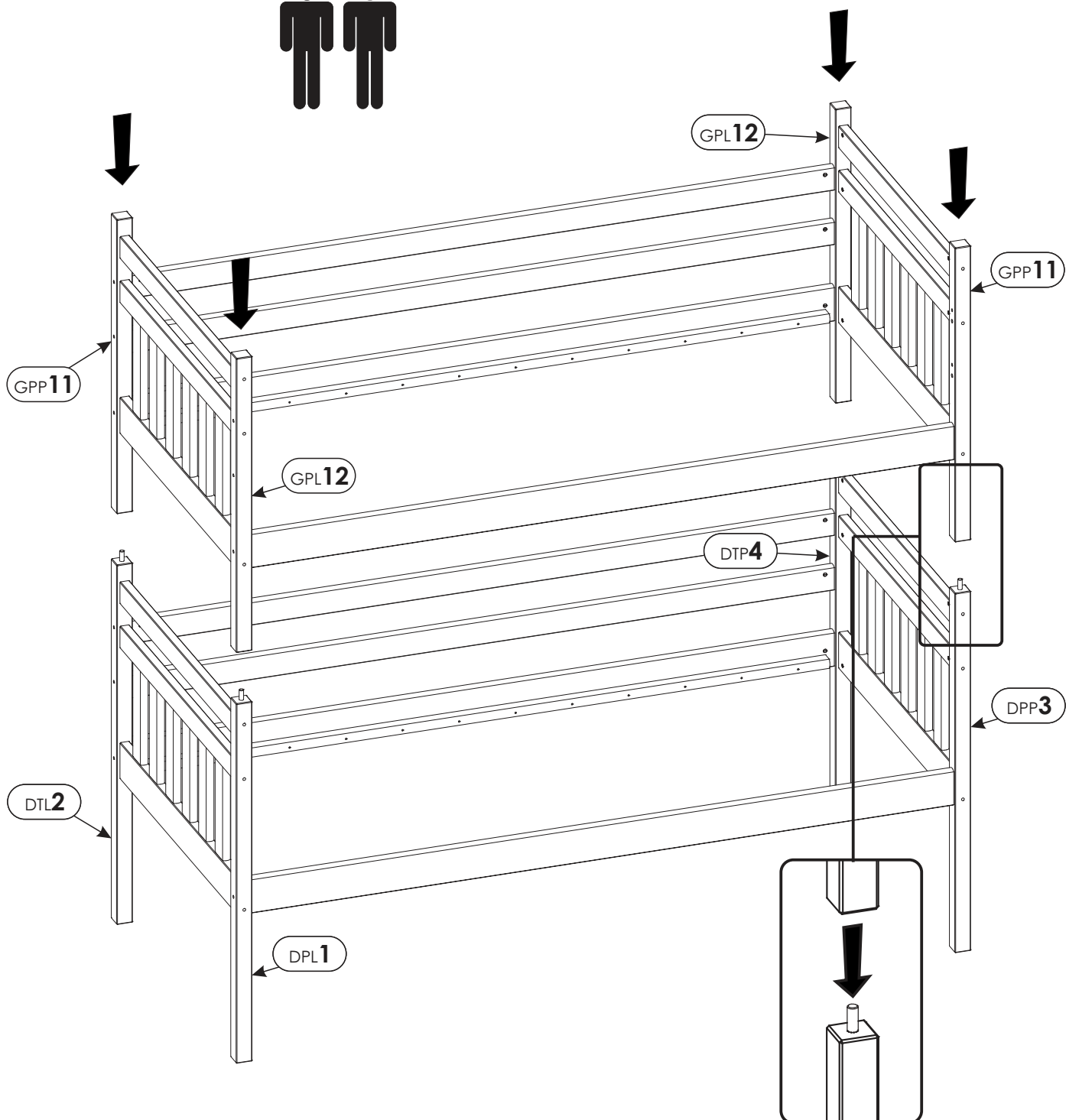
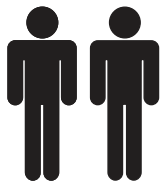
# 16.



# 17.

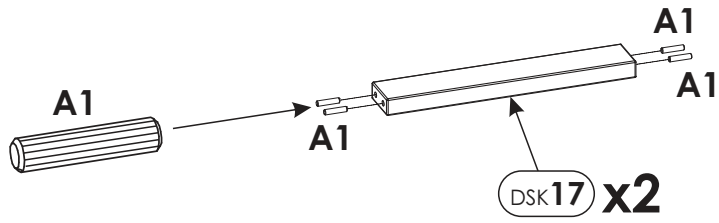


# 18.

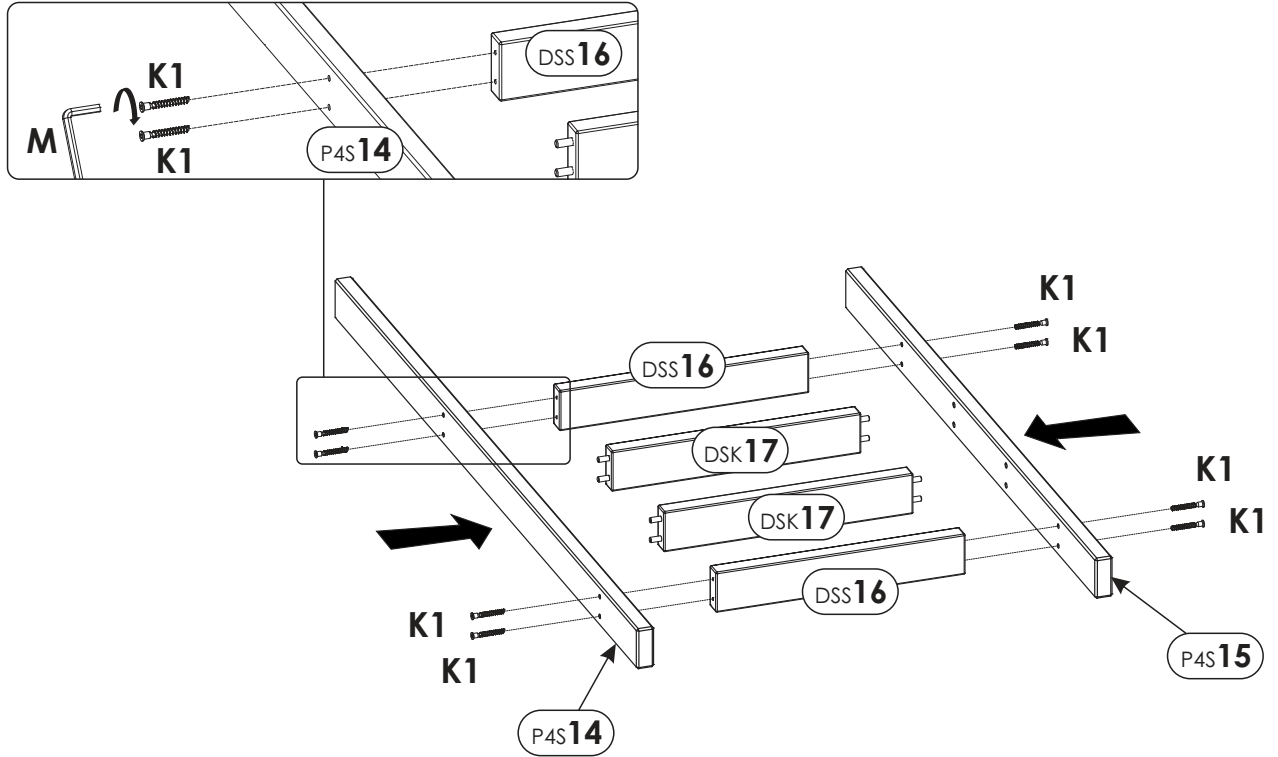




# 19.



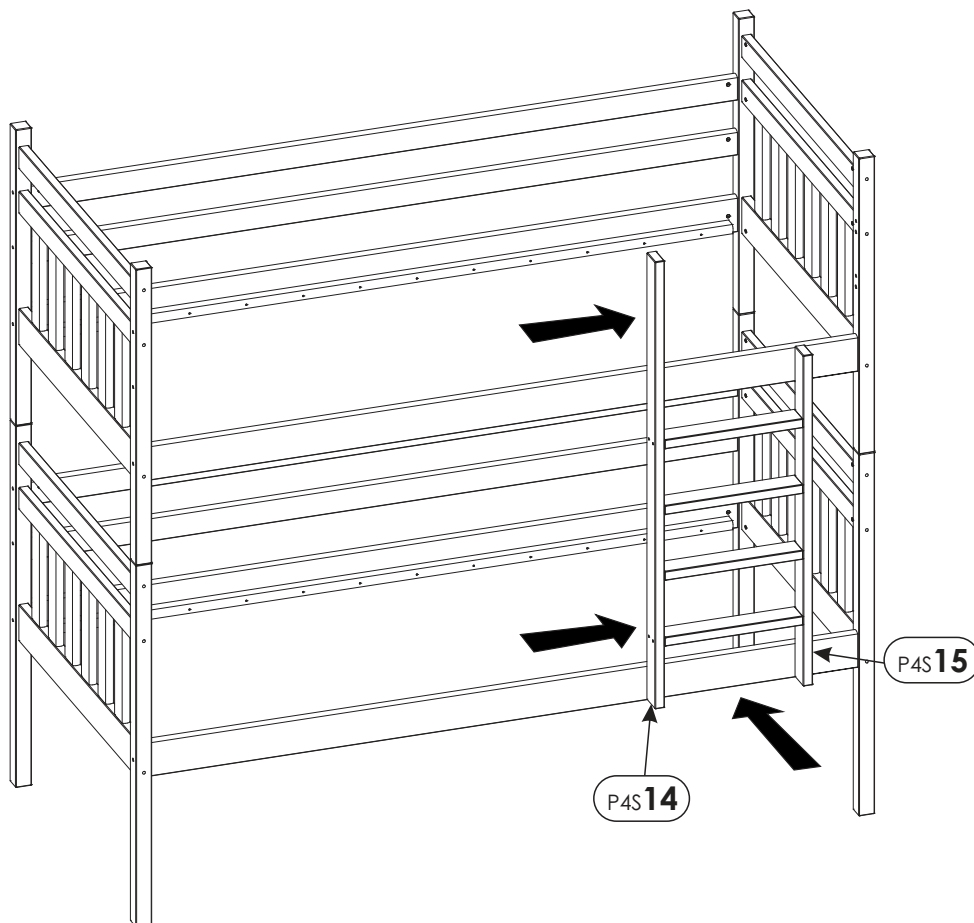
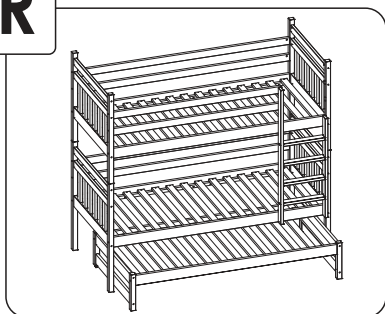
# 20.



# 21.

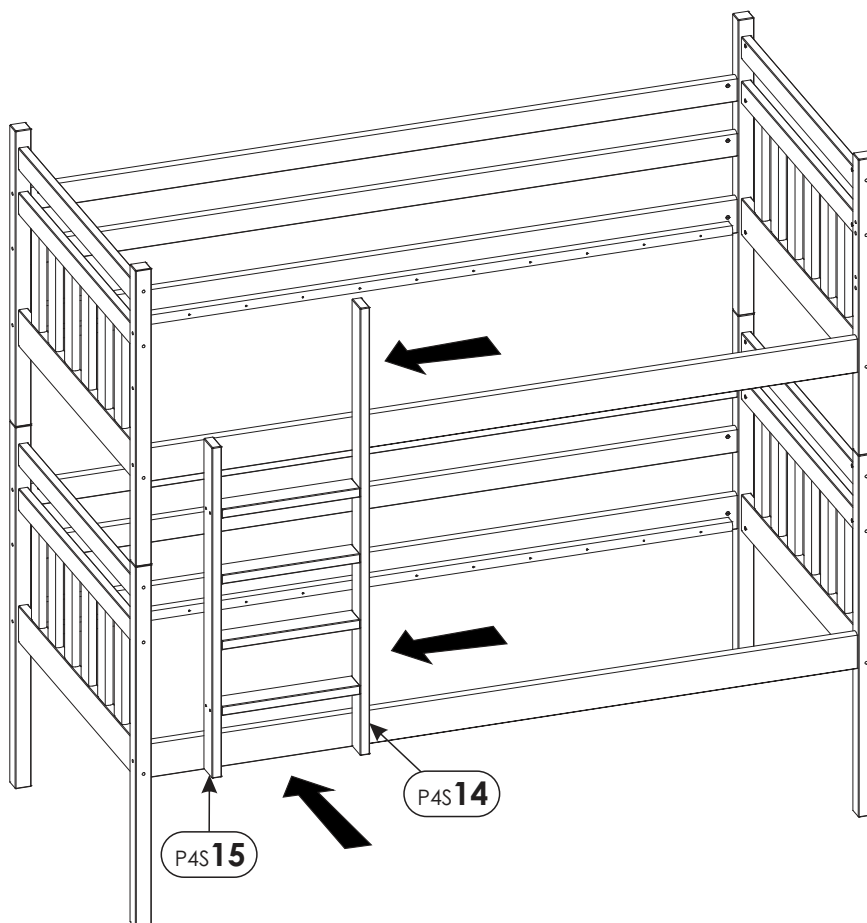
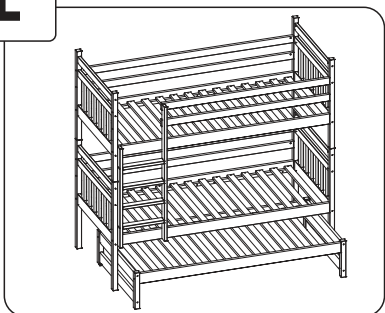
## 21.1

R



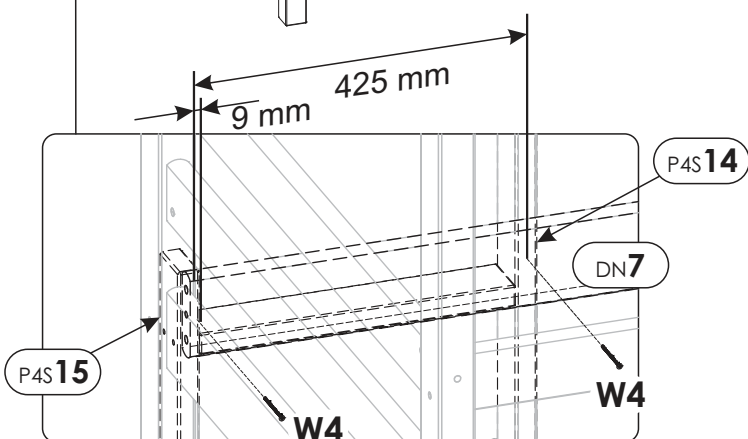
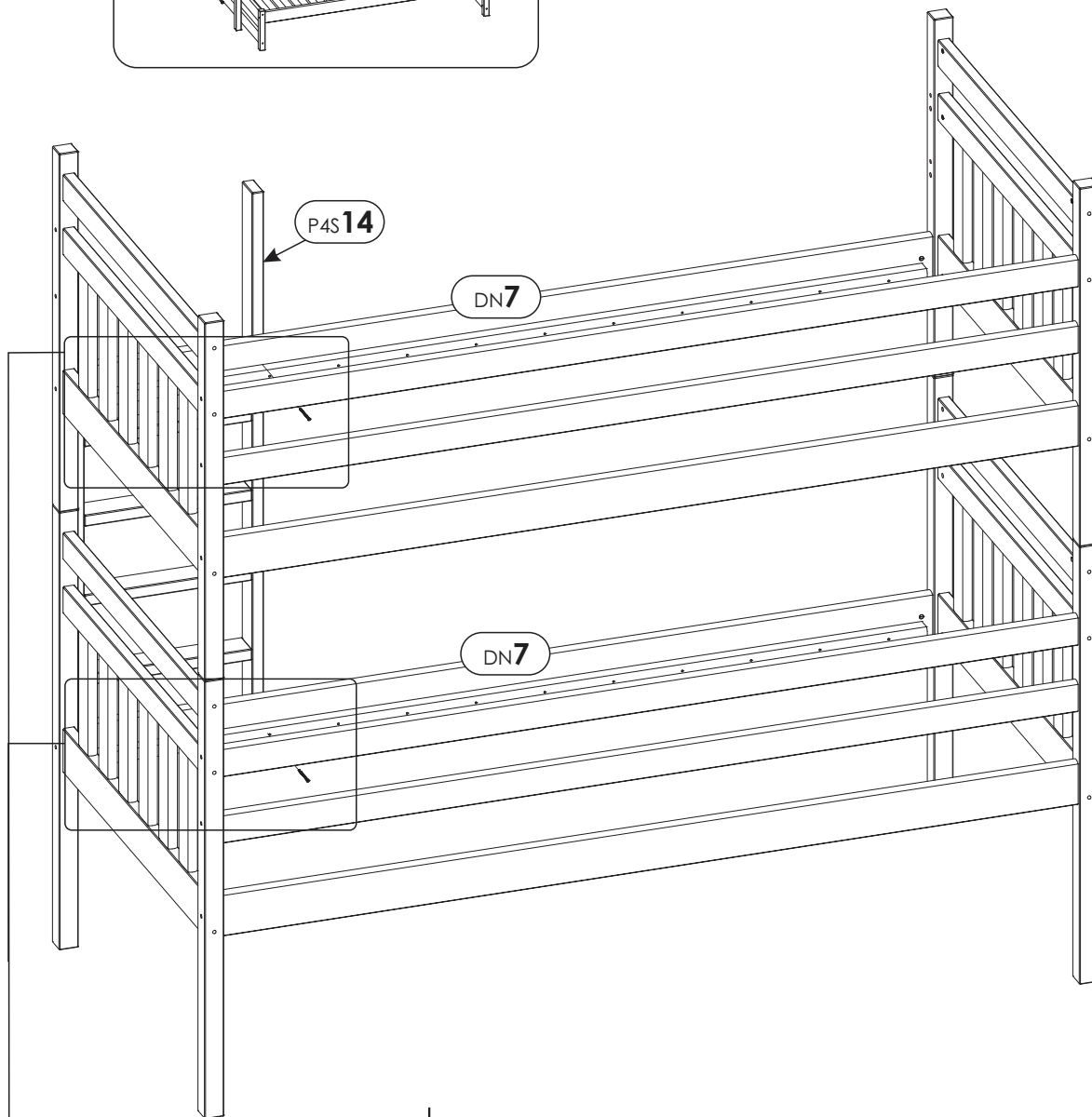
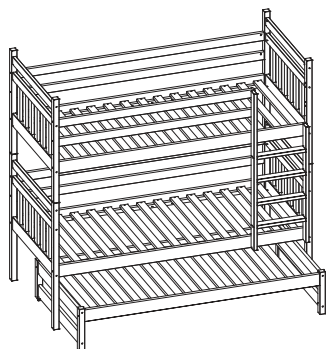
## 21.2

L



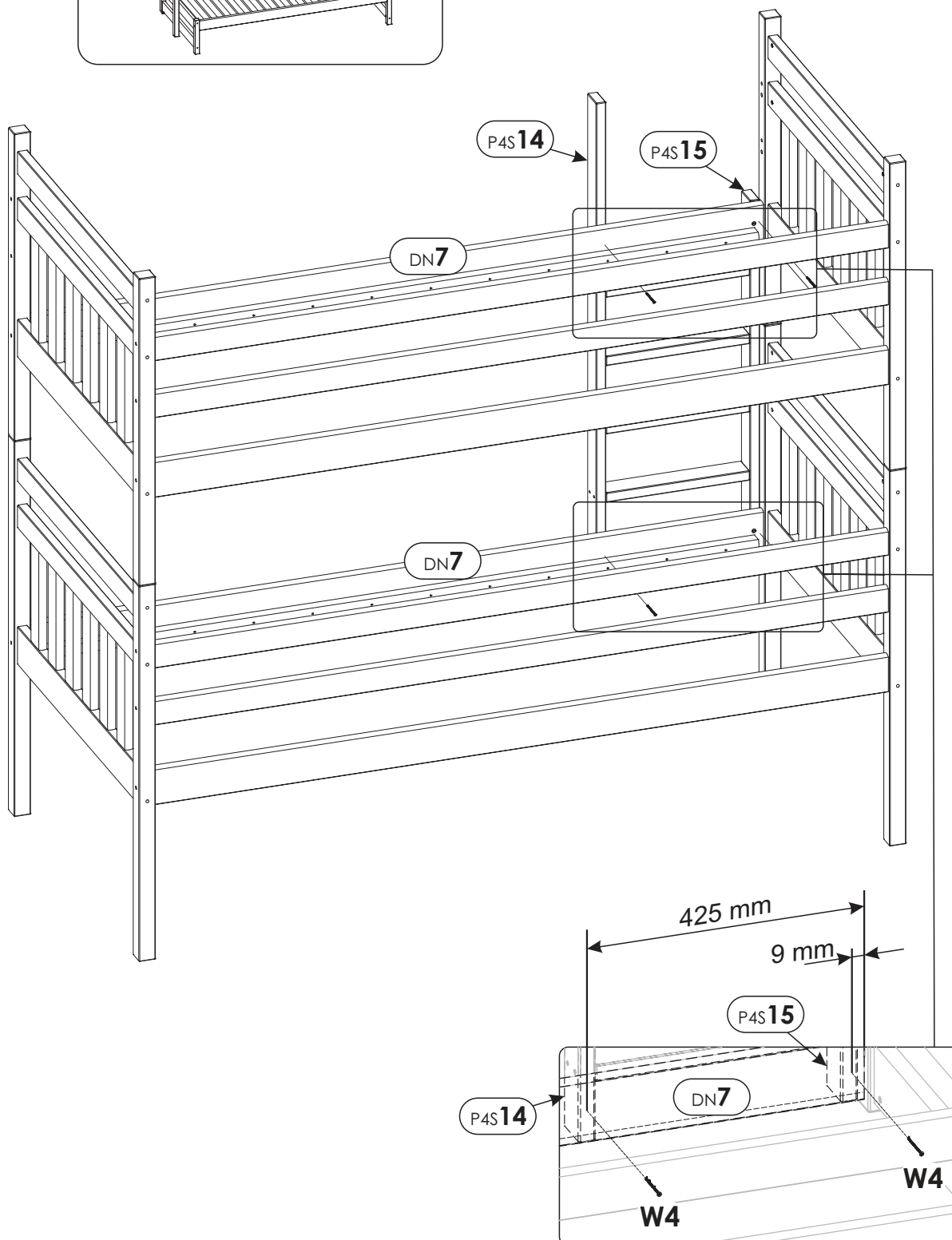
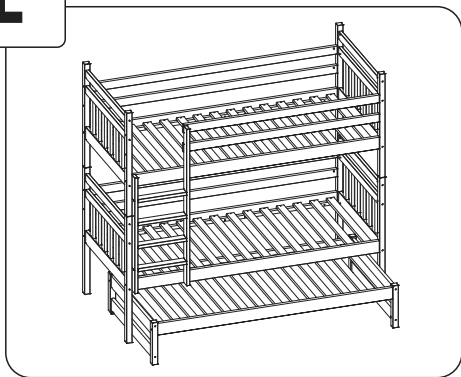
# 22.

# R

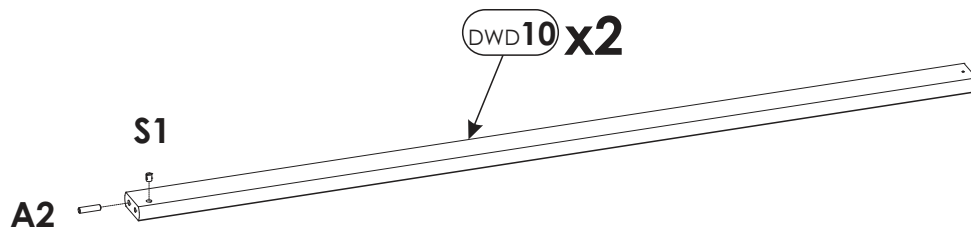


# 23.

# L

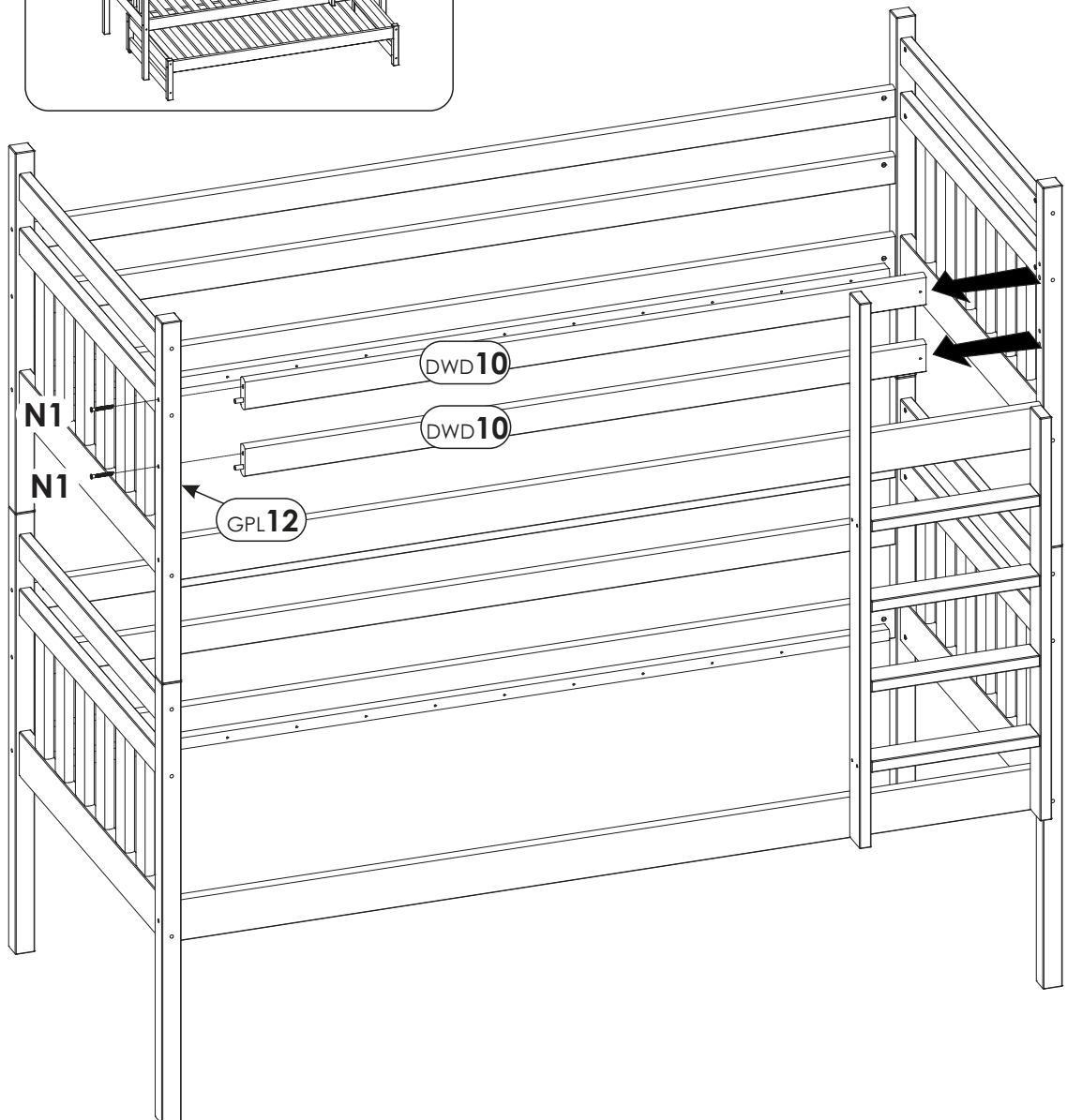
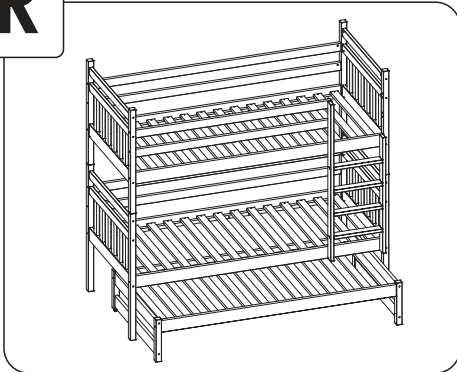


# 24.



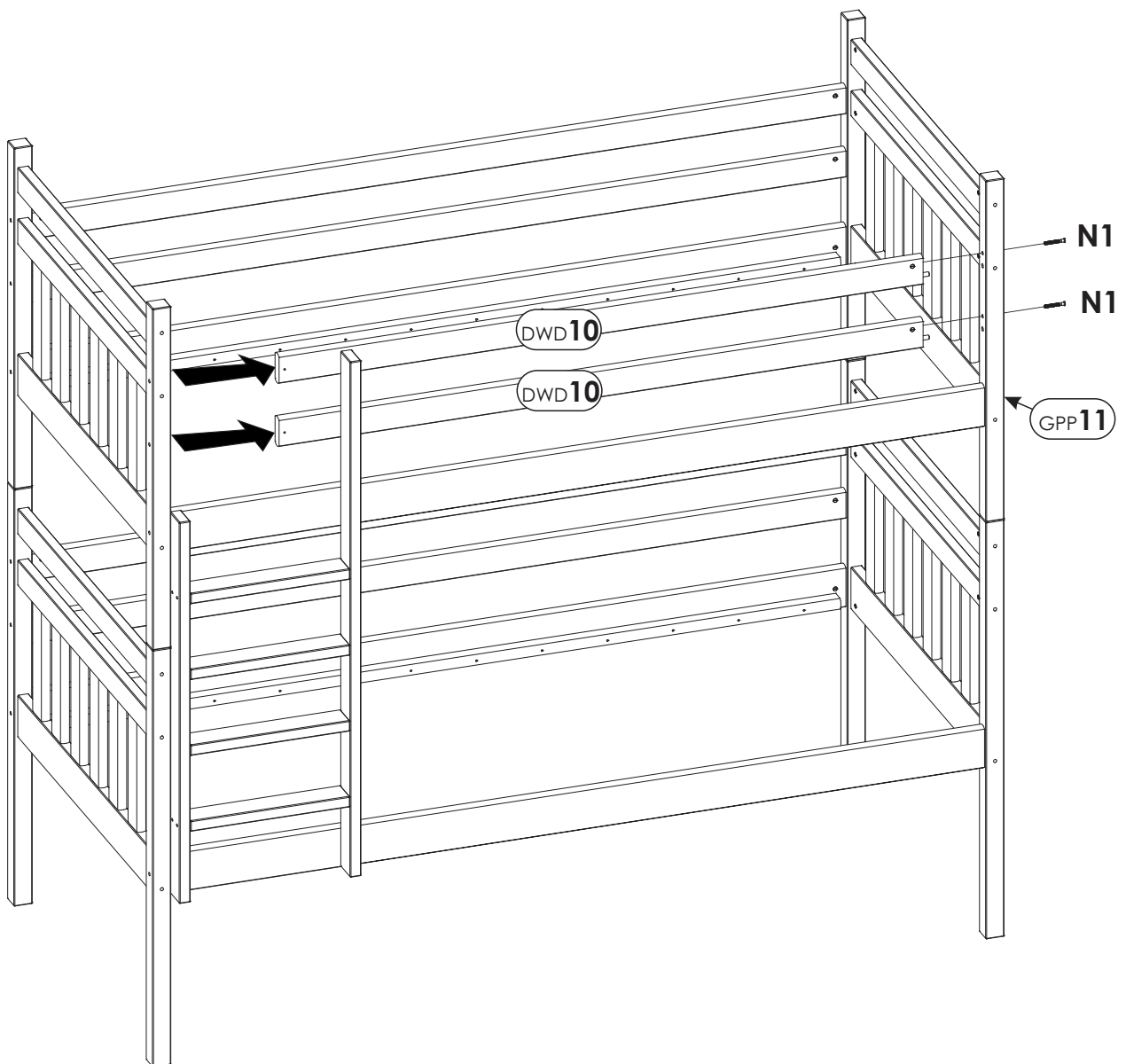
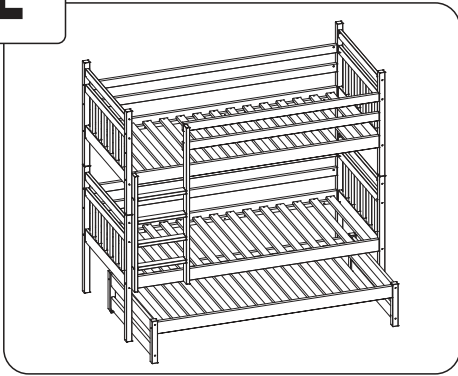
# 25.

**R**



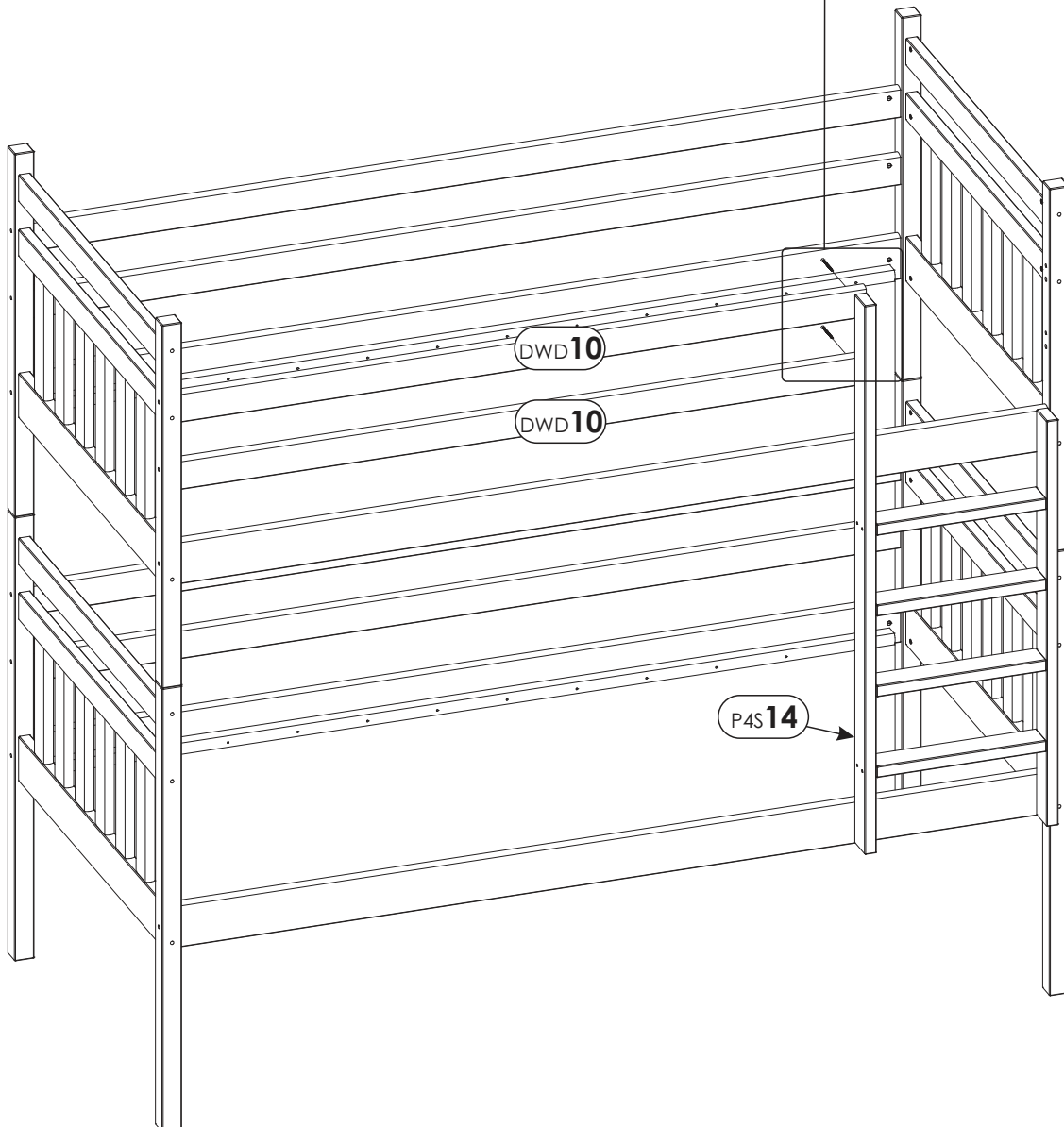
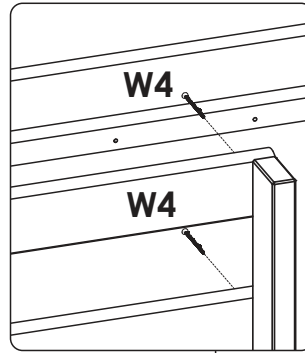
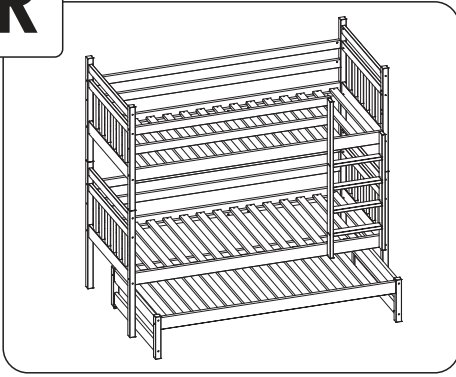
26.

L



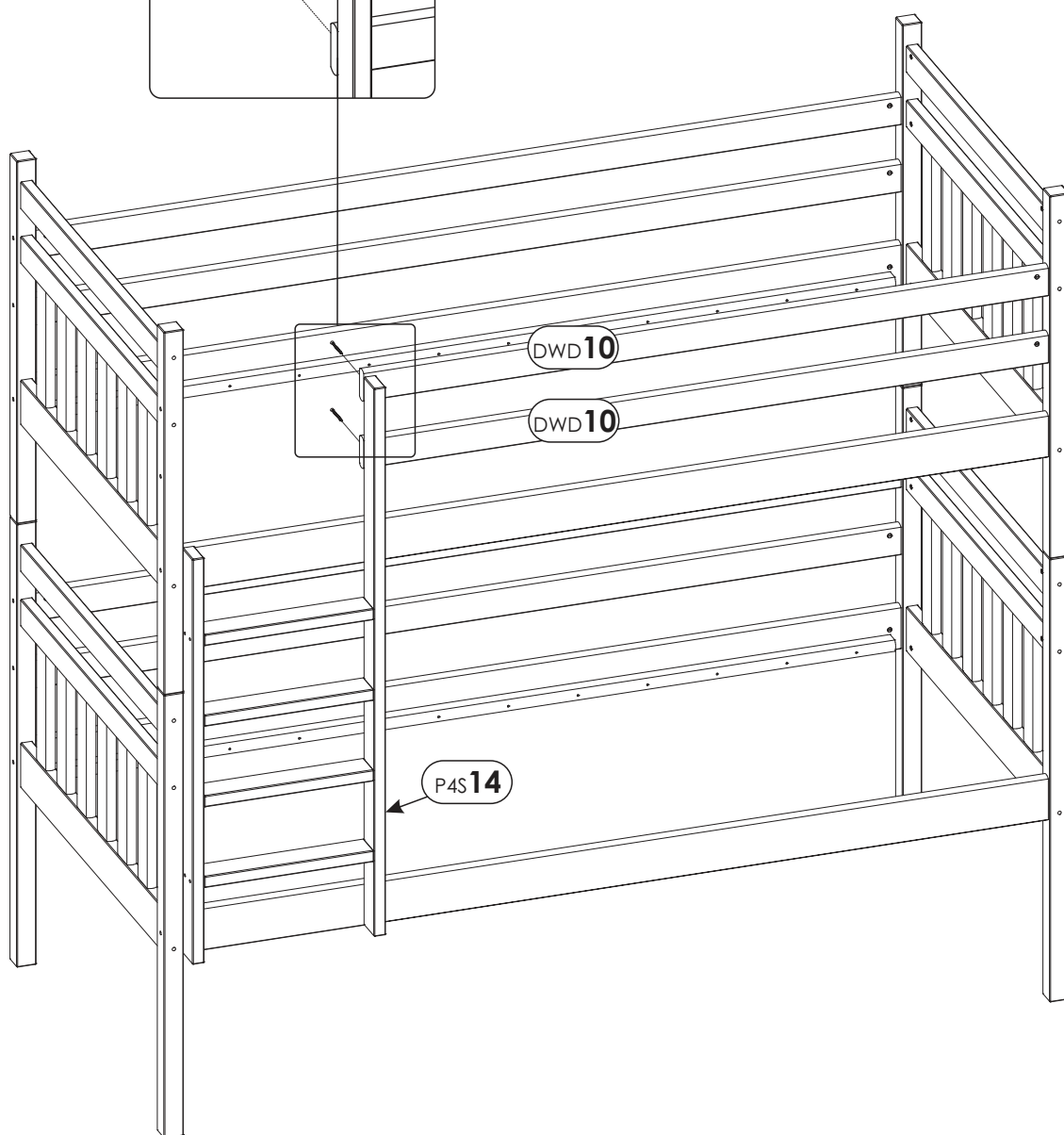
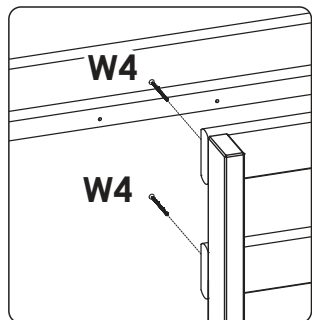
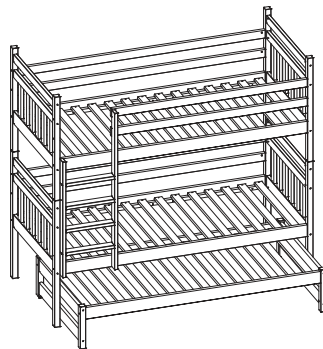
27.

R



28.

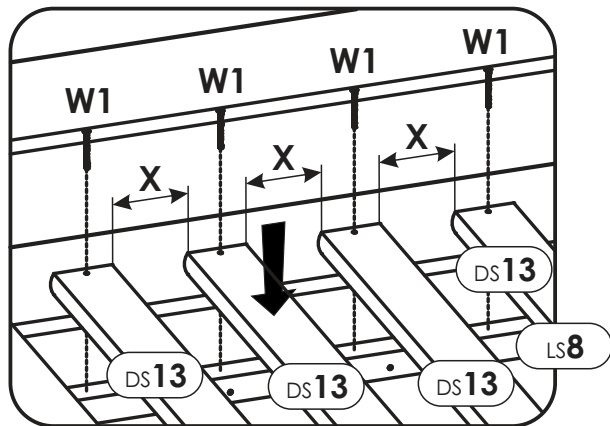
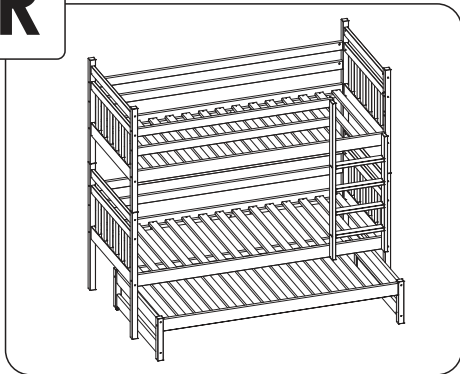
L





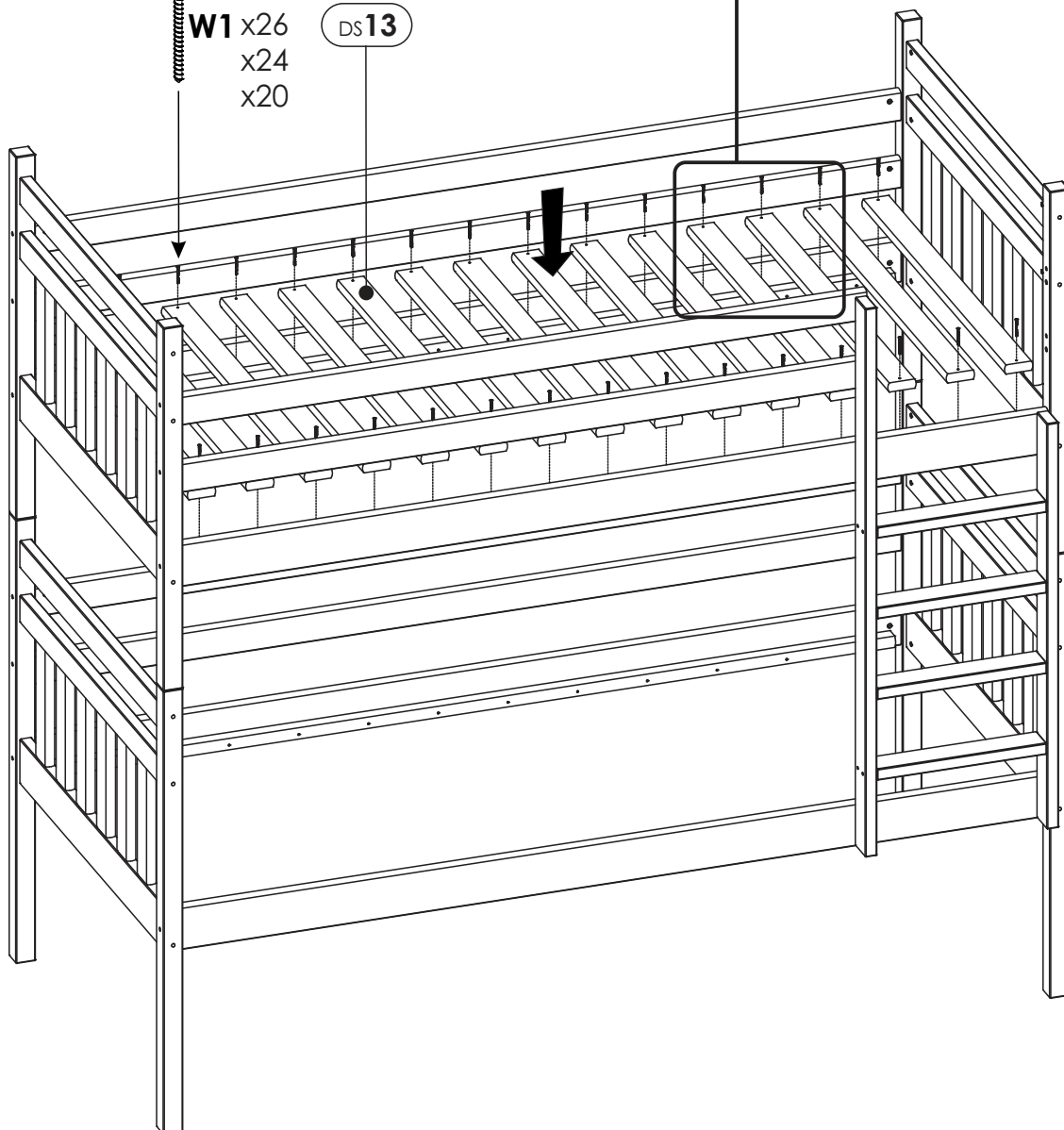
29.

R



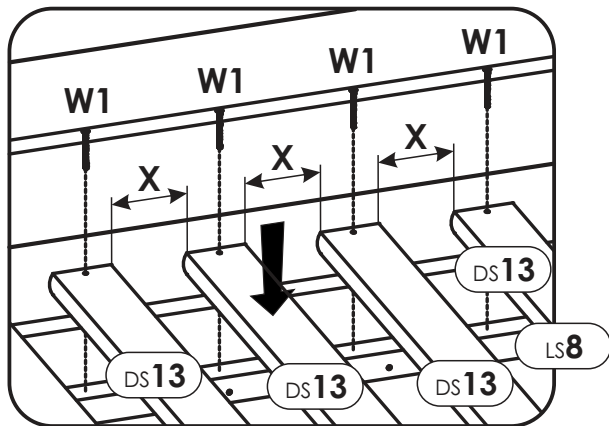
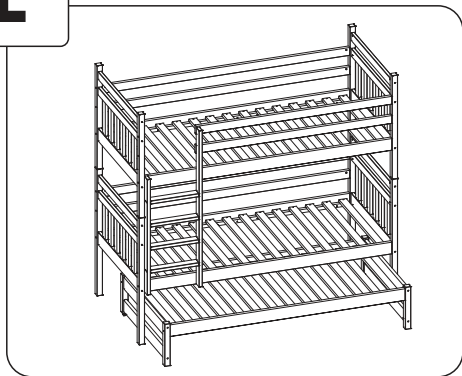
OPTION:

- x30
  - x28
  - W1** x26
  - x24
  - x20
- DS13



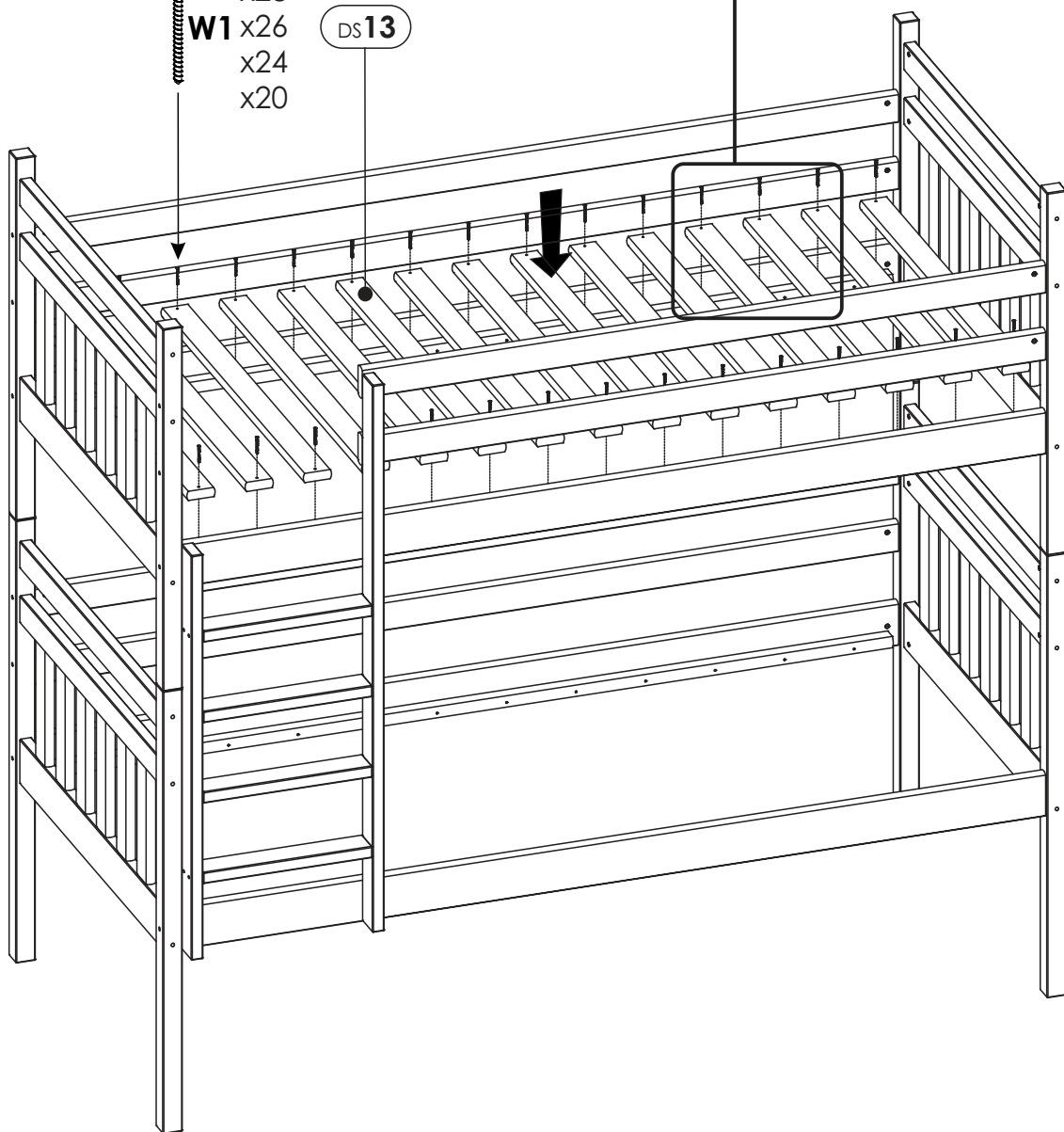
# 30.

# L



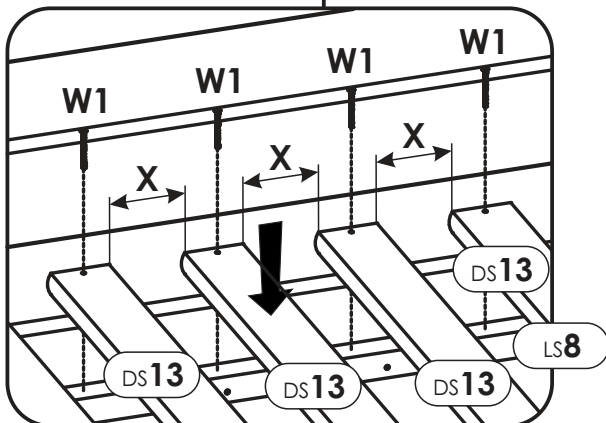
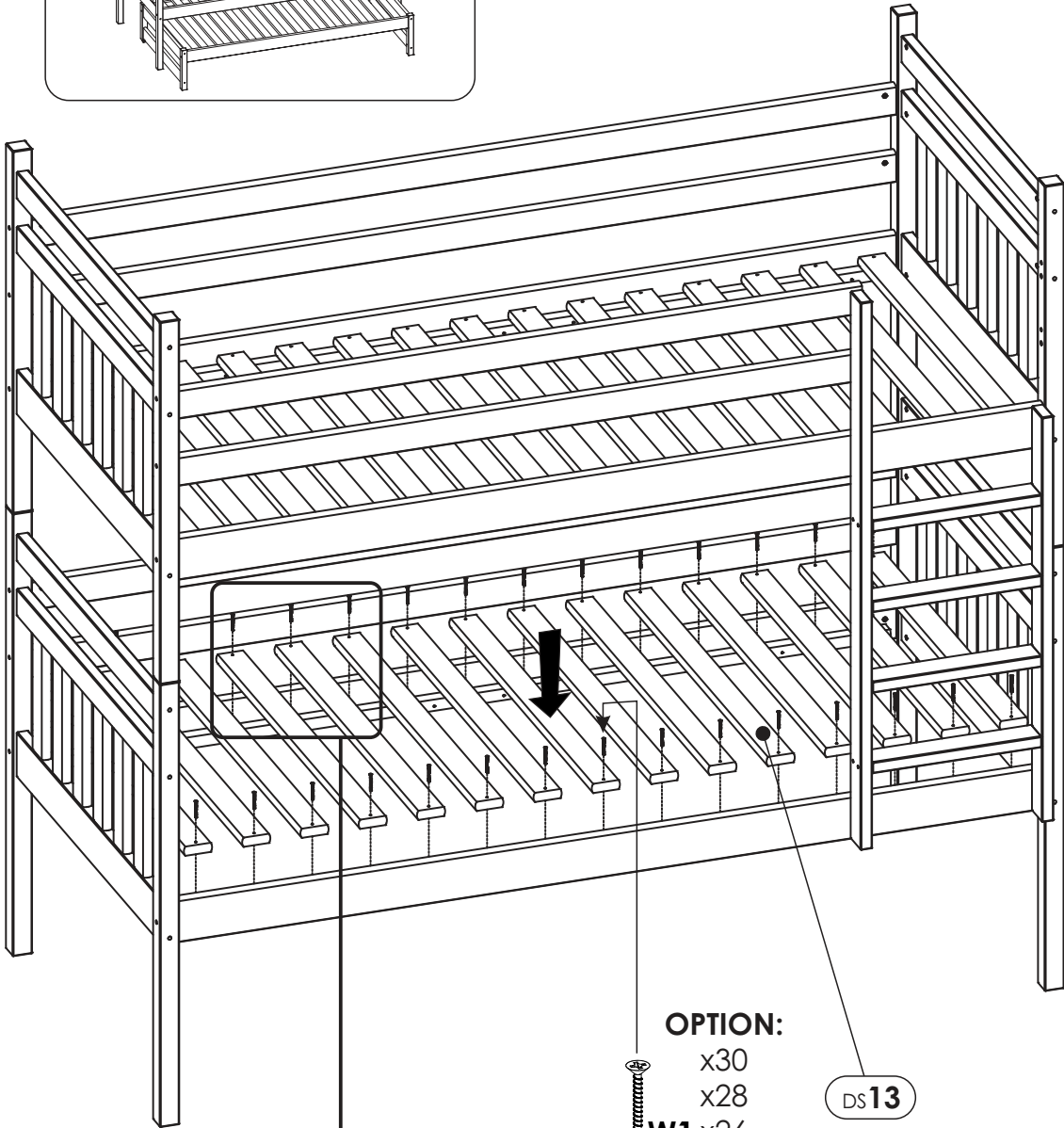
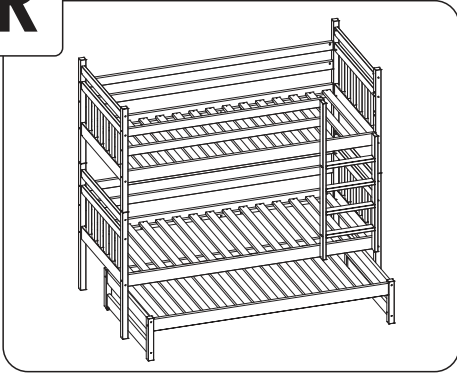
**OPTION:**

- x30
  - x28
  - W1** x26
  - x24
  - x20
- DS13



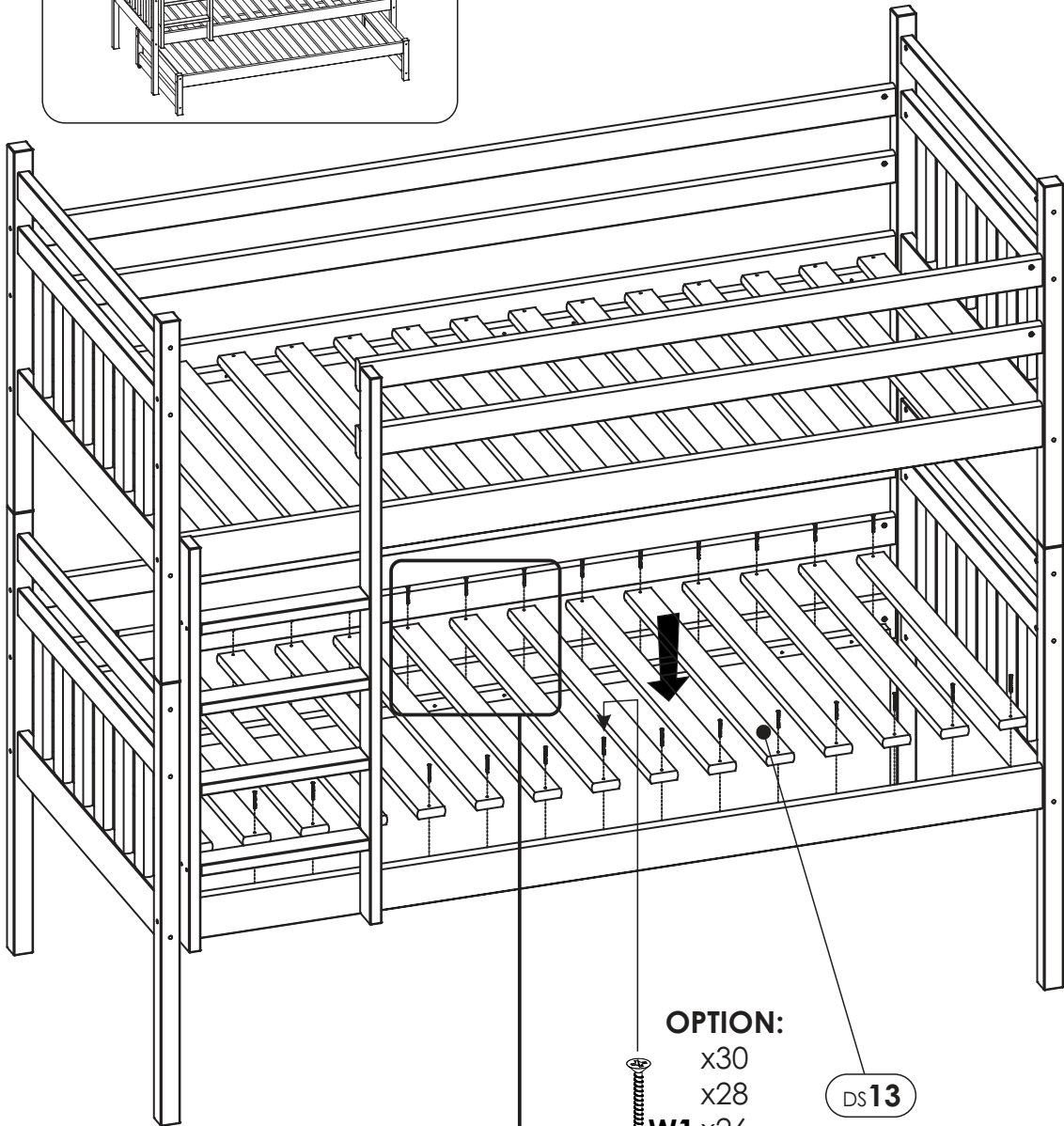
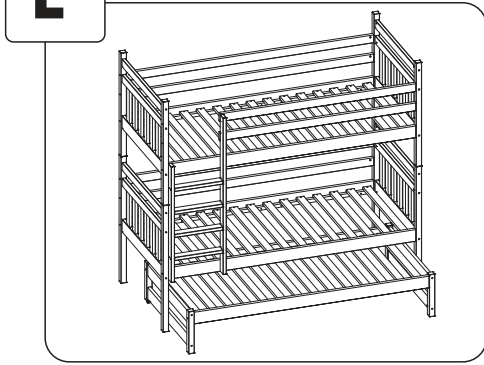
# 31.

## R



# 32.

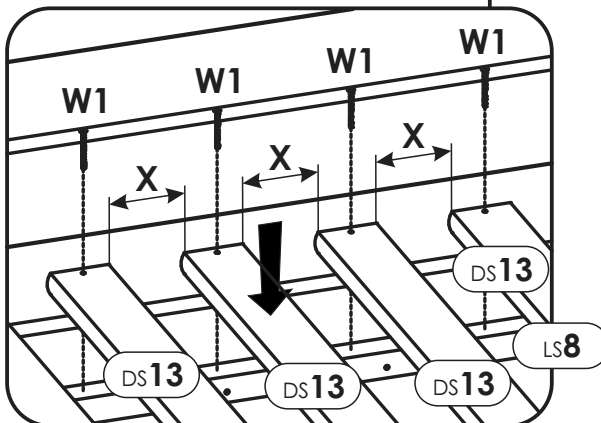
**L**



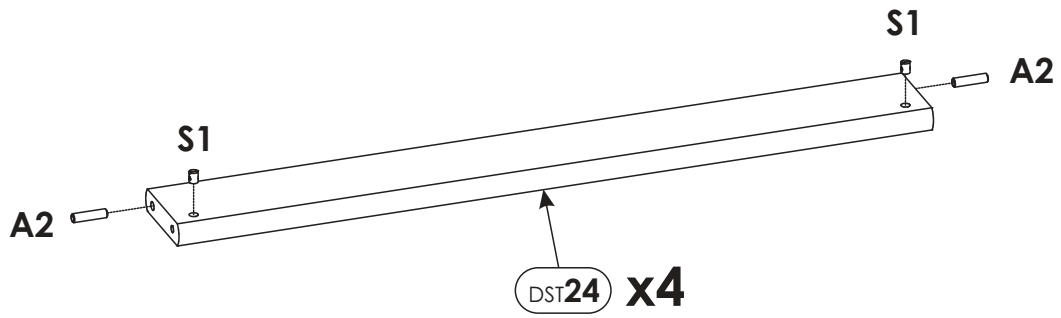
**OPTION:**

- x30
- x28
- W1** x26
- x24
- x20

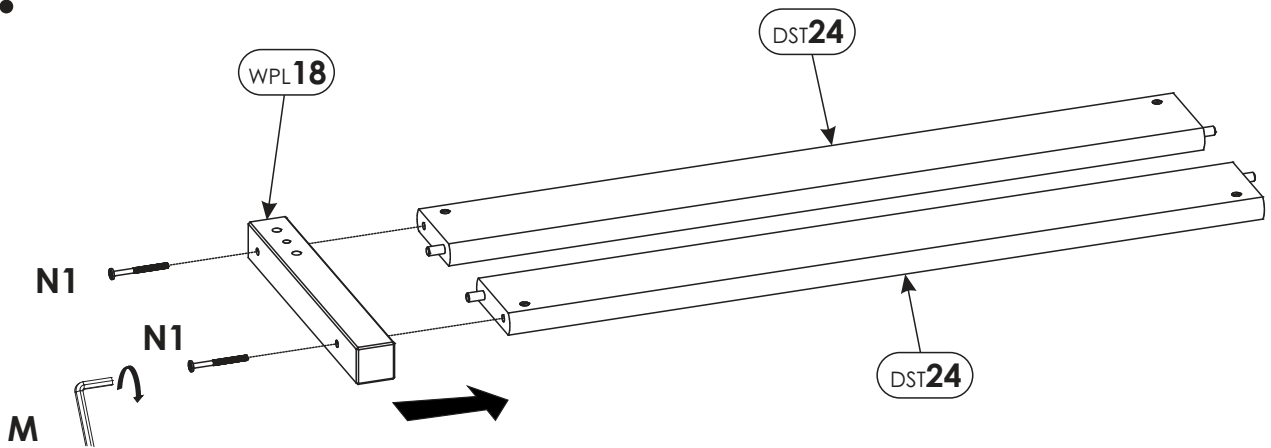
DS13



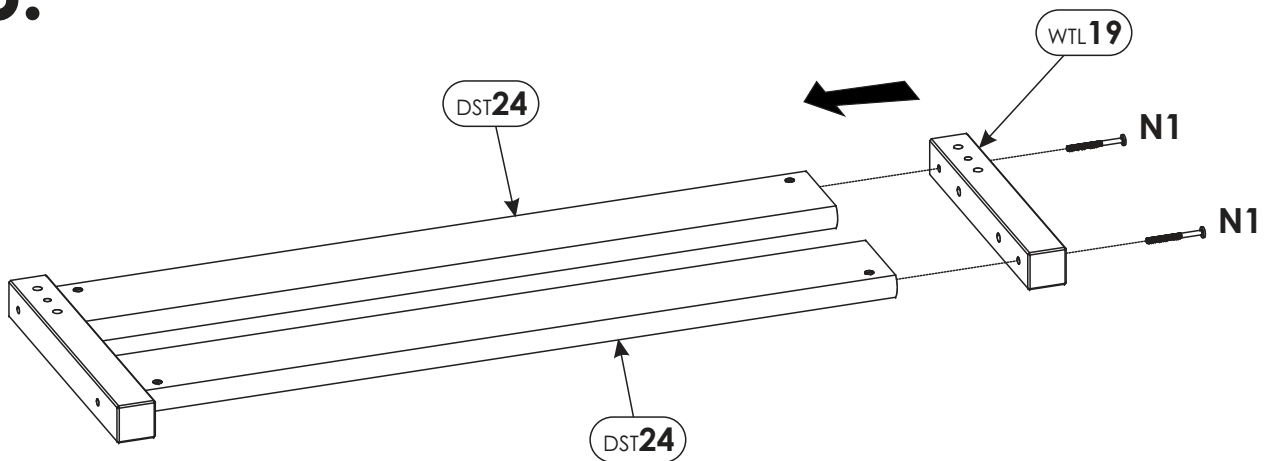
# 33.



# 34.

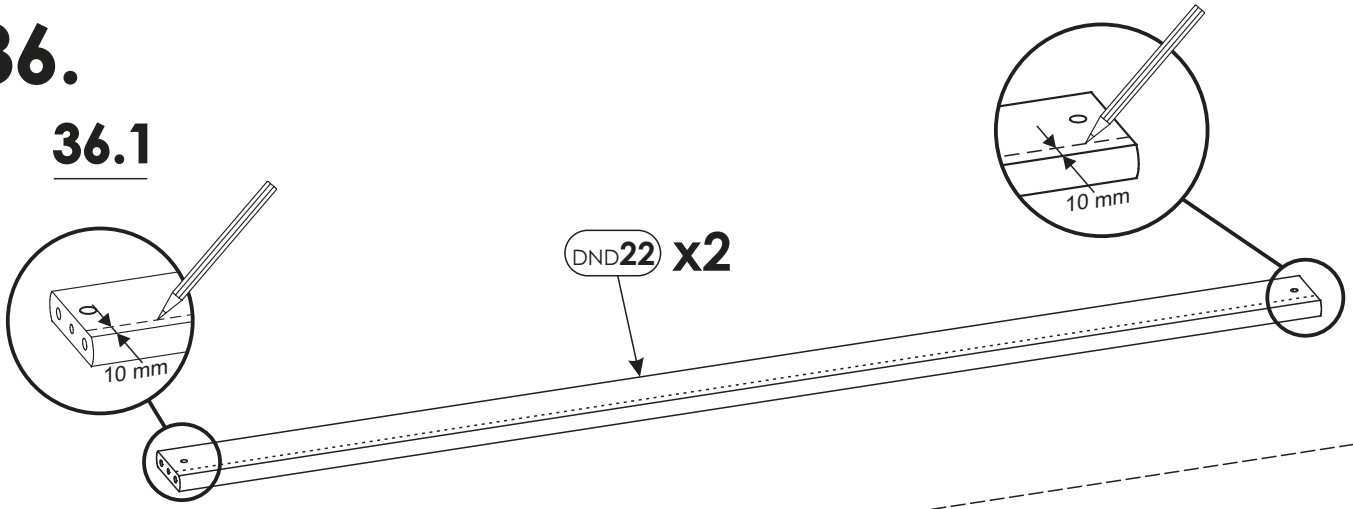


# 35.

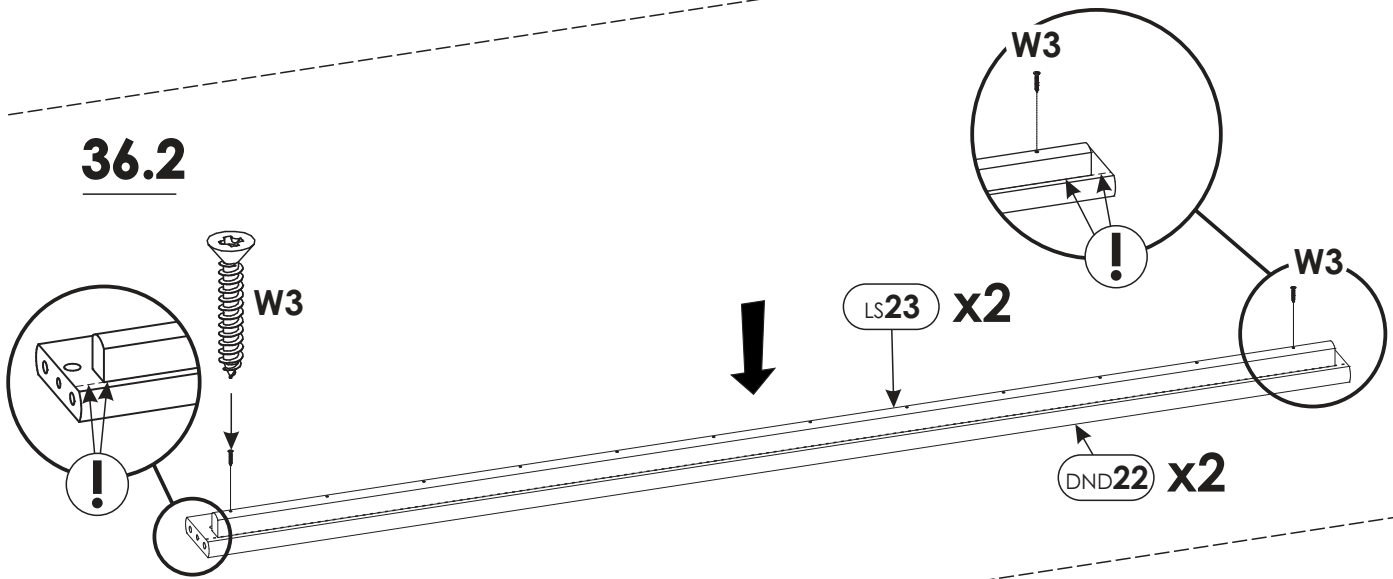


# 36.

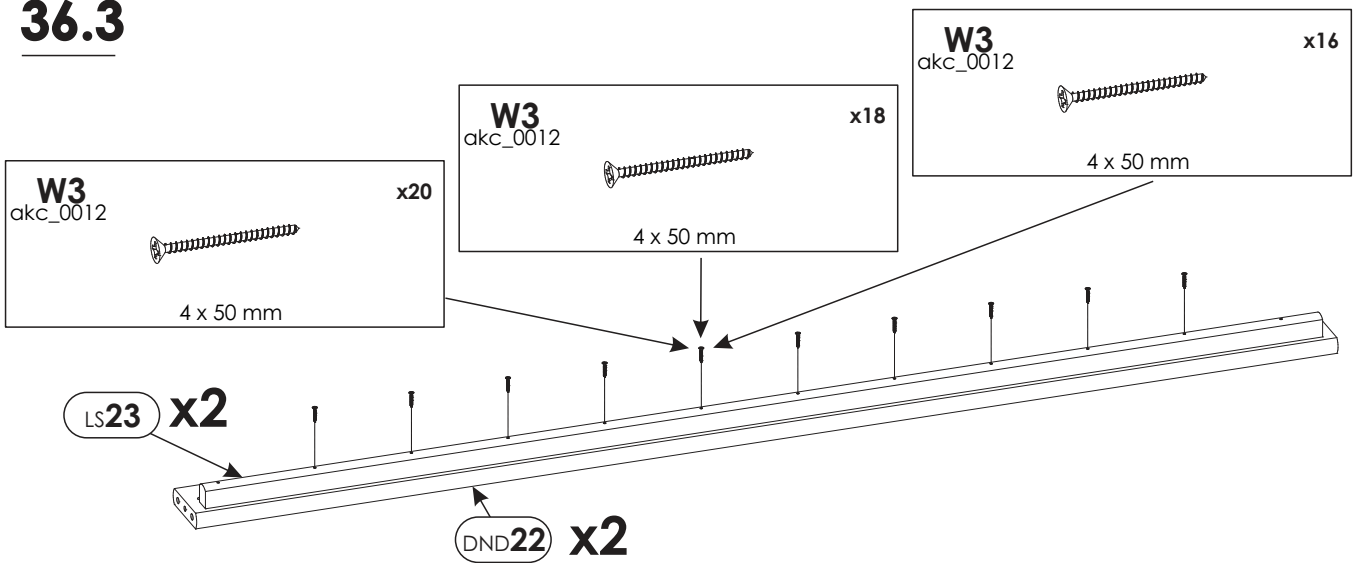
## 36.1



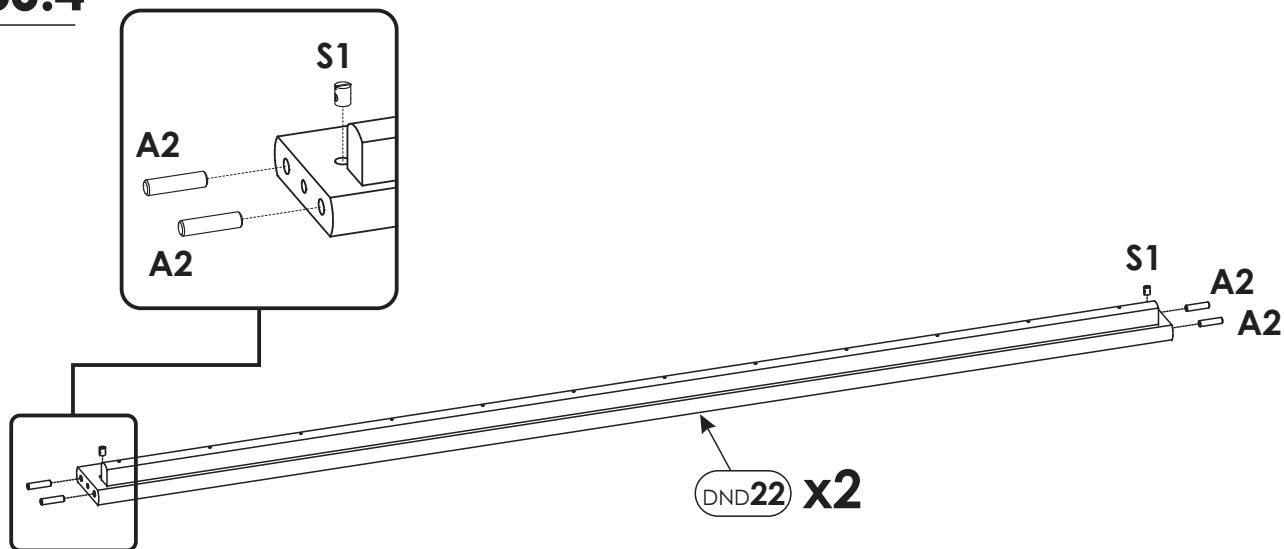
## 36.2



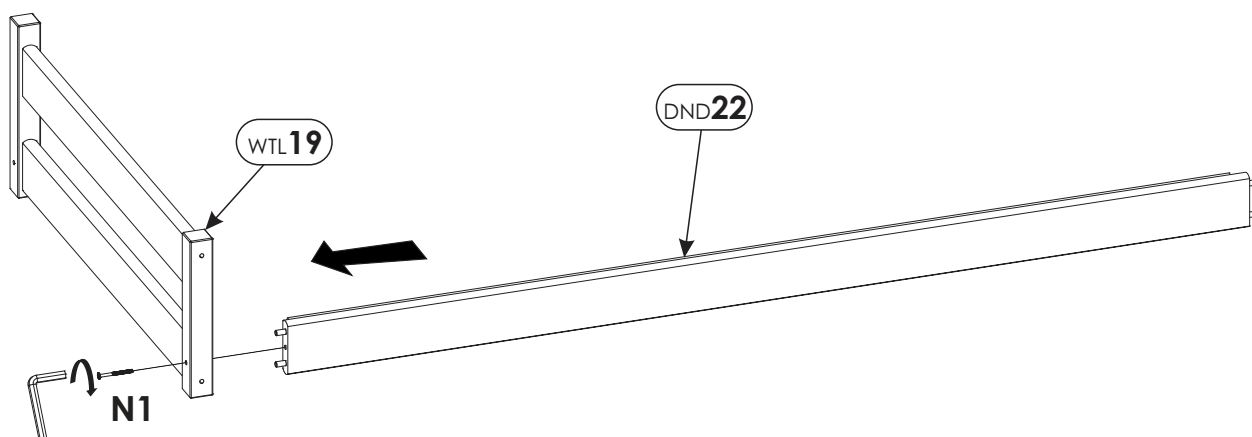
## 36.3



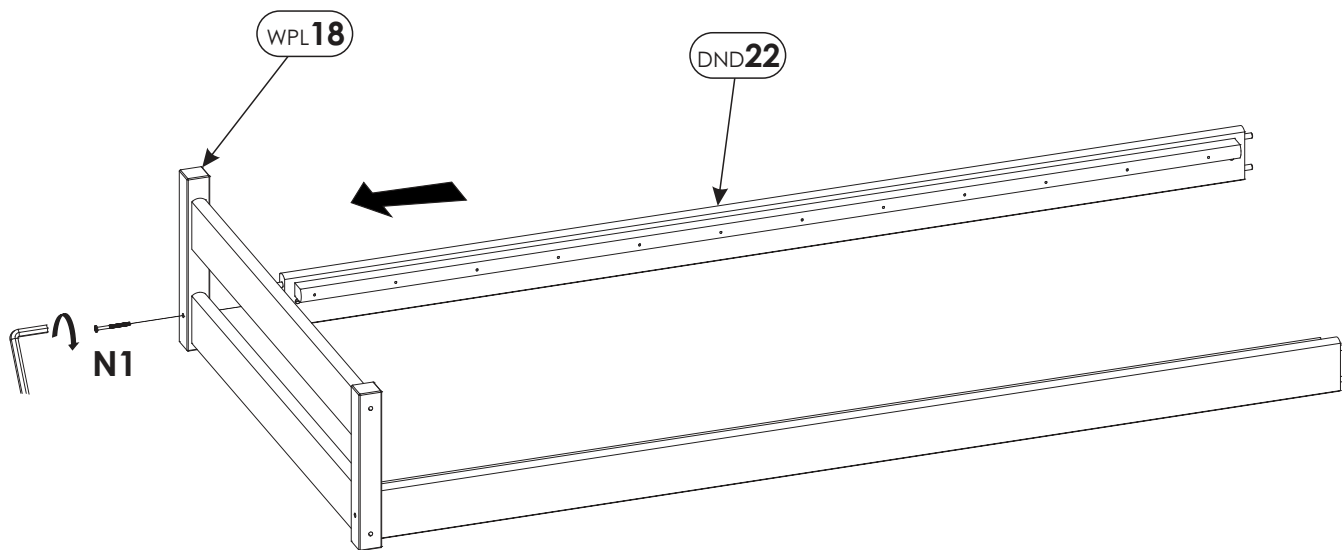
# 36.4



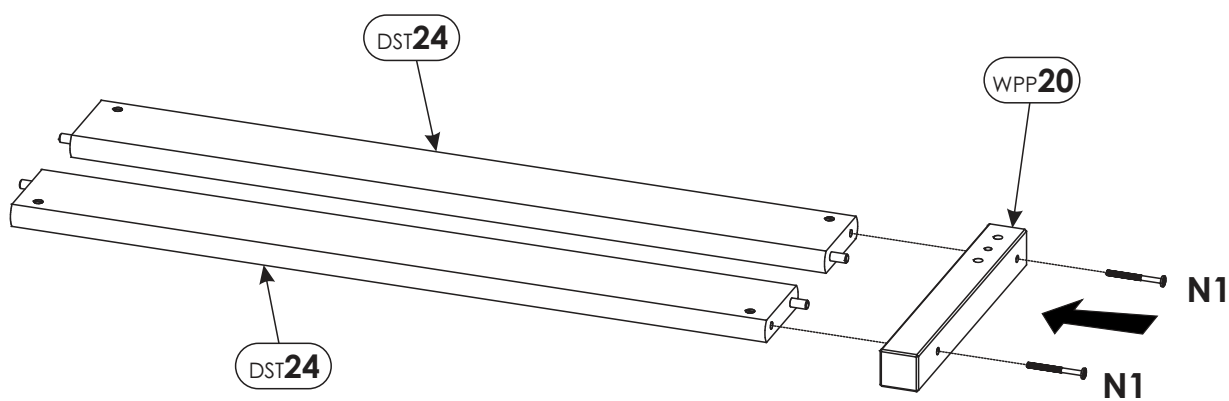
# 37.



# 38.

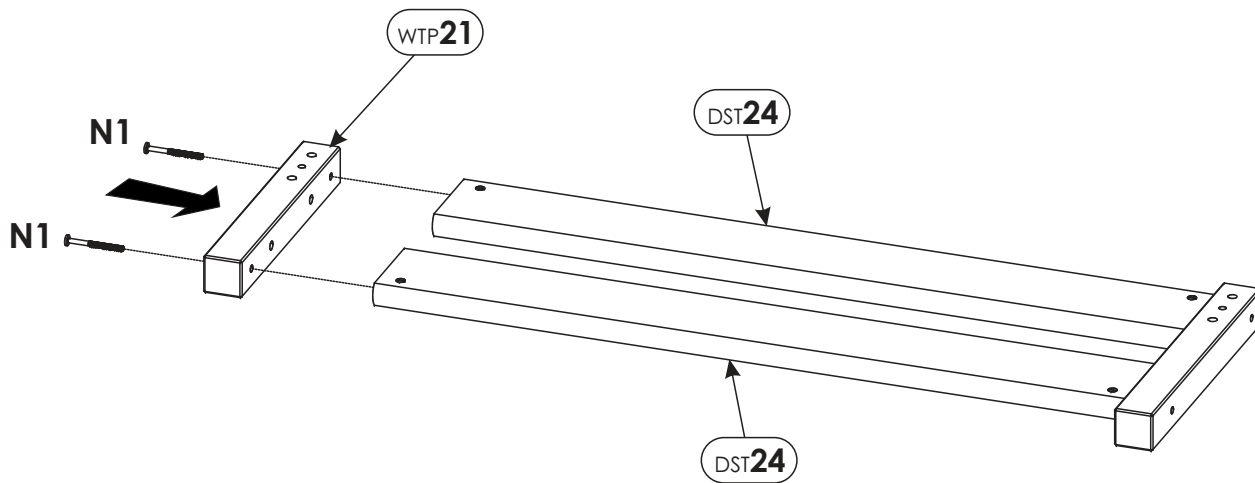


# 39.

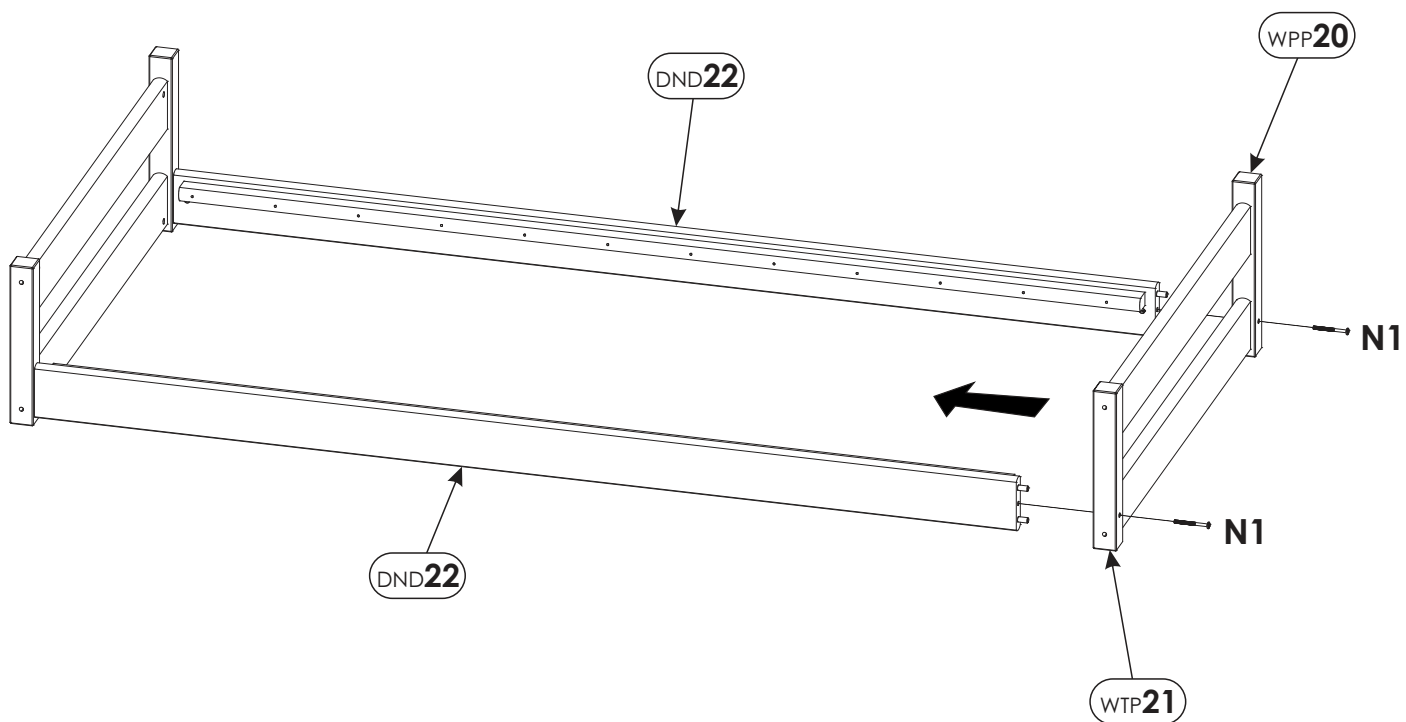




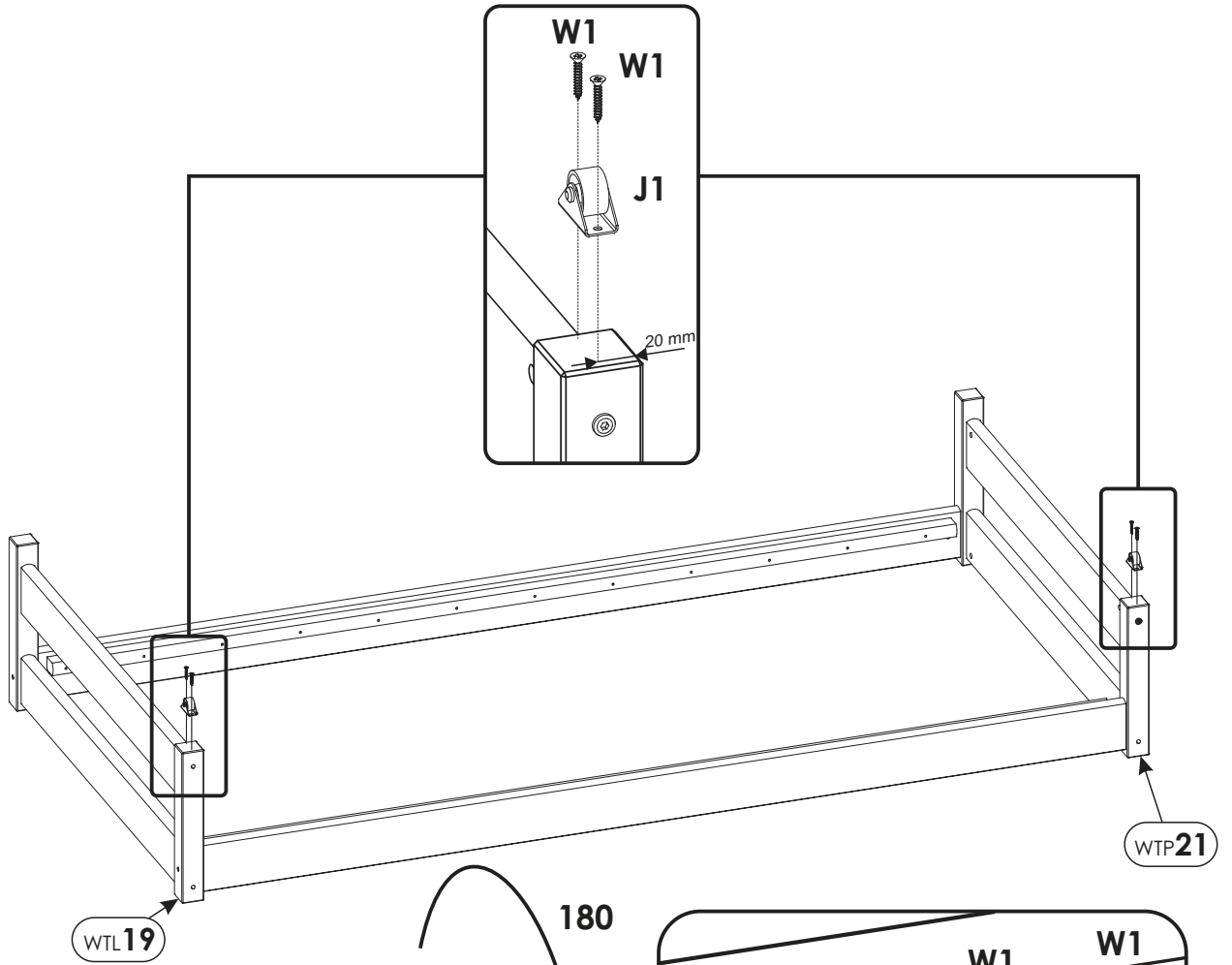
# 40.



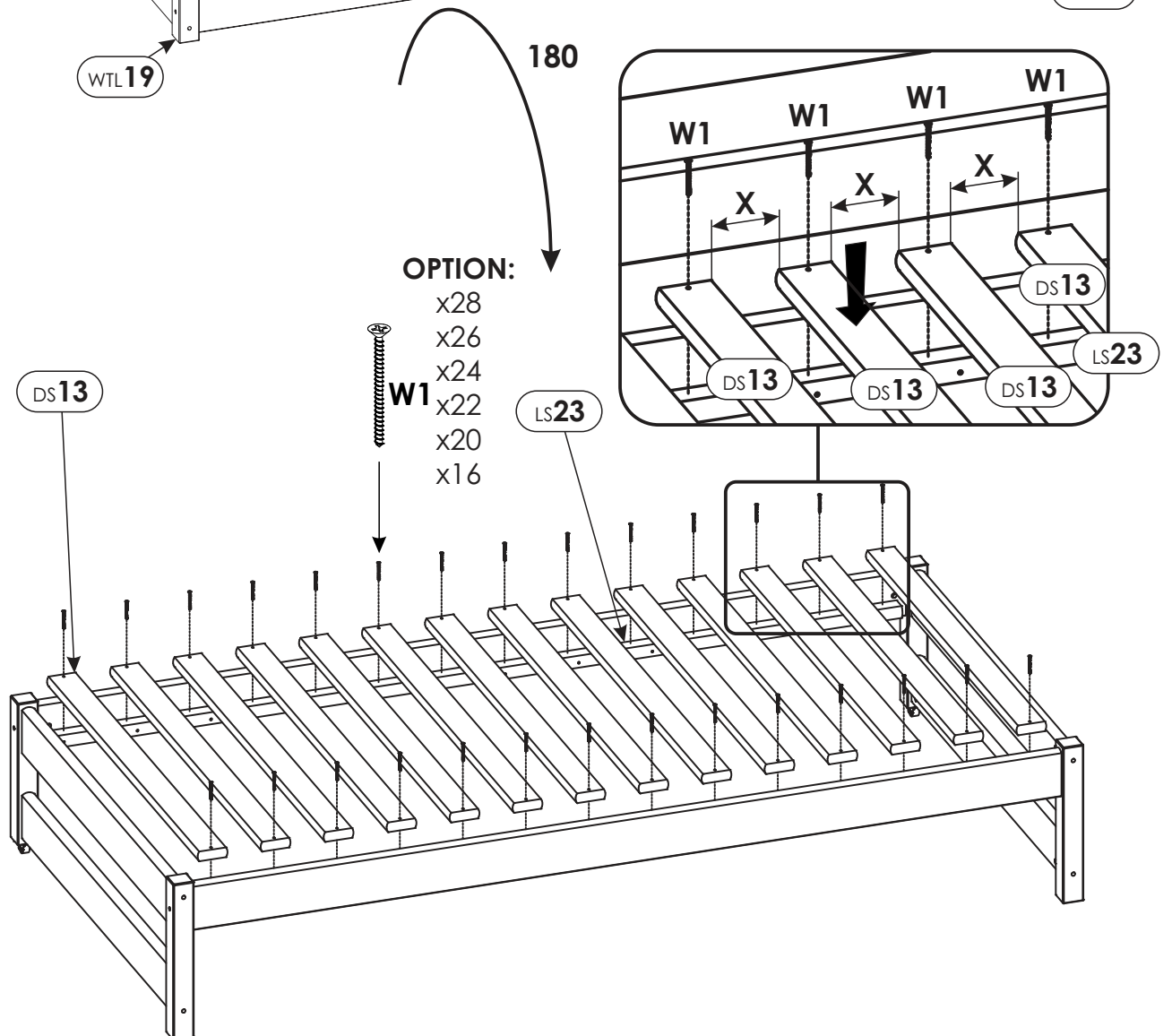
# 41.



# 42.

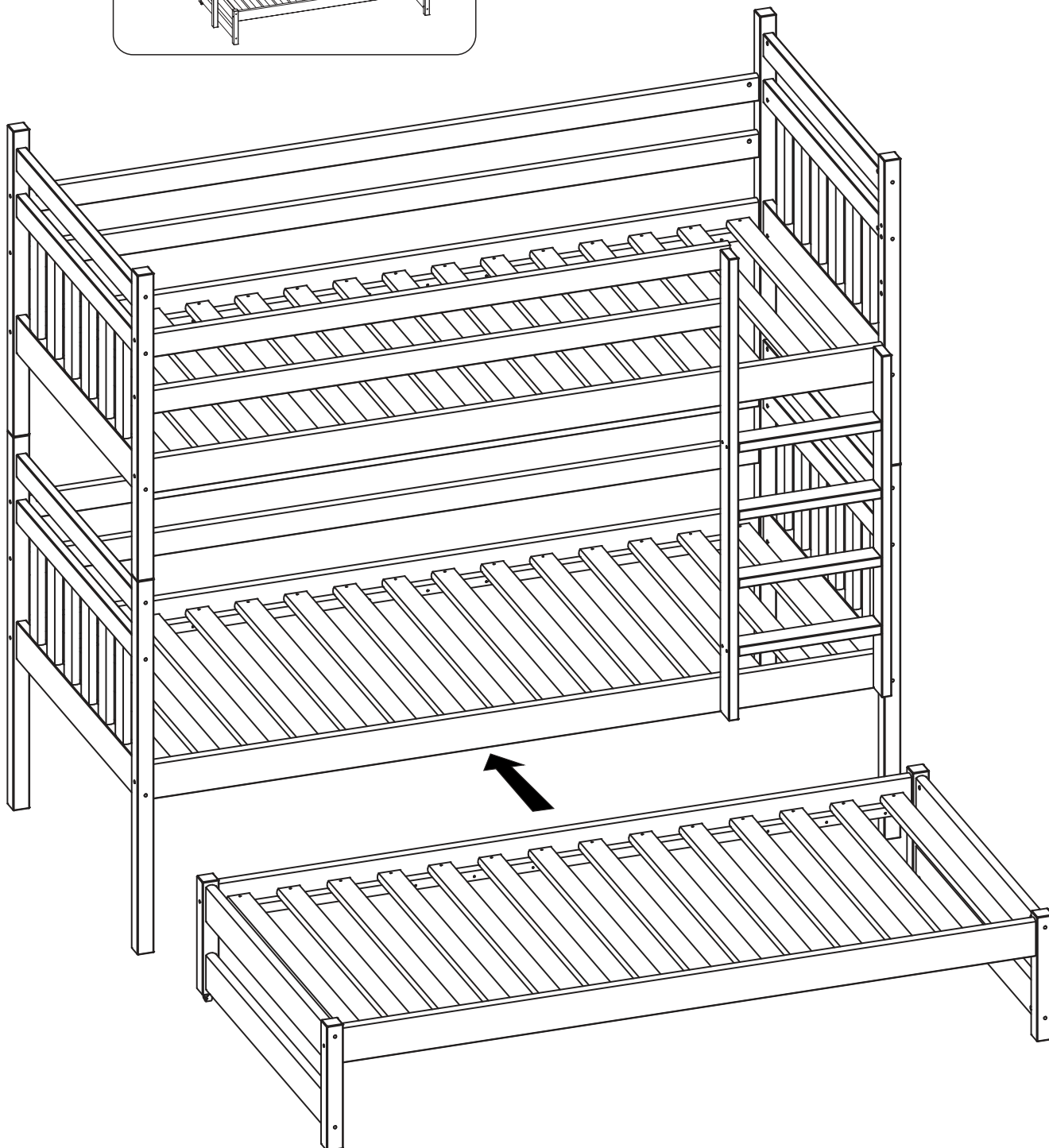
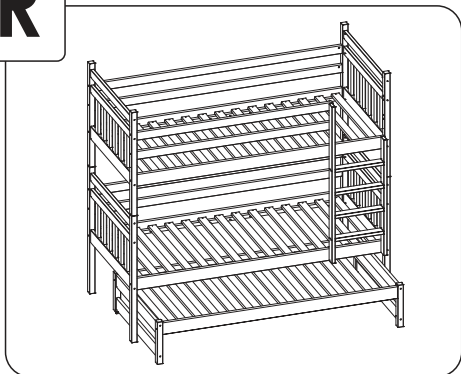


# 43.



44.

R



45.

L

