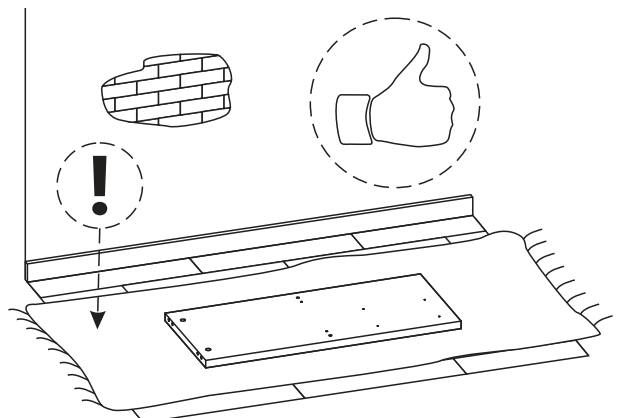
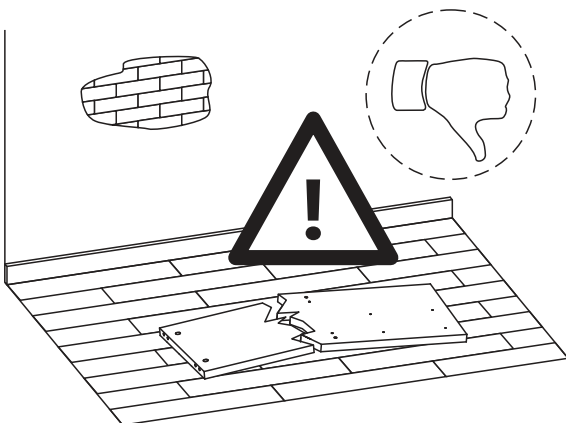
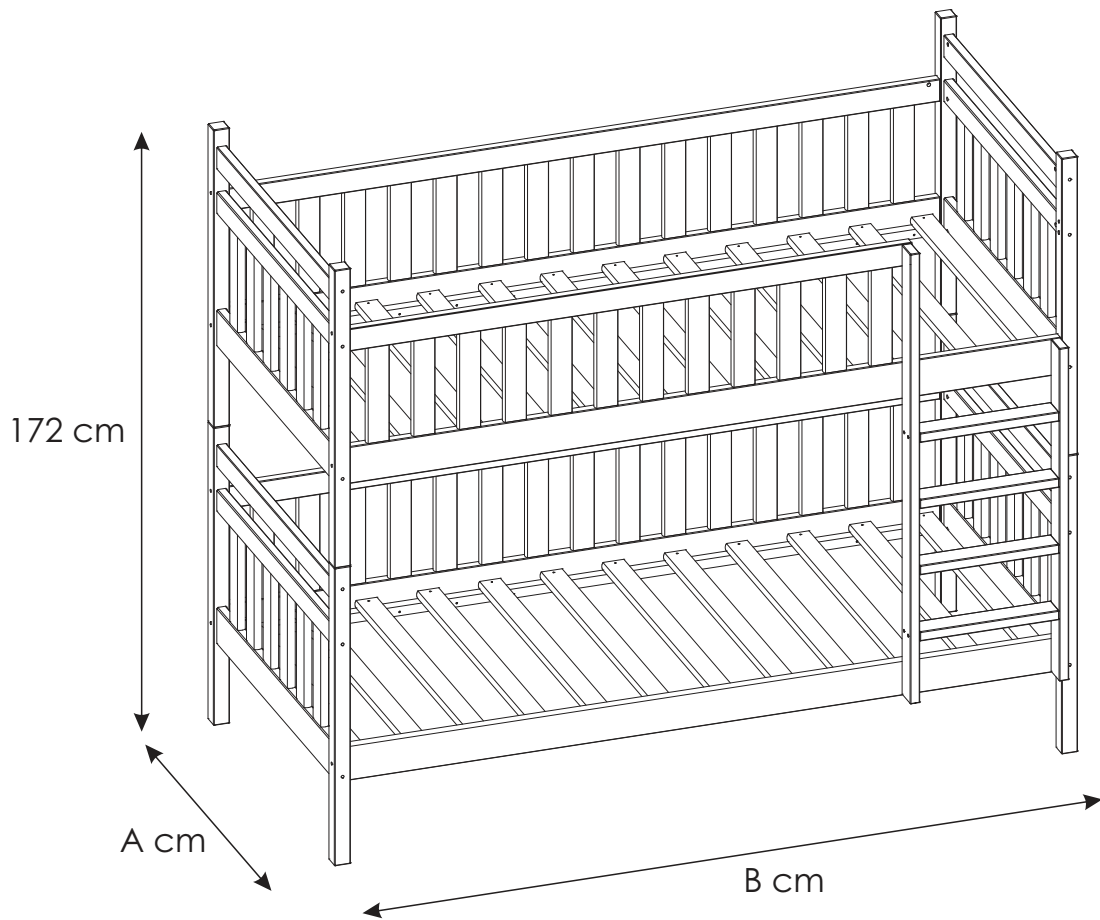
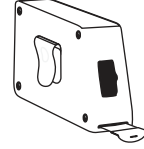
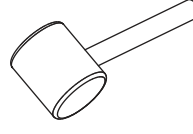
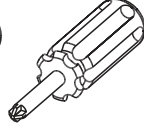
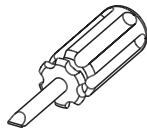
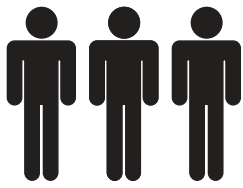
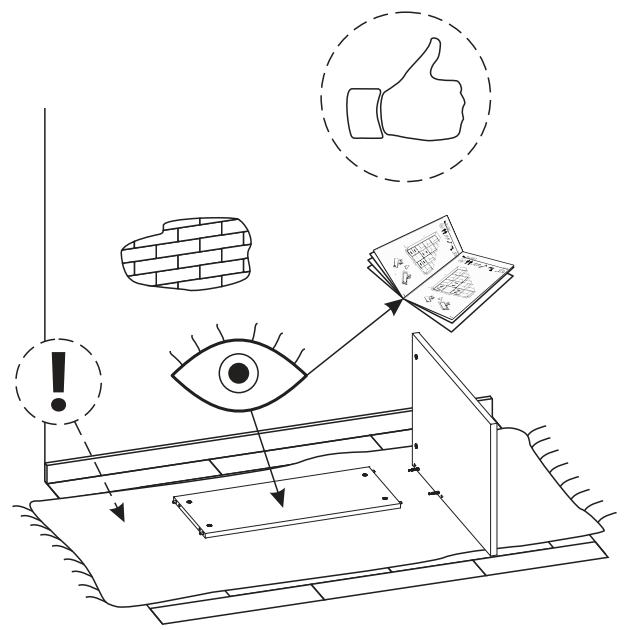
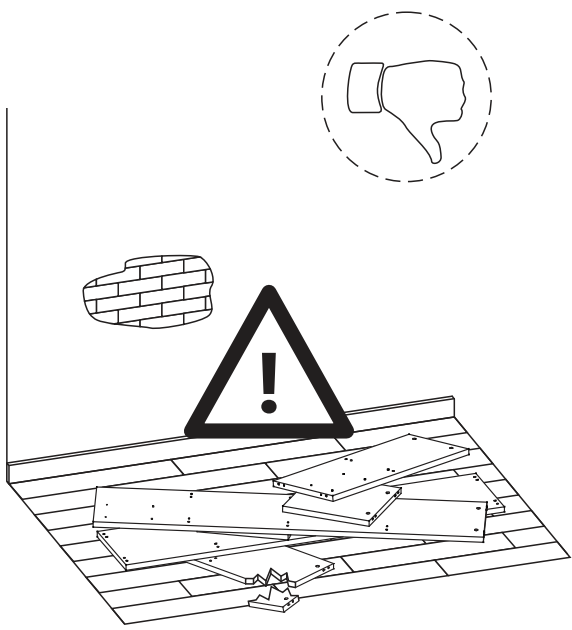
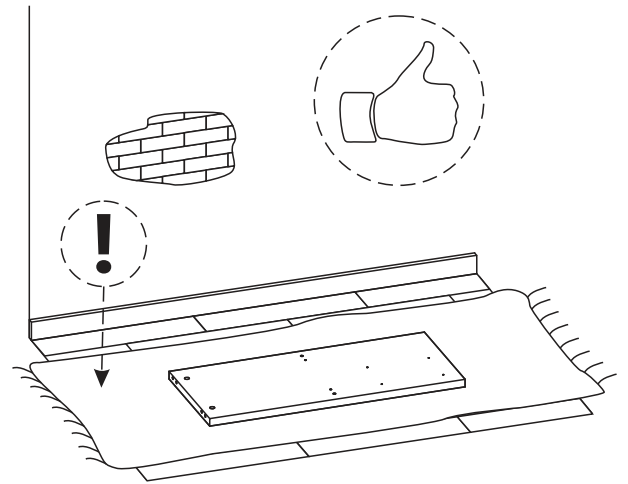
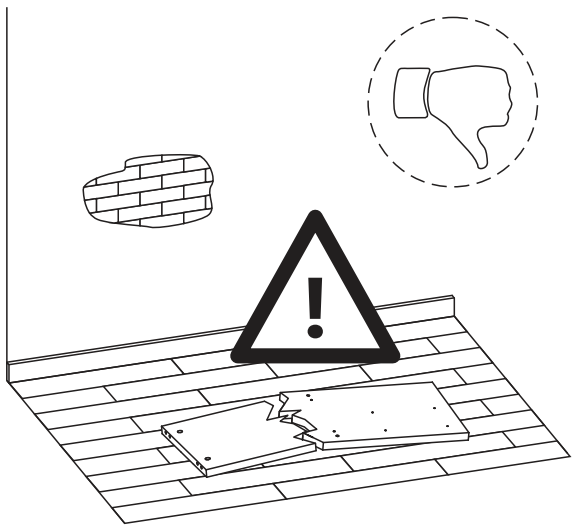
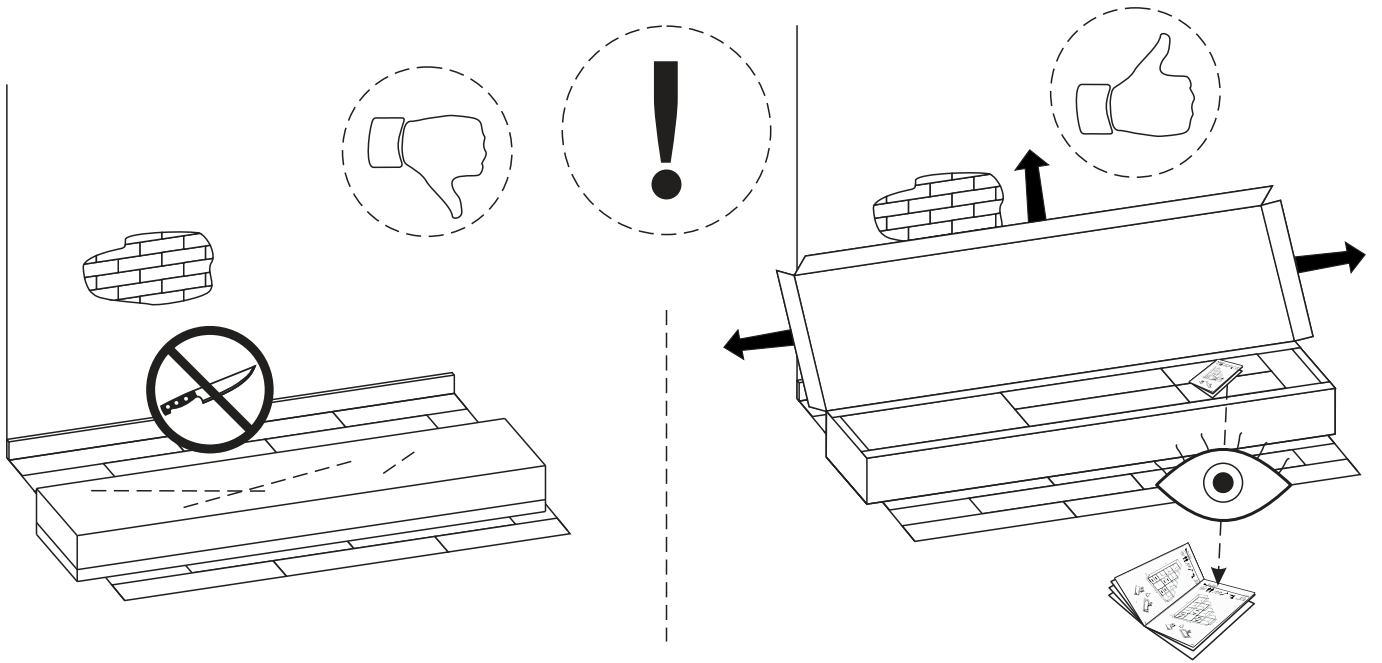
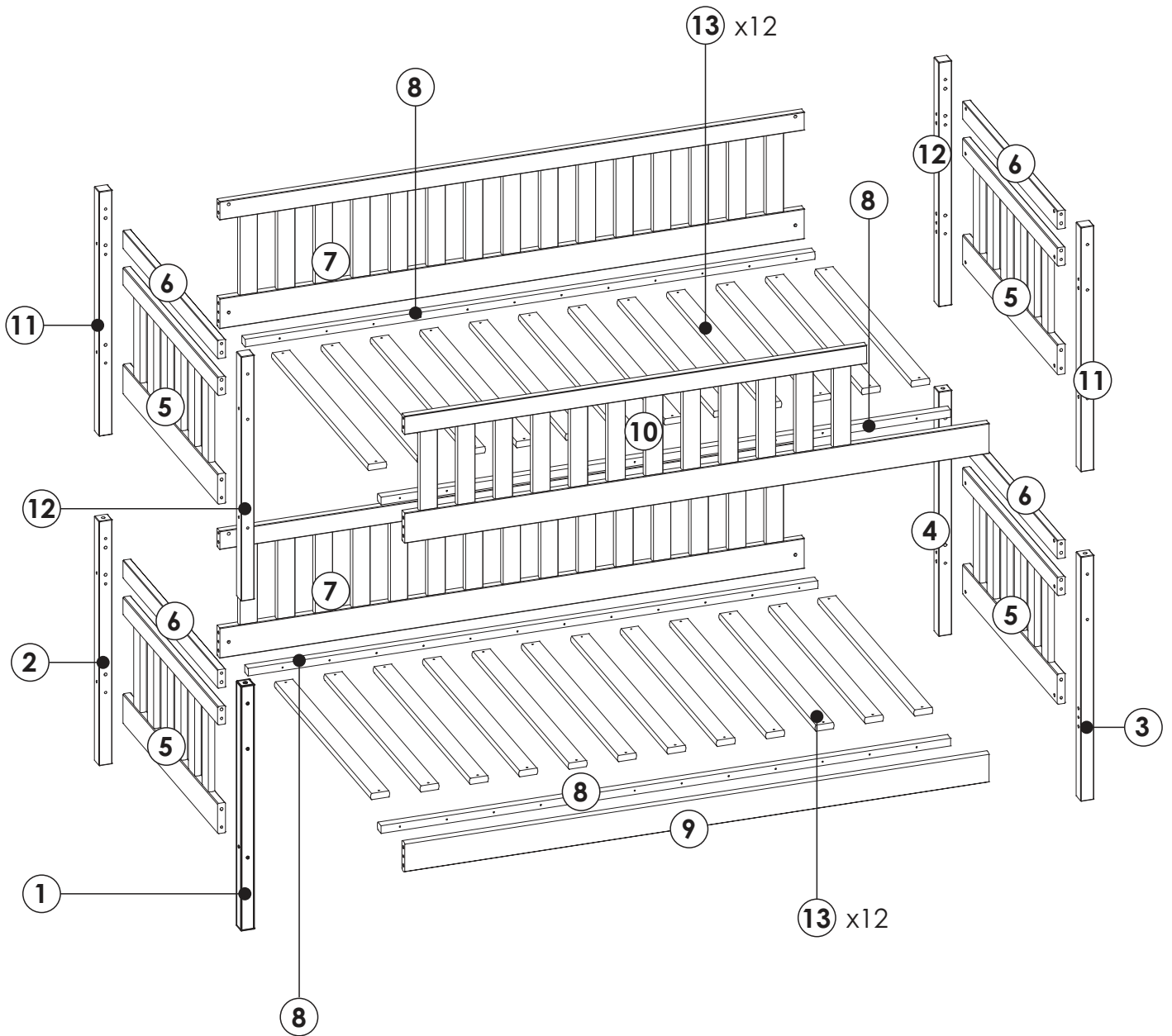
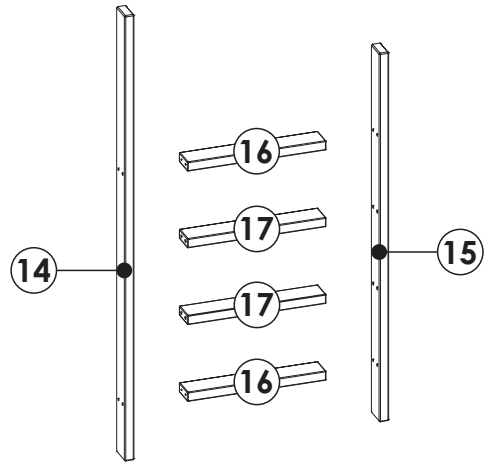


MICHAŚ PROSTY





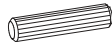
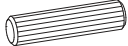
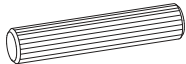


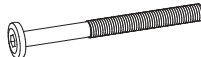



MICHAŚ PROSTY



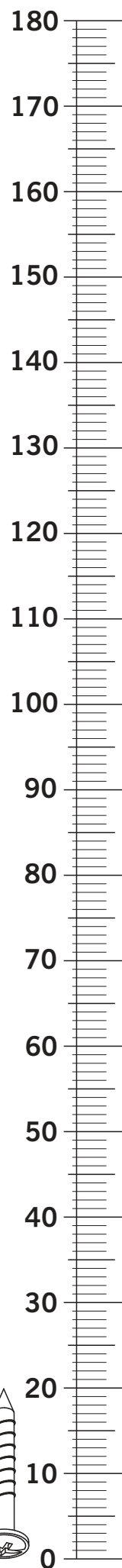
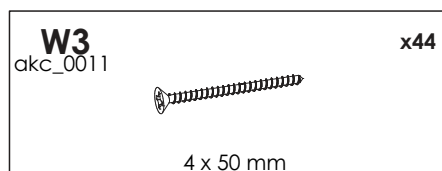
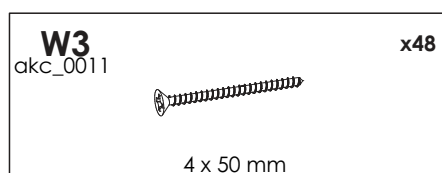
MICHAŚ PROSTY

DPL 1	864	45	45	x1	MNDPL_00731
DTL 2	864	45	45	x1	MNDTL_00690
DPP 3	864	45	45	x1	MNDPP_00741
DTP 4	864	45	45	x1	MNDTP_00710
PBP 5	685, 785, 885	491	27	x4	PS_00470 DP_00480 DB_00610
DP 6	685, 785, 885	107	27	x4	DB_00600
PDT 7	1390, 1590, 1690, 1790, 1890, 1990	449	27	x2	PS_00470 DPDC_00670 DPDC_00680
LS 8	1340, 1540, 1640, 1740, 1840, 1940	35	27	x4	LS_00160
DN 9	1390, 1590, 1690, 1790, 1890, 1990	107	27	x1	DN_00110
PDP 10	1390, 1590, 1690, 1790, 1890, 1990	449	27	x1	PS_00470 DPDD_00640 DPDC_00660
GTL 11	864	45	45	x2	MNGTL_00700
GTP 12	864	45	45	x2	MNGTP_00720
DS 13	700, 800, 900	65	22	x24	DS_00170
P4S 14	1305	65	27	x1	DDP4S_00630
P4S 15	965	65	27	x1	DDP4S_00620
DSS 16	390	65	27	x2	DSS_00210
DSK 17	390	65	27	x2	DSK_00220

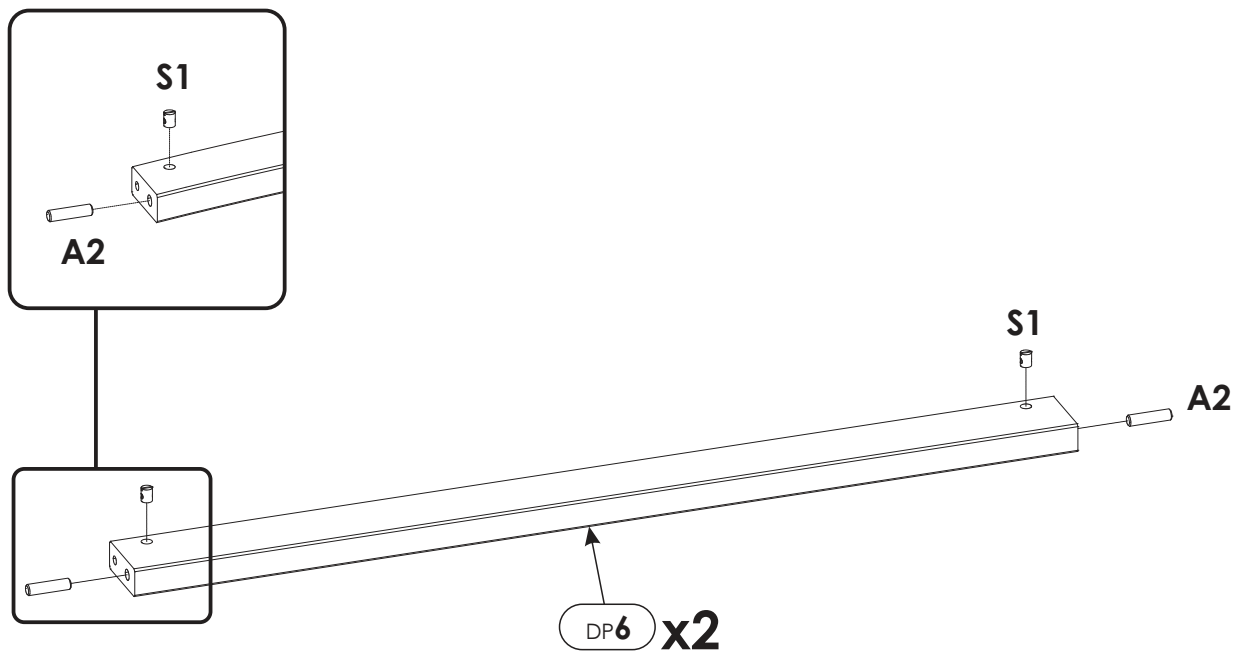
MICHAŚ PROSTY

A1 akc_0001  8 x 35 mm x8	A2 akc_0002  10 x 40 mm x45	A3 akc_0003  12 x 60 mm x4
K1 akc_0004  6,4 x 50 mm x8	M akc_0005  x1	N1 akc_0006  6 x 80 mm x37
S1 akc_0008  10 x 16 mm x37	W1 akc_0009  3,5 x 40 mm x48	W4 akc_0012  4 x 60 mm x5

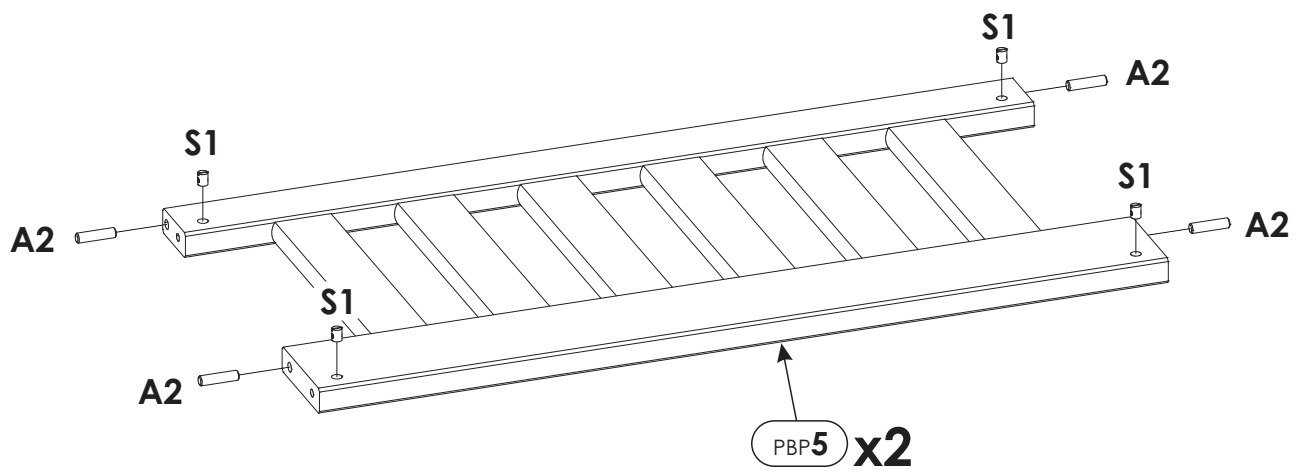
OPTION



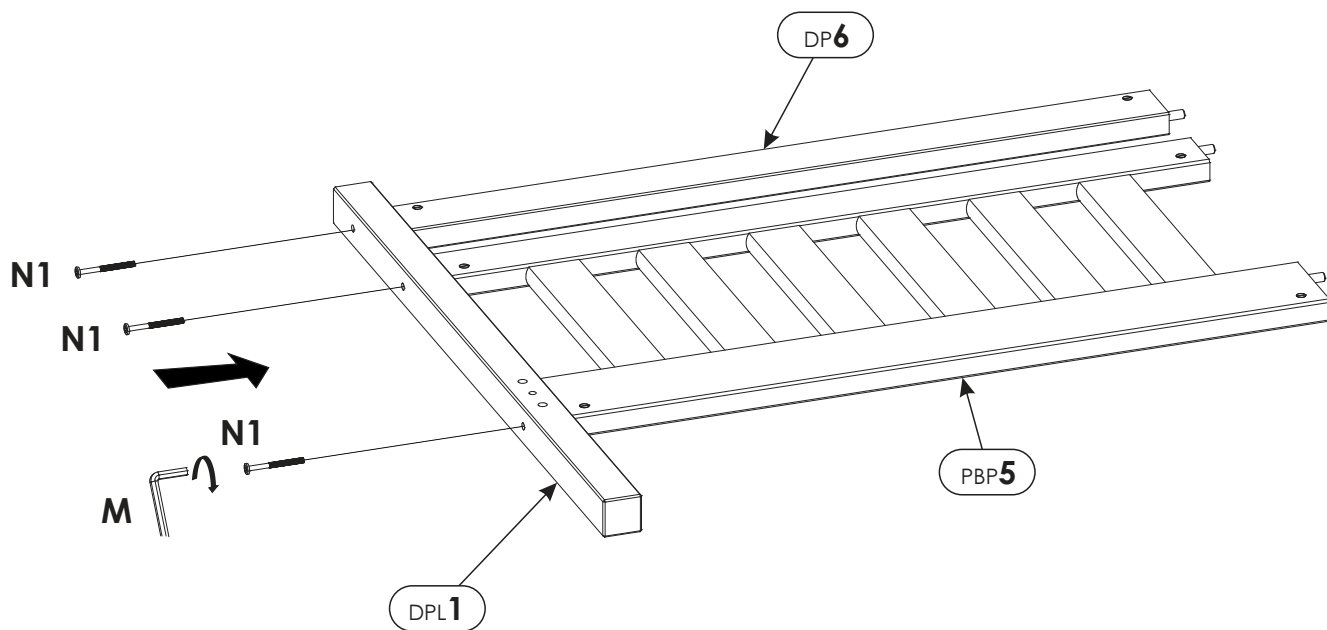
1.



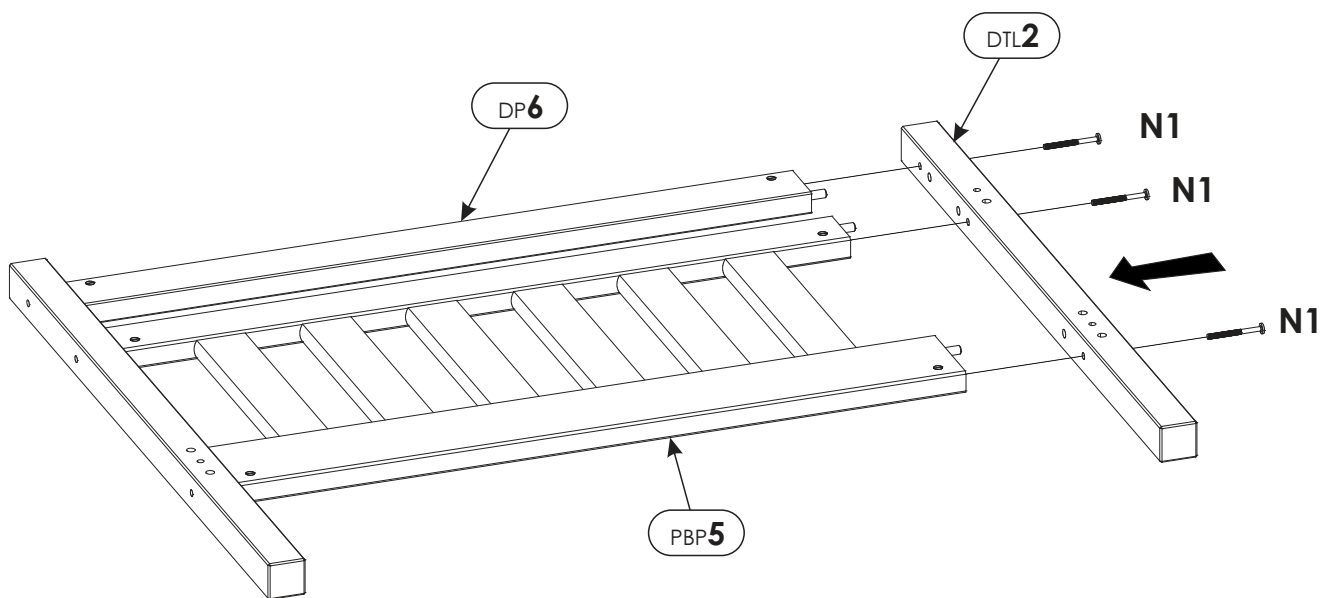
2.



3.

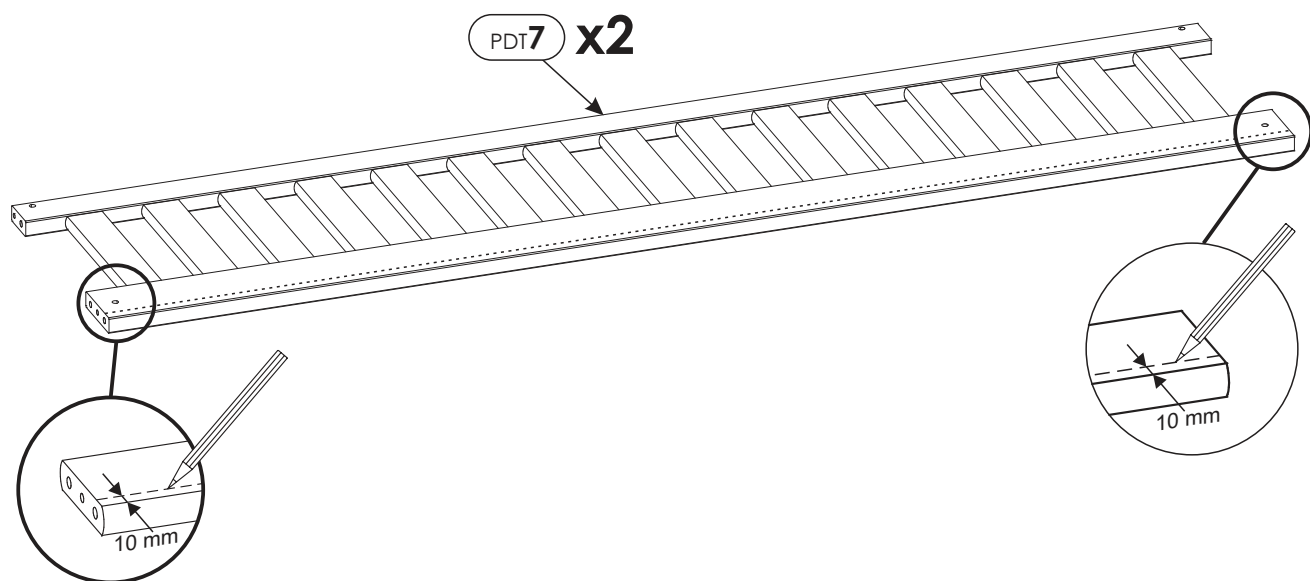


4.

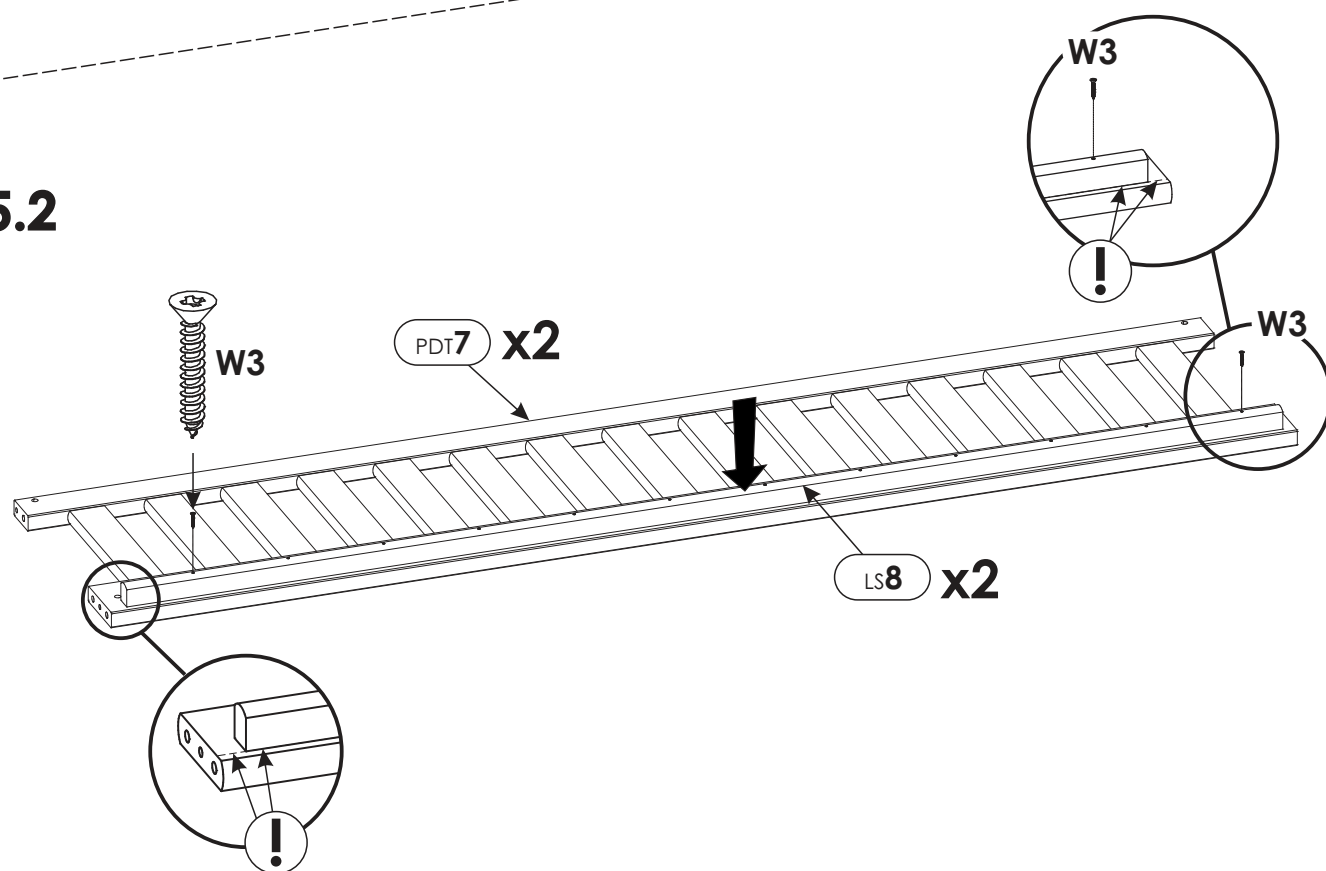


5.

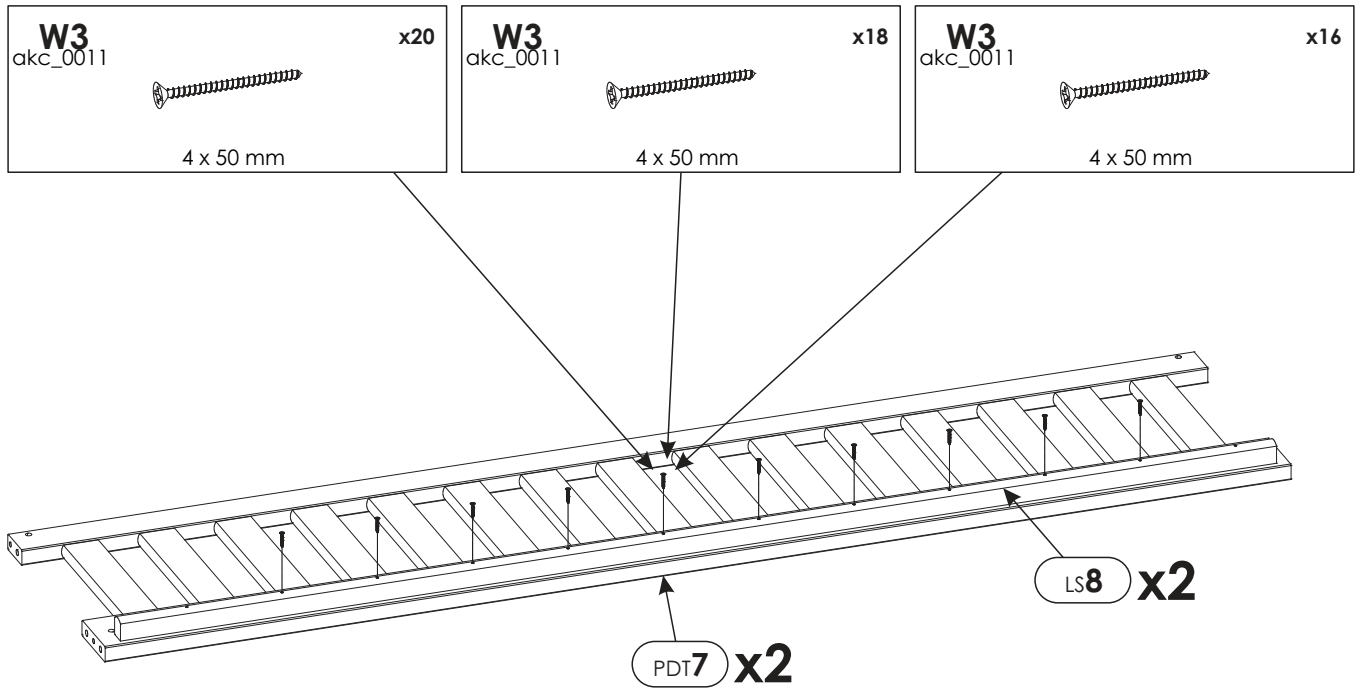
5.1



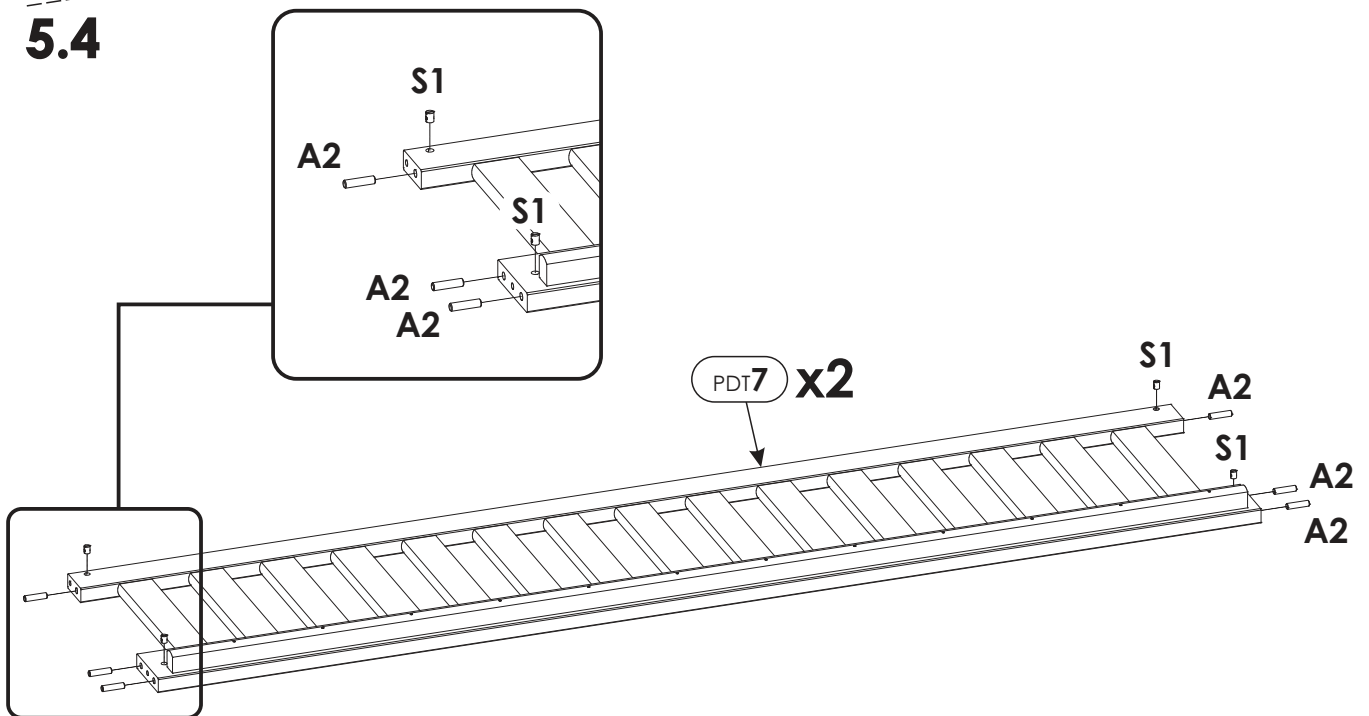
5.2



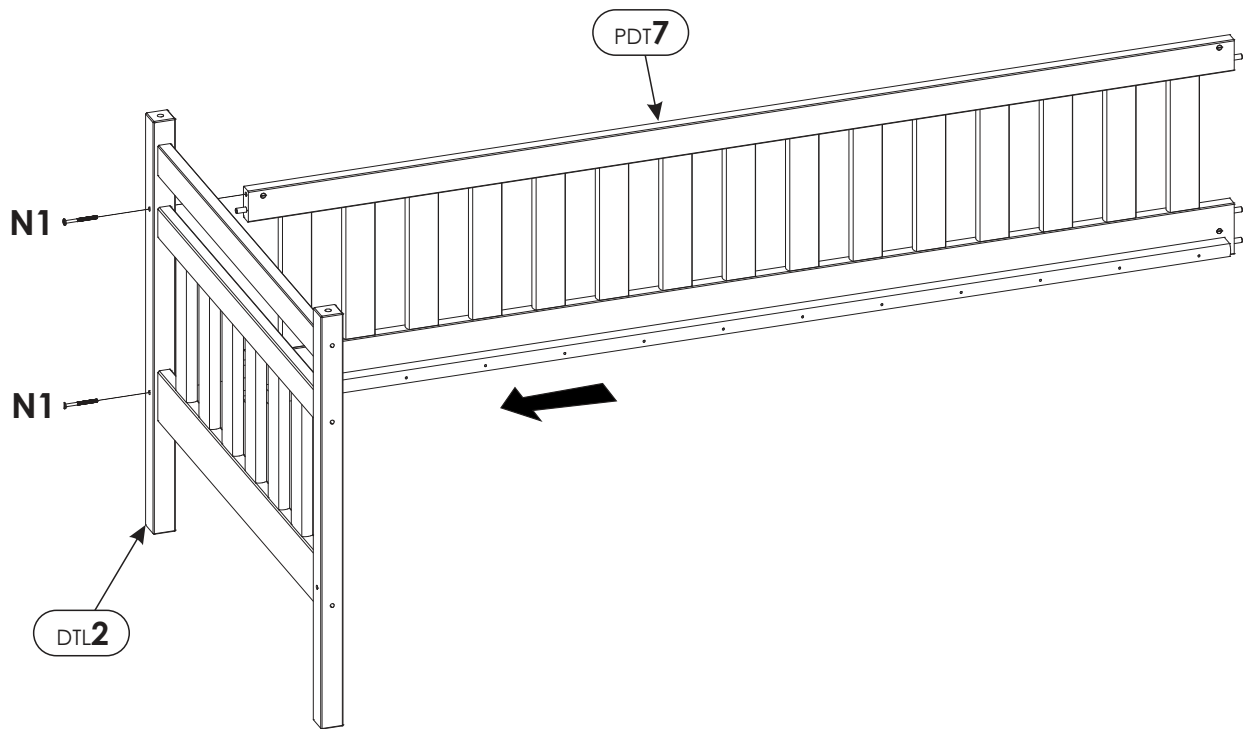

5.3



5.4

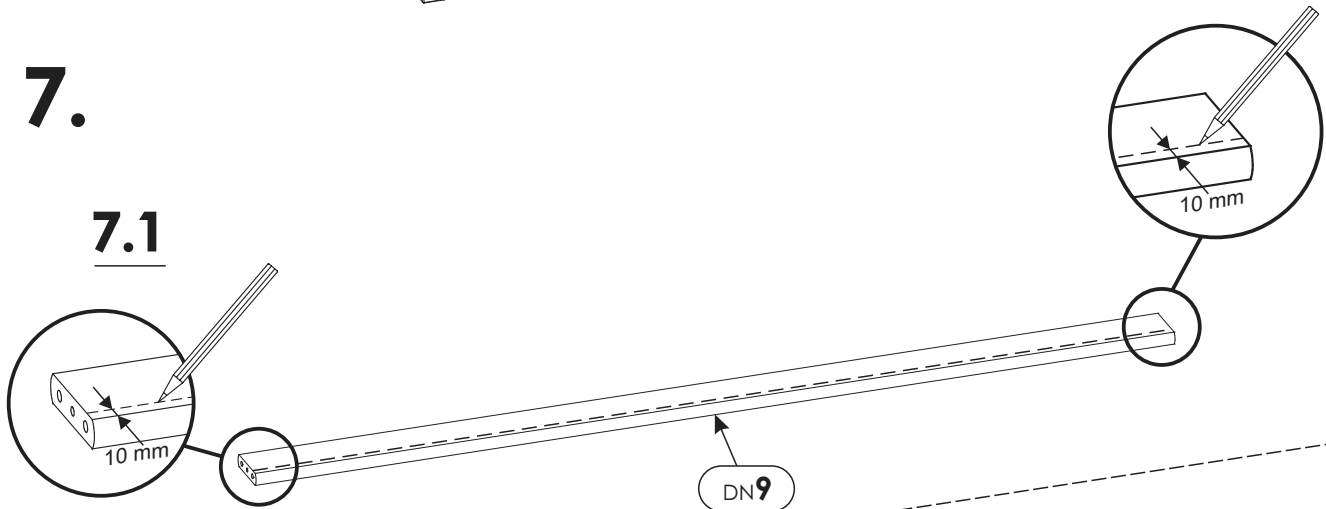


6.

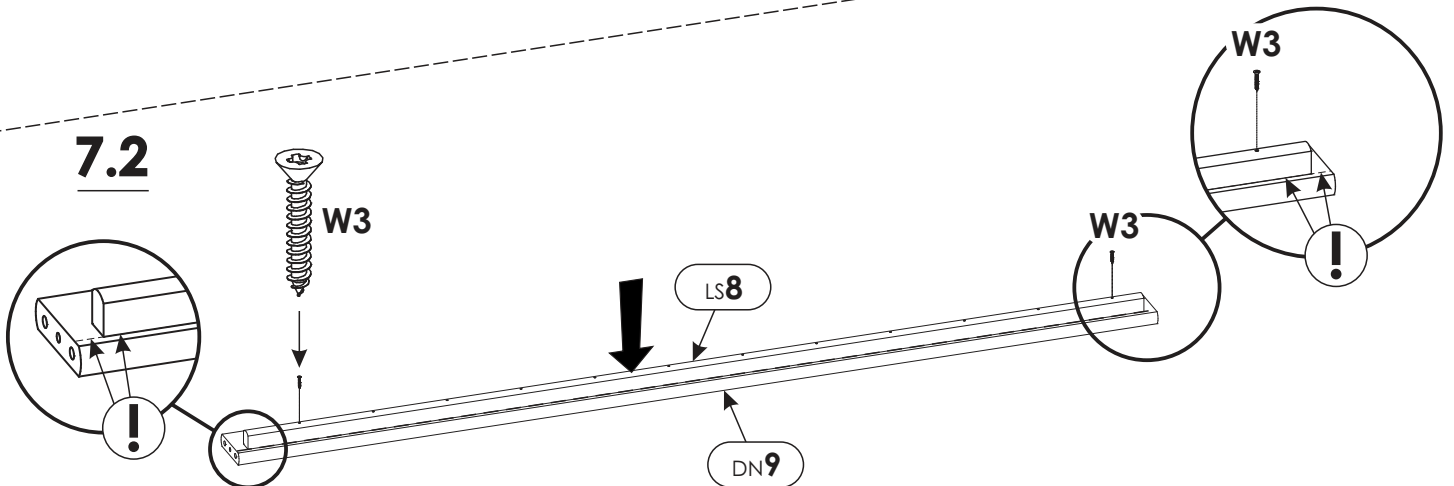


7.

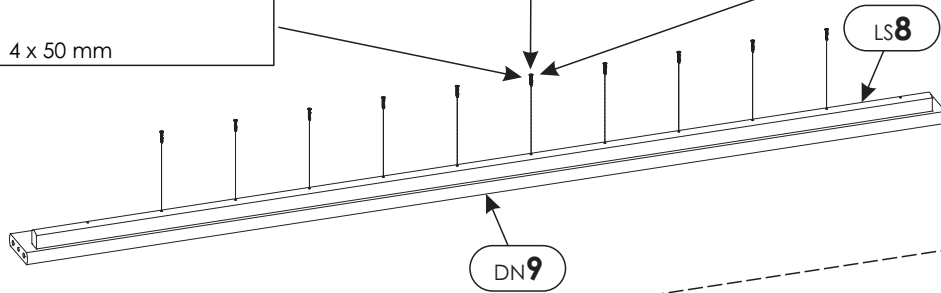
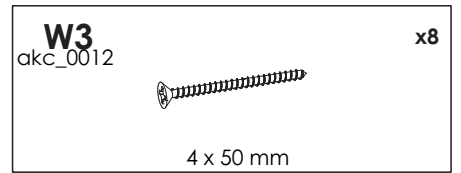
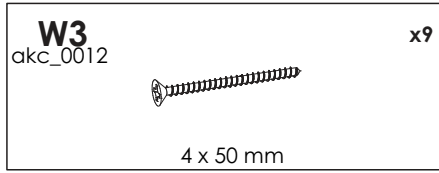
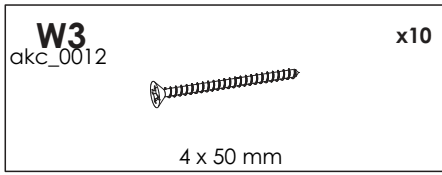
7.1



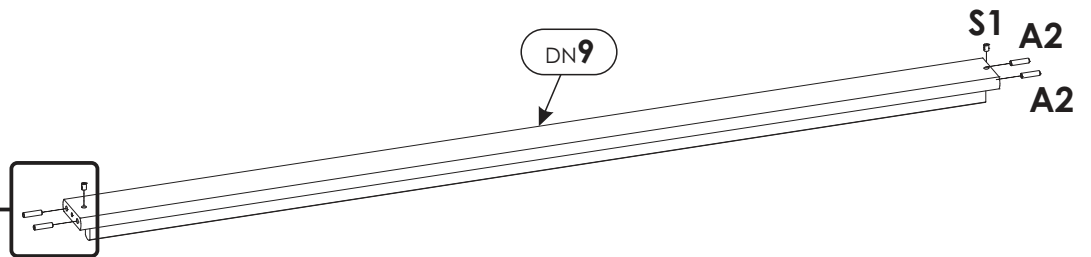
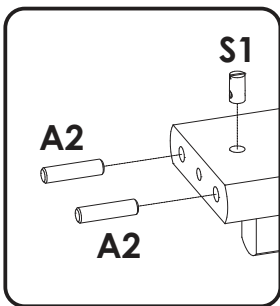
7.2



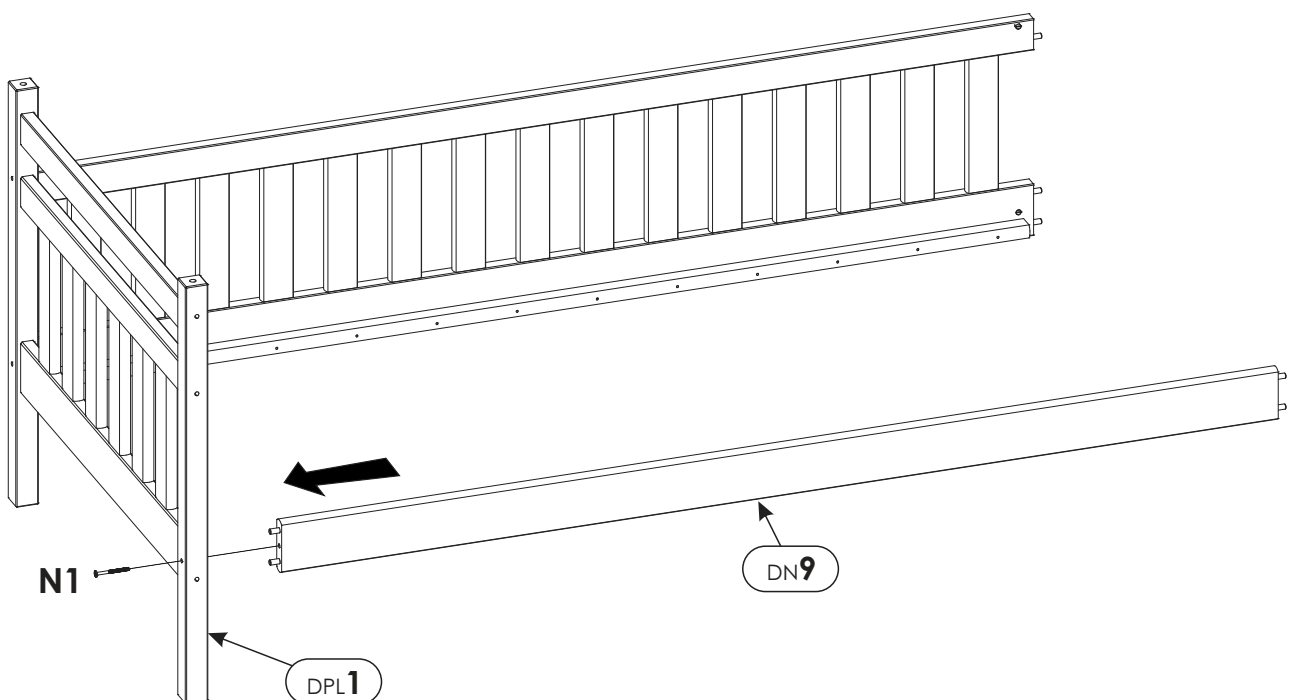
7.3



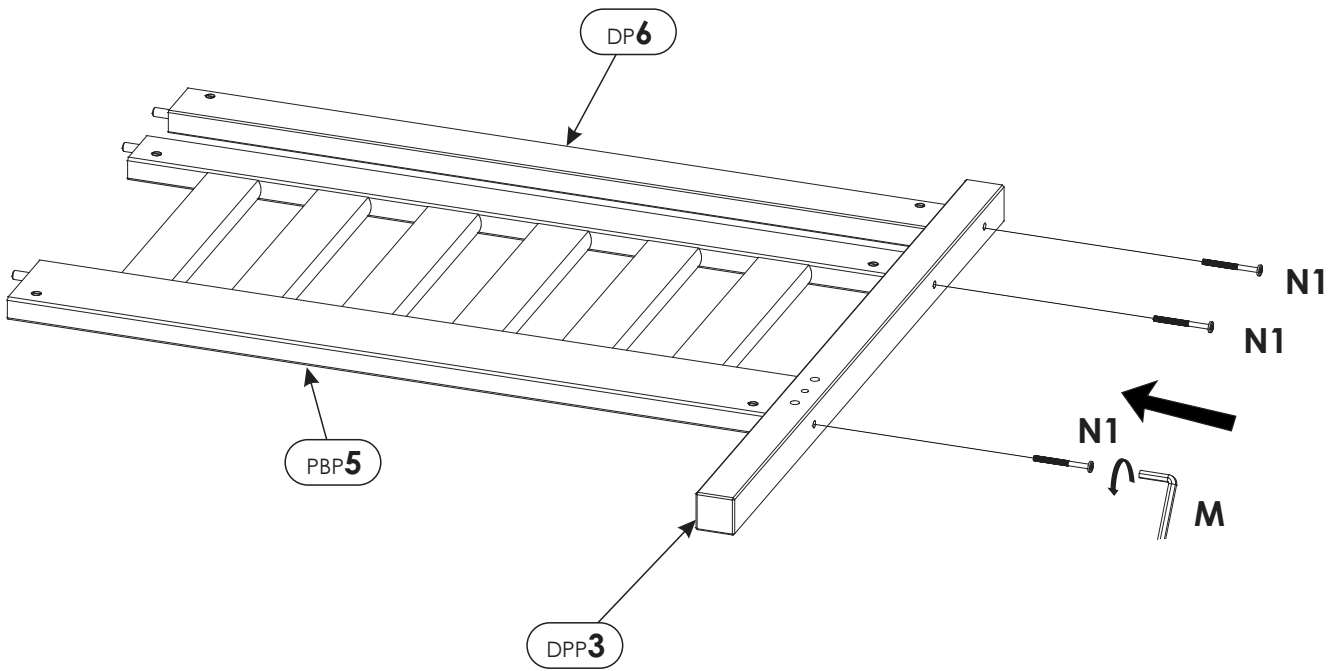
7.4



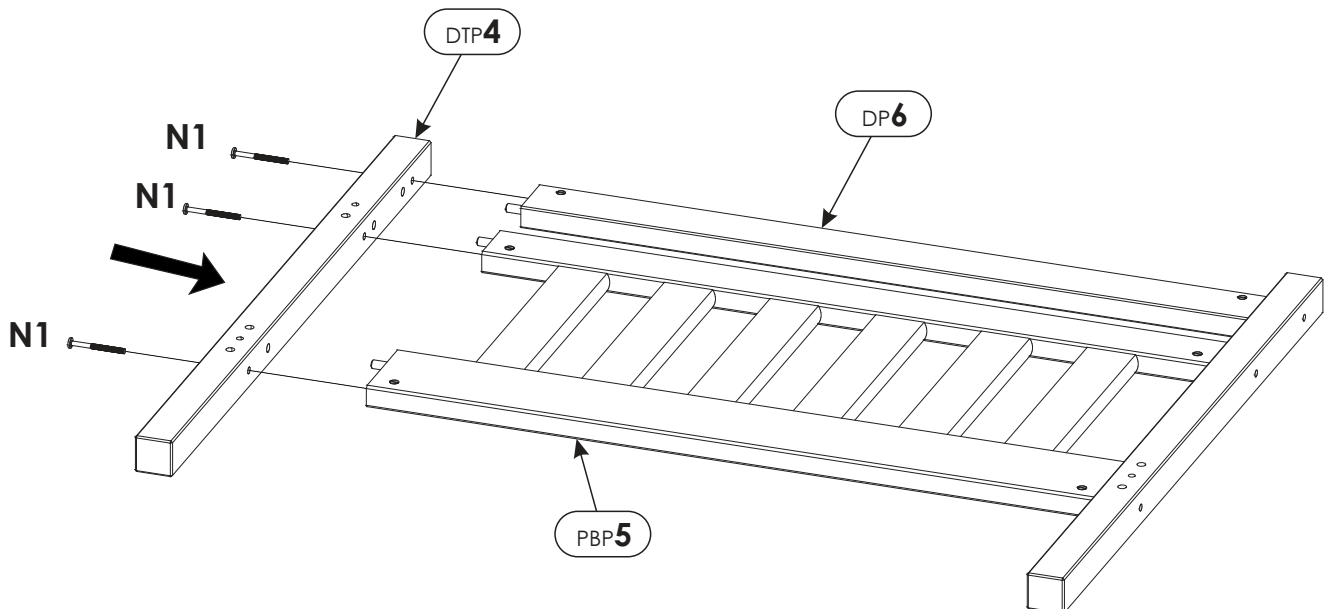
8.



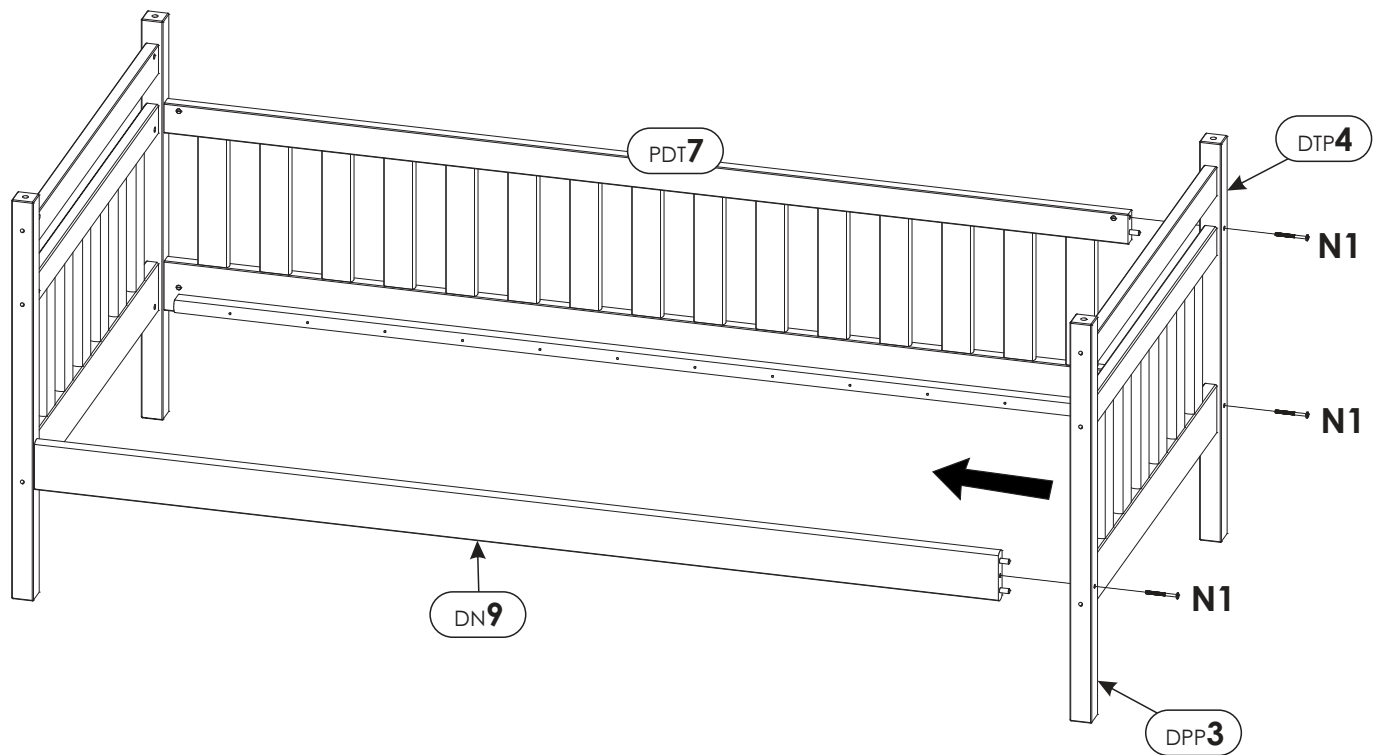
9.



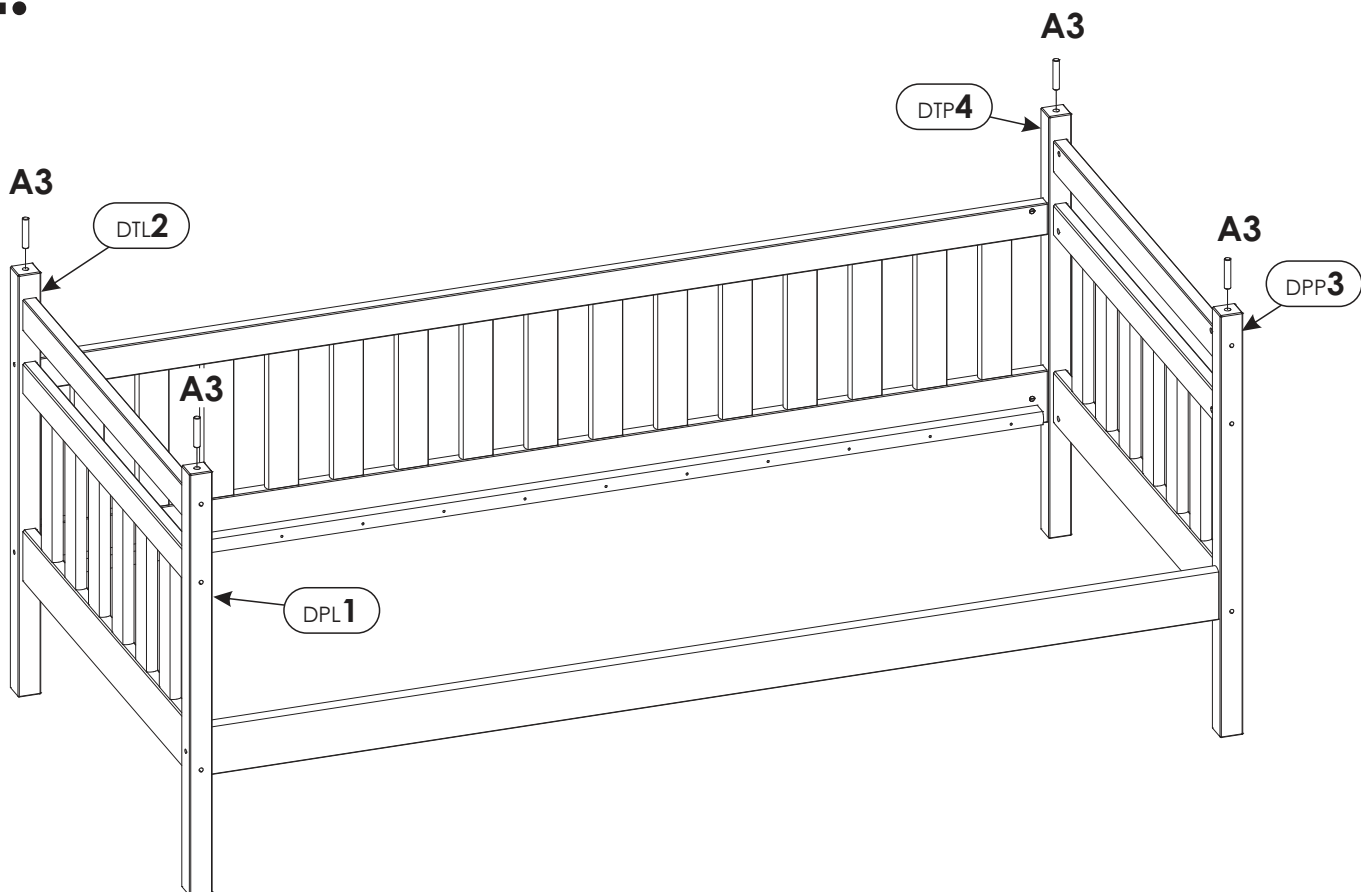
10.



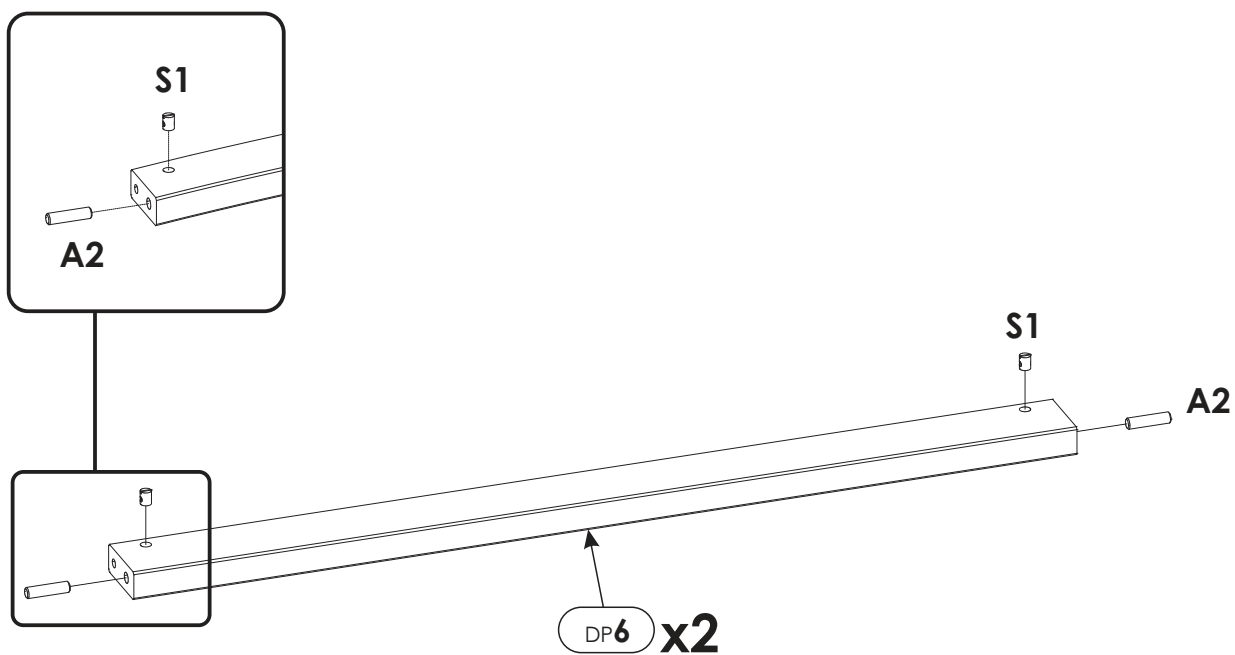
11.



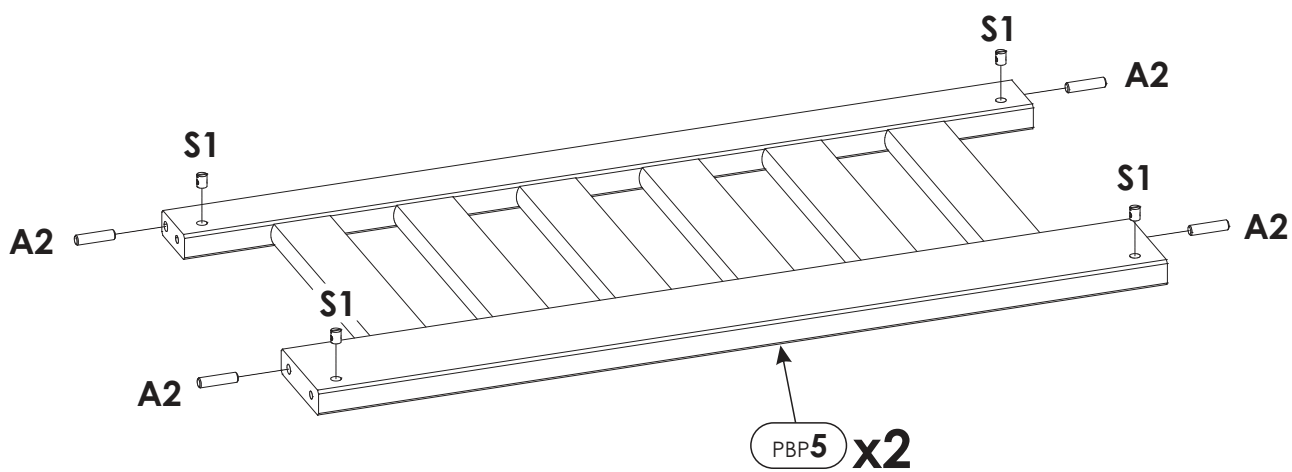
12.



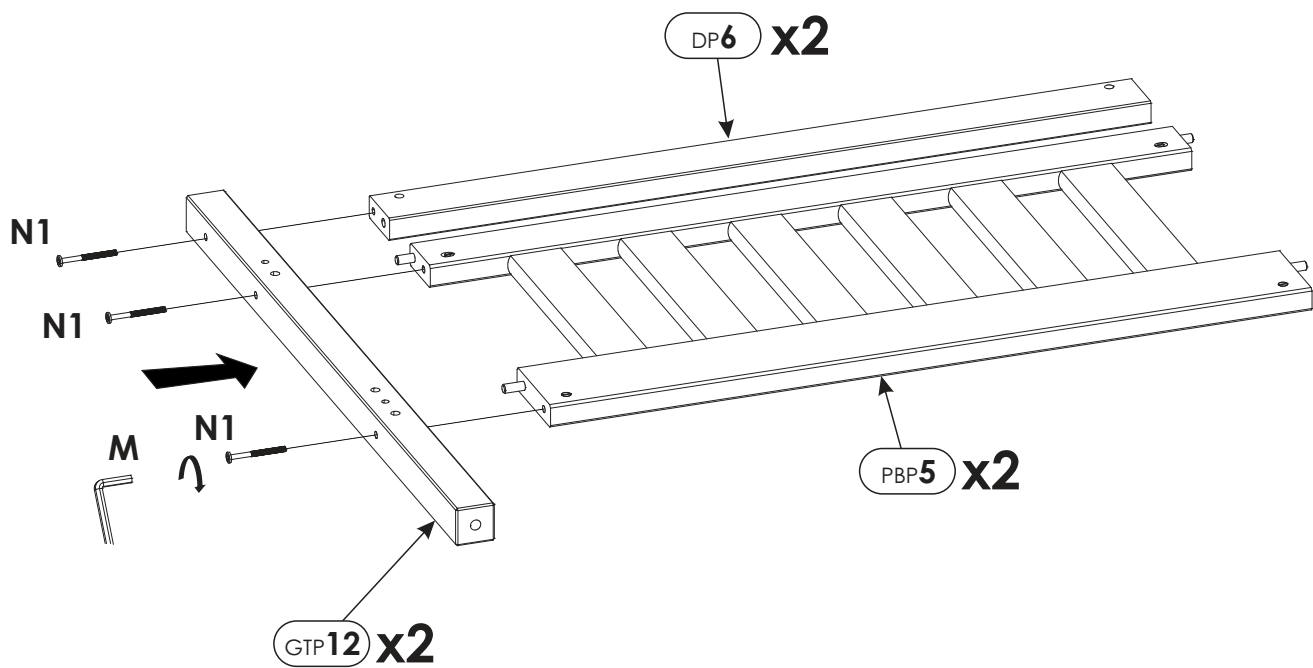
13.



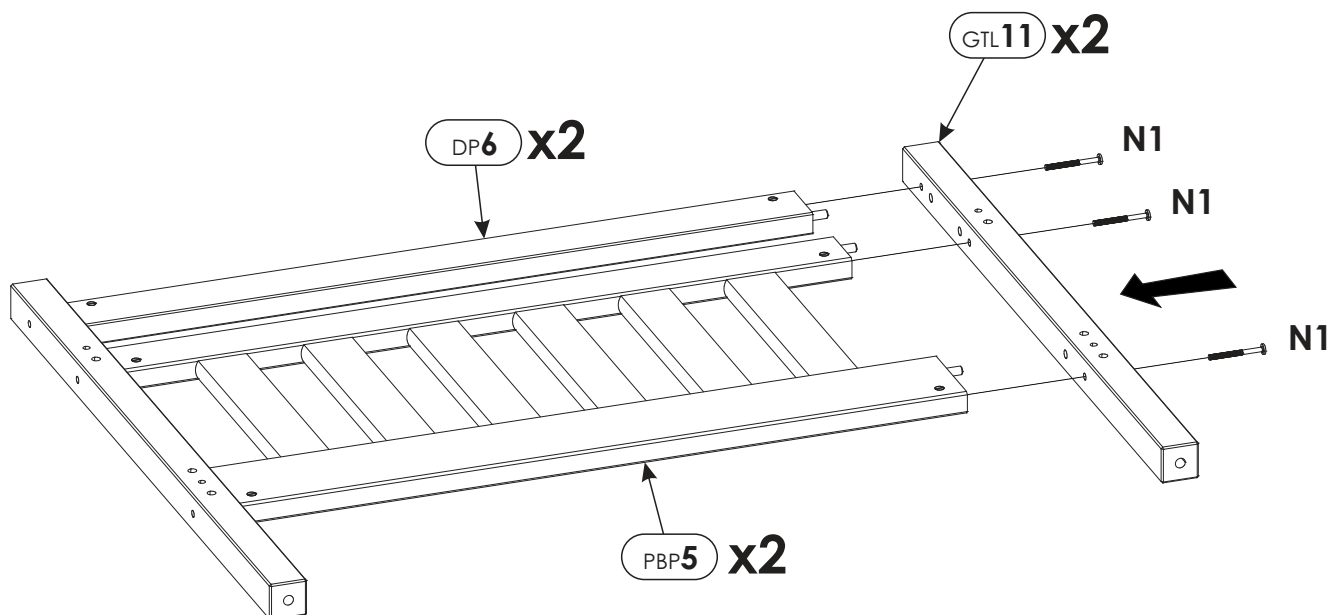
14.



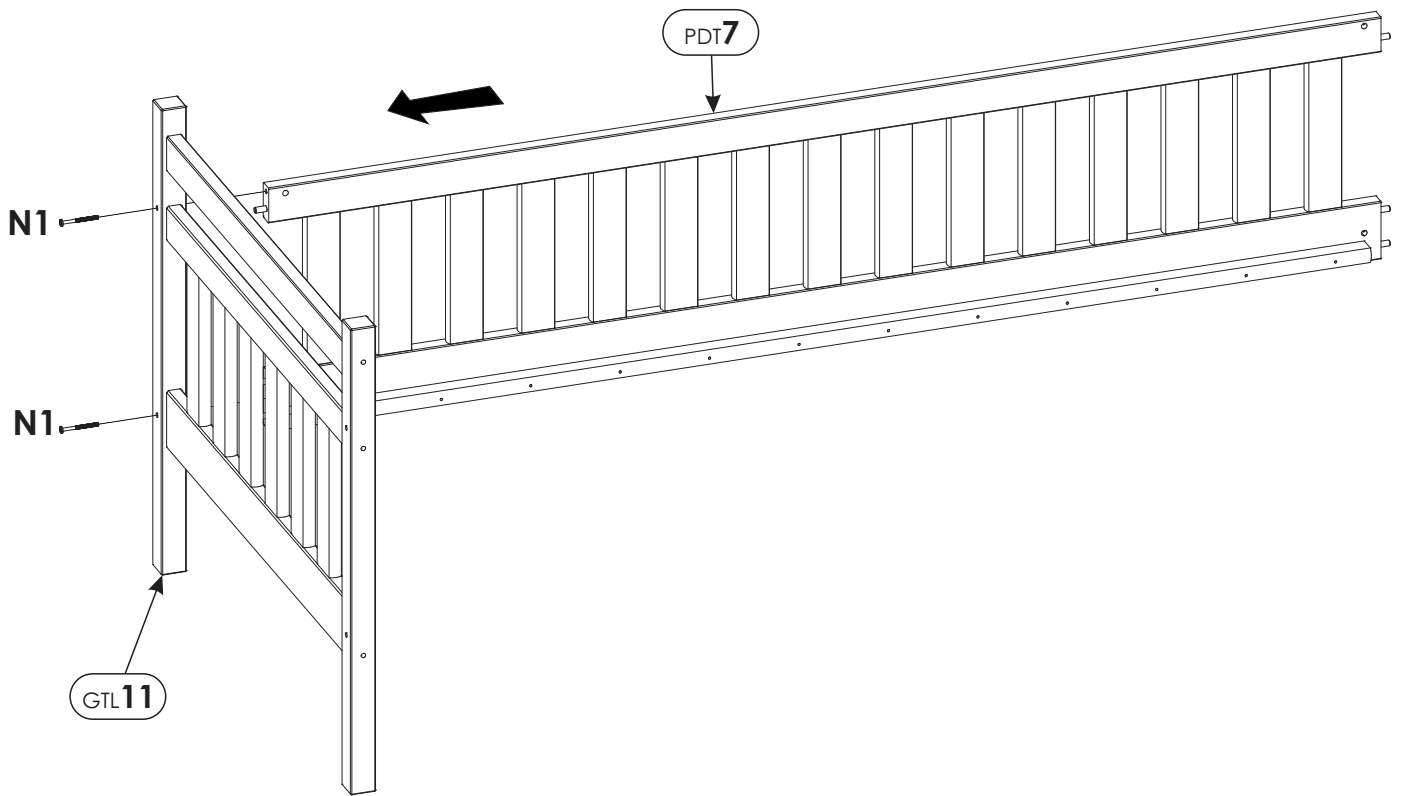
15.



16.

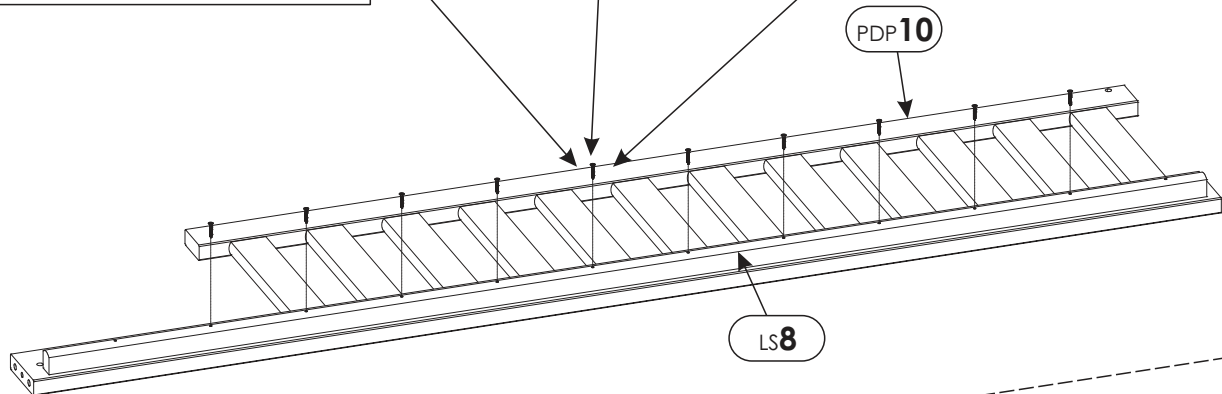
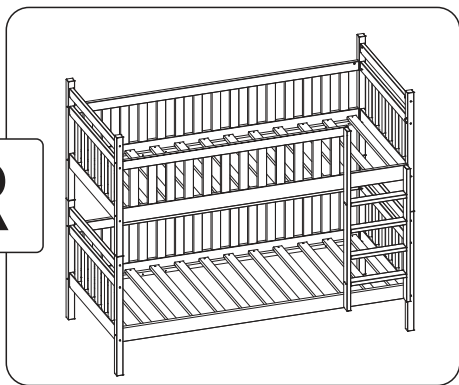


17.

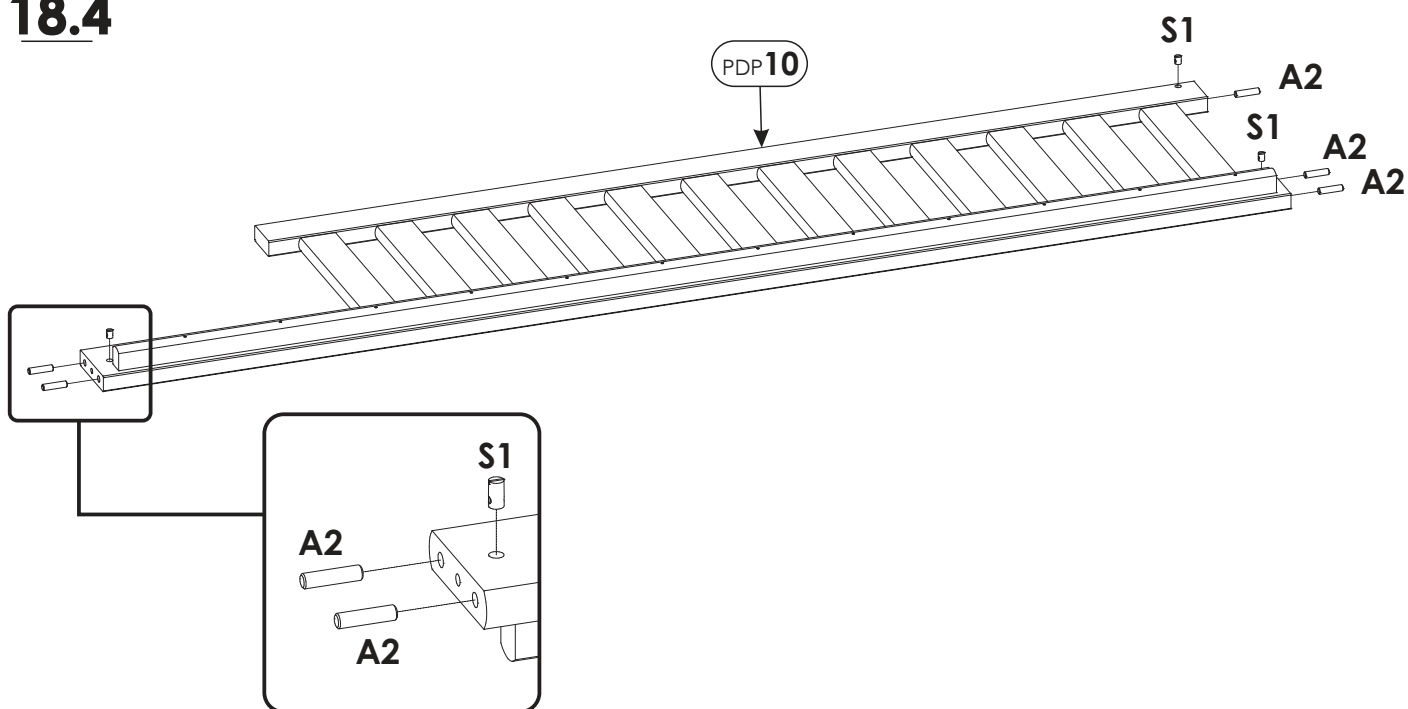


18.3

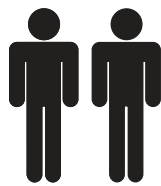
R



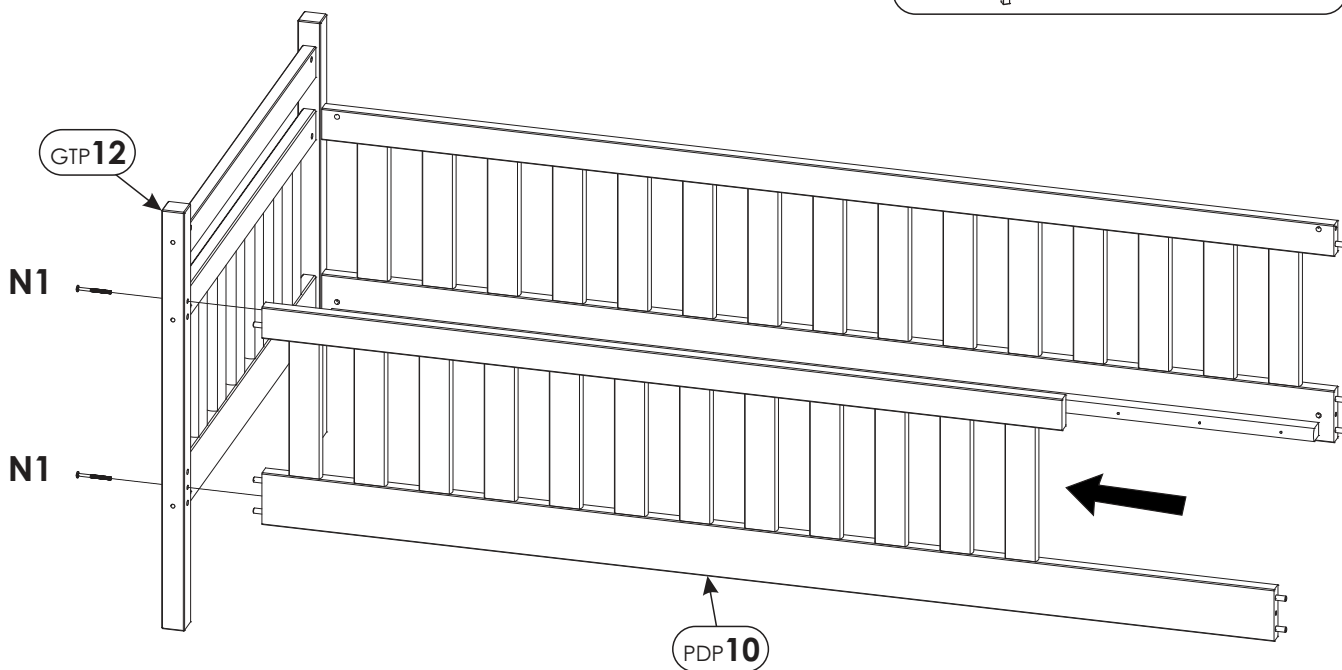
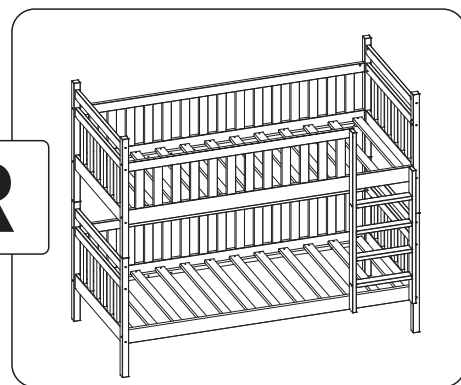
18.4



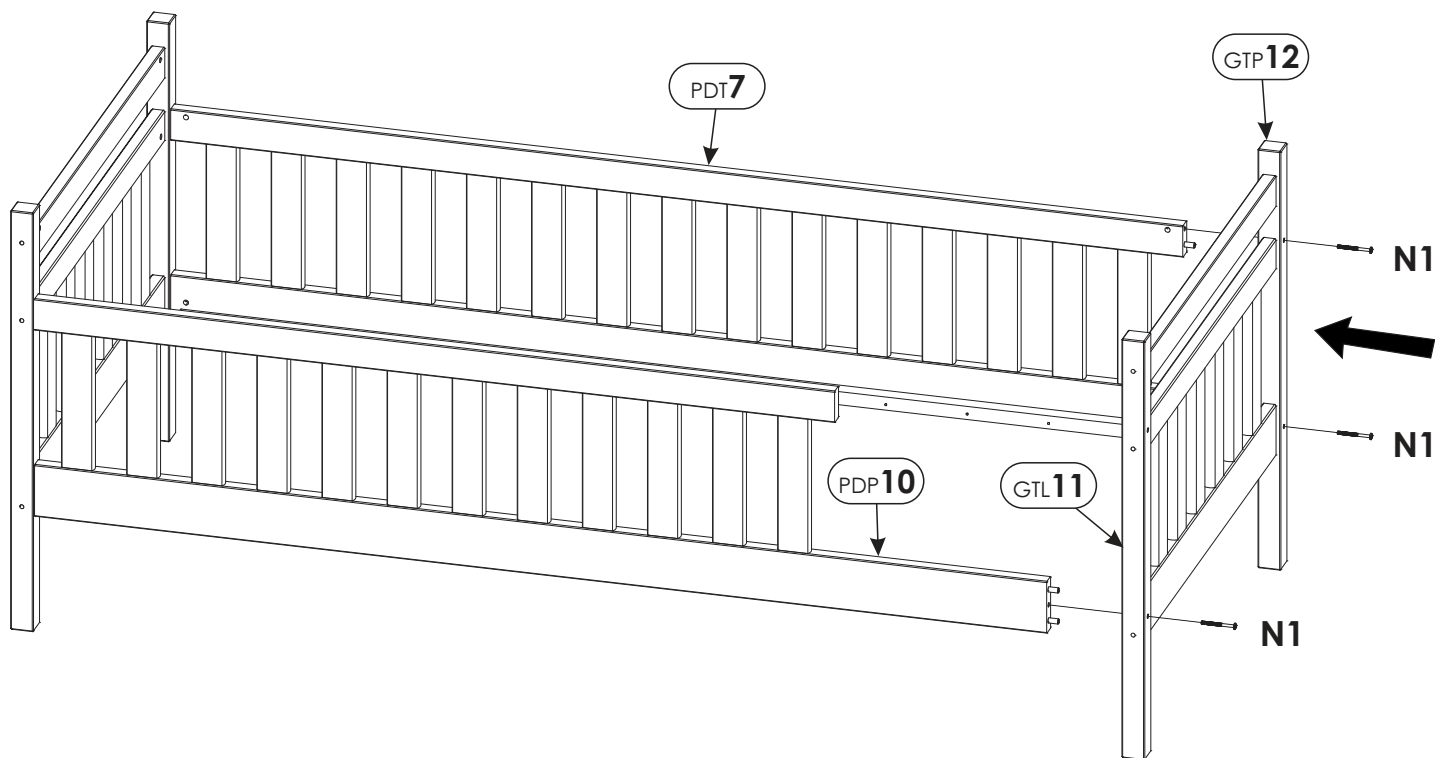
19.



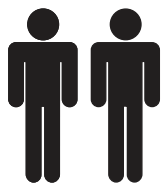
R



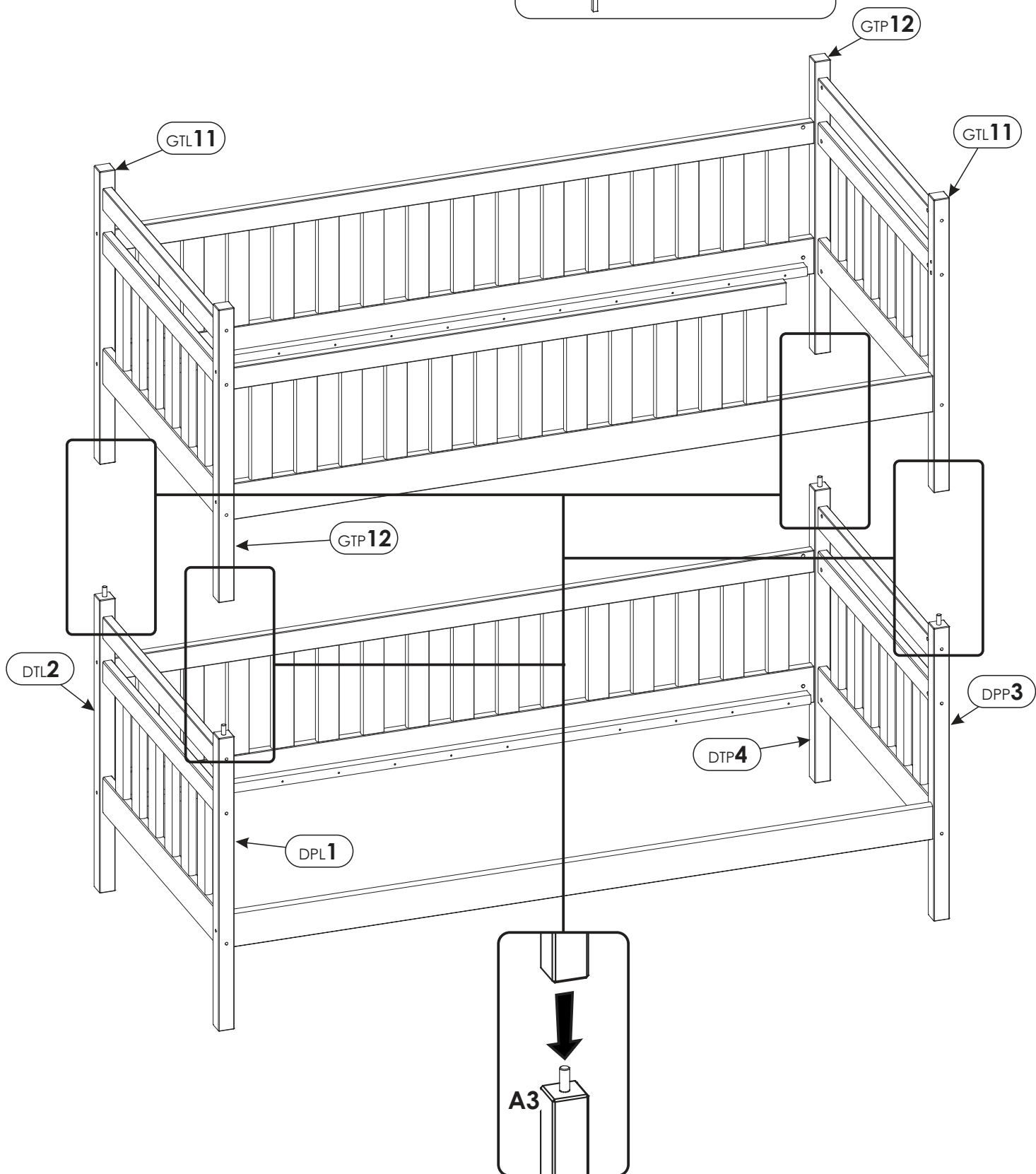
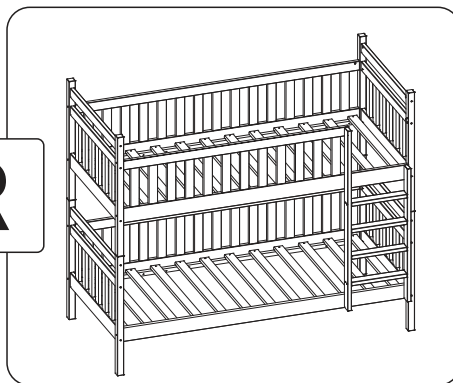
20.



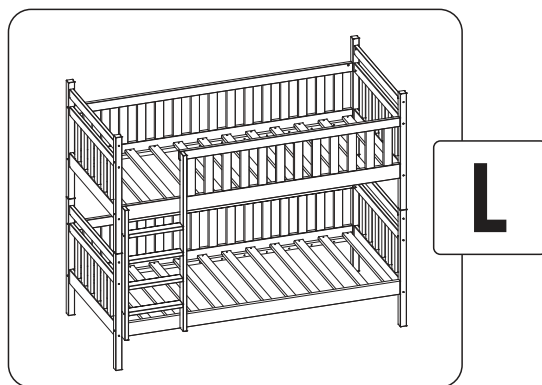
21.



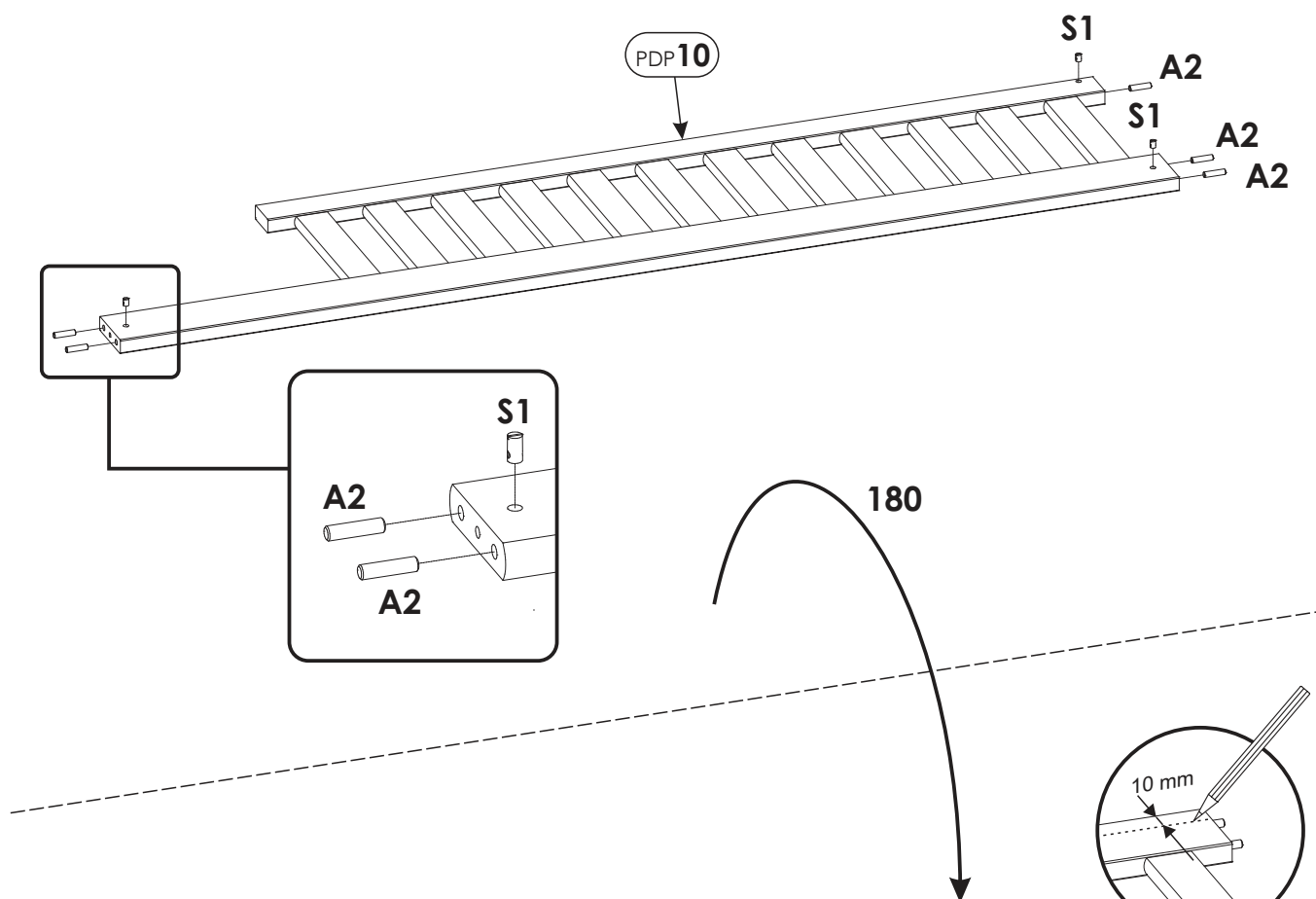
R



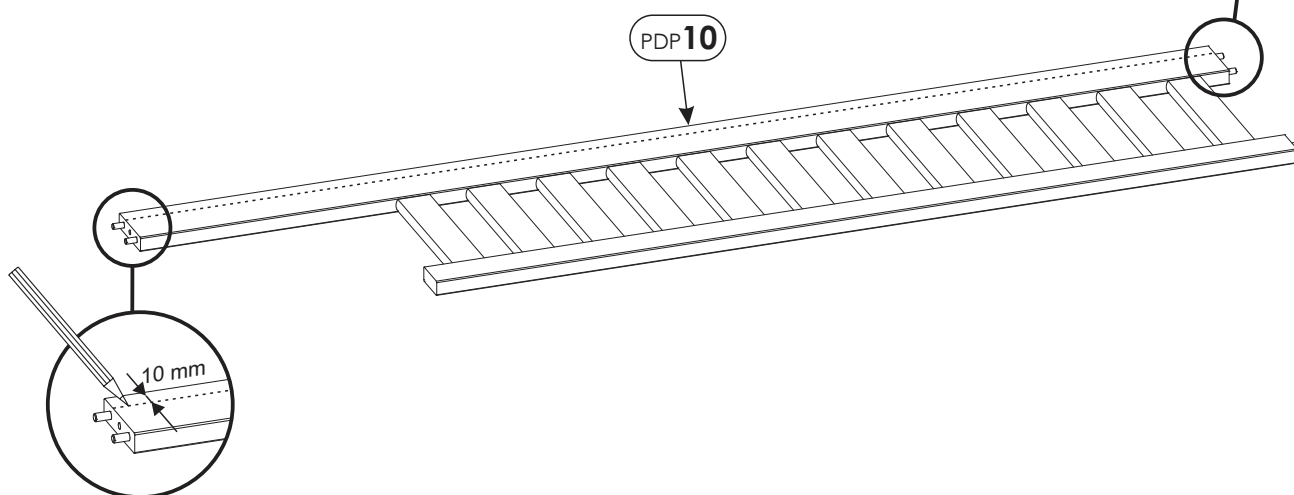
22.



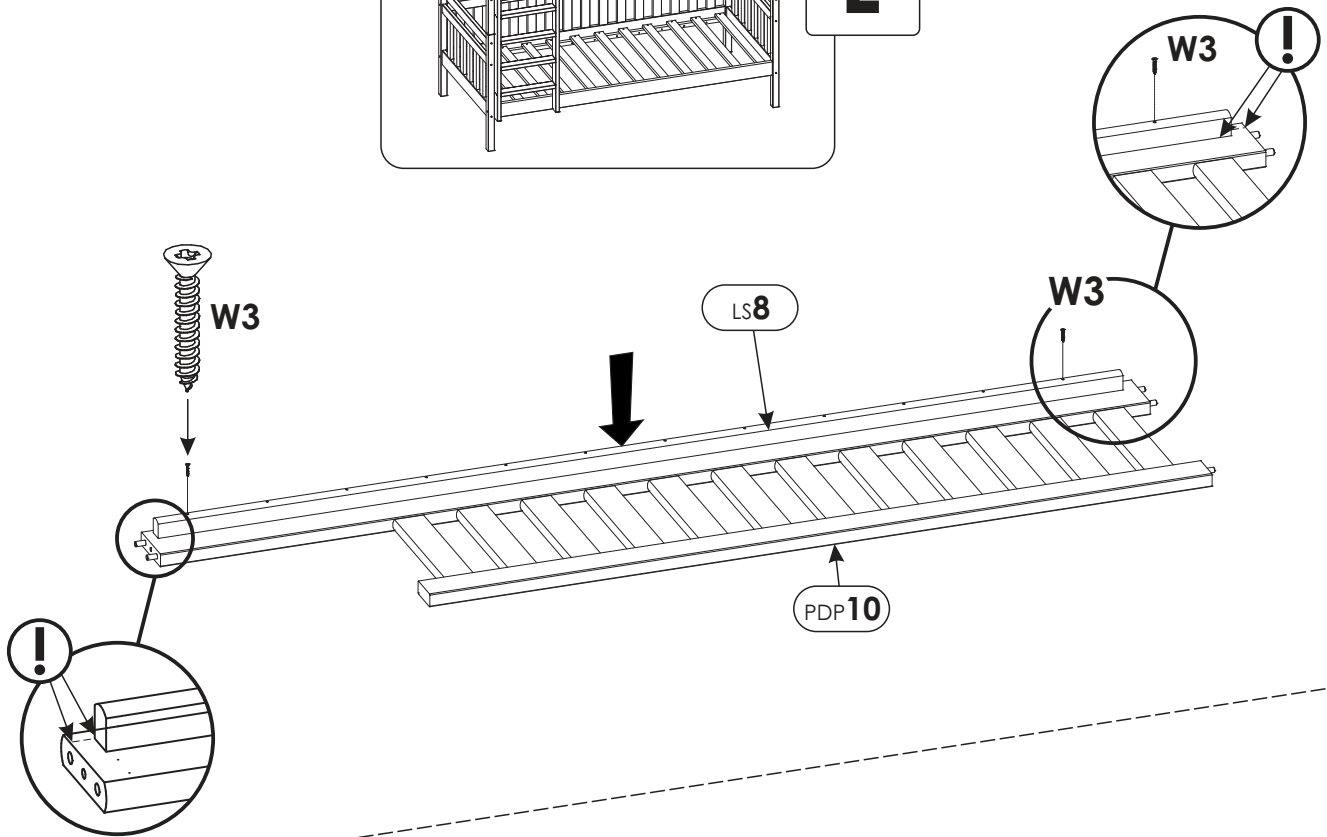
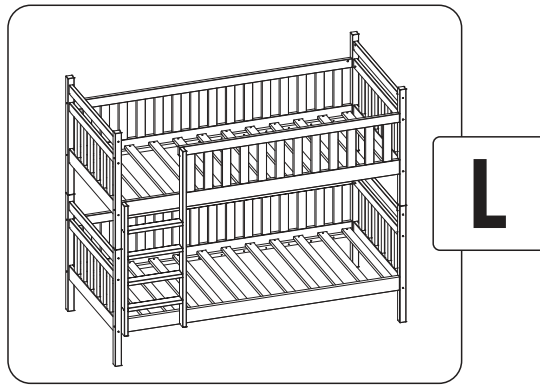
22.1



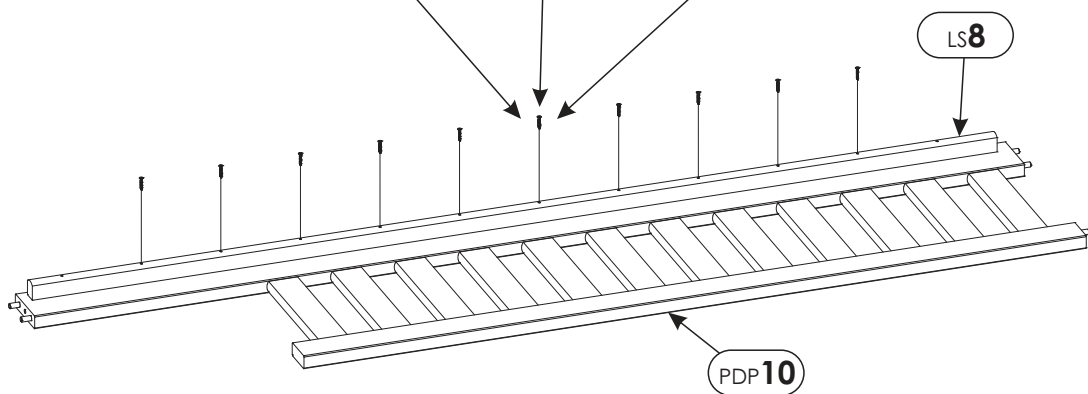
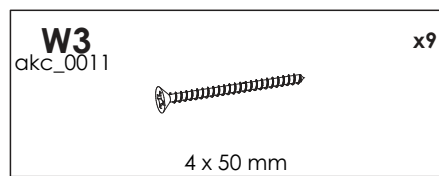
22.2



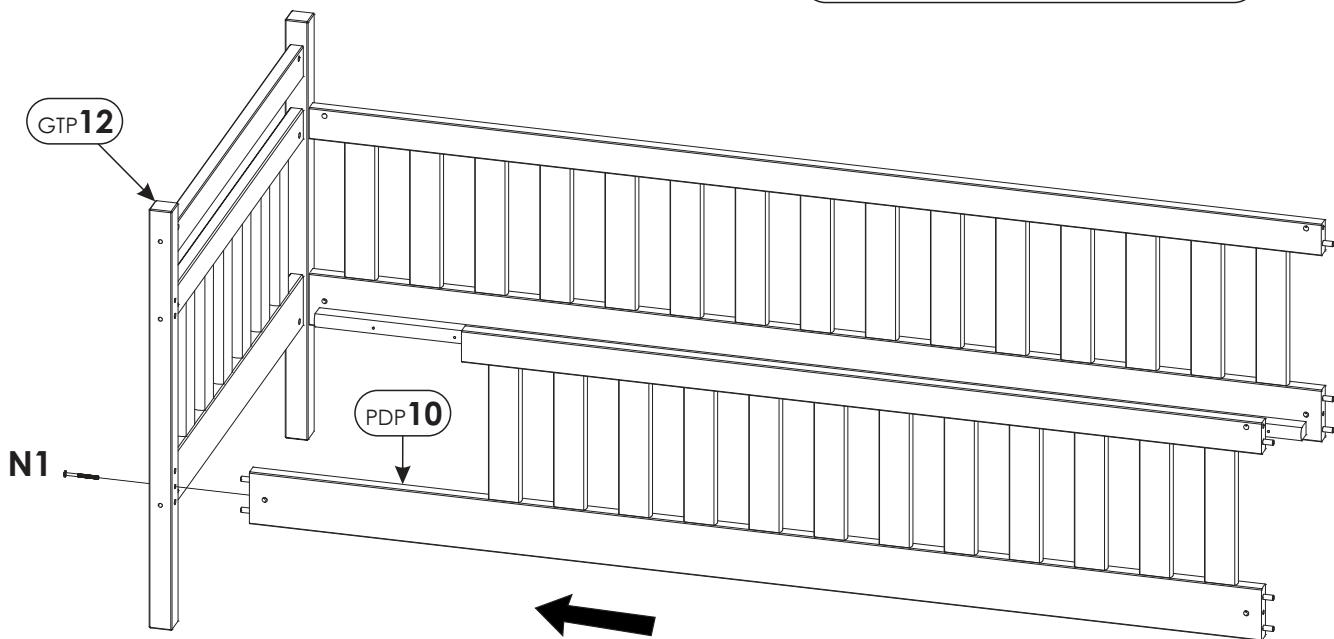
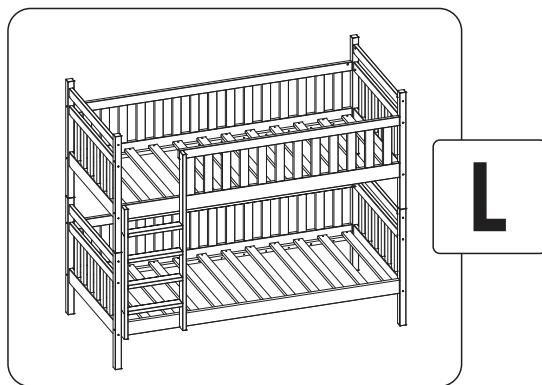
22.3



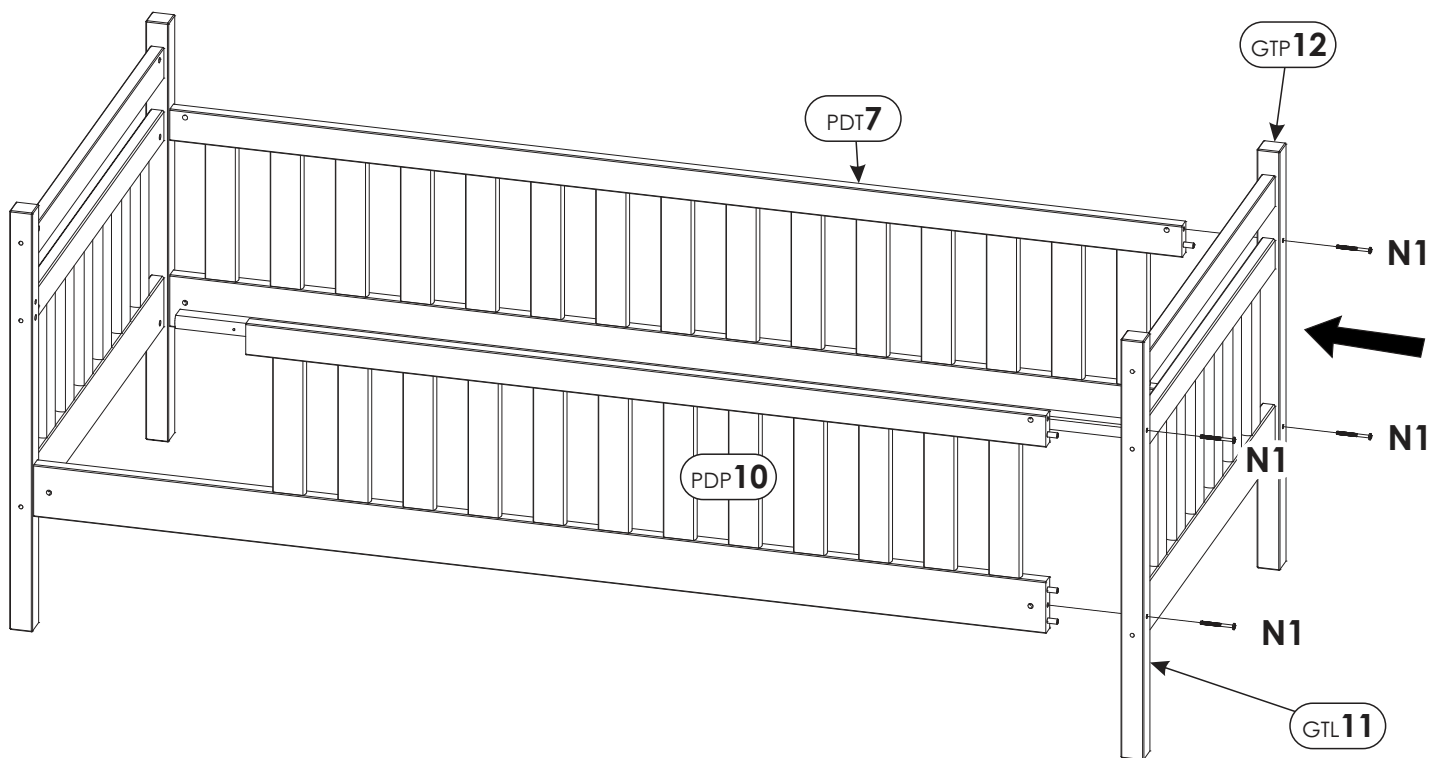
22.4



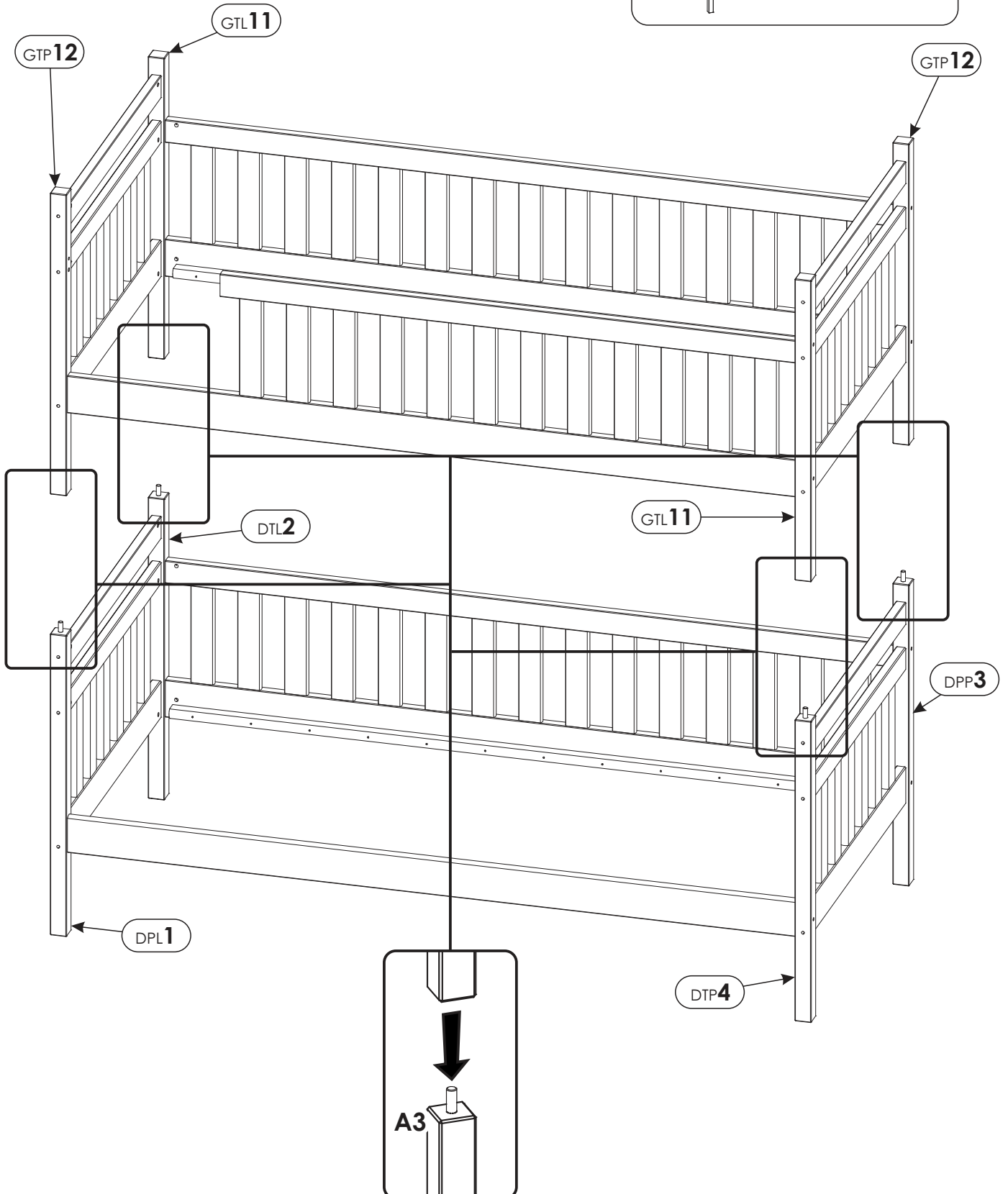
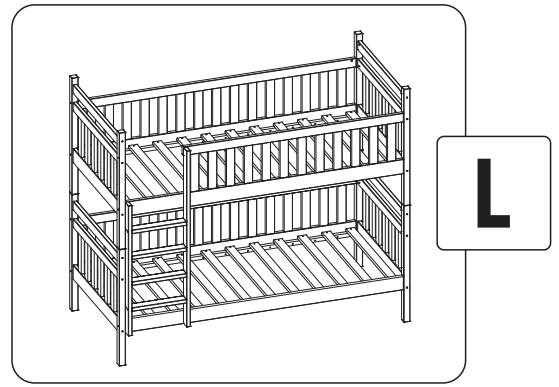
23.



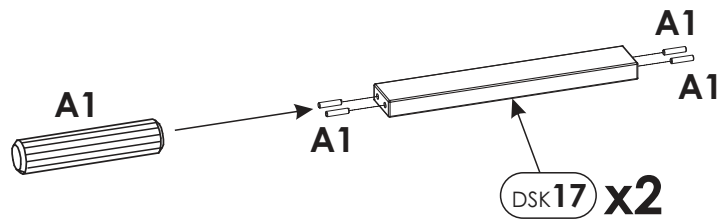
24.



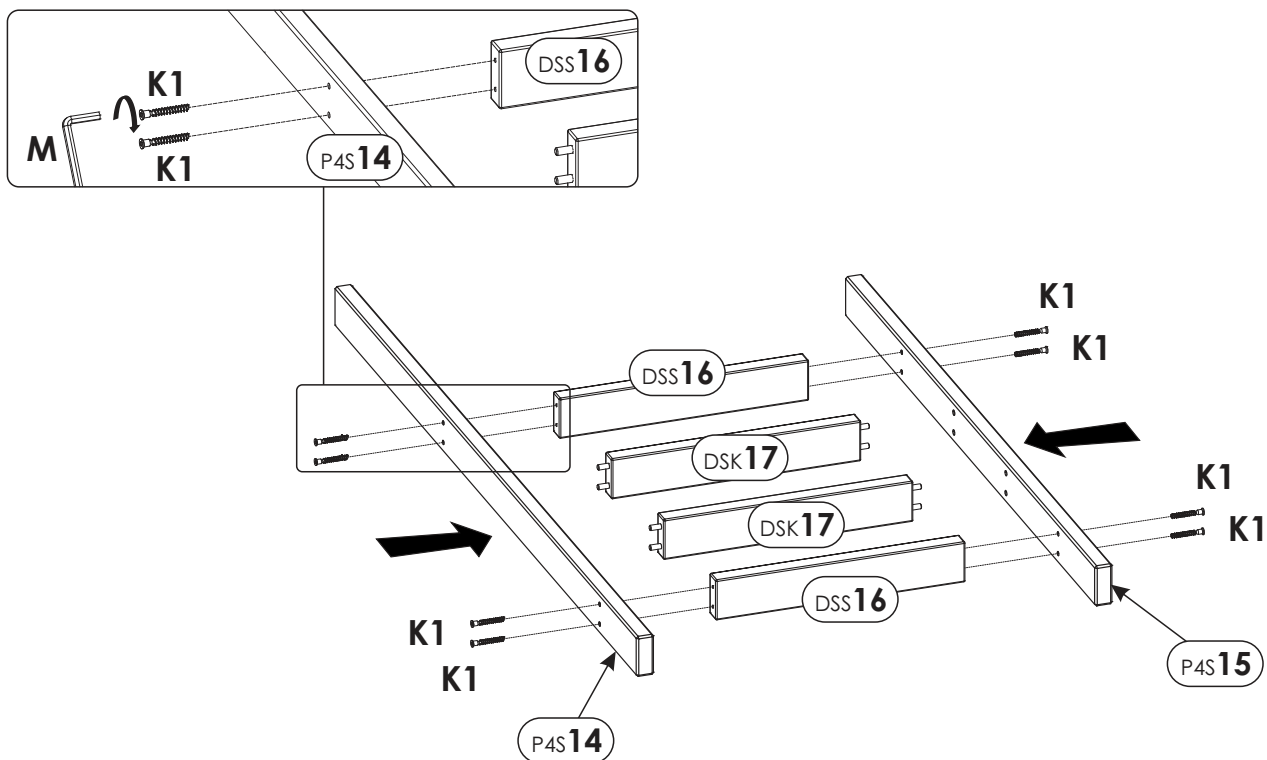
25.



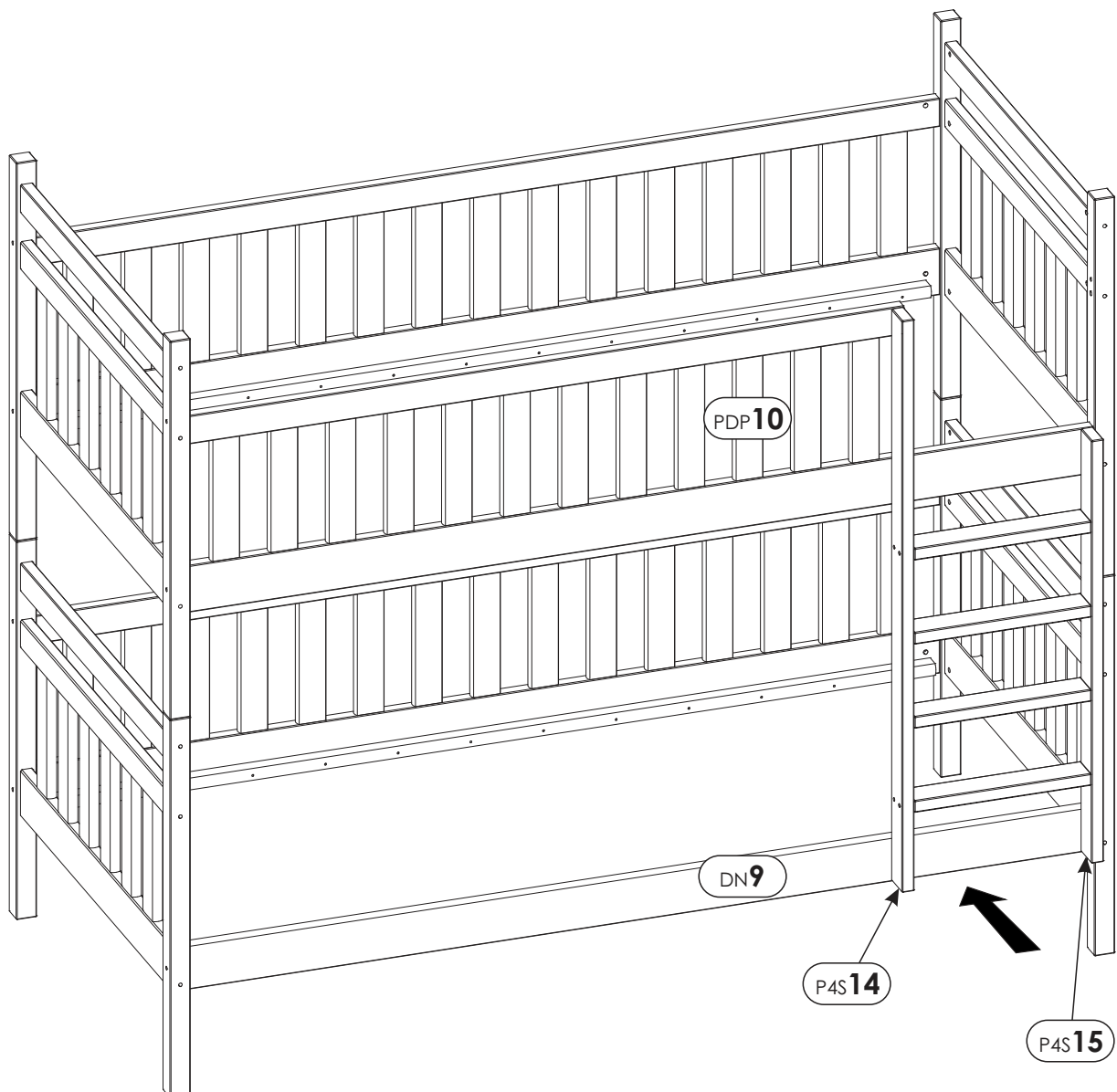
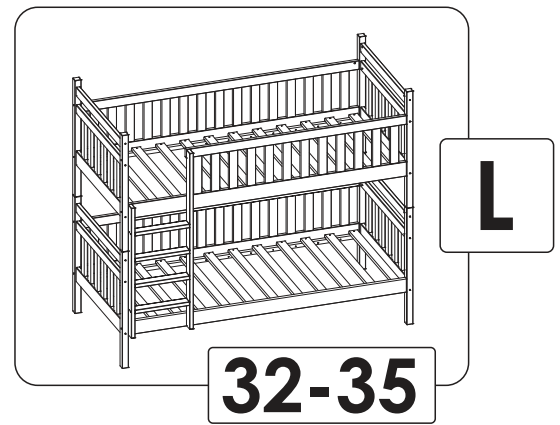
26.



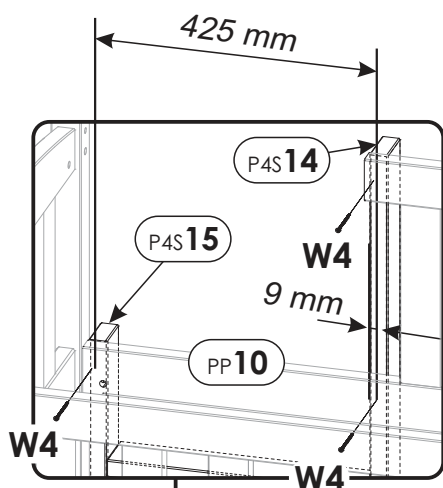
27.



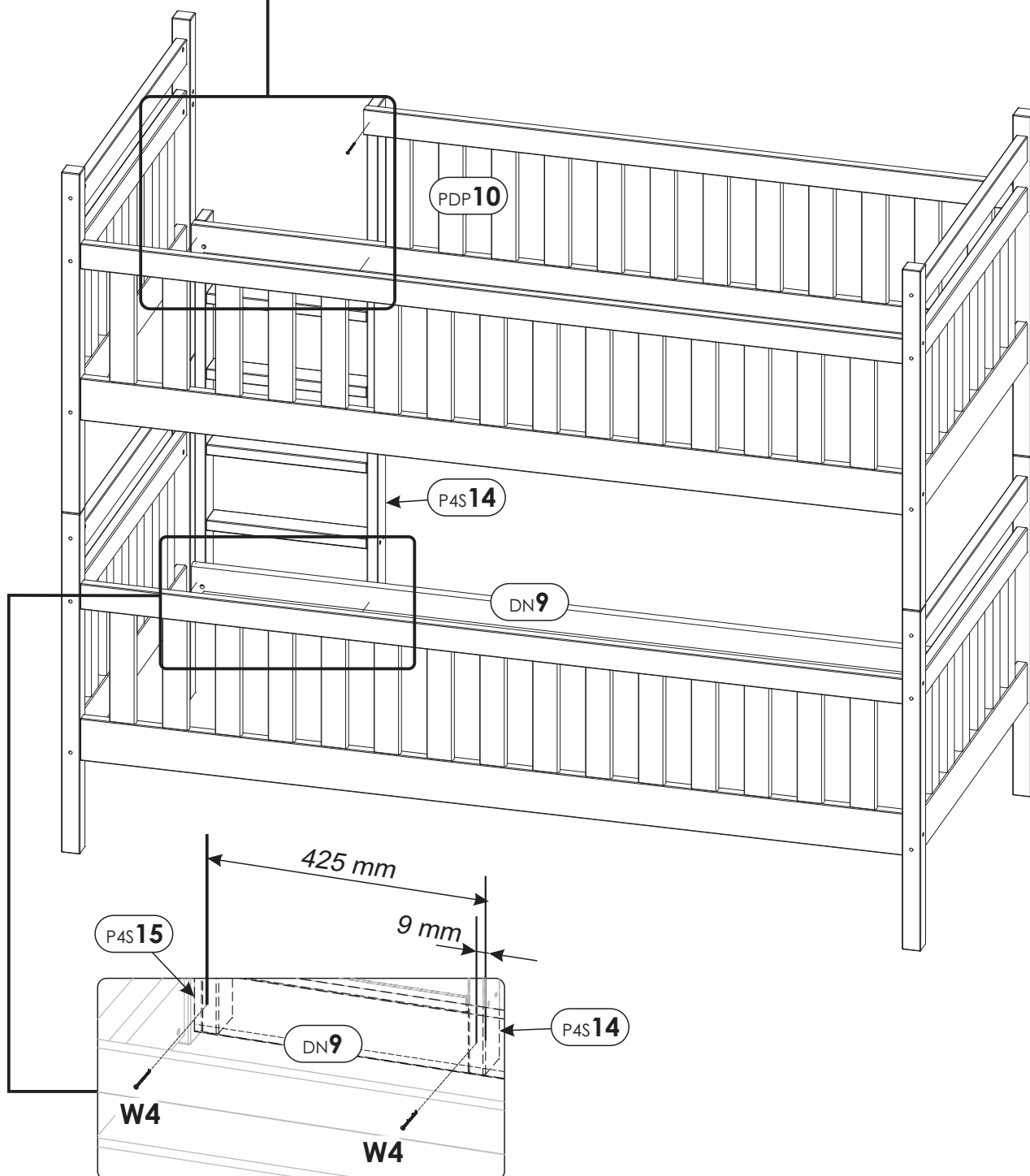
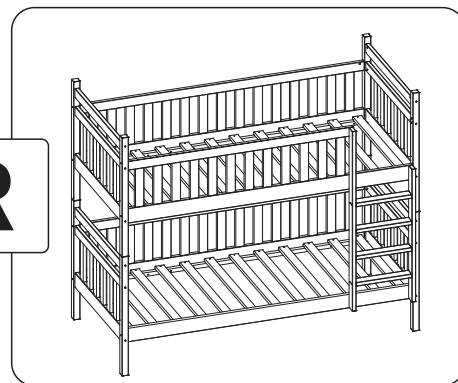
28.



29.

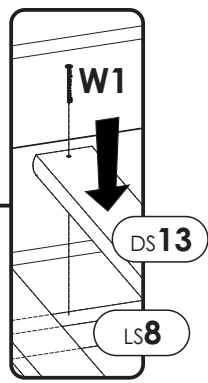
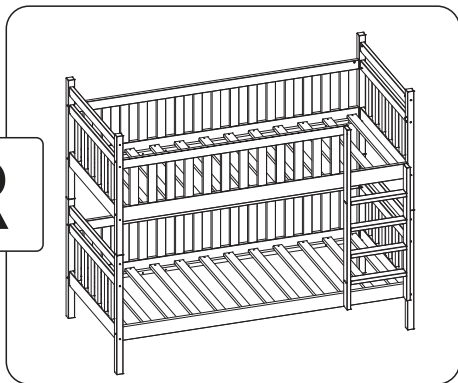


R

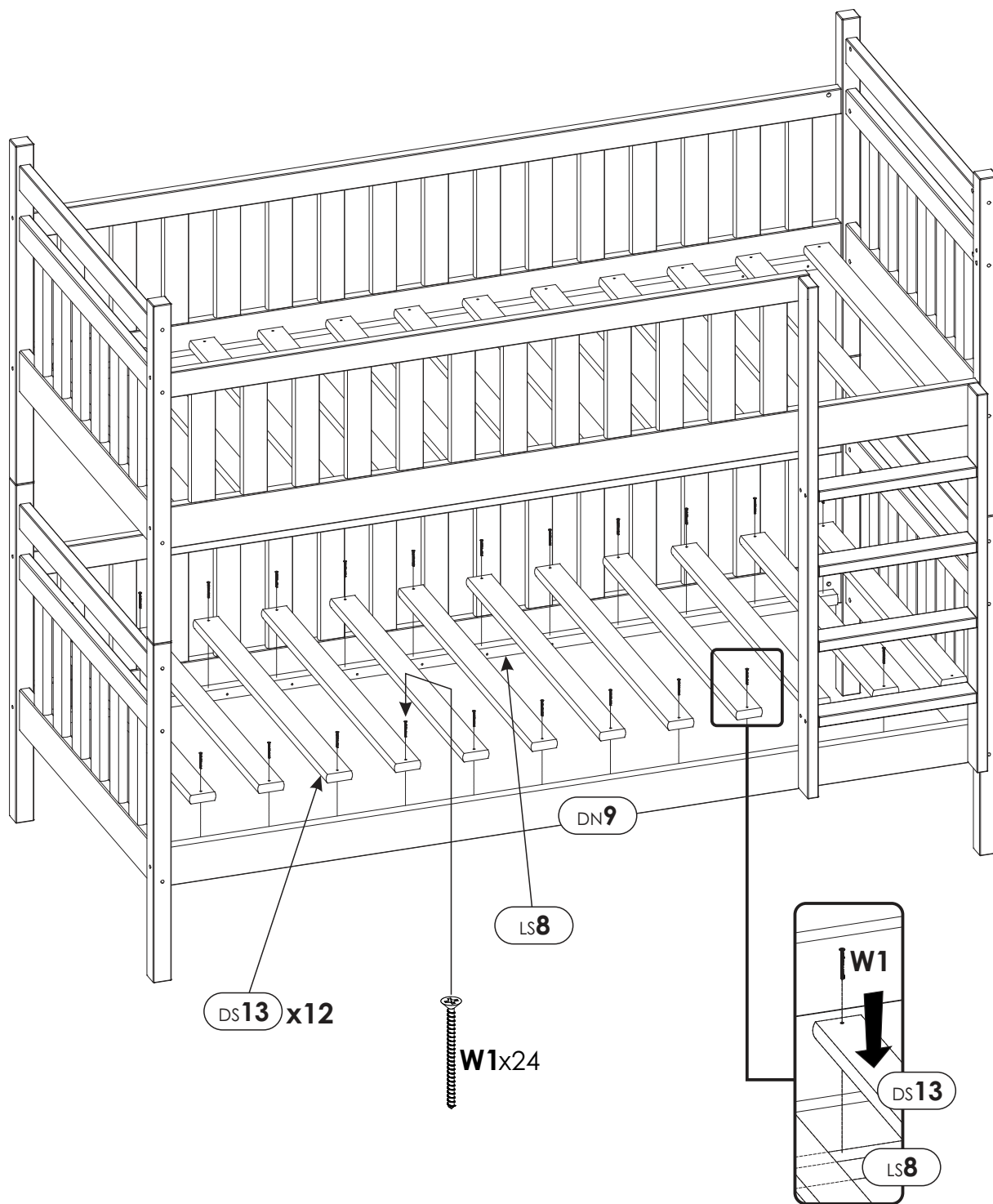
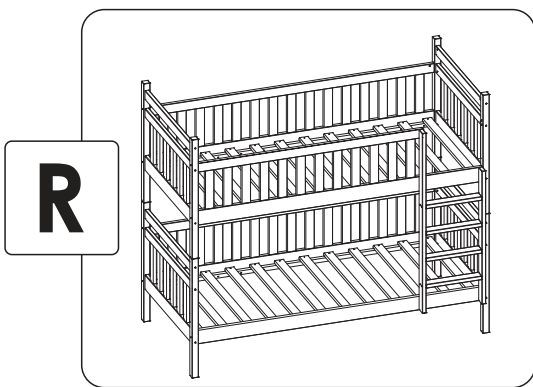


30.

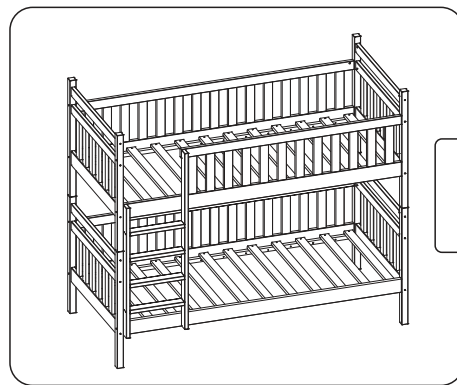
R



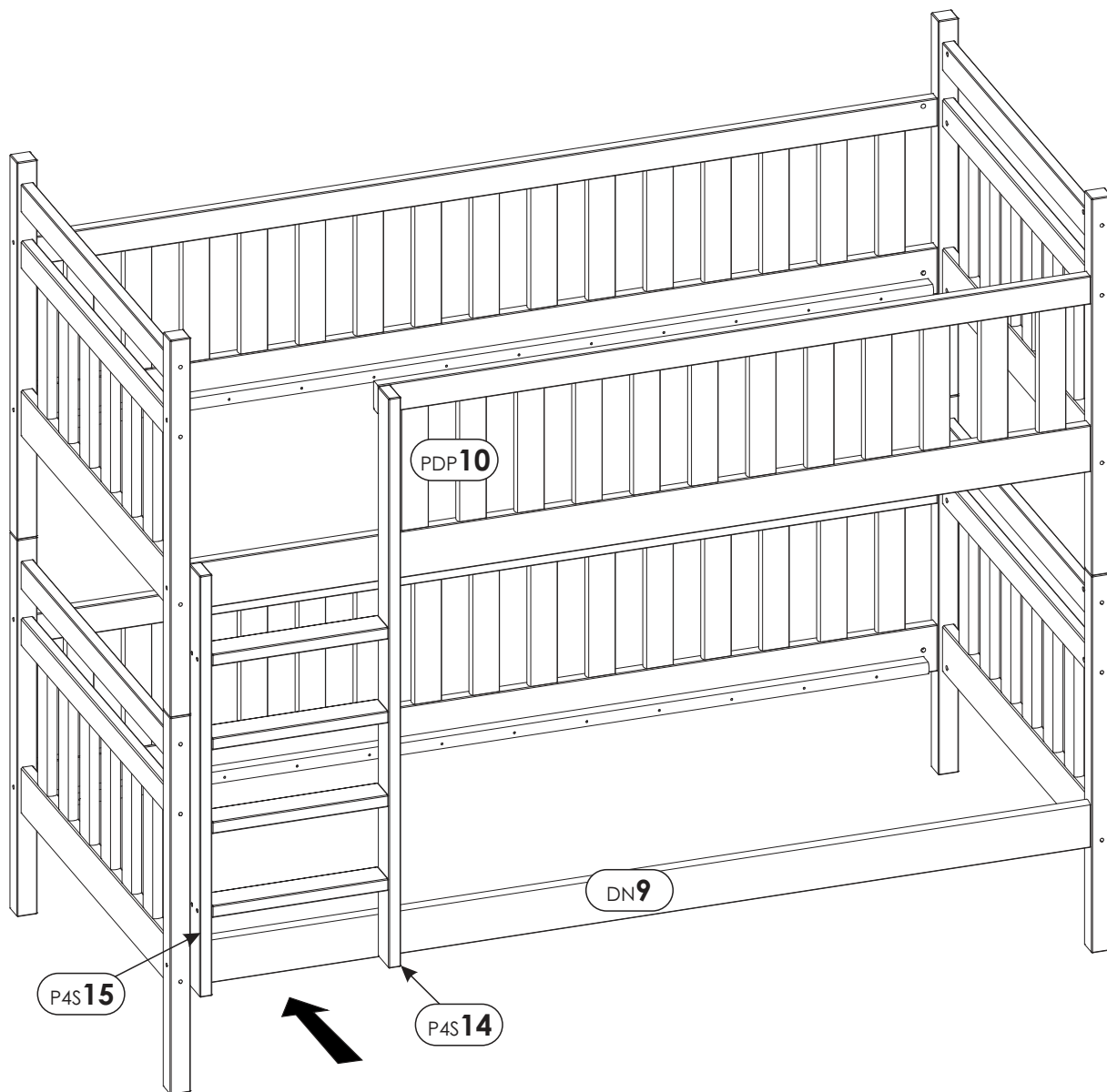
31.



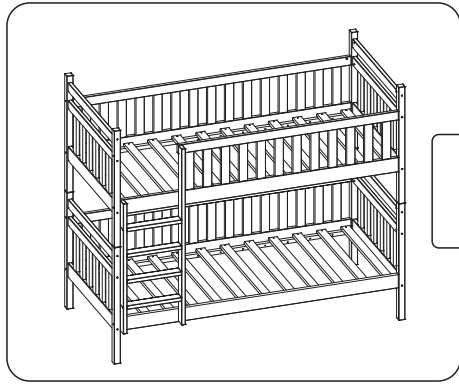
32.



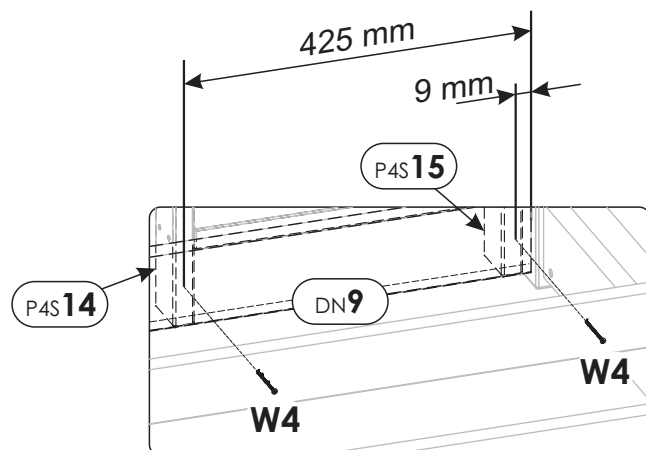
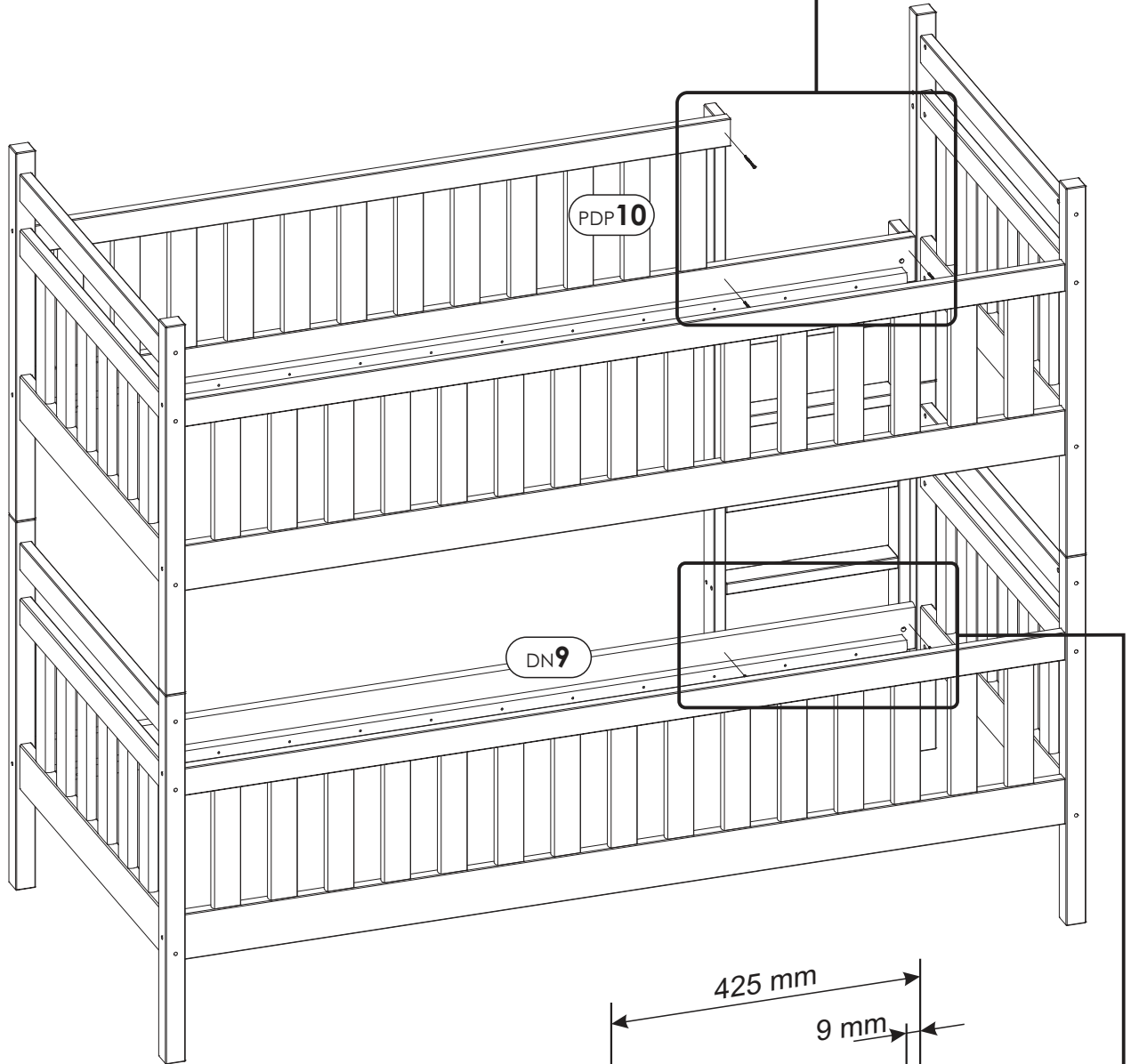
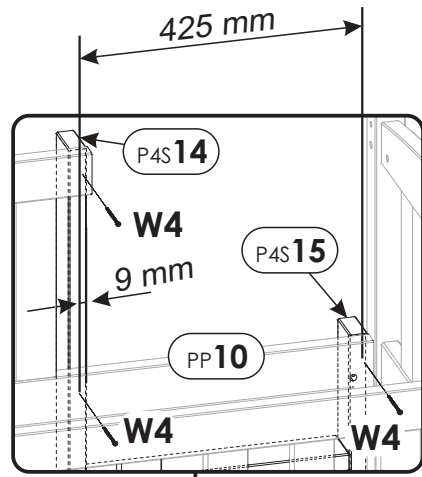
L



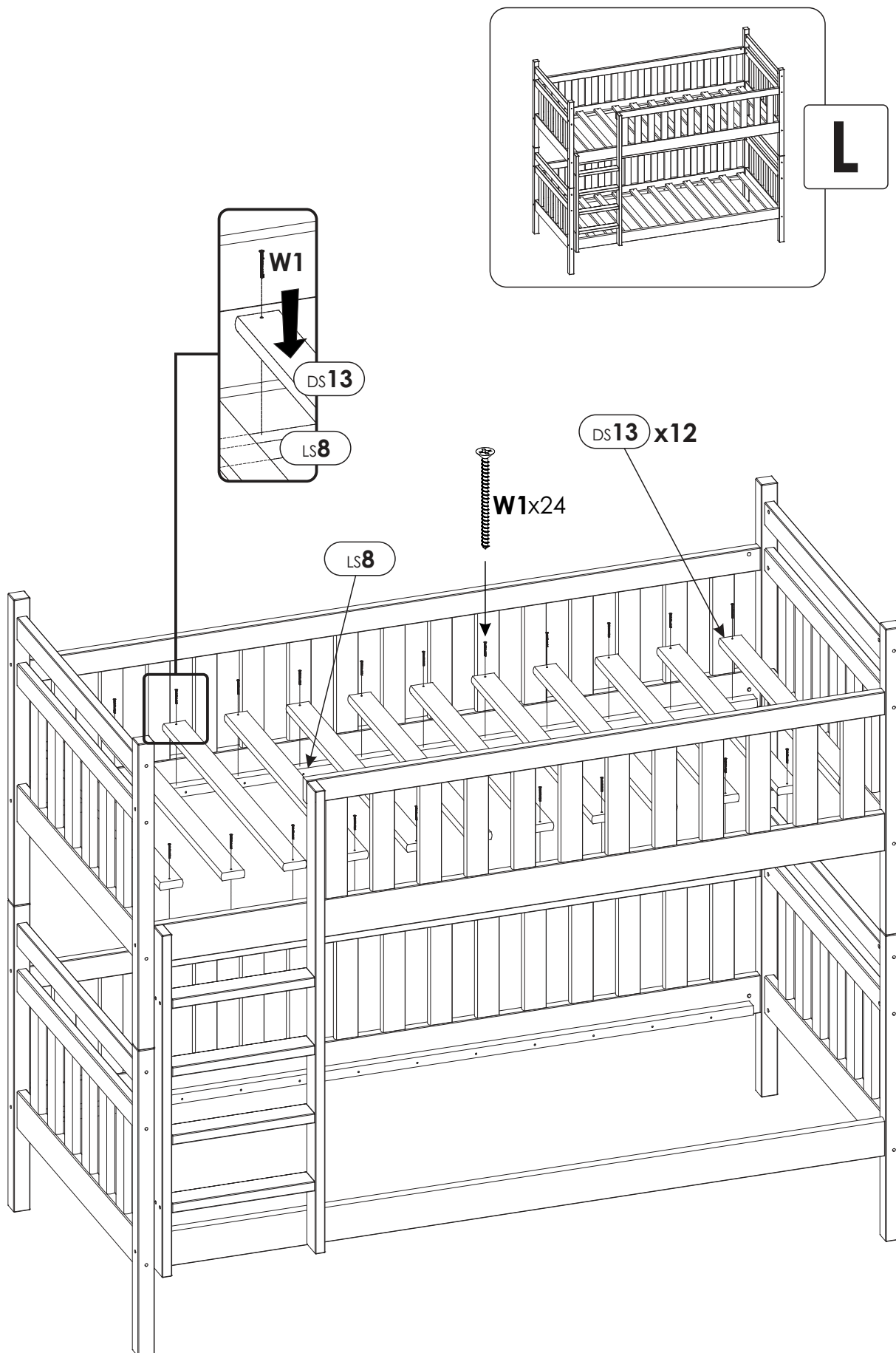
33.



L



34.



35.

