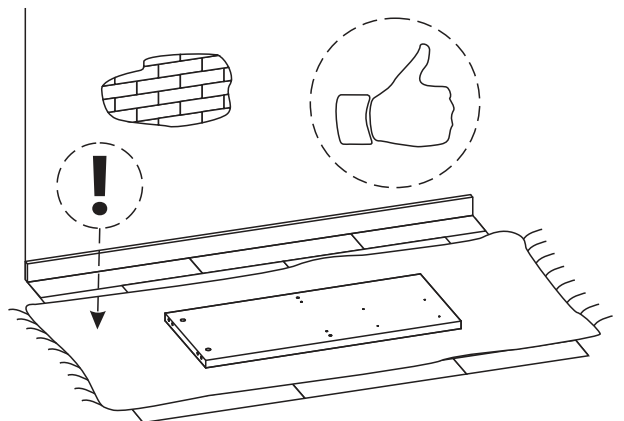
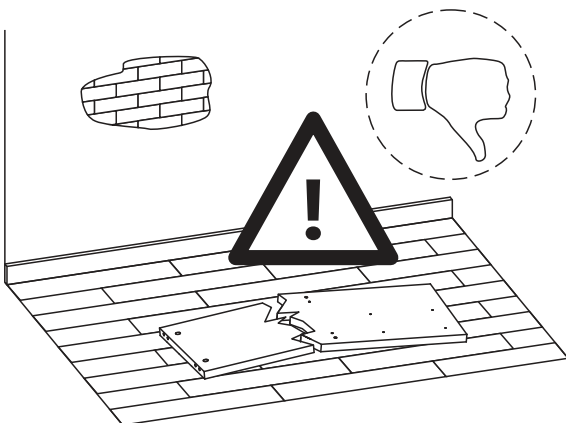
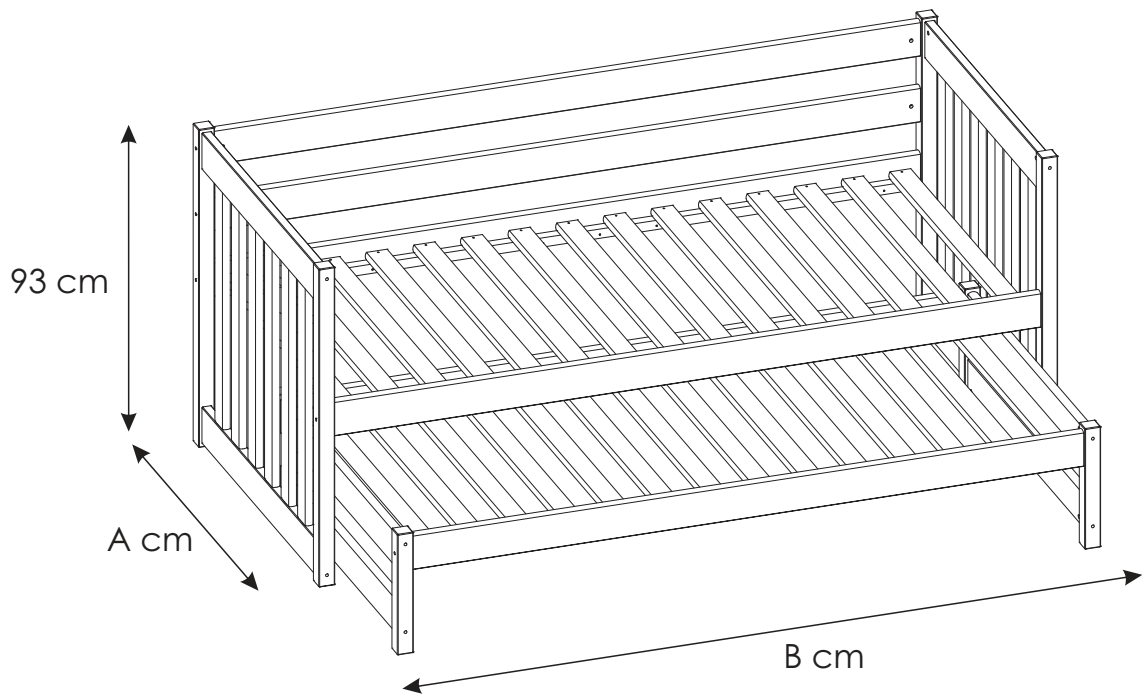
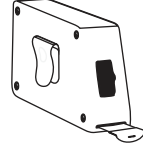
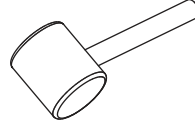
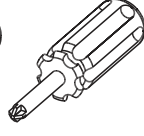
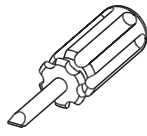
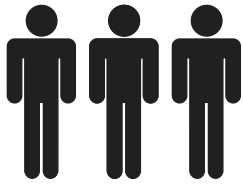
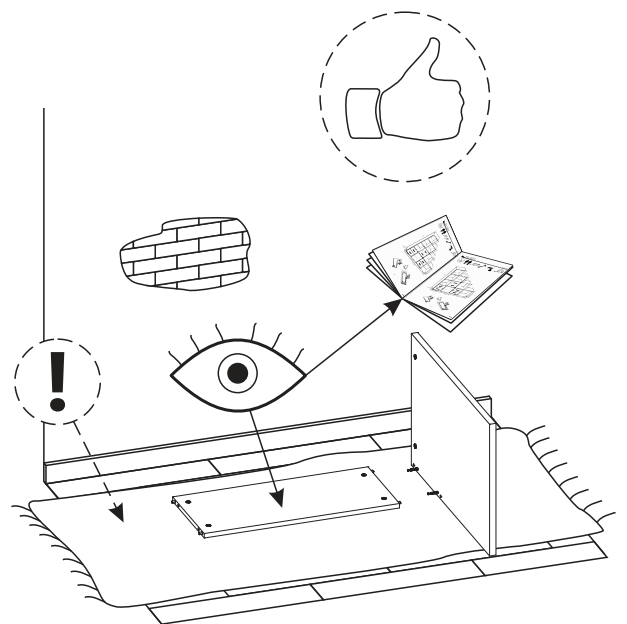
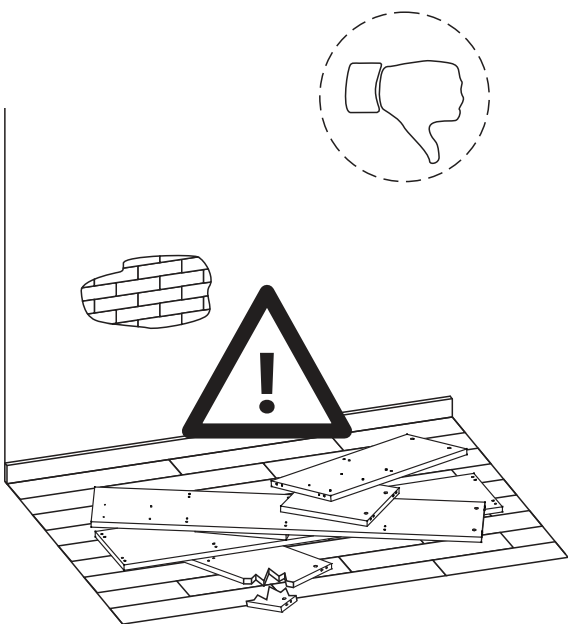
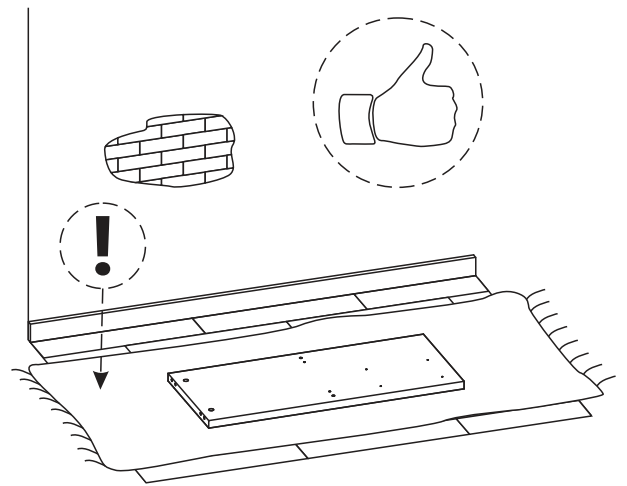
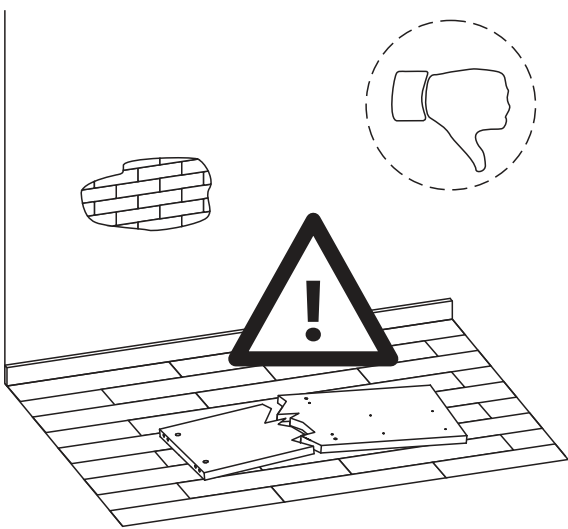
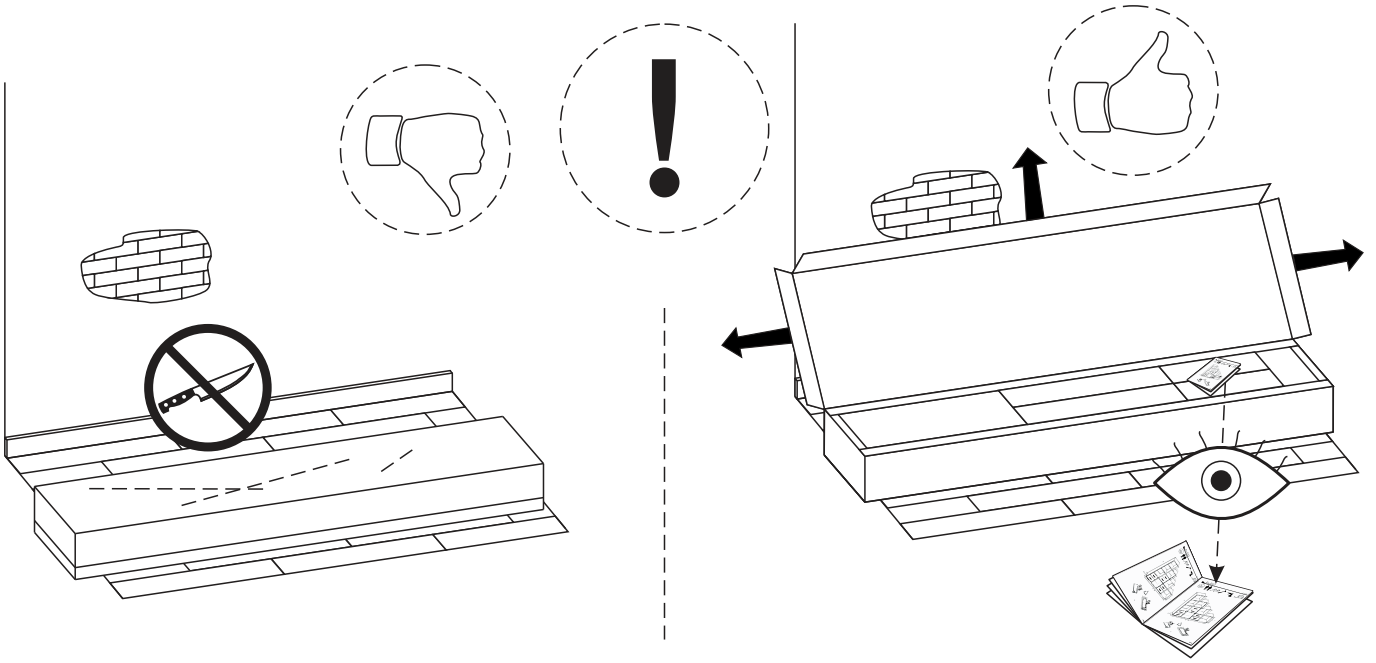
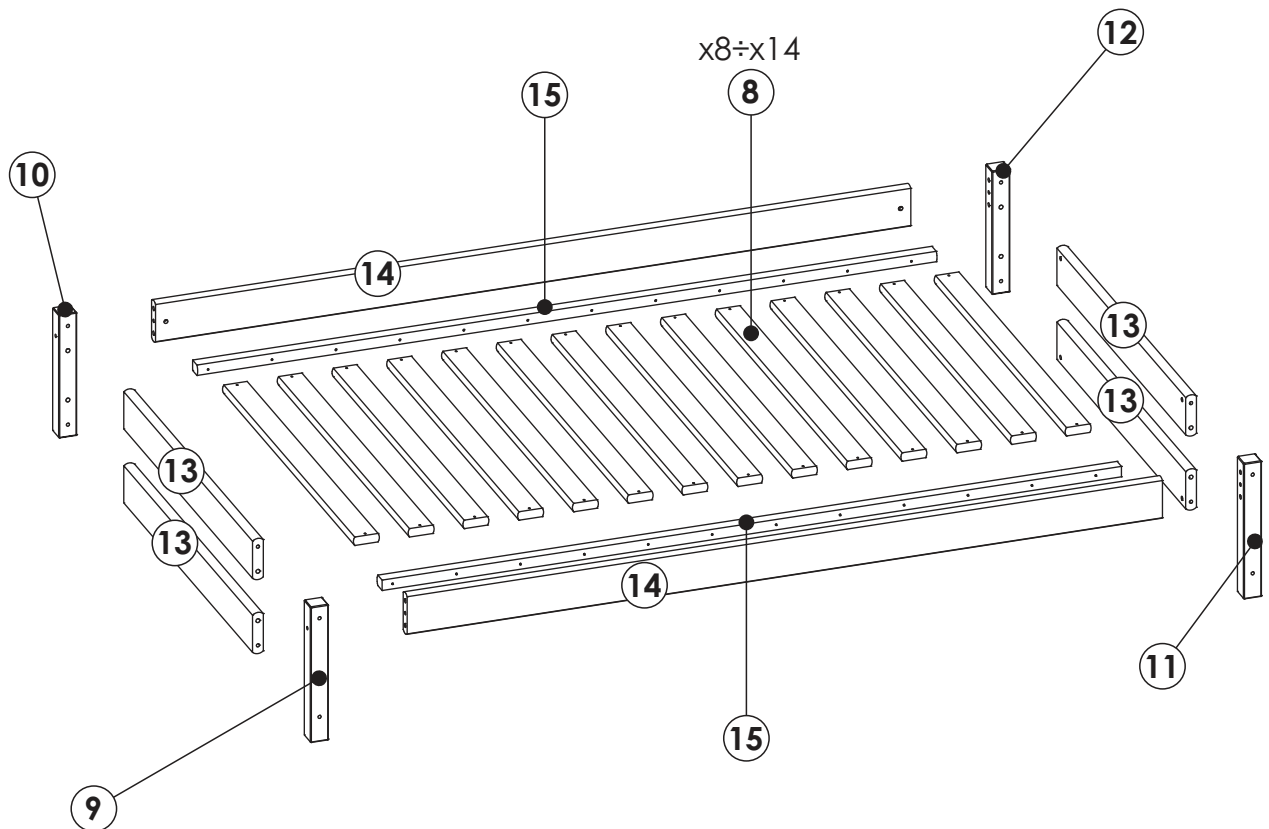
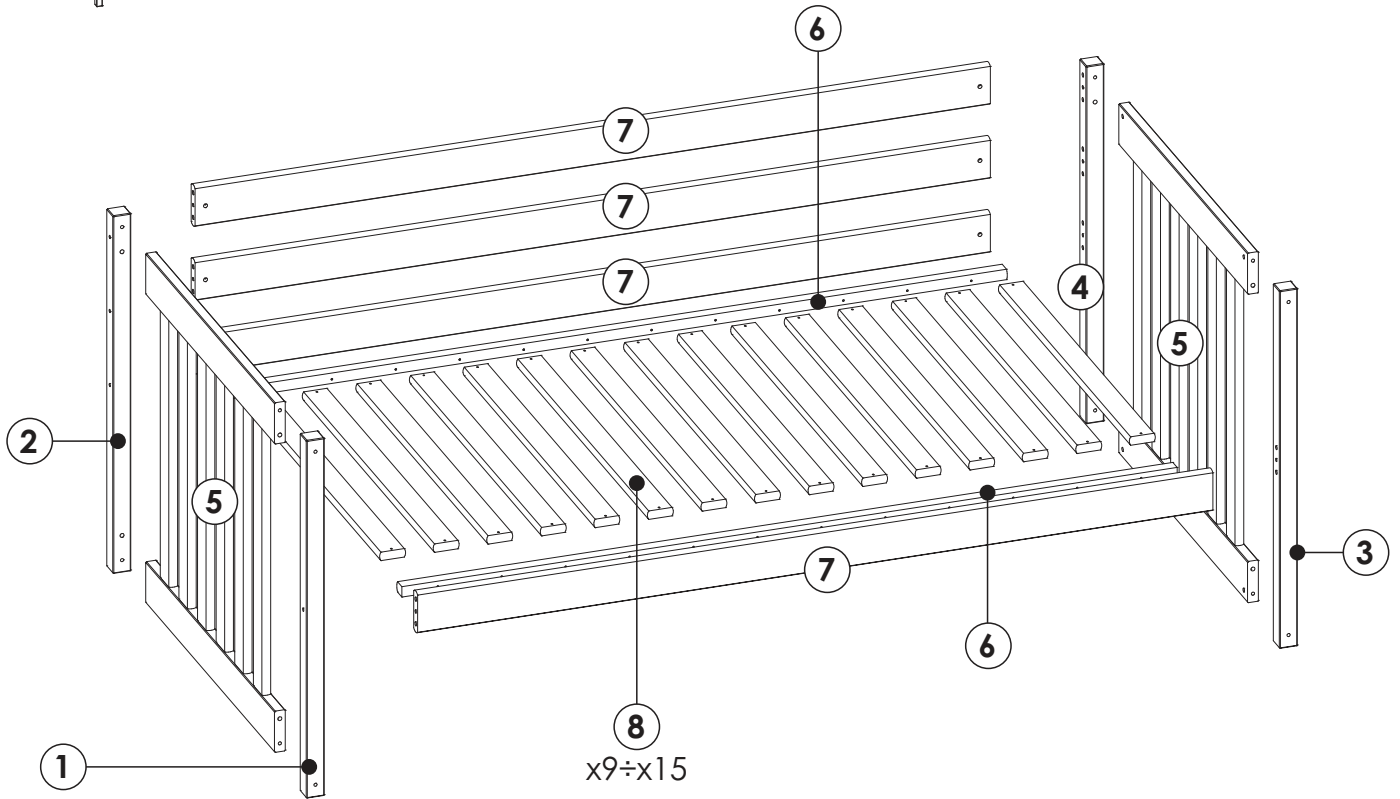
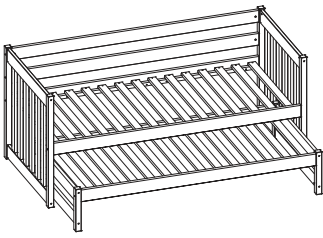


# MILENA





# MILENA



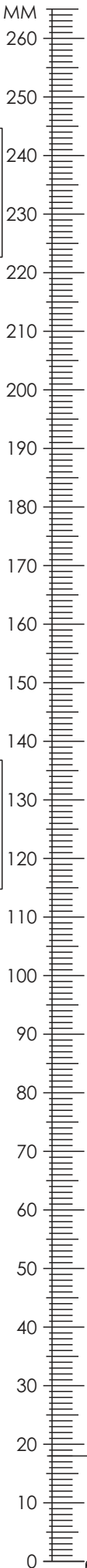
# MILENA

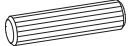
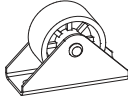



<b>NPL1</b>	928	45	45	x1	MLNPL_02160
<b>NTL2</b>	928	45	45	x1	MLNTL_02180
<b>NPP3</b>	928	45	45	x1	MLNPP_02170
<b>NTP4</b>	928	45	45	x1	MLNTP_02190
<b>PBP5</b>	585, 685, 785, 885, 985	693	27	x2	PS_00470 DP_00480
<b>LS6</b>	1140, 1340, 1540, 1640, 1740, 1840, 1940	35	27	x2	LS_00160
<b>DN7</b>	1190, 1390, 1590, 1690, 1790, 1890, 1990	107	27	x4	DN_00110
<b>WPL9</b>	352	45	45	x1	NWPL_01060
<b>WTL10</b>	320	45	45	x1	NWTL_01080
<b>WPP11</b>	352	45	45	x1	NWPP_01070
<b>WTP12</b>	320	45	45	x1	NWTP_01090
<b>DST13</b>	585, 685, 785, 885, 985	107	27	x4	DST_00120
<b>DND14</b>	1090, 1290, 1490, 1590, 1690, 1790, 1890	107	27	x2	DN_00110
<b>LSD15</b>	1050, 1250, 1450, 1550, 1650, 1750, 1850	35	27	x2	LS_00160

## OPTION


<b>DS8</b>	B=2000	600, 700, 800, 900, 1000	65	22	x29	DS_00170
	B=1900				x27	
	B=1800				x26	
	B=1700				x25	
	B=1600				x23	
	B=1400				x20	
	B=1200				x17	


# MILENA



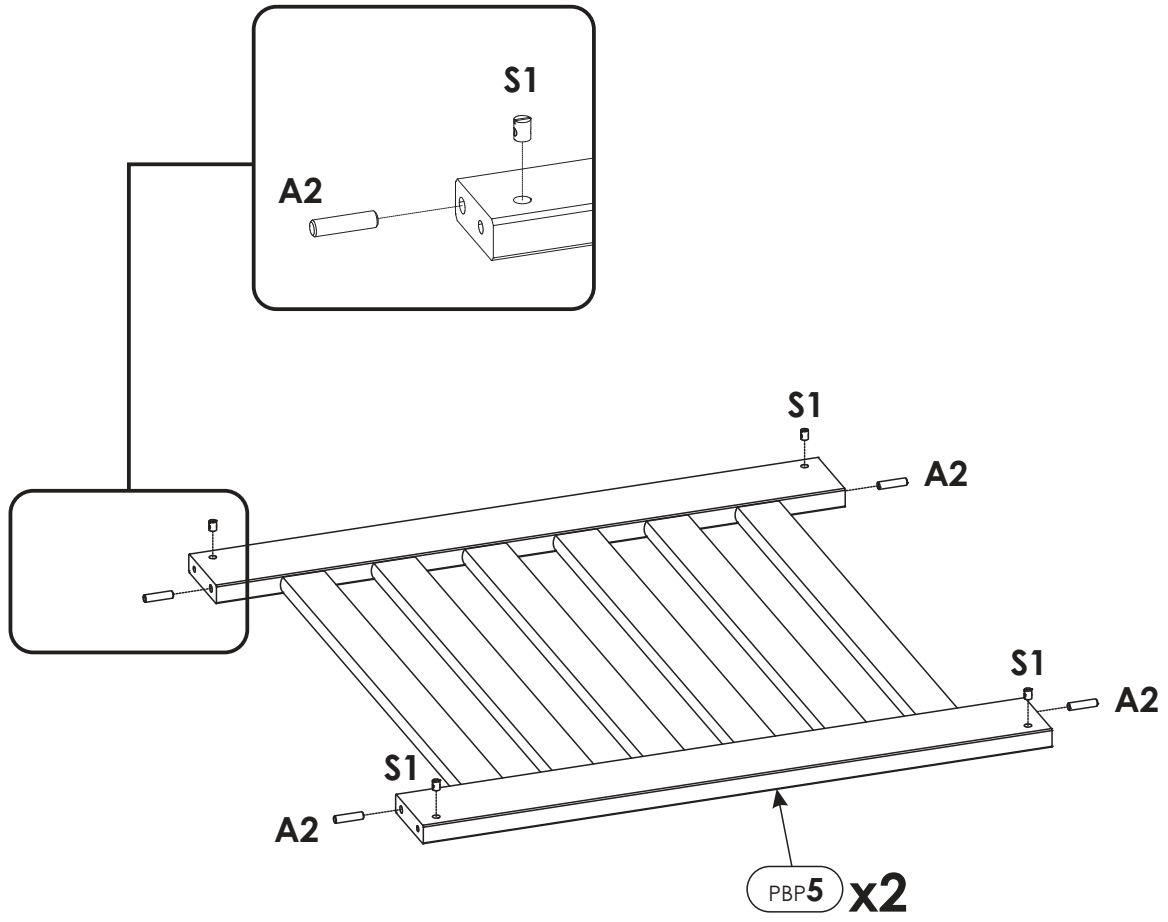
<p><b>A2</b> akc_0002</p>  <p>10 x 40 mm</p> <p style="text-align: right;"><b>x40</b></p>	<p><b>J1</b> akc_0016</p>  <p style="text-align: right;"><b>x2</b></p>	<p><b>M</b> akc_0005</p>  <p style="text-align: right;"><b>x1</b></p>
<p><b>N1</b> akc_0006</p>  <p>6 x 80 mm</p>	<p><b>S1</b> akc_0008</p>  <p>10 x 16 mm</p> <p style="text-align: right;"><b>x28</b></p>	

----- **OPTION** -----

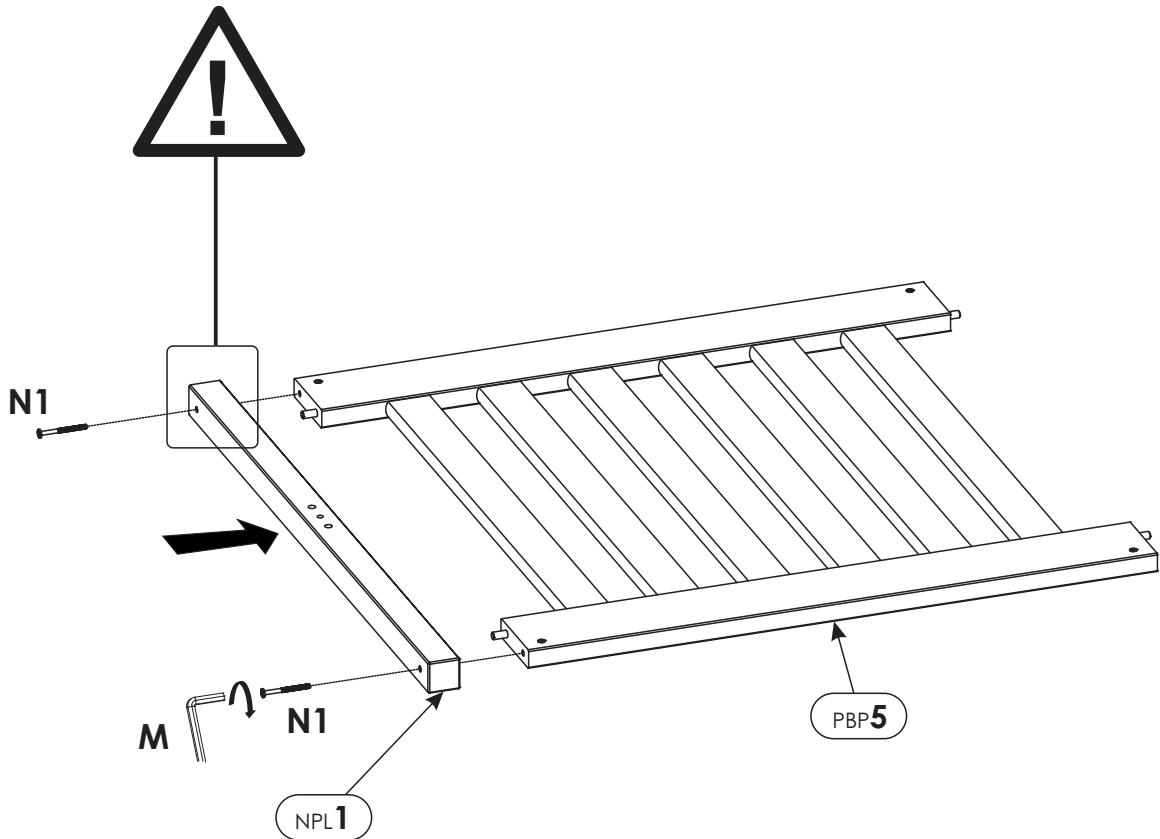
<p><b>W1</b> akc_0009</p>  <p>3,5 x 40 mm</p> <p style="text-align: right;"><b>38 &lt; x &lt; 62</b></p>
---

<p><b>W3</b> akc_0011</p>  <p>4 x 50 mm</p> <p style="text-align: right;"><b>36 &lt; x &lt; 48</b></p>
---

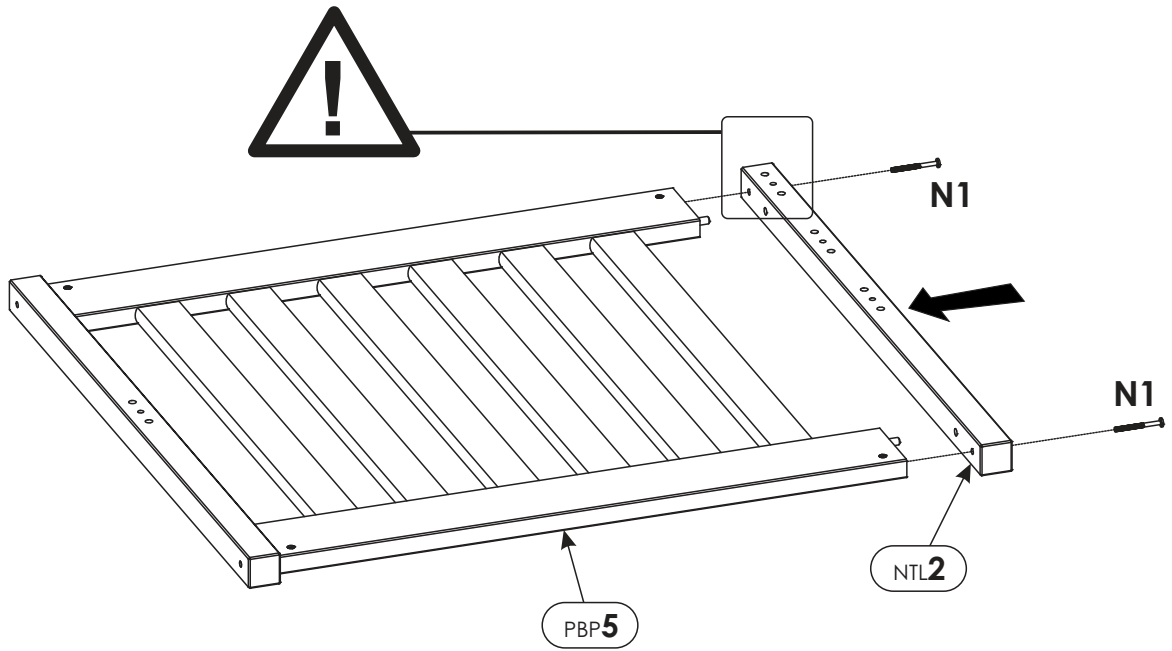
1.



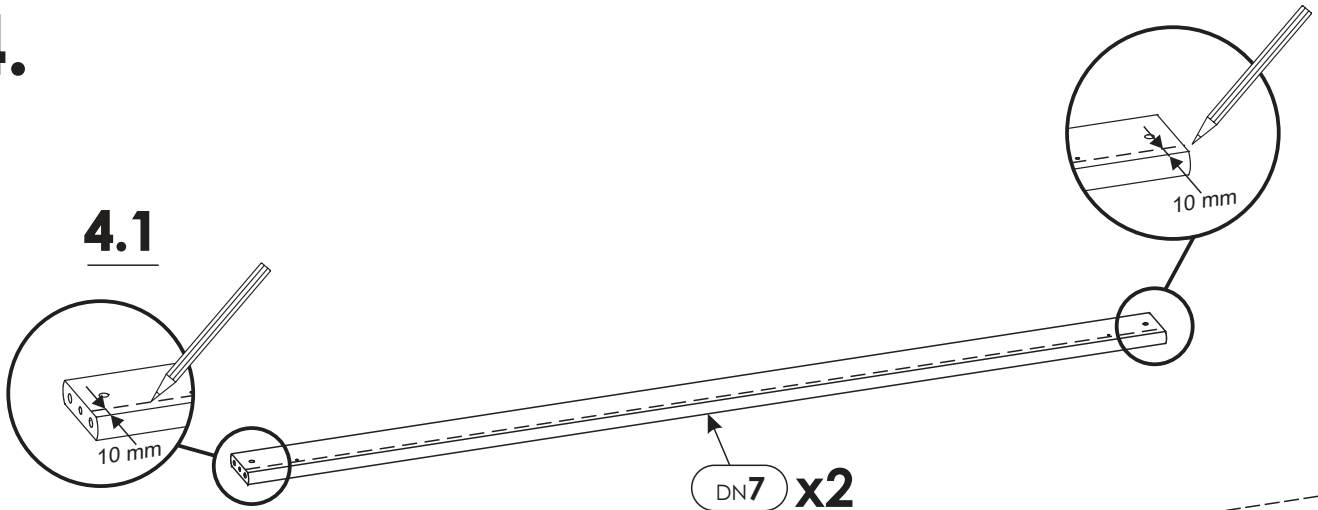
2.



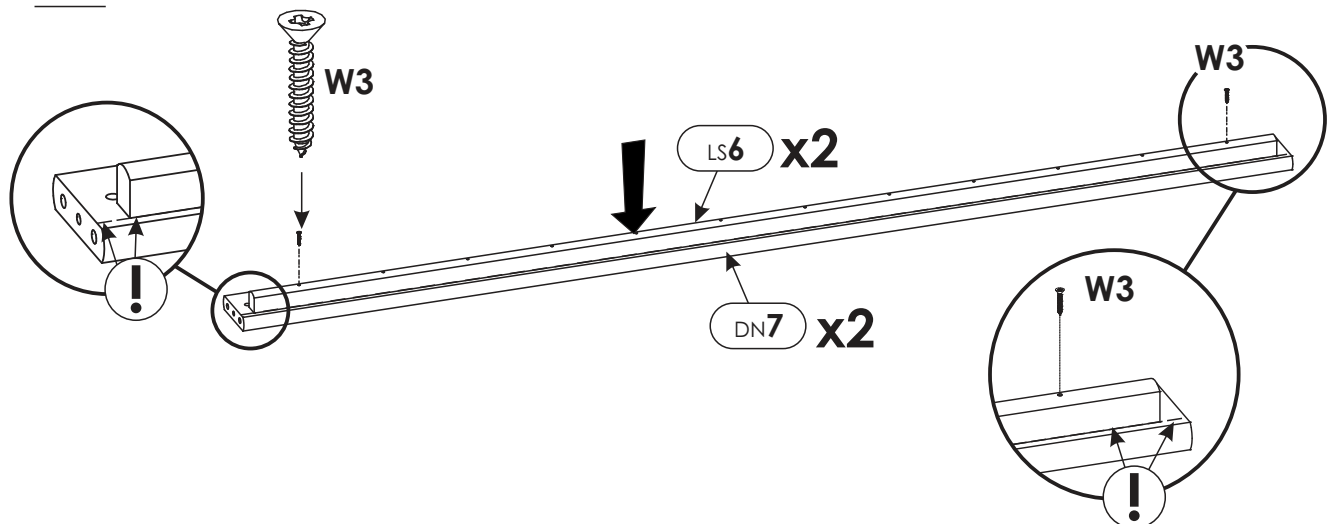
3.



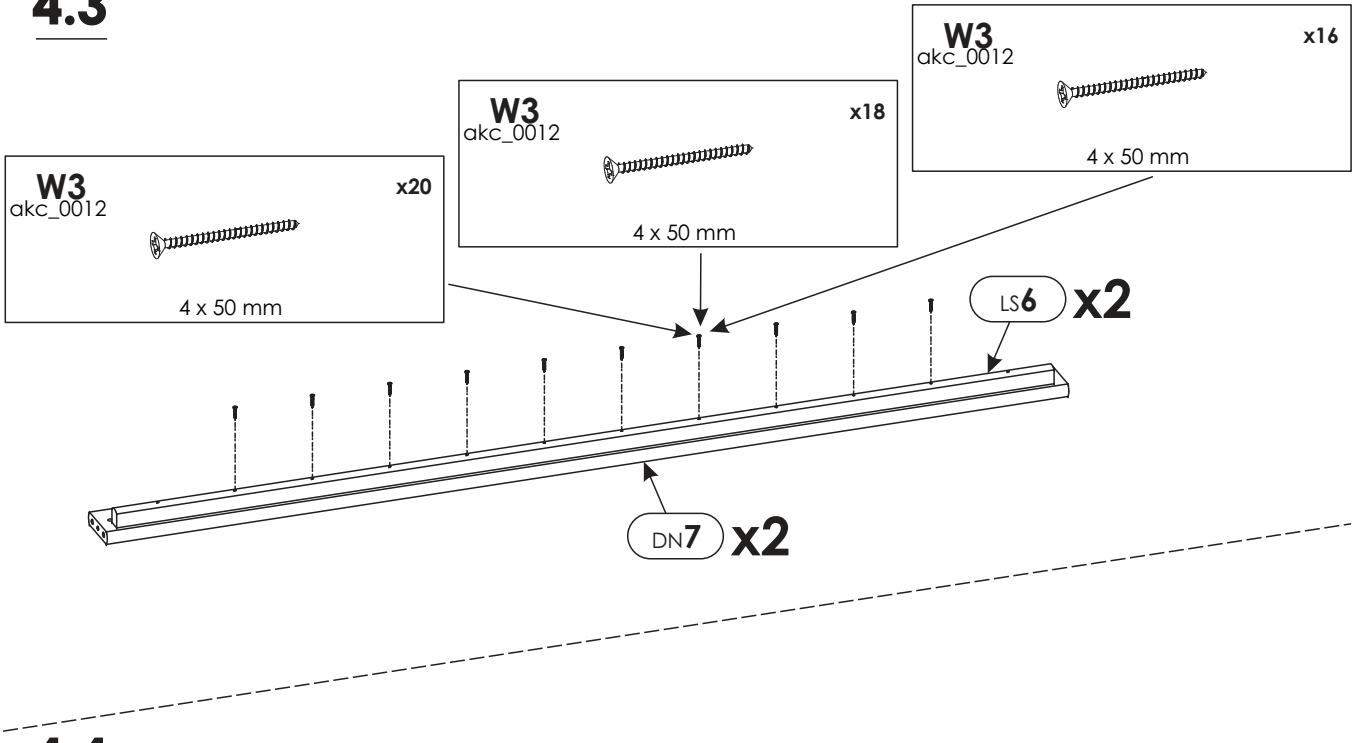
4.



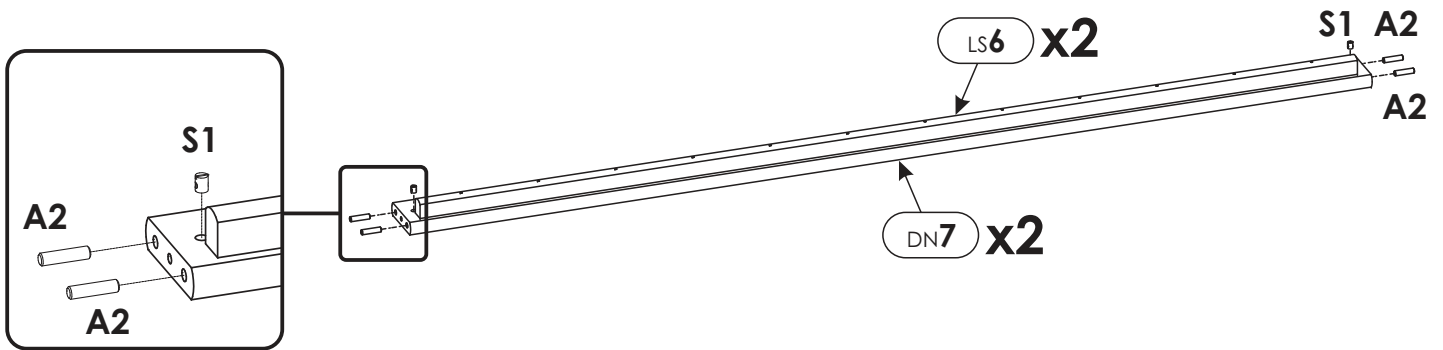
**4.2**



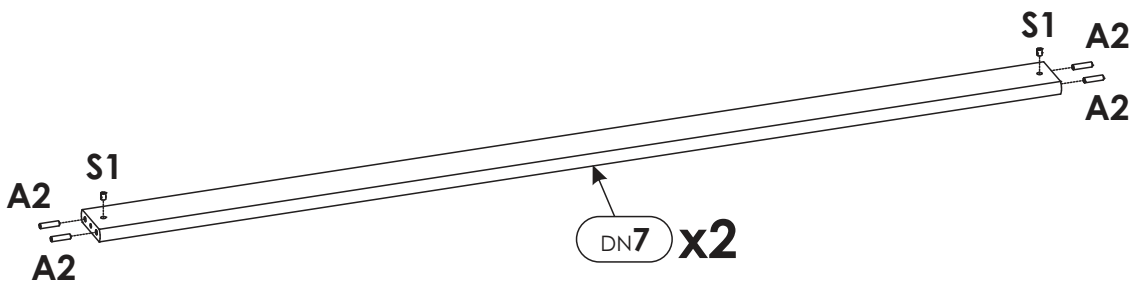
### 4.3



### 4.4

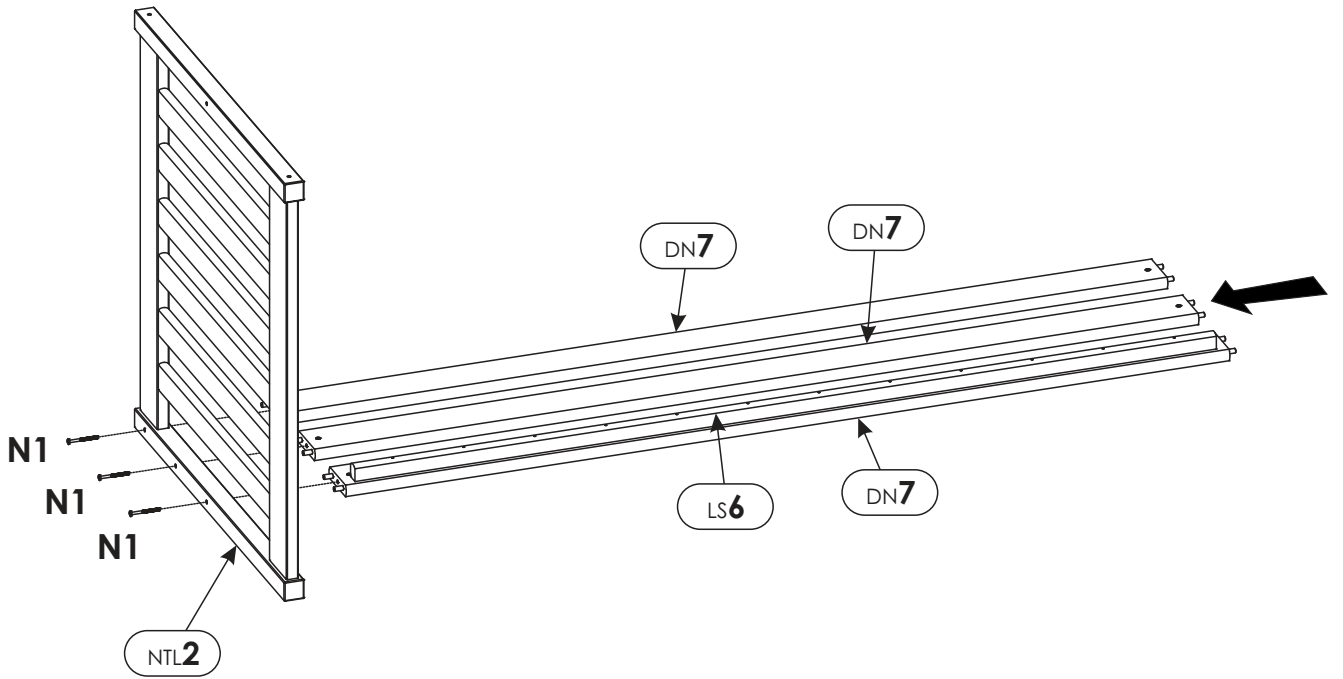


### 5.

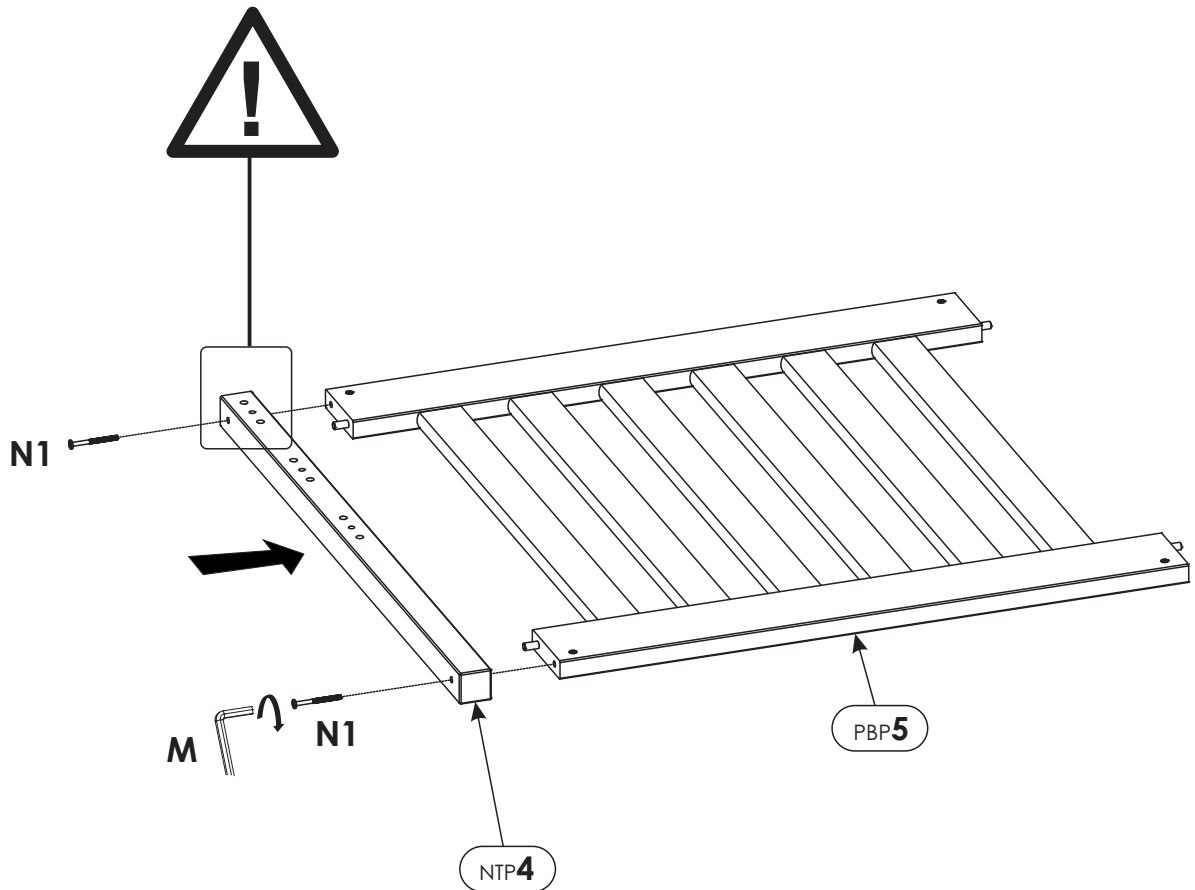




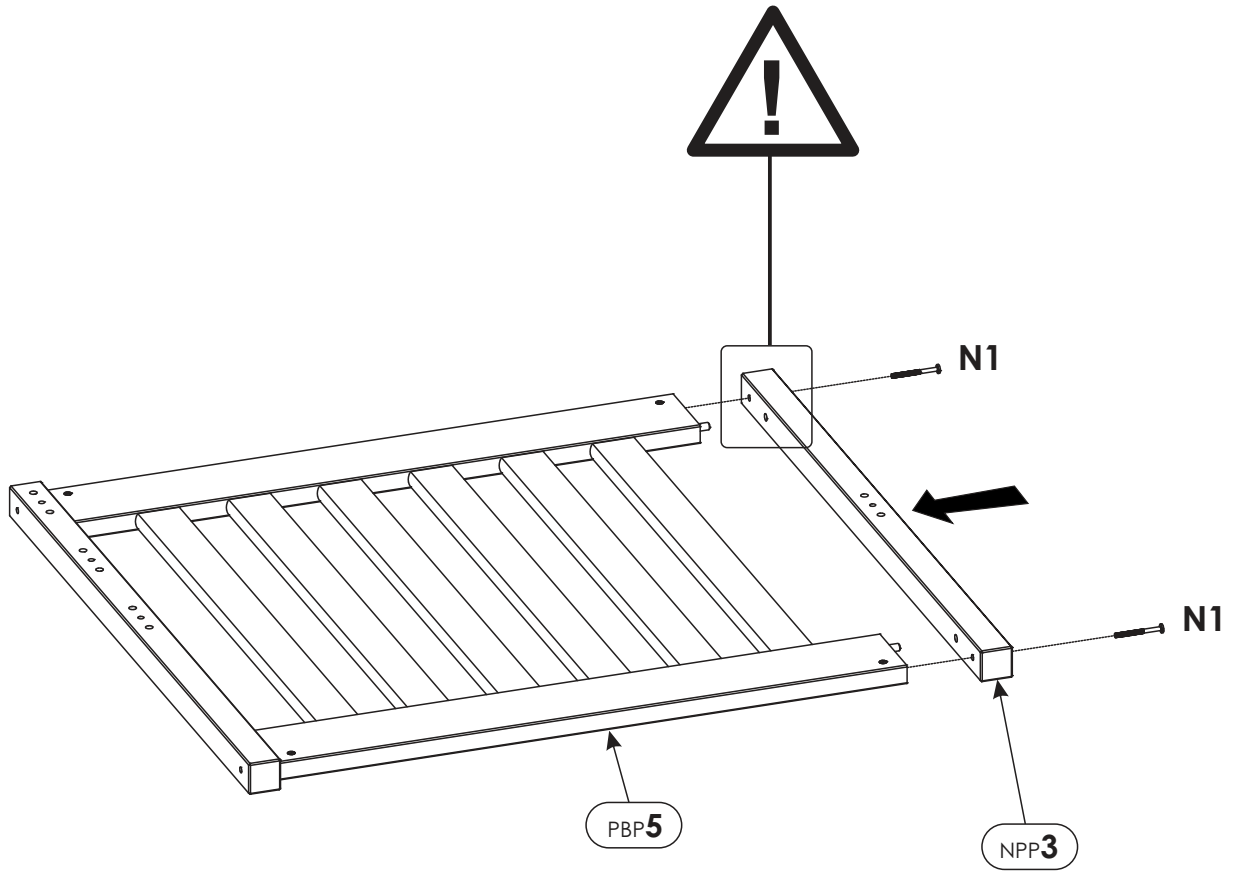
# 6.



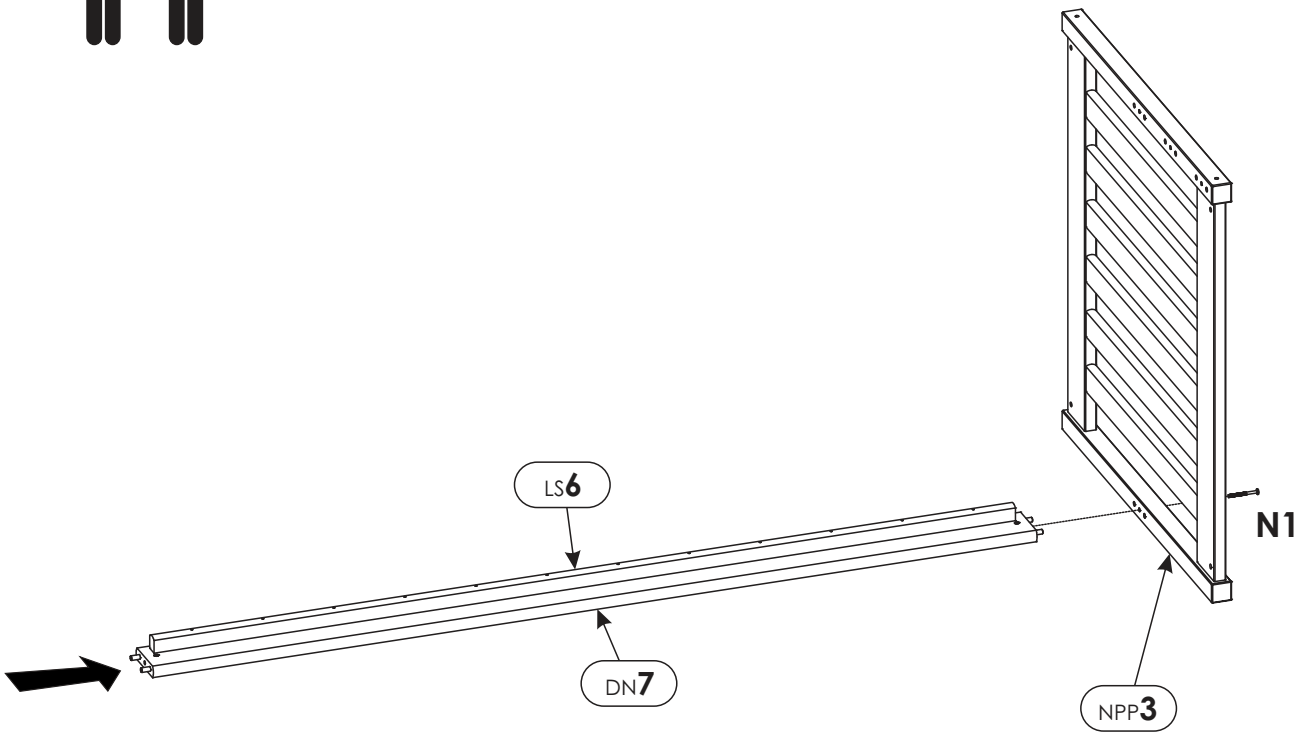
# 7.




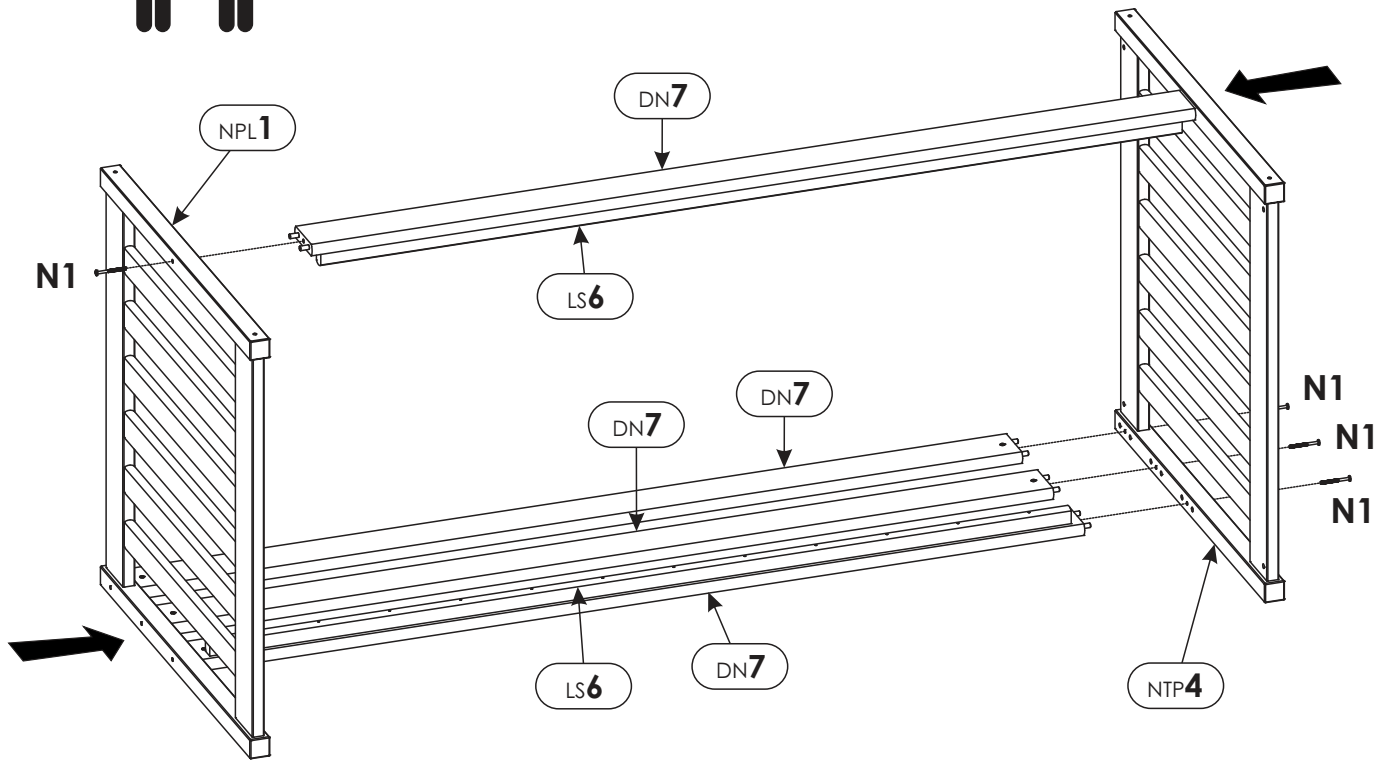
8.



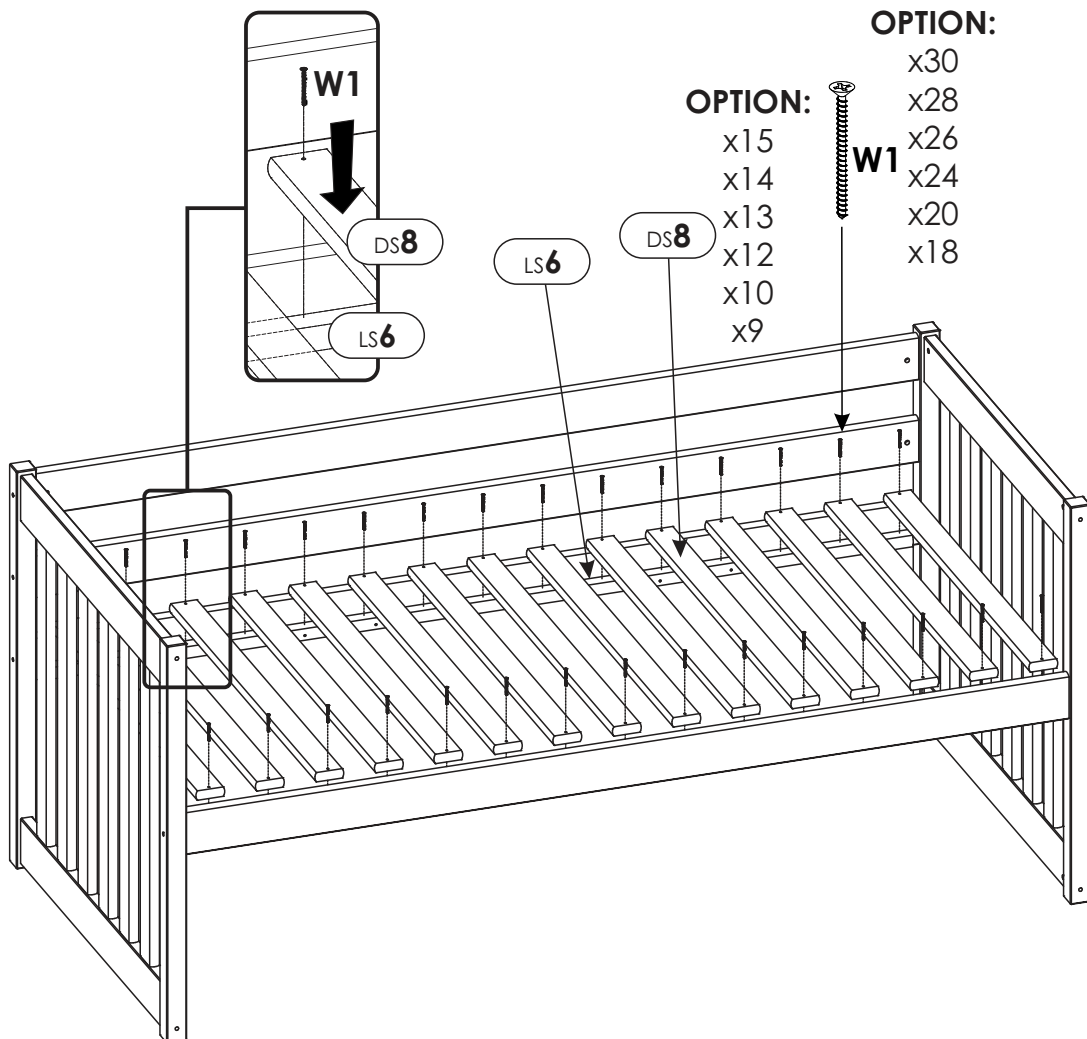
9.



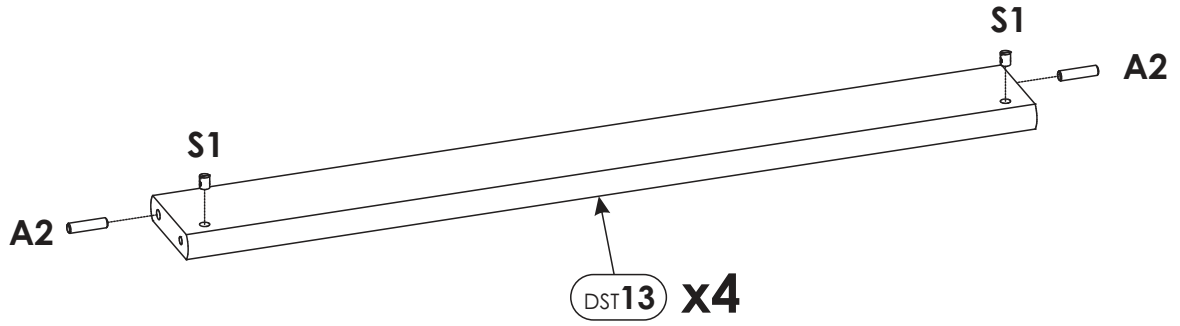
# 10.

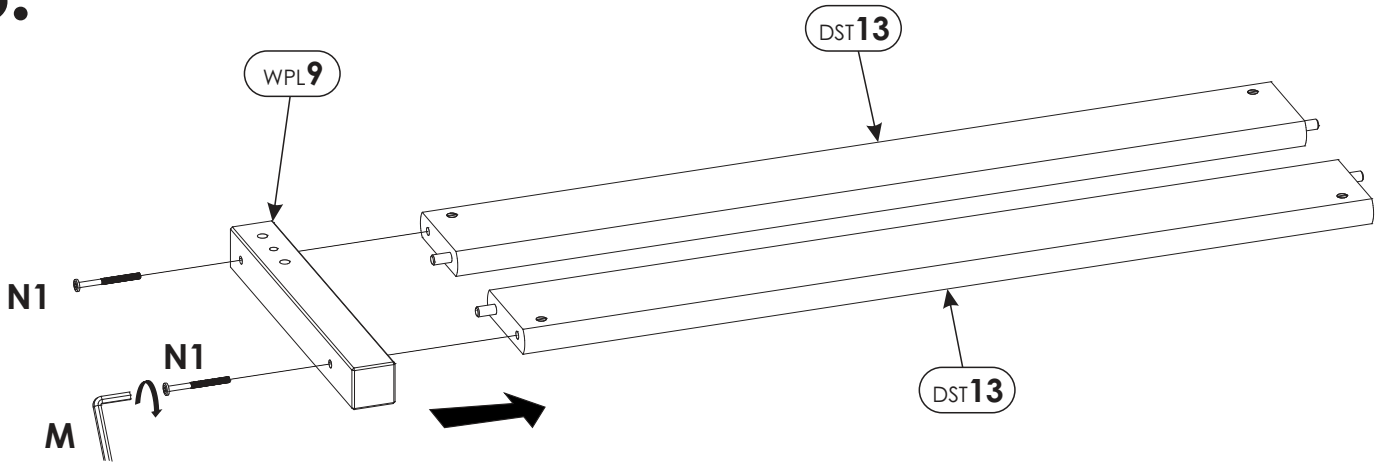
# 11.



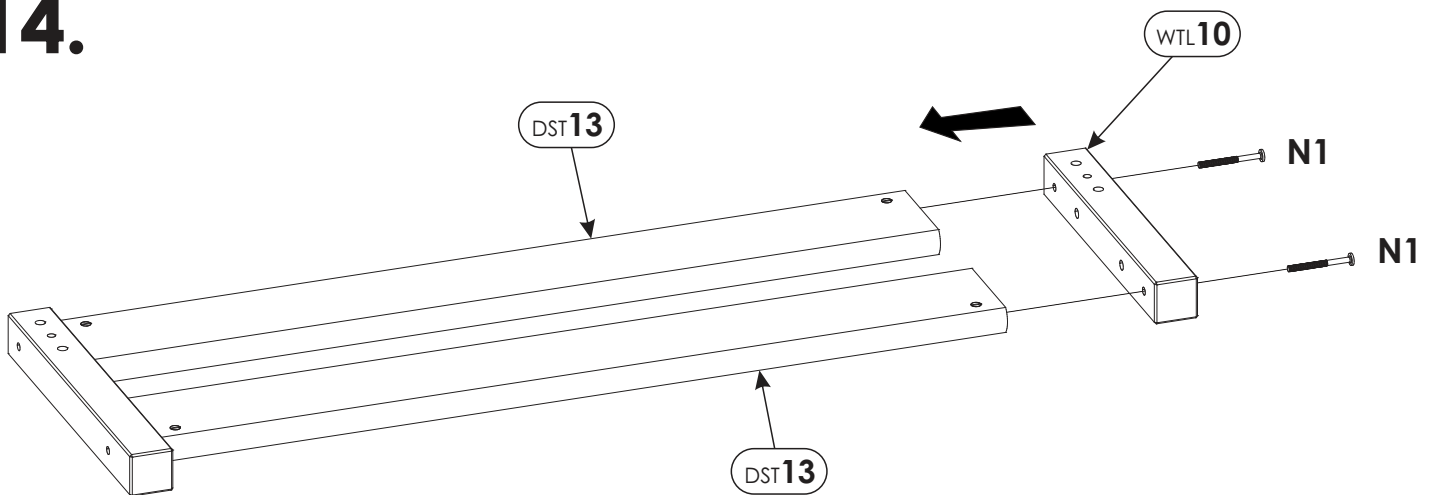
# 12.



# 13.

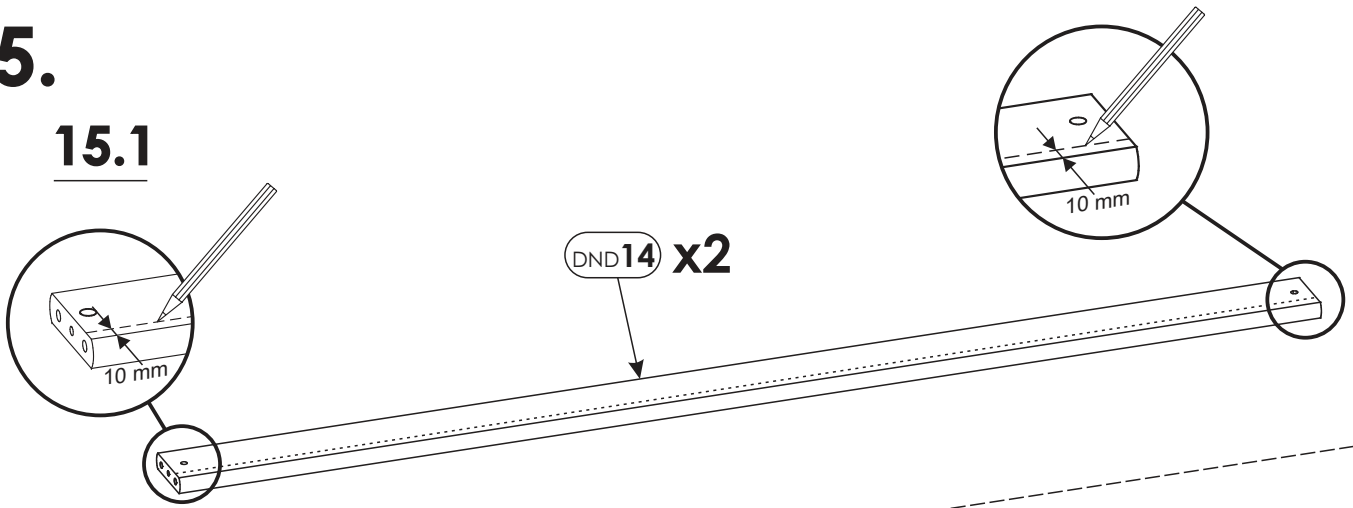


# 14.

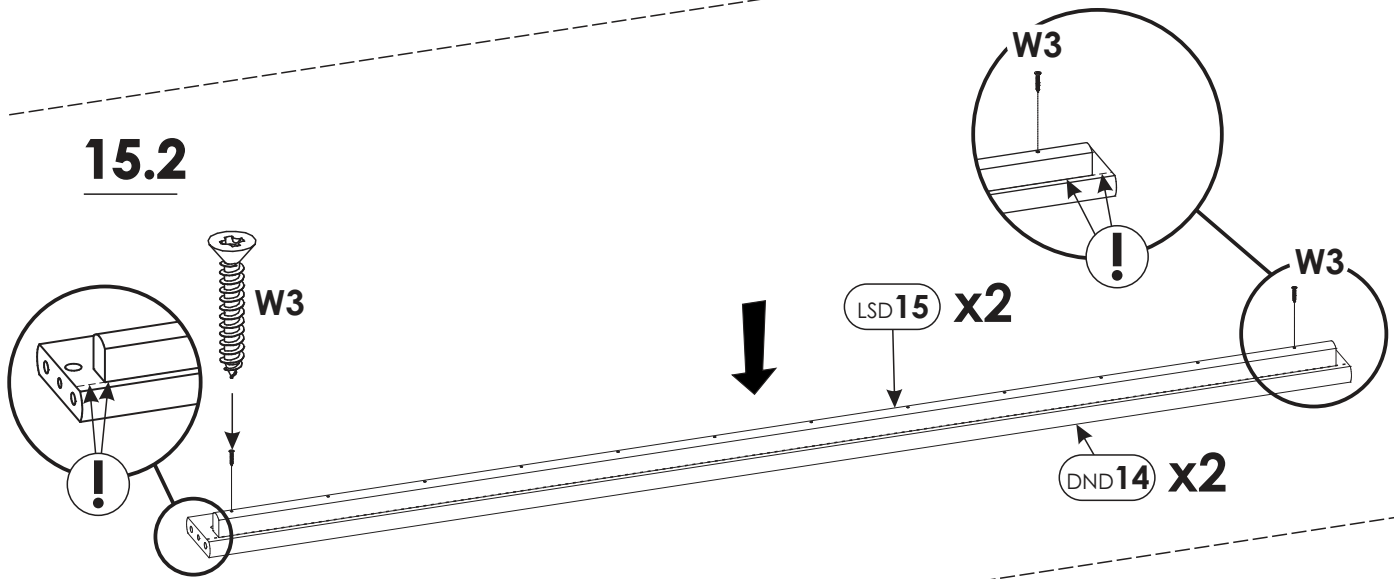


# 15.

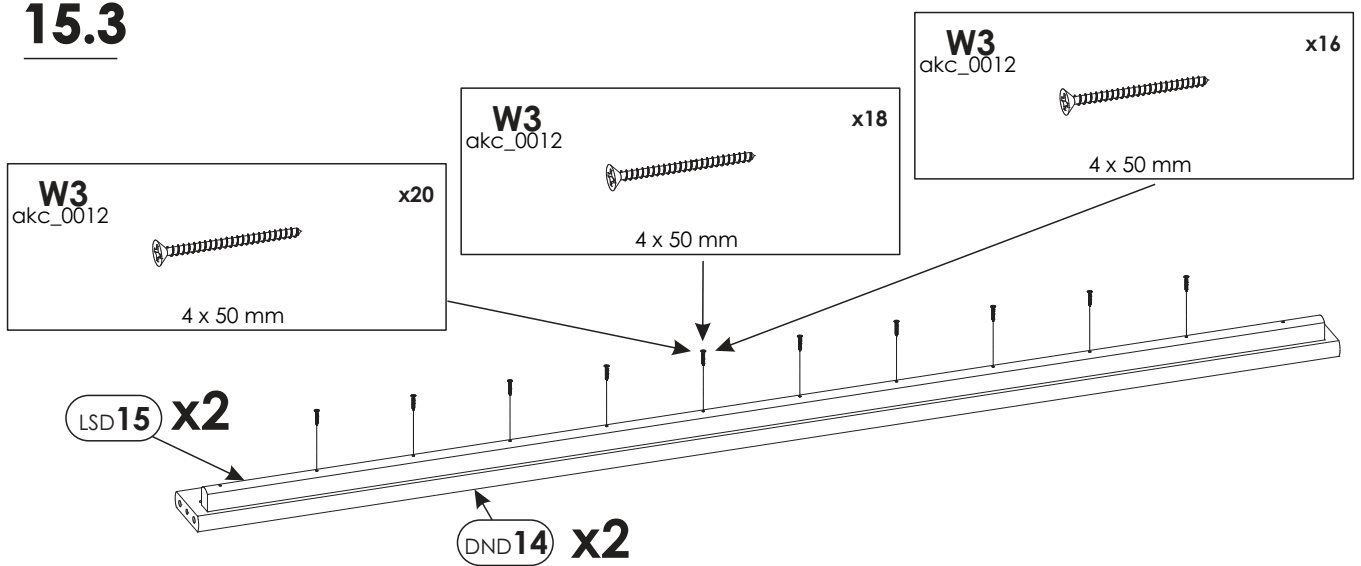
## 15.1



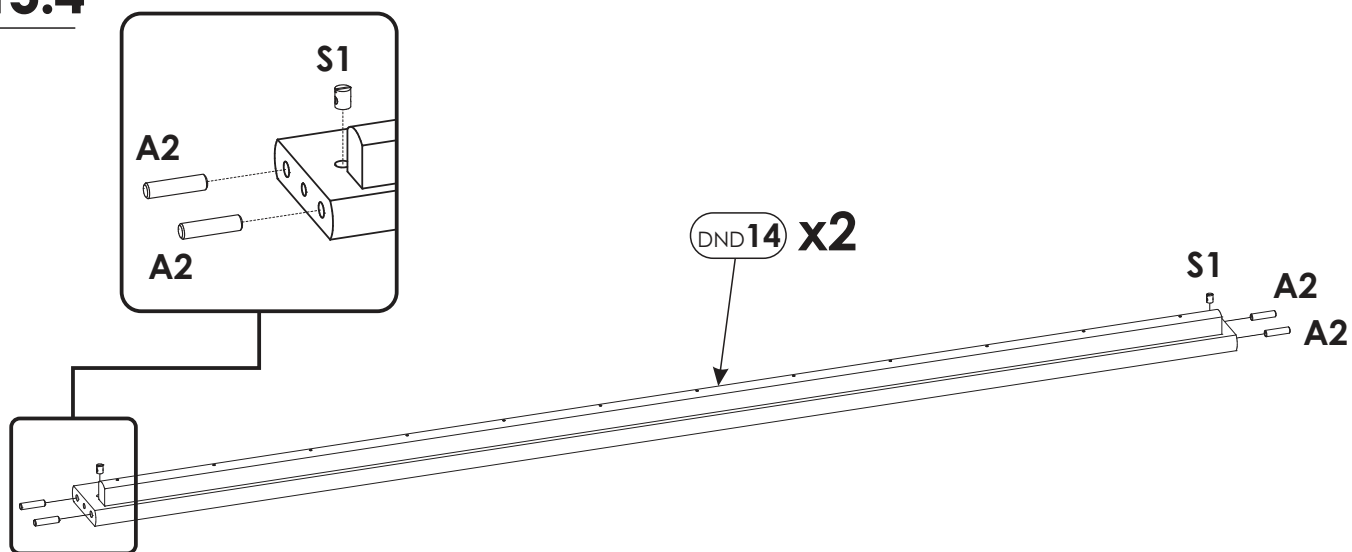
## 15.2



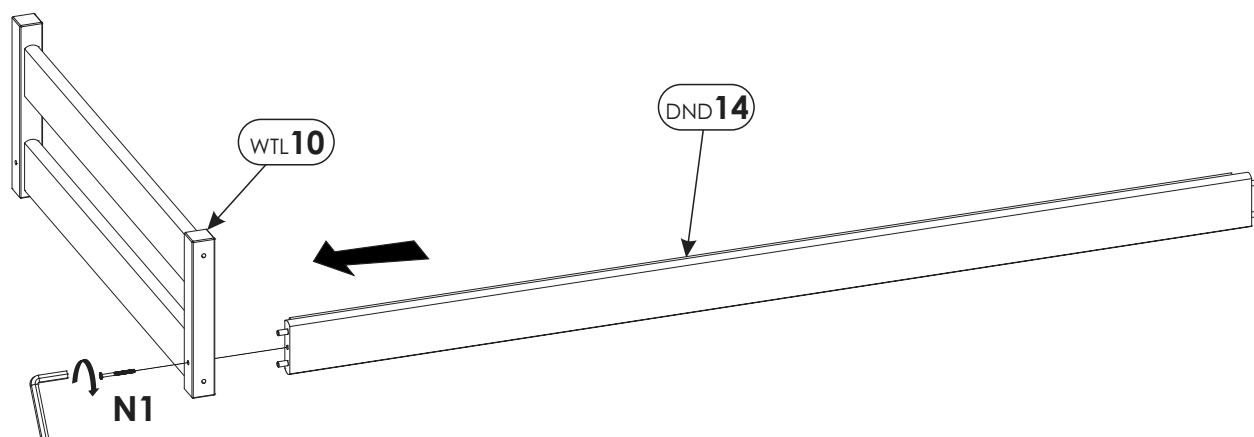
## 15.3



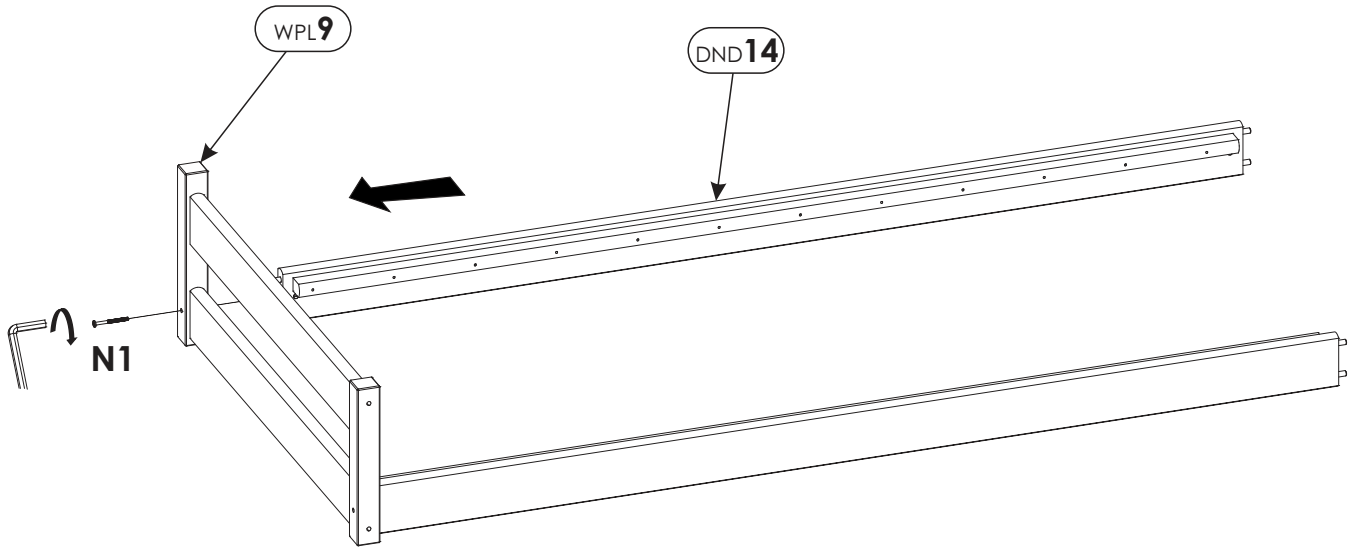
# 15.4



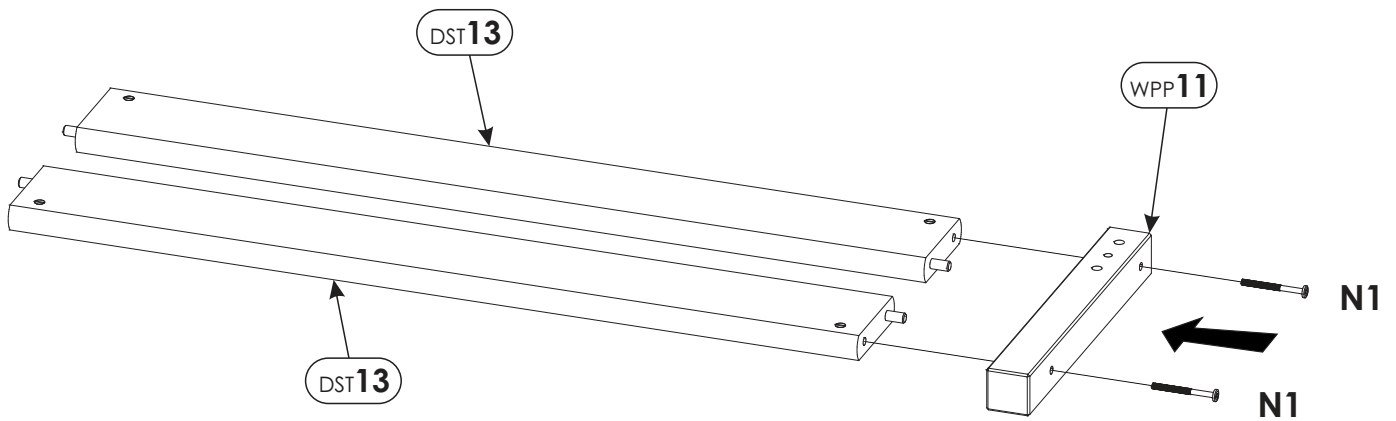
# 16.



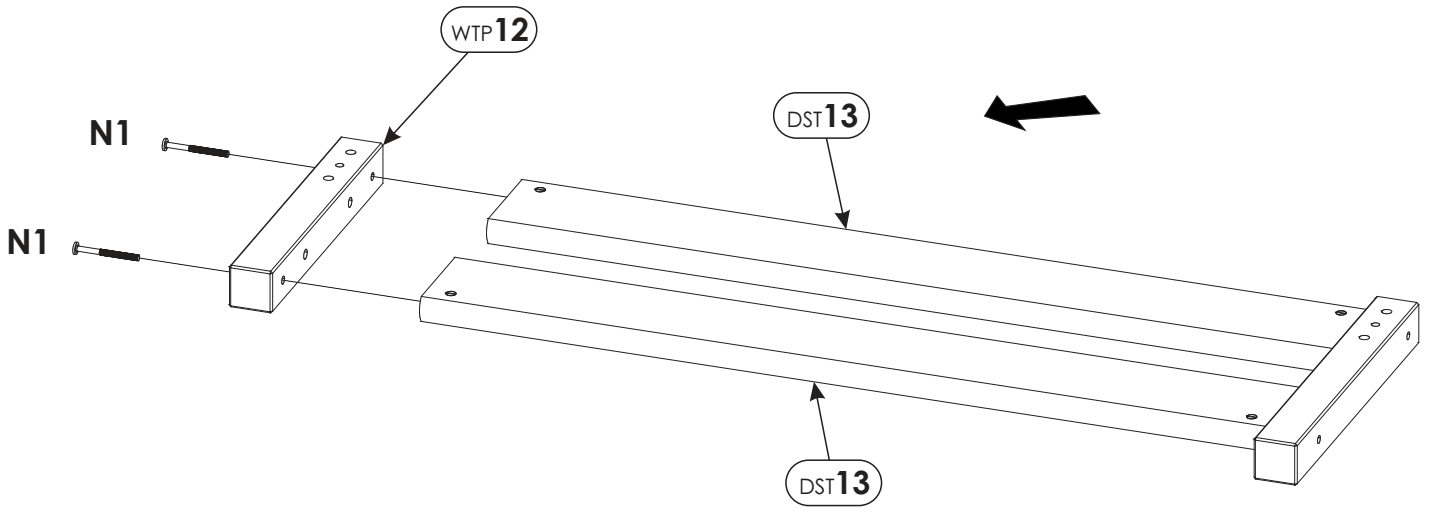
# 17.



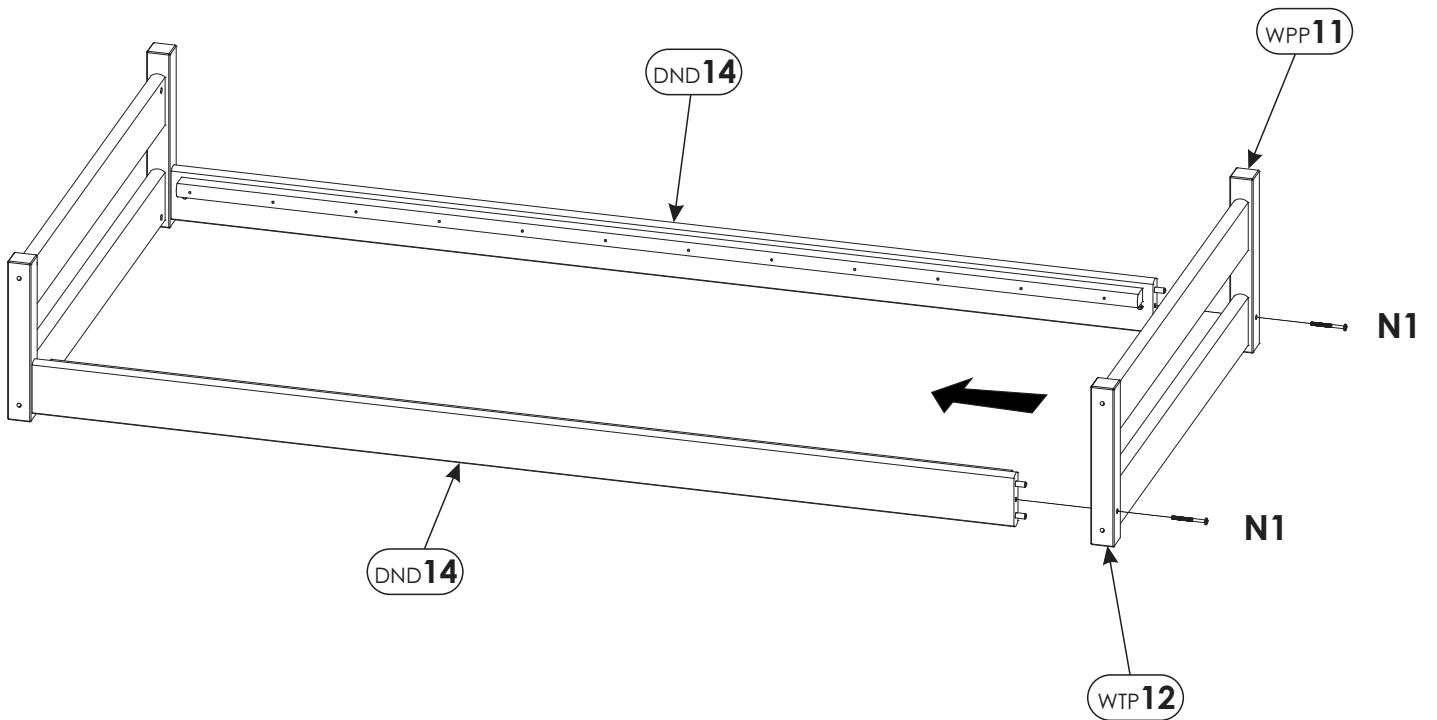
# 18.



# 19.

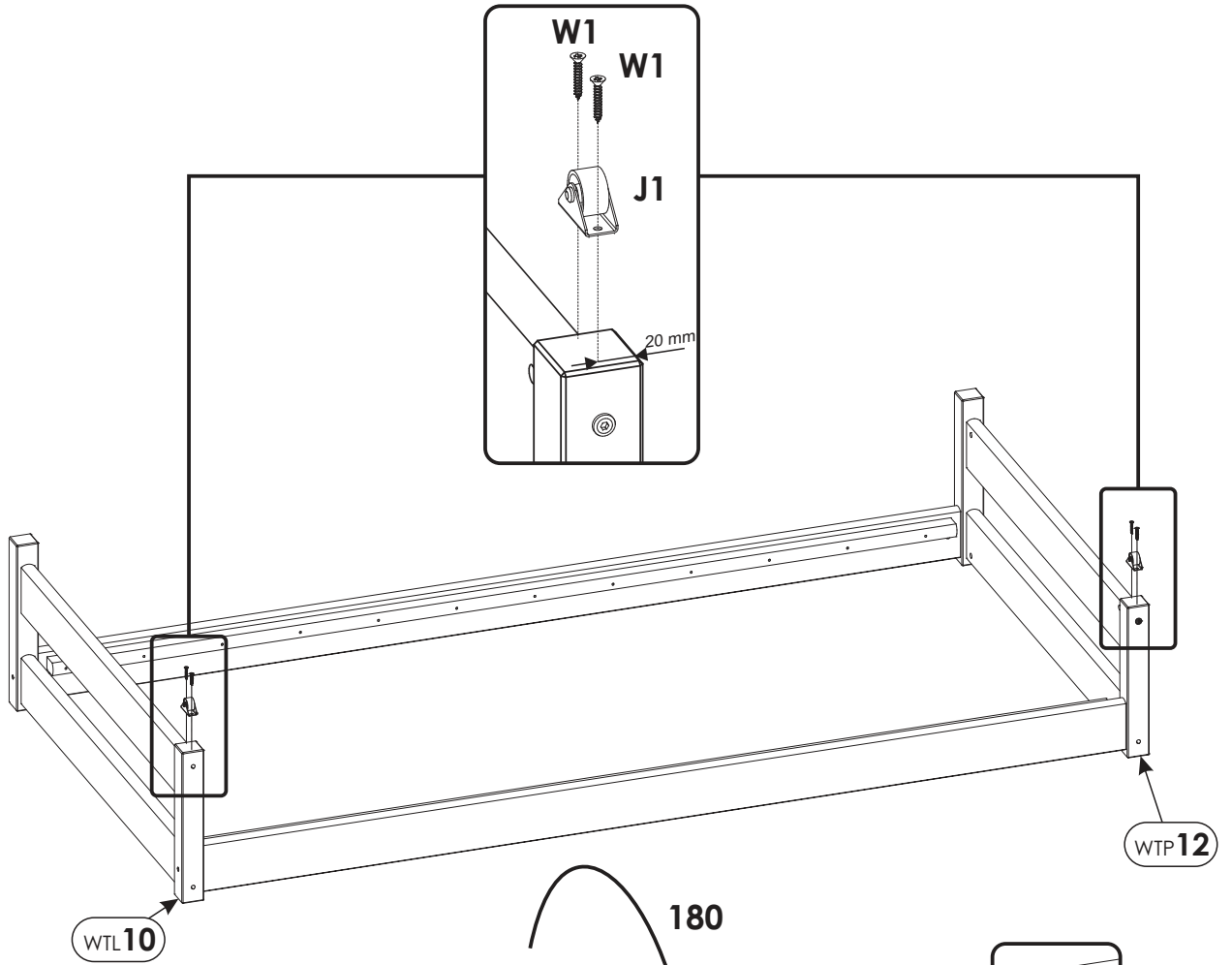


# 20.

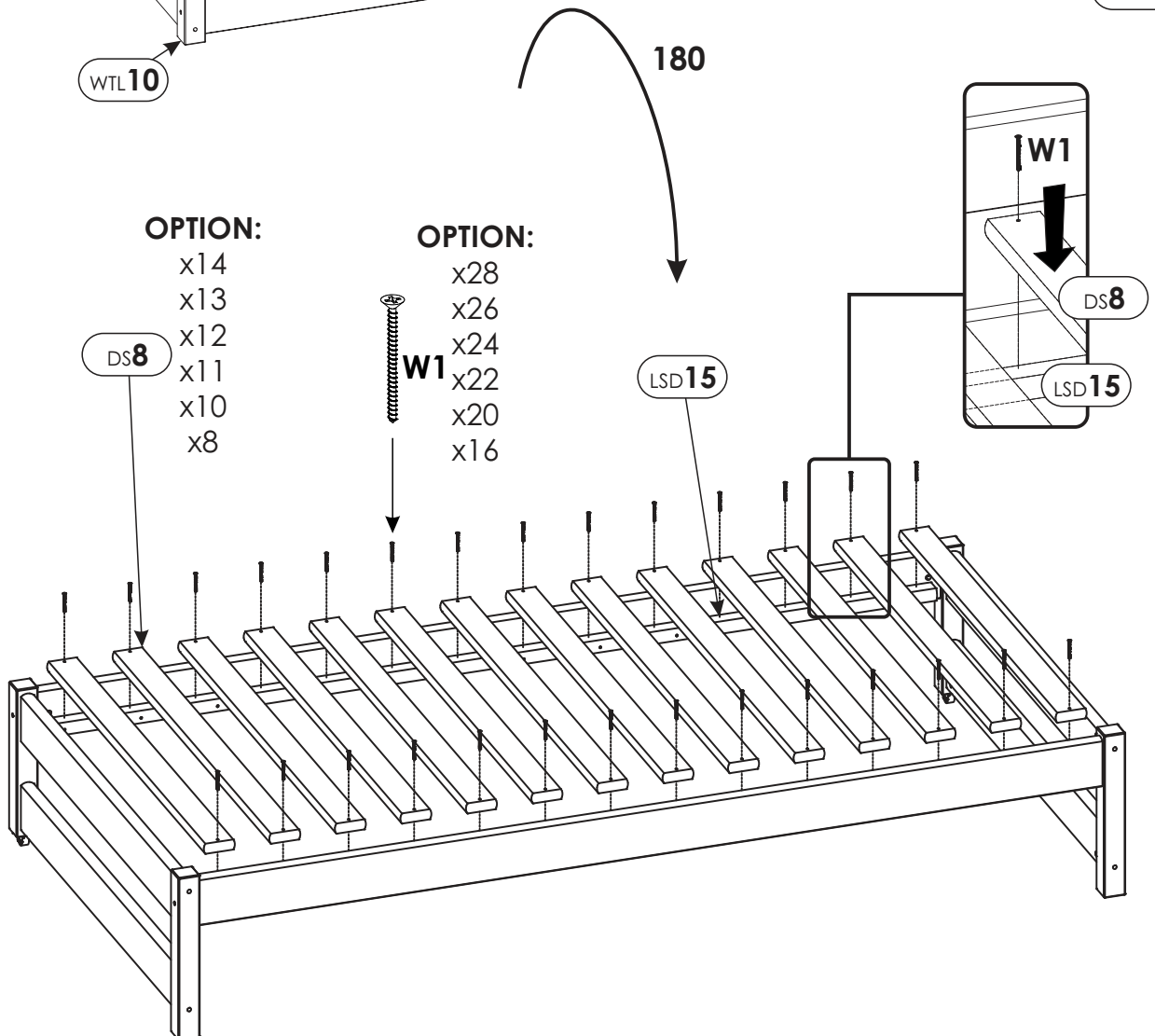




# 21.



# 22.



23.

