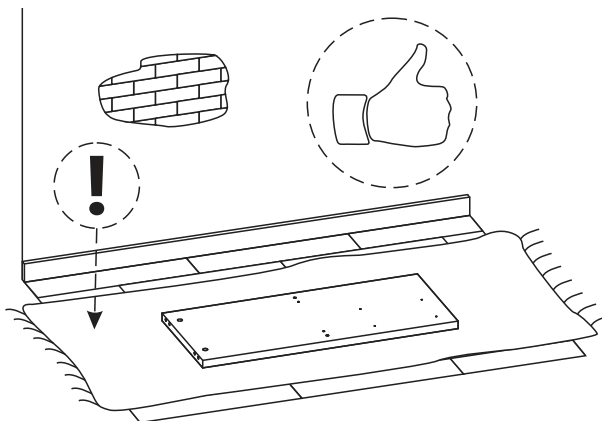
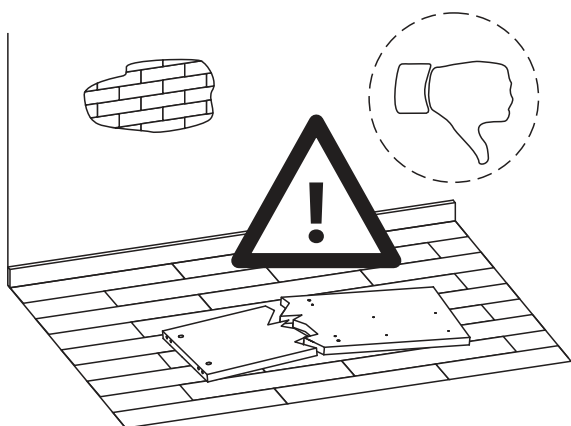
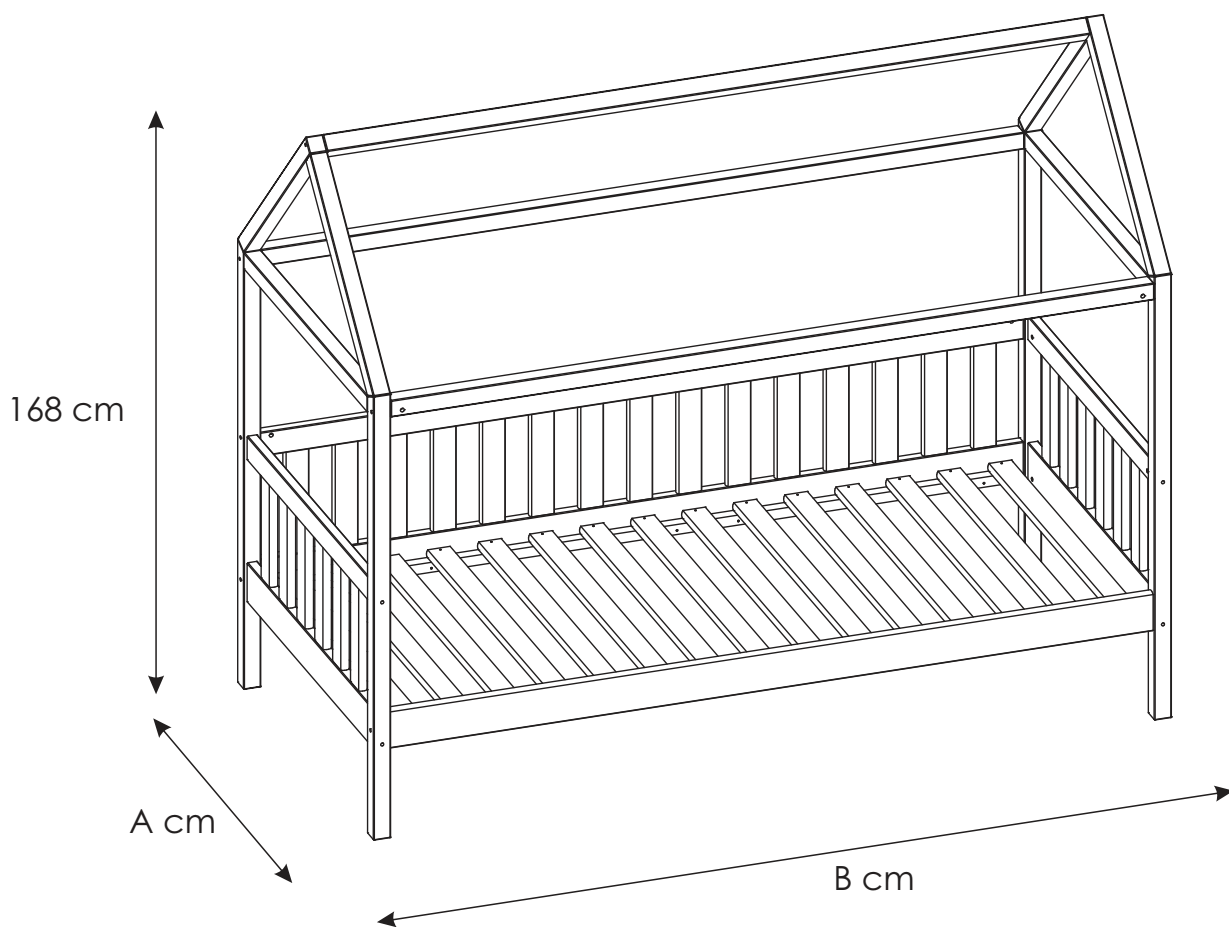
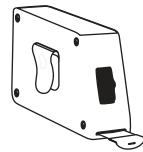
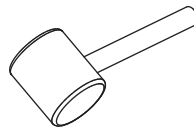
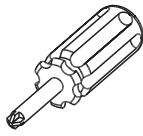
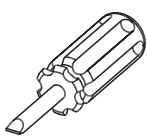
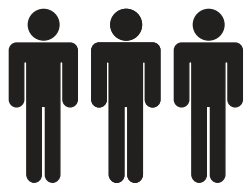
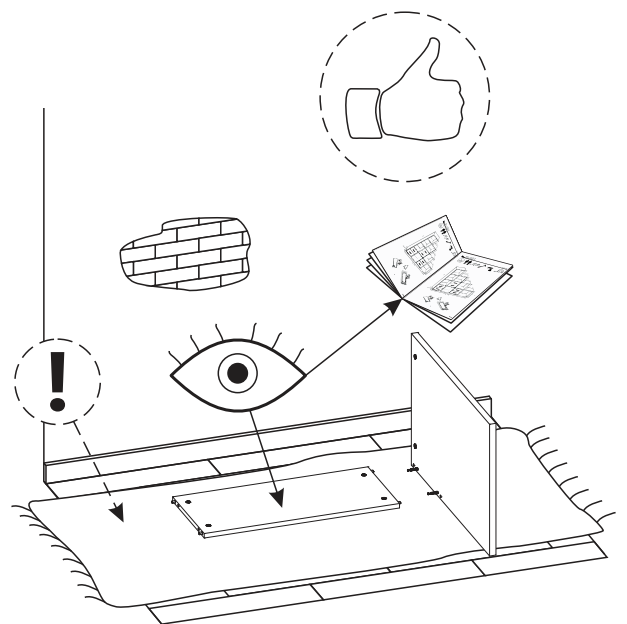
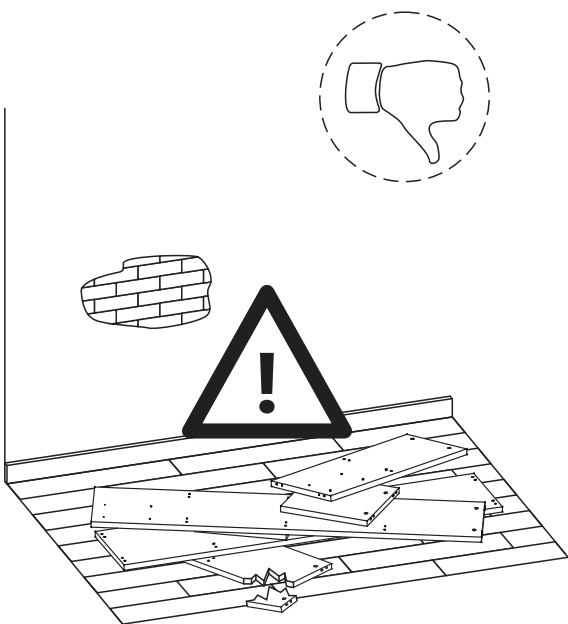
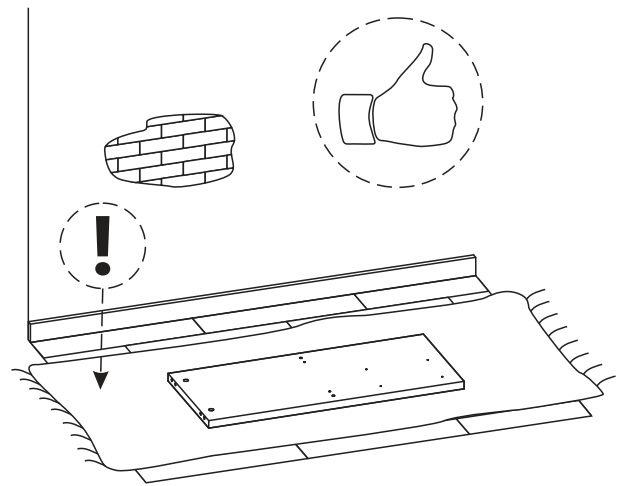
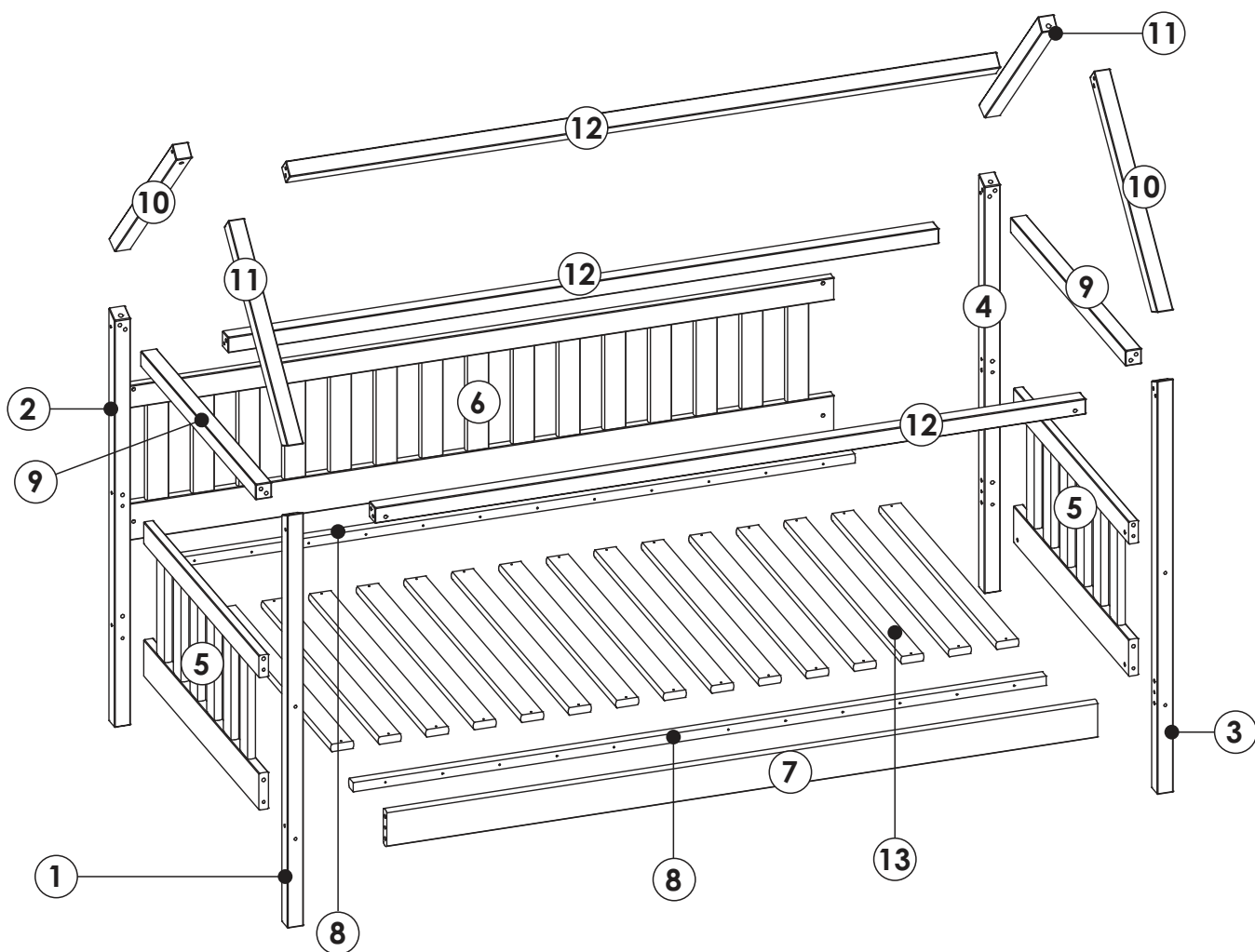
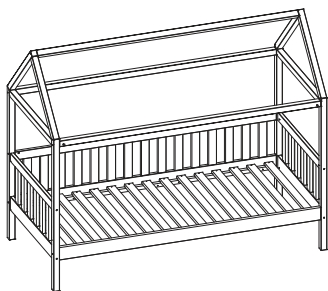


MIESZKO I





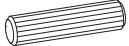
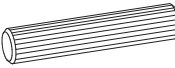



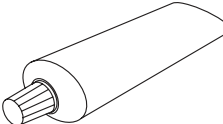
MIESZKO I




MIESZKO I


NPL 1	1200	45	45	x1	MNPL_01660
NTL 2	1200	45	45	x1	MNTL_01640
NPP 3	1200	45	45	x1	MNPP_01670
NTP 4	1200	45	45	x1	MNTP_01650
PBP 5	585, 685, 785, 885, 985	449	27	x2	PS_00470 DP_00480 DPT65_01110
PDT 6	1190, 1390, 1590, 1690, 1790, 1890, 1990	449	27	x1	PS_00470 DPDC_00670 DPDC_00680
DN 7	1190, 1390, 1590, 1690, 1790, 1890, 1990	107	27	x1	DN_00110
LS 8	1140, 1340, 1540, 1640, 1740, 1840, 1940	35	27	x2	LS_00160
DPK 9	585, 685, 785, 885, 985	45	45	x2	DDPK_01680
DBD 10	689	45	45	x2	DDBD_01290
DBK 11	644	45	45	x2	DDBK_01300
DP 12	1190, 1390, 1590, 1690, 1790, 1890, 1990	45	45	x3	DDP_01310

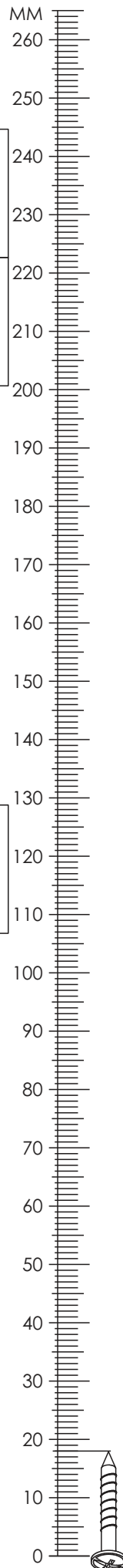
MIESZKO I

<p>A2 akc_0002</p>  <p>10 x 40 mm</p> <p style="text-align: right;">x32</p>	<p>A3 akc_0003</p>  <p>12 x 60 mm</p> <p style="text-align: right;">x6</p>	<p>M akc_0005</p>  <p style="text-align: right;">x1</p>
<p>N1 akc_0006</p>  <p>6 x 80 mm</p> <p style="text-align: right;">x20</p>	<p>S1 akc_0008</p>  <p>10 x 16 mm</p> <p style="text-align: right;">x20</p>	<p>S2 akc_0018</p>  <p style="text-align: right;">x1</p>

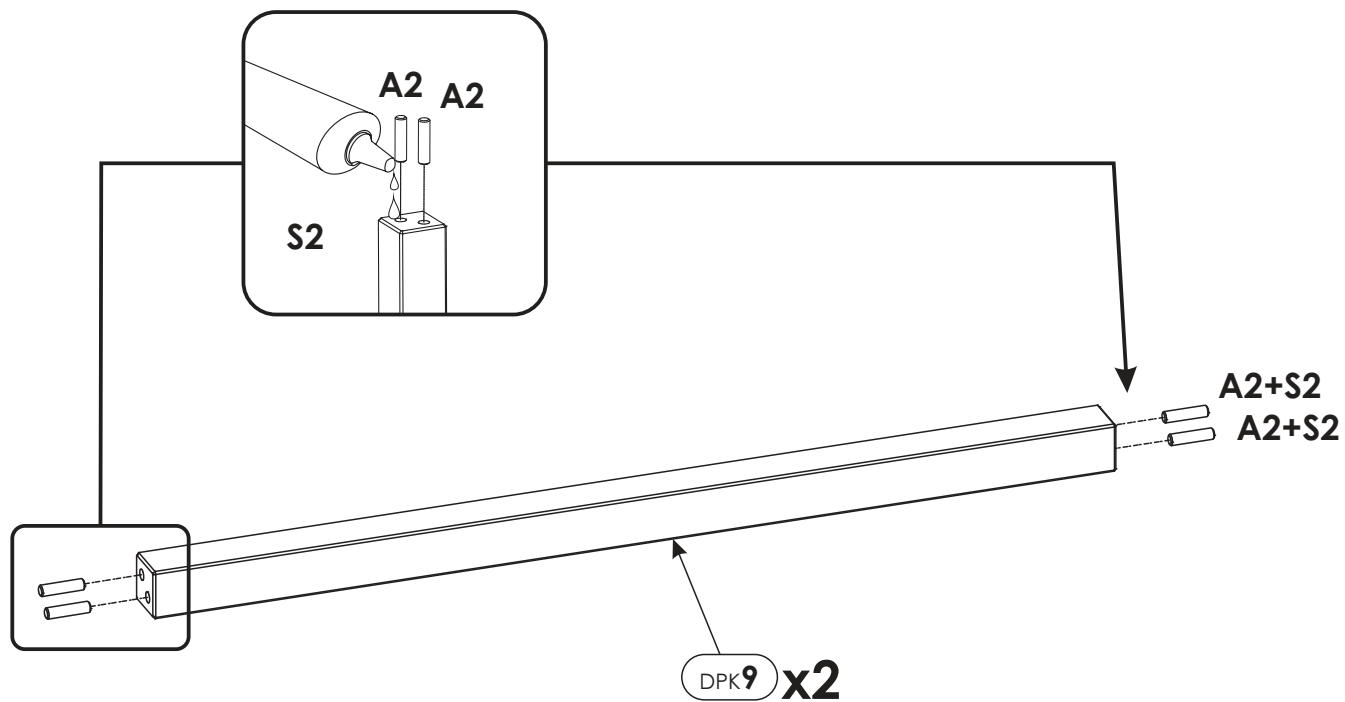
----- OPTION -----

<p>W1 akc_0009</p>  <p>3,5 x 40 mm</p> <p style="text-align: right;">20 < x < 30</p>

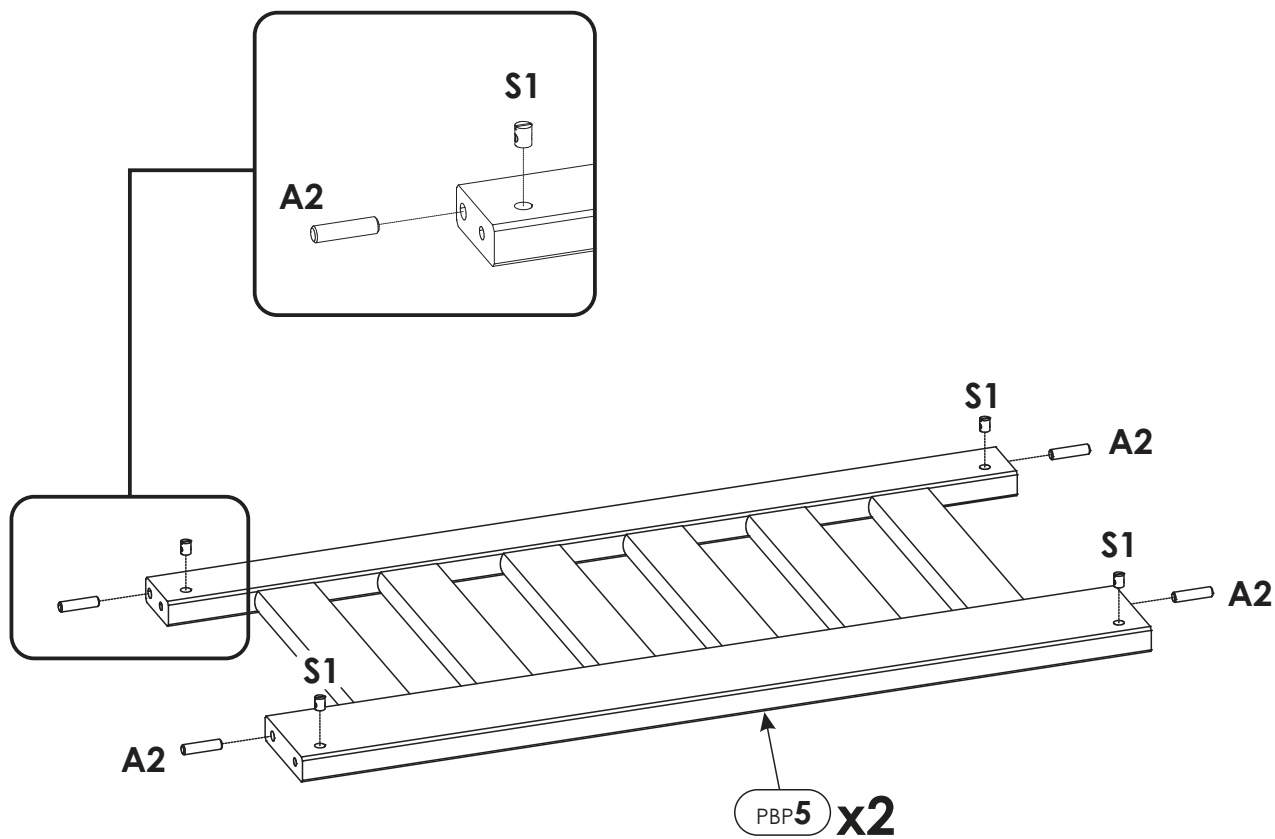
<p>W3 akc_0011</p>  <p>4 x 50 mm</p> <p style="text-align: right;">20 < x < 24</p>



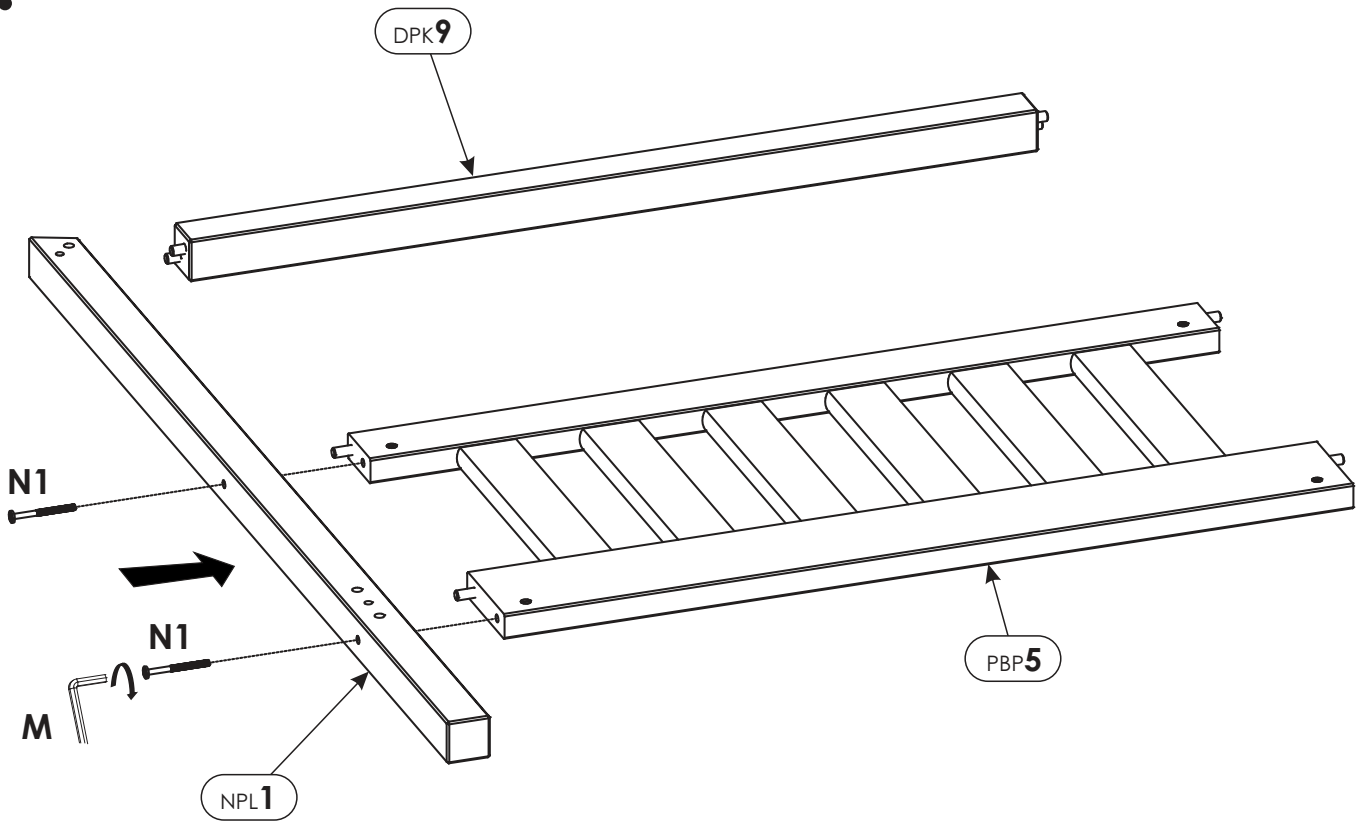
1.



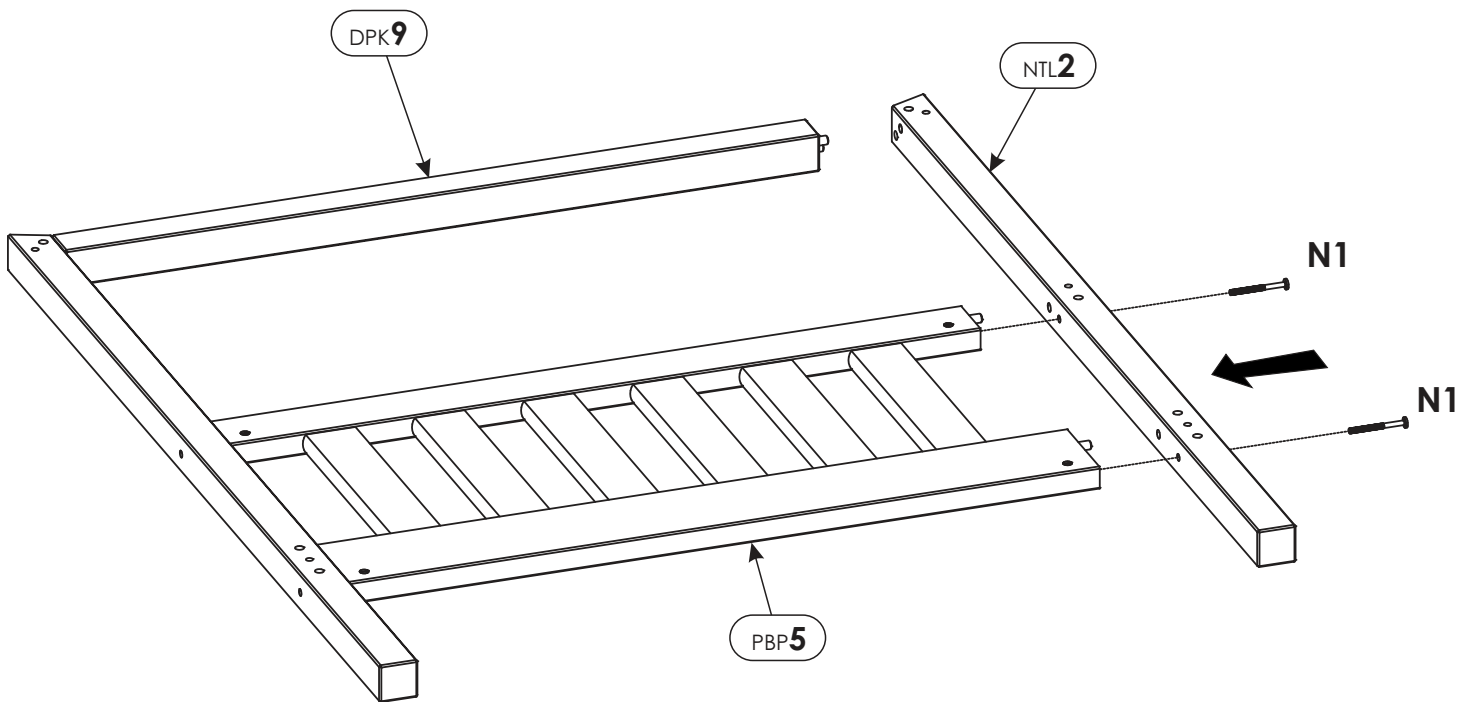
2.



3.

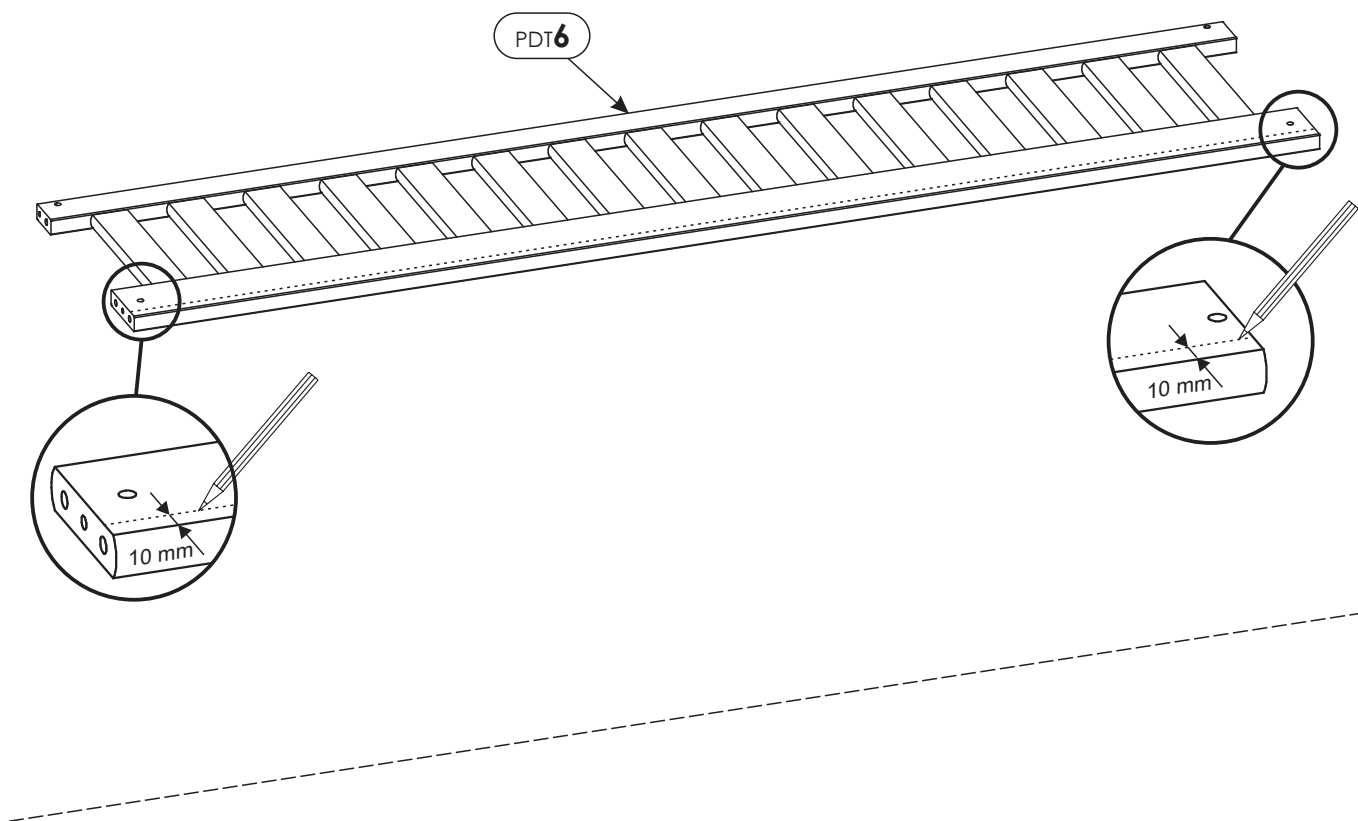


4.

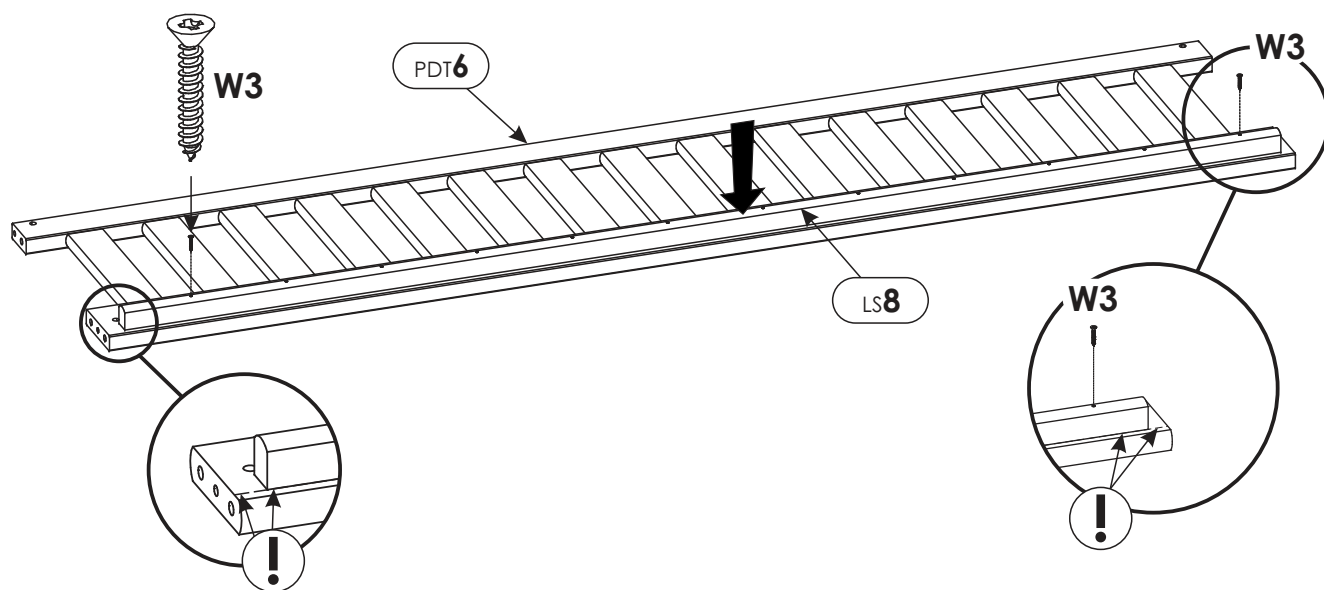


5.

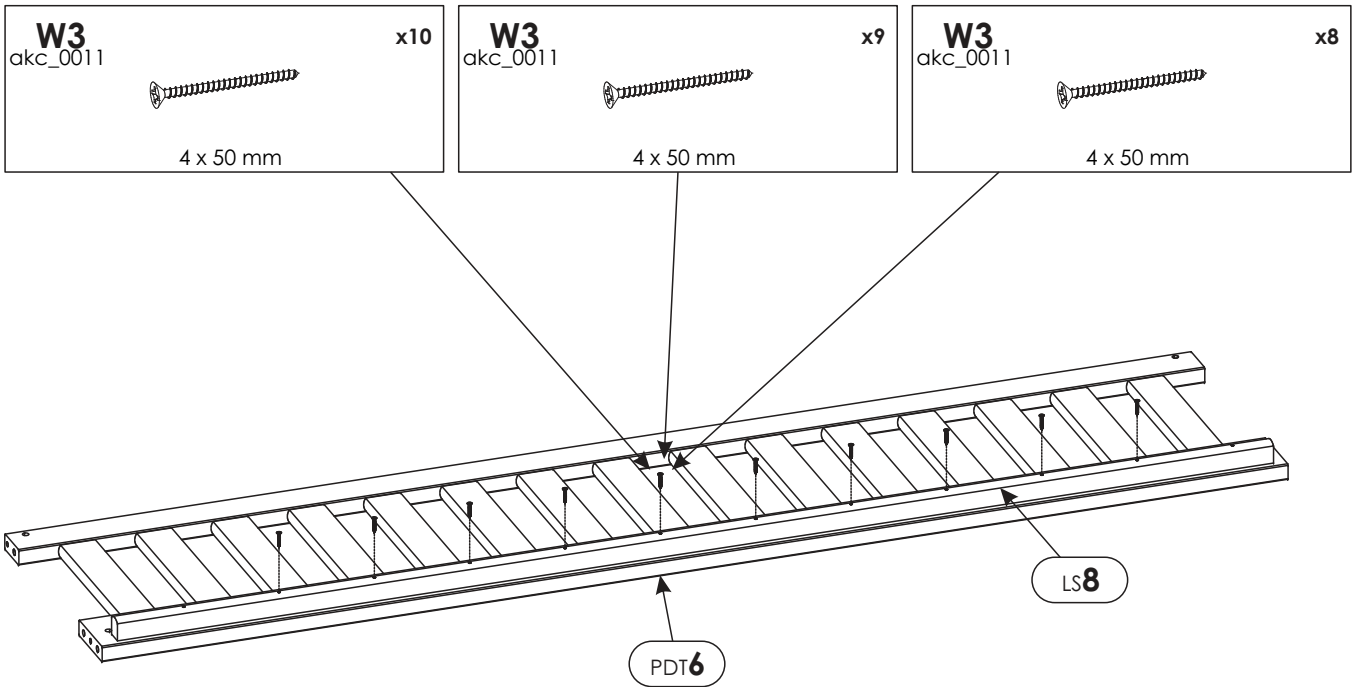
5.1



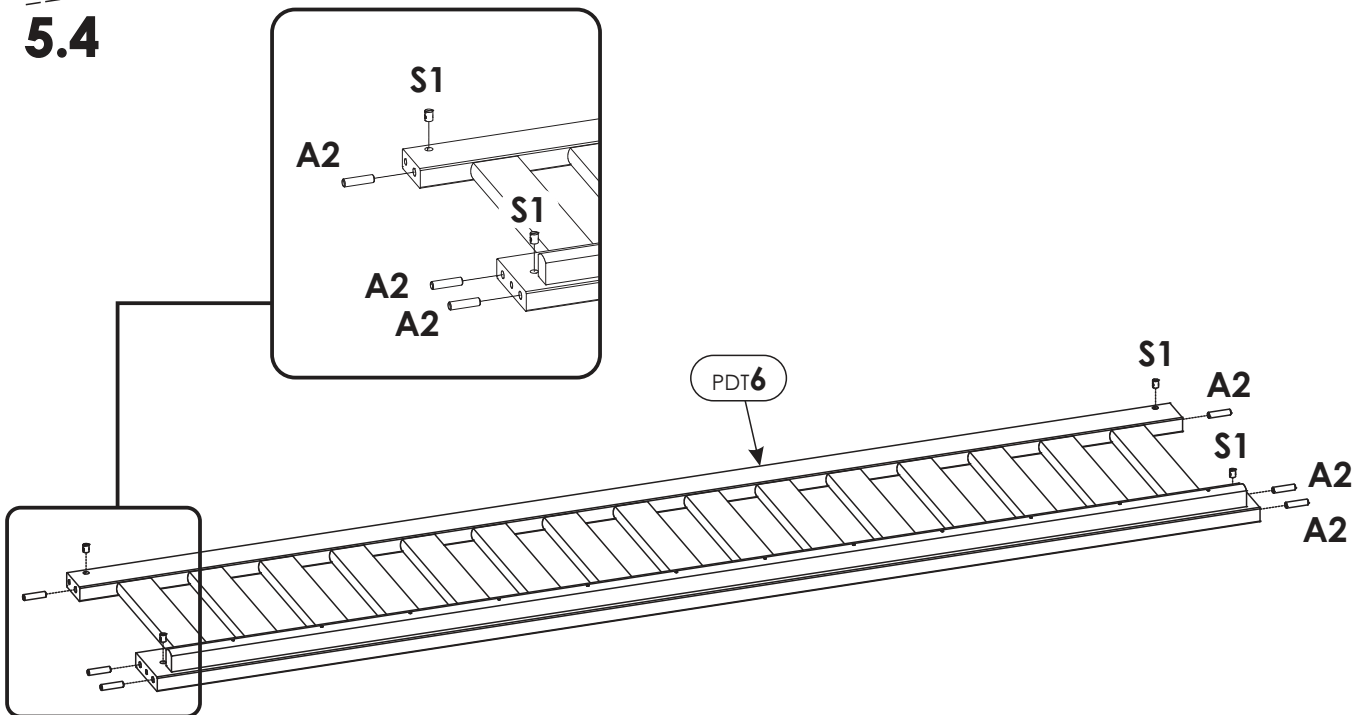
5.2



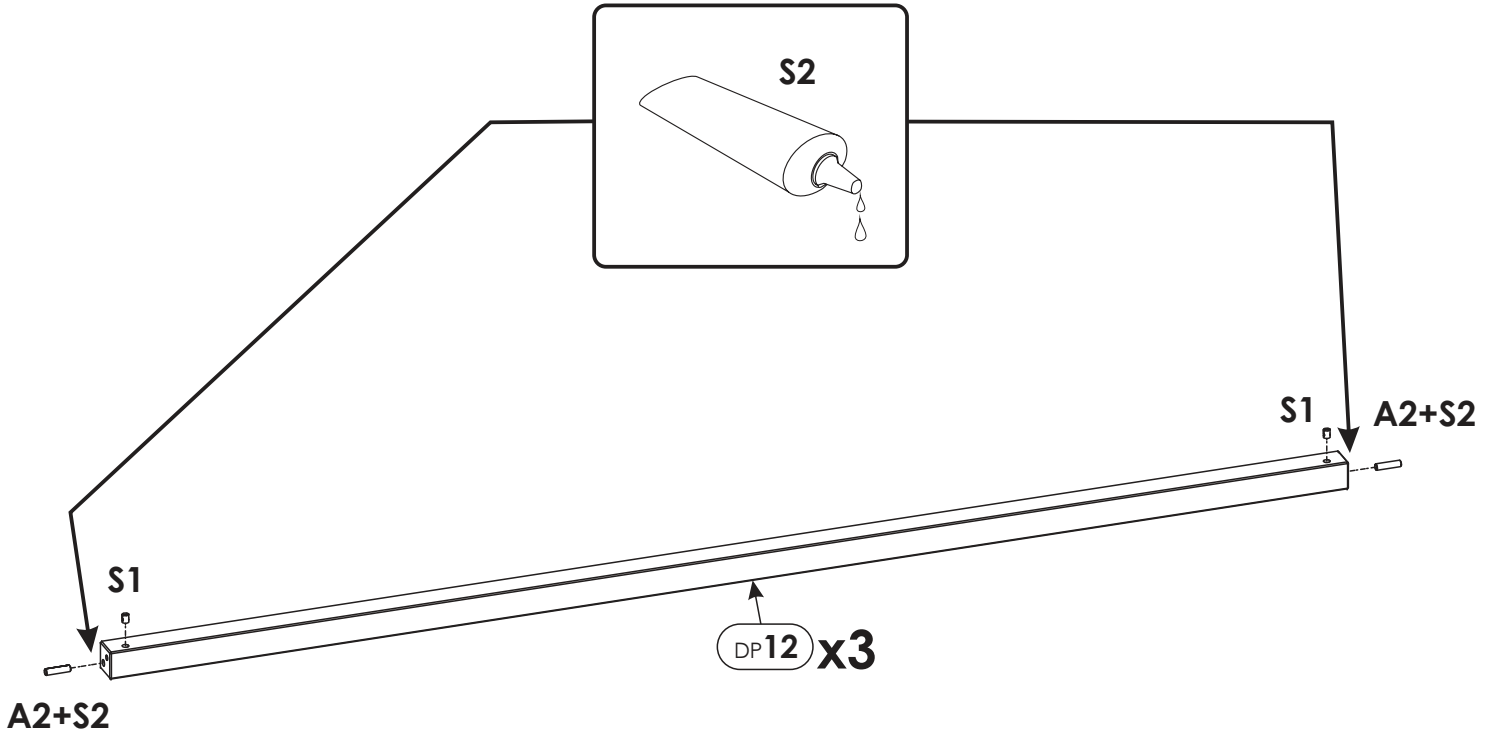
5.3



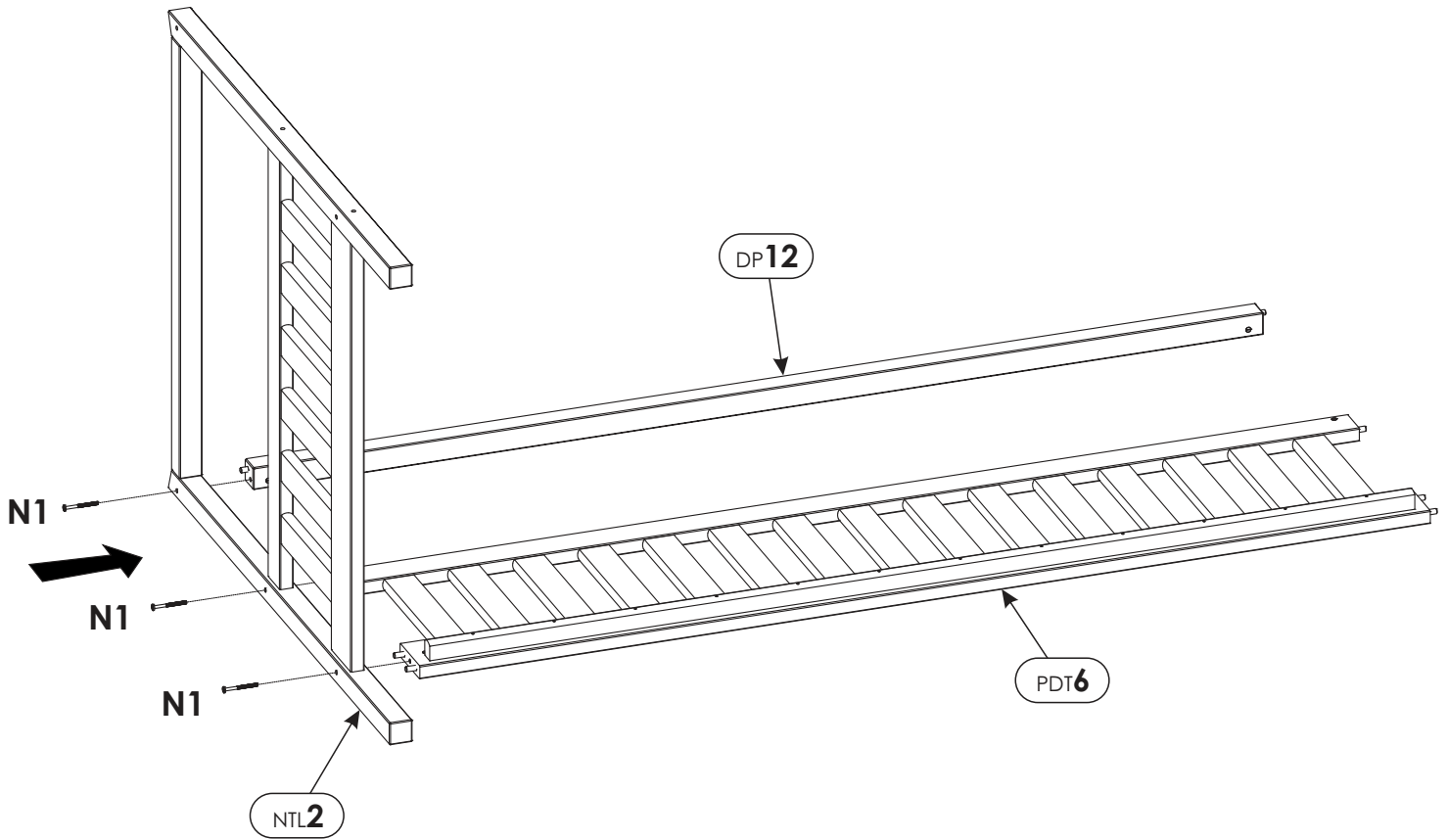
5.4



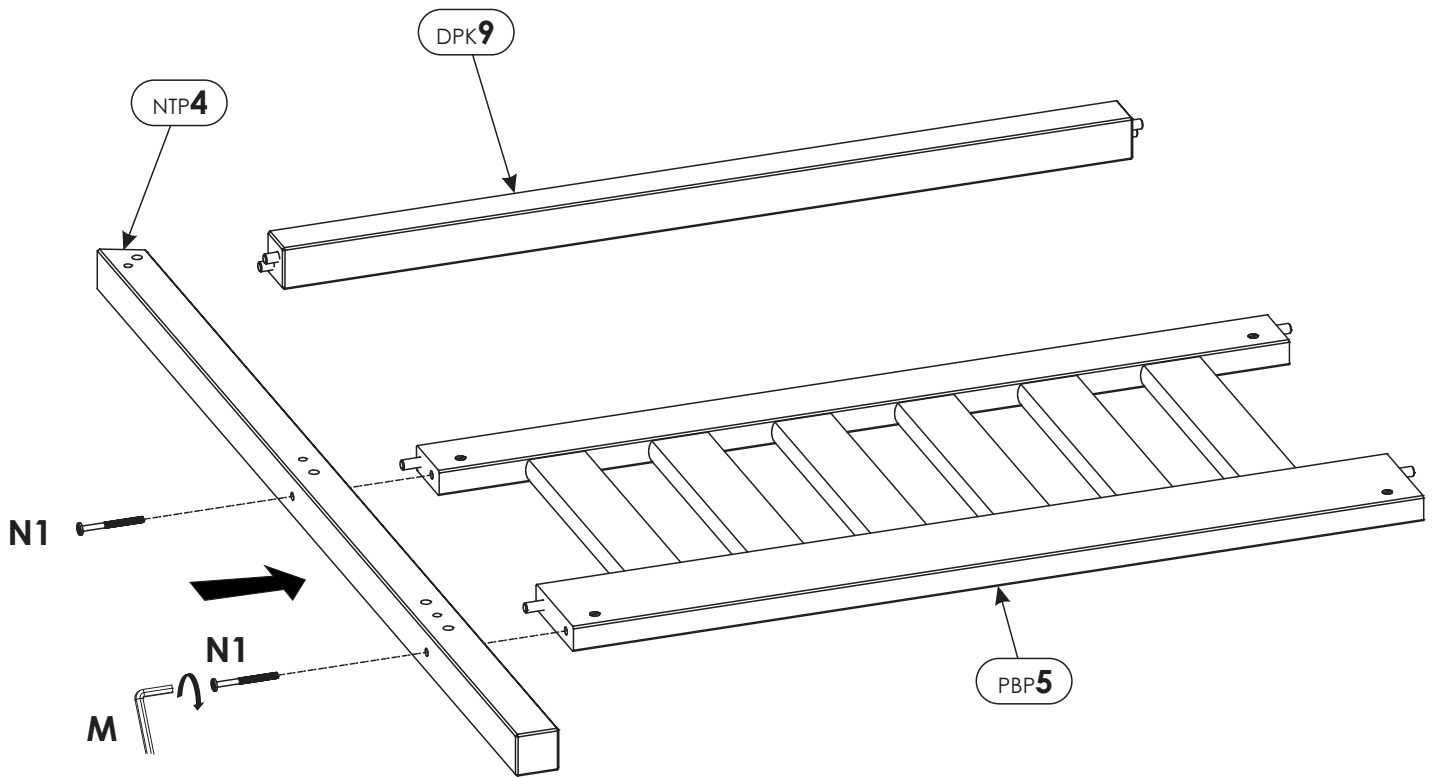
6.



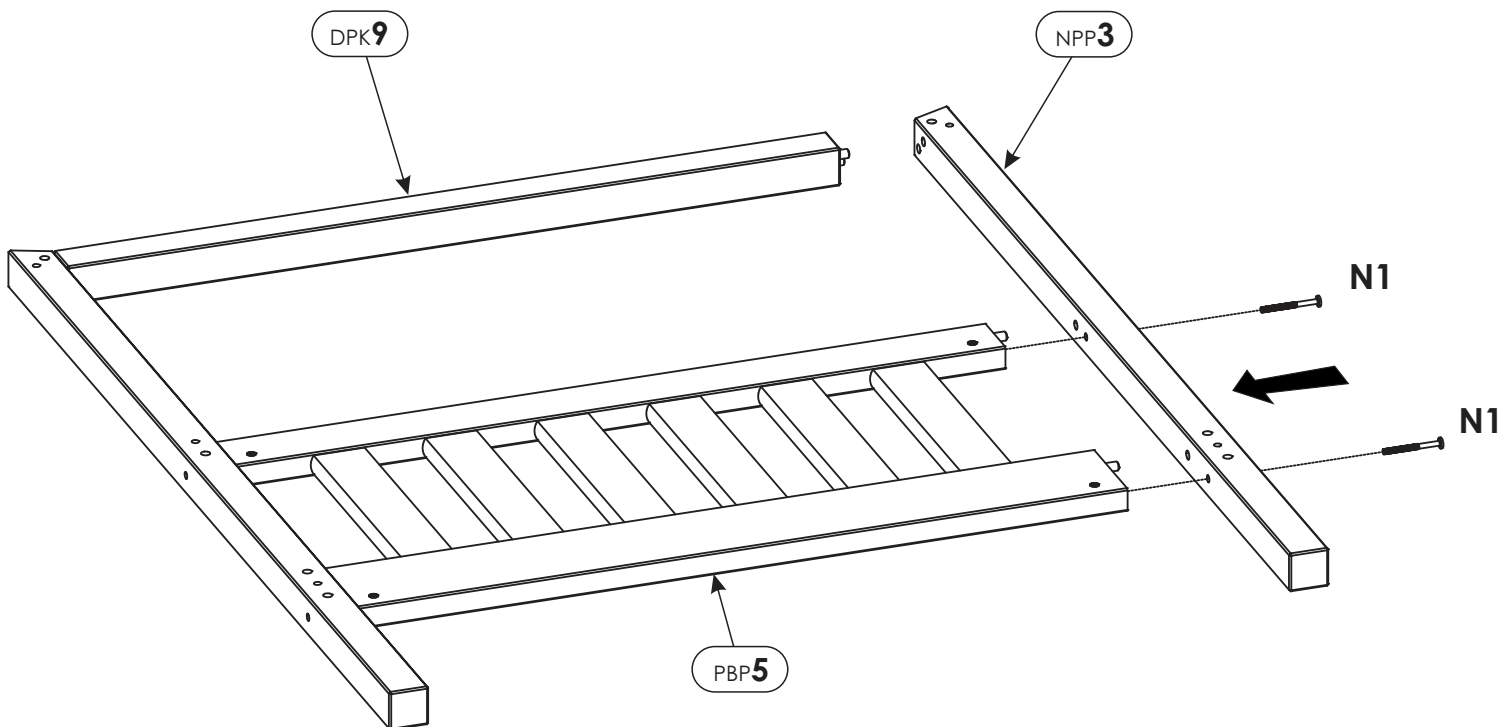
7.



8.

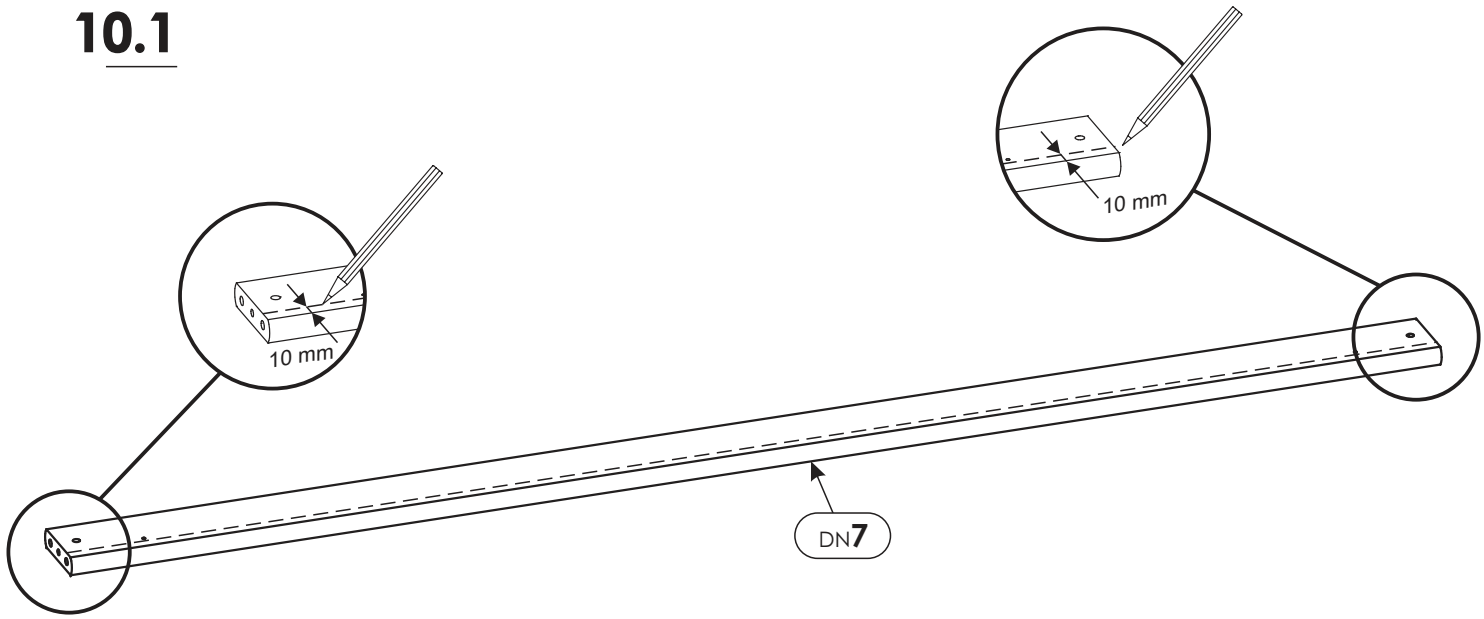


9.

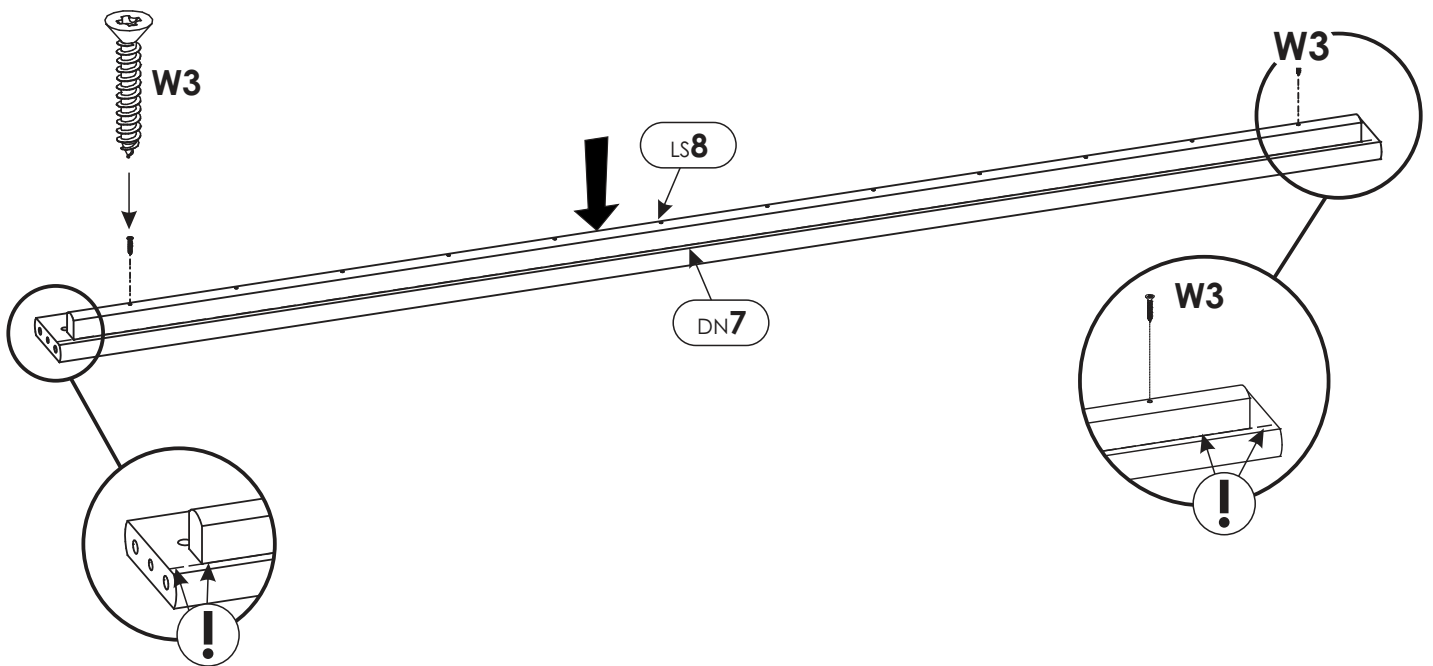


10.

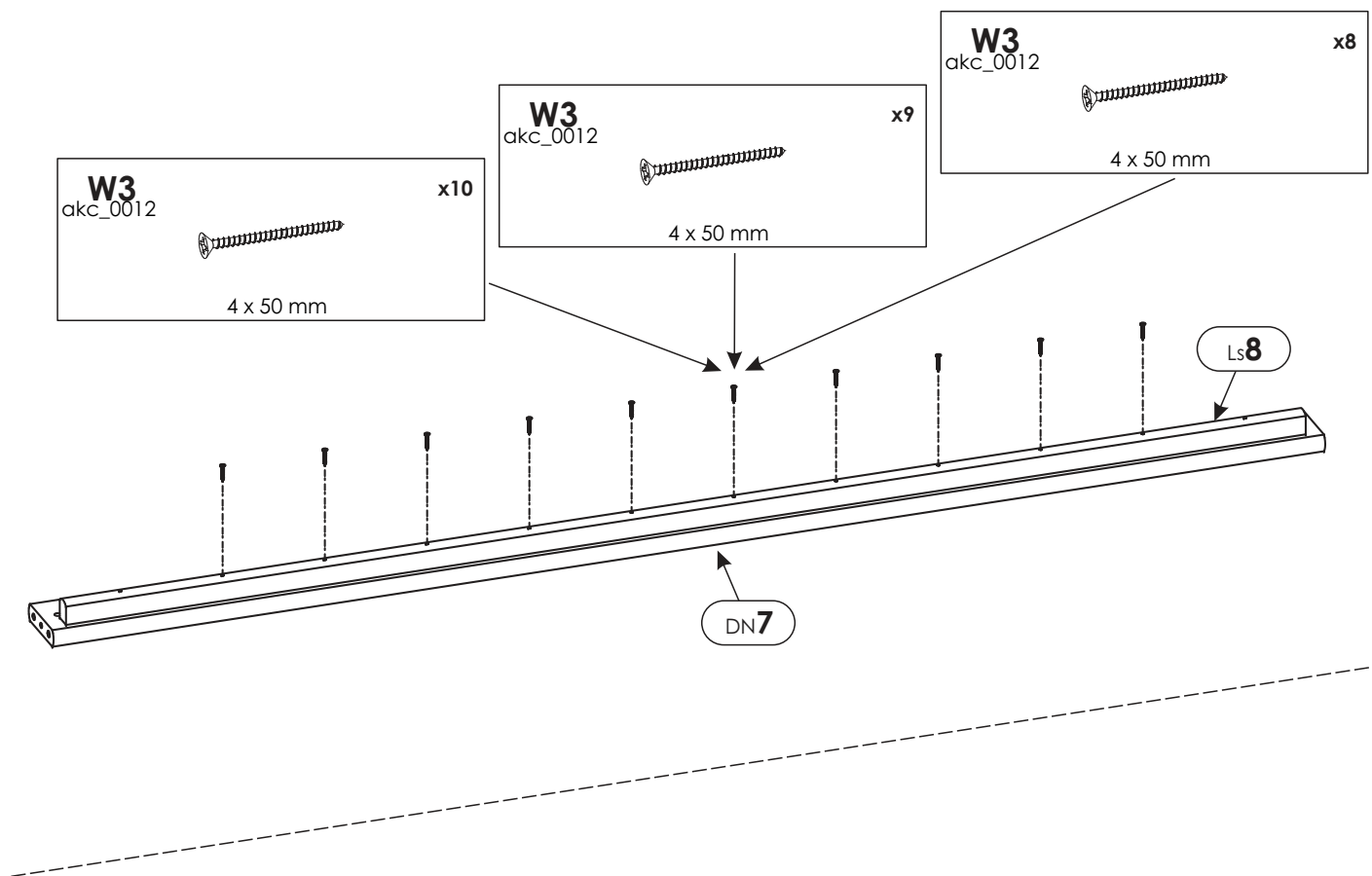
10.1



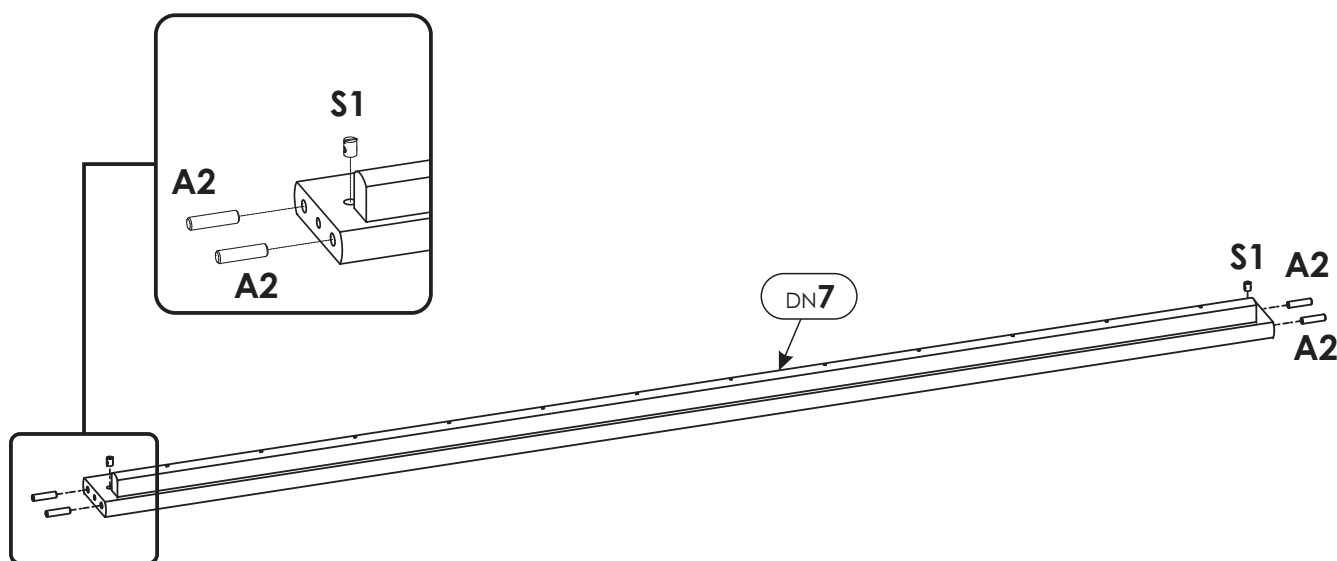
10.2



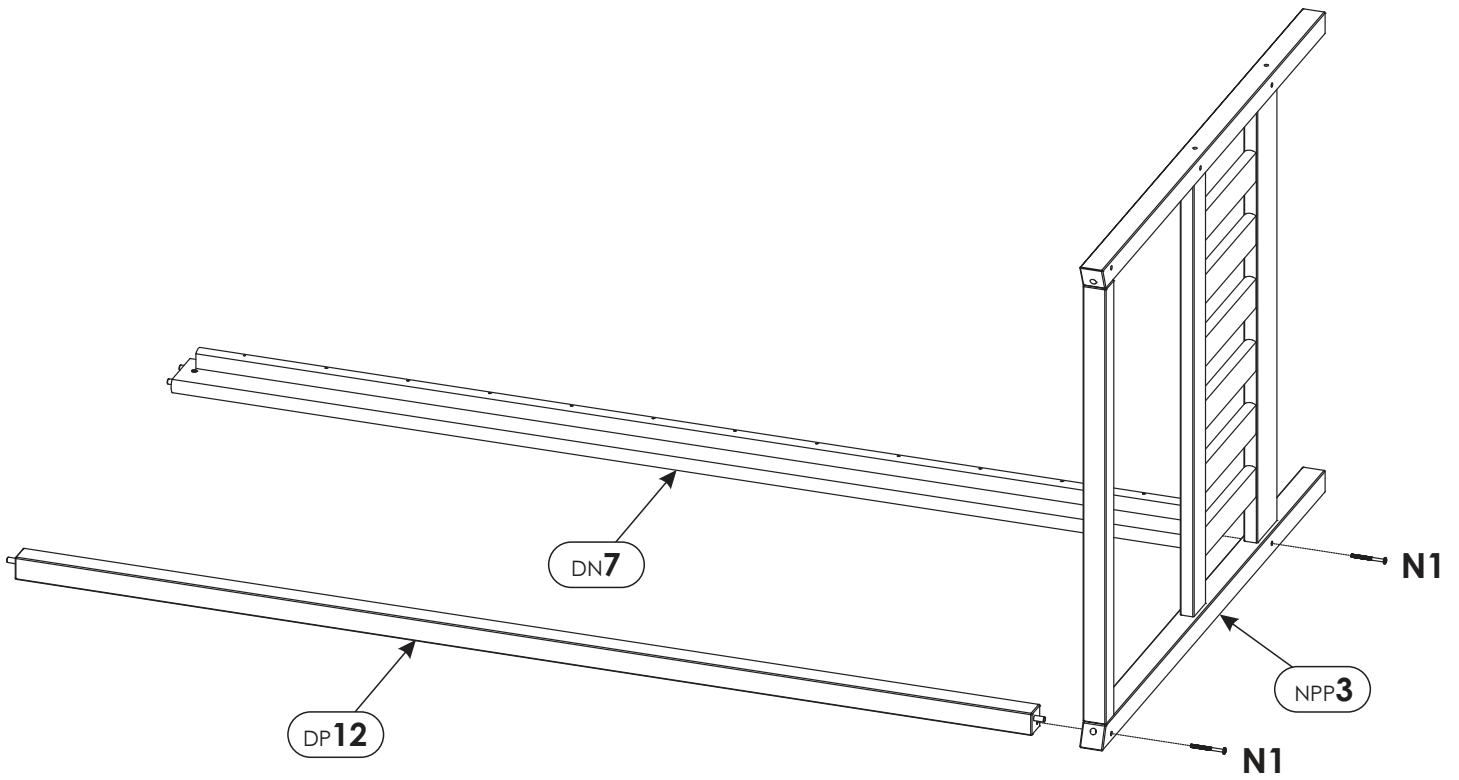
10.3



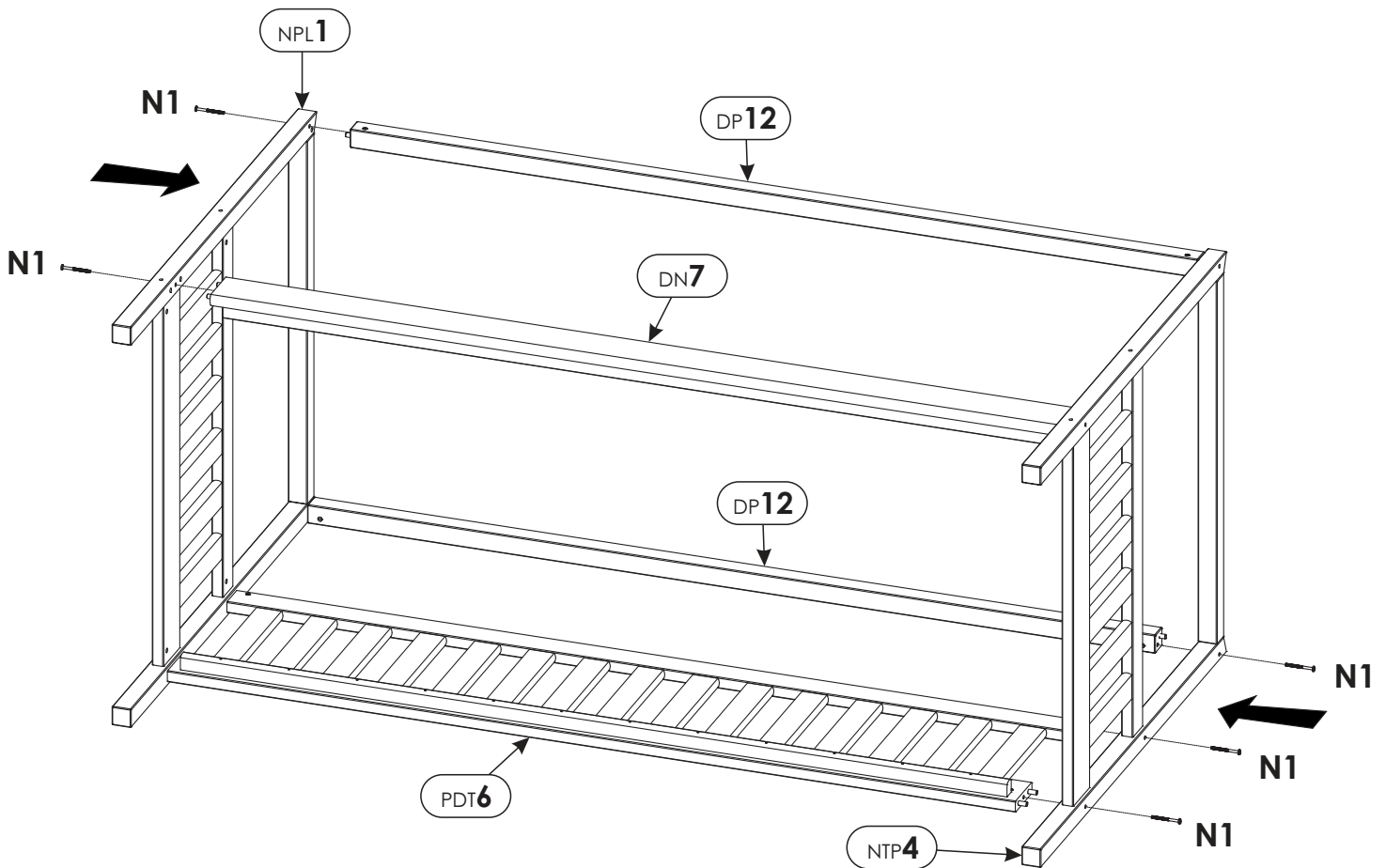
10.4



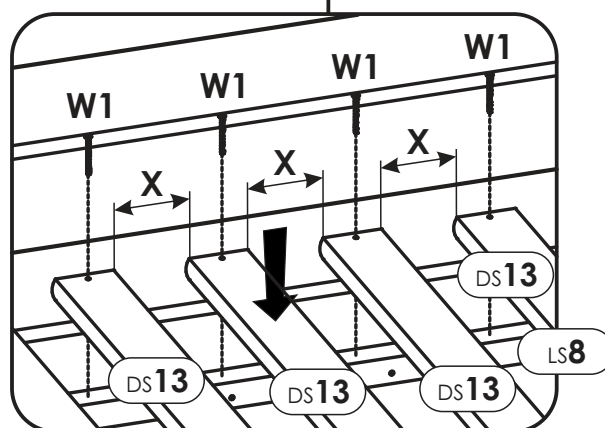
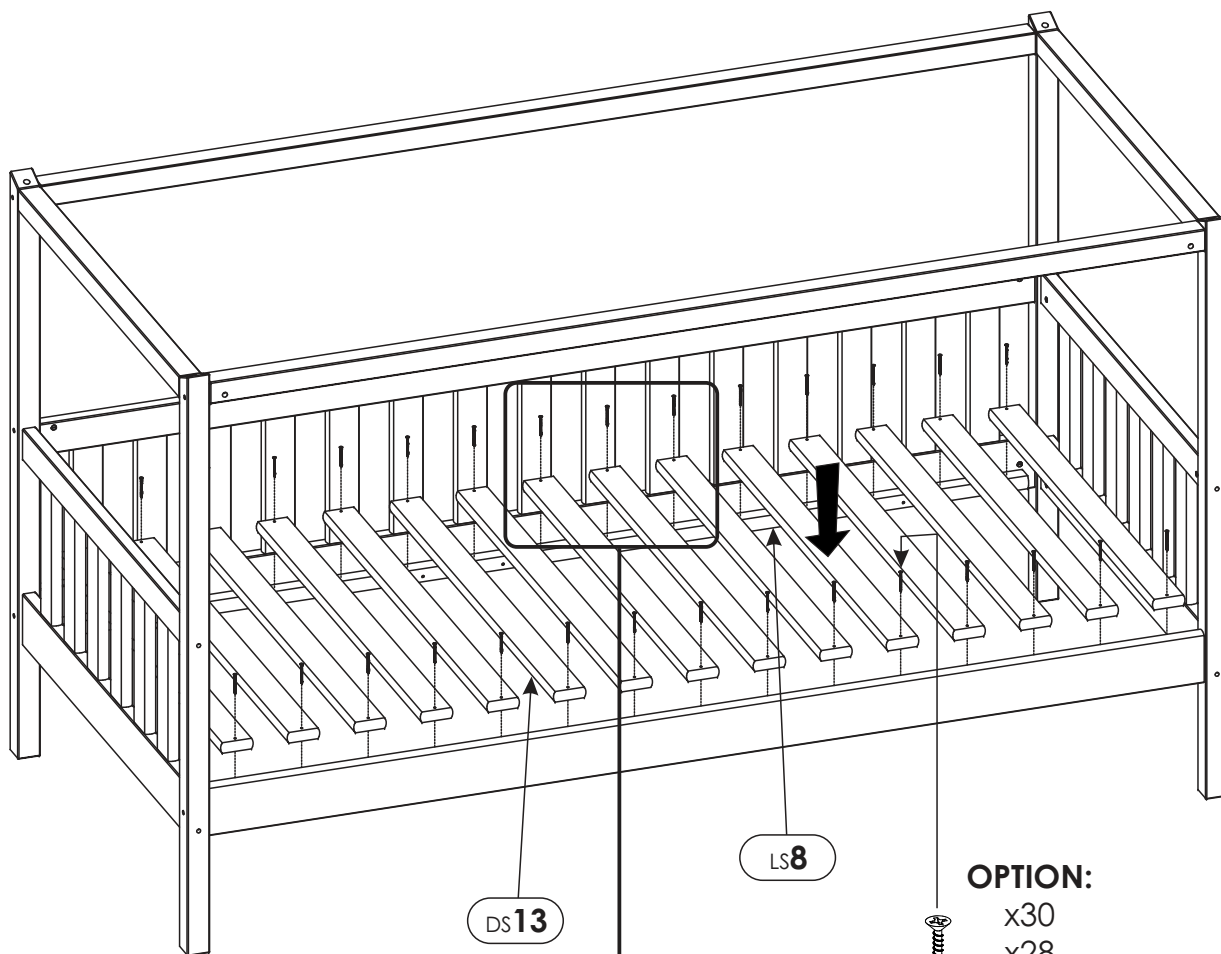
11.



12.

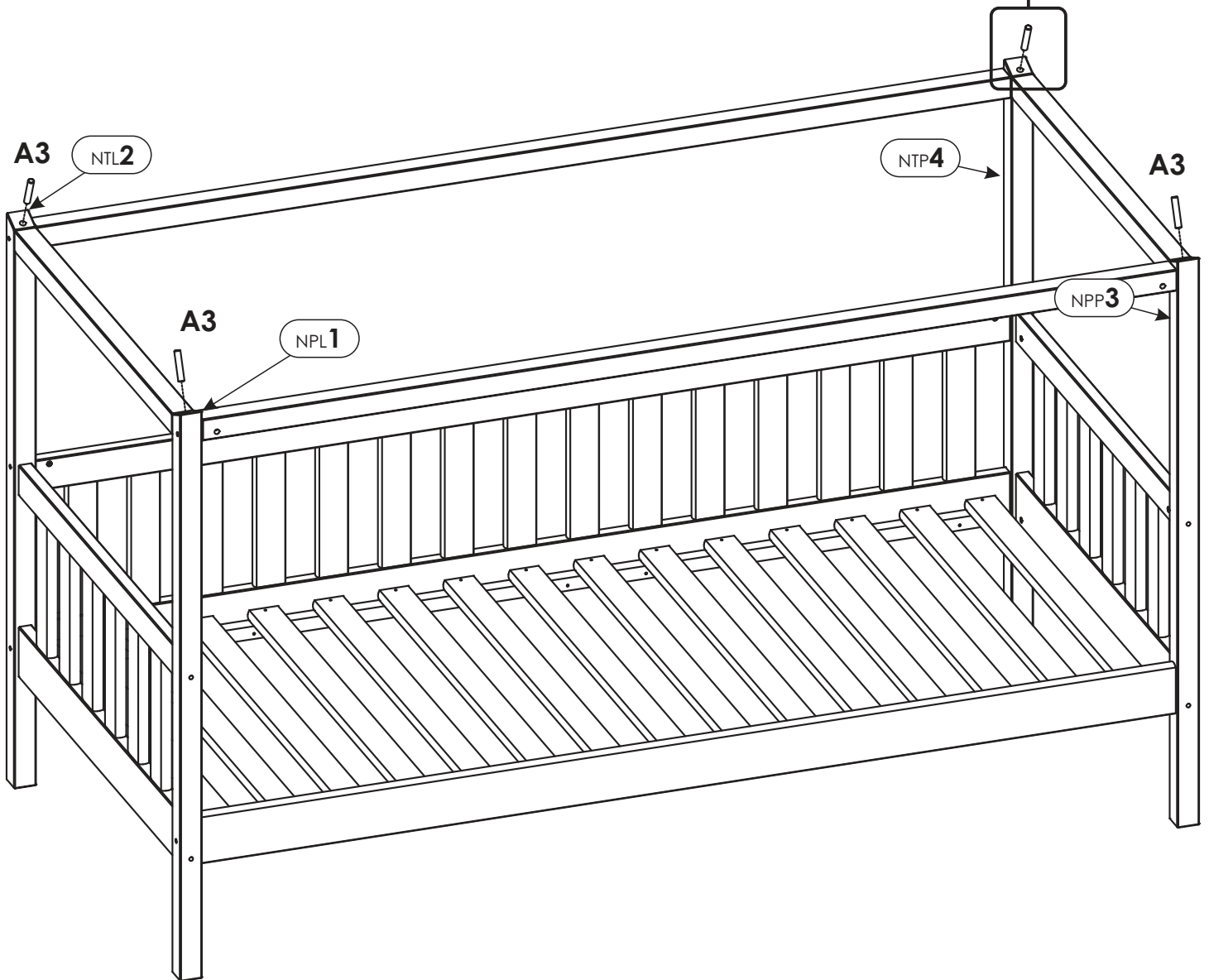
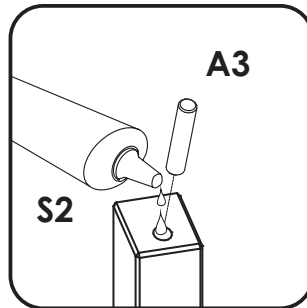


13.

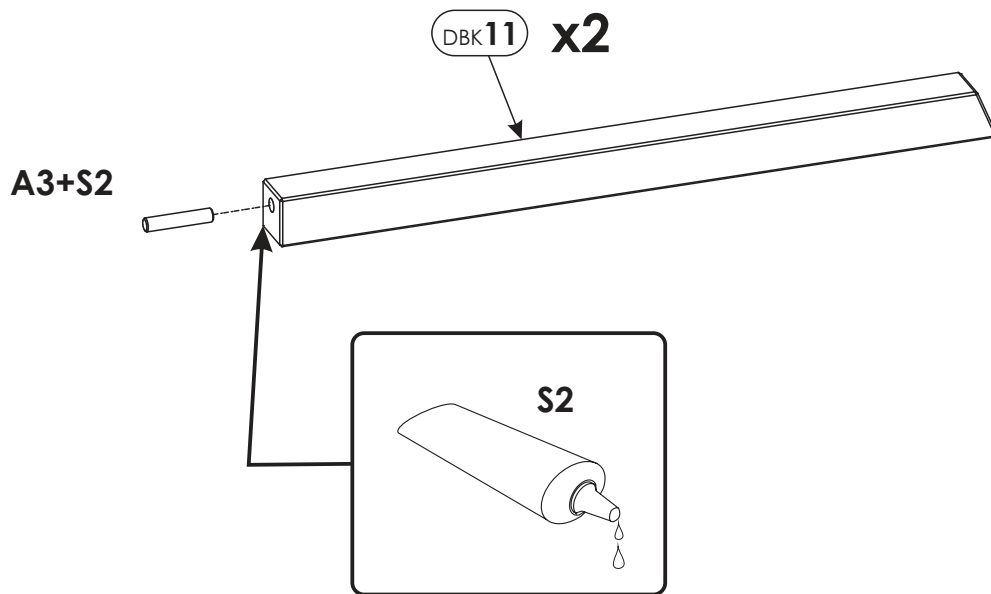


- OPTION:**
x30
x28
W1 x26
x24
x20

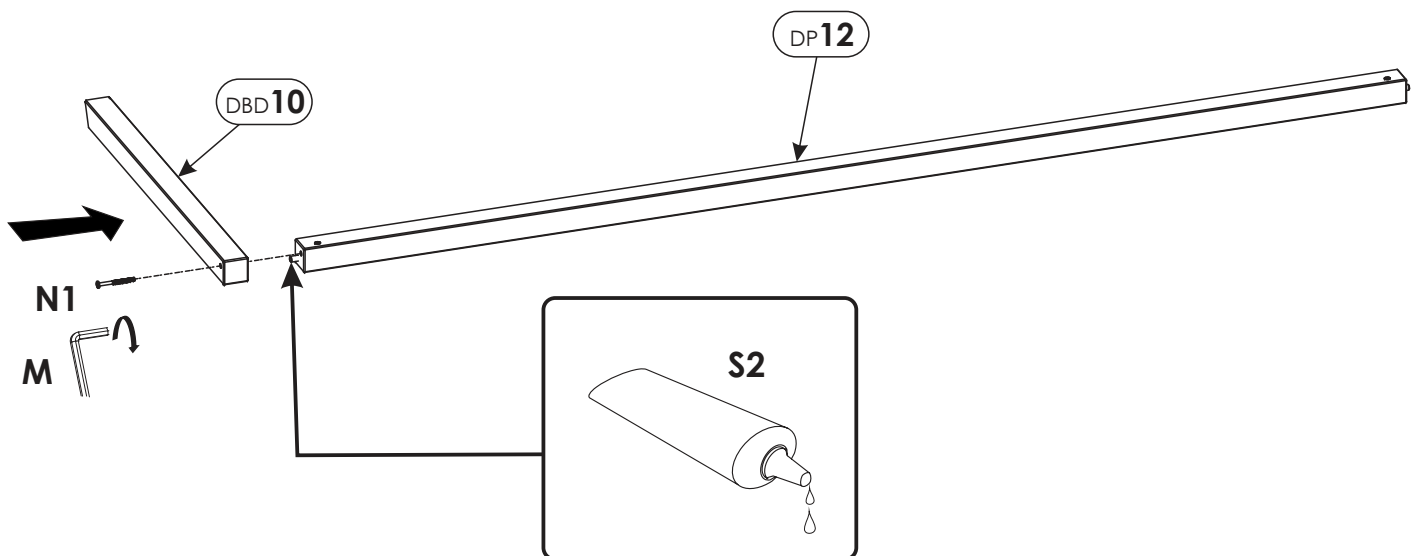
14.



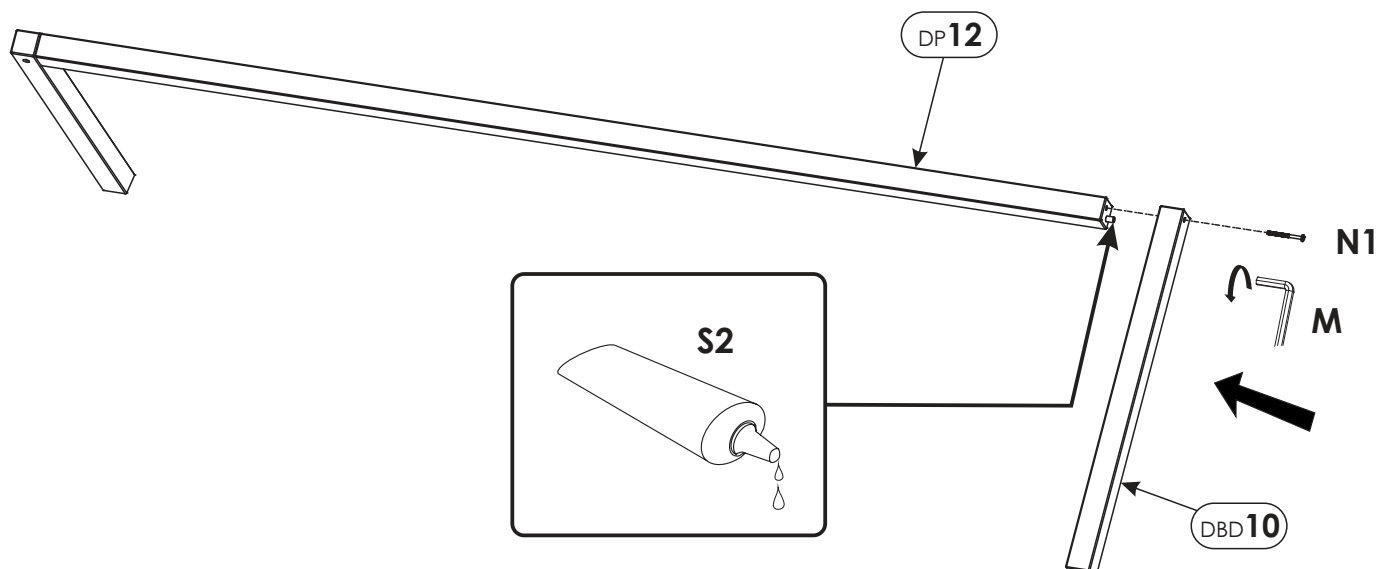
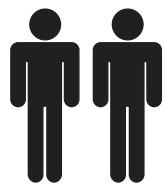
15.



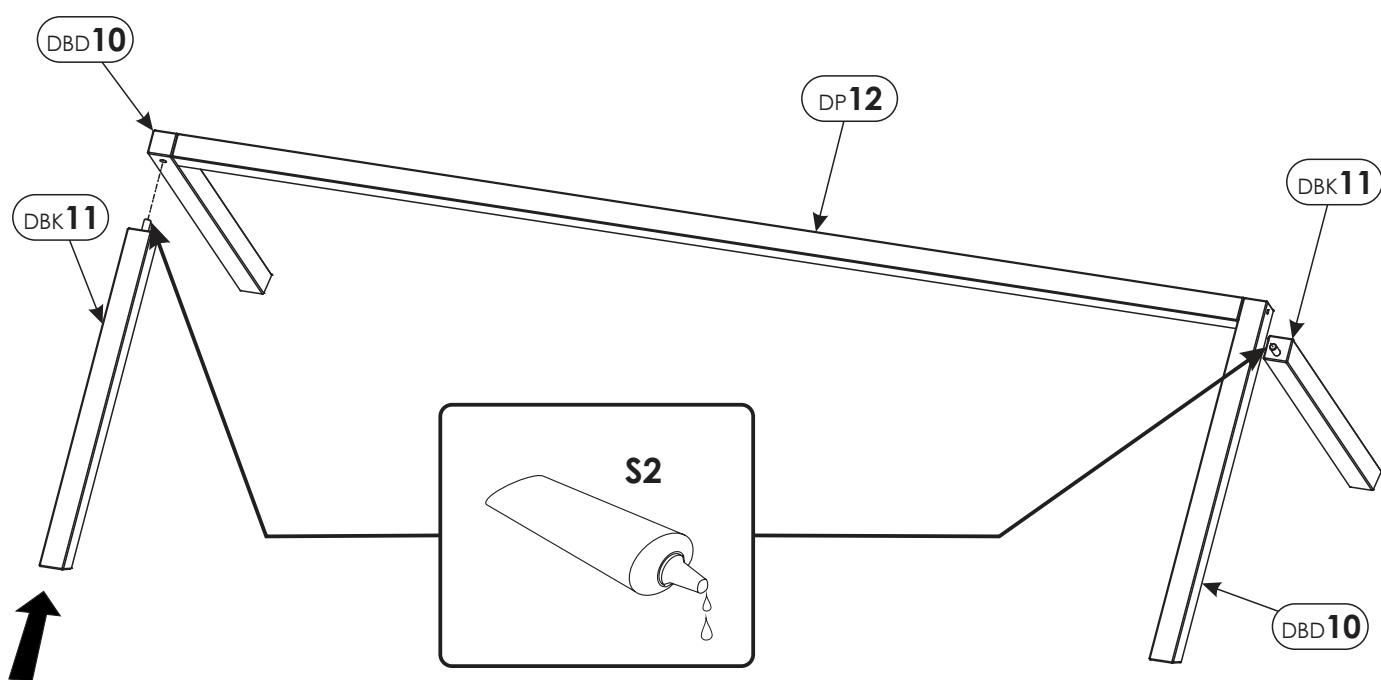
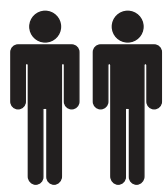
16.



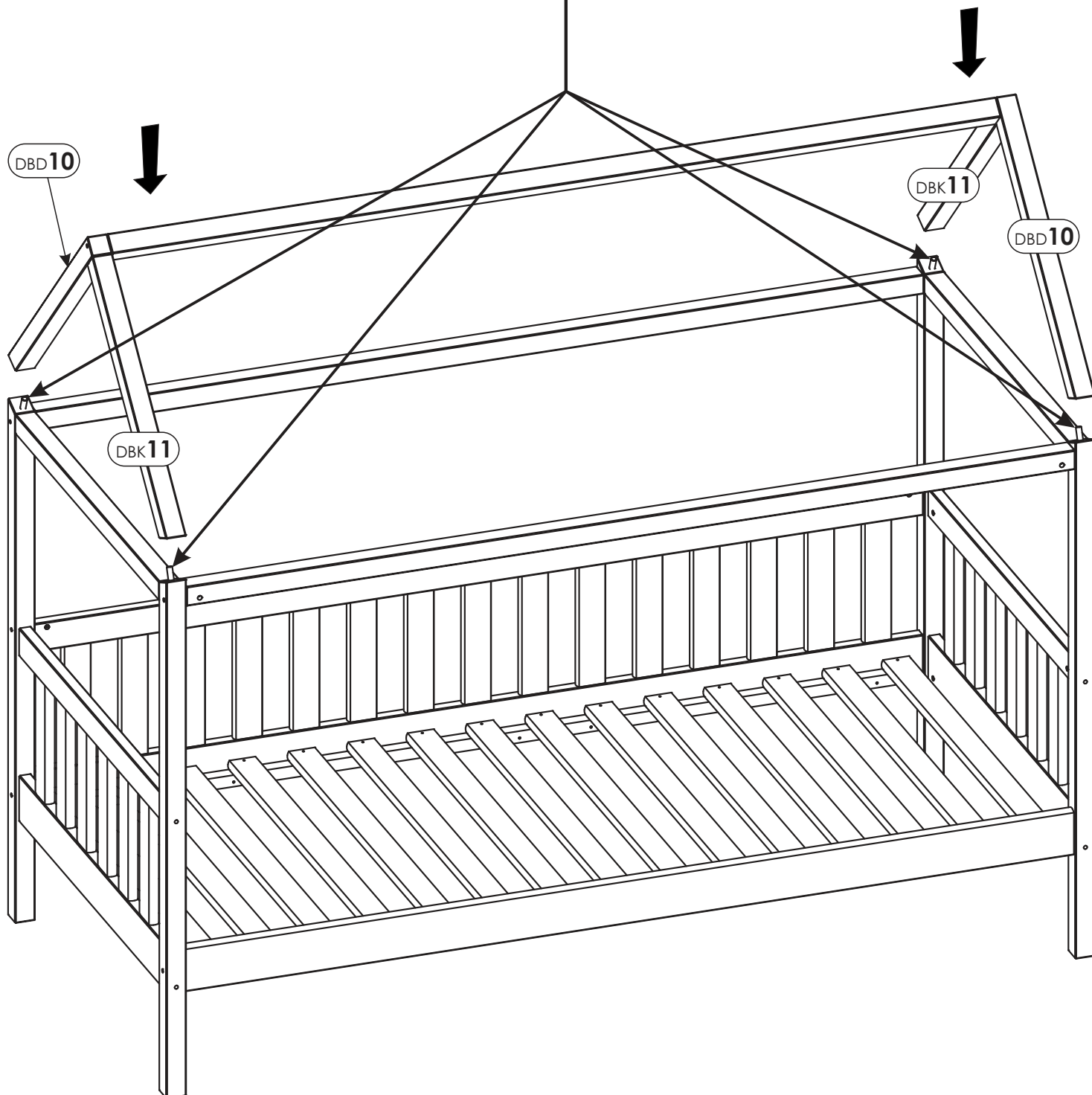
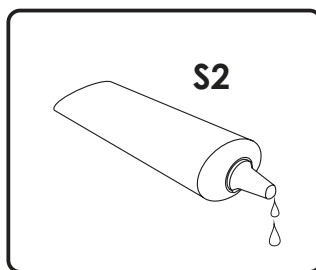
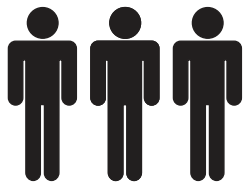
17.



18.



19.



20.

