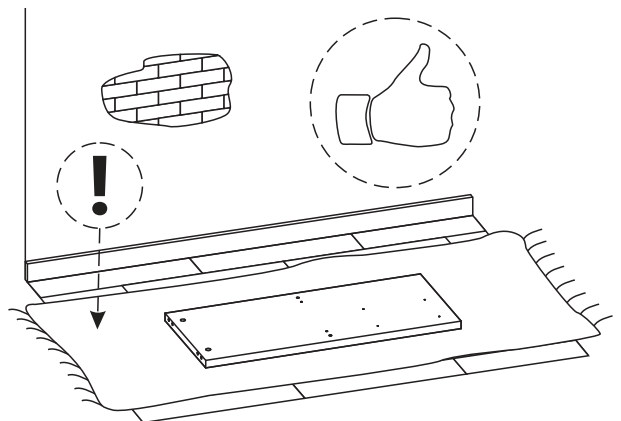
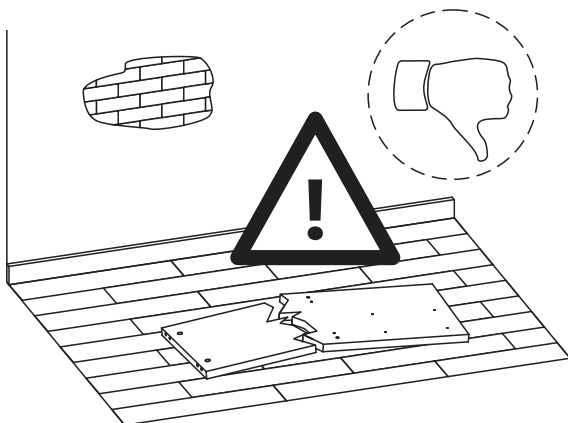
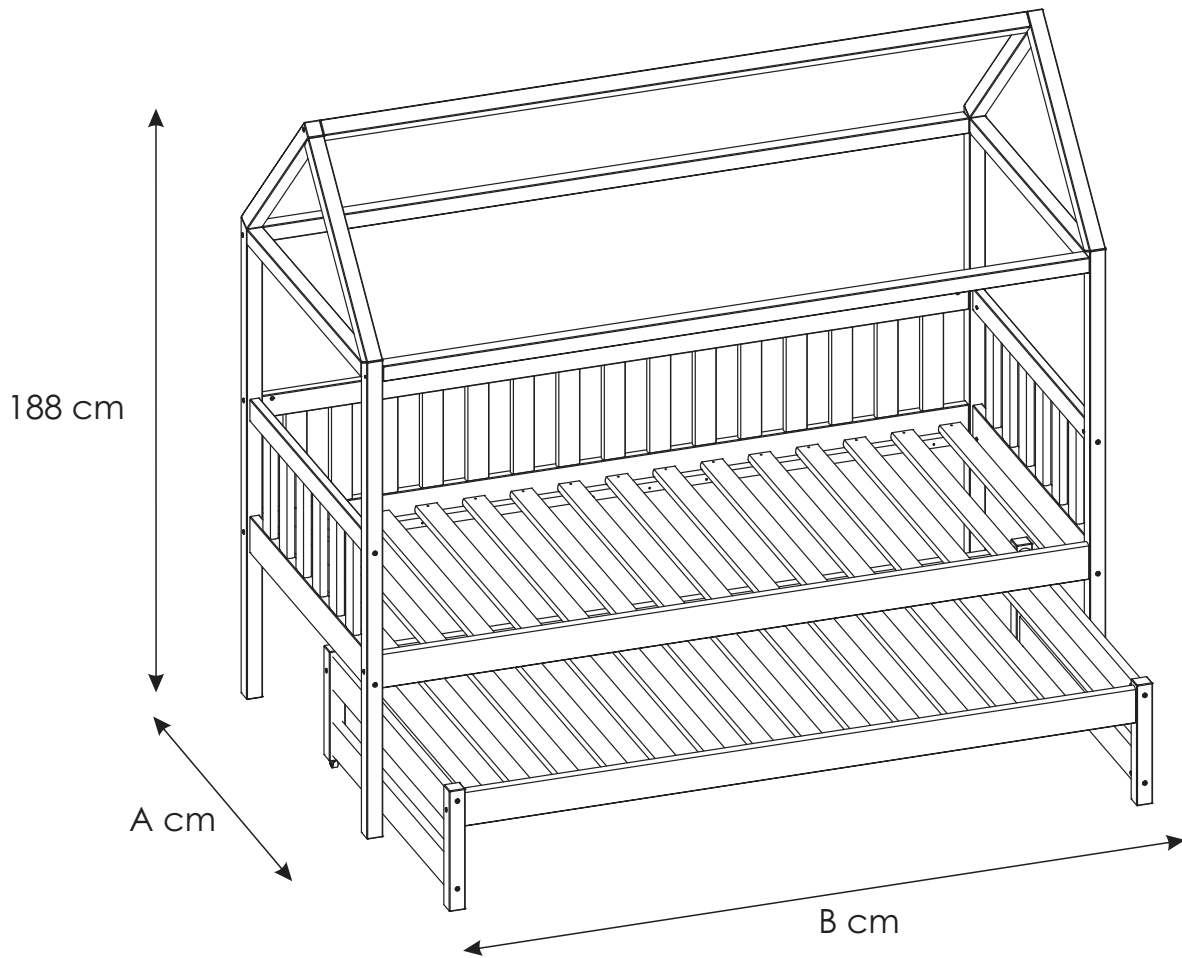
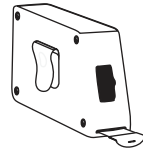
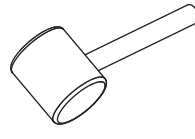
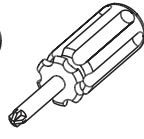
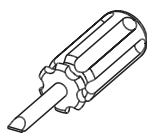
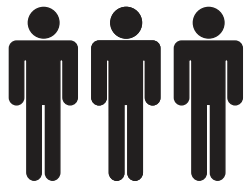
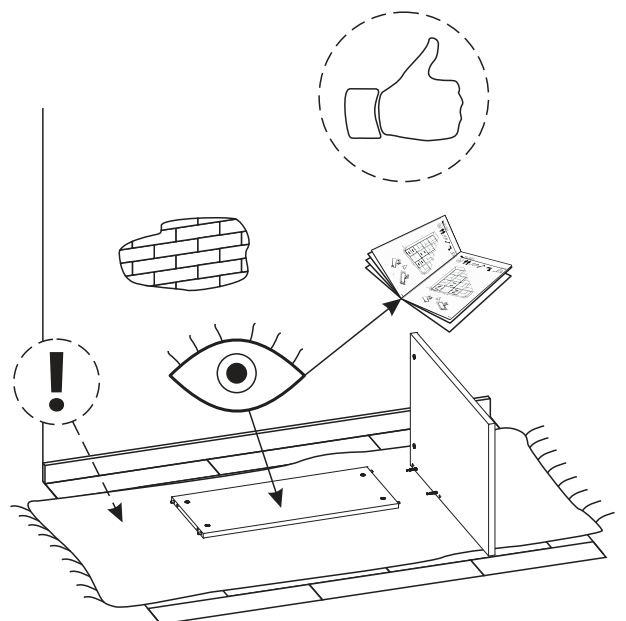
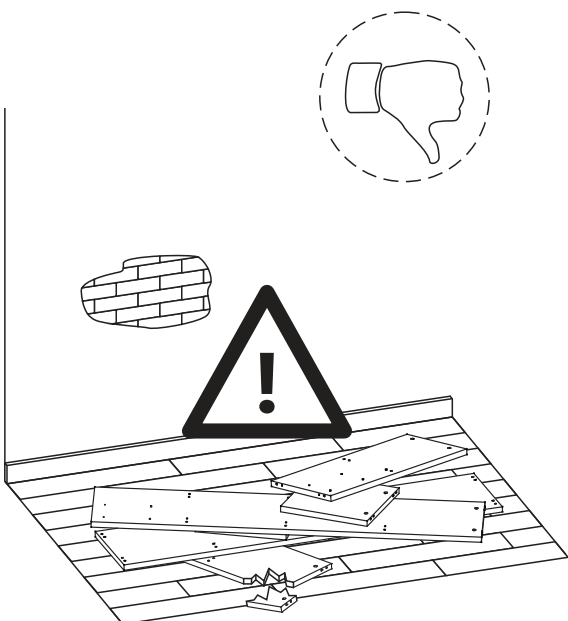
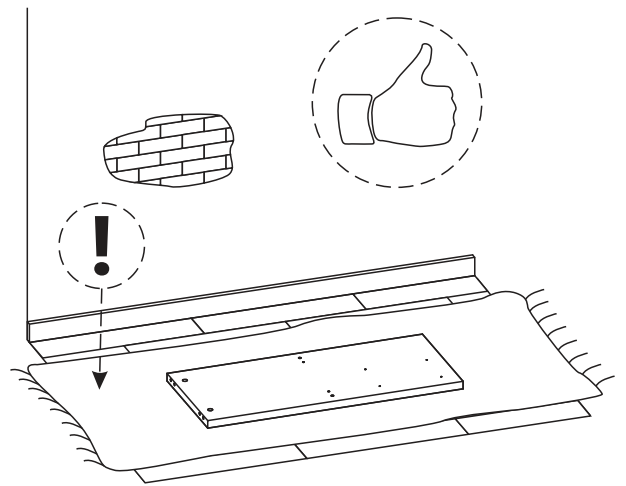
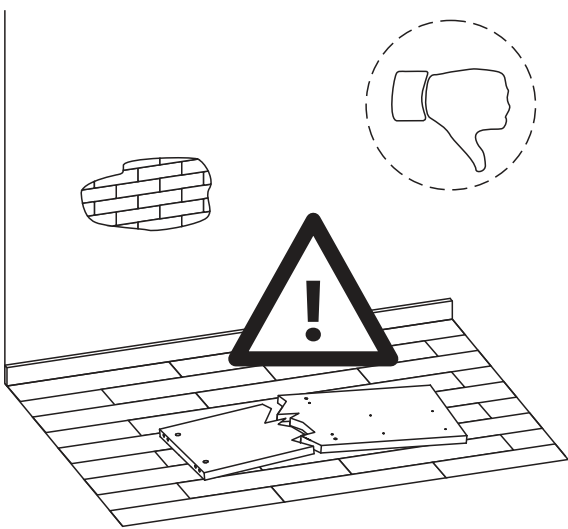
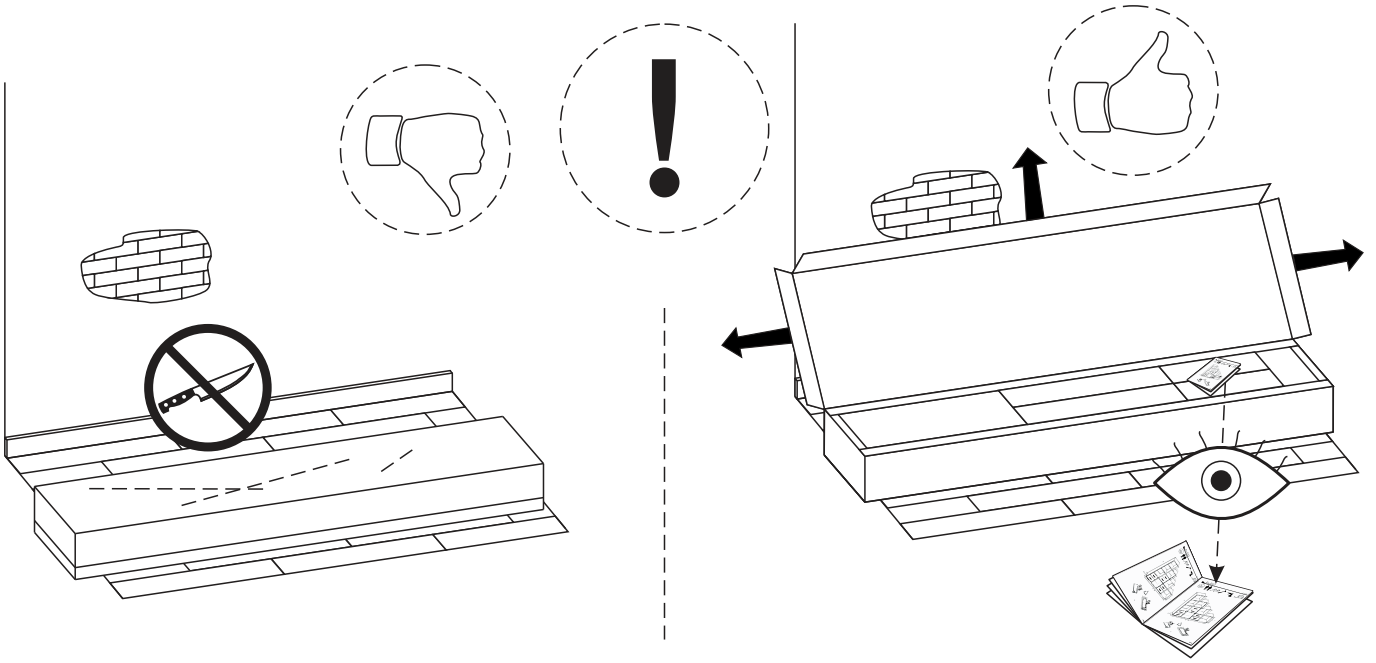
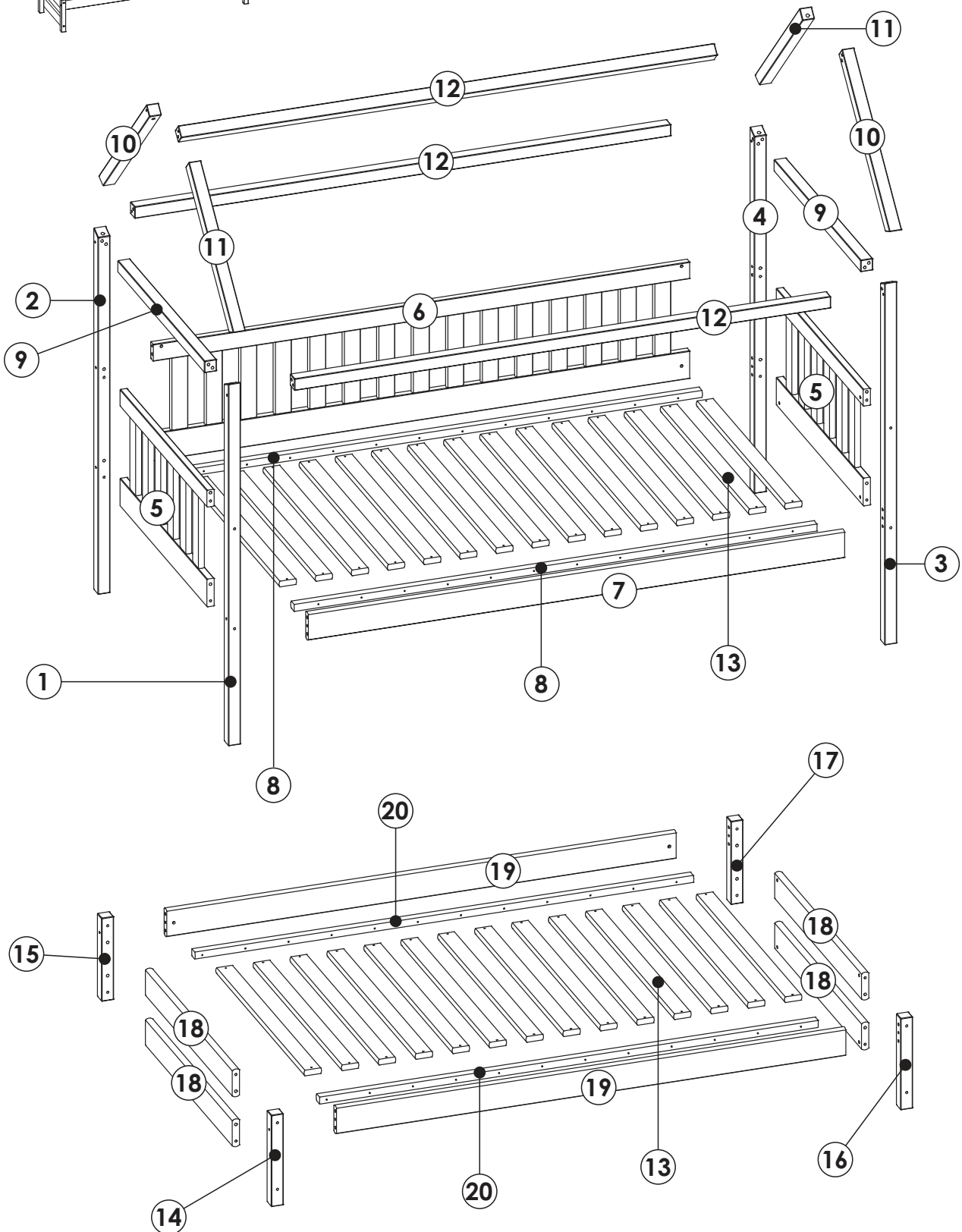


MIESZKO I PLUS





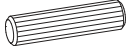

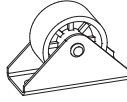


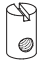
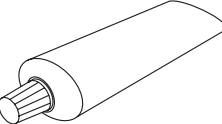
MIESZKO I PLUS




MIESZKO I PLUS


NPLD1	1392	45	45	x1	MPNPLD_02650
NTL2	1392	45	45	x1	MPNTL_02630
NPPD3	1392	45	45	x1	MPNPPD_02660
NTP4	1392	45	45	x1	MPNTP_02640
PBP5	585, 685, 785, 885, 985	449	27	x2	PS_00470 DP_00480 DPT65_01110
PDT6	1190, 1390, 1590, 1690, 1790, 1890, 1990	449	27	x1	PS_00470 DPDC_00670 DPDC_00680
DN7	1190, 1390, 1590, 1690, 1790, 1890, 1990	107	27	x1	DN_00110
LS8	1140, 1340, 1540, 1640, 1740, 1840, 1940	35	27	x2	LS_00160
DPK9	585, 685, 785, 885, 985	45	45	x2	DDPK_01680
DBD10	689	45	45	x2	DDBD_01290
DBK11	644	45	45	x2	DDBK_01300
DP12	1190, 1390, 1590, 1690, 1790, 1890, 1990	45	45	x3	DDP_01310
WPL14	352	45	45	x1	NWPL_01060
WTL15	320	45	45	x1	NWTL_01080
WPP16	352	45	45	x1	NWPP_01070
WTP17	320	45	45	x1	NWTP_01090
DST18	585, 685, 785, 885, 985	107	27	x4	DST_00120
DND19	1090, 1290, 1490, 1590, 1690, 1790, 1890	107	27	x2	DN_00110
LSD20	1050, 1250, 1450, 1550, 1650, 1750, 1850	35	27	x2	LS_00160

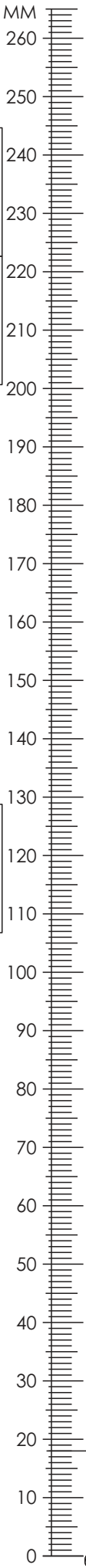
MIESZKO I PLUS

<p>A2 akc_0002</p>  <p>10 x 40 mm</p> <p style="text-align: right;">x48</p>	<p>A3 akc_0003</p>  <p>12 x 60 mm</p> <p style="text-align: right;">x6</p>	<p>J1 akc_0016</p>  <p style="text-align: right;">x2</p>
<p>M akc_0005</p>  <p style="text-align: right;">x1</p>	<p>N1 akc_0006</p>  <p>6 x 80 mm</p> <p style="text-align: right;">x32</p>	<p>S1 akc_0008</p>  <p>10 x 16 mm</p> <p style="text-align: right;">x32</p>
<p>S2 akc_0018</p>  <p style="text-align: right;">x1</p>		

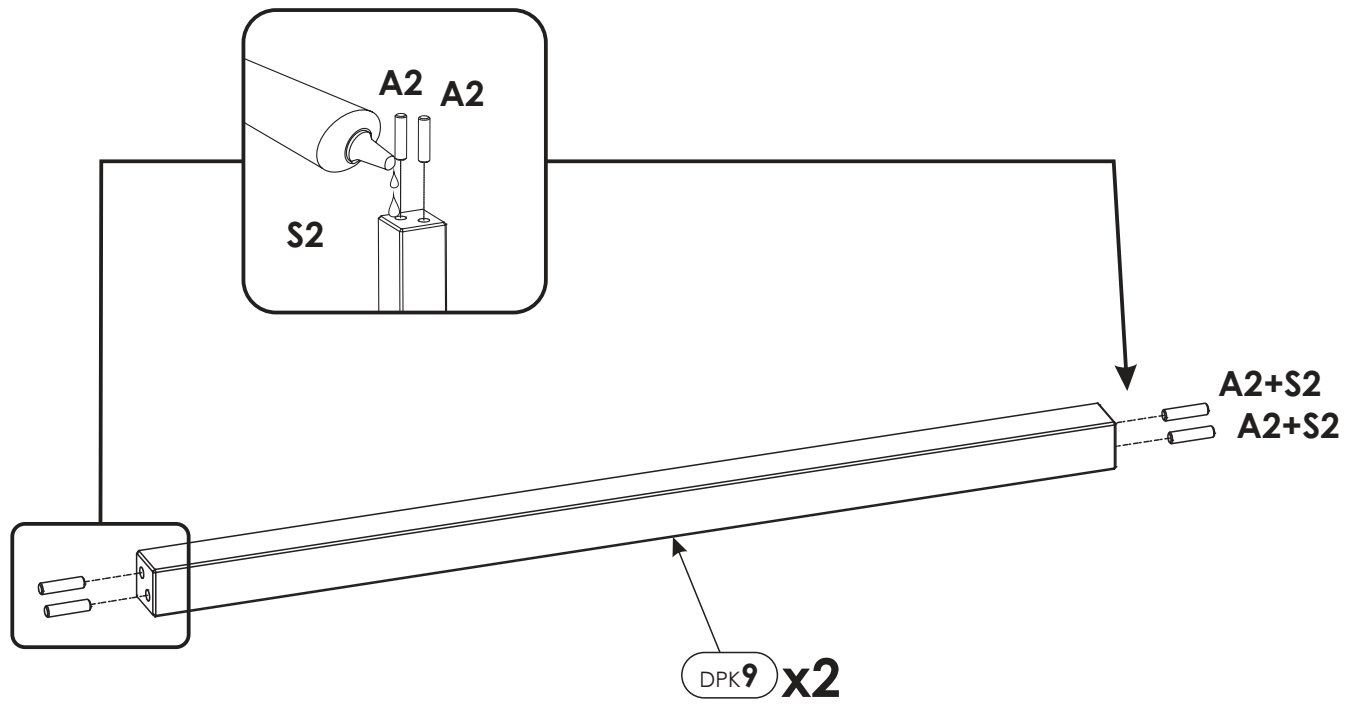
----- OPTION -----

<p>W1 akc_0009</p>  <p>3,5 x 40 mm</p> <p style="text-align: right;">38 < x < 62</p>

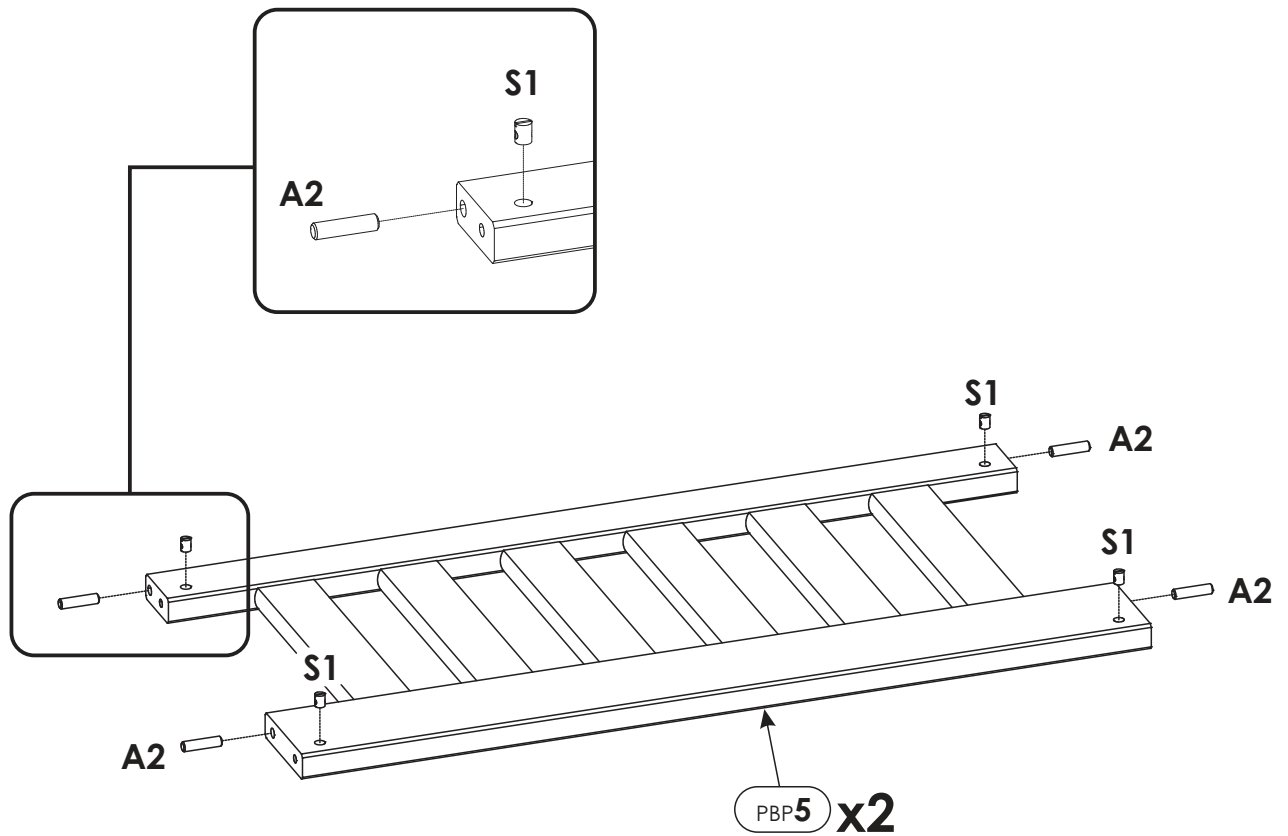
<p>W3 akc_0011</p>  <p>4 x 50 mm</p> <p style="text-align: right;">40 < x < 48</p>



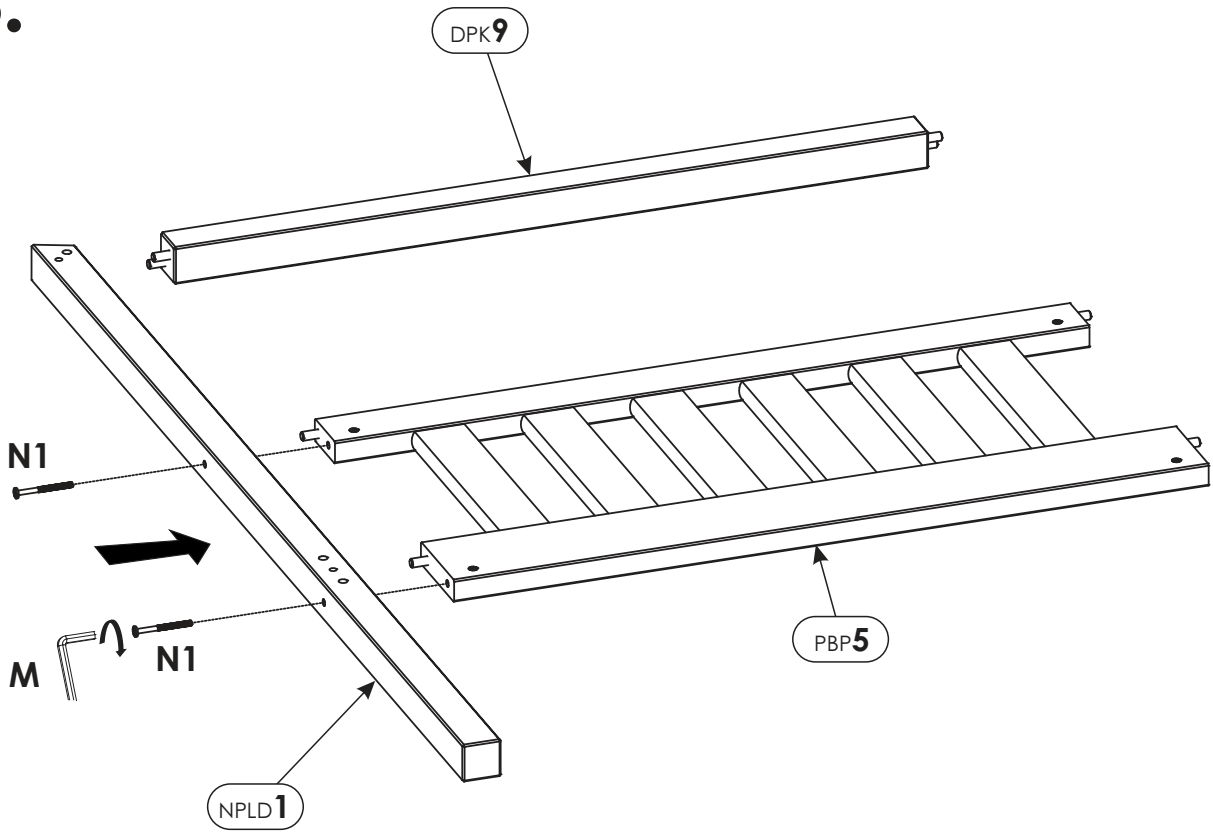
1.



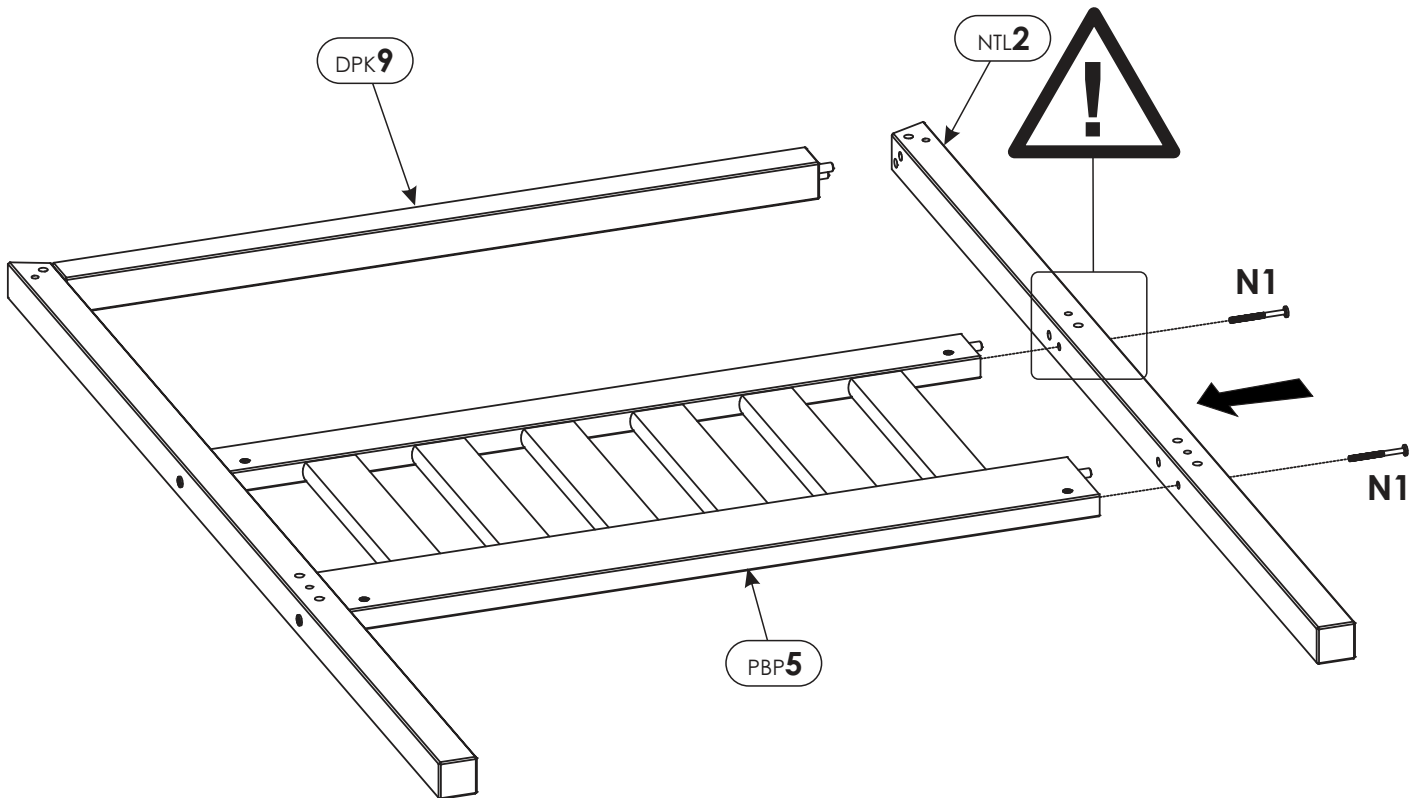
2.



3.

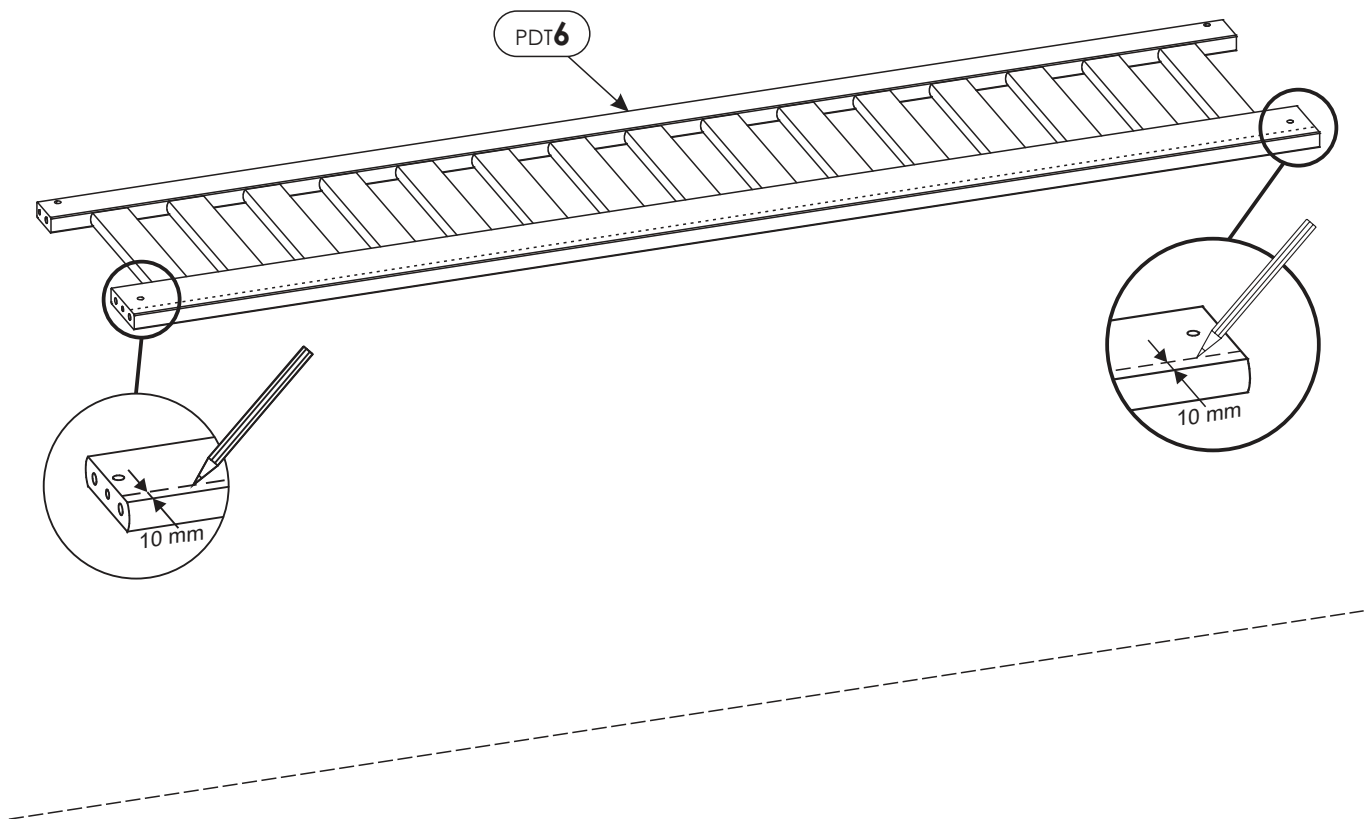


4.

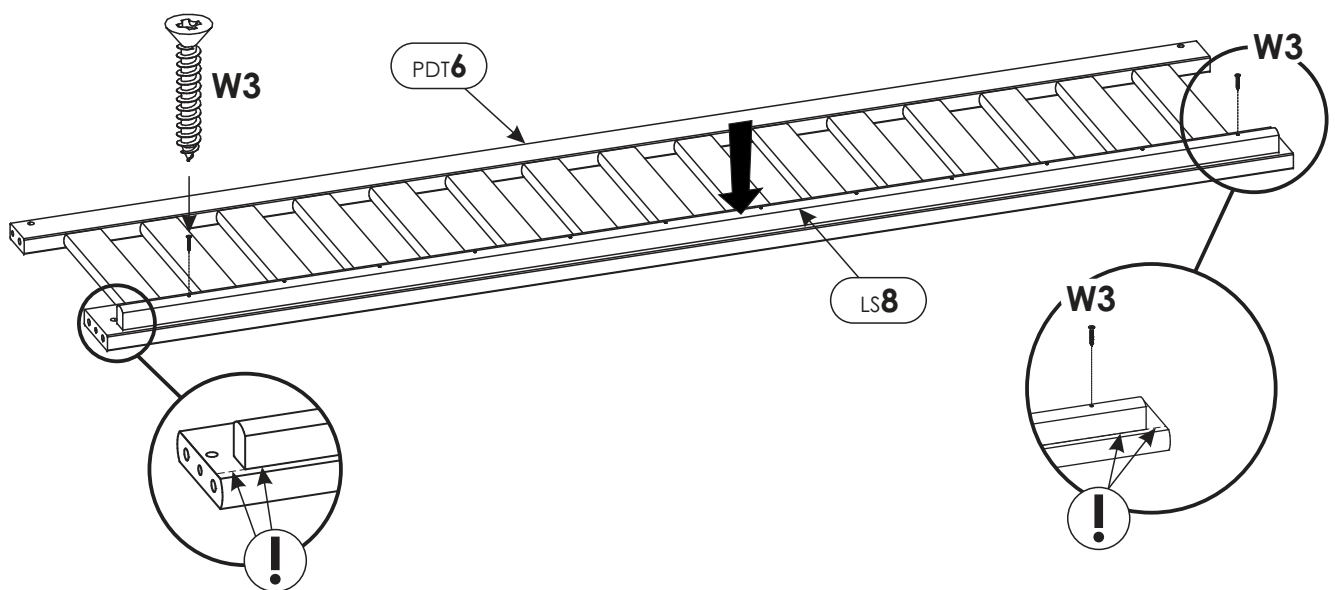


5.

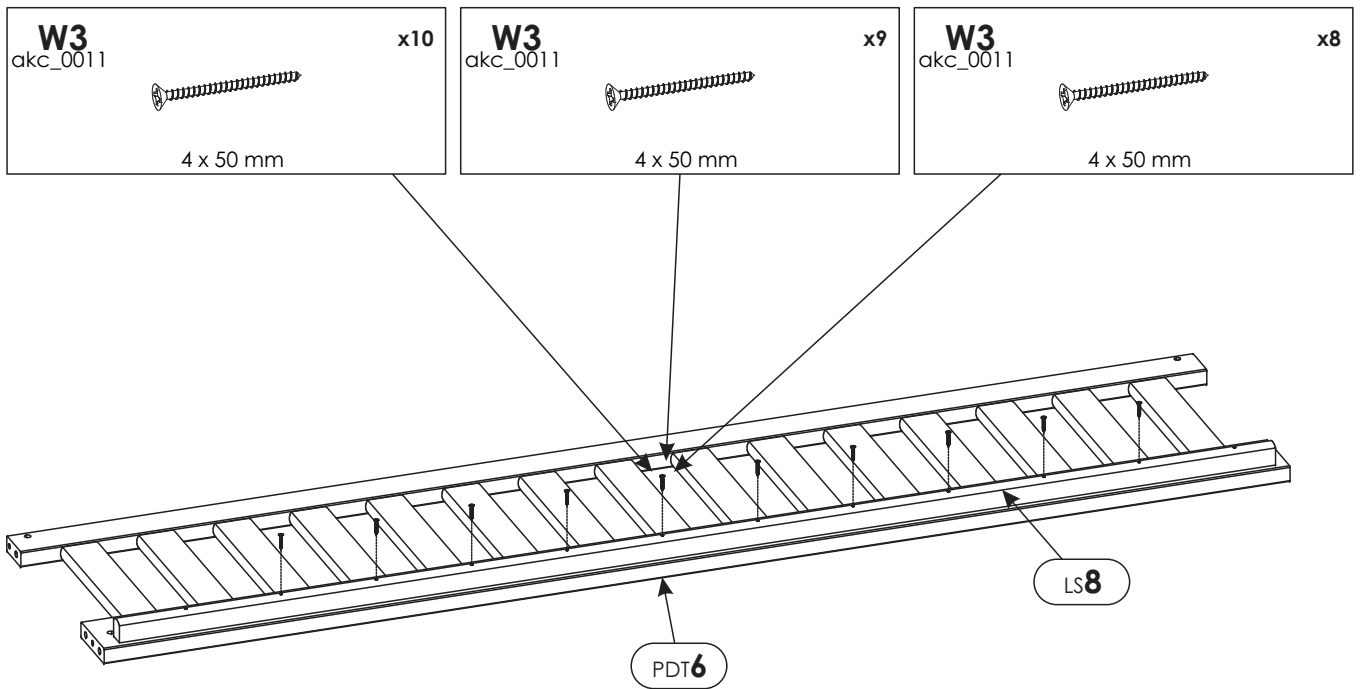
5.1



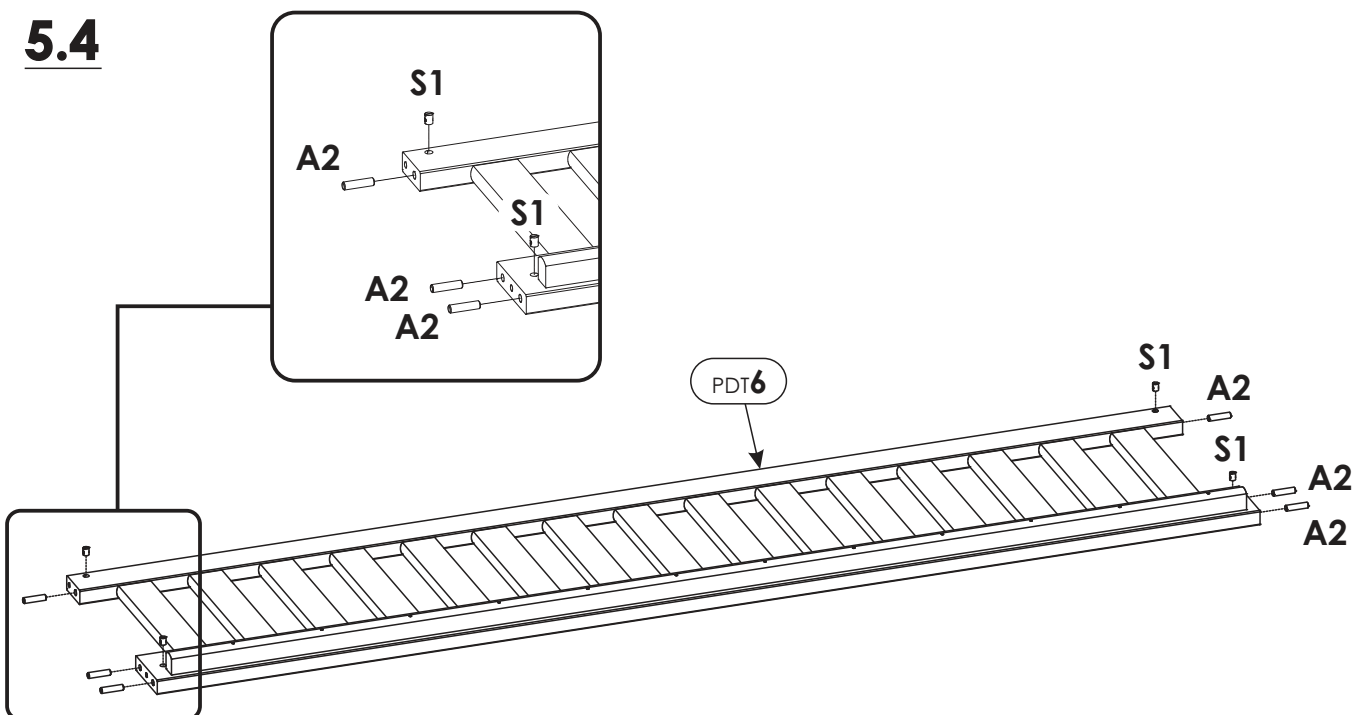
5.2



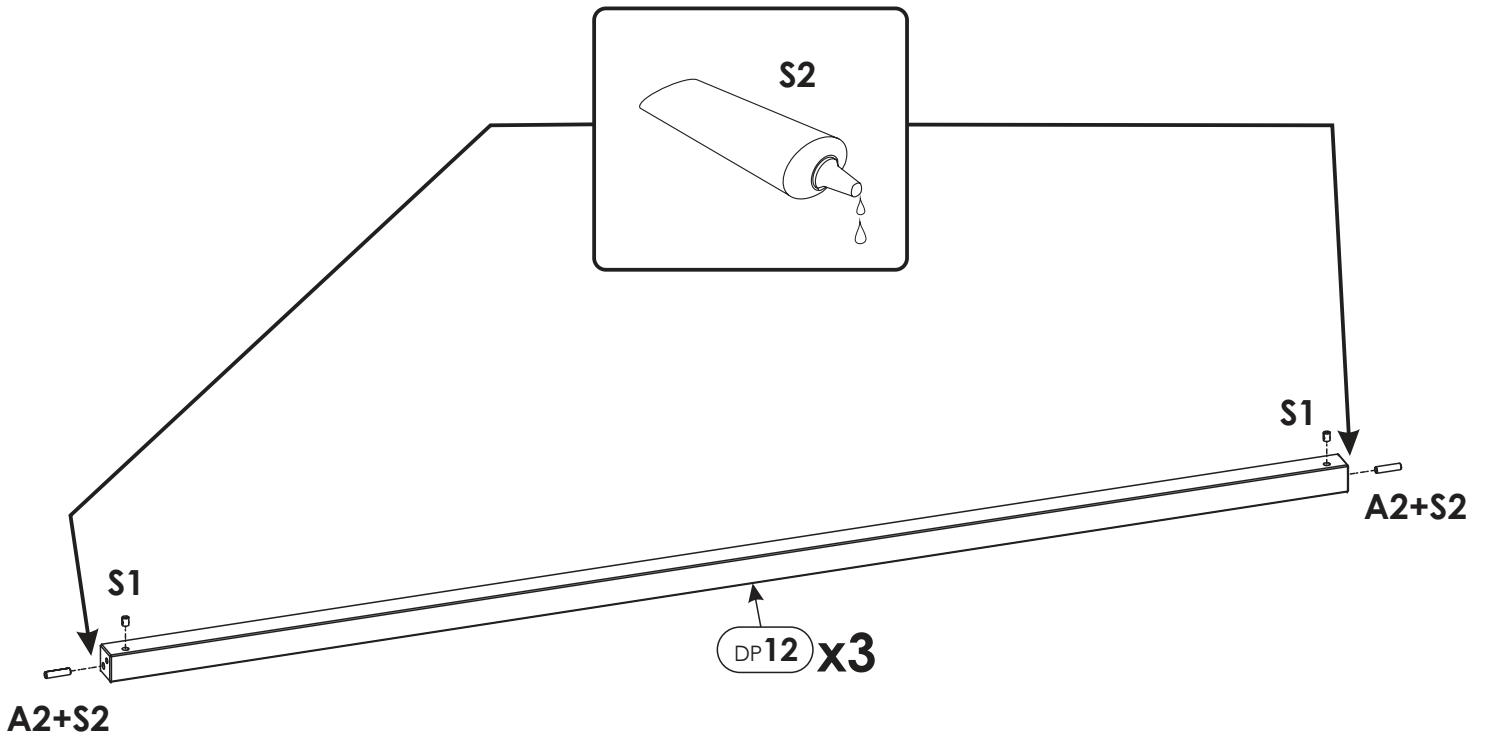
5.3



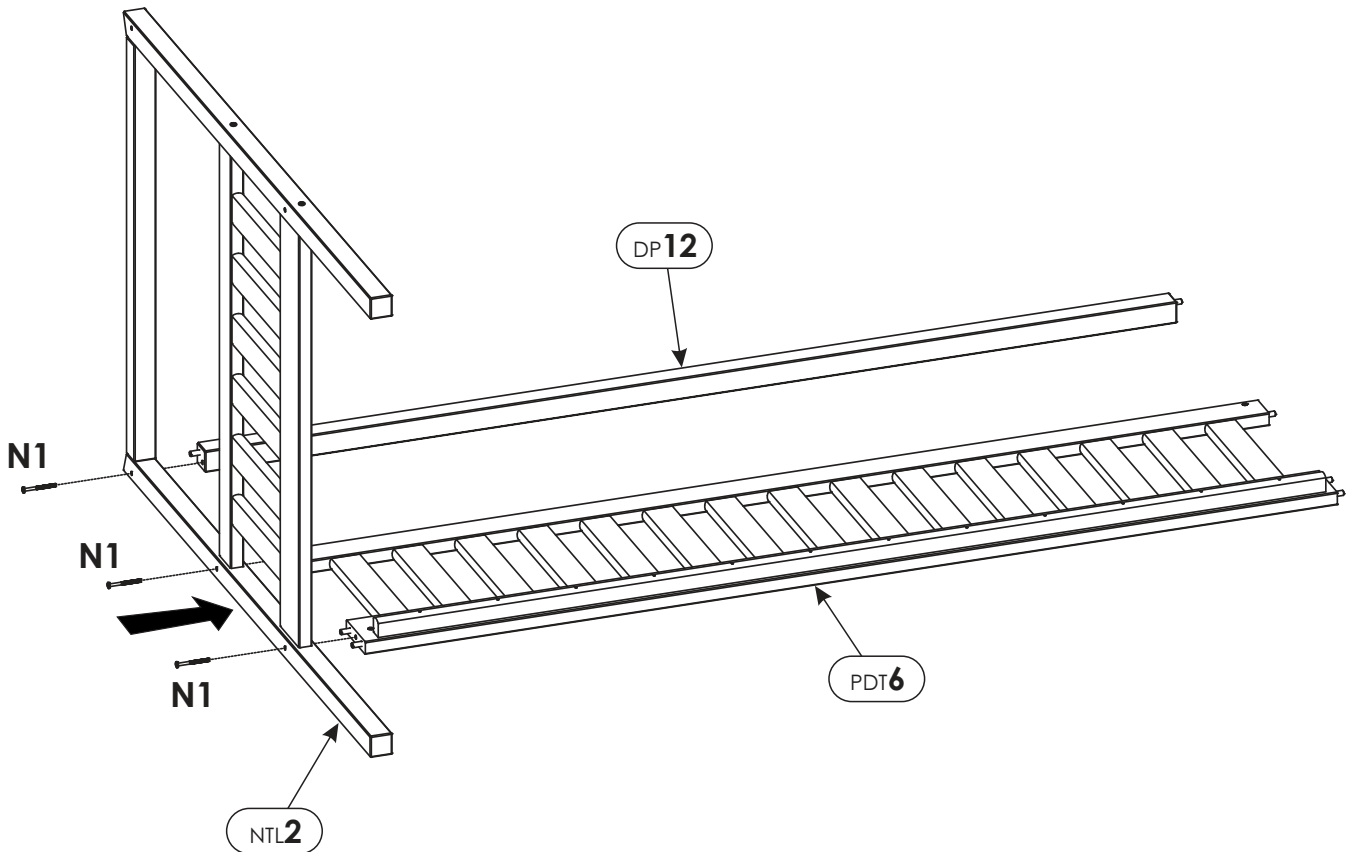
5.4



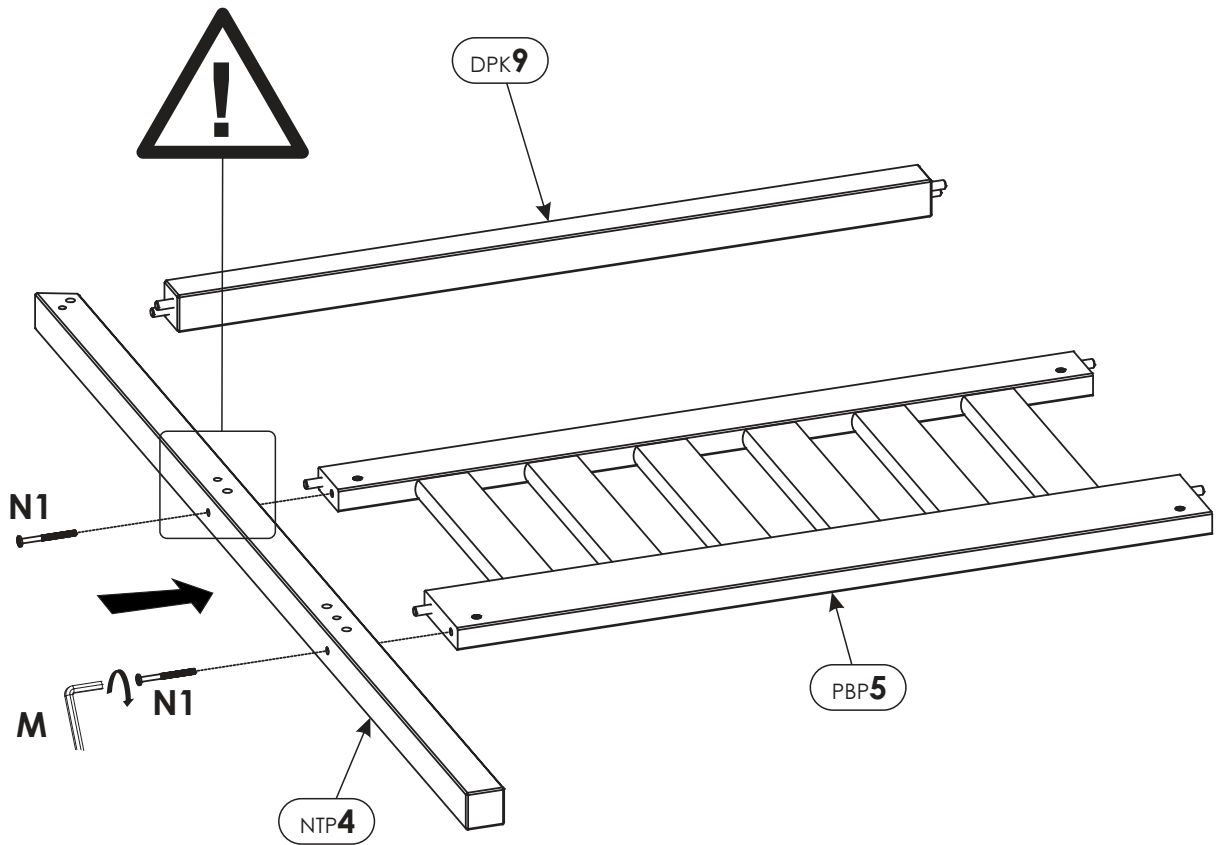
6.



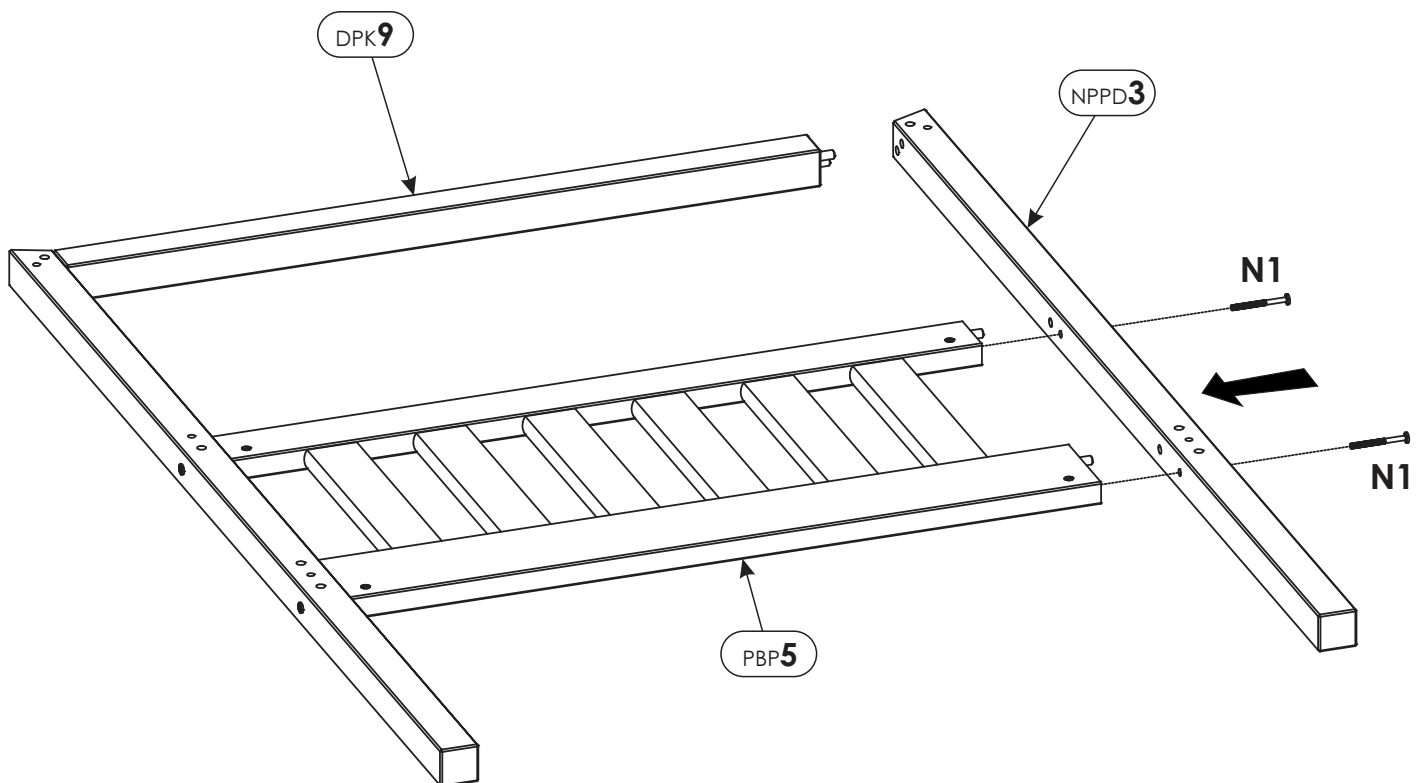
7.



8.

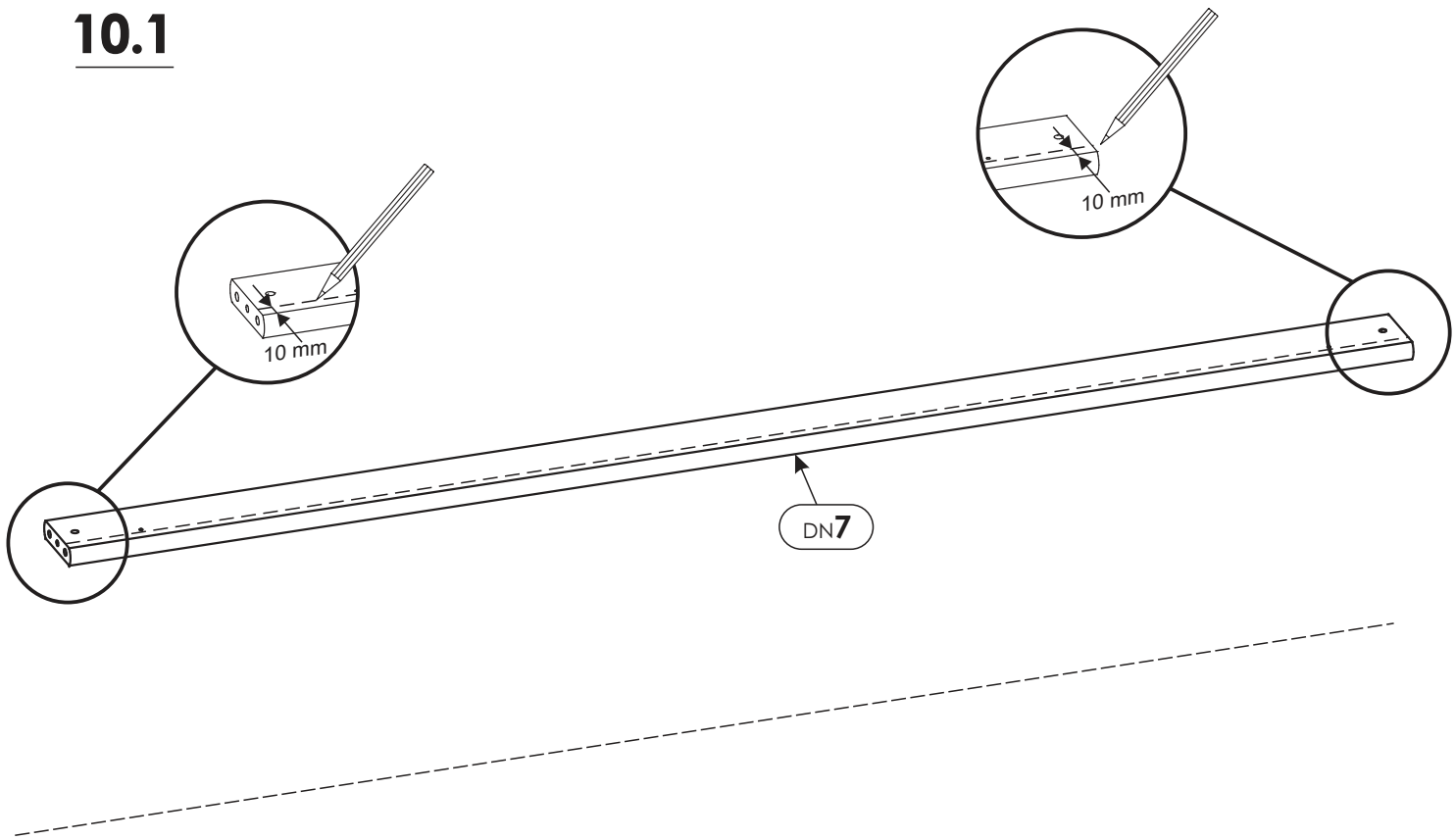


9.

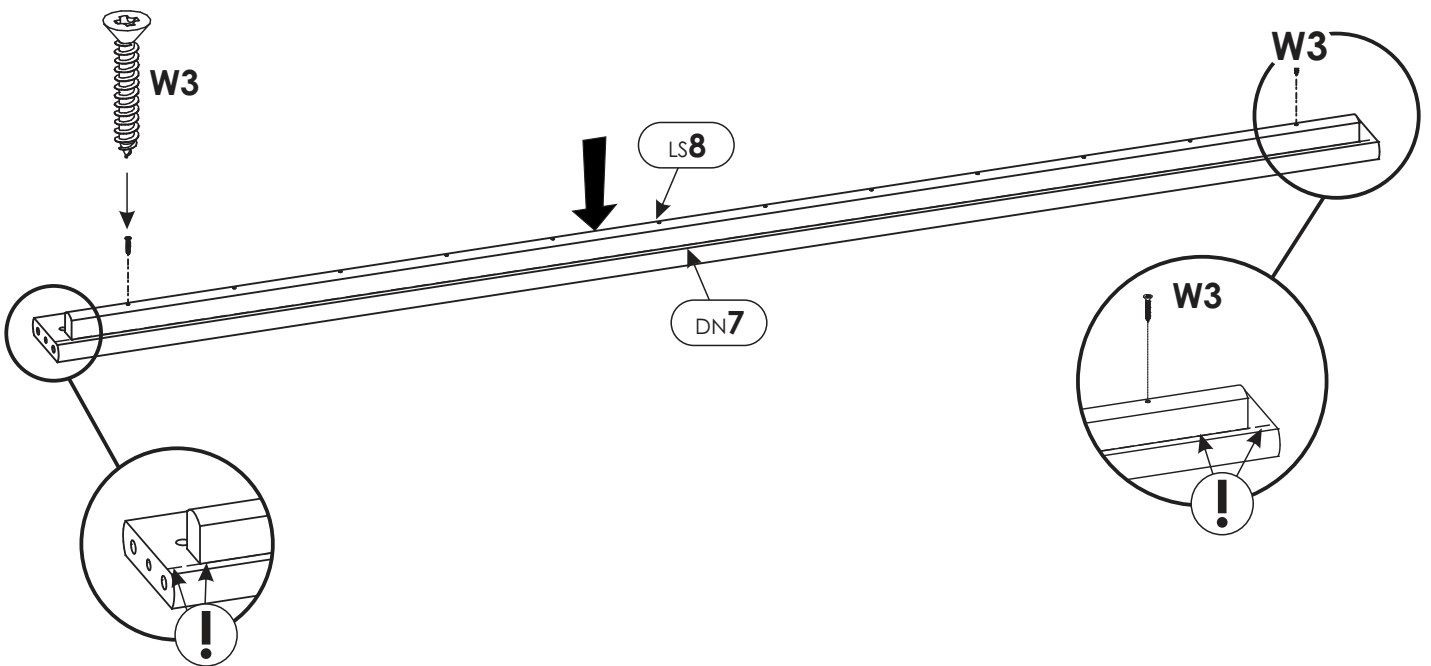


10.

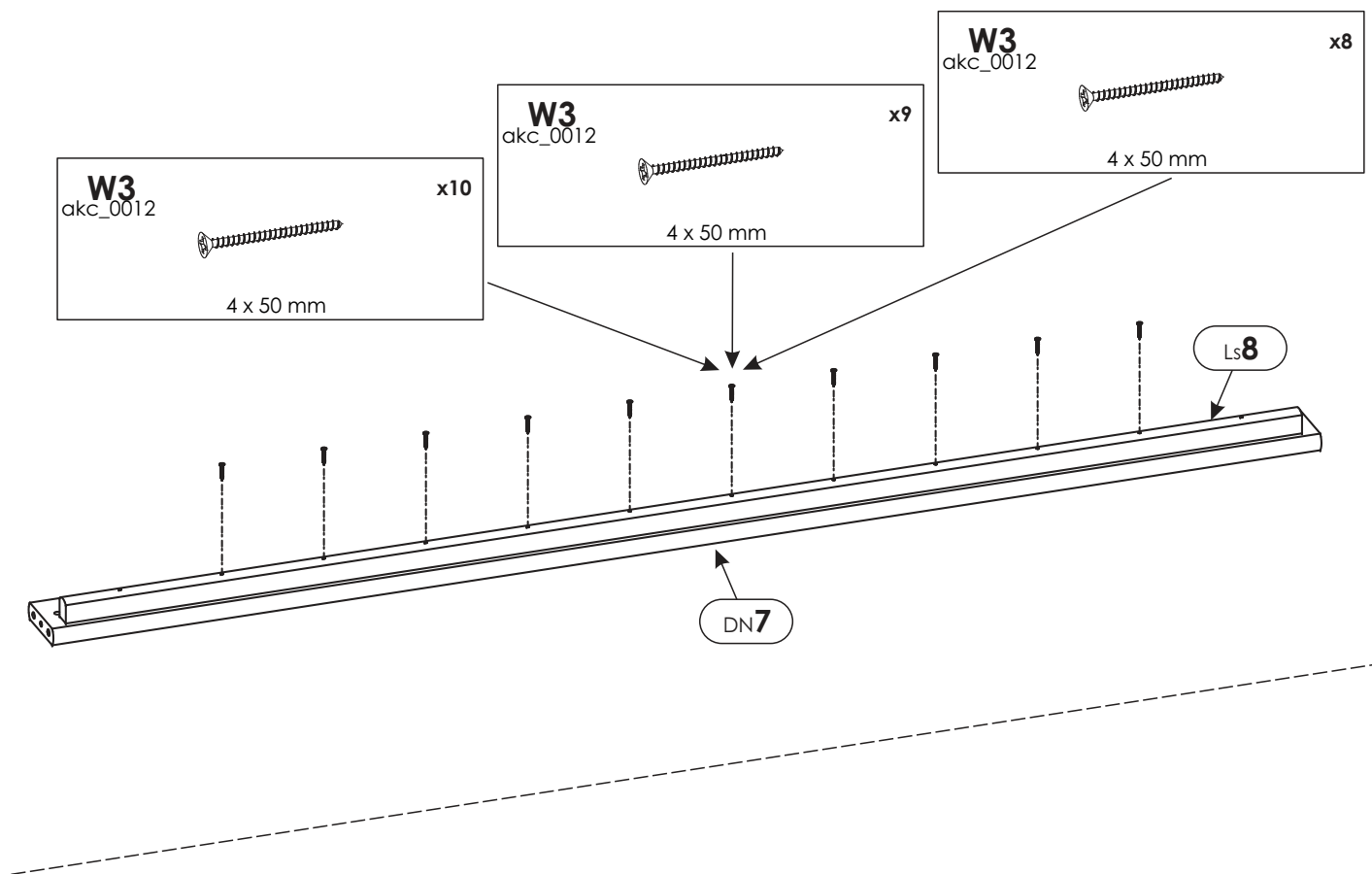
10.1



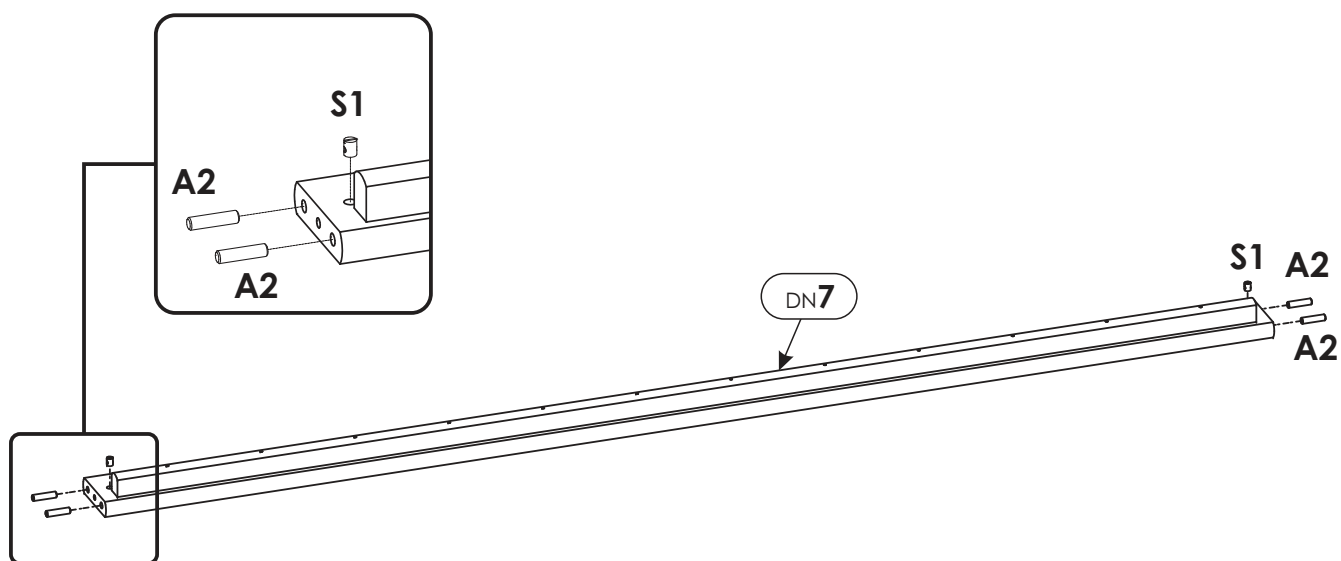
10.2



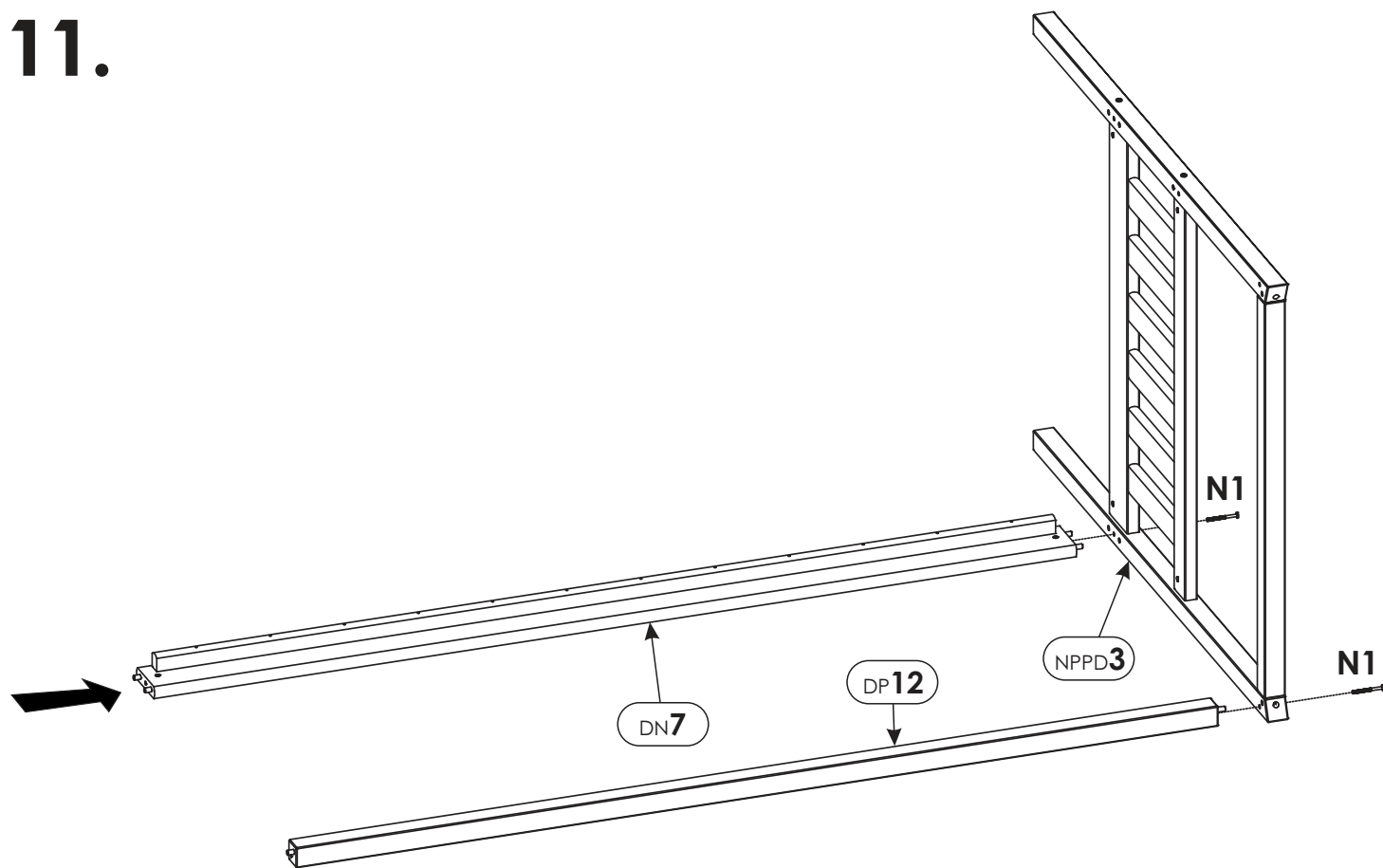
10.3



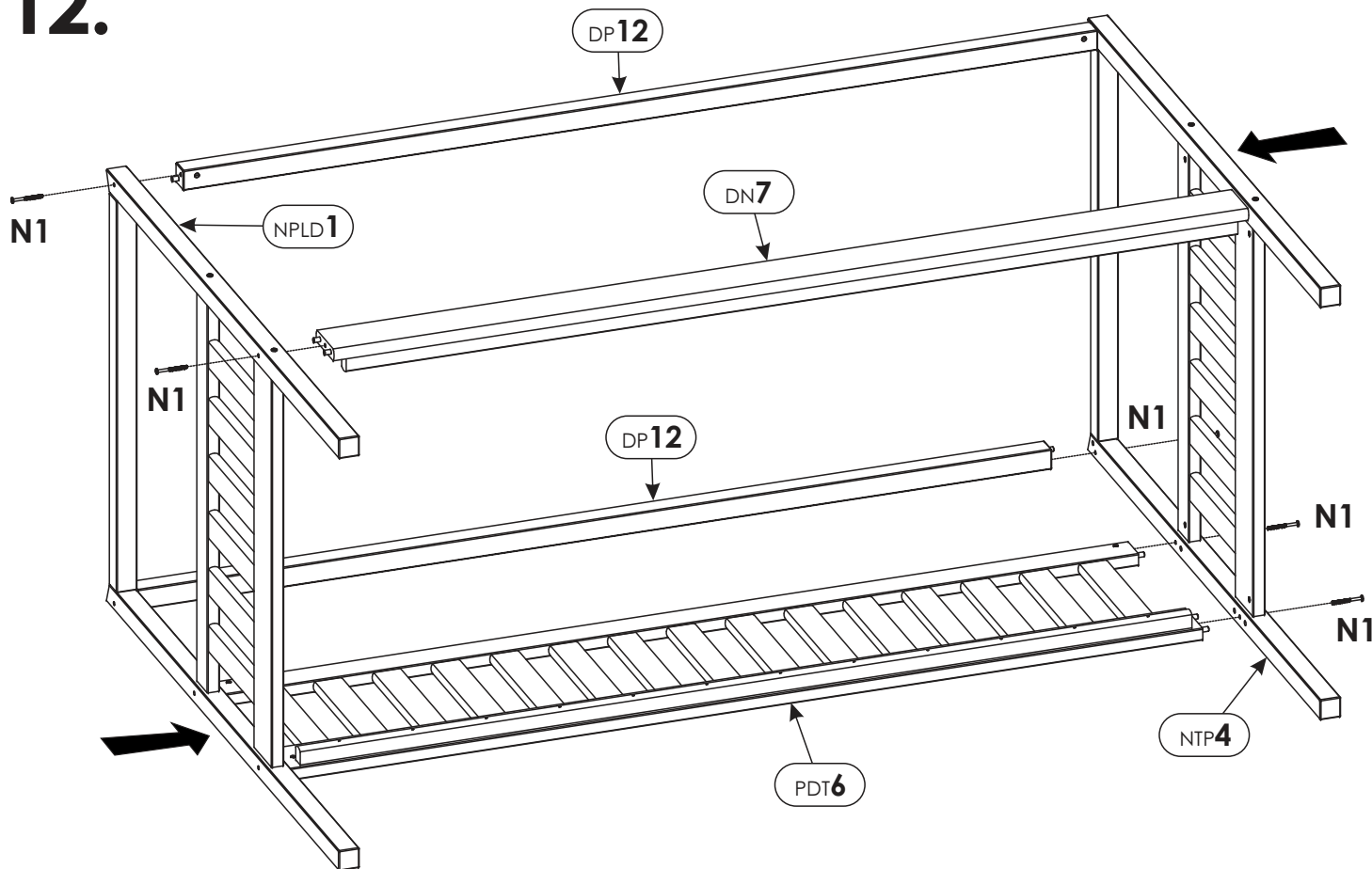
10.4



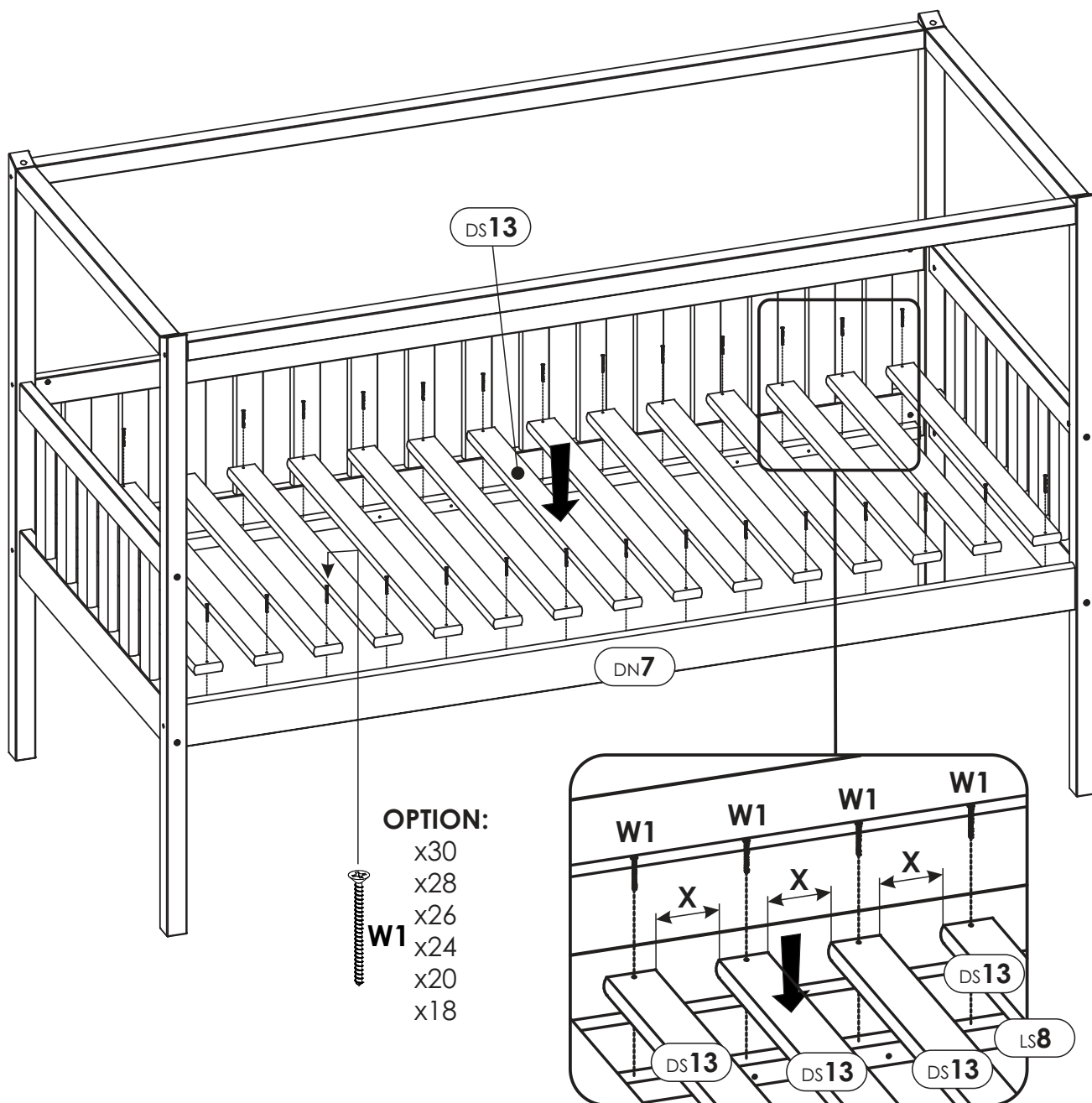
11.



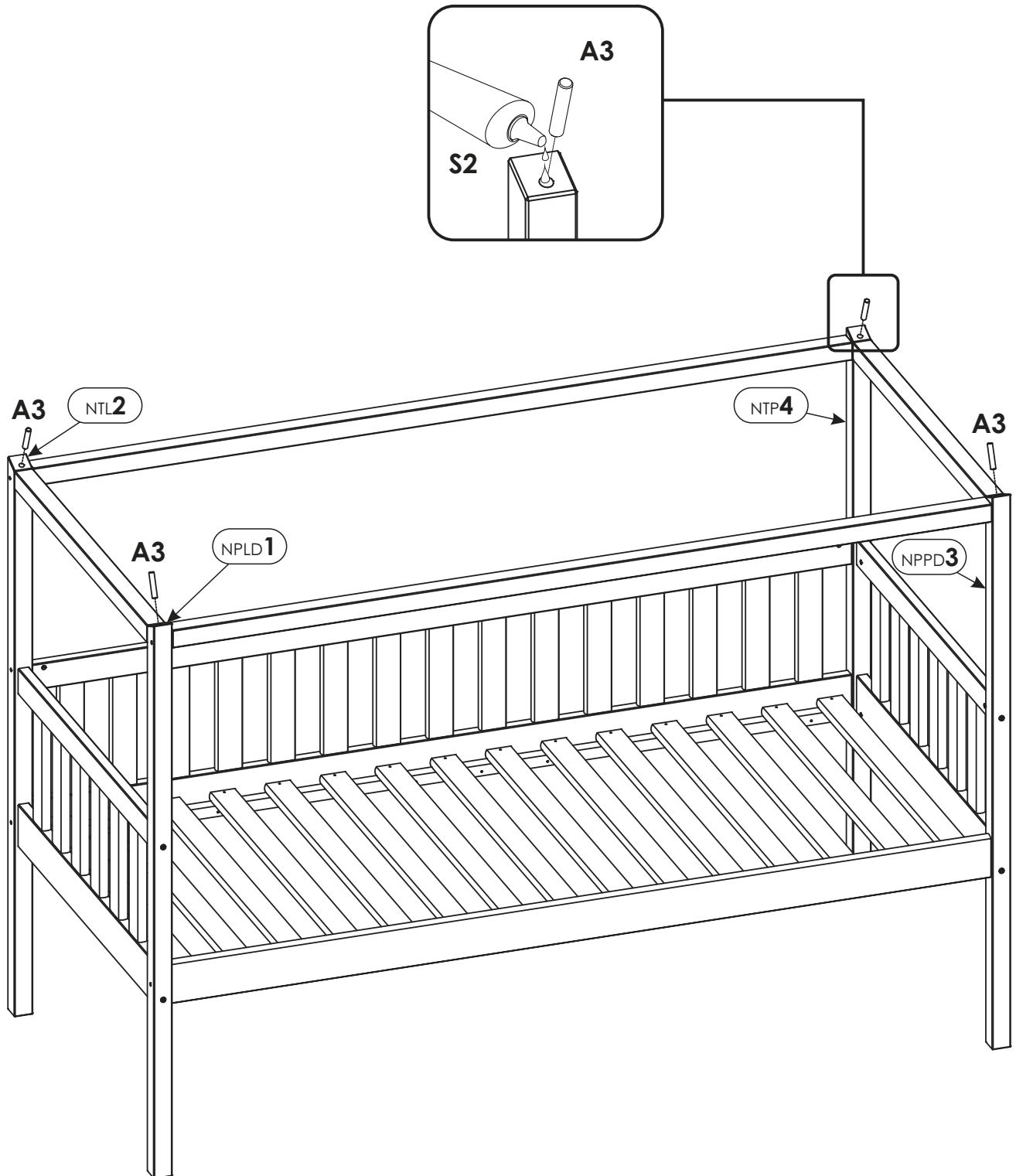
12.



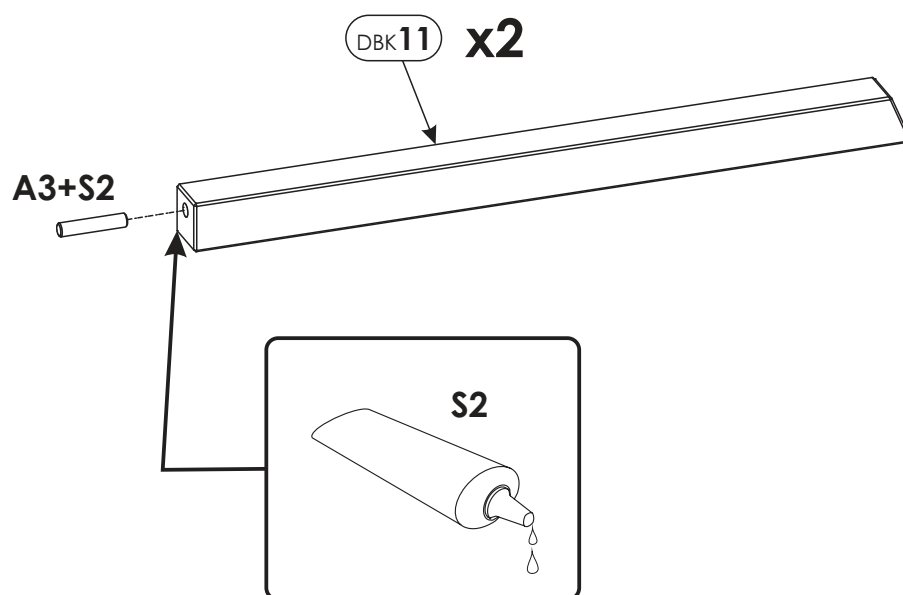
13.



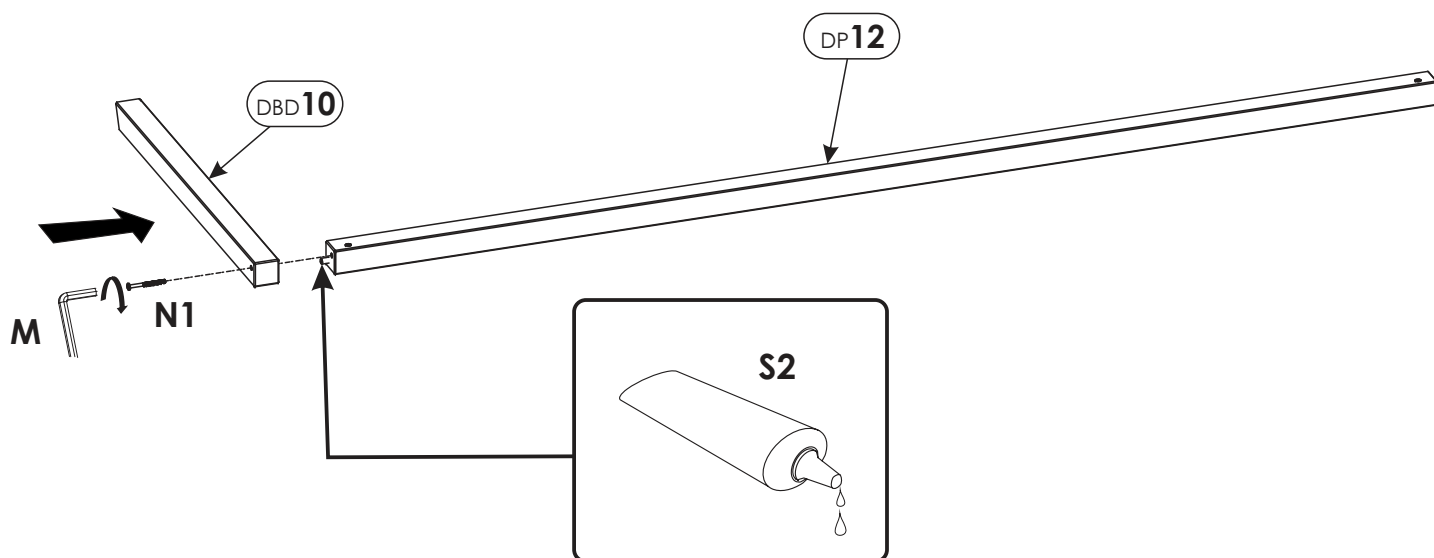
14.



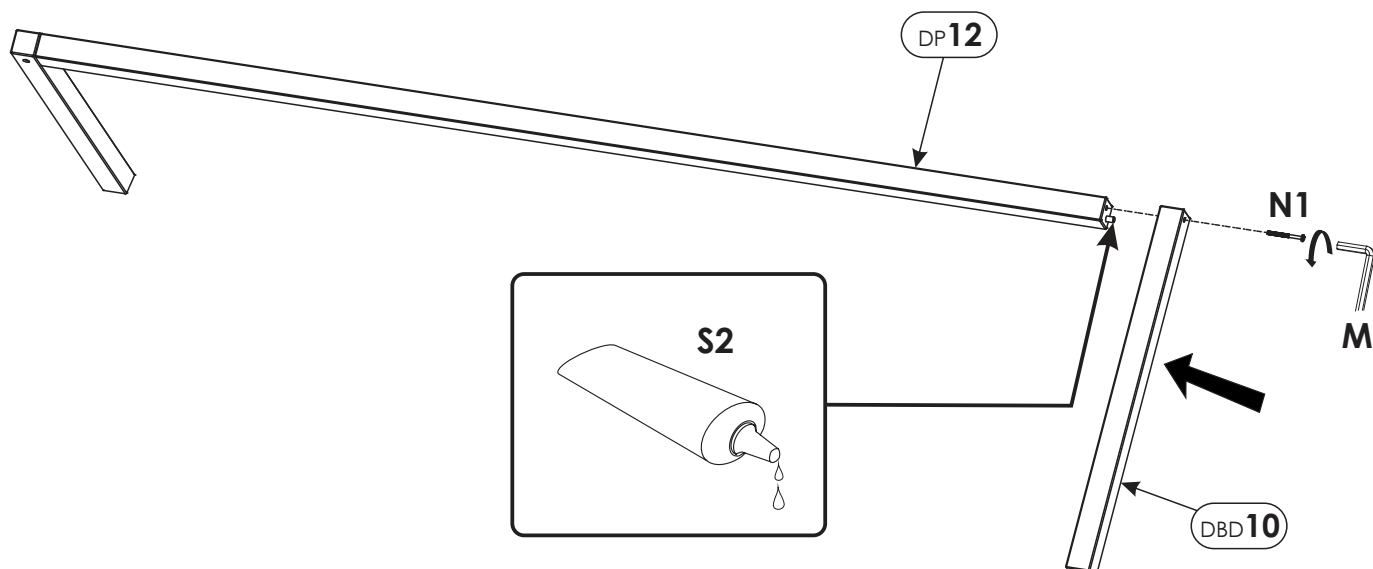
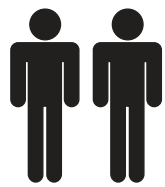
15.



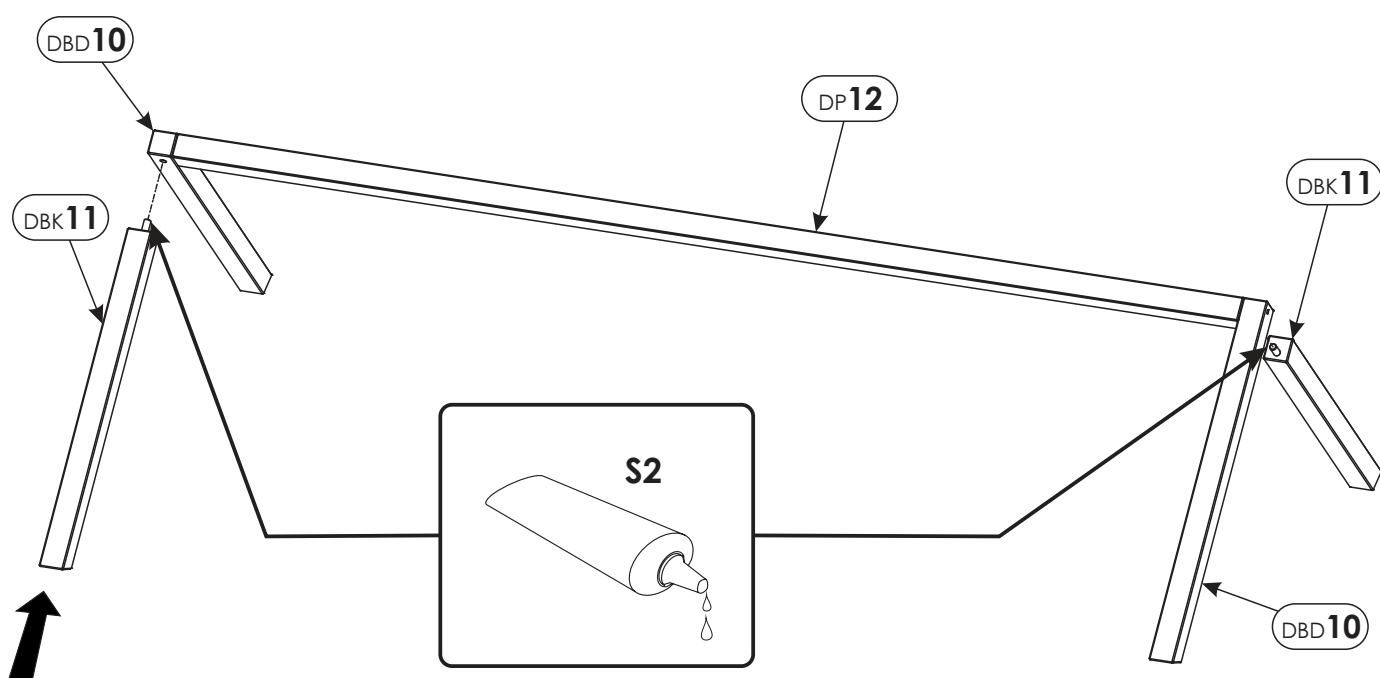
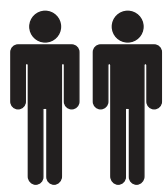
16.



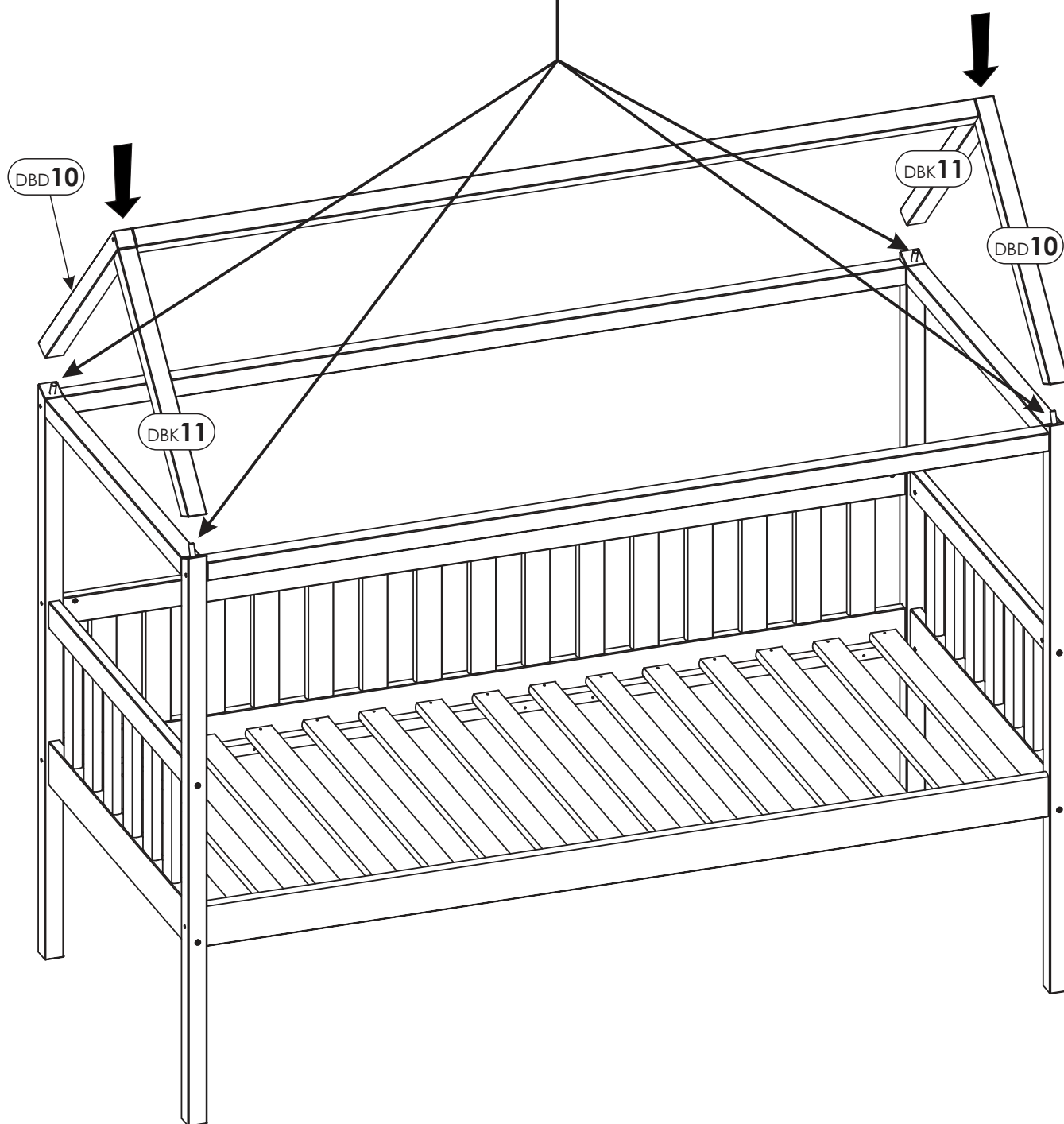
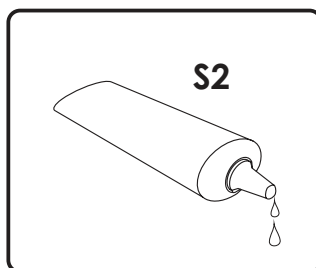
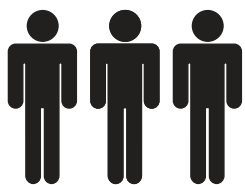
17.



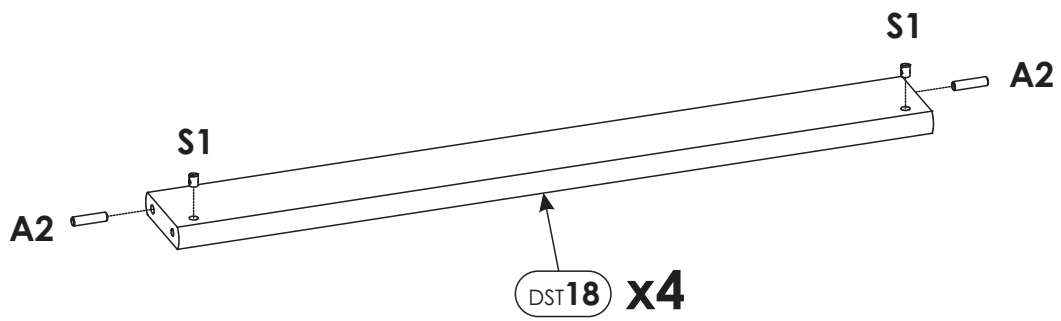
18.



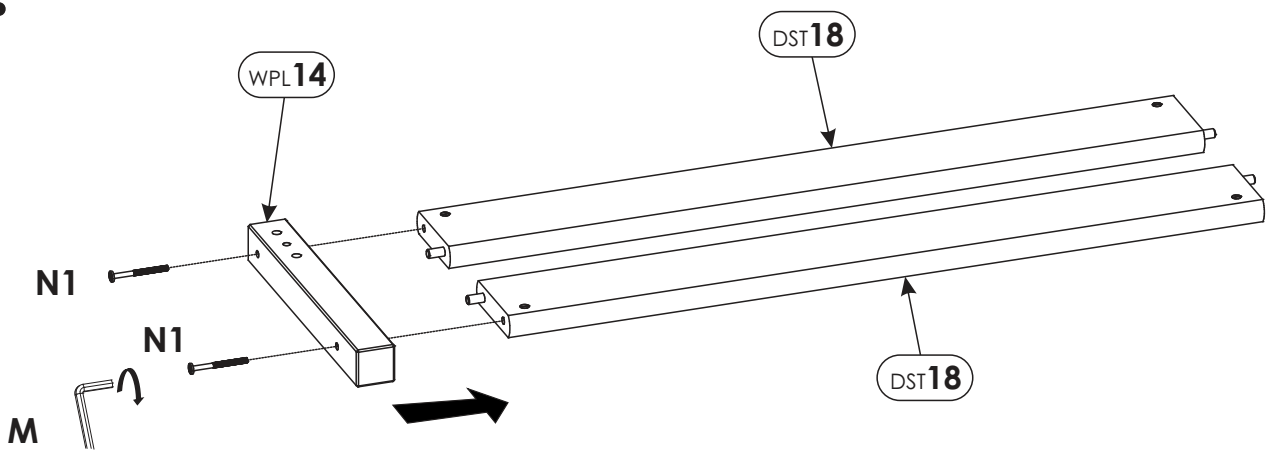
19.



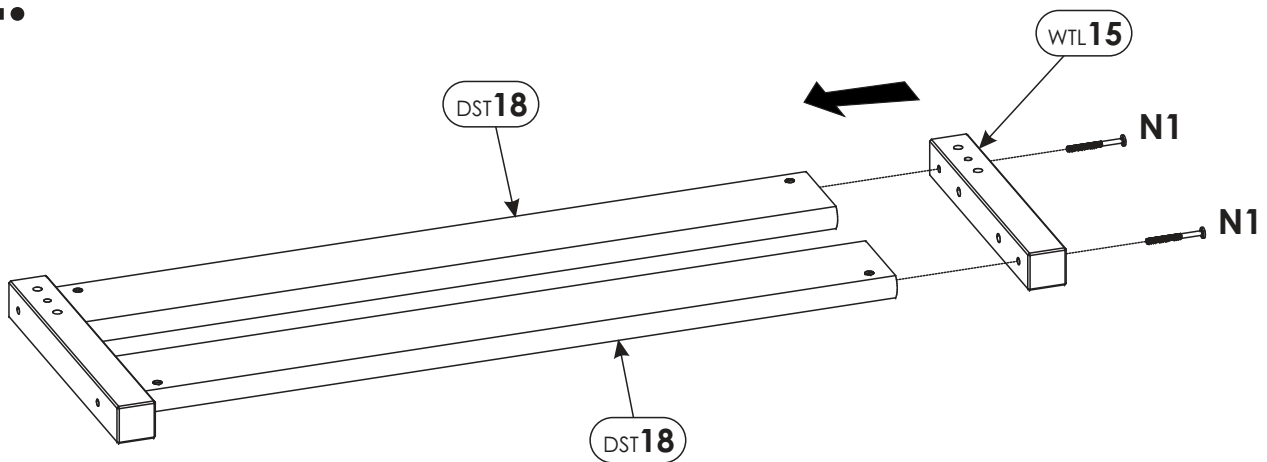
20.



21.

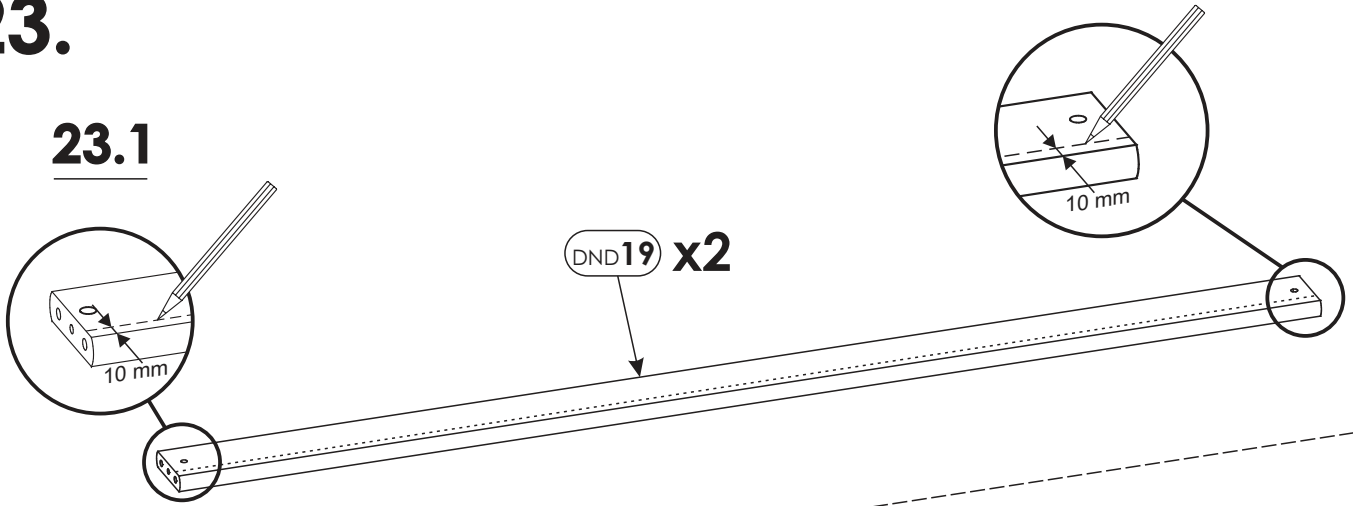


22.

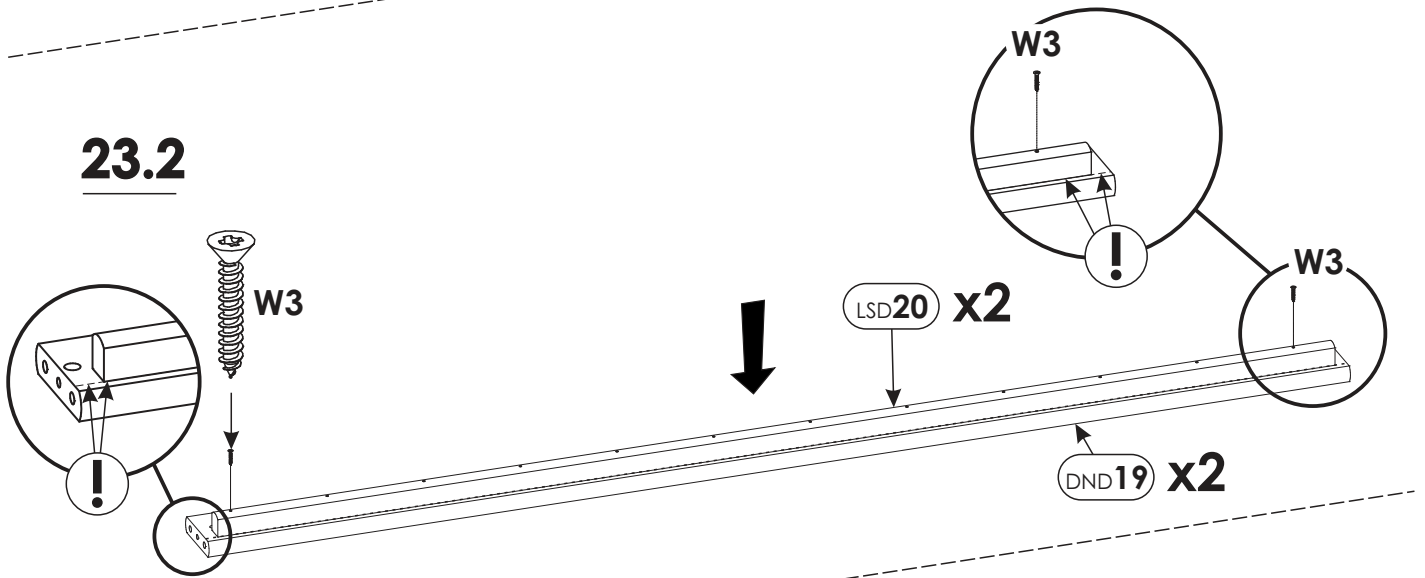


23.

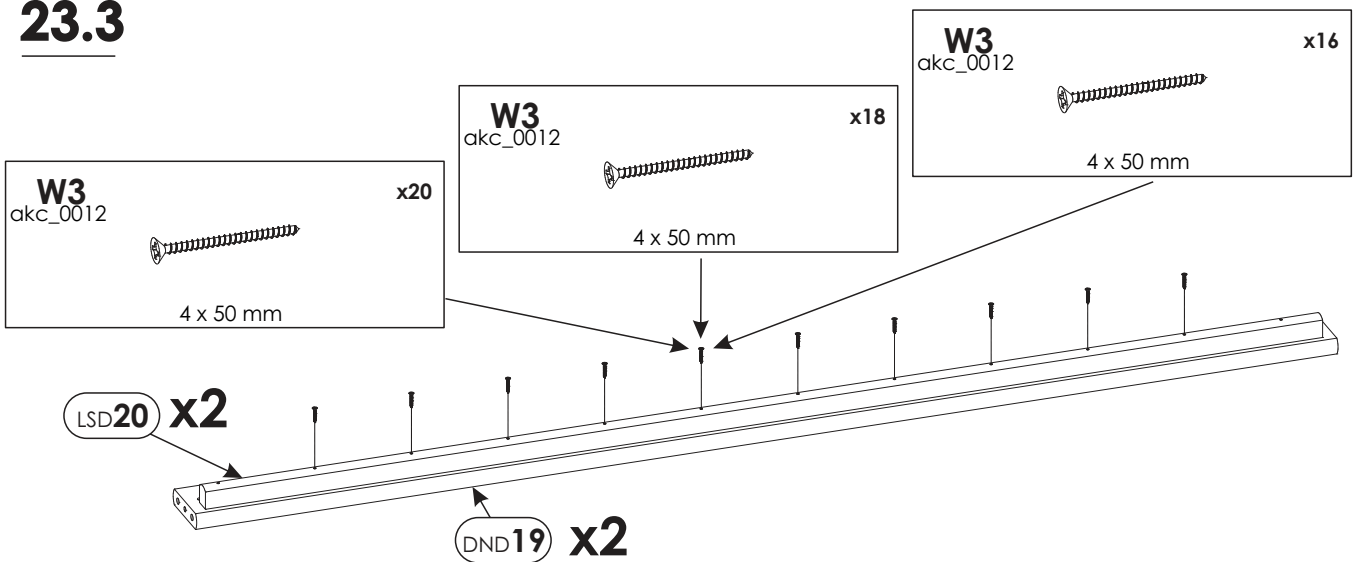
23.1



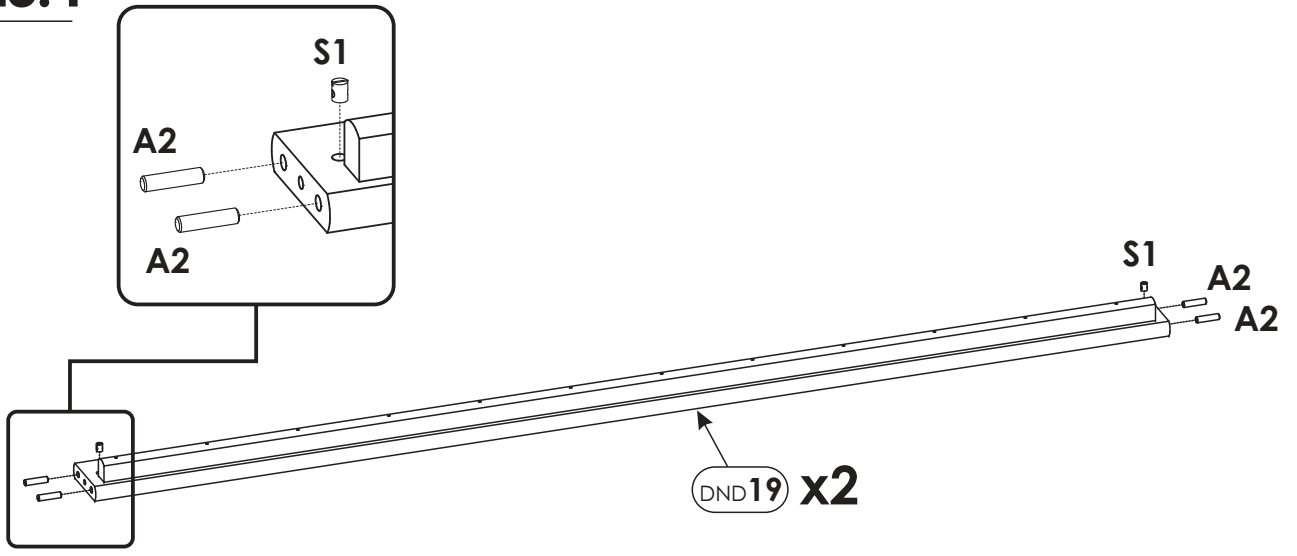
23.2



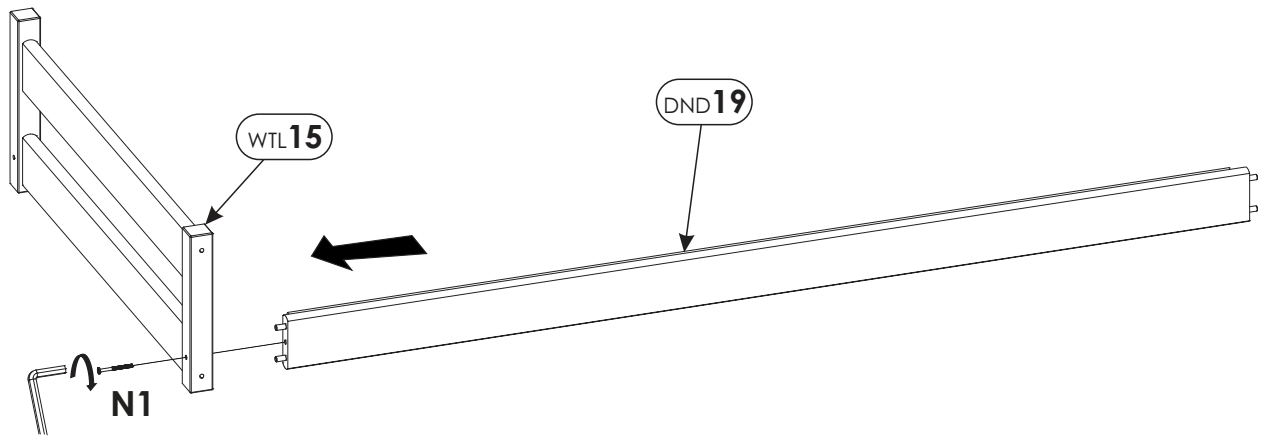
23.3



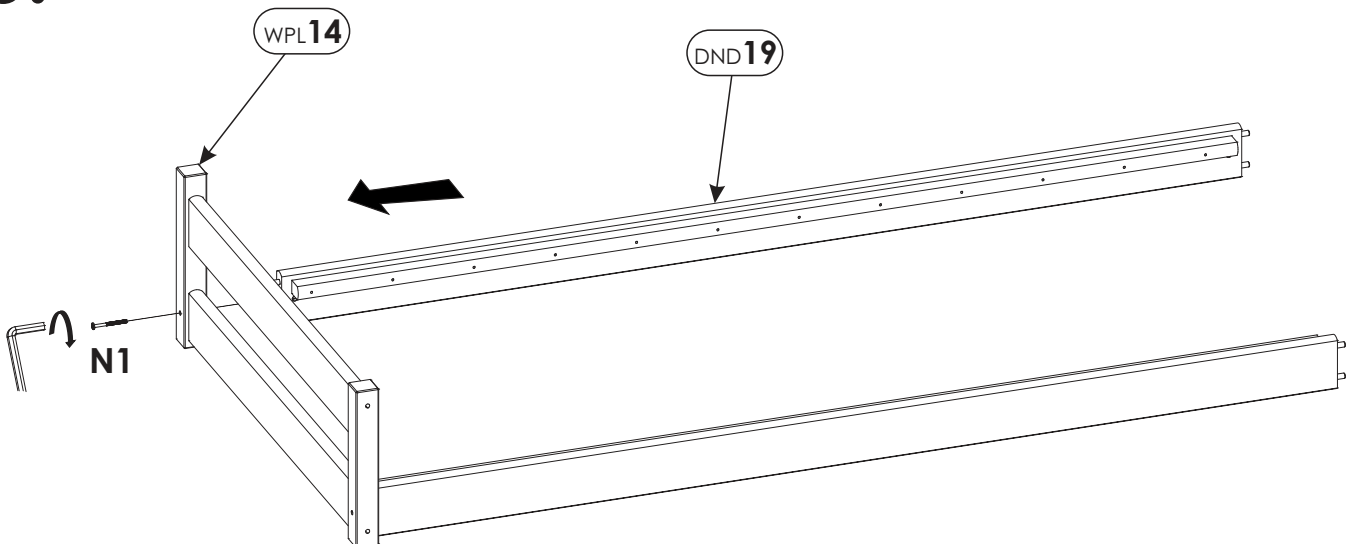
23.4



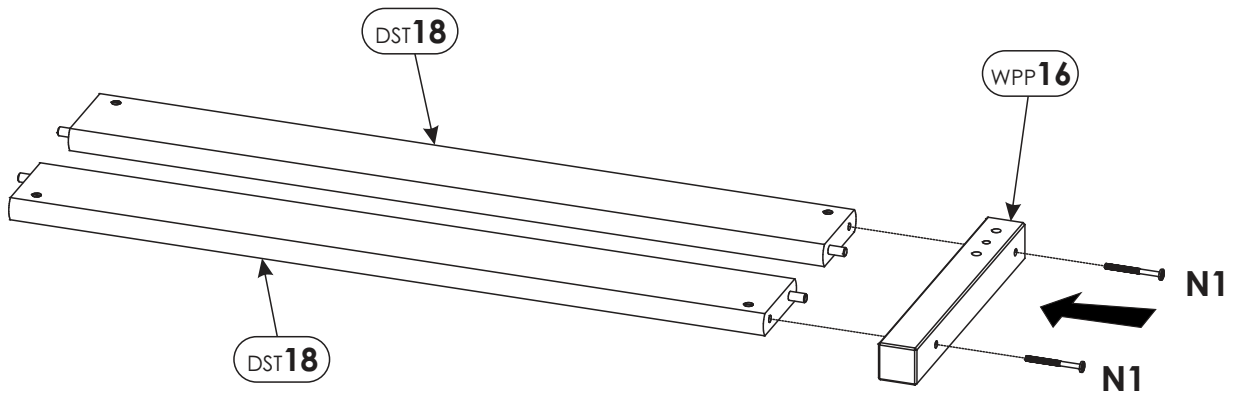
24.



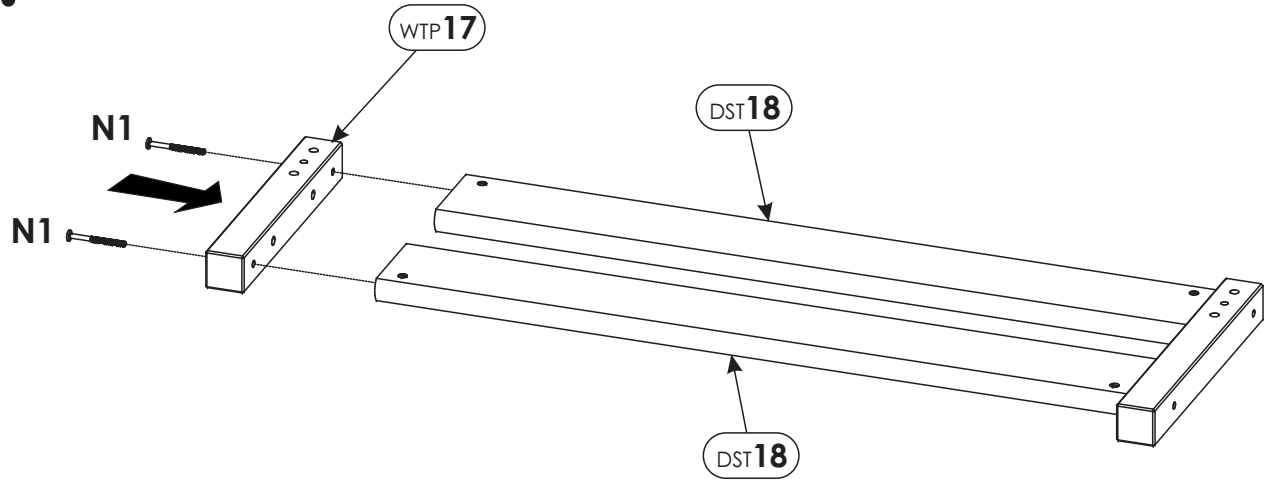
25.



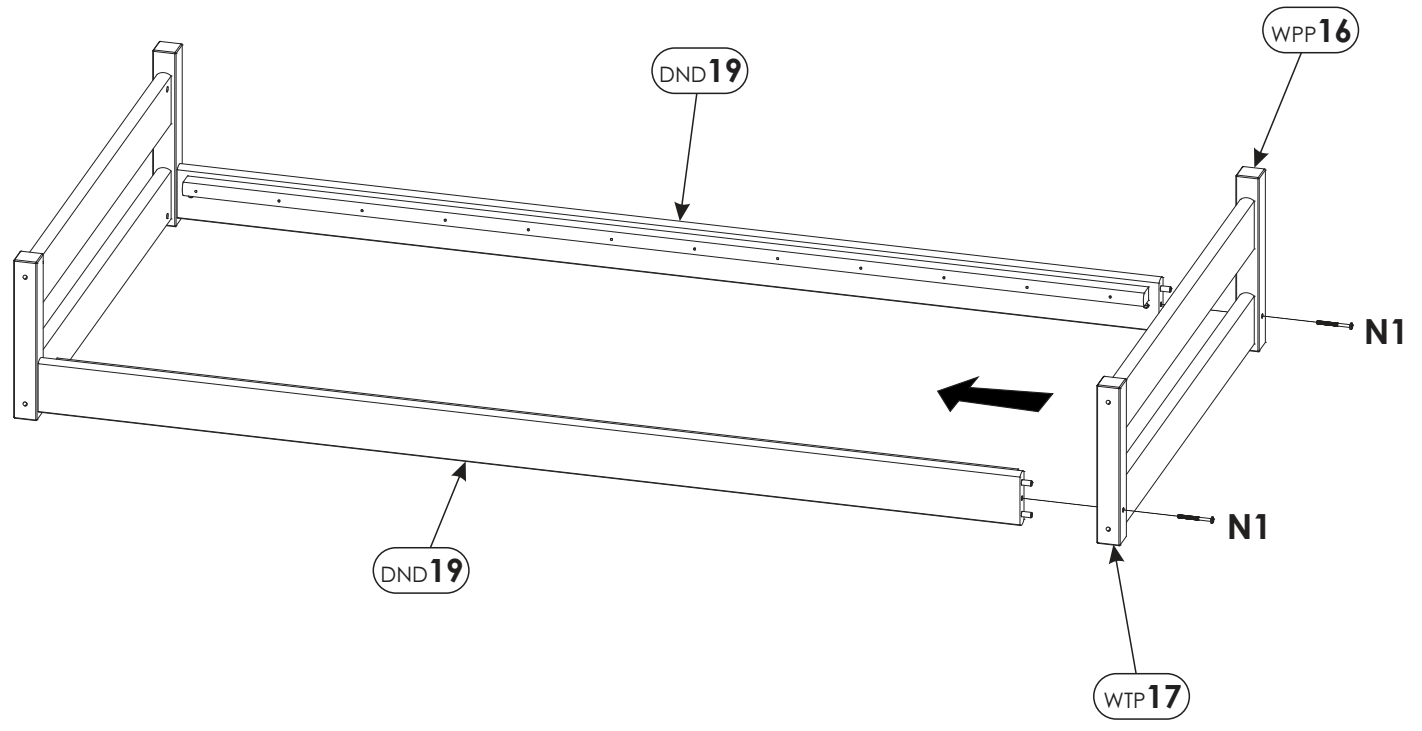
26.



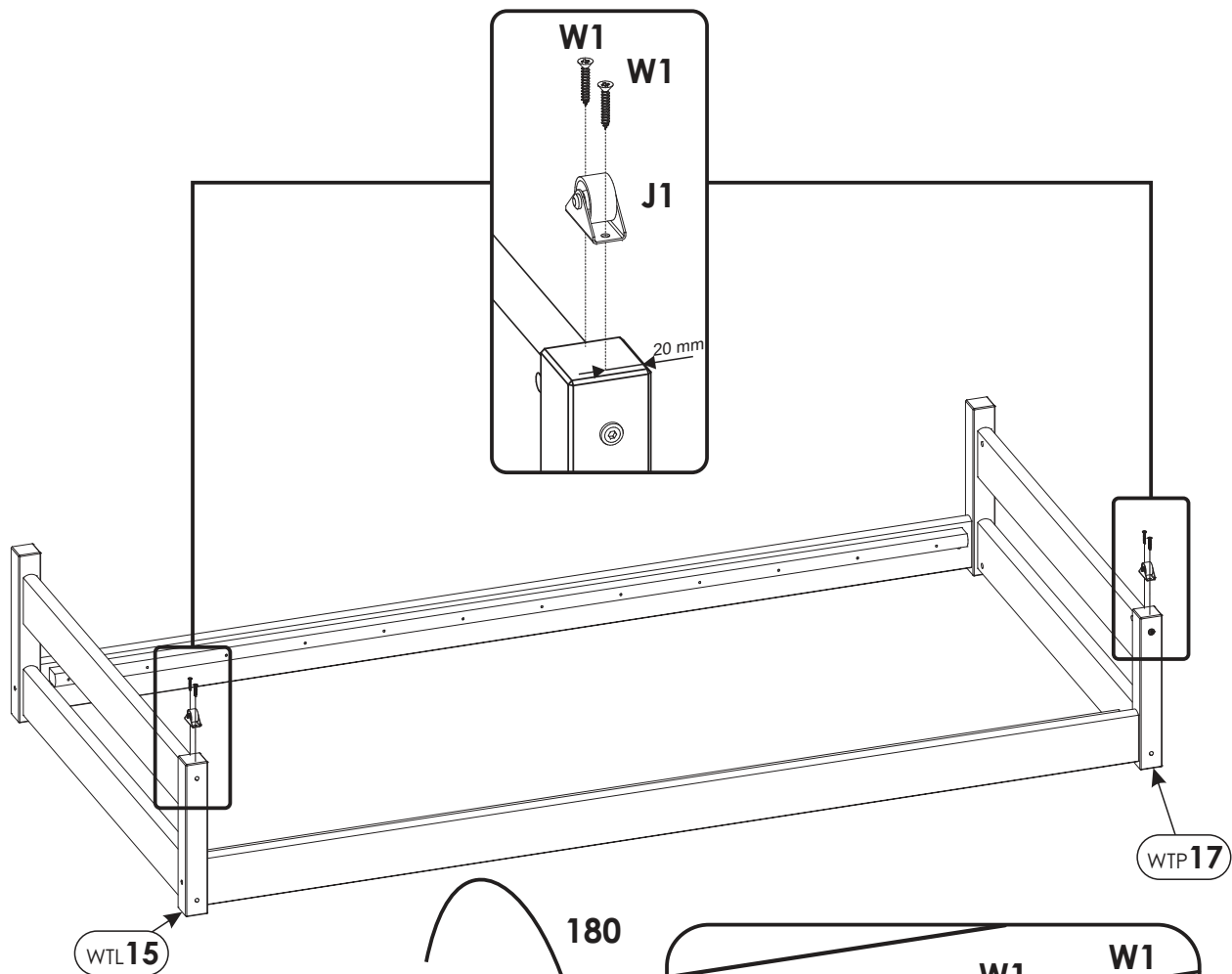
27.



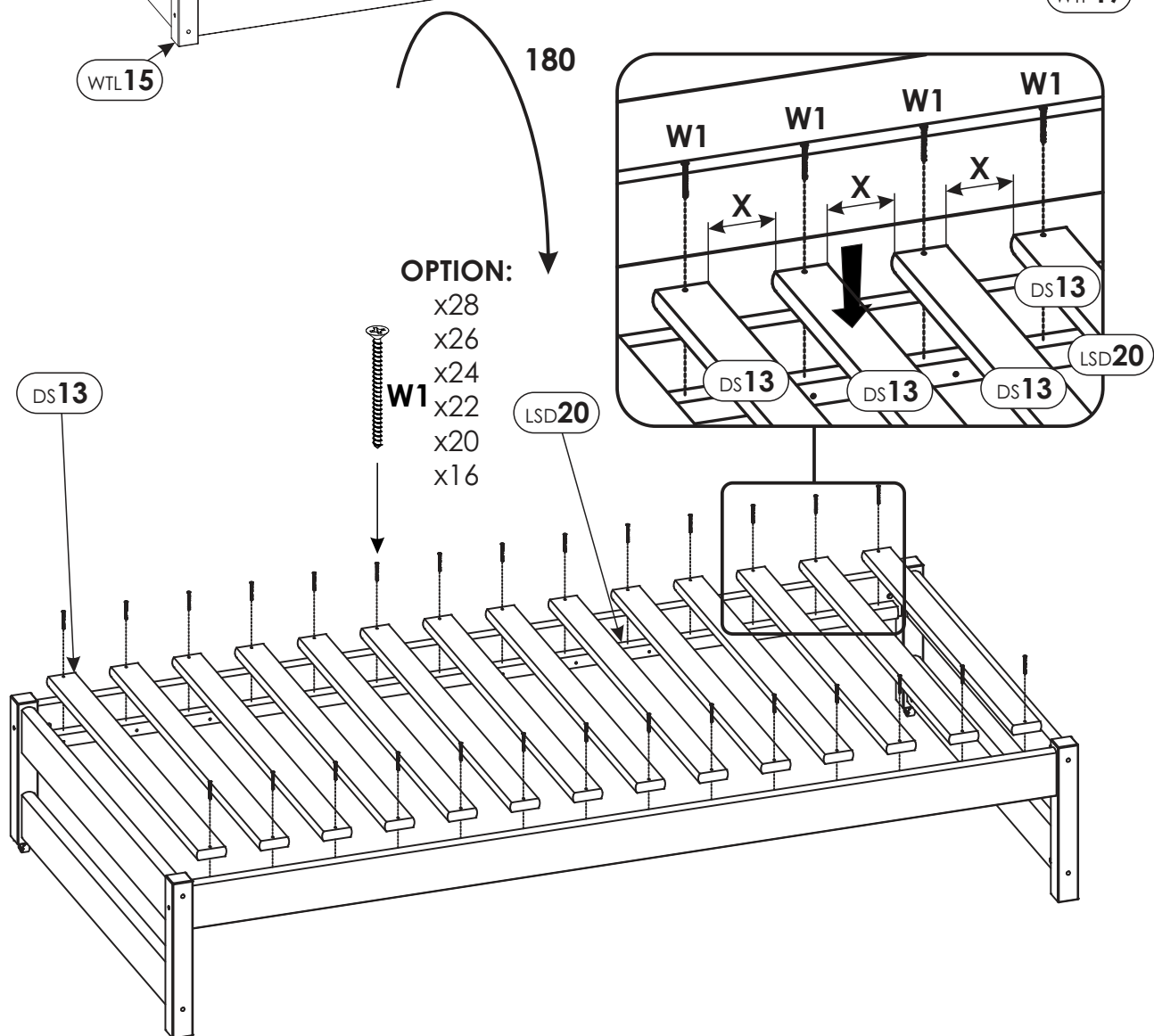
28.



29.



30.



31.

