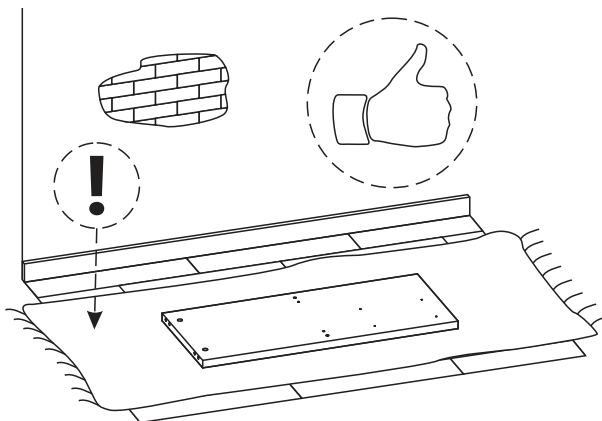
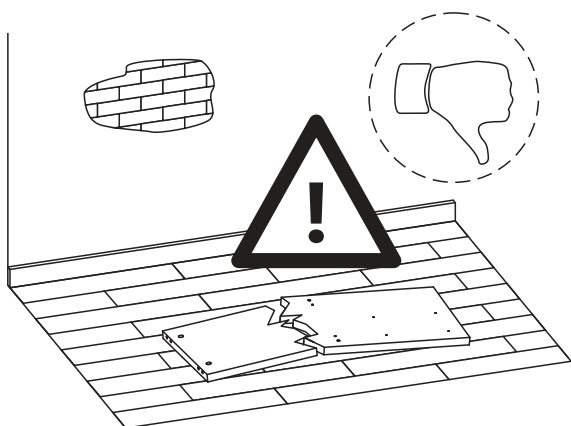
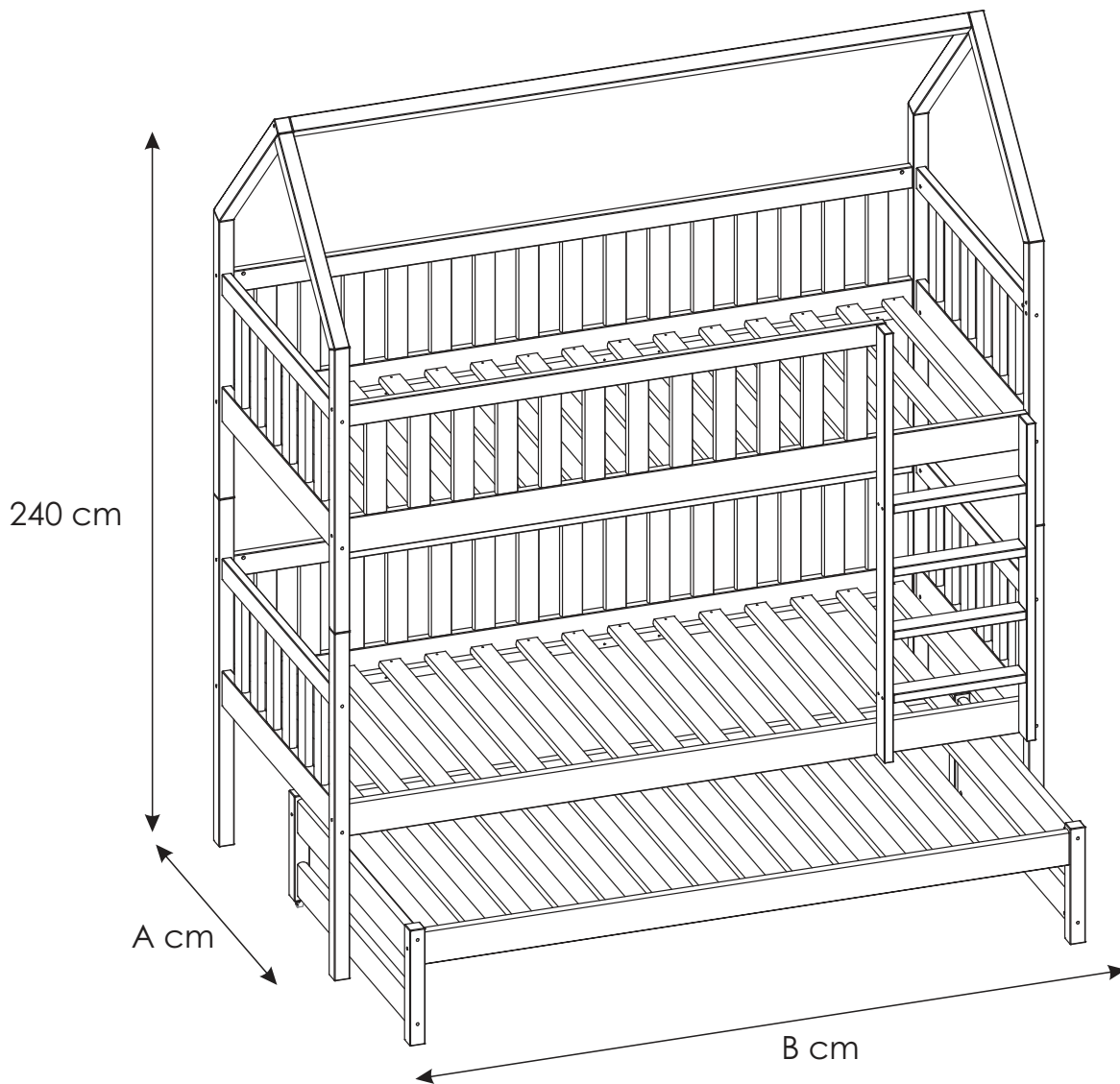
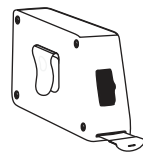
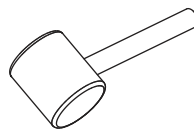
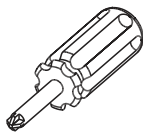
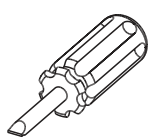
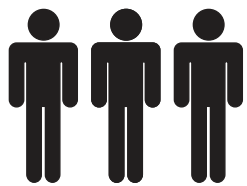
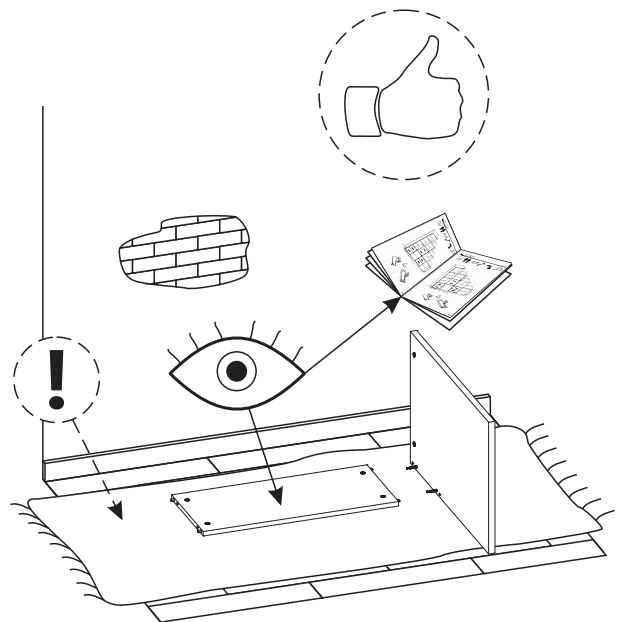
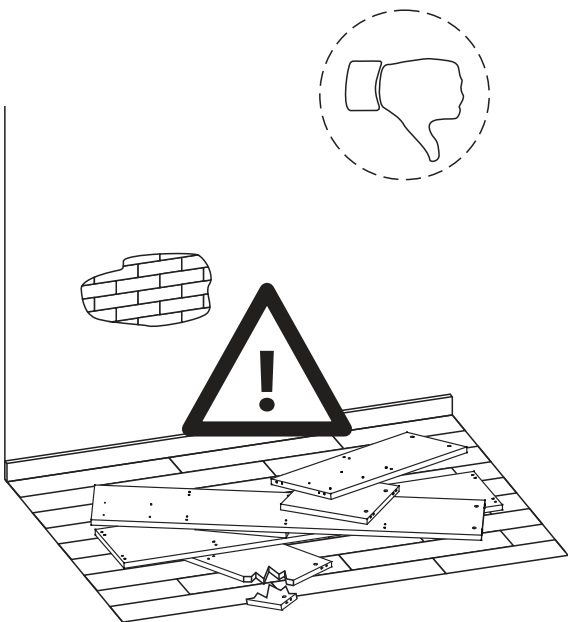
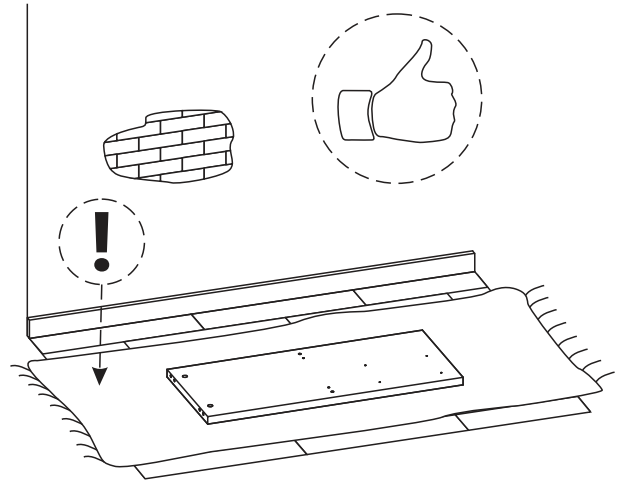
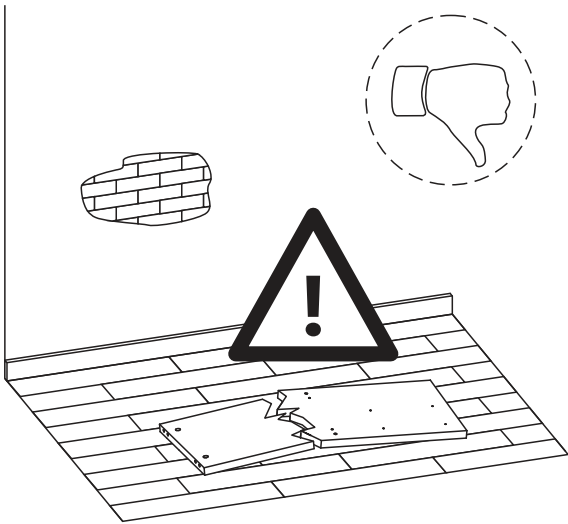
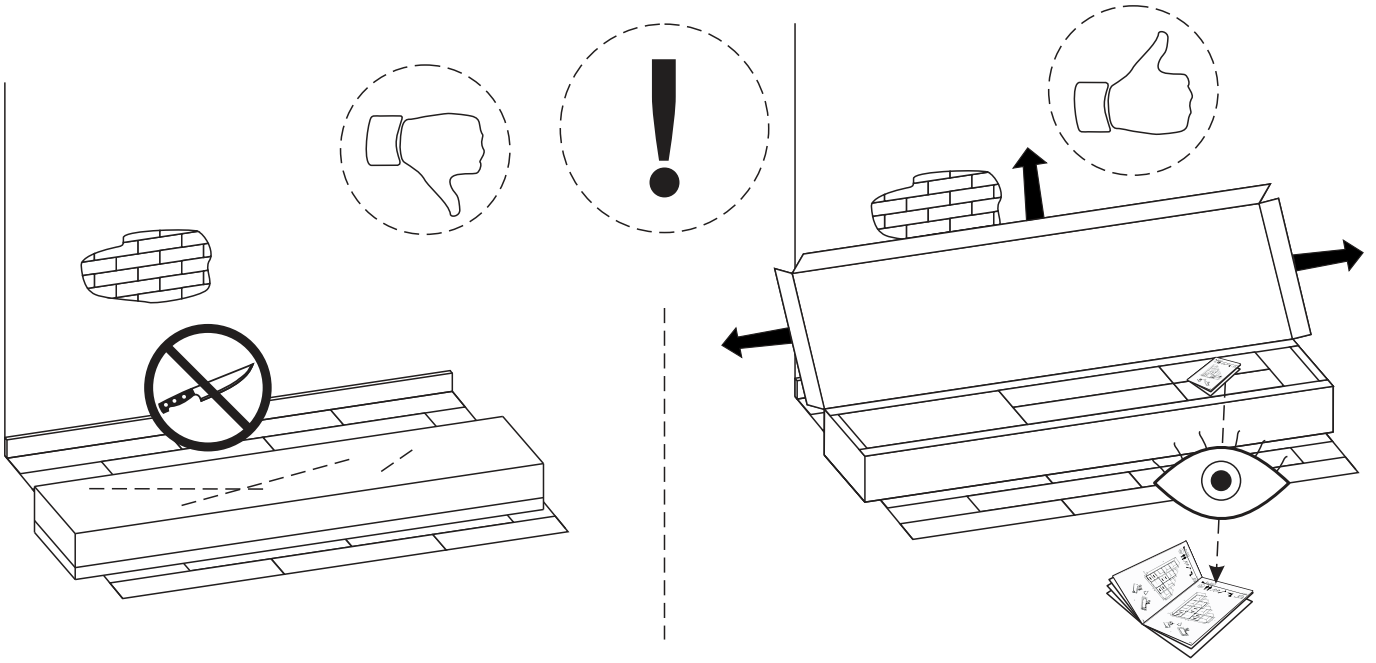
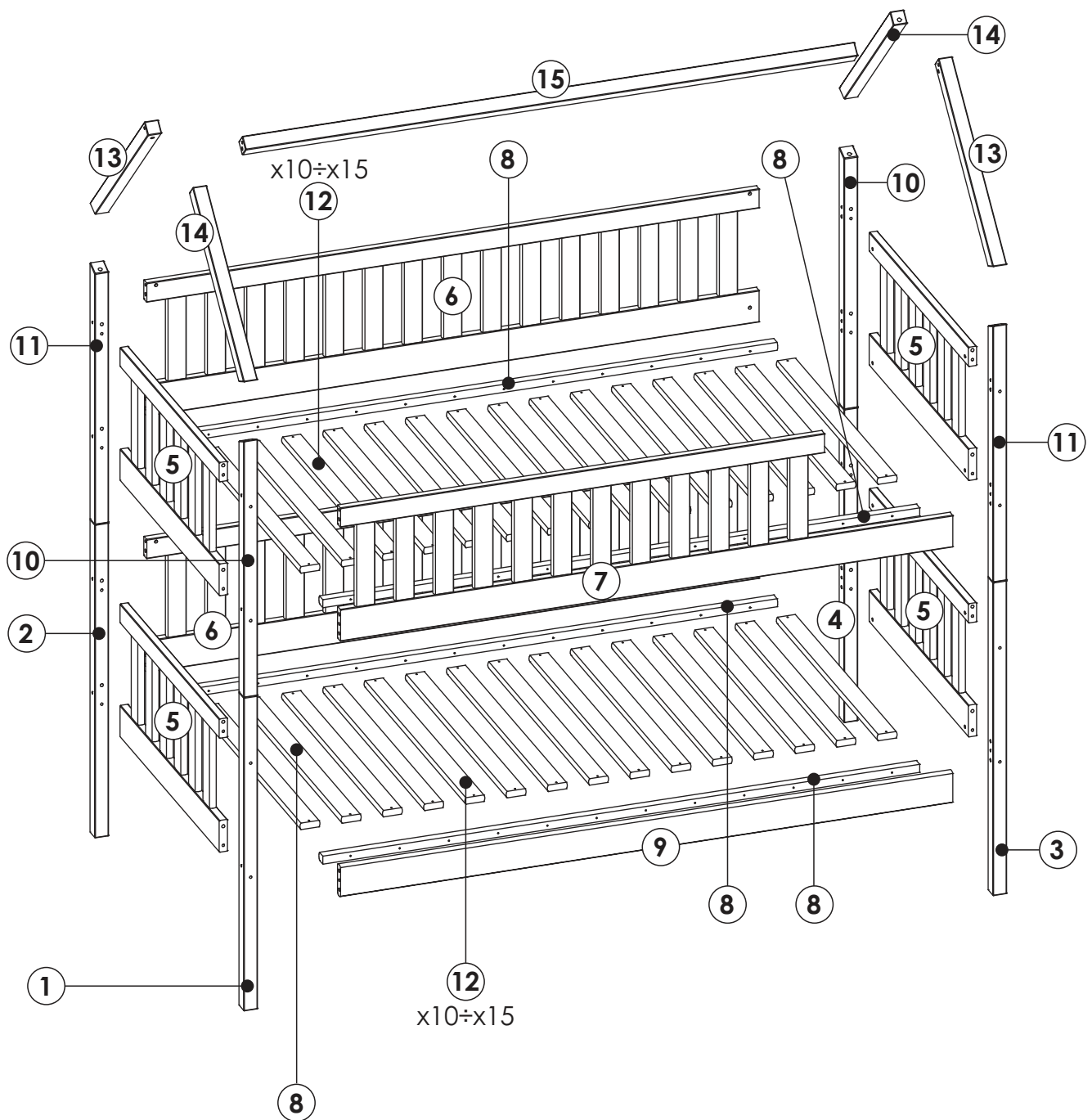
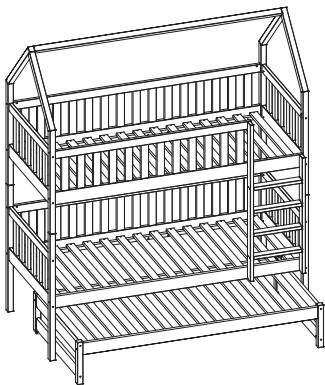


MIESZKO III

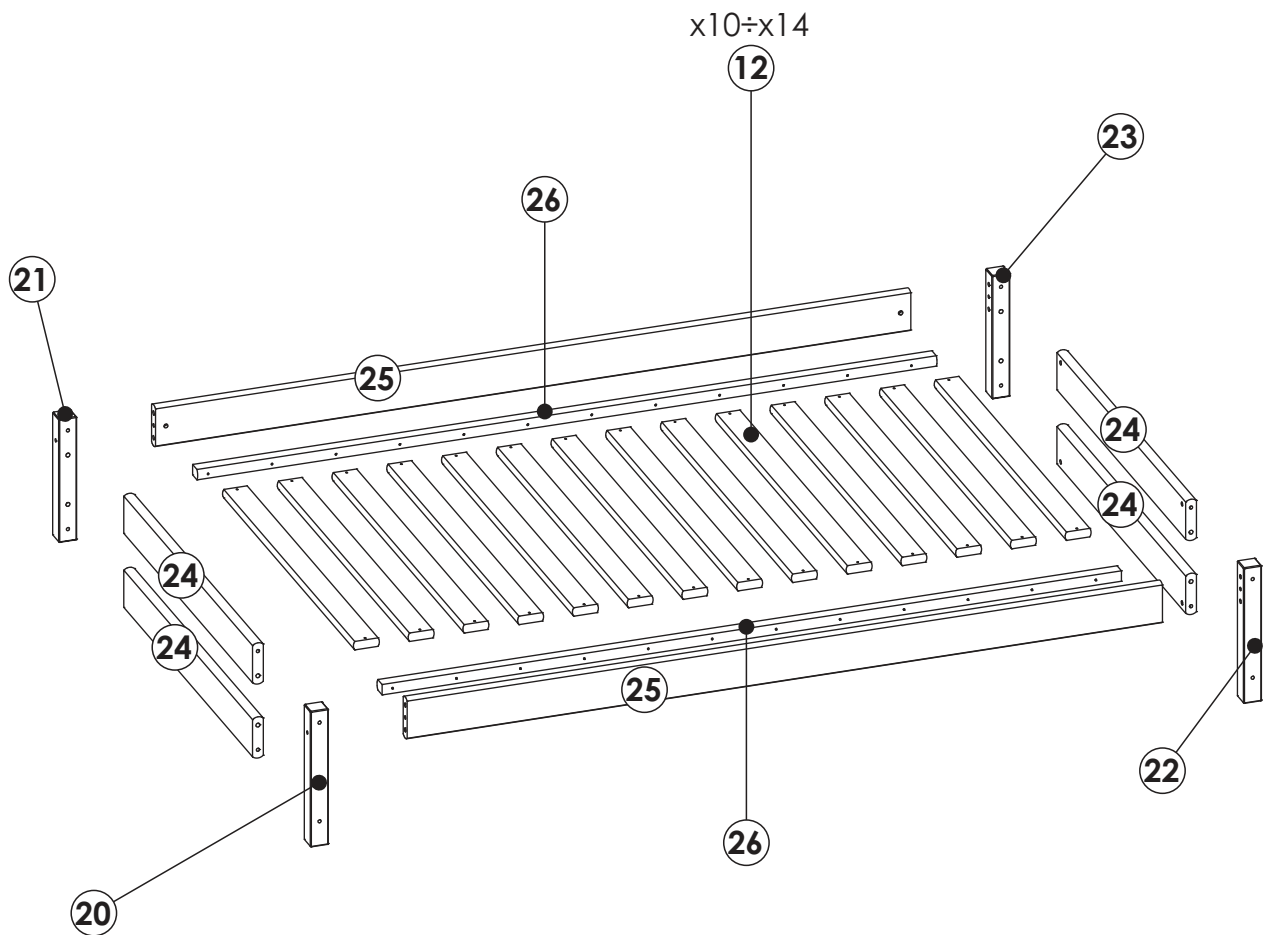
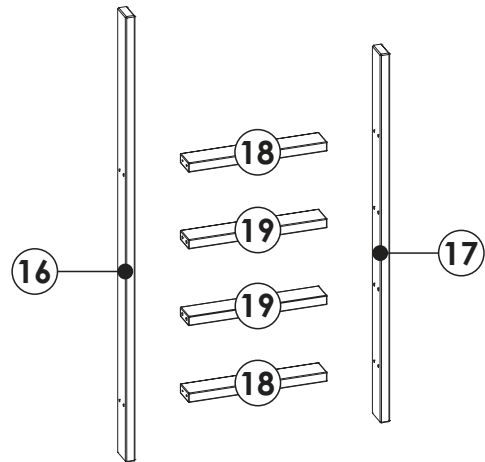




MIESZKO III



MIESZKO III



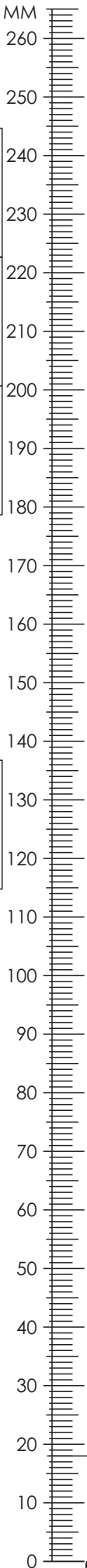
MIESZKO III

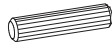
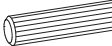




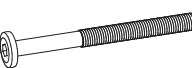

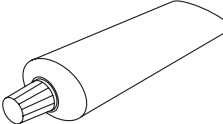

NDPL 1	1056	45	45	x1	M3NDPL_02130
NDTL 2	1056	45	45	x1	M3NDTL_02110
NDPP 3	1056	45	45	x1	M3NDPP_02140
NDTP 4	1056	45	45	x1	M3NDTP_02120
PBP 5	685, 785, 885	449	27	x4	PS_00470 DP_00480 DPT65_01110
PDT 6	1390, 1590, 1690, 1790, 1890, 1990	449	27	x2	PS_00470 DPDC_00670 DPDC_00680
PDP 7	1390, 1590, 1690, 1790, 1890, 1990	449	27	x1	PS_00470 DPDC_00670 DPDC_00680
LS 8	1340, 1540, 1640, 1740, 1840, 1940	35	27	x4	LS_00160
DN 9	1390, 1590, 1690, 1790, 1890, 1990	107	27	x1	DN_00110
NGL 10	864	45	45	x2	MNGL_01570
NGP 11	864	45	45	x2	MNGP_01580
DBD 13	689	45	45	x2	DDBD_01290
DBK 14	644	45	45	x2	DDBK_01300
DP 15	1390, 1590, 1690, 1790, 1890, 1990	45	45	x1	DDP_01310
P4S 16	1305	65	27	x1	DDP4S_00630
P4S 17	965	65	27	x1	DDP4S_00620
DSS 18	390	65	27	x2	DSS_00210
DSK 19	390	65	27	x2	DSK_00220
WPL 20	352	45	45	x1	NWPL_01060
WTL 21	320	45	45	x1	NWTL_01080
WPP 22	352	45	45	x1	NWPP_01070
WTP 23	320	45	45	x1	NWTP_01090
DST 24	685, 785, 885	107	27	x4	DST_00120
DND 25	1290, 1490, 1590, 1690, 1790, 1890	107	27	x2	DN_00110
LS 26	1250, 1450, 1550, 1650, 1750, 1850	35	27	x2	LS_00160

OPTION


DS 12	B=2000	700, 800, 900	65	22	x44	DS_00170
	B=1900				x41	
	B=1800				x39	
	B=1700				x38	
	B=1600				x35	
	B=1400				x30	


MIESZKO III



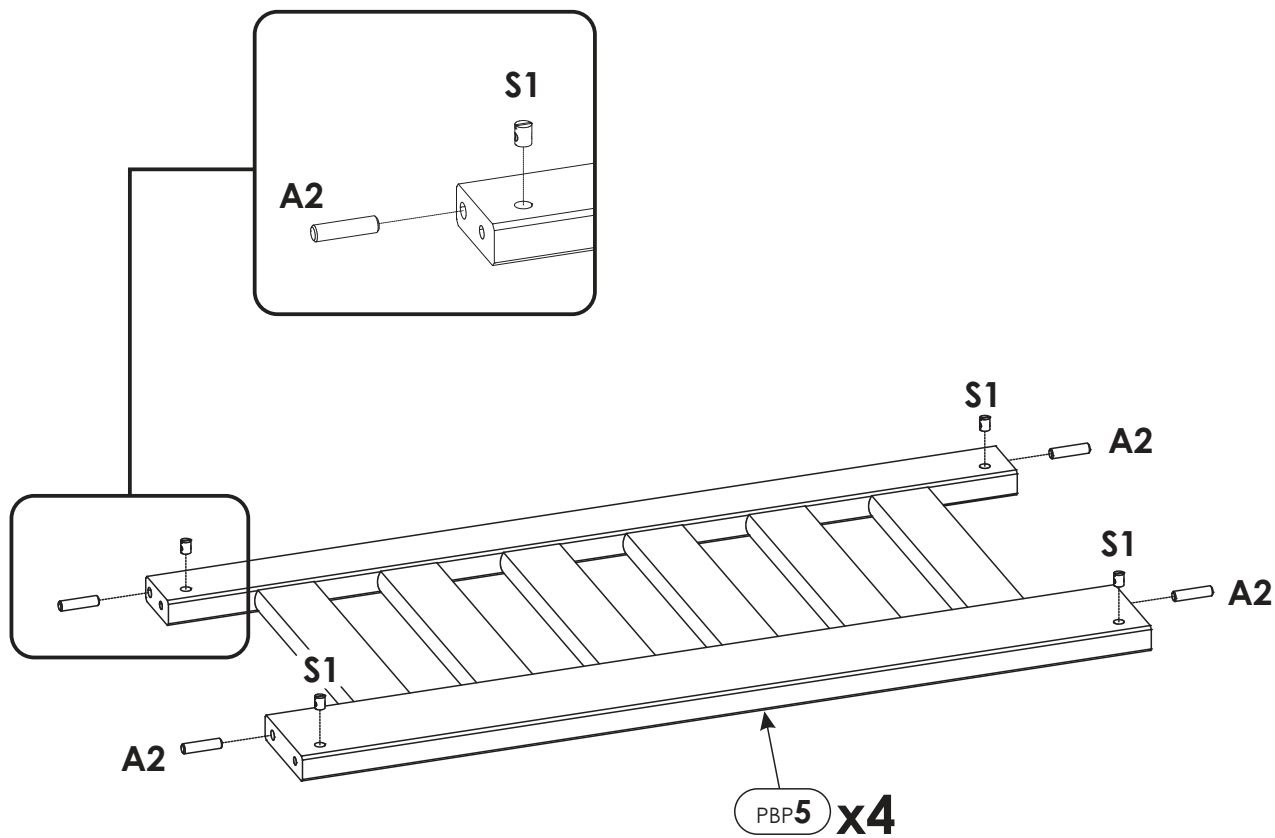
<p>A1 akc_0001</p>  <p>8 x 35 mm</p> <p style="text-align: right;">x8</p>	<p>A2 akc_0002</p>  <p>10 x 40 mm</p> <p style="text-align: right;">x55</p>	<p>A3 akc_0003</p>  <p>12 x 60 mm</p> <p style="text-align: right;">x10</p>
<p>J1 akc_0016</p>  <p style="text-align: right;">x2</p>	<p>K1 akc_0004</p>  <p>6,4 x 50 mm</p> <p style="text-align: right;">x8</p>	<p>M akc_0005</p>  <p style="text-align: right;">x1</p>
<p>N1 akc_0006</p>  <p>6 x 80 mm</p> <p style="text-align: right;">x43</p>	<p>S1 akc_0008</p>  <p>10 x 16 mm</p> <p style="text-align: right;">x43</p>	<p>S2 akc_0018</p>  <p style="text-align: right;">x1</p>
<p>W4 akc_0012</p>  <p>4 x 60 mm</p> <p style="text-align: right;">x5</p>		

----- **OPTION** -----

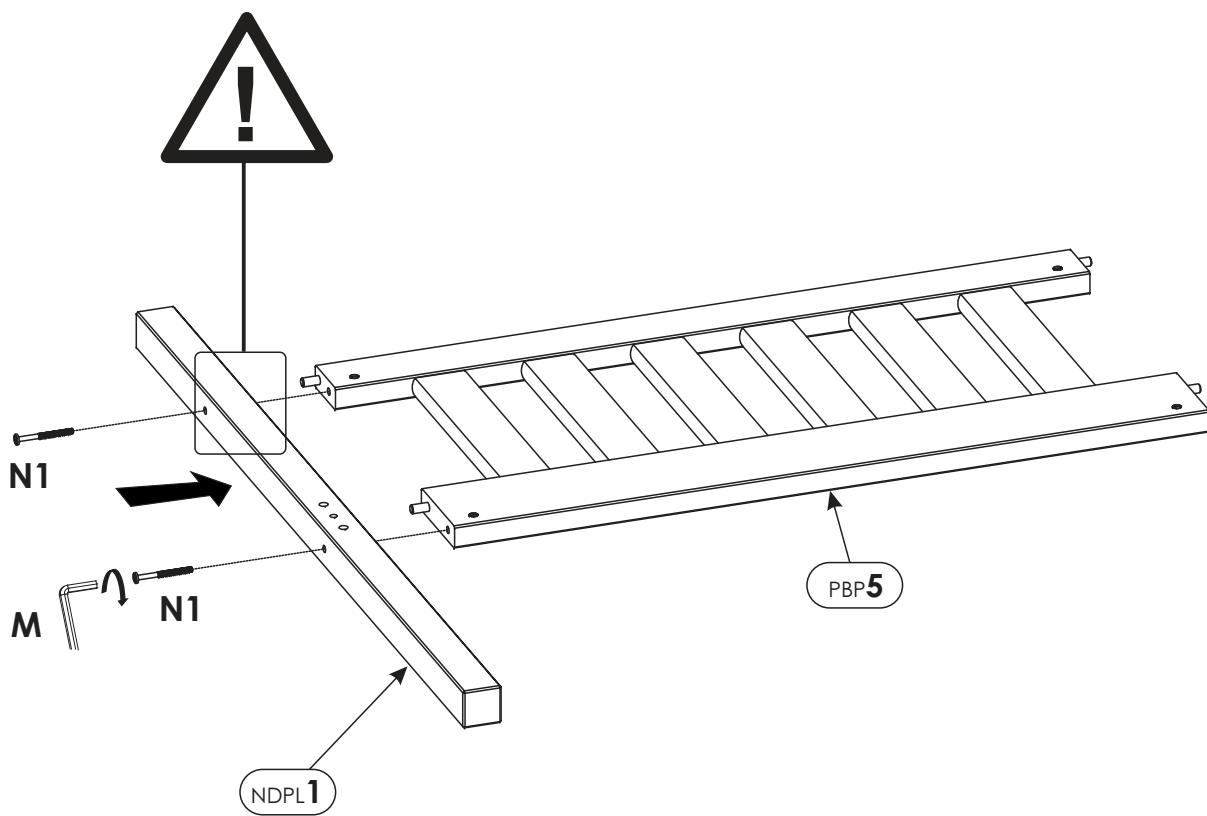
<p>W1 akc_0009</p>  <p>3,5 x 40 mm</p> <p style="text-align: right;">64 < x < 92</p>

<p>W3 akc_0011</p>  <p>4 x 50 mm</p> <p style="text-align: right;">60 < x < 72</p>

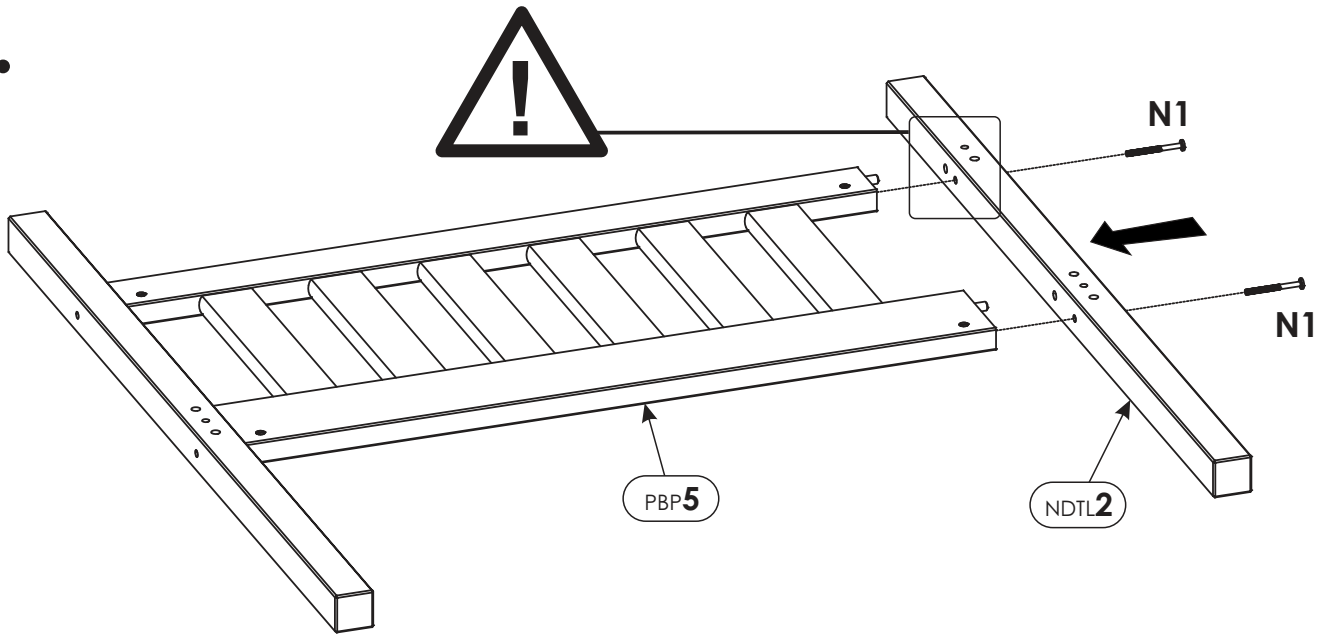
1.



2.

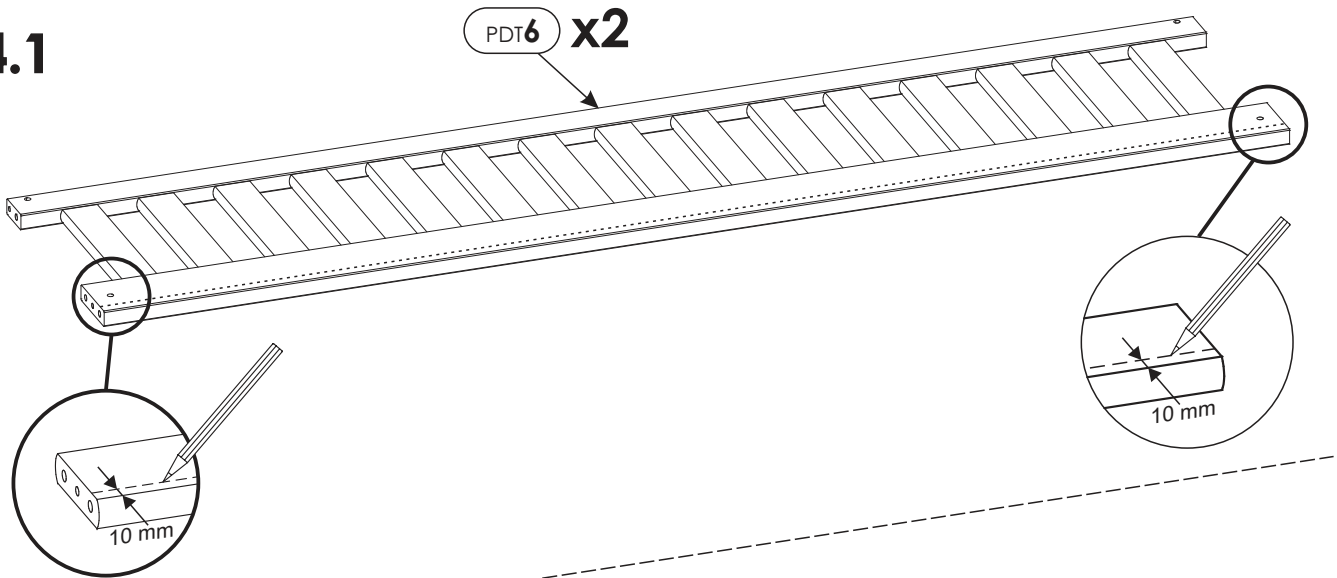


3.

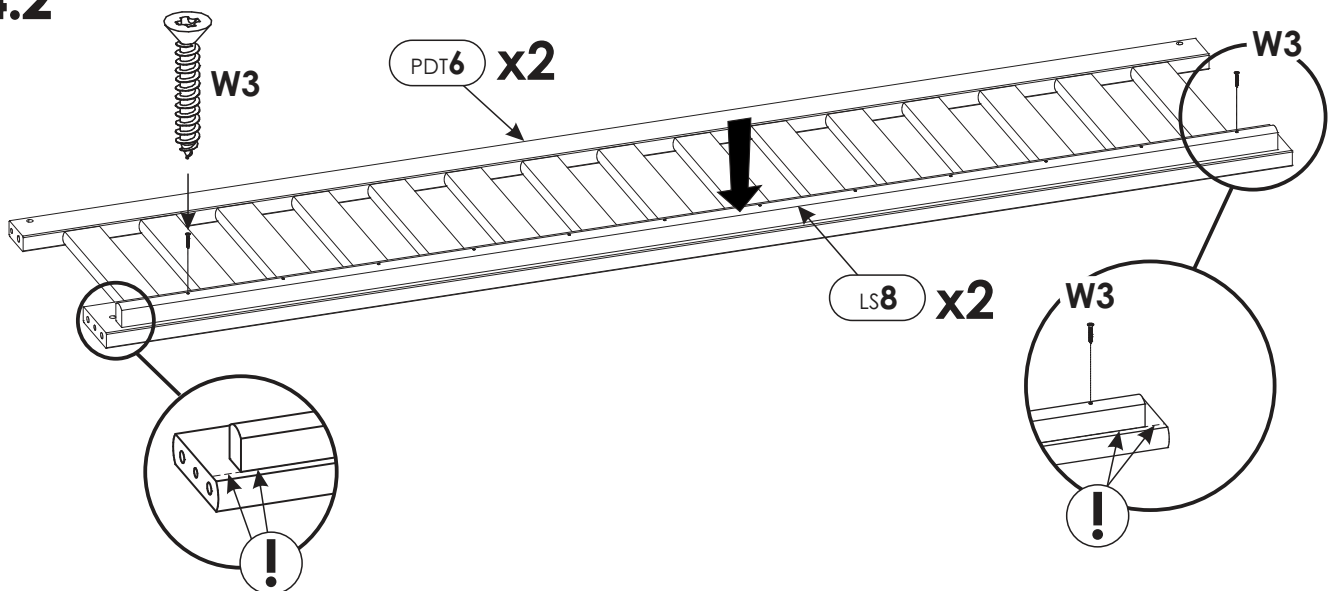


4.

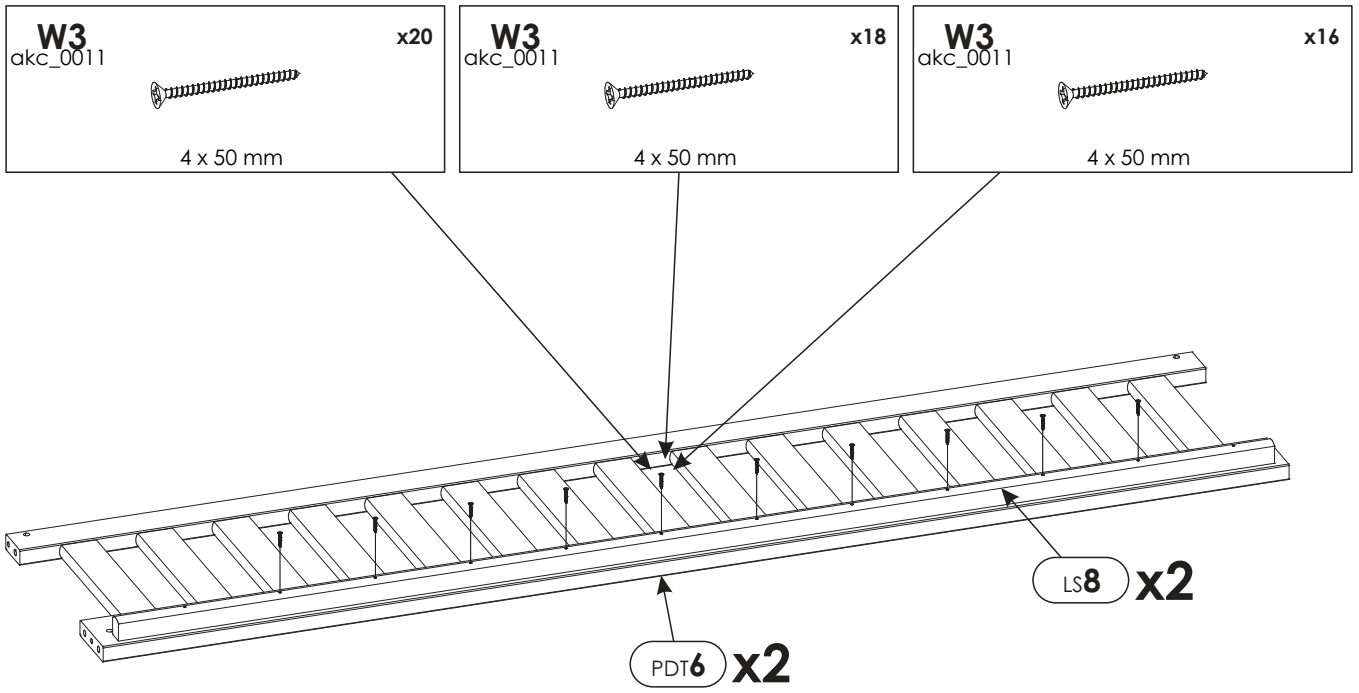
4.1



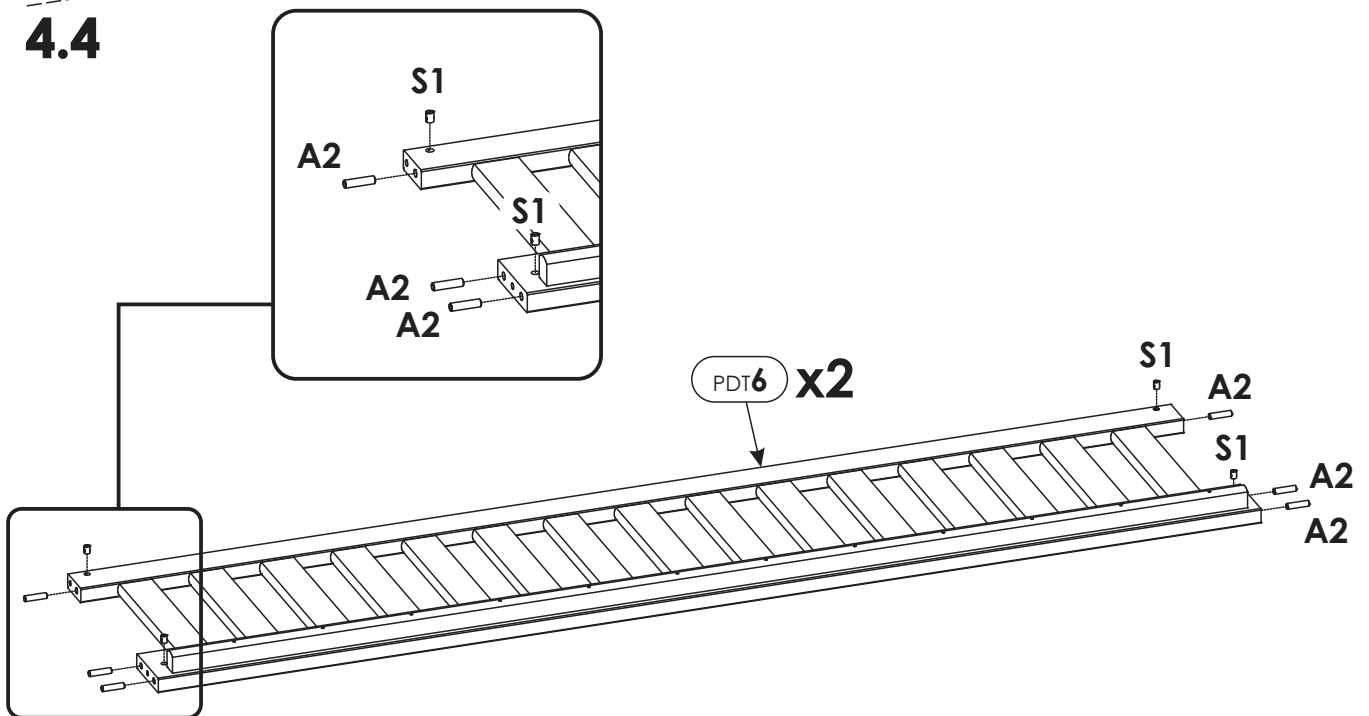
4.2



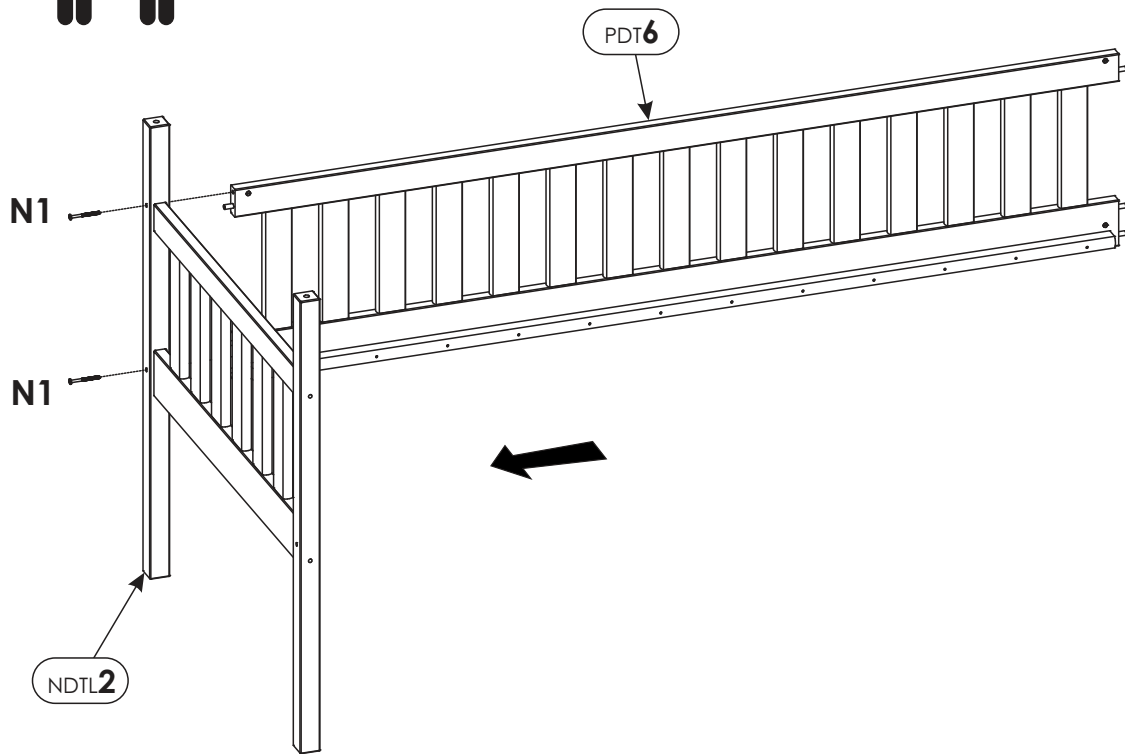

4.3



4.4

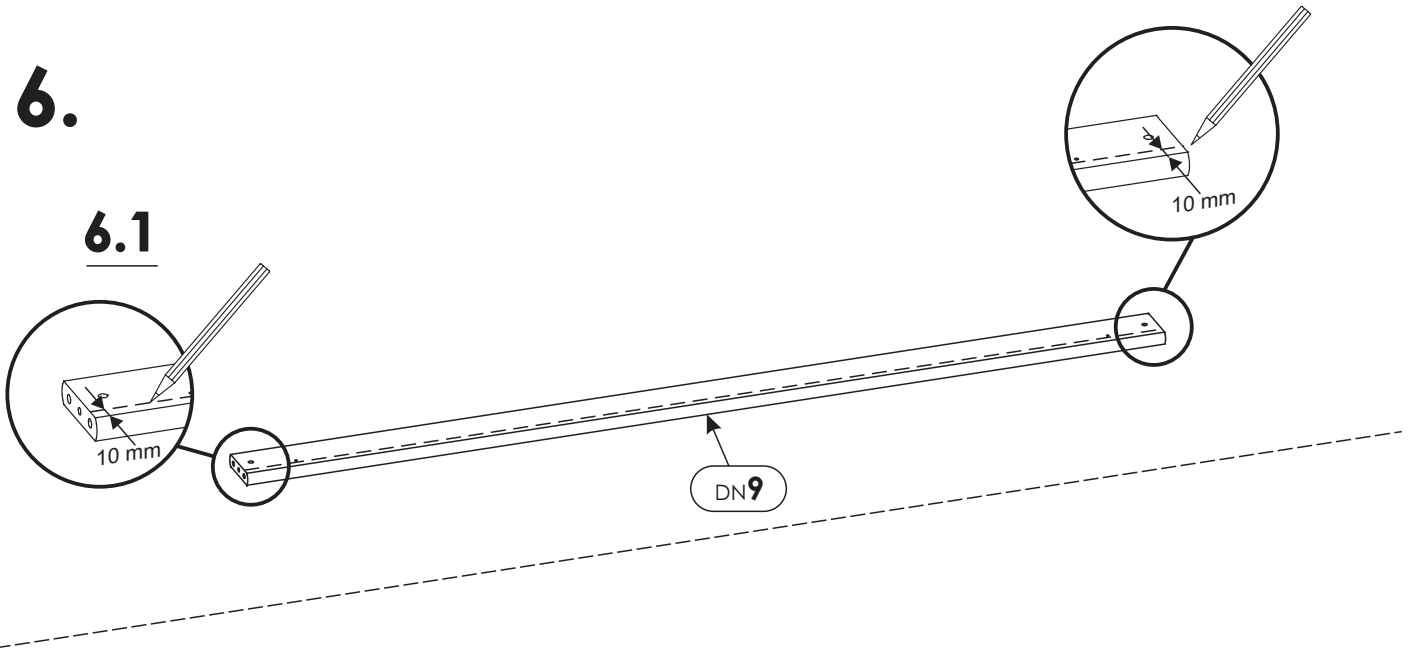


5.

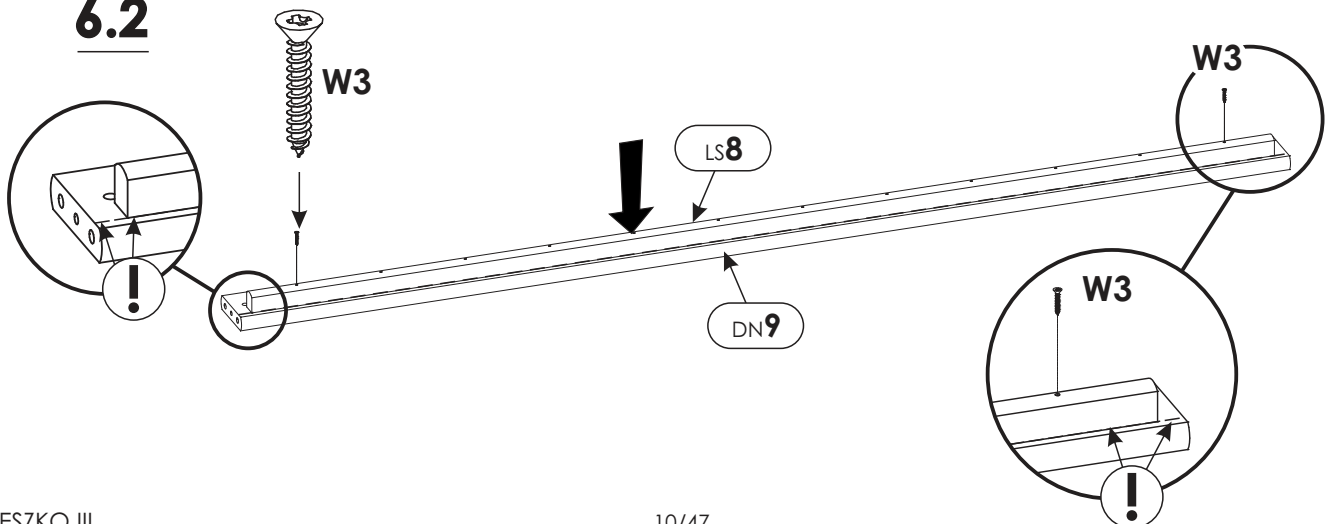


6.

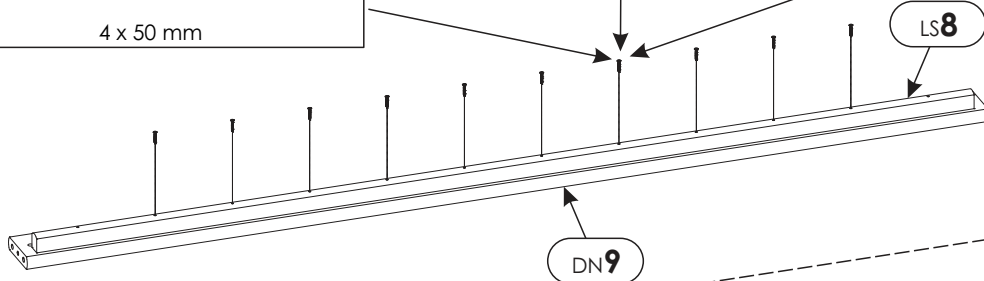
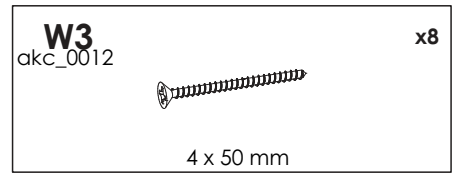
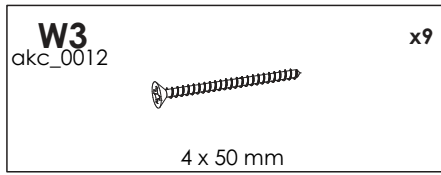
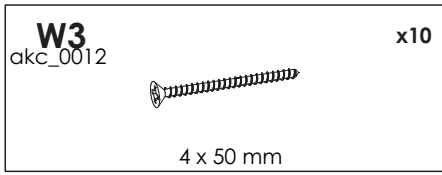
6.1



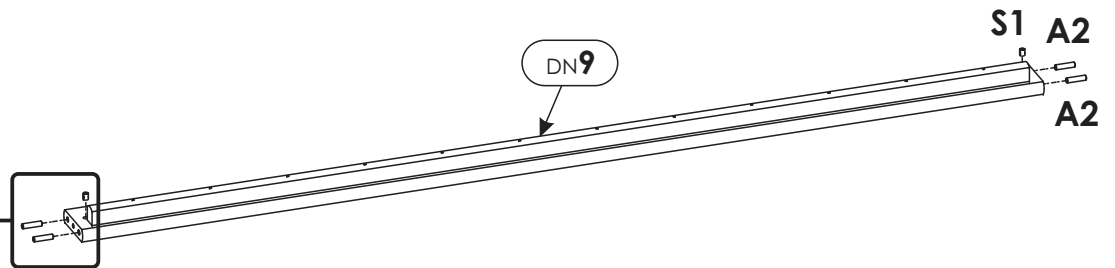
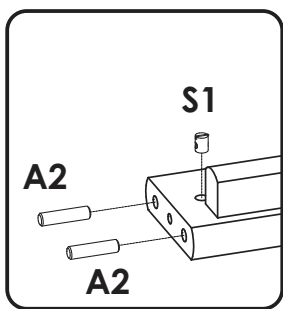
6.2



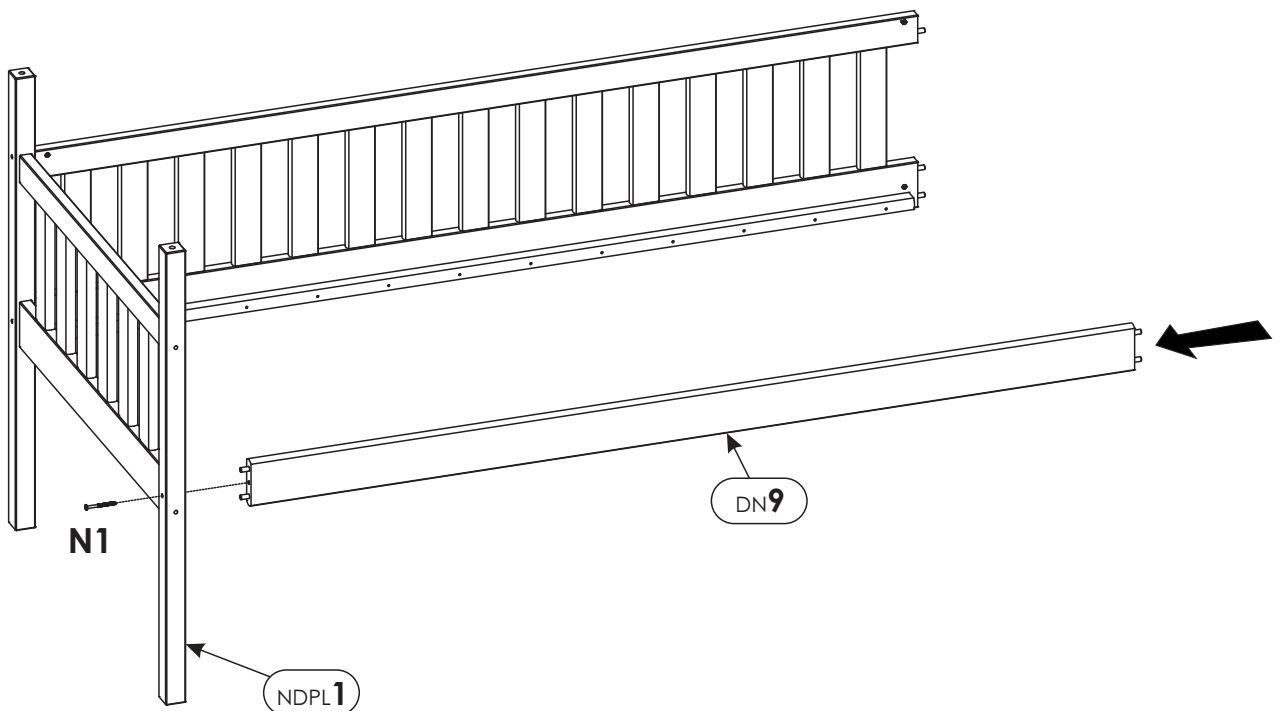
6.3



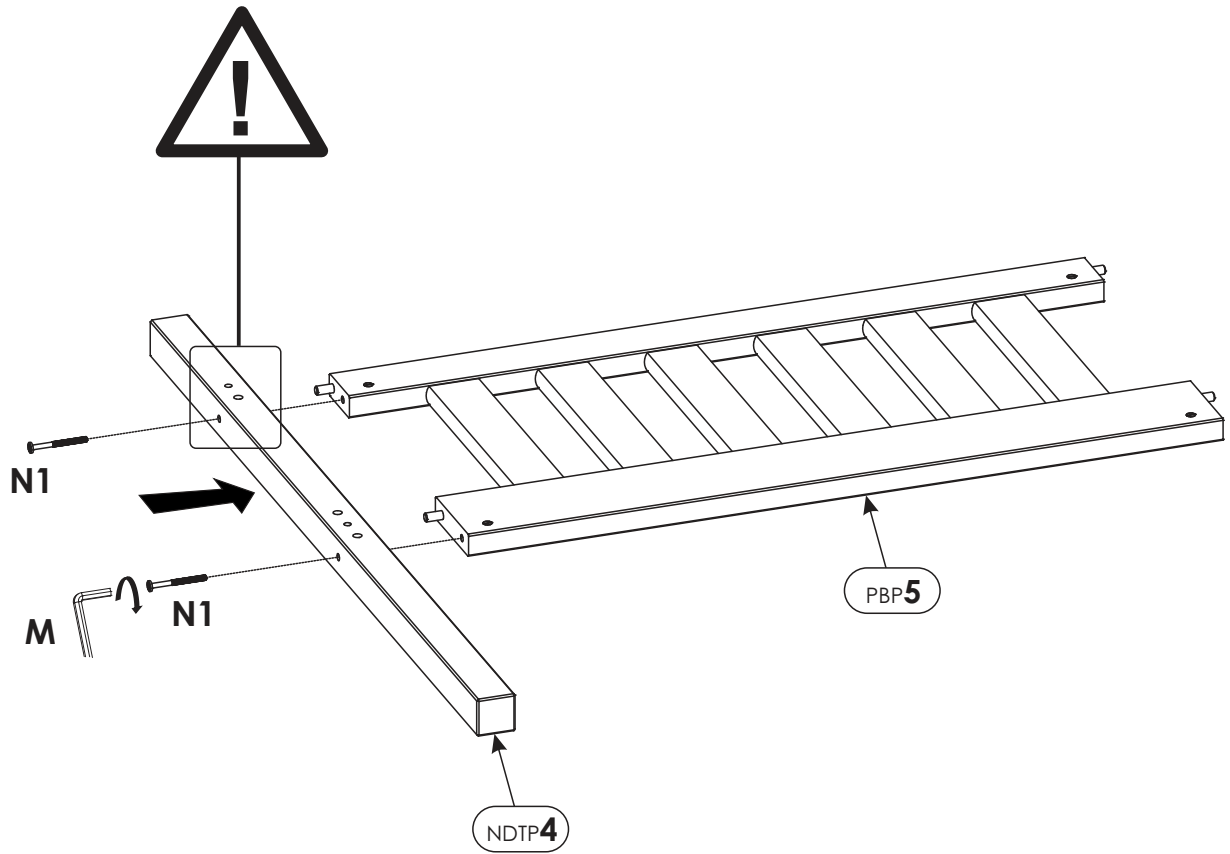
6.4



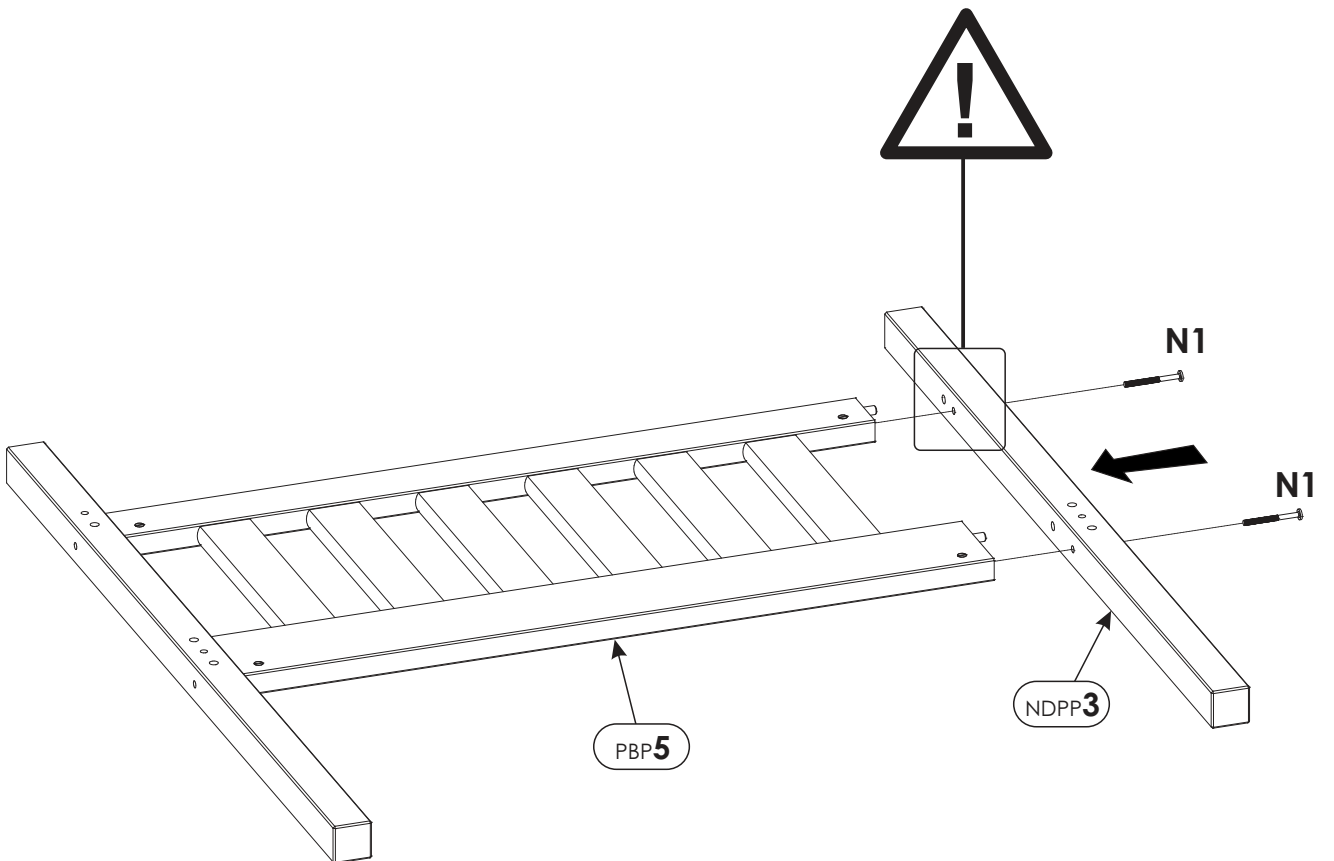
7.



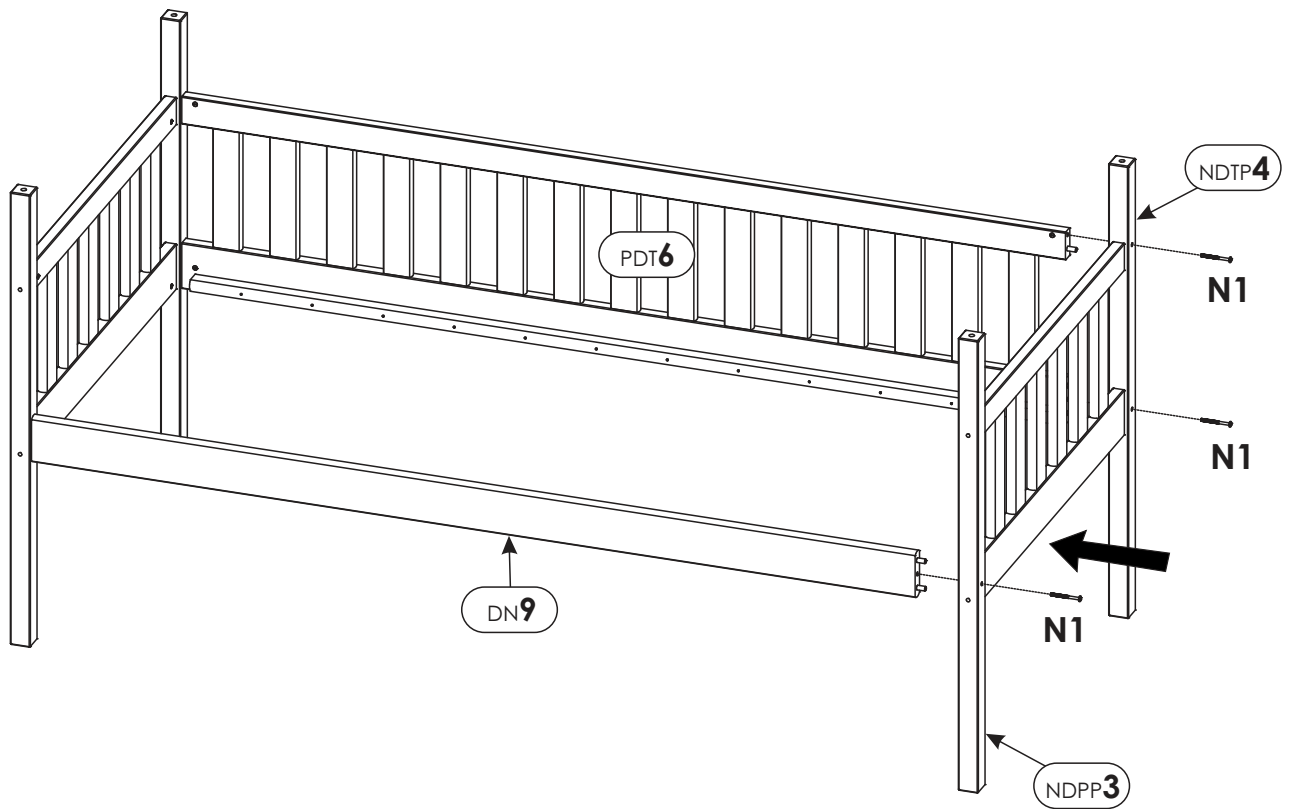
8.



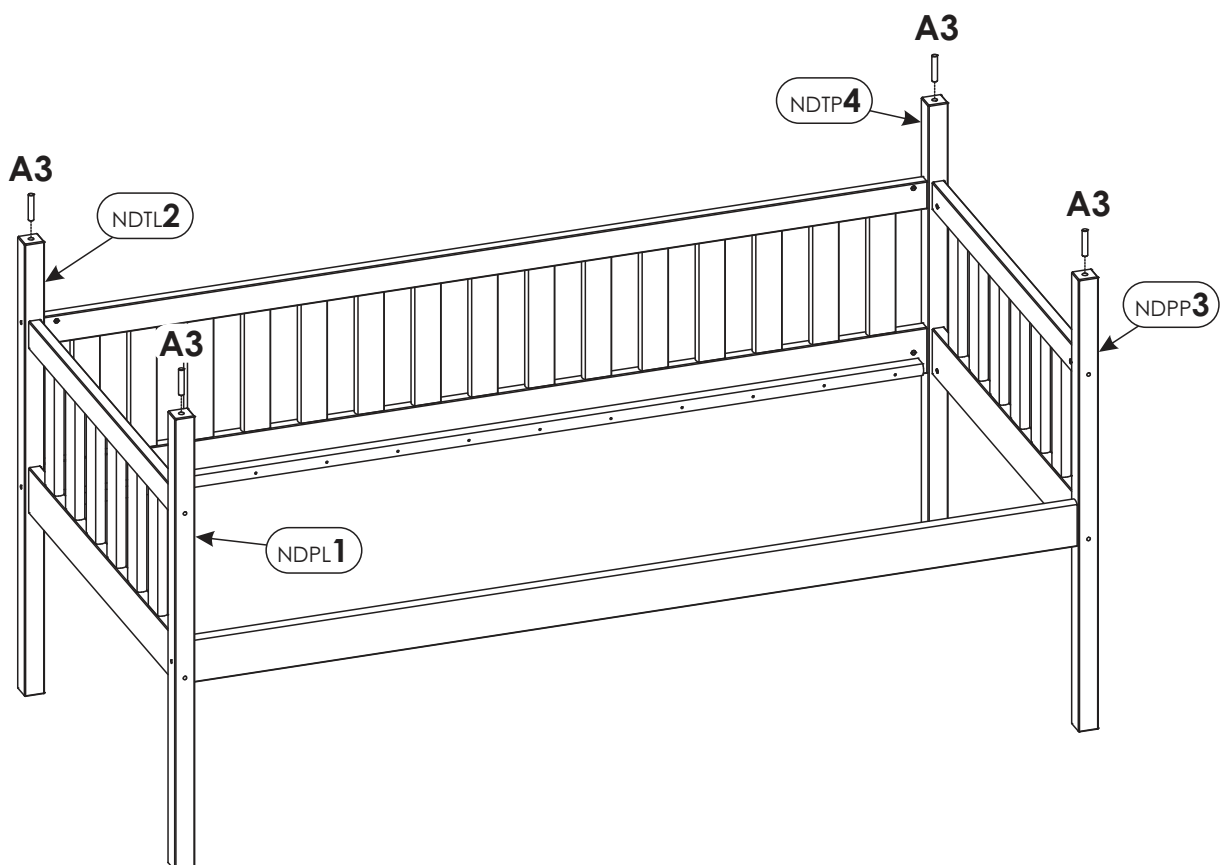
9.



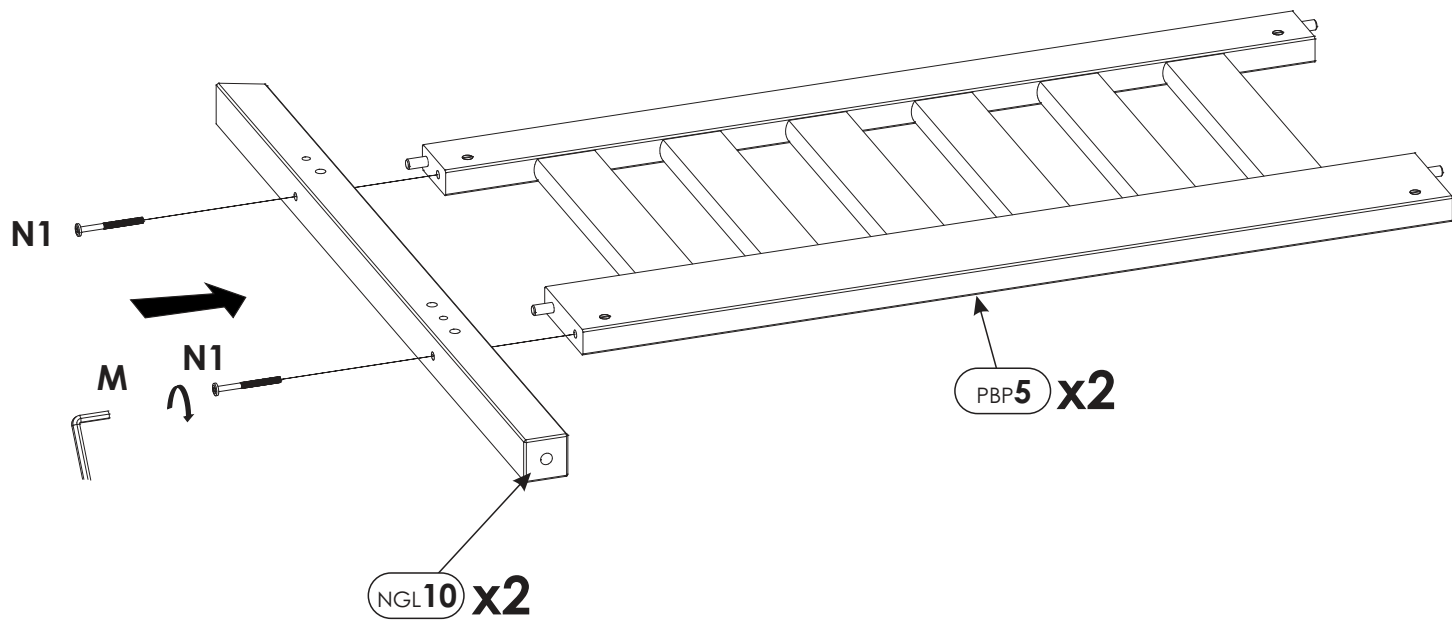
10.



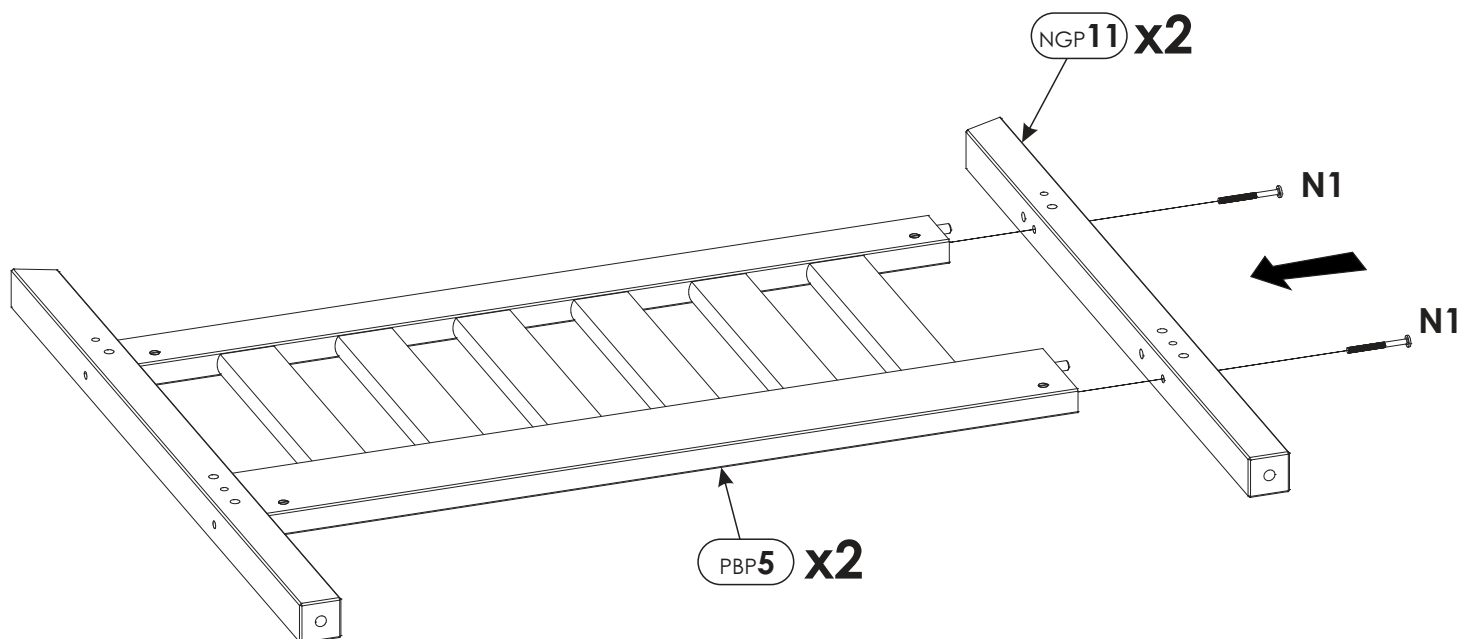
11.



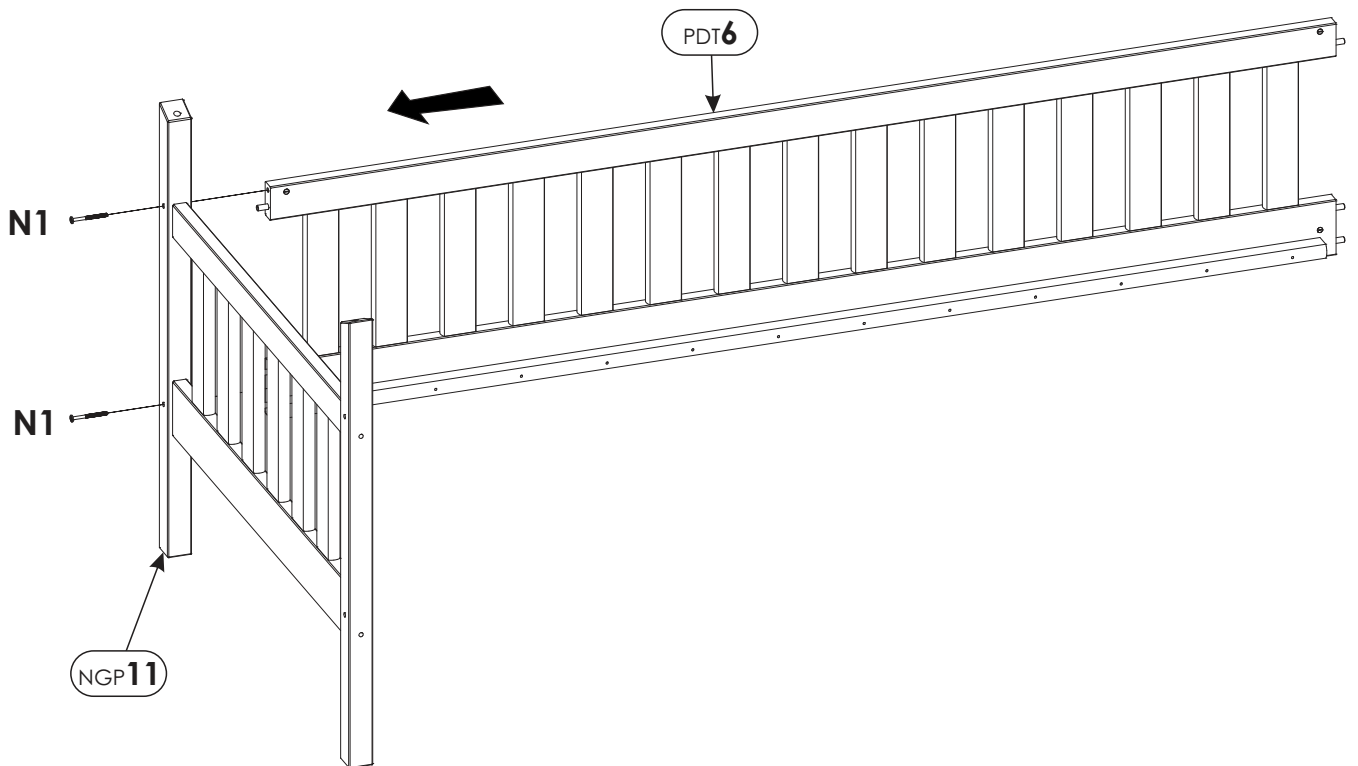
12.



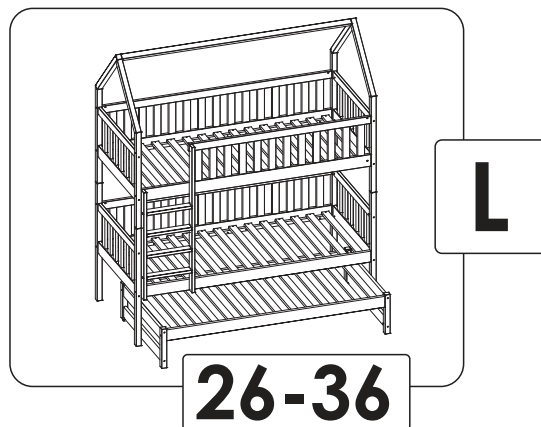
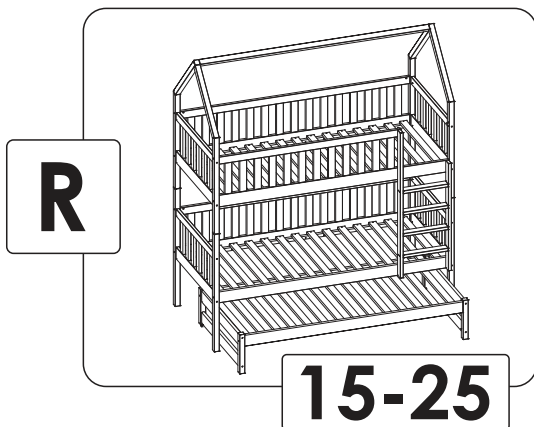
13.



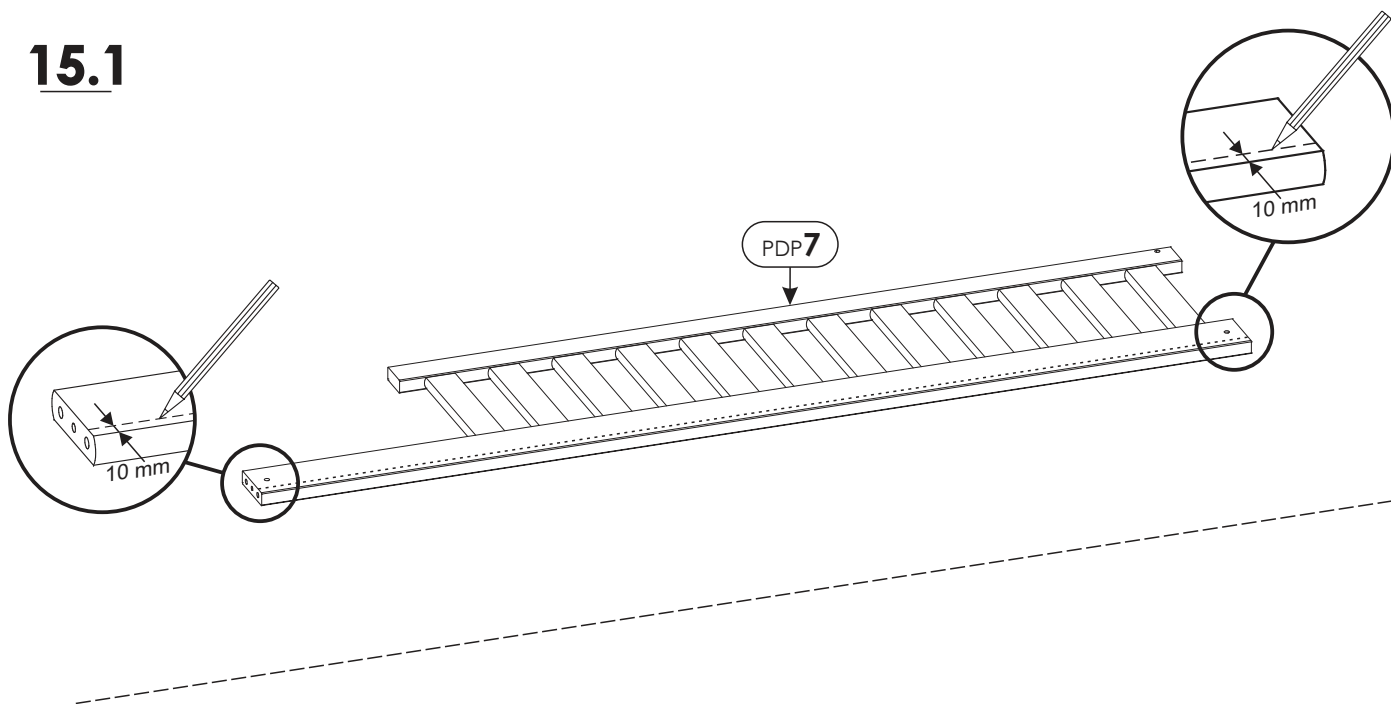
14.



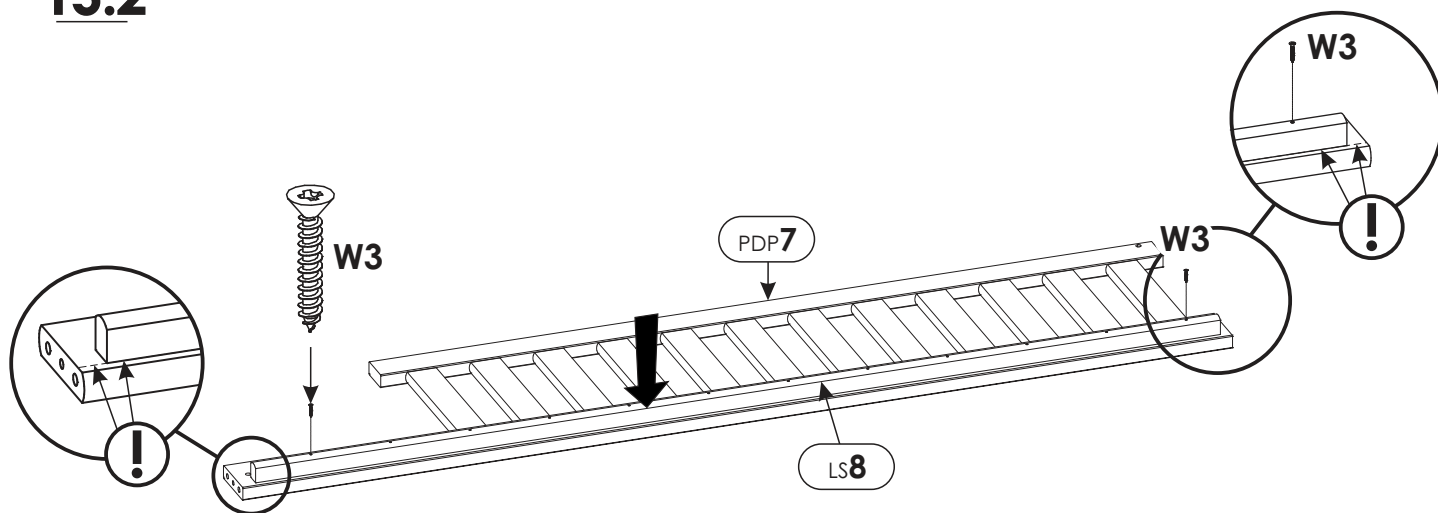
15.



15.1

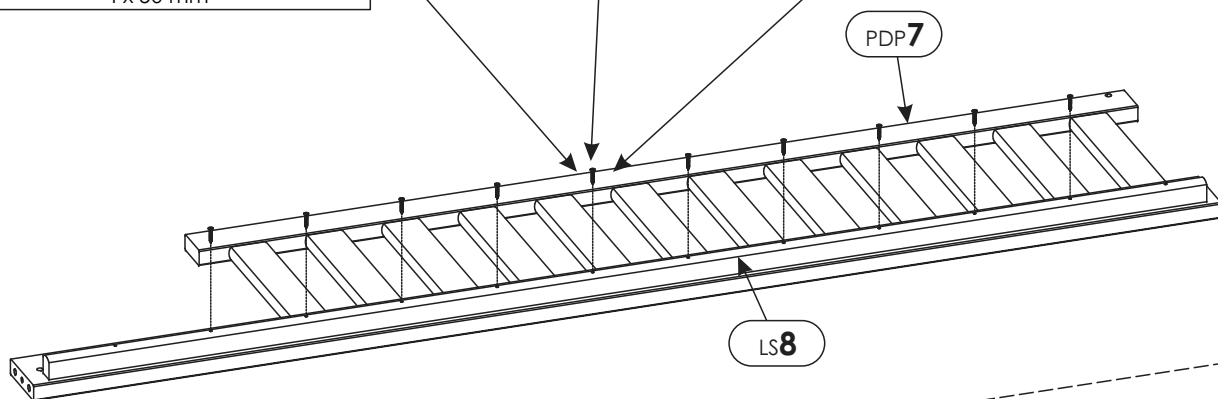
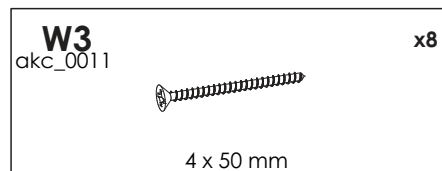
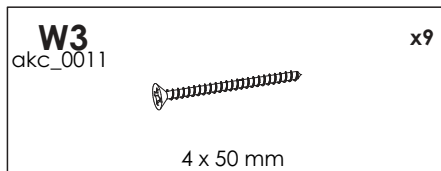
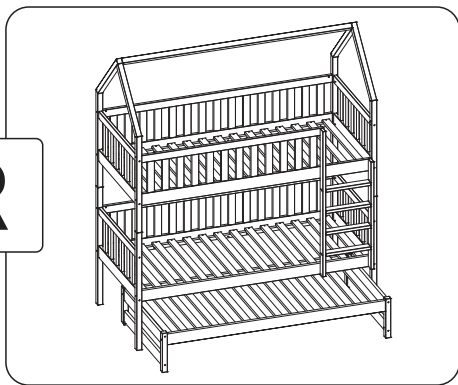


15.2

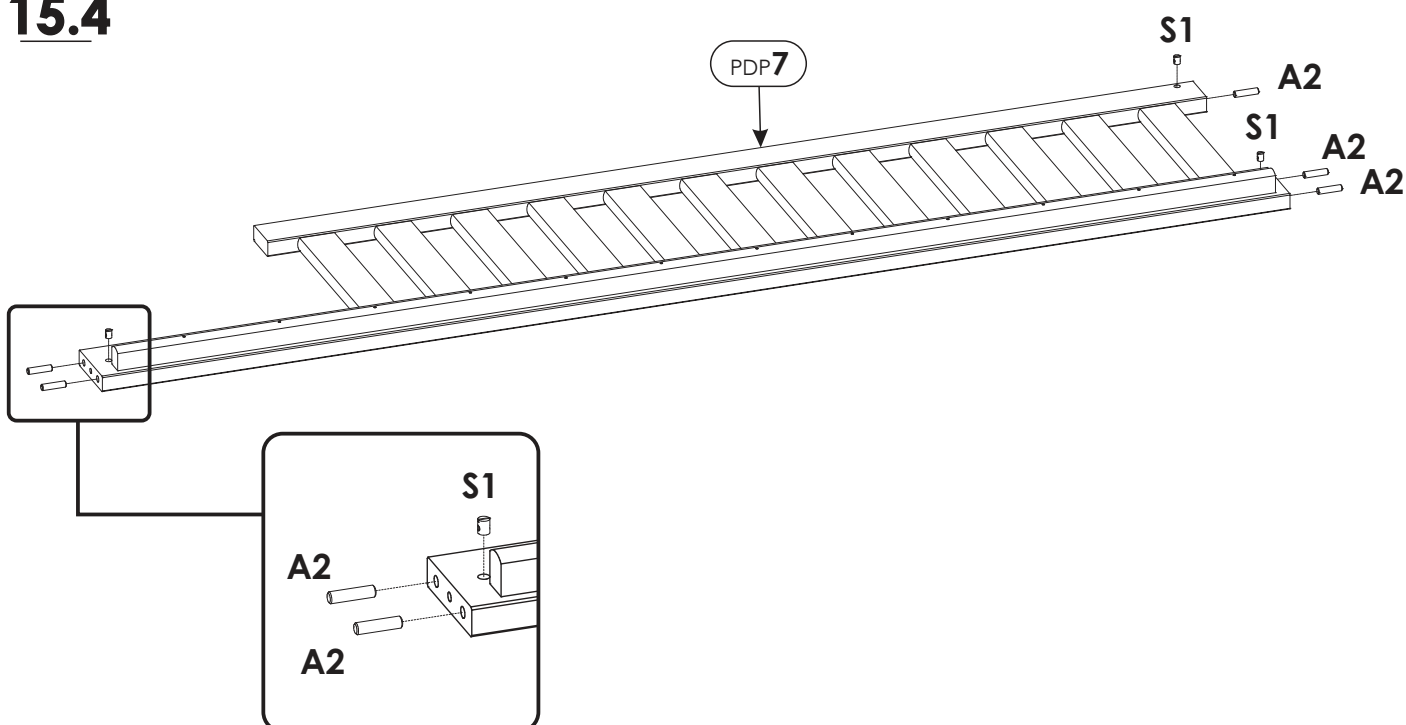


15.3

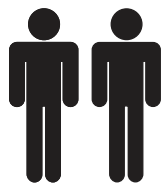
R



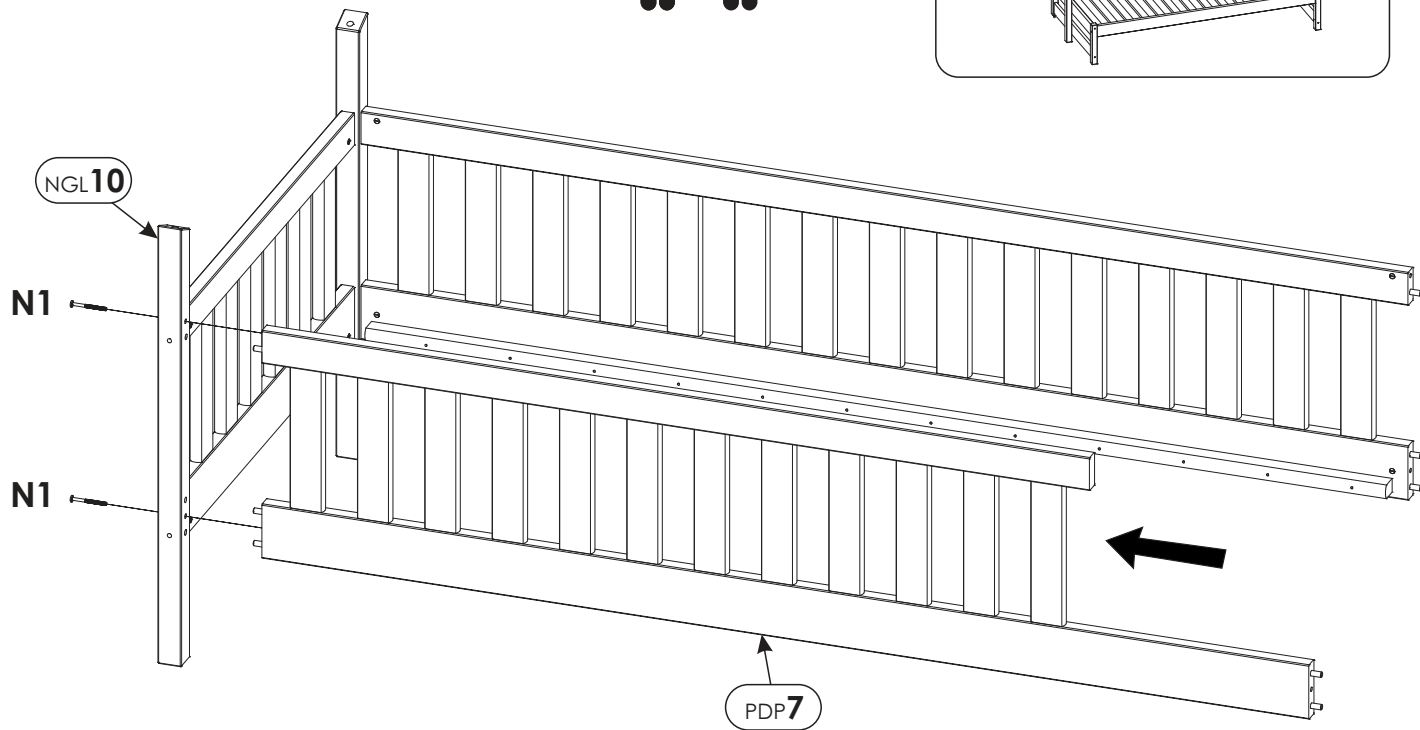
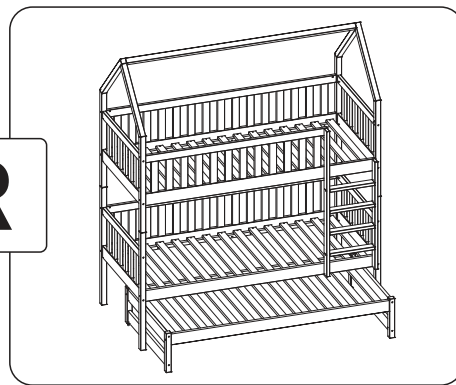
15.4



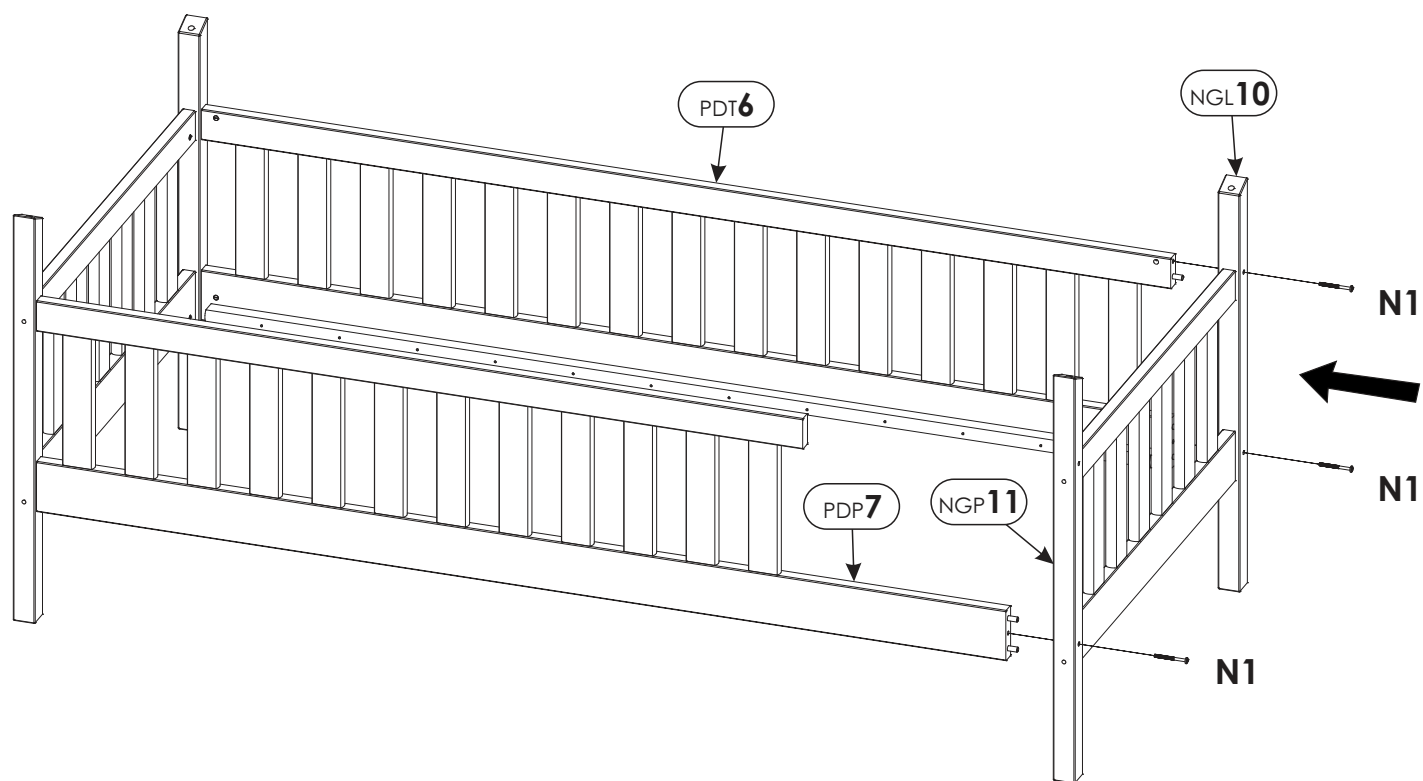
16.



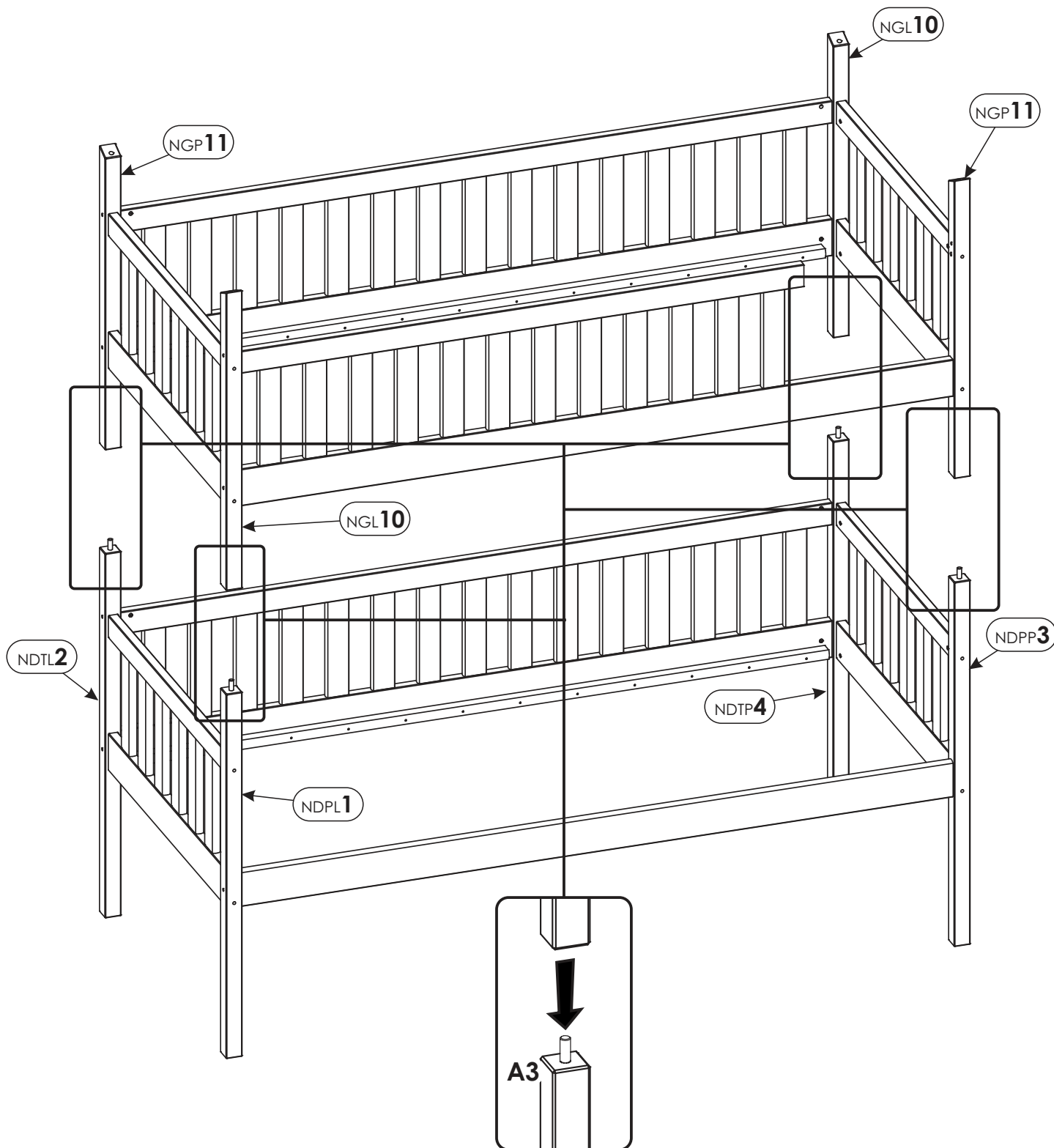
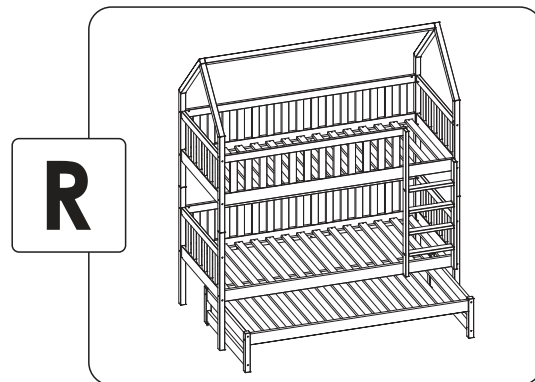
R



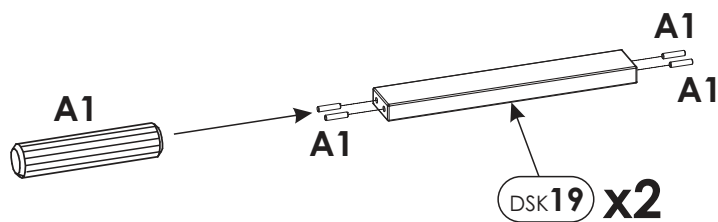
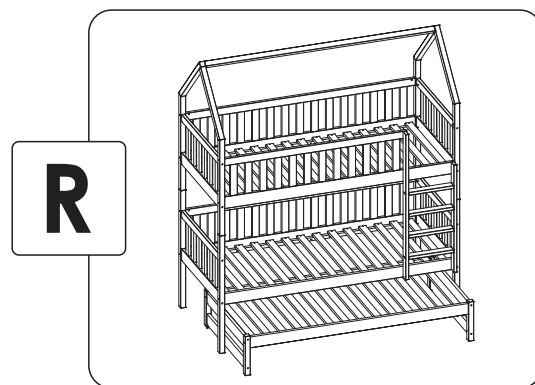
17.



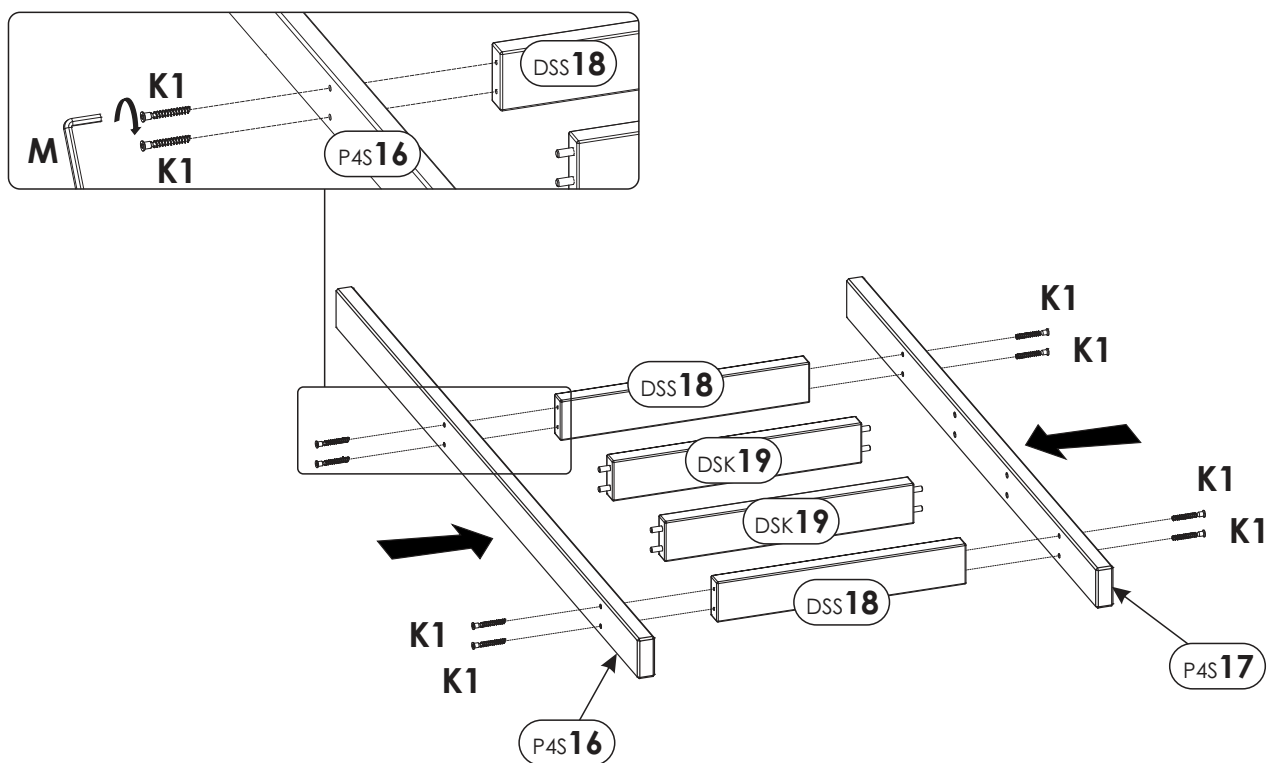
18.



19.

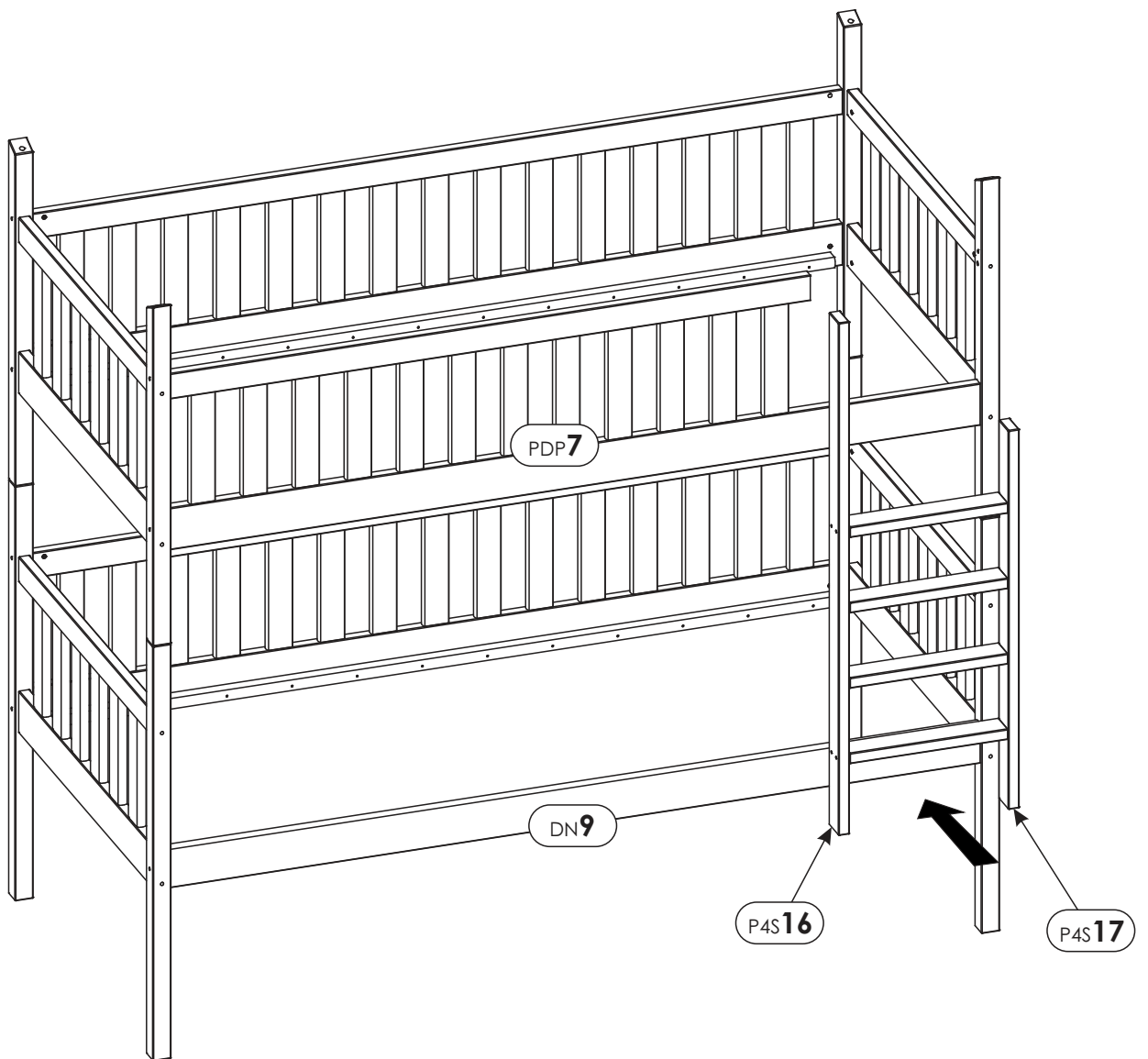
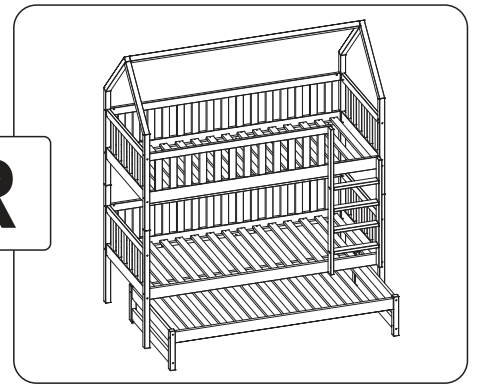


20.

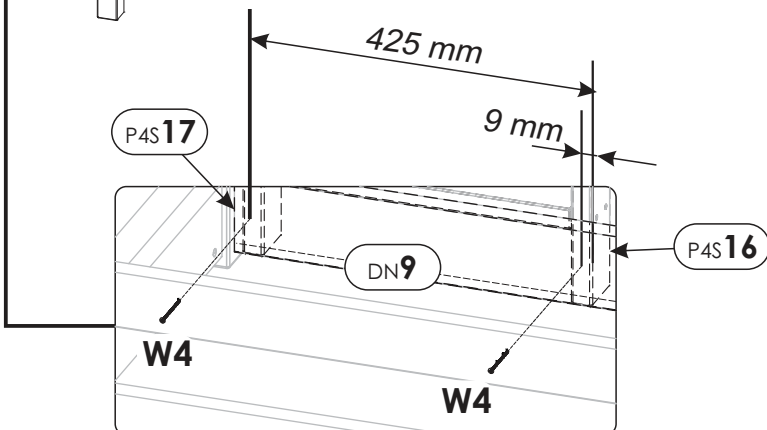
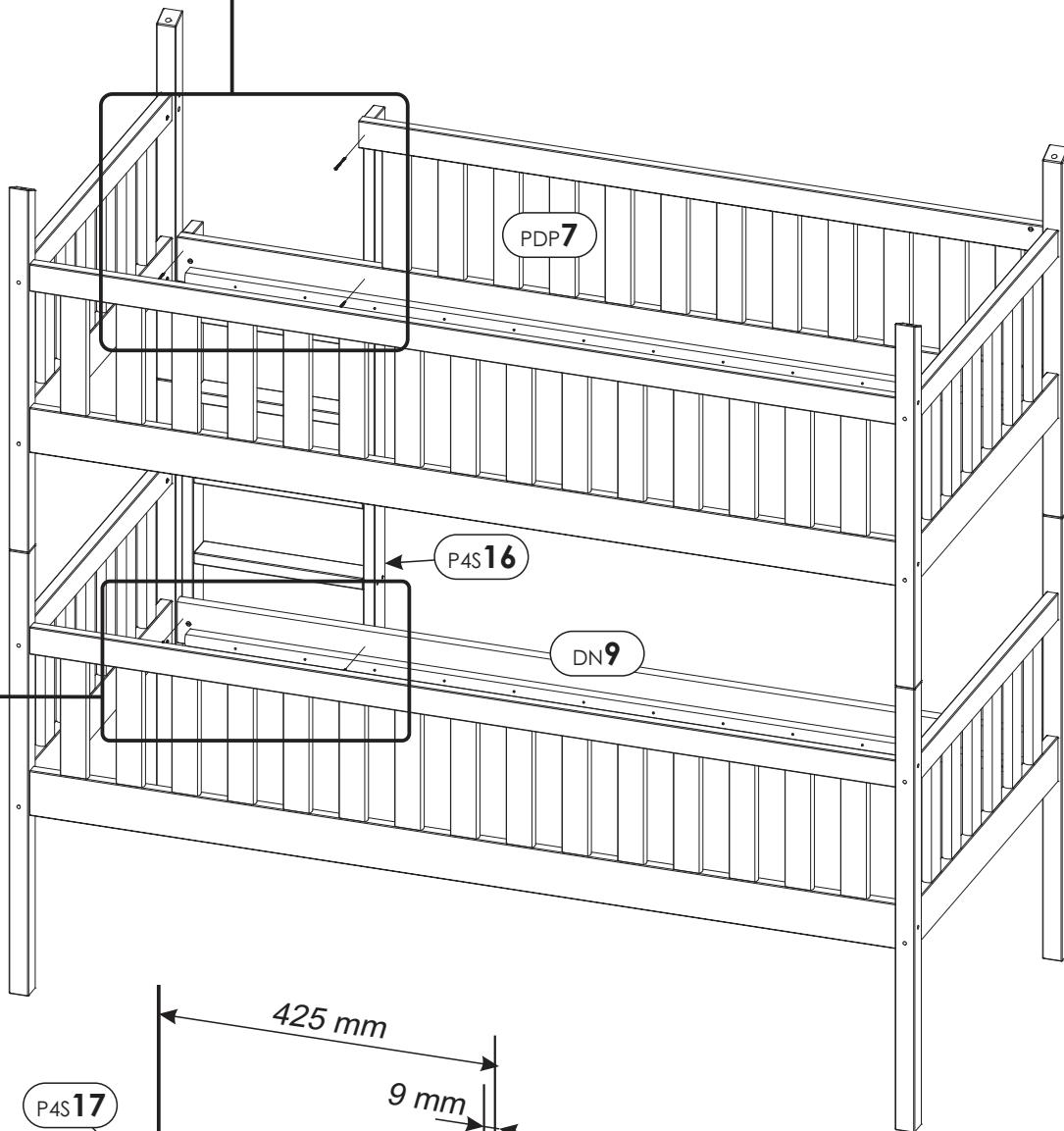
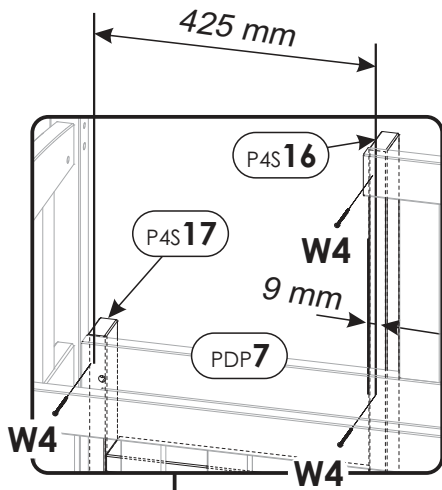
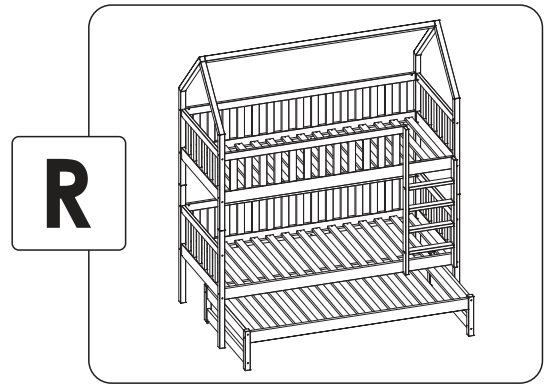


21.

R

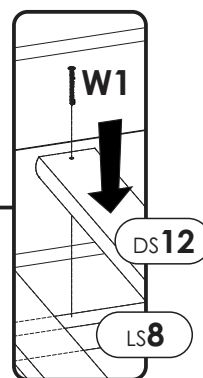
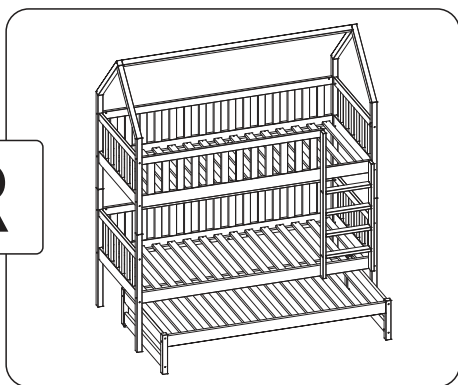


22.



23.

R



OPTION:

OPTION:

x15

x14

x13

x12

x10



x30

x28

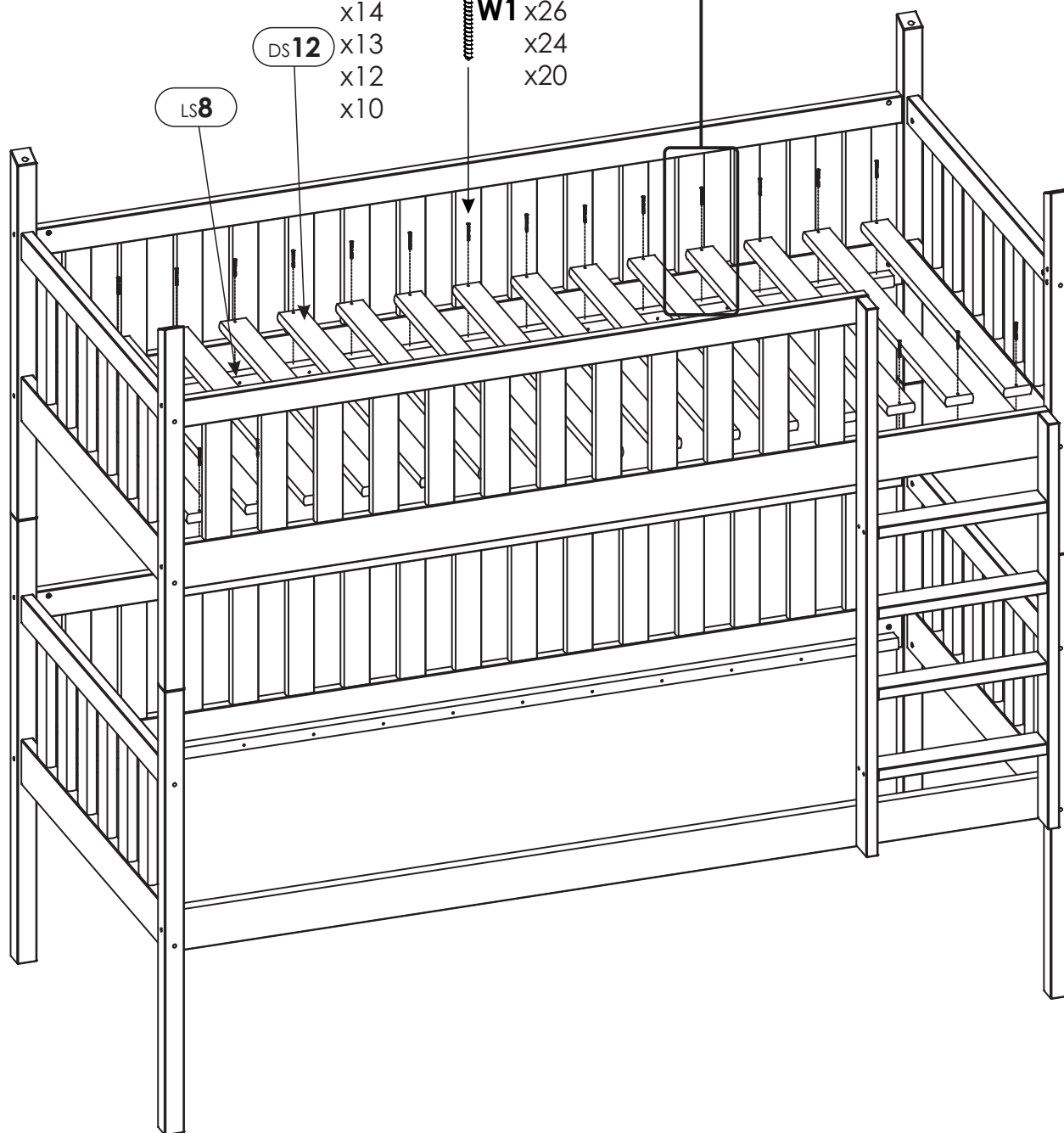
x26

x24

x20

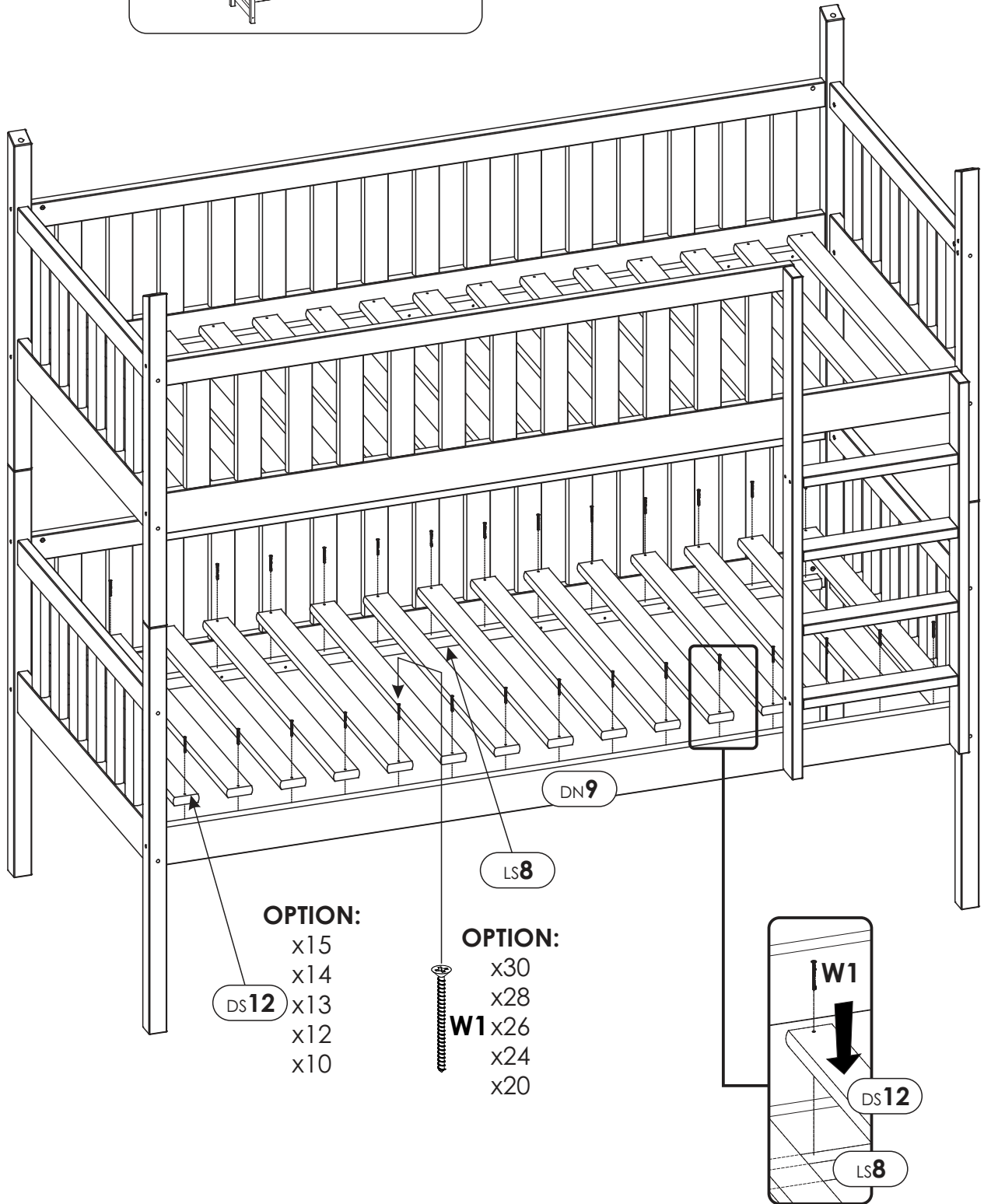
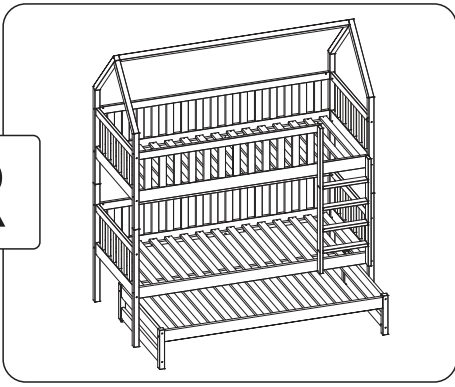
DS12

LS8



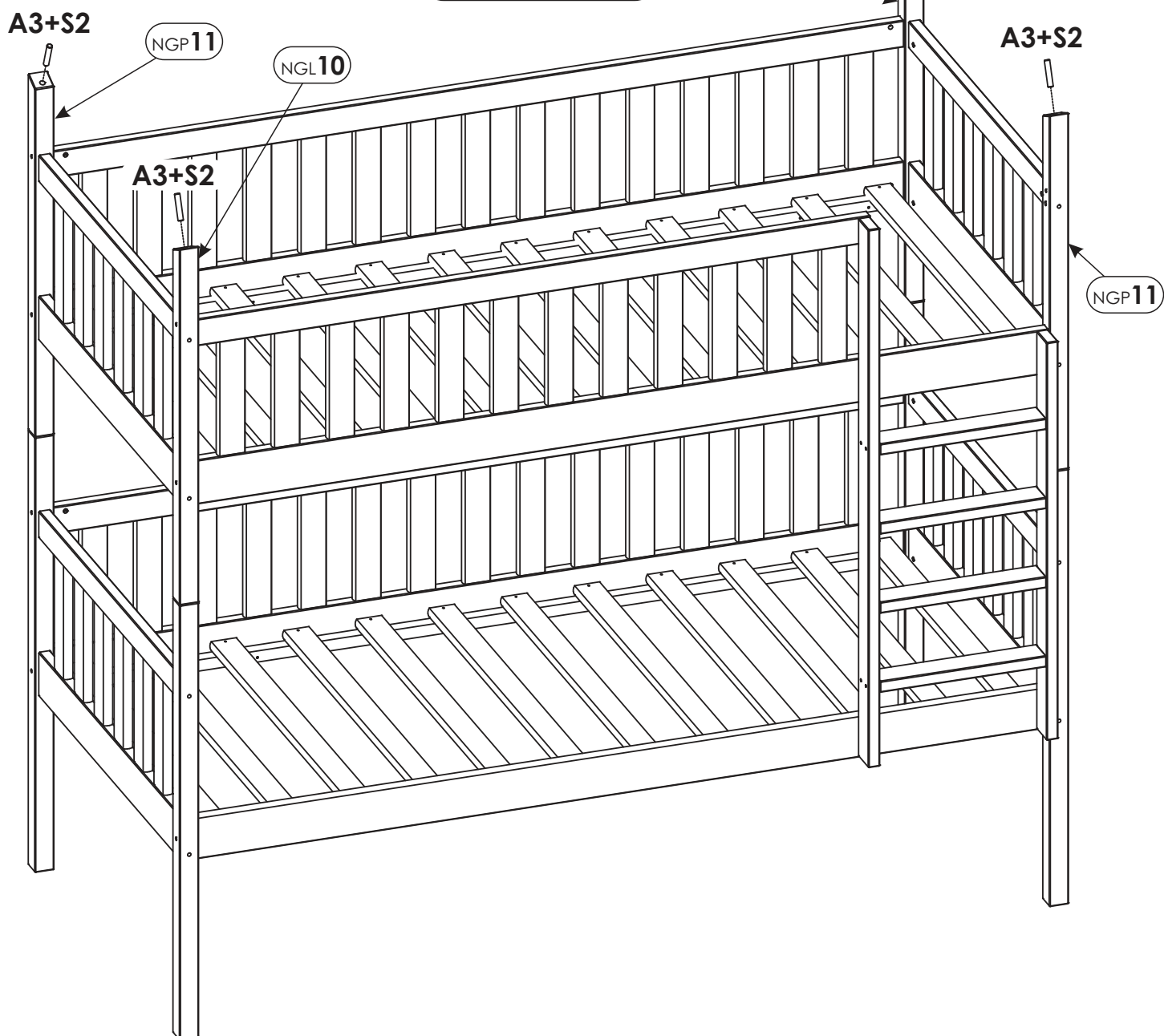
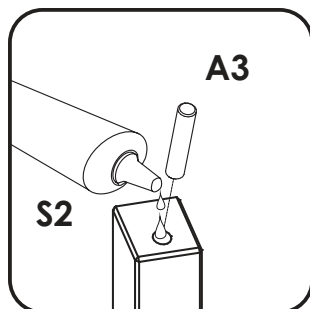
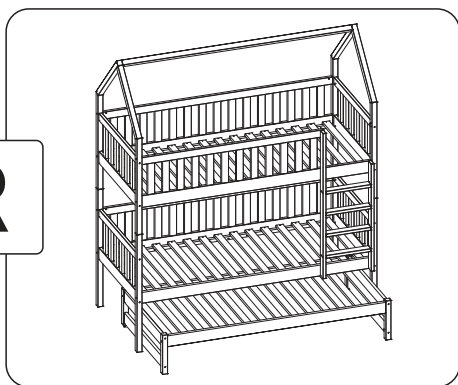
24.

R

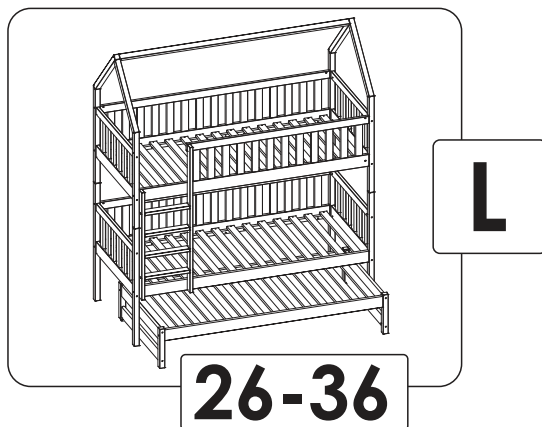


25.

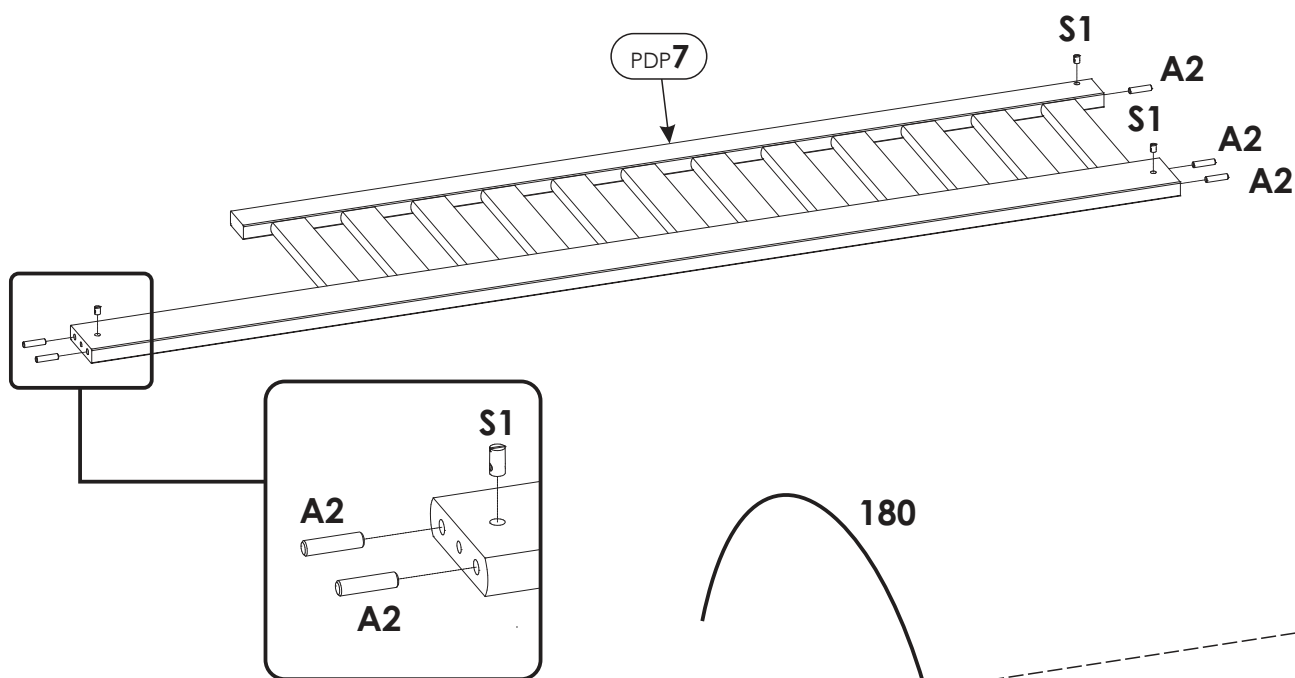
R



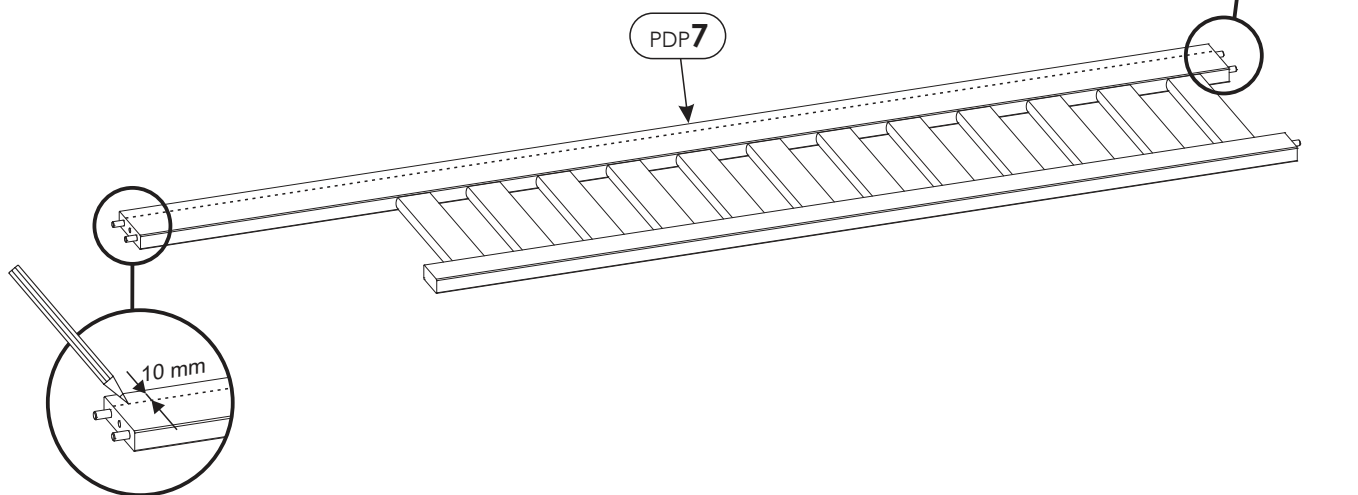
26.



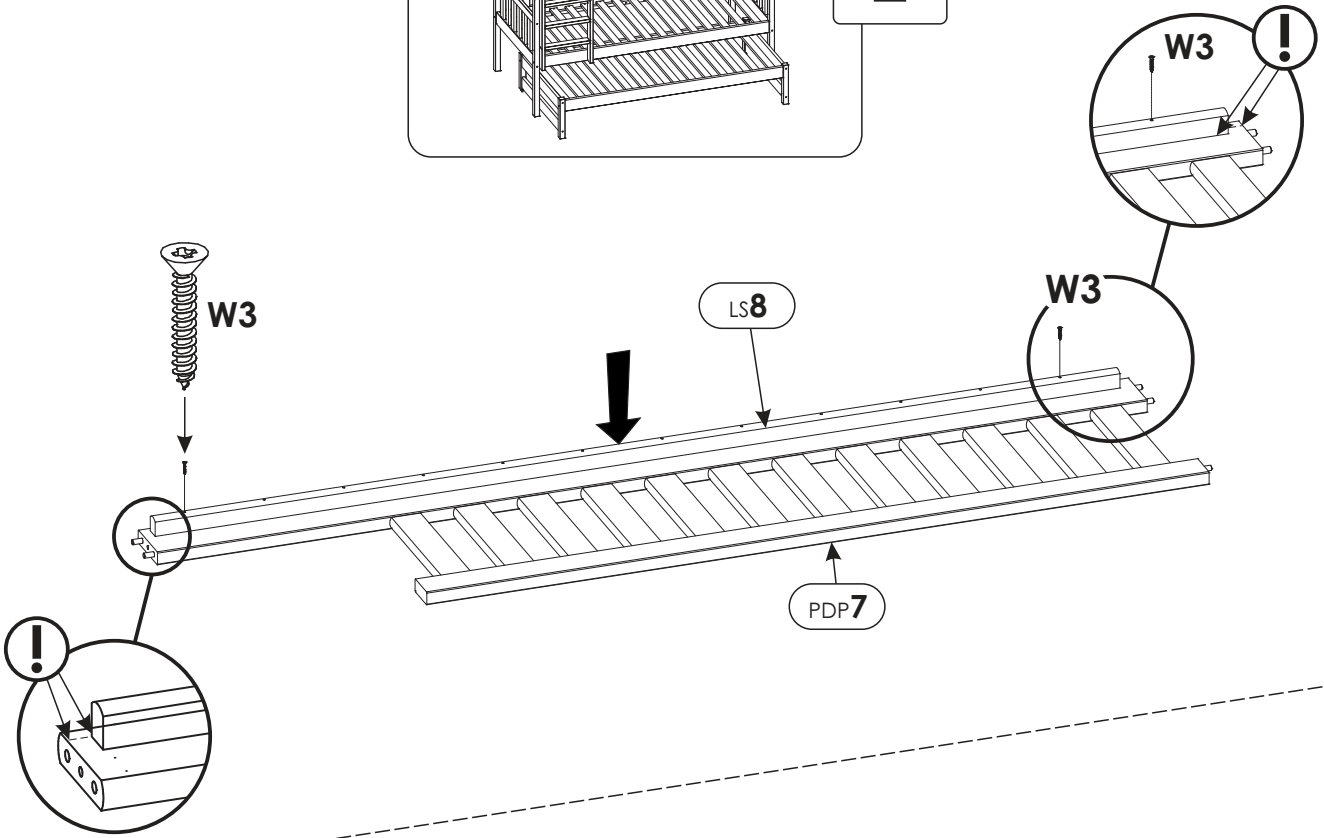
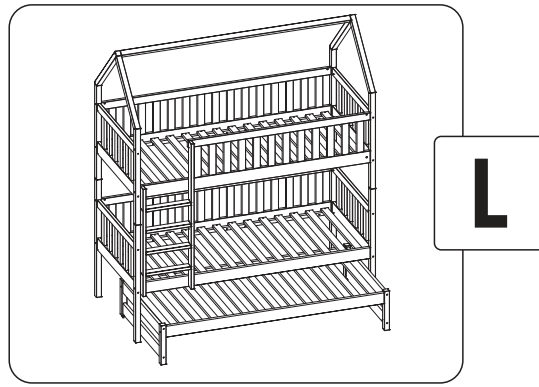
26.1



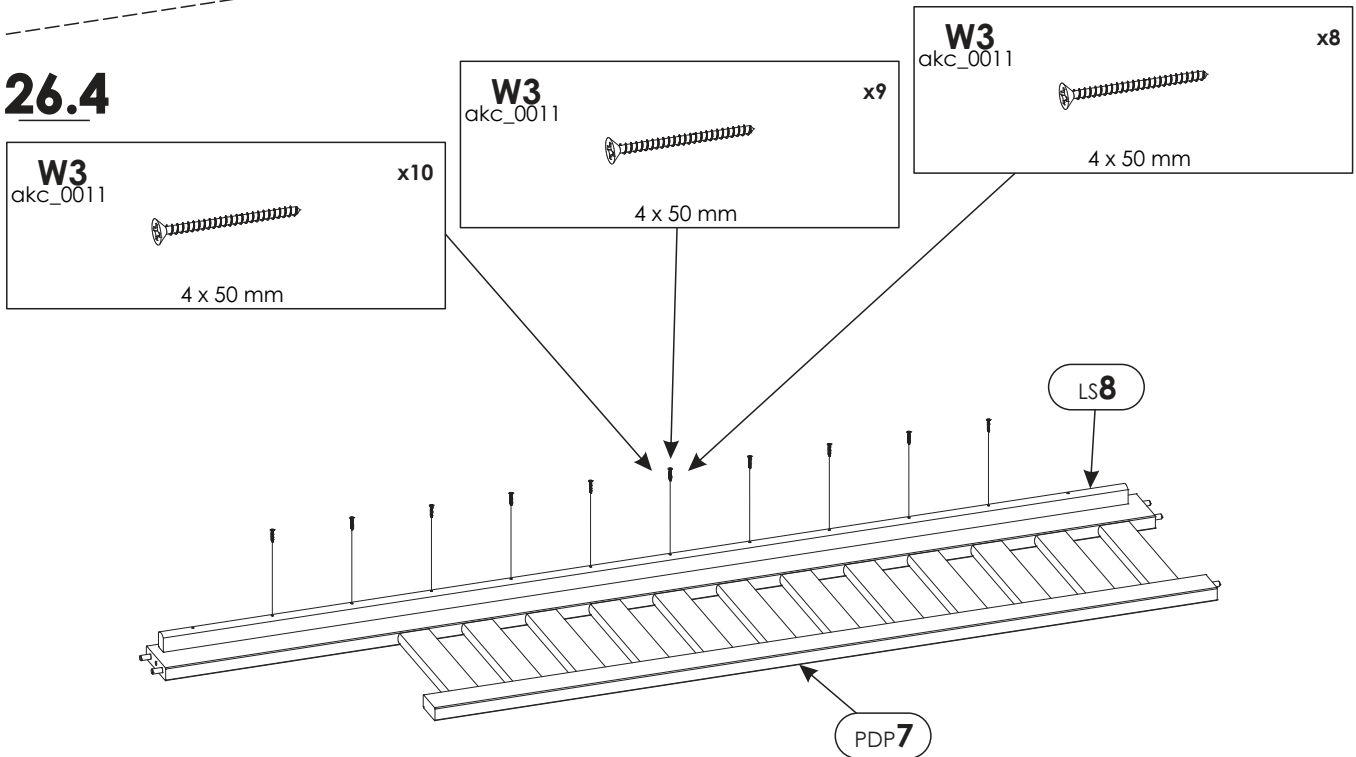
26.2



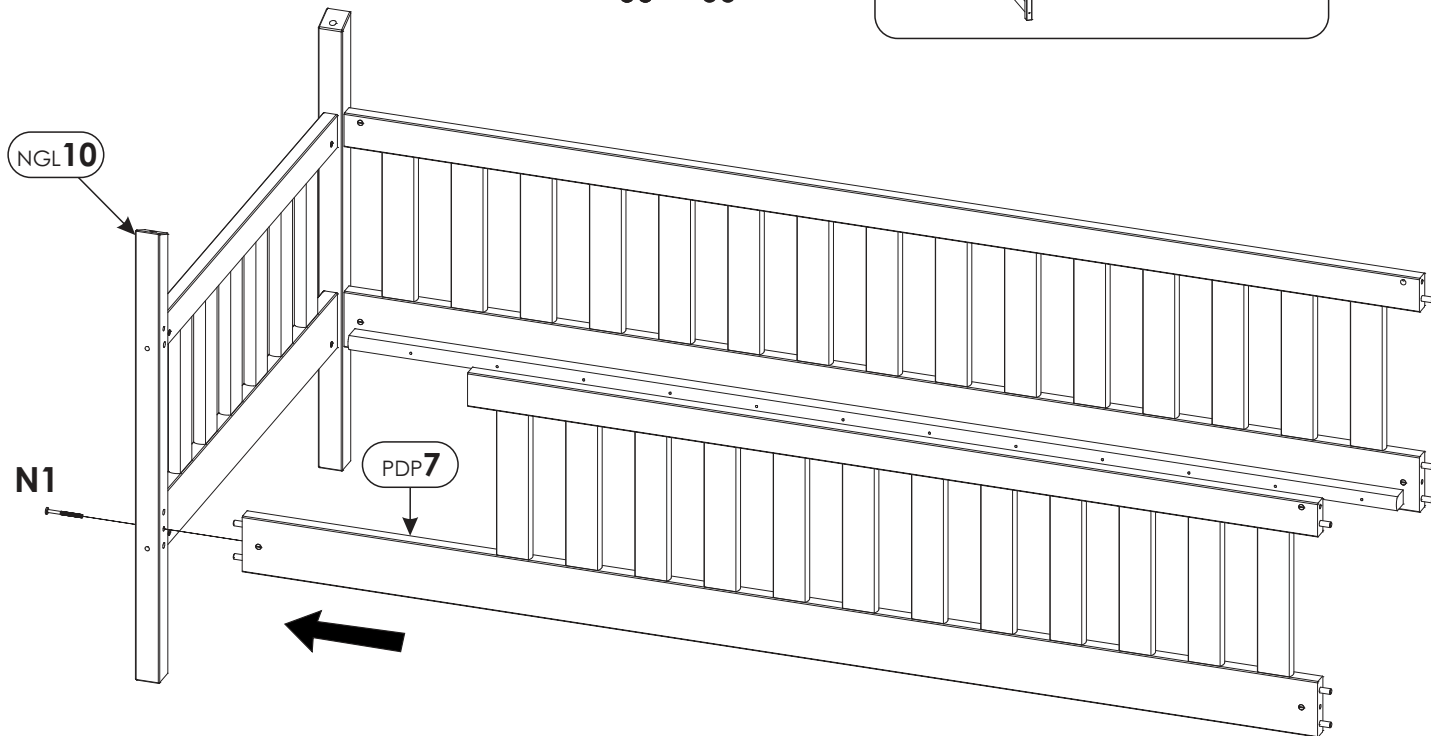
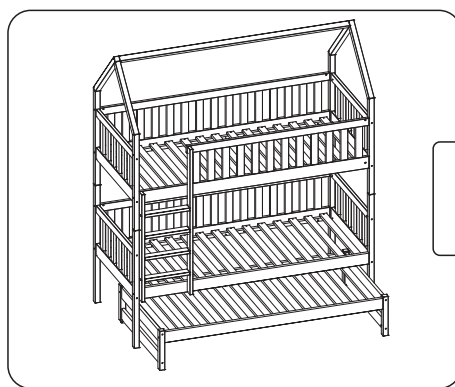
26.3



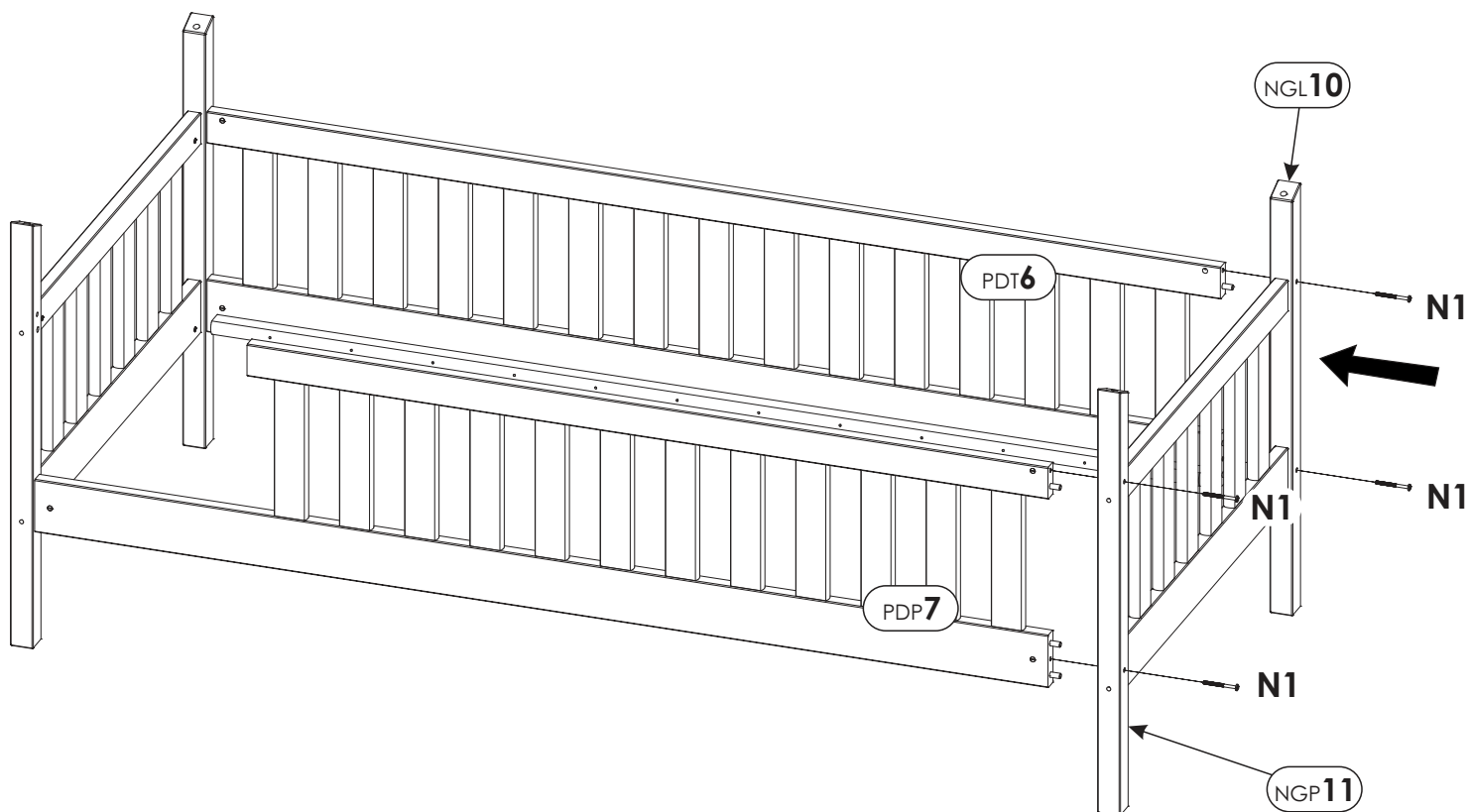
26.4



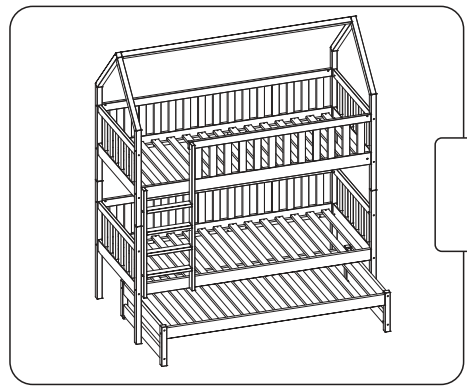
27.



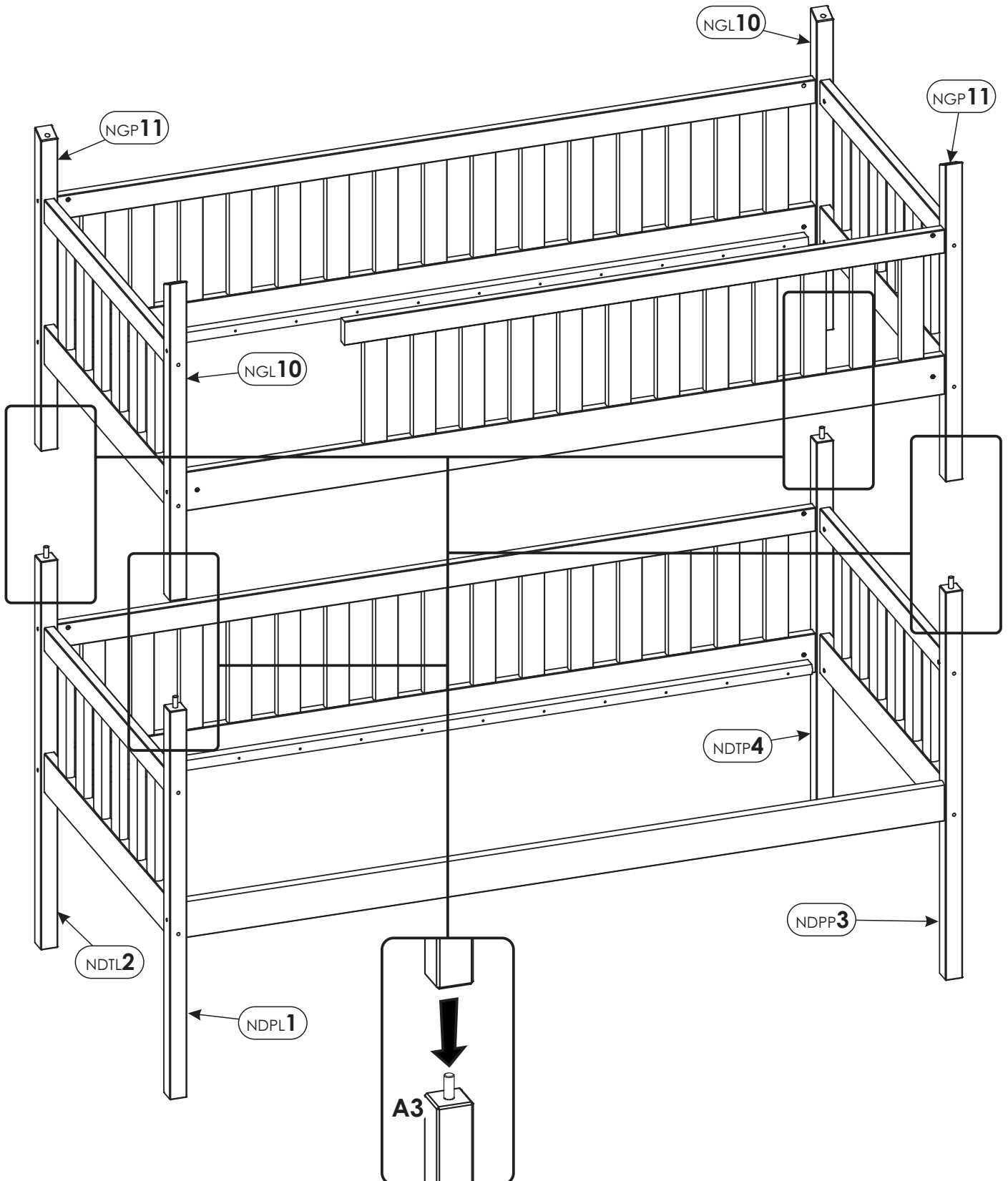
28.



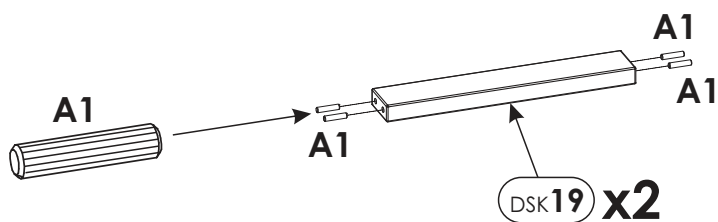
29.



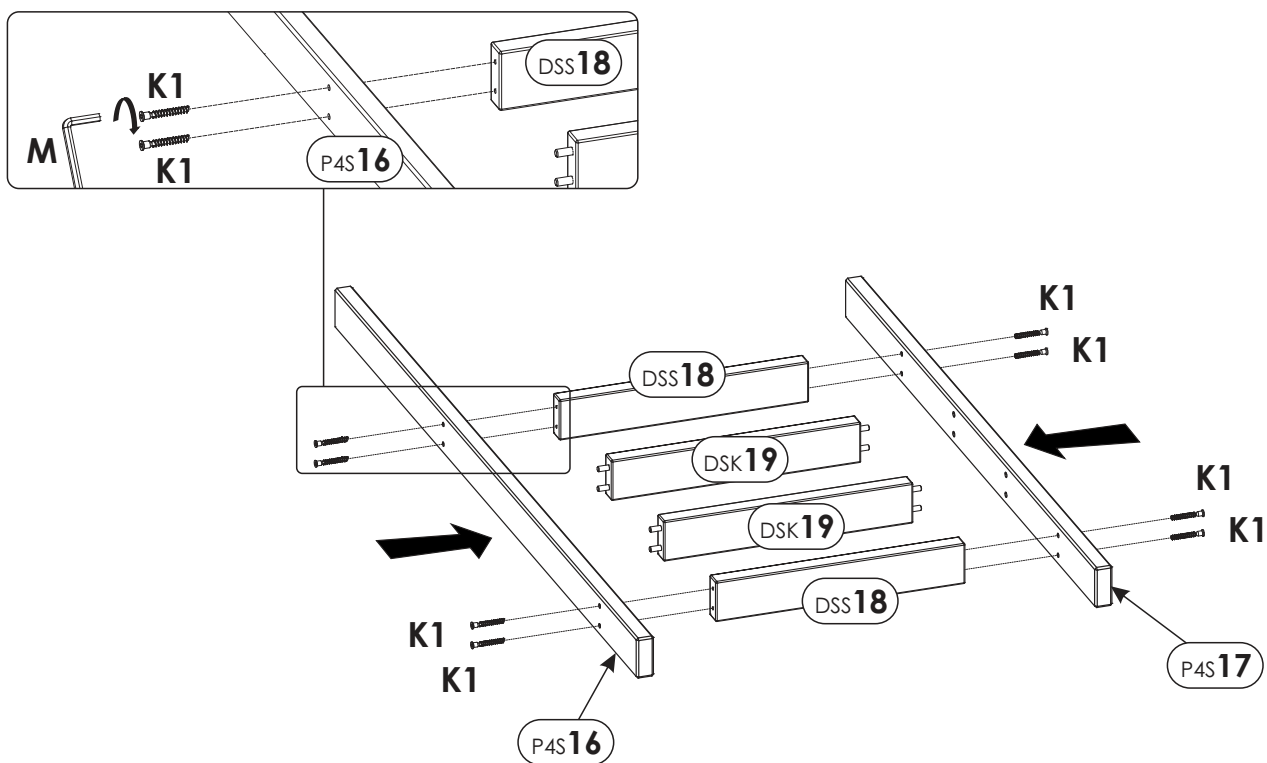
L



30.



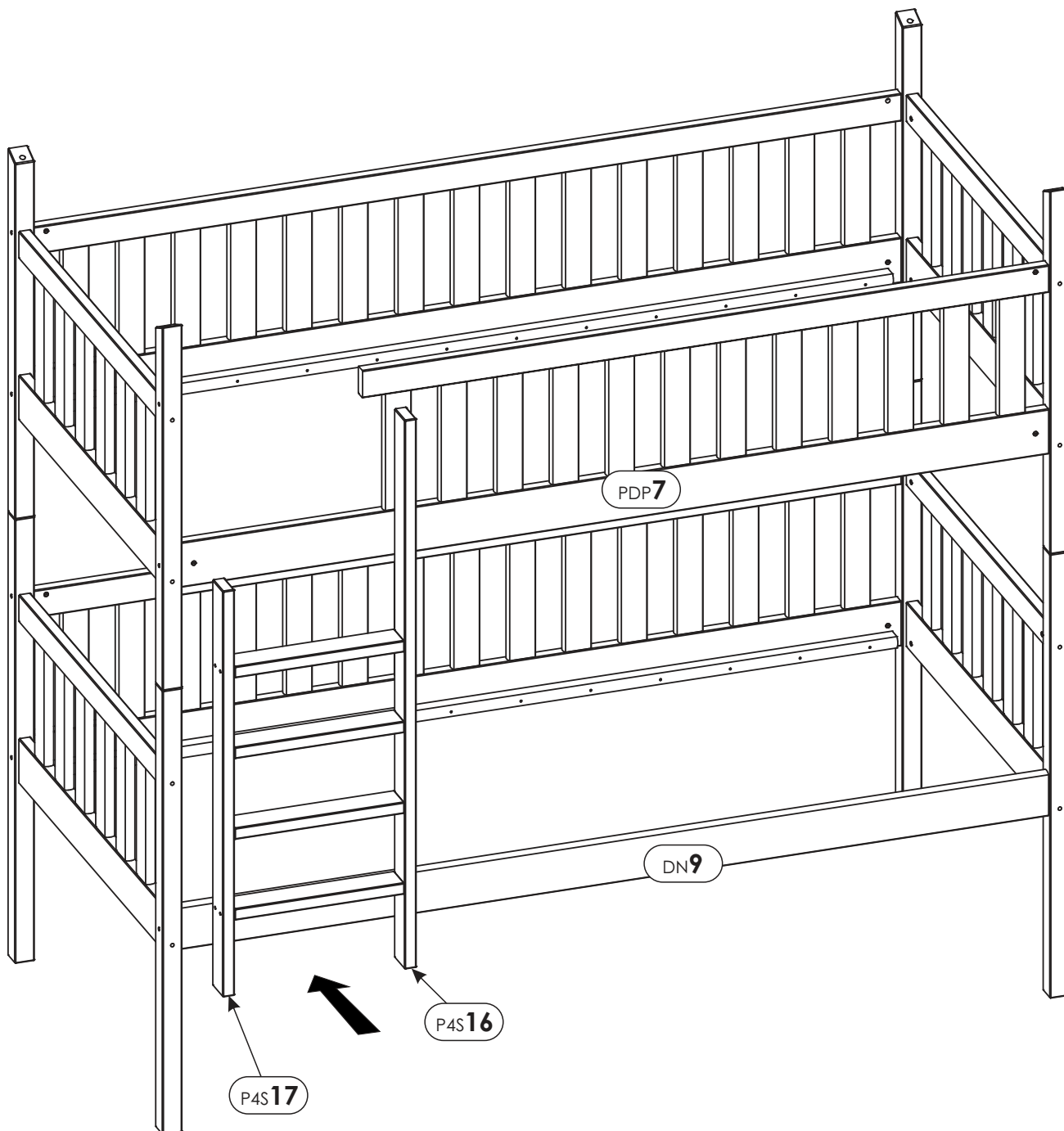
31.



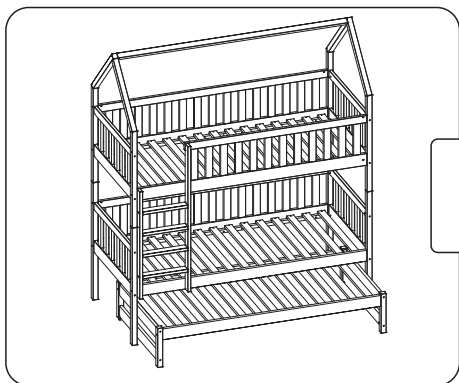
32.



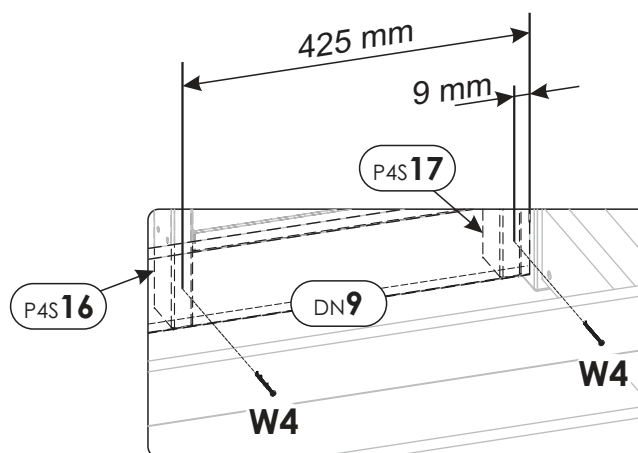
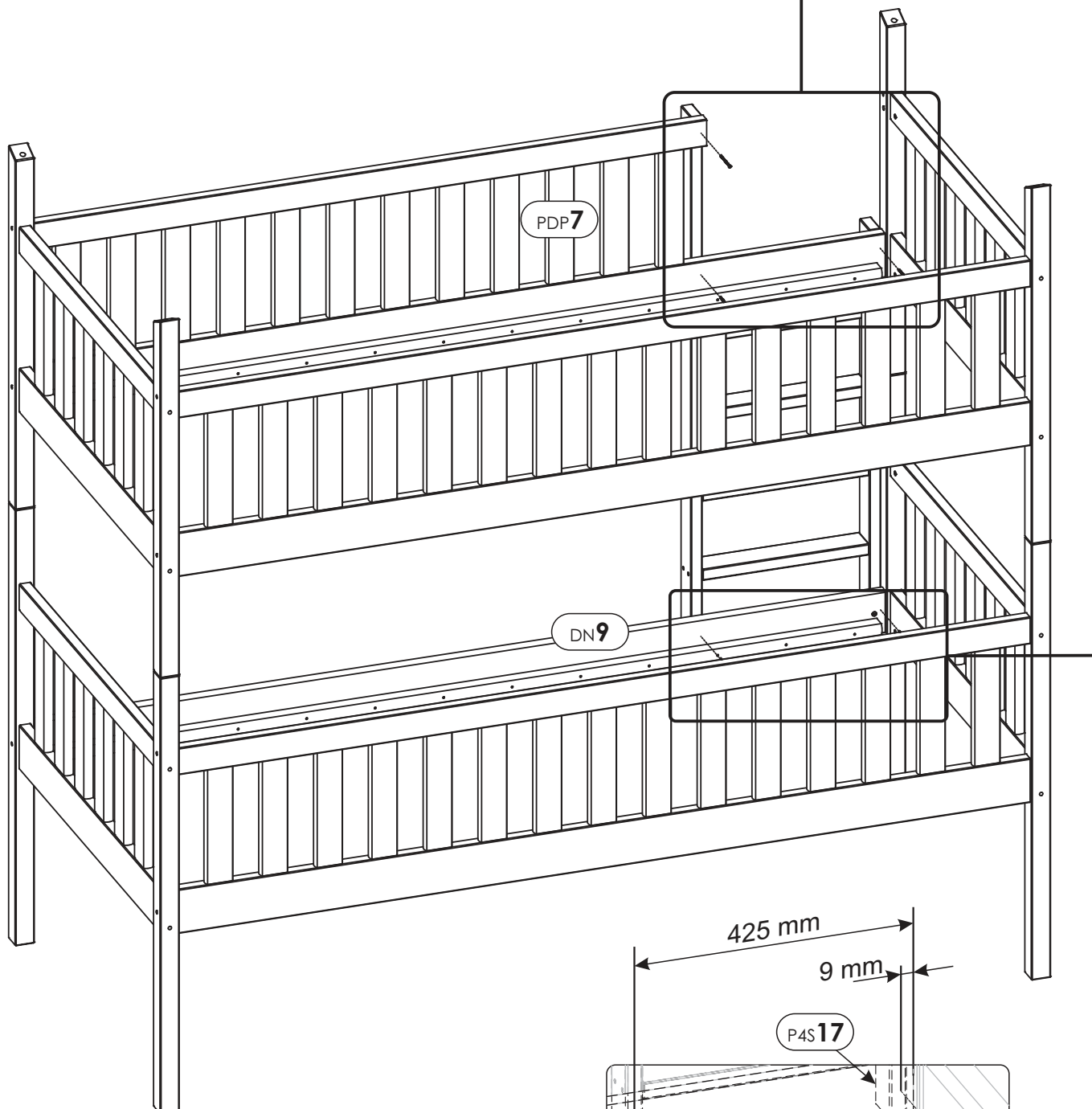
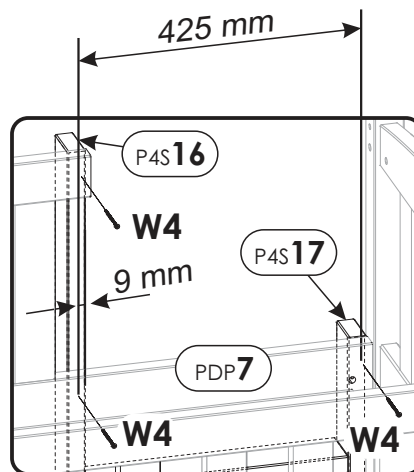
L



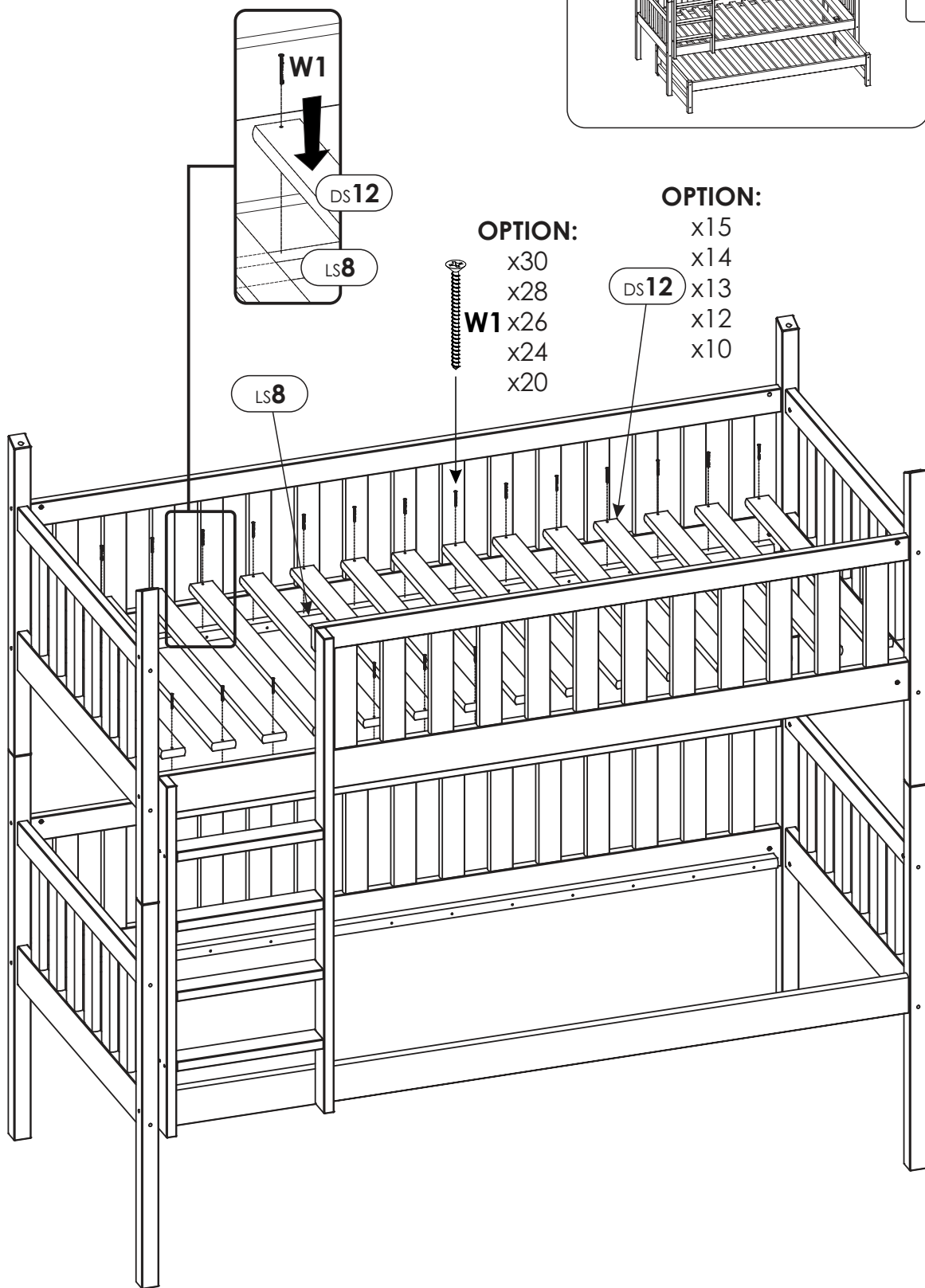
33.



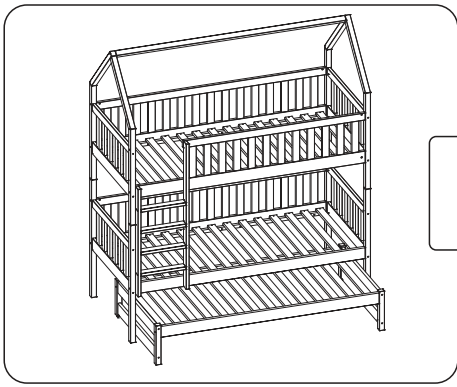
L



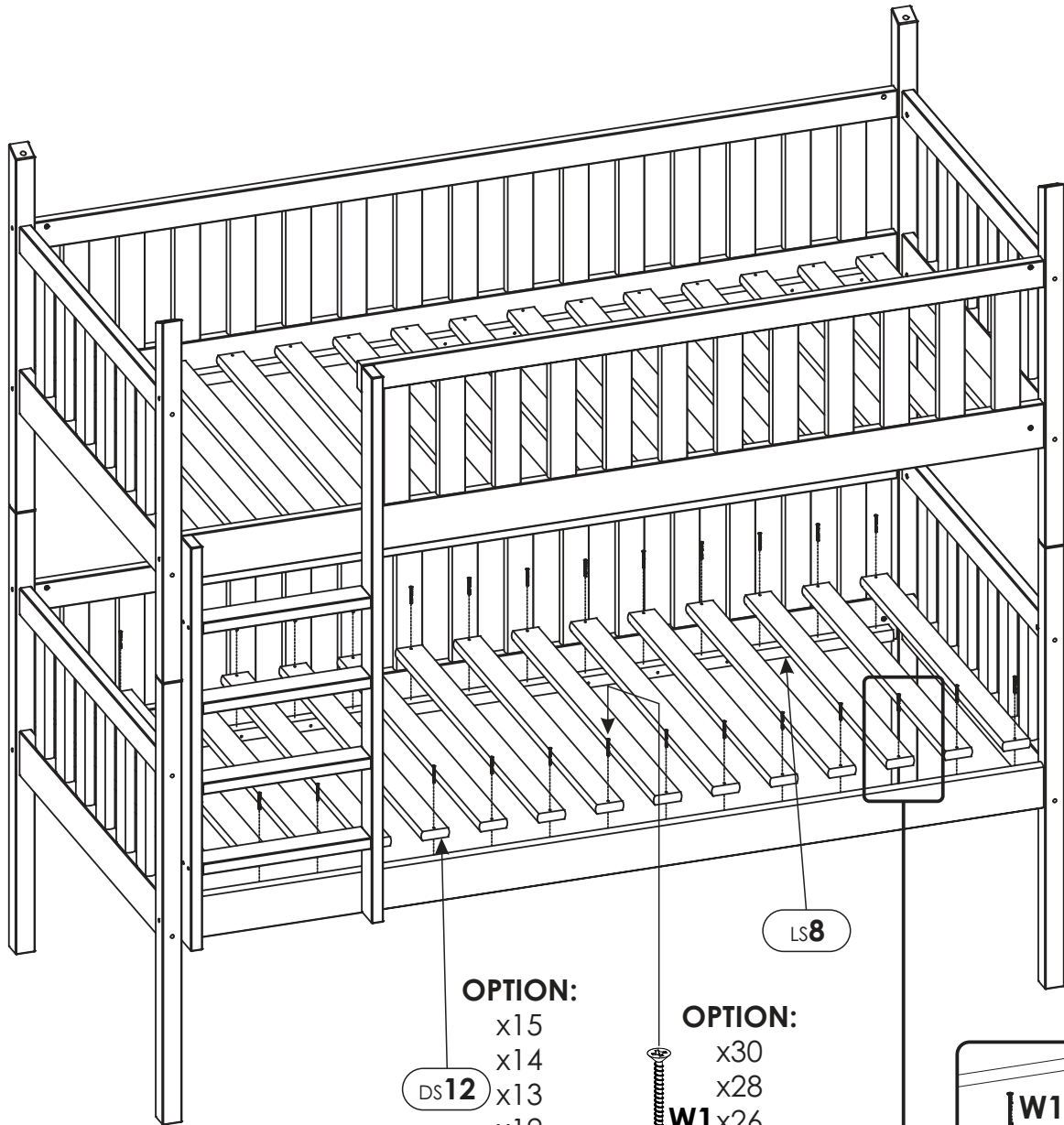
34.



35.



L



OPTION:

- x15
- x14
- x13
- x12
- x10

DS12

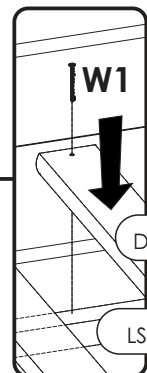
OPTION:

- x30
- x28
- x26
- x24
- x20



W1

LS8

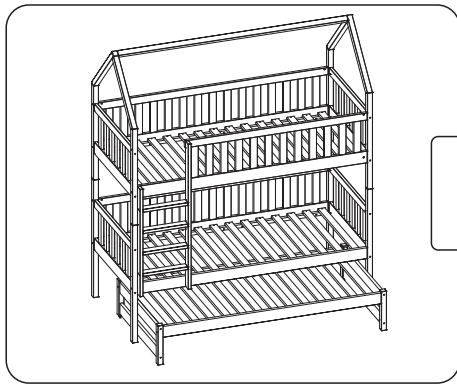


W1

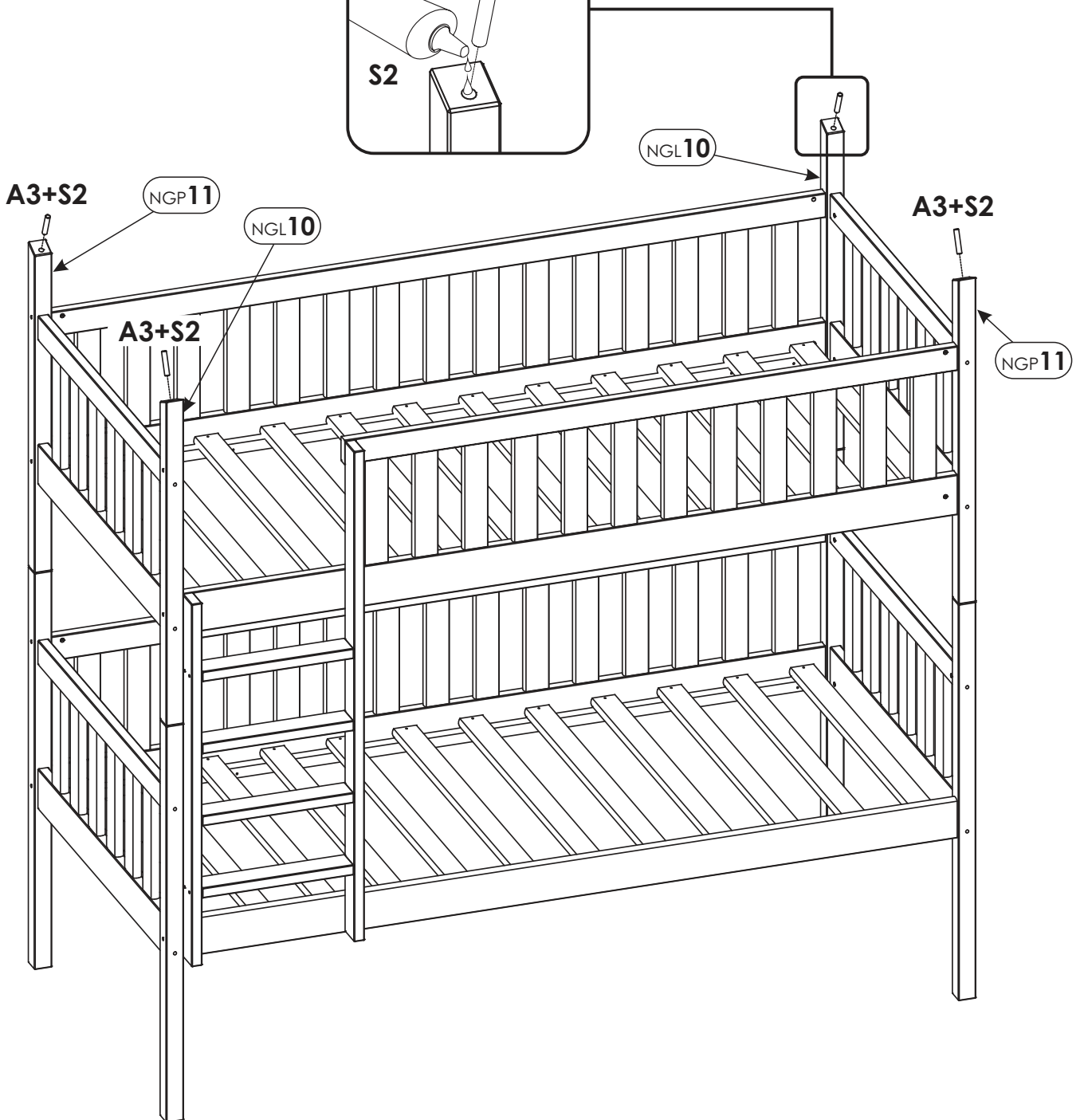
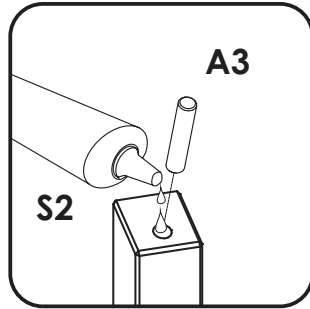
DS12

LS8

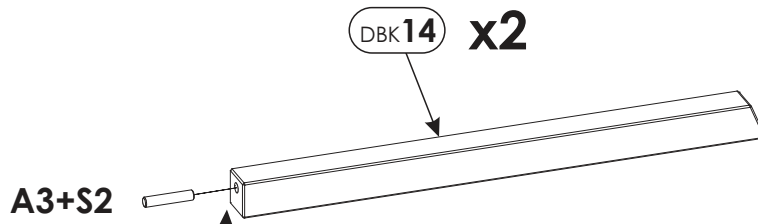
36.



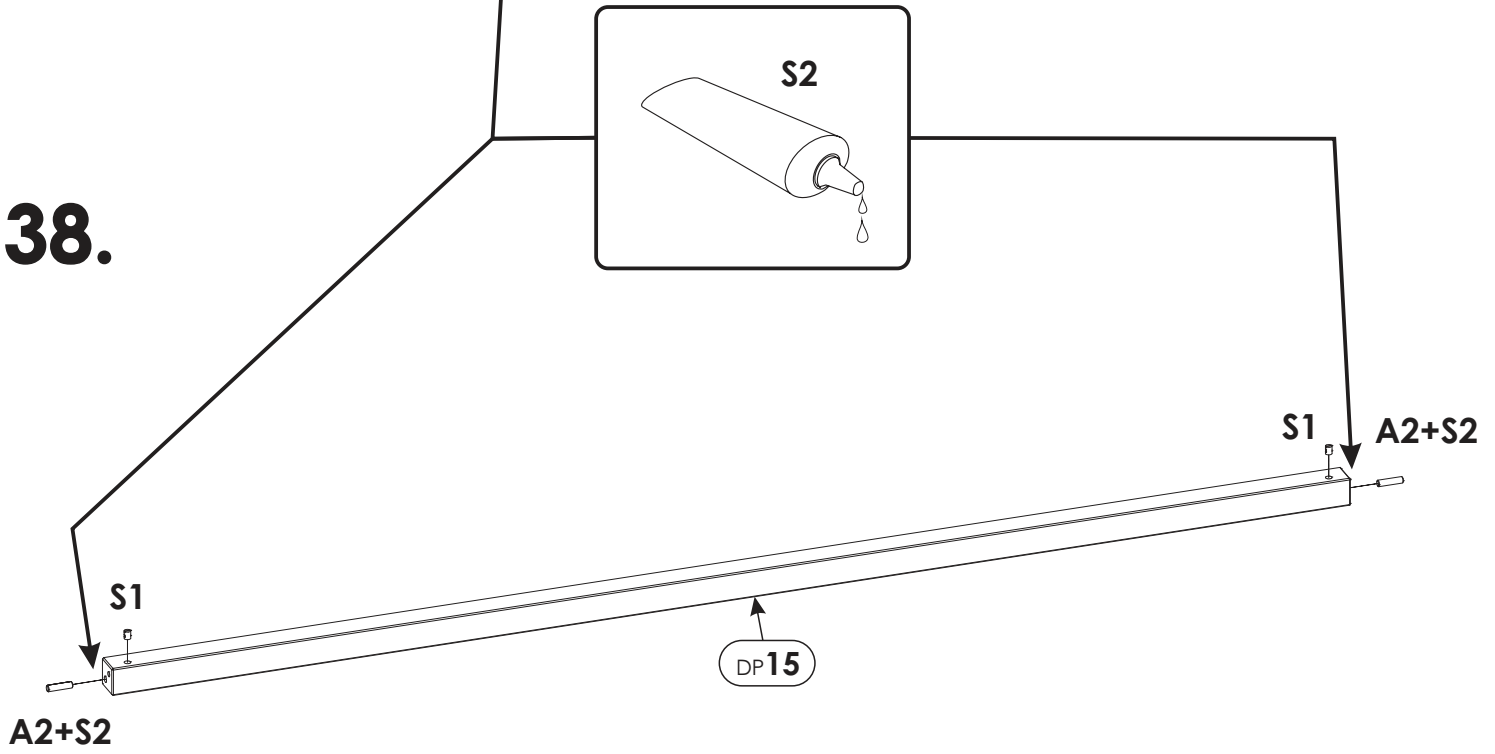
L



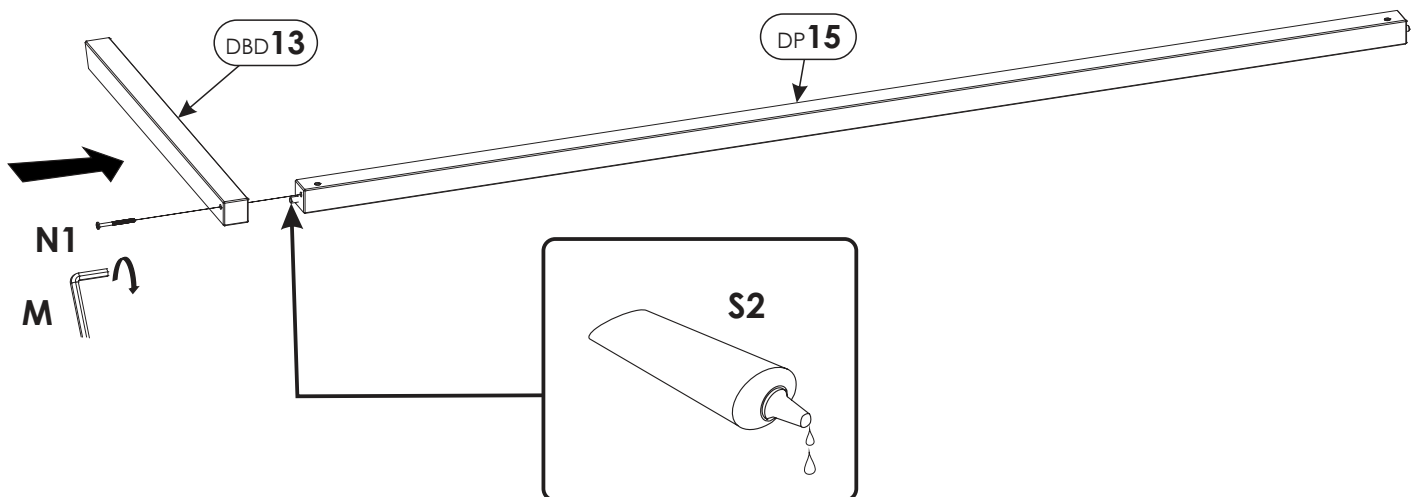
37.



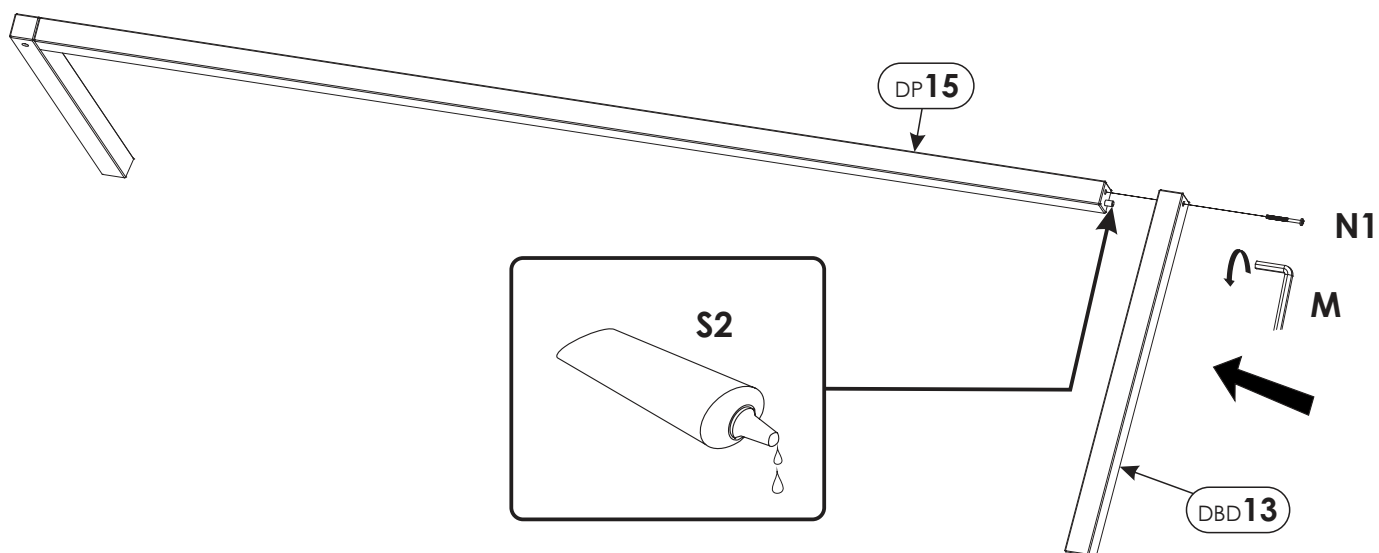
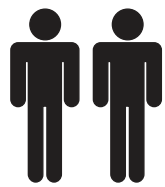
38.



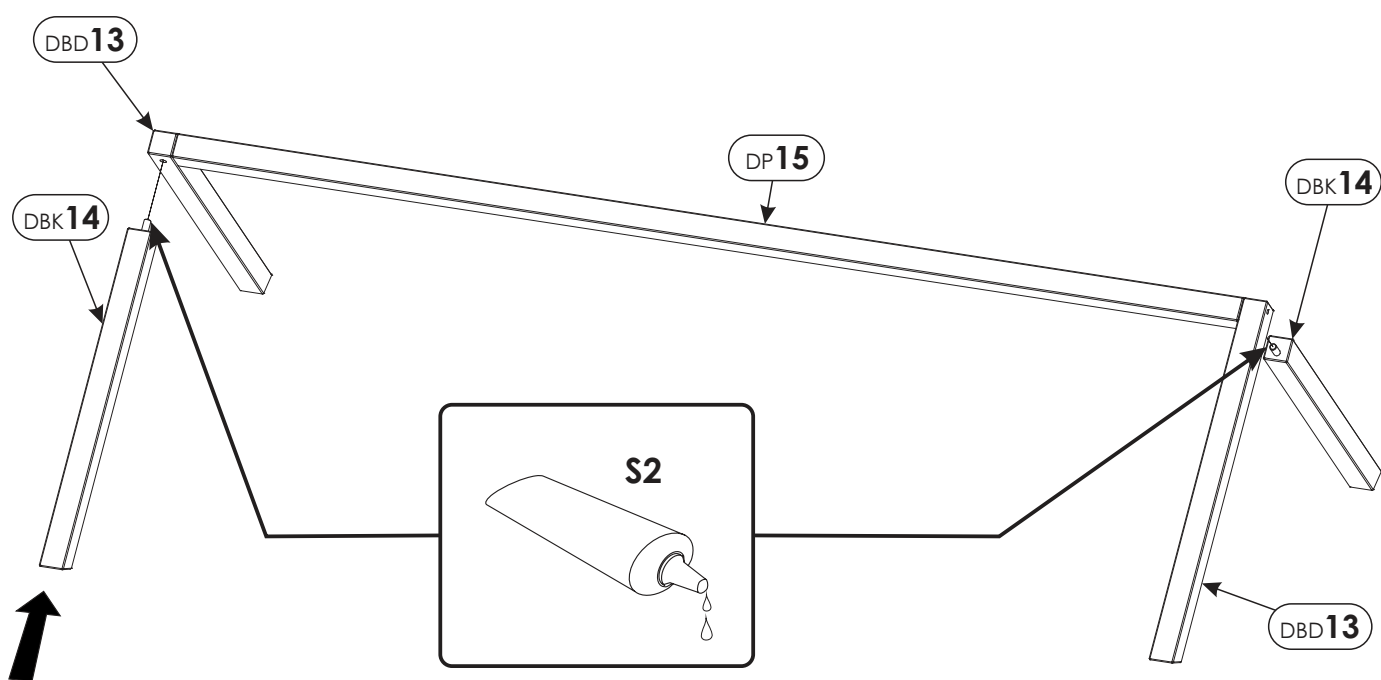
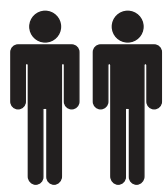
39.



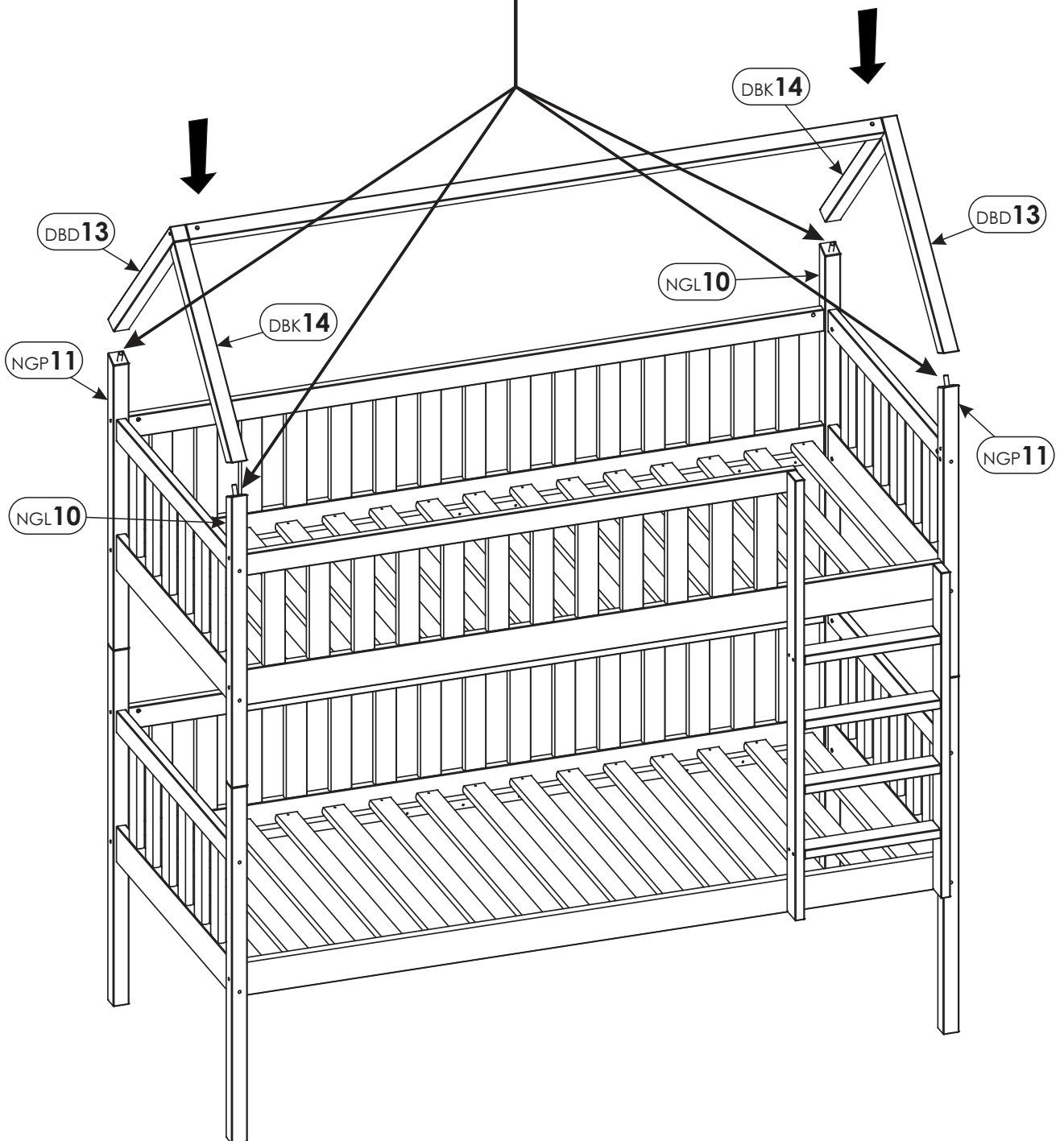
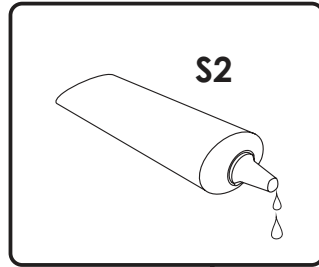
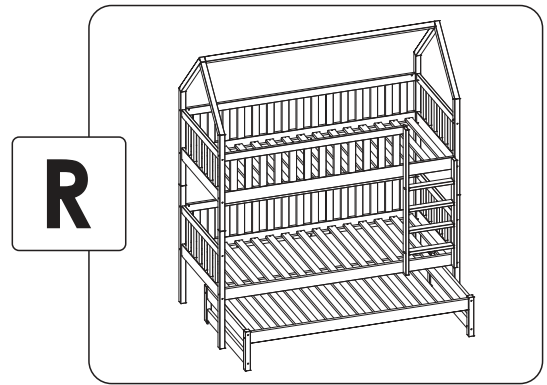
40.



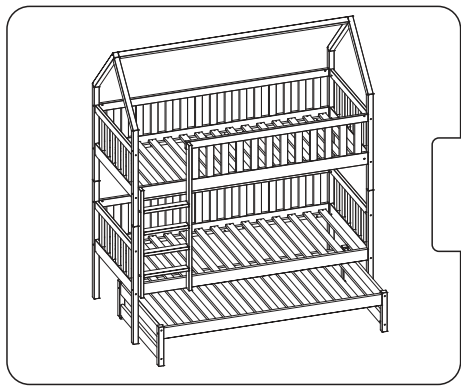
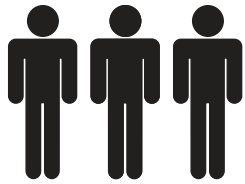
41.



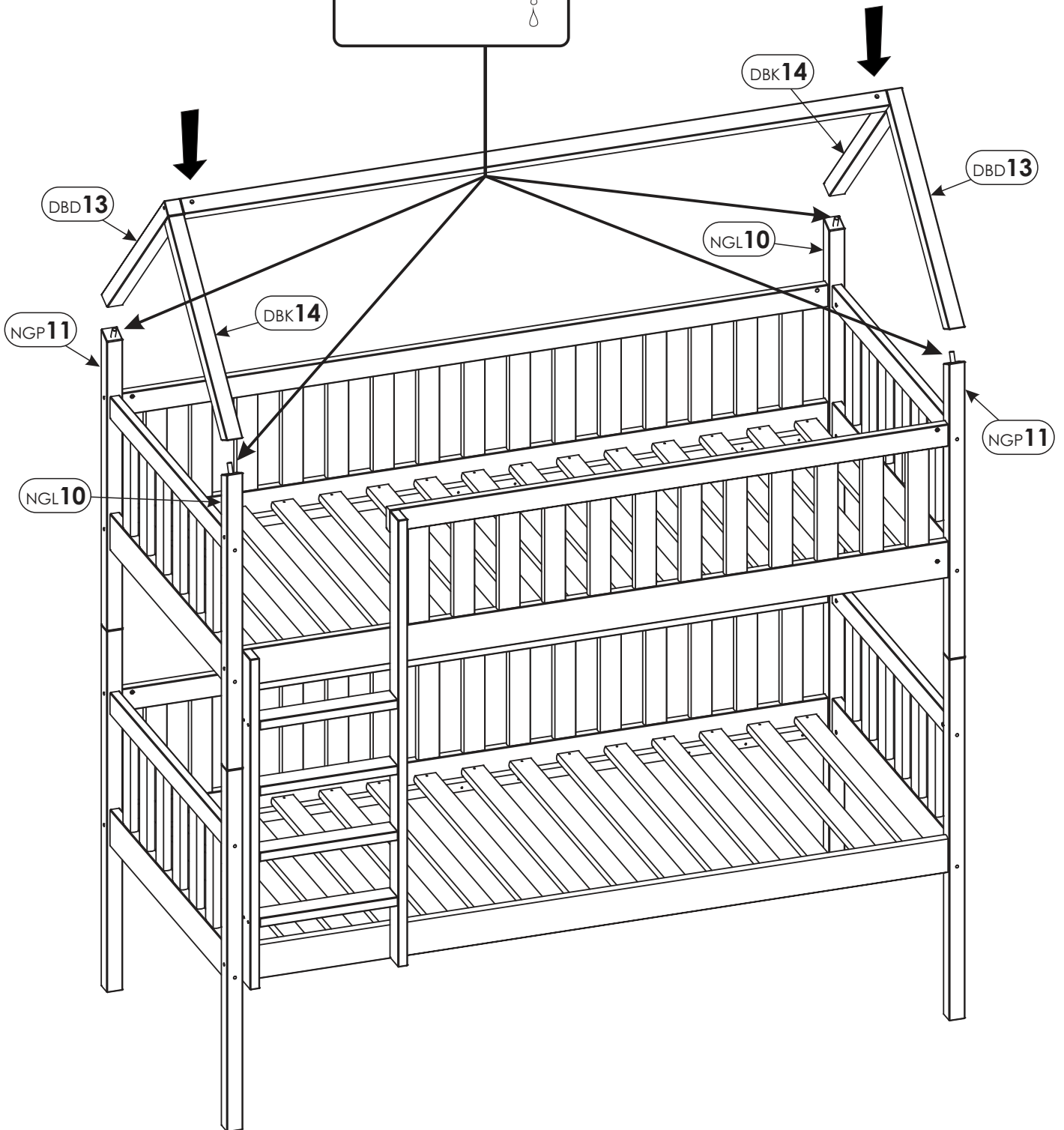
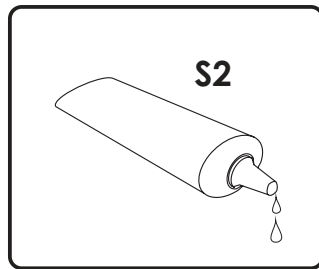
42.



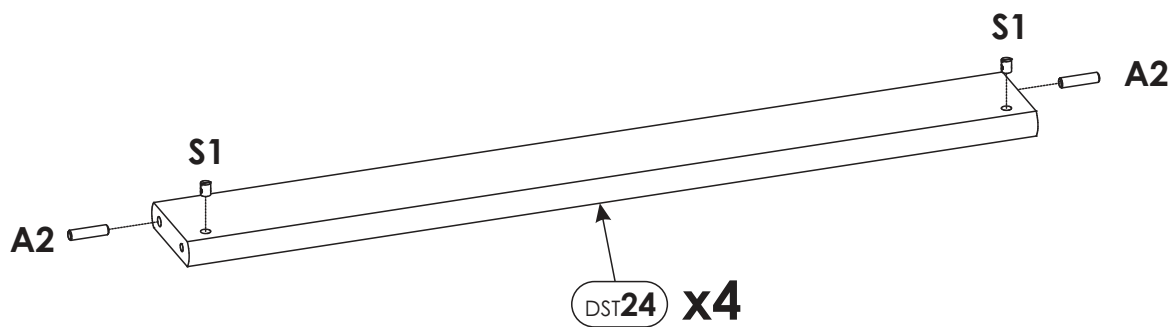
43.



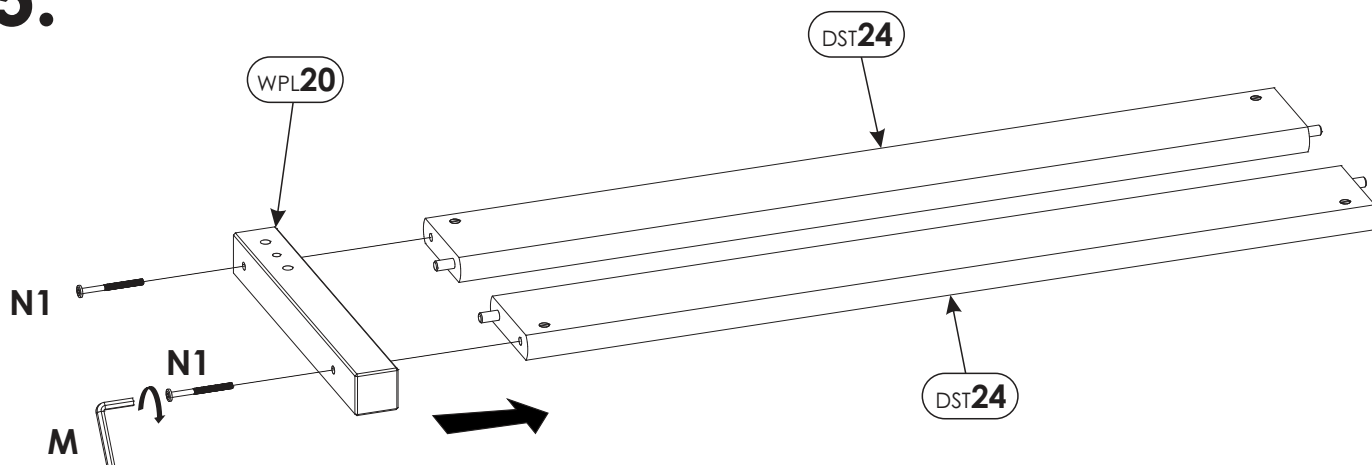
L



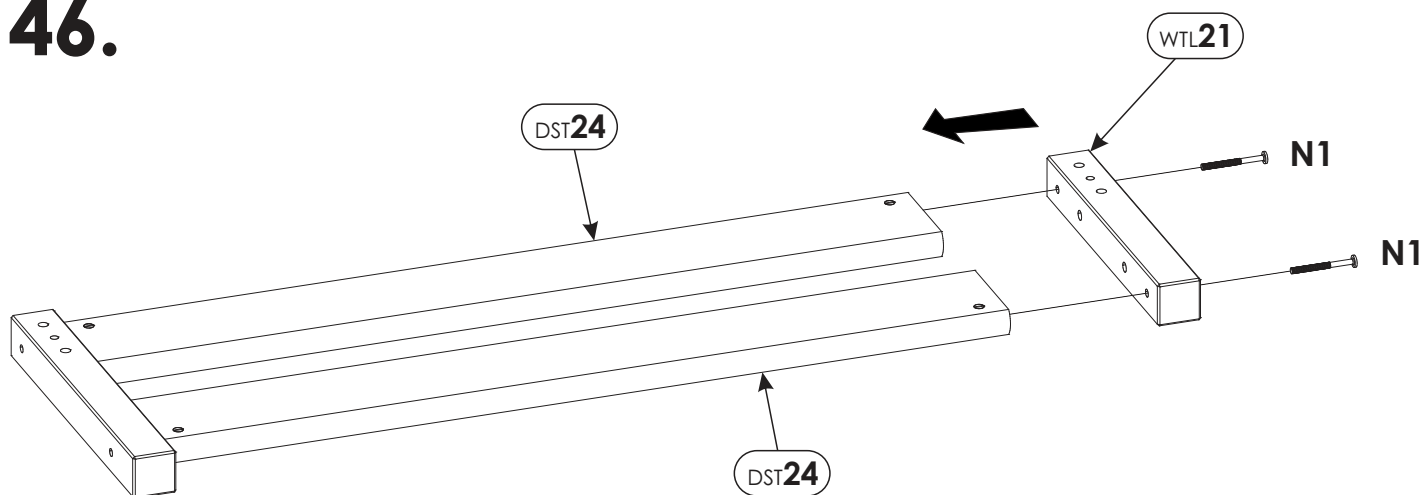
44.



45.

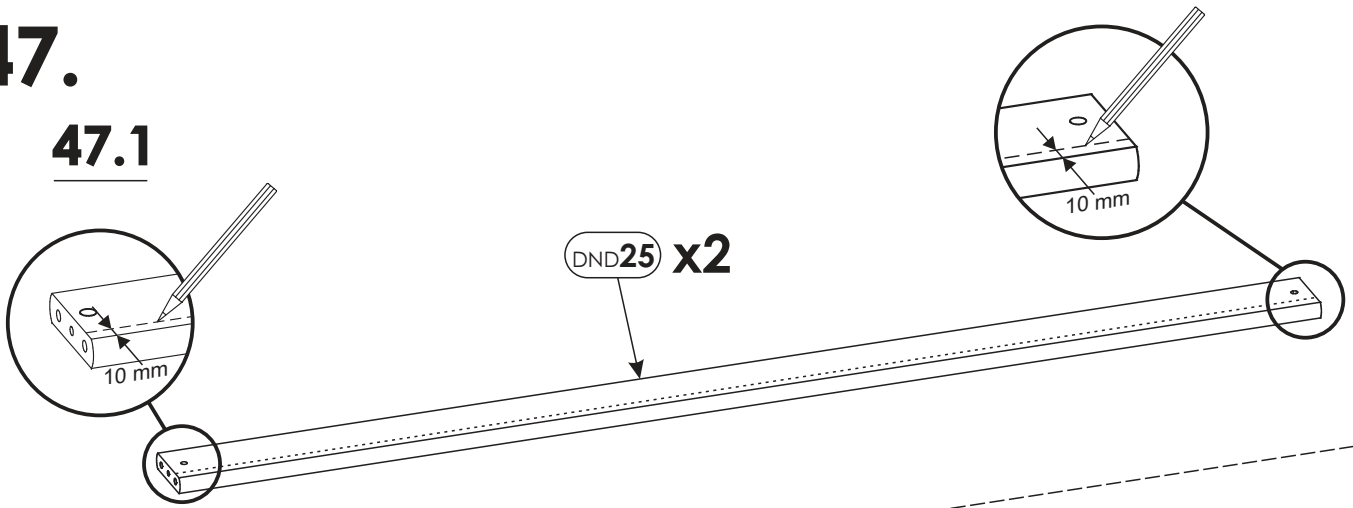


46.

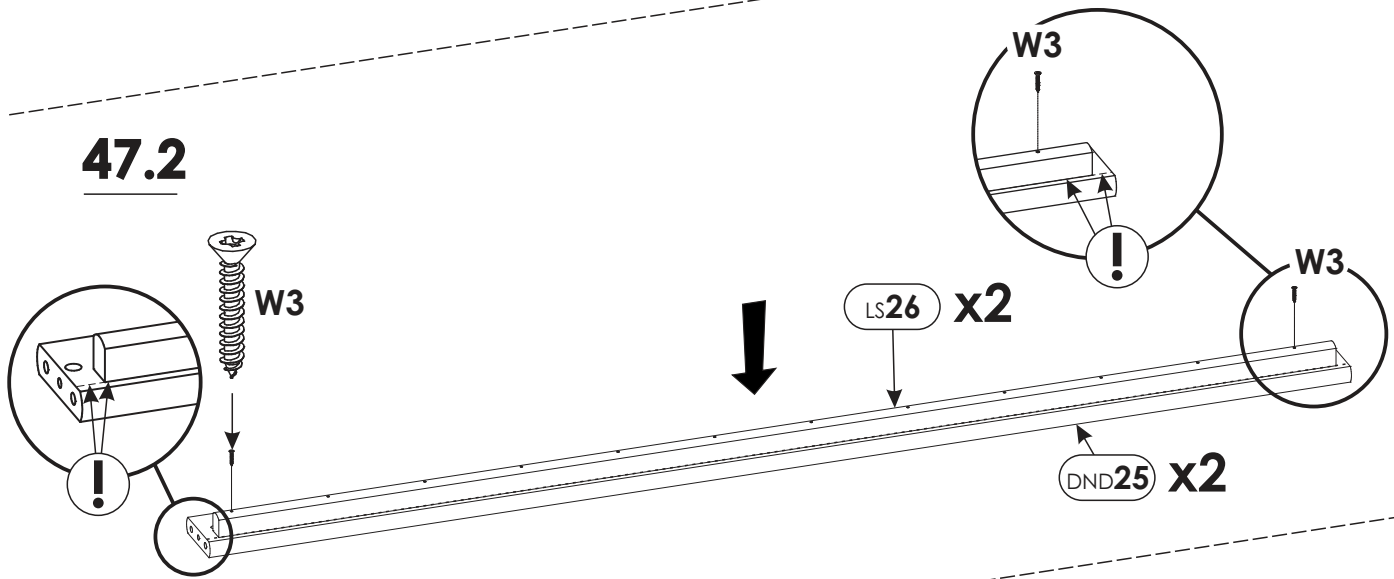


47.

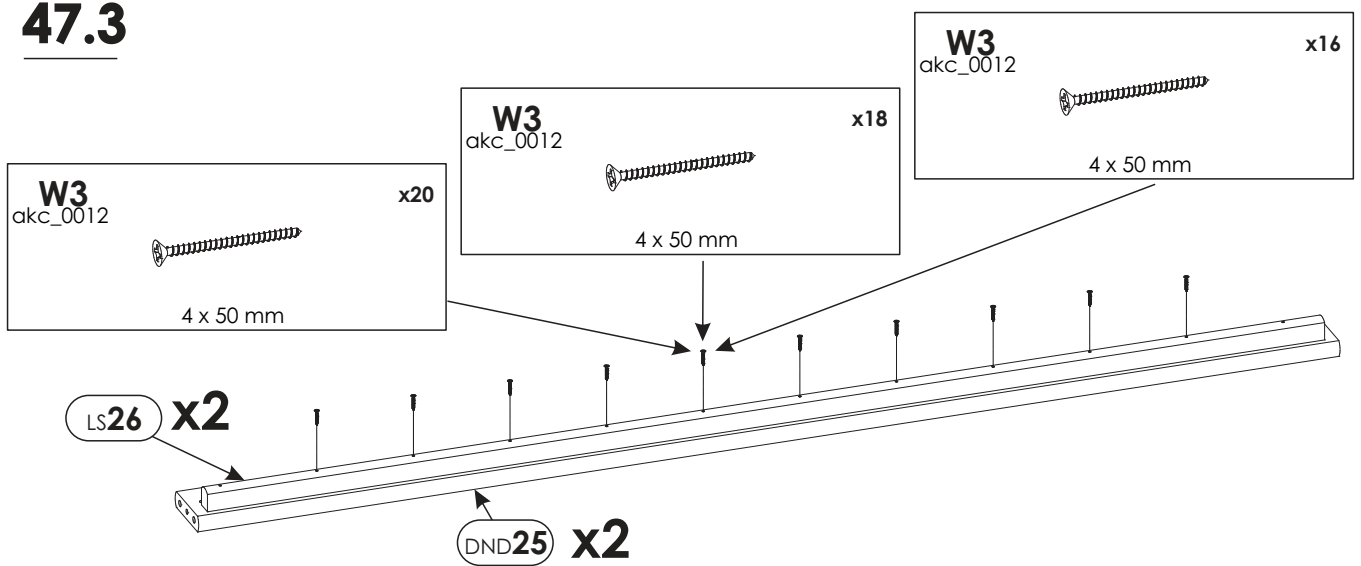
47.1



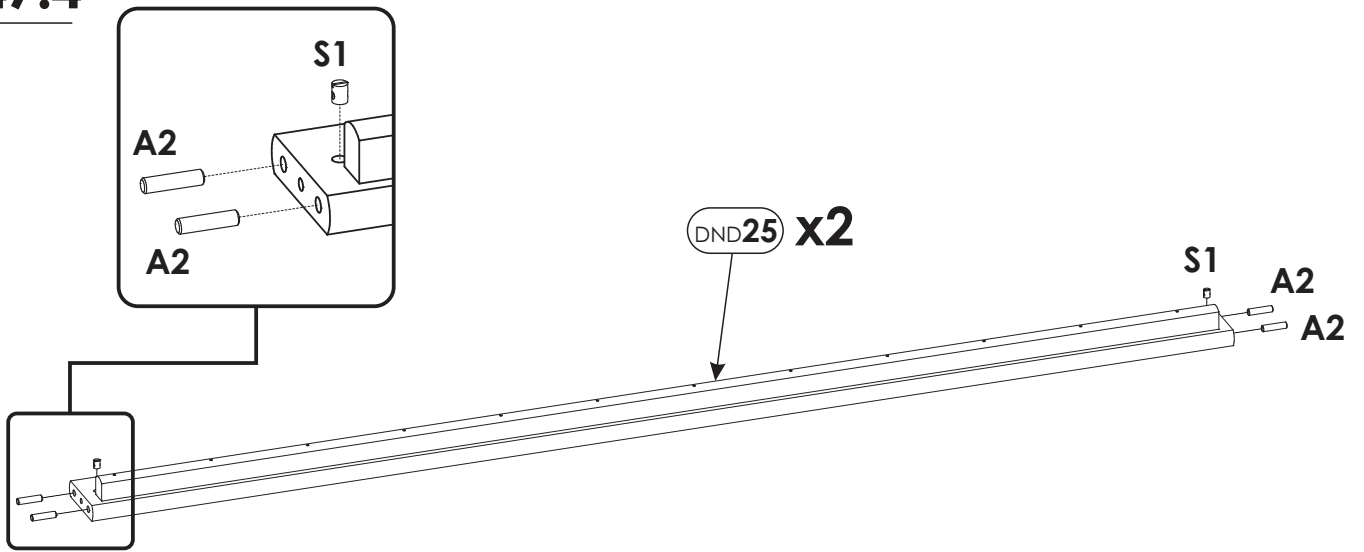
47.2



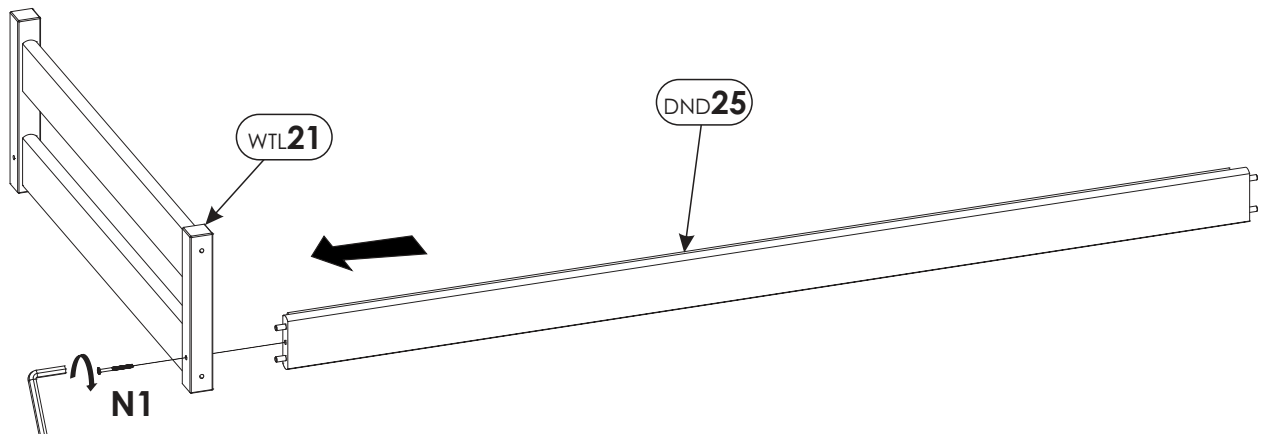
47.3



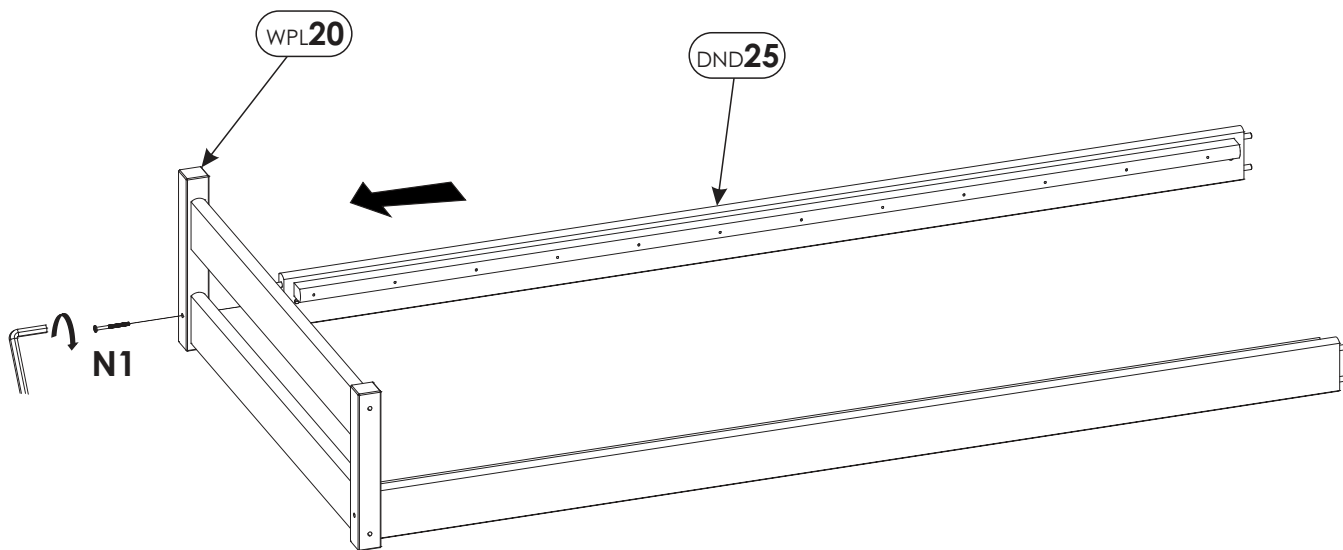
47.4



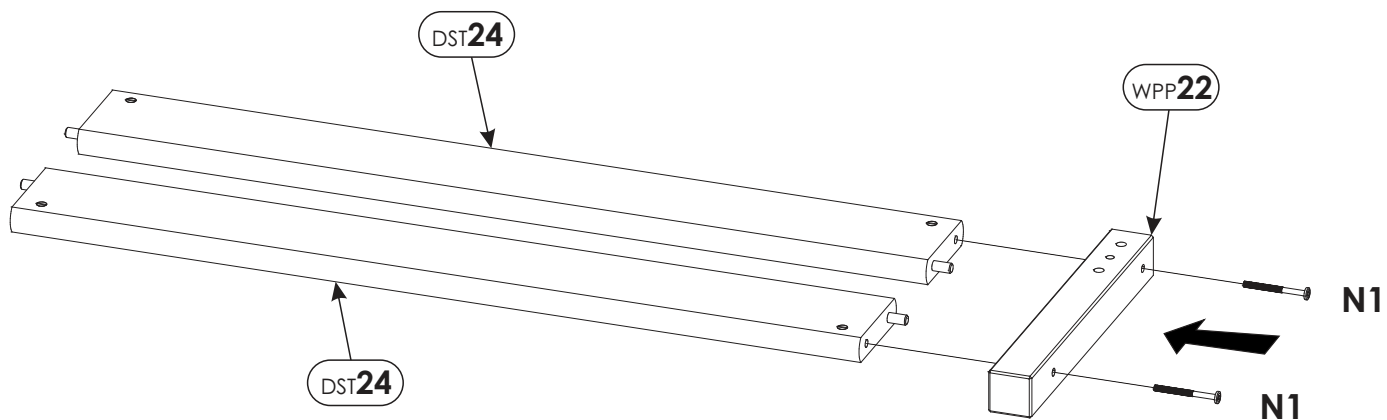
48.



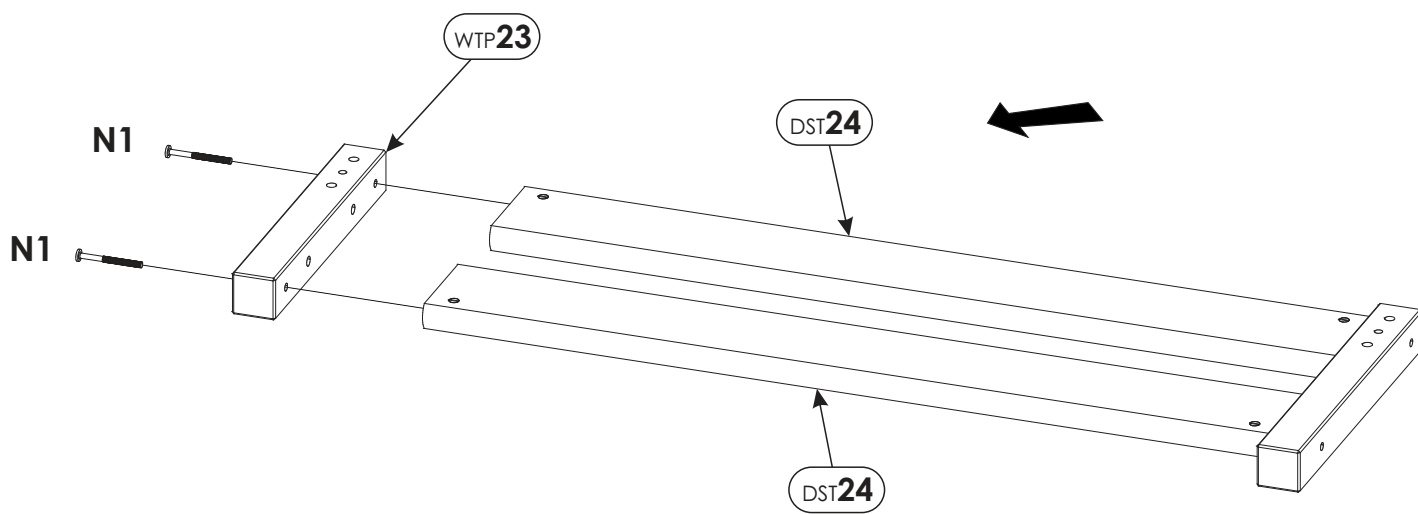
49.



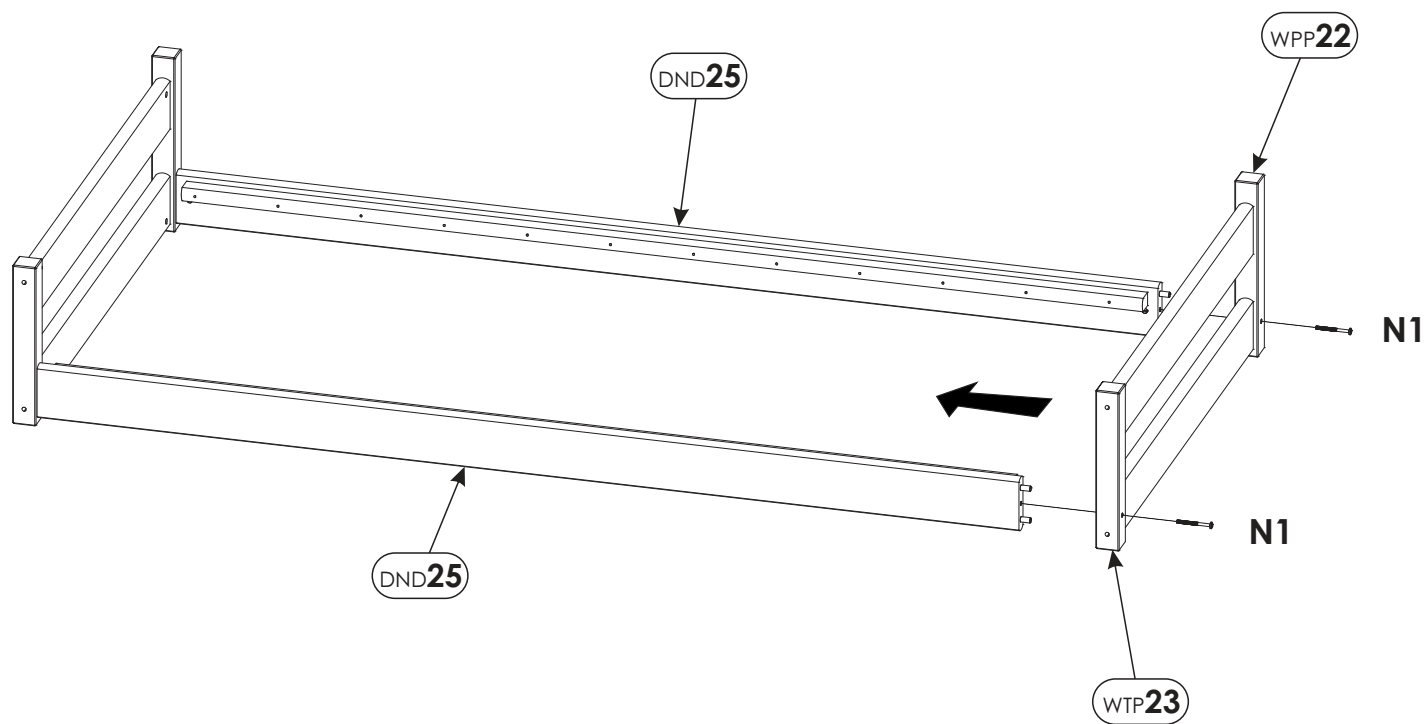
50.



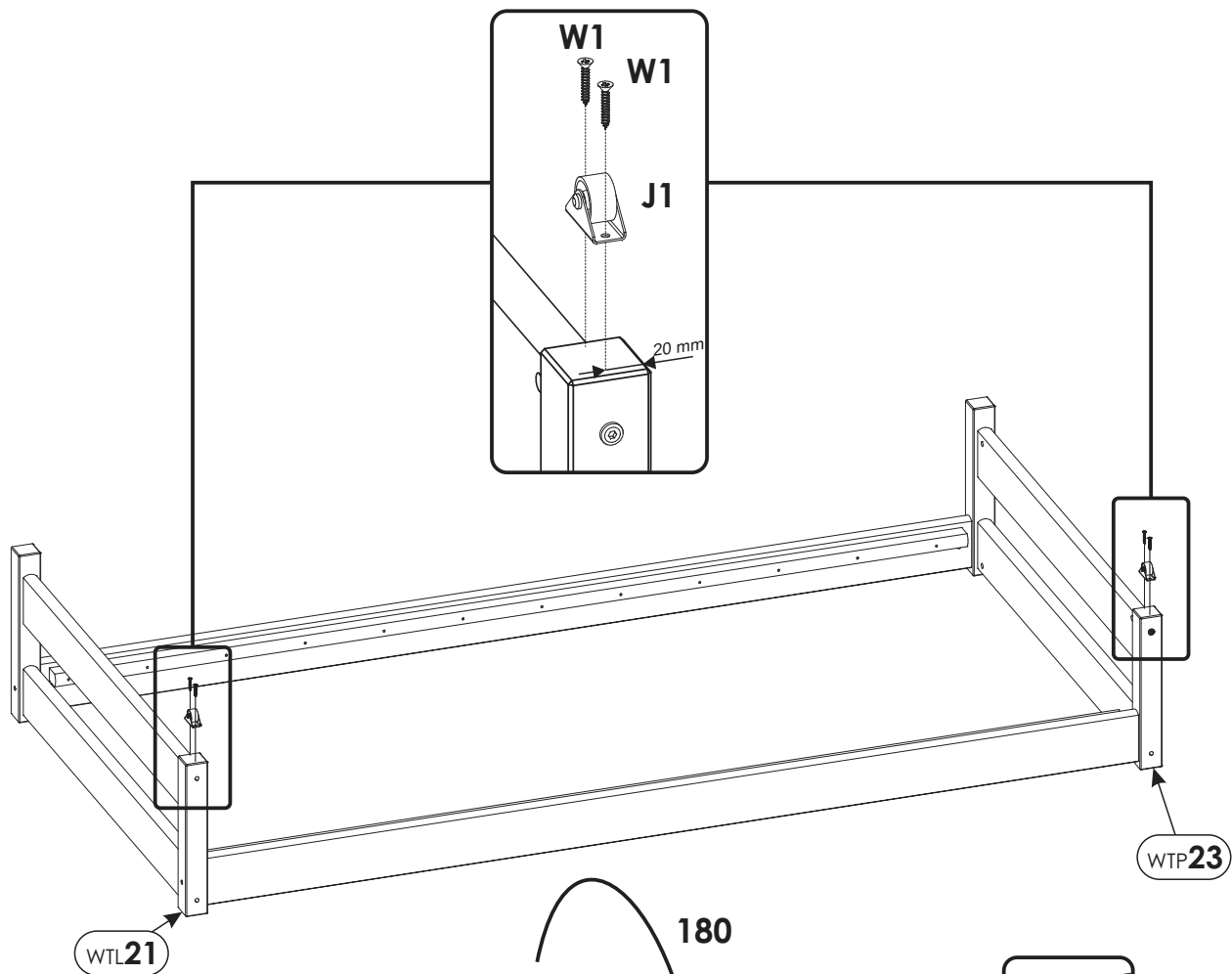
51.



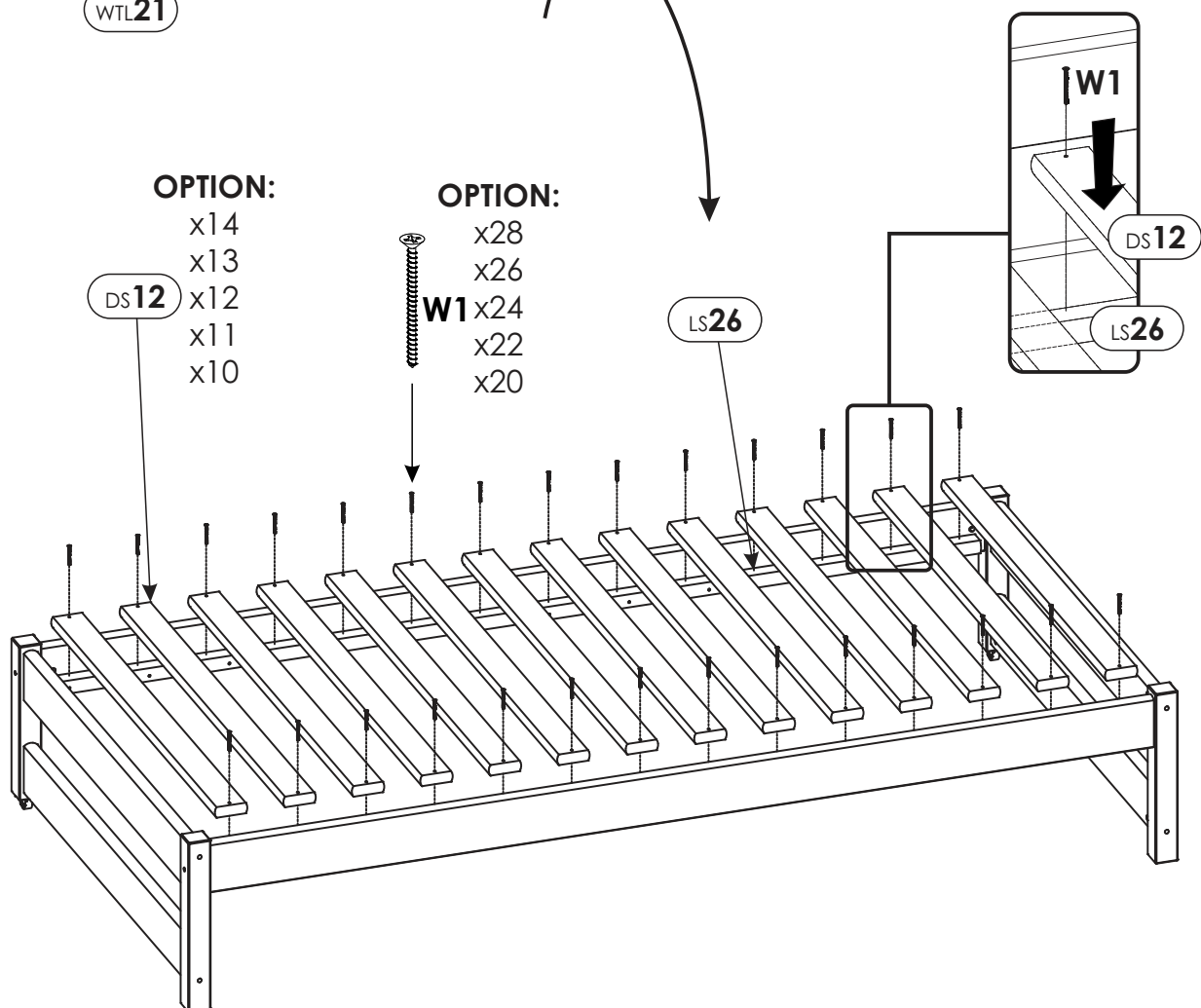
52.



53.

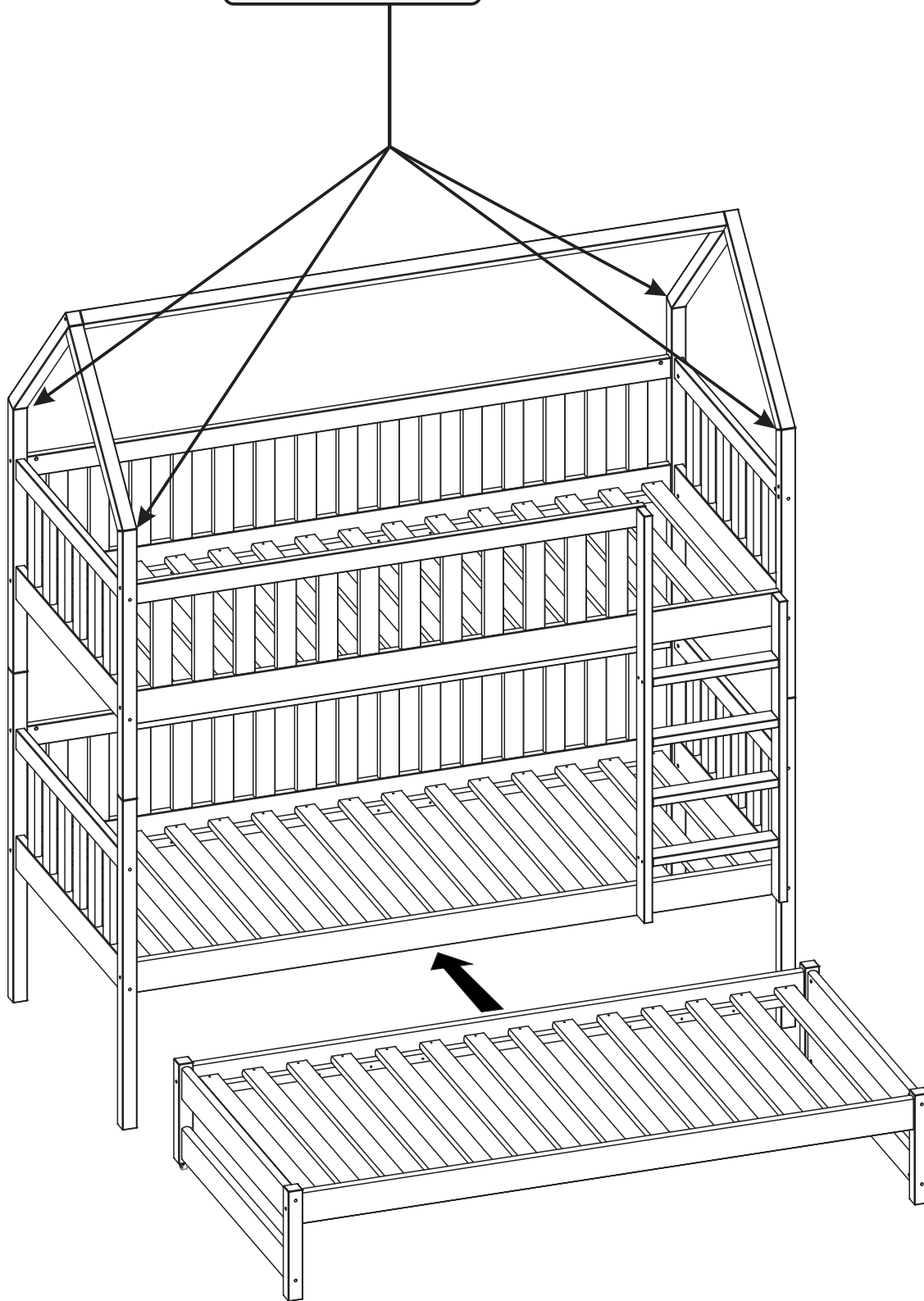
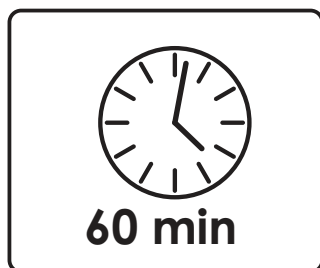
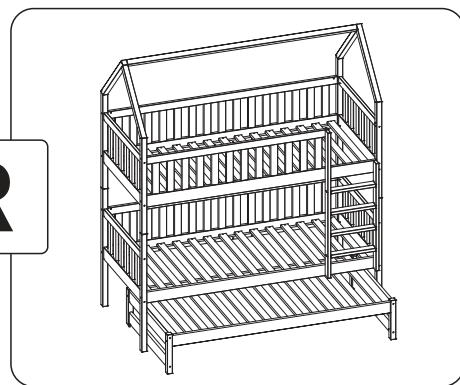


54.



55.

R



56.

