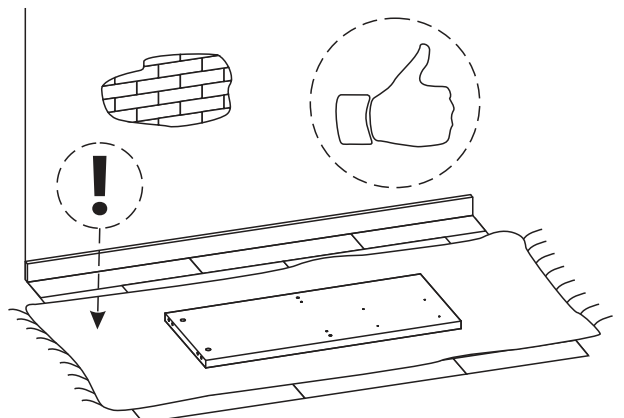
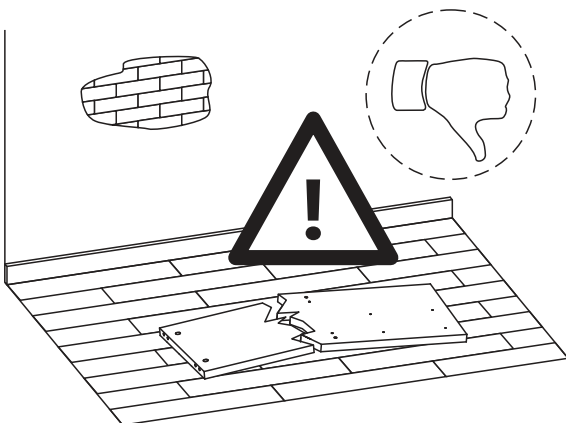
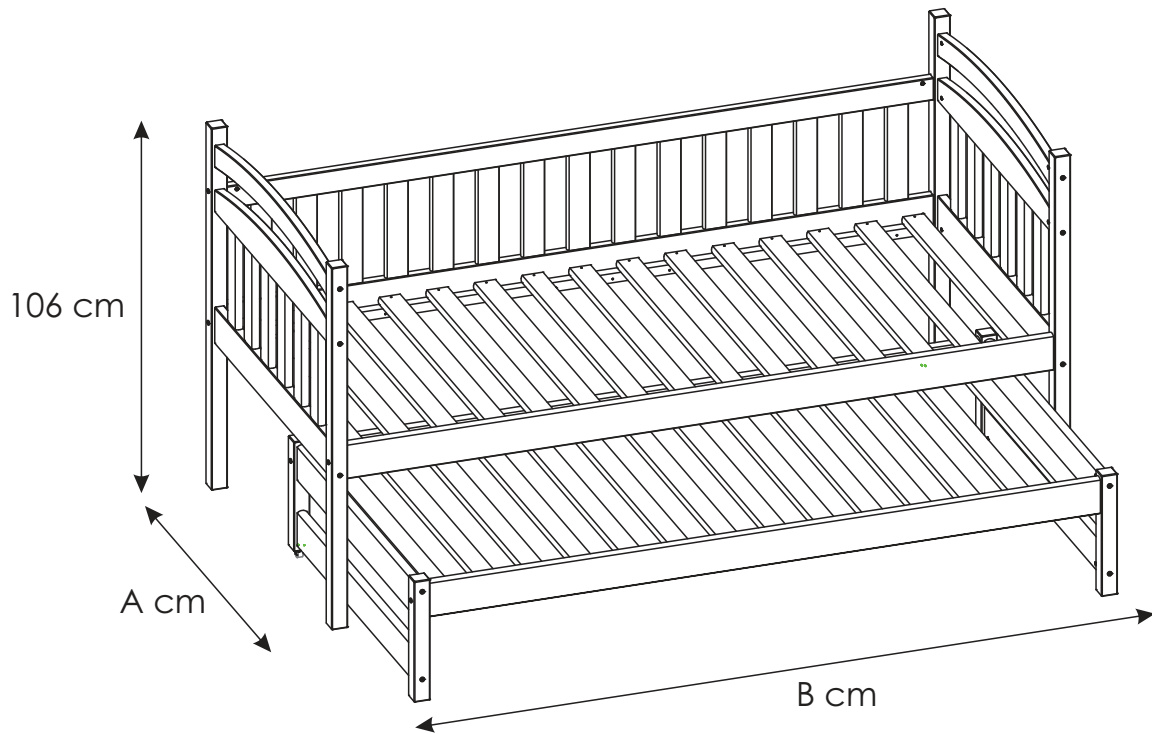
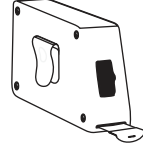
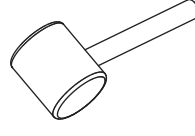
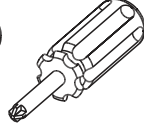
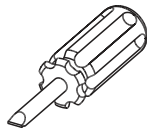
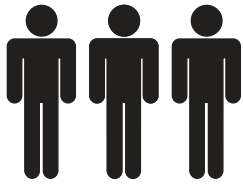
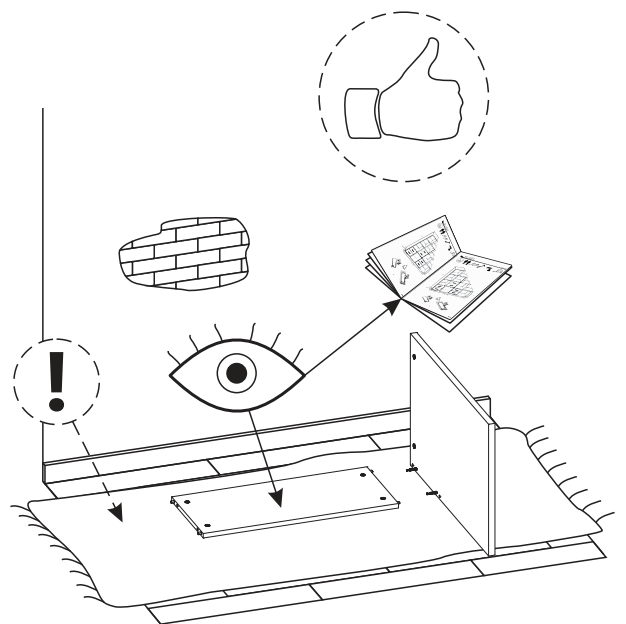
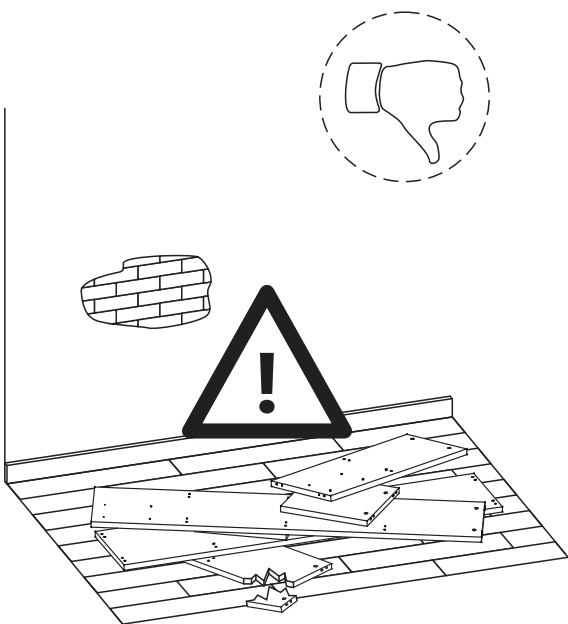
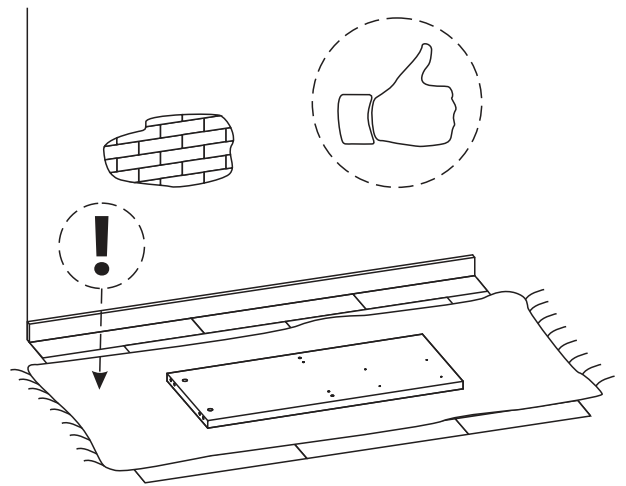
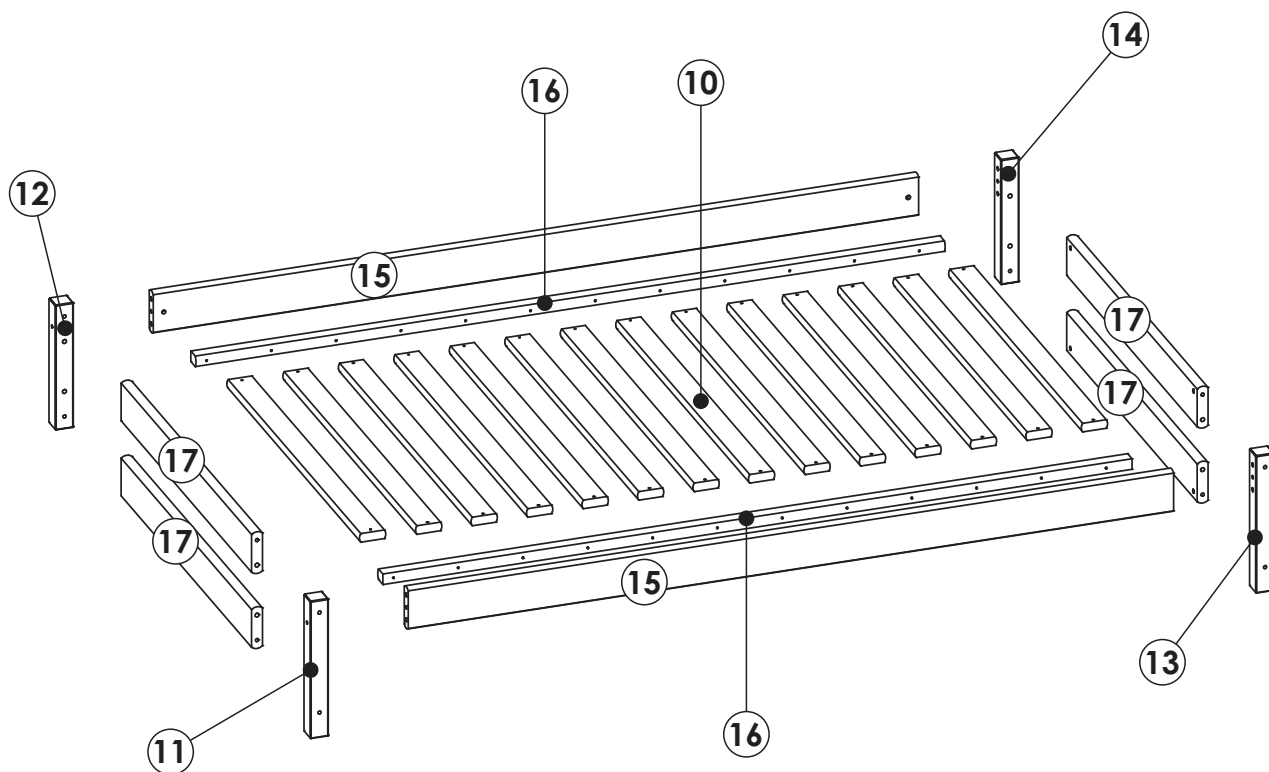
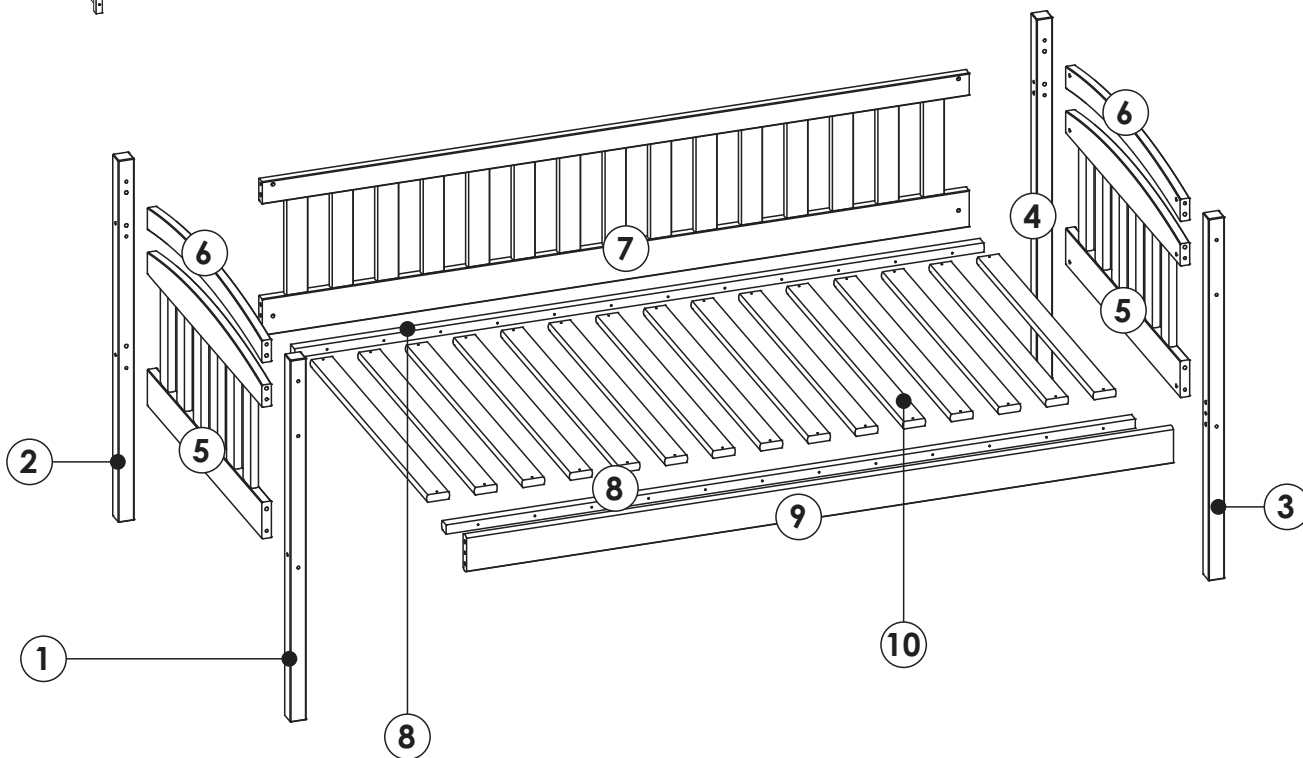
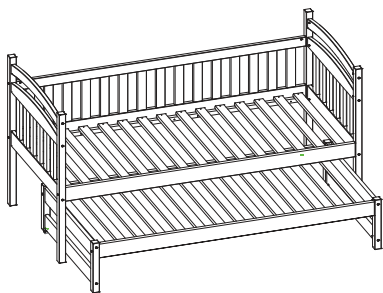


# DAMIAN





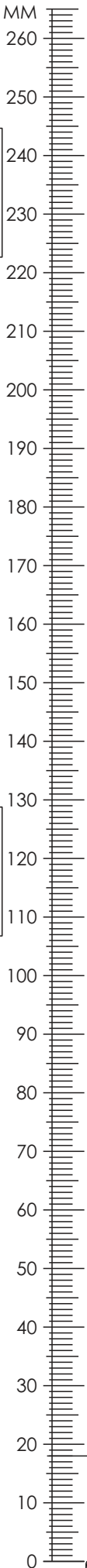
# DAMIAN

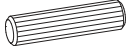
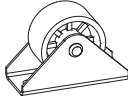





# DAMIAN


DMPL <b>1</b>	1056	45	45	x1	DMNPL_02510
DMTL <b>2</b>	1056	45	45	x1	DMNTL_02530
DMPP <b>3</b>	1056	45	45	x1	DMNPP_02520
DMTP <b>4</b>	1056	45	45	x1	DMNTP_02540
PBB <b>5</b>	585, 685, 785, 885, 985	491	27	x2	PS_00470 DP_00480 DB_00610
DB <b>6</b>	585, 685, 785, 885, 985	107	27	x2	DB_00600
PTP <b>7</b>	1190, 1390, 1590, 1690, 1790, 1890, 1990	449	27	x1	PS_00470 DPDC_00670 DPDC_00680
LS <b>8</b>	1140, 1340, 1540, 1640, 1740, 1840, 1940	35	27	x2	LS_00160
DN <b>9</b>	1190, 1390, 1590, 1690, 1790, 1890, 1990	107	27	x1	DN_00110
WPL <b>11</b>	352	45	45	x1	NWPL_01060
WTL <b>12</b>	320	45	45	x1	NWTL_01080
WPP <b>13</b>	352	45	45	x1	NWPP_01070
WTP <b>14</b>	320	45	45	x1	NWTP_01090
DND <b>15</b>	1090, 1290, 1490, 1590, 1690, 1790, 1890	107	27	x2	DN_00110
LS <b>16</b>	1050, 1250, 1450, 1550, 1650, 1750, 1850	35	27	x2	LS_00160
DST <b>17</b>	585, 685, 785, 885, 985	107	27	x4	DST_00120


# DAMIAN



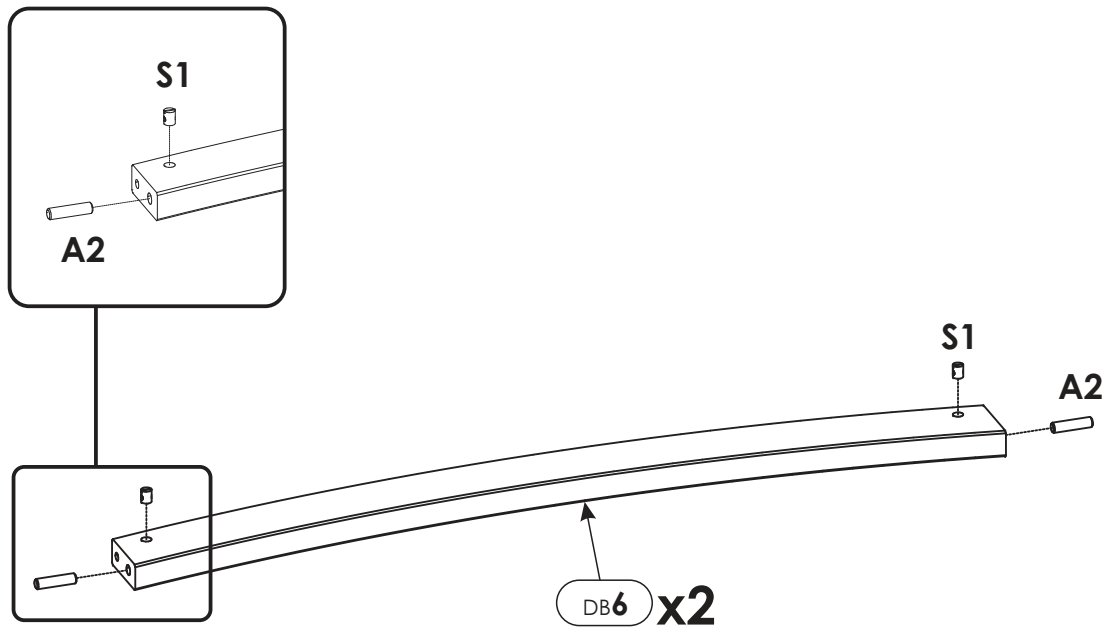
<p><b>A2</b> akc_0002</p>  <p>10 x 40 mm</p> <p style="text-align: right;"><b>x38</b></p>	<p><b>J1</b> akc_0016</p>  <p style="text-align: right;"><b>x2</b></p>	<p><b>M</b> akc_0005</p>  <p style="text-align: right;"><b>x1</b></p>
<p><b>N1</b> akc_0006</p>  <p>6 x 80 mm</p> <p style="text-align: right;"><b>x30</b></p>	<p><b>S1</b> akc_0008</p>  <p>10 x 16 mm</p> <p style="text-align: right;"><b>x30</b></p>	

----- **OPTION** -----

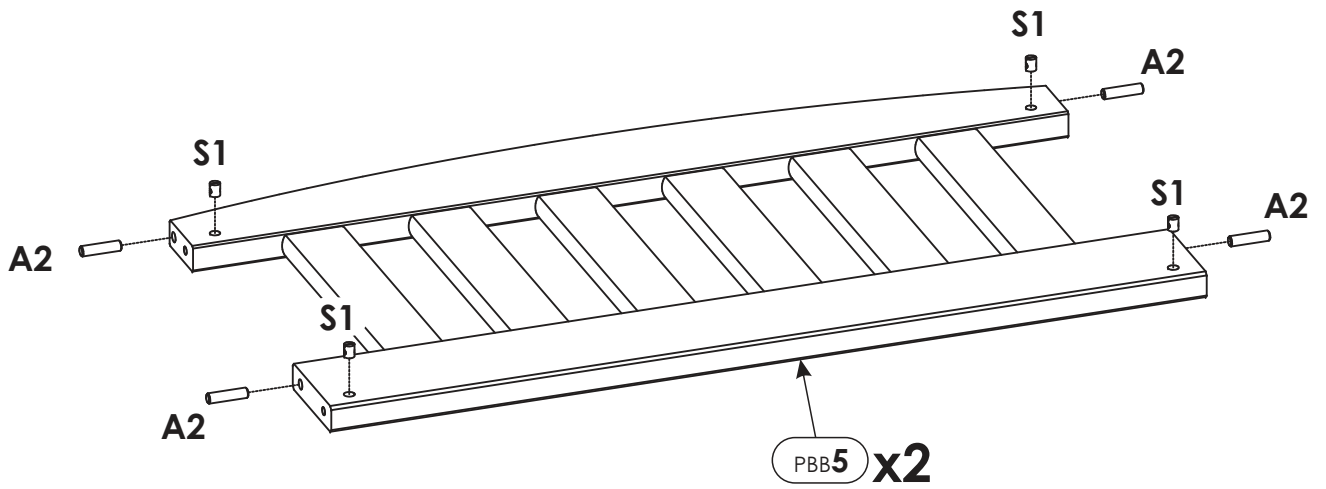
<p><b>W1</b> akc_0009</p>  <p>3,5 x 40 mm</p> <p style="text-align: right;"><b>38 &lt; x &lt; 62</b></p>
---

<p><b>W3</b> akc_0011</p>  <p>4 x 50 mm</p> <p style="text-align: right;"><b>40 &lt; x &lt; 48</b></p>
---

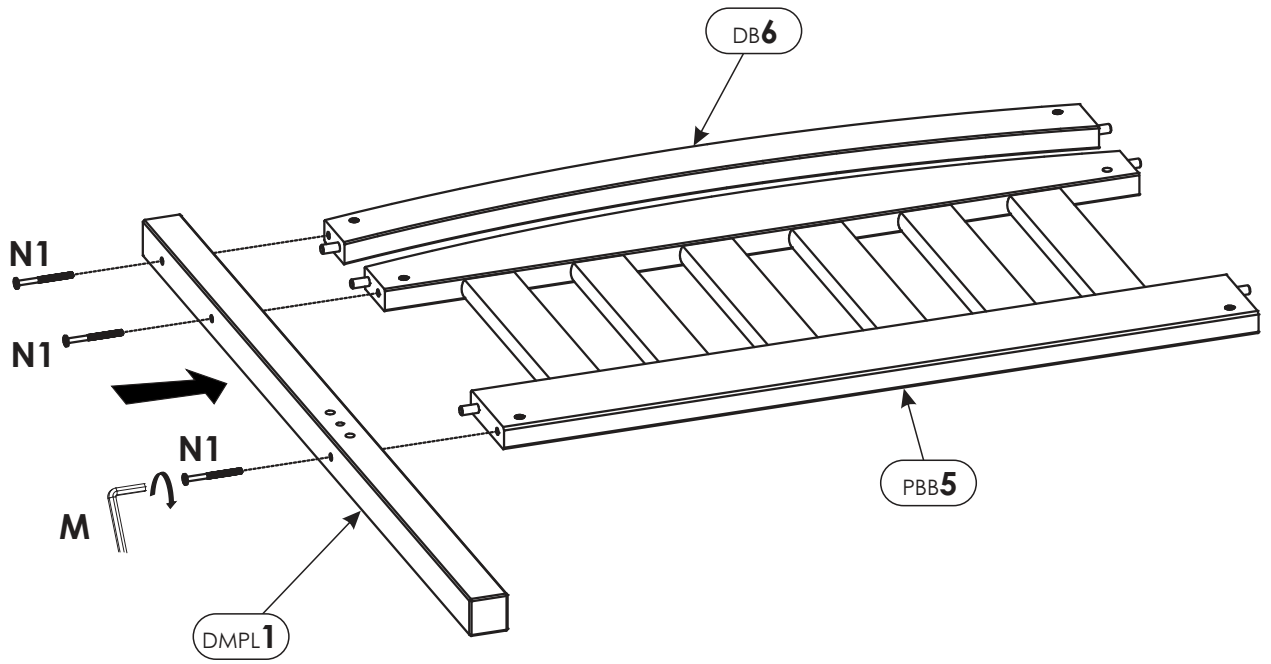
# 1.



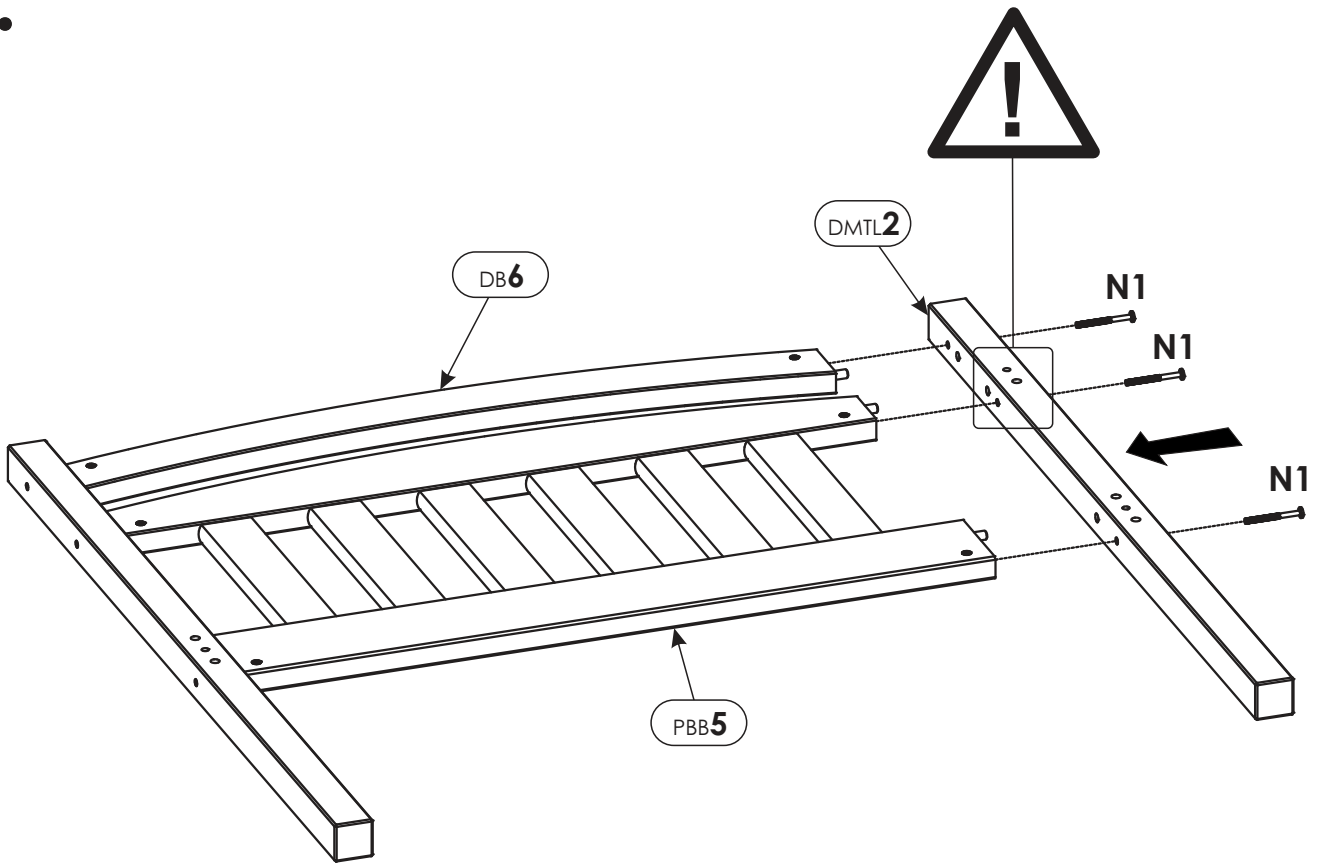
# 2.



3.

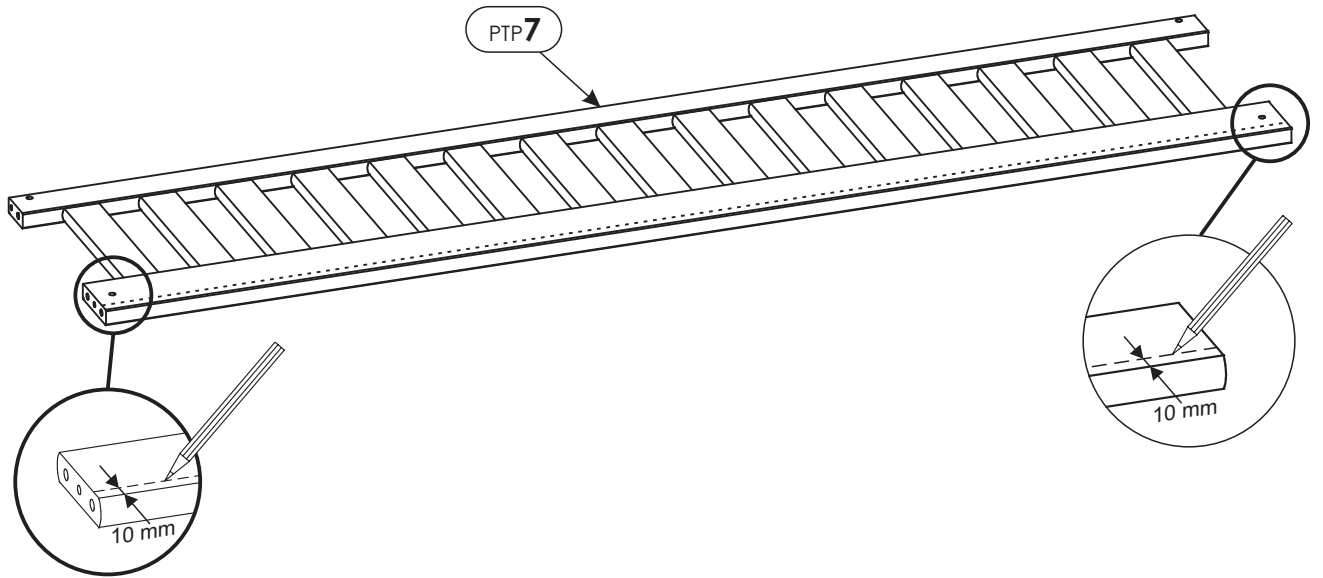


4.

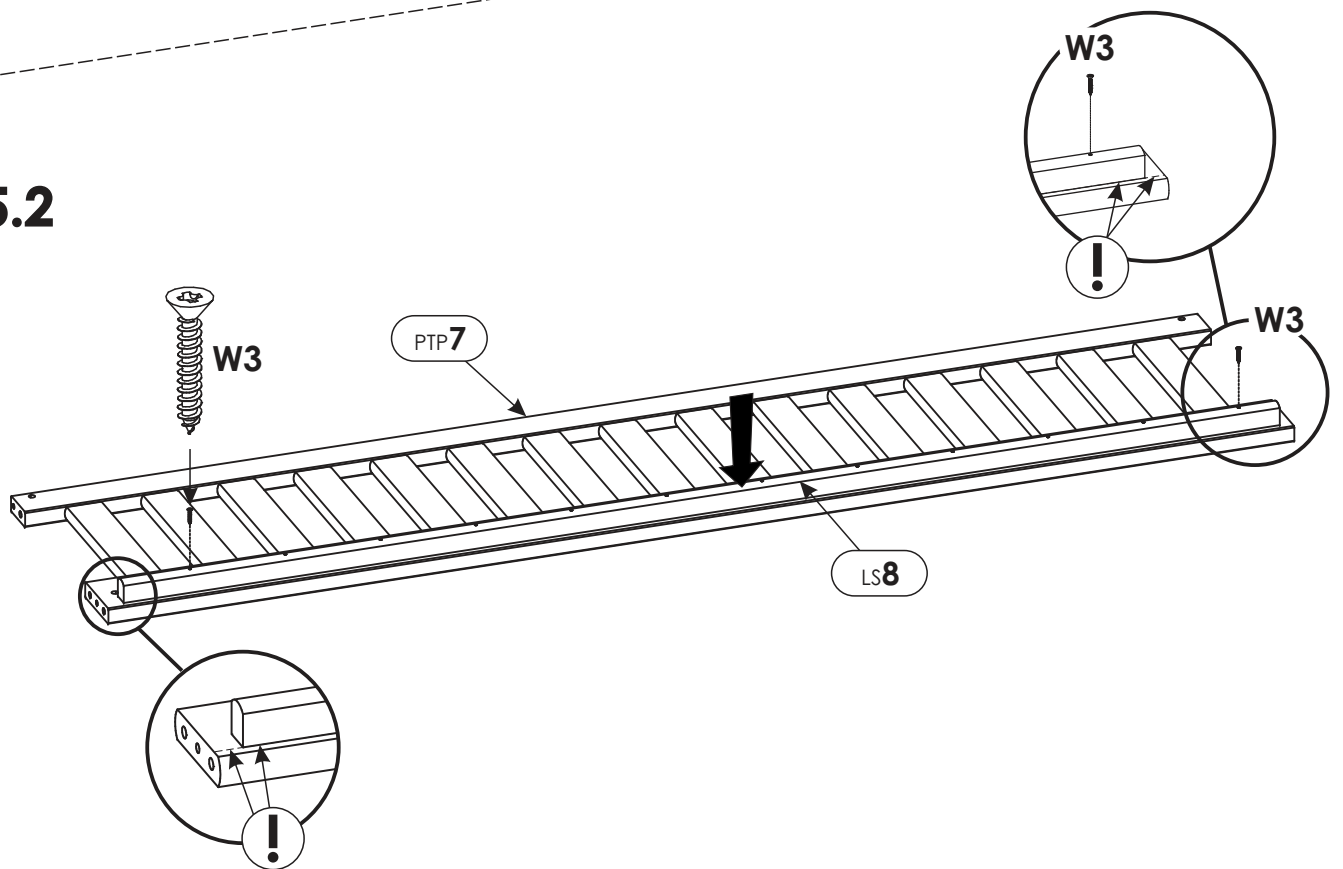


# 5.

## 5.1

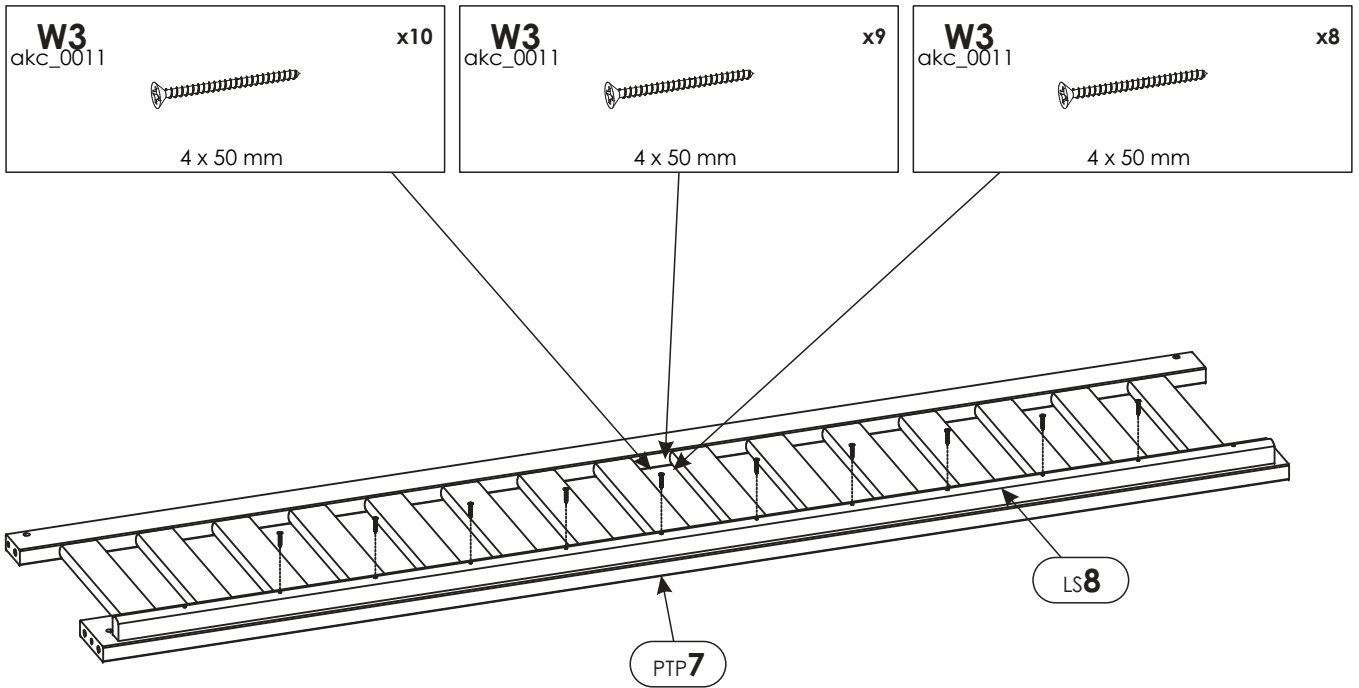


## 5.2

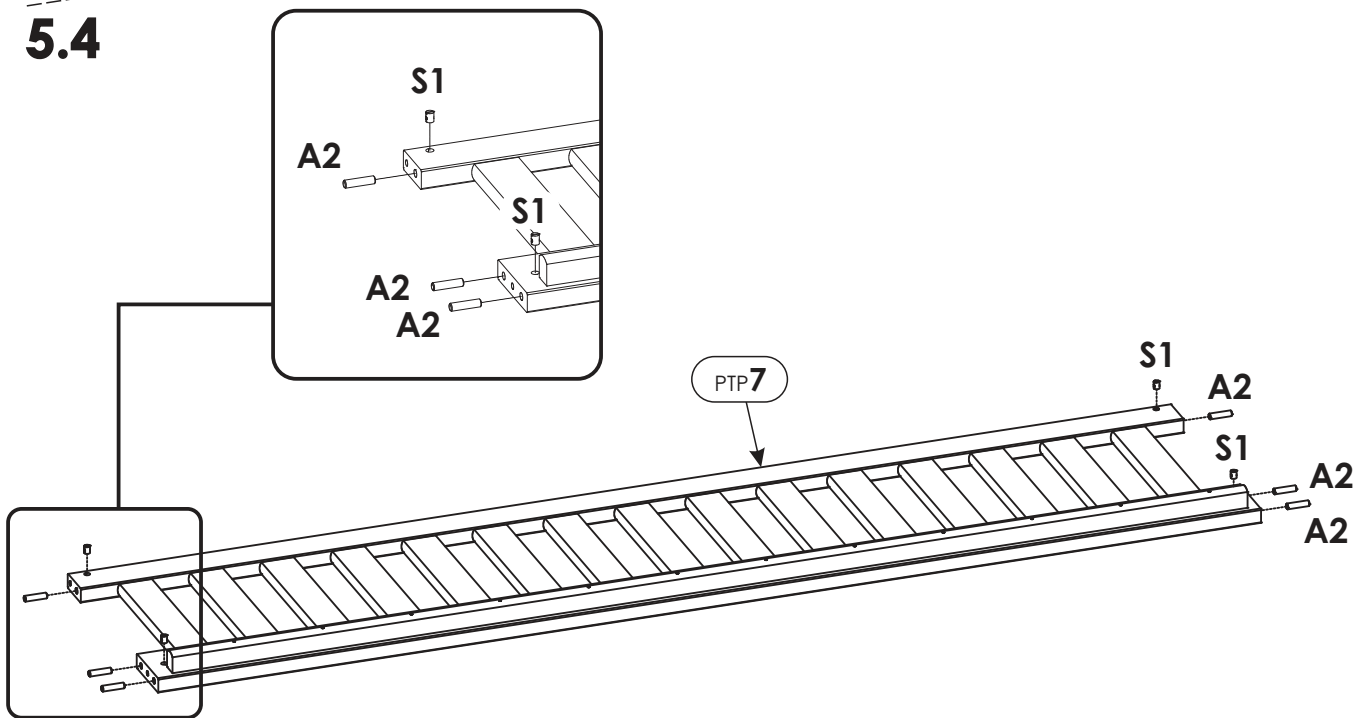




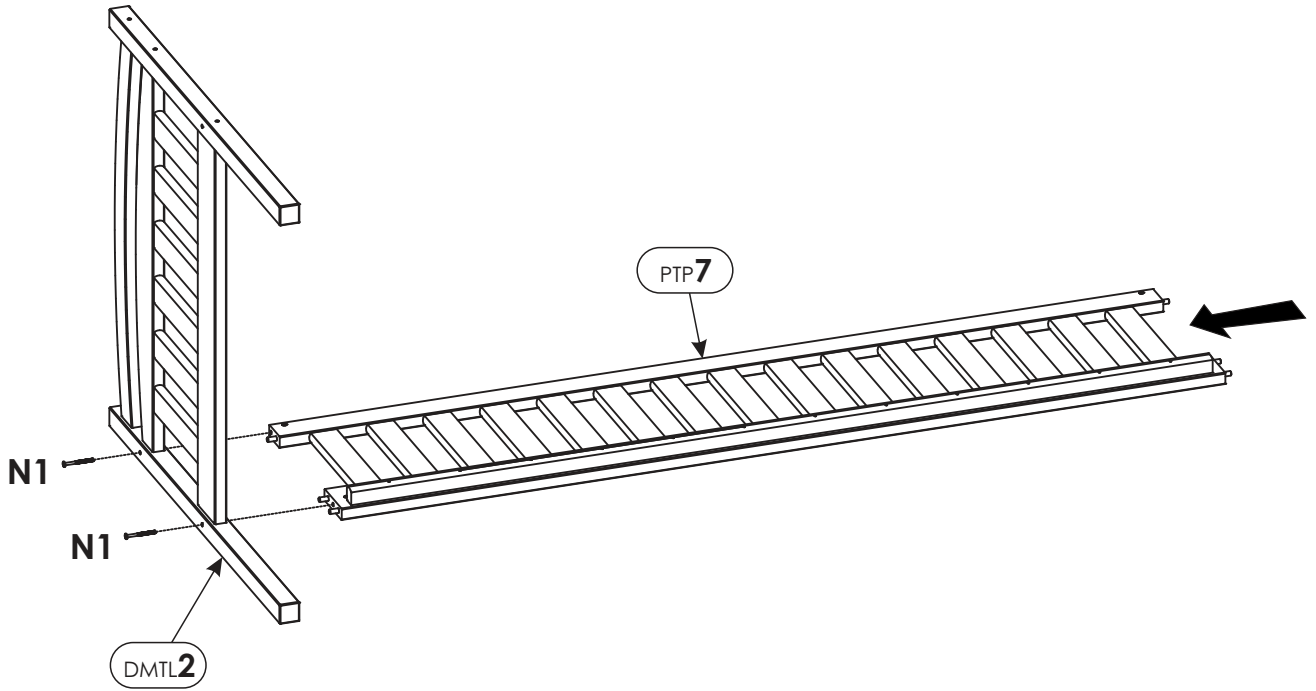

# 5.3



# 5.4

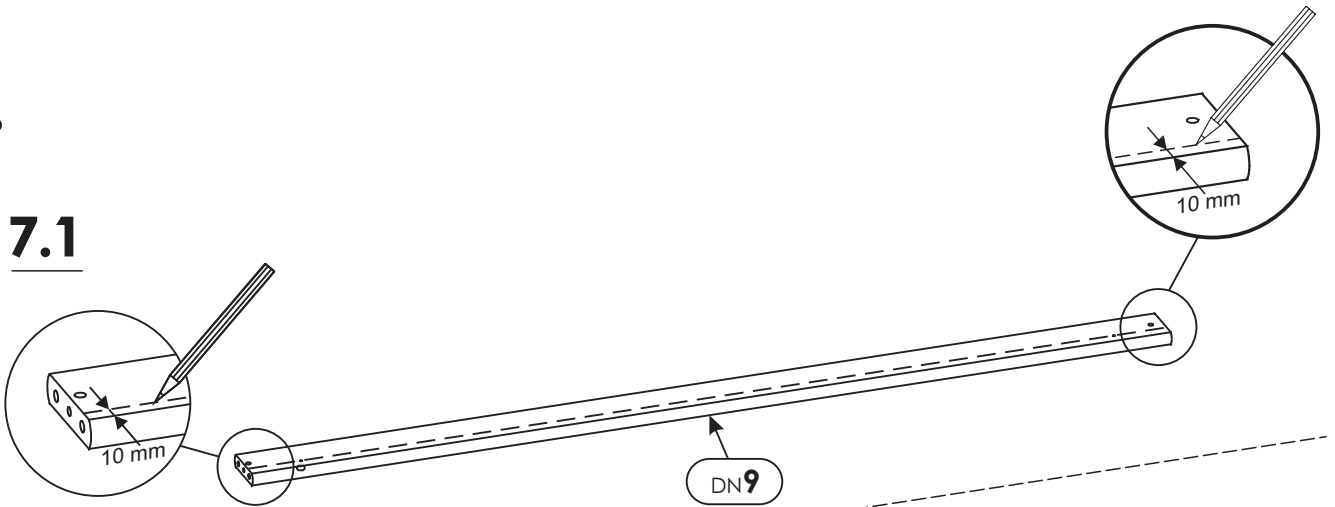


# 6.

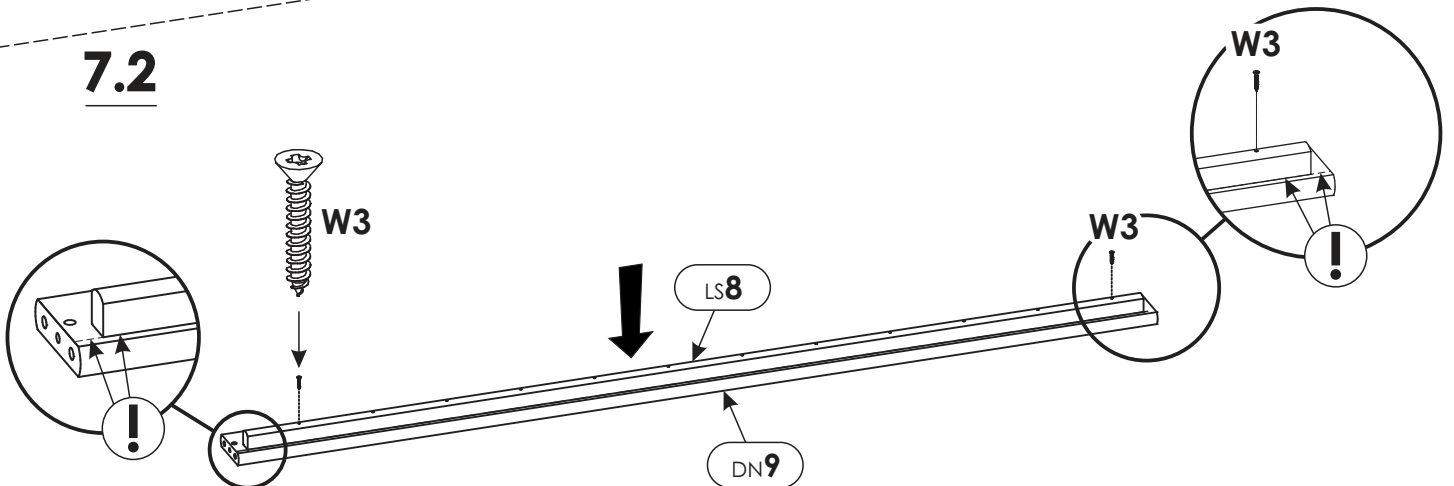


# 7.

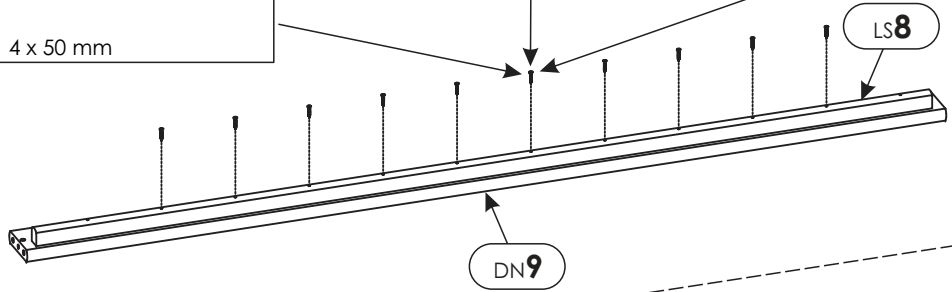
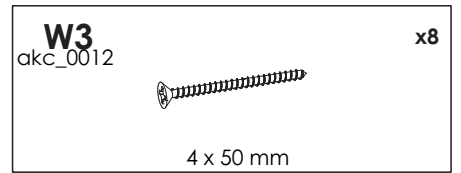
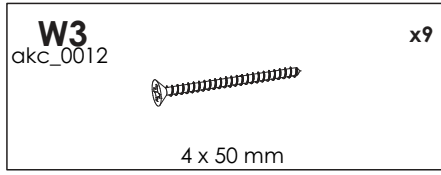
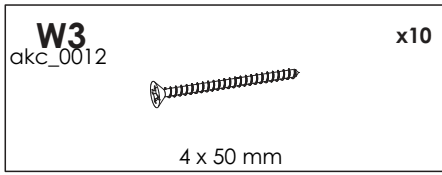
## 7.1



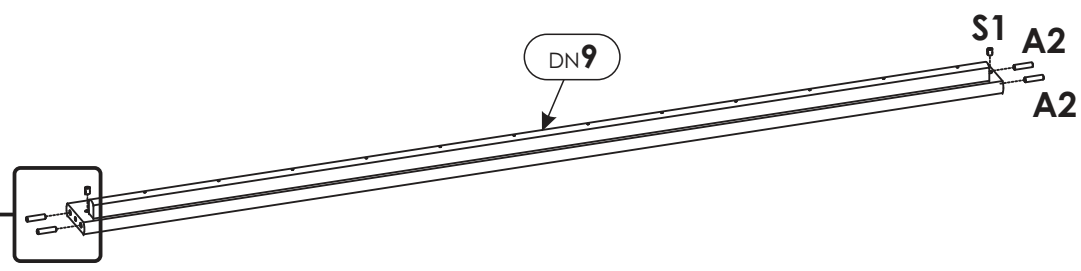
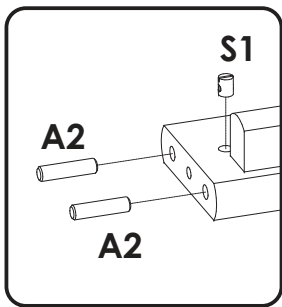
## 7.2



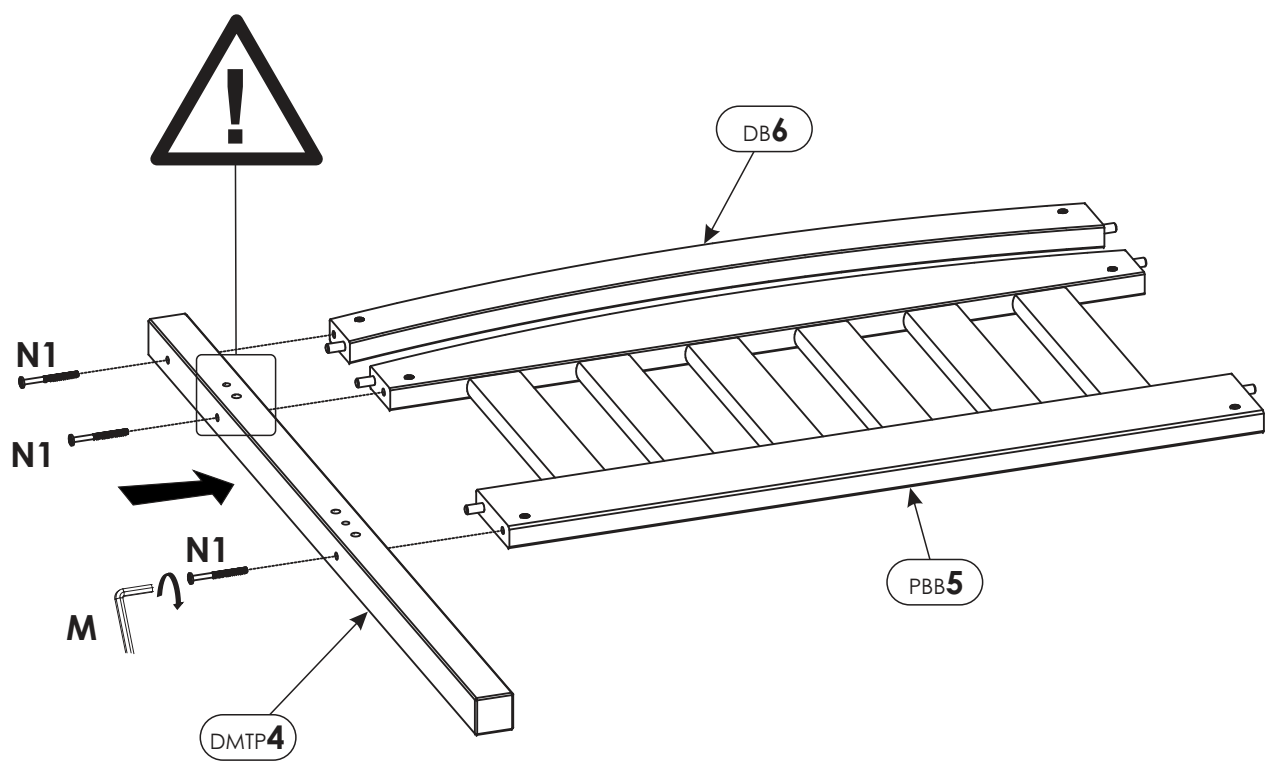
### 7.3



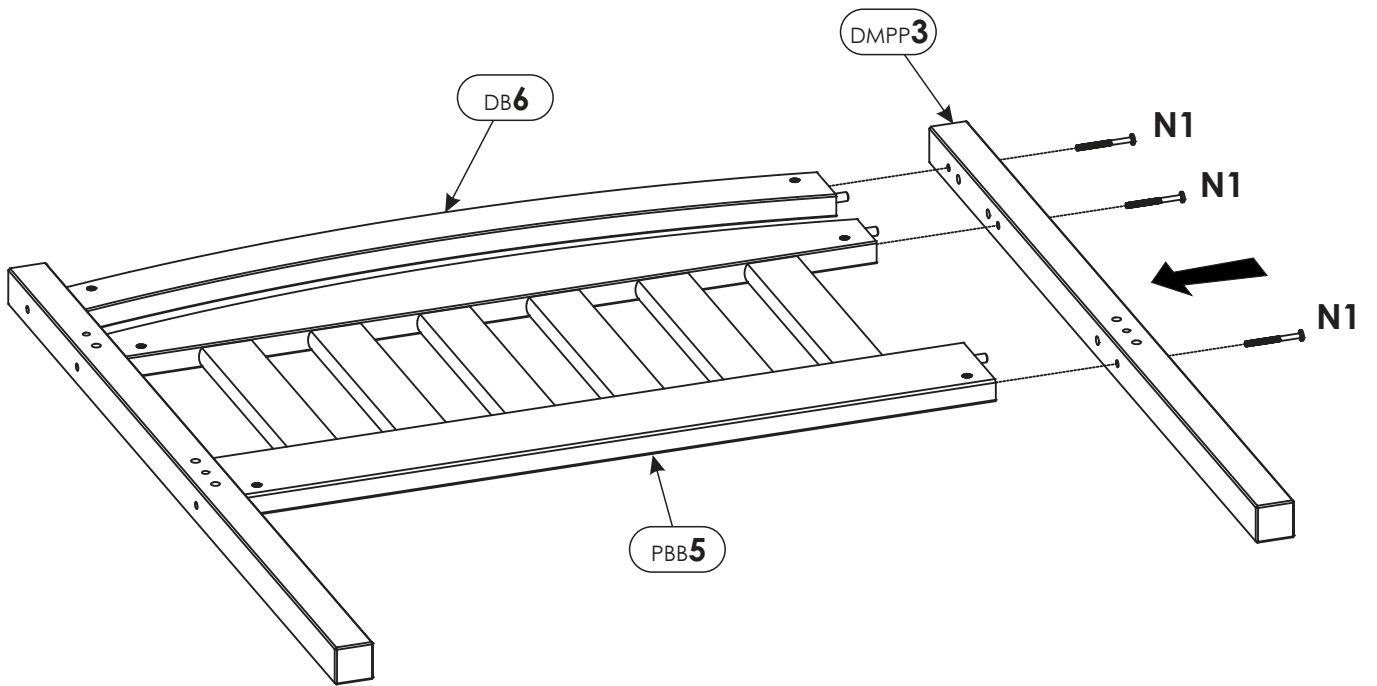
### 7.4



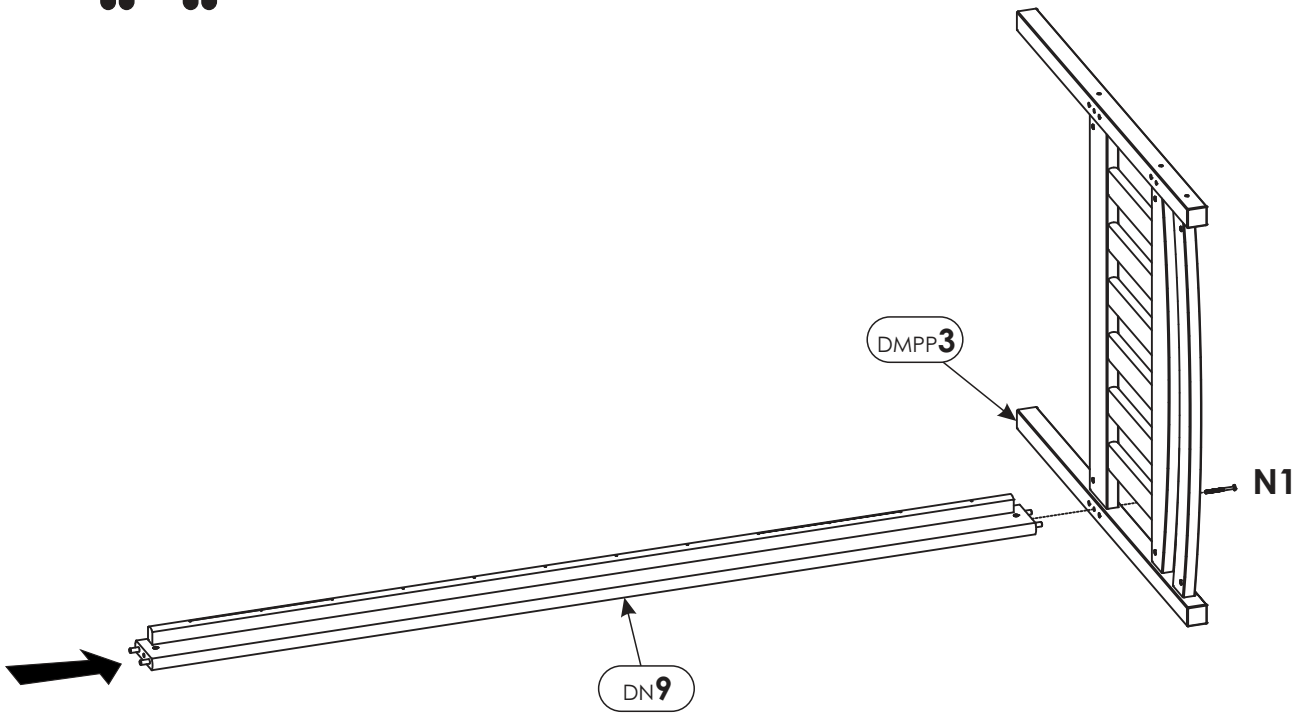
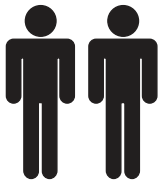
### 8.



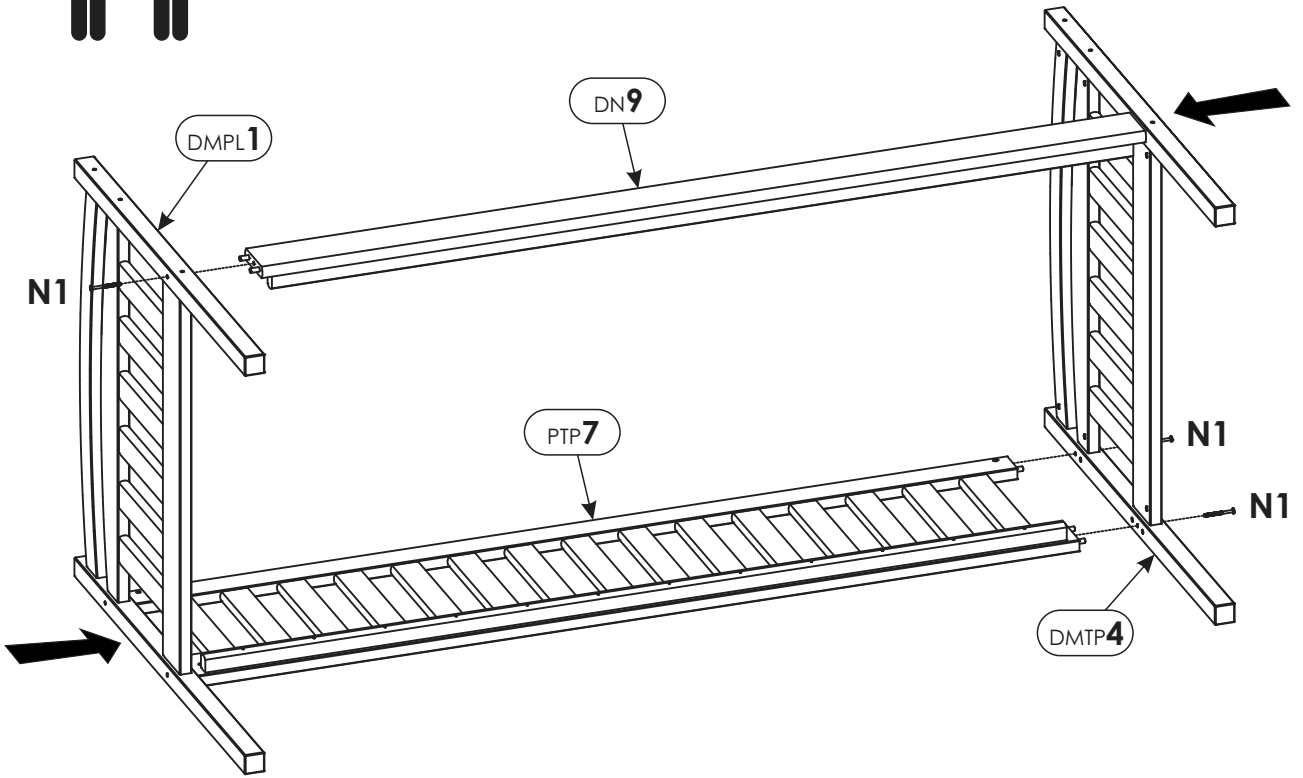
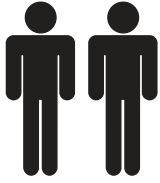
9.



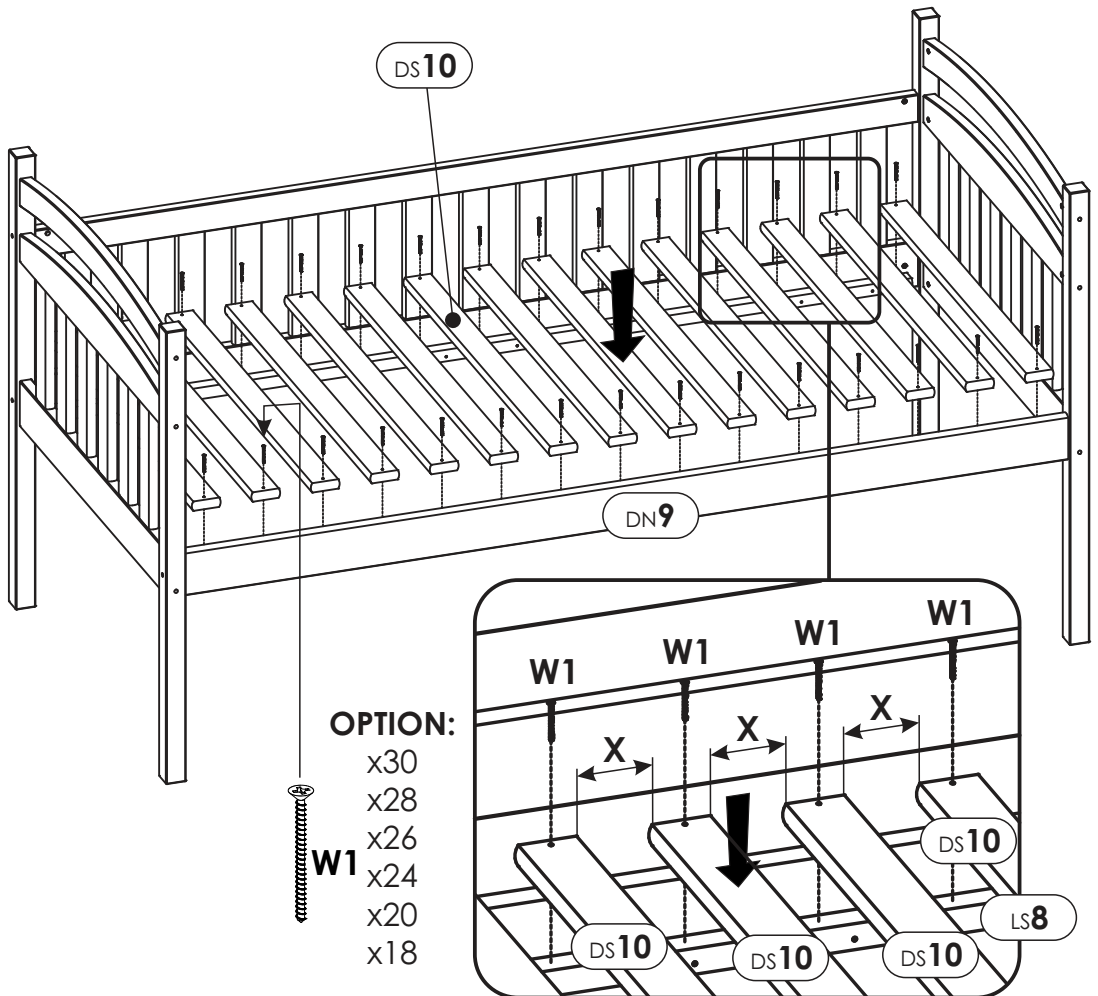
10.



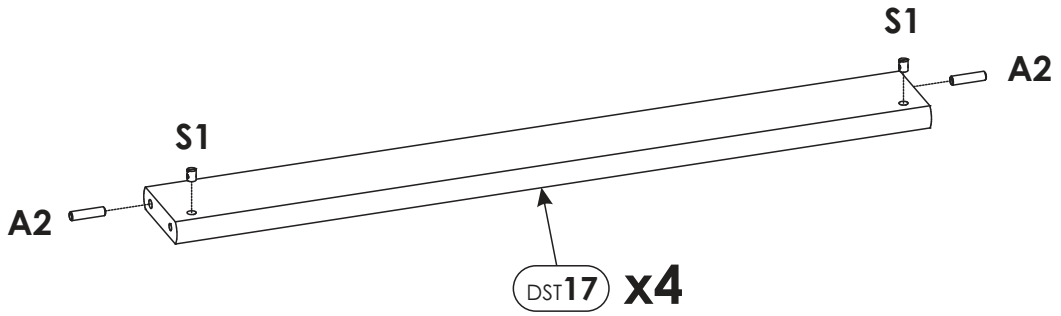
# 11.



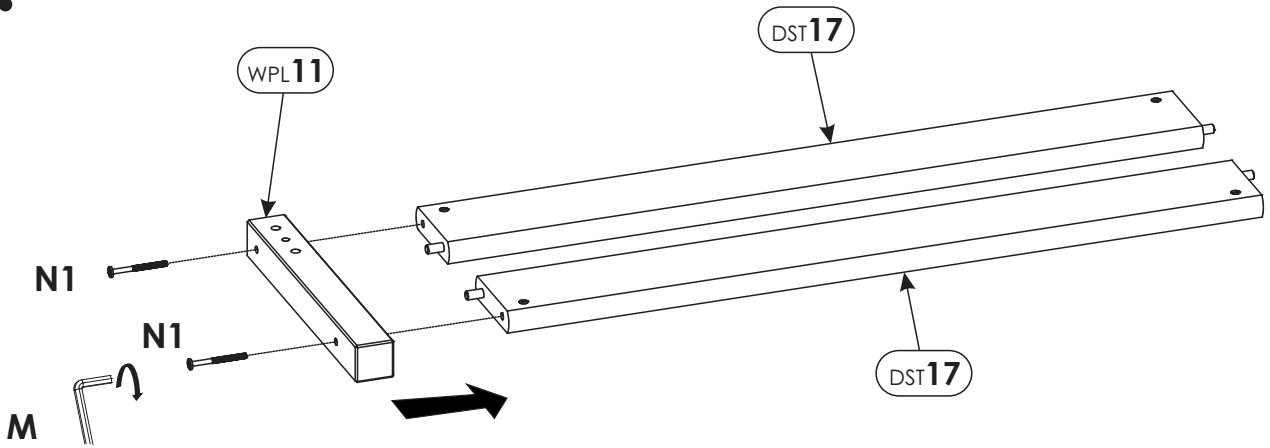
# 12.



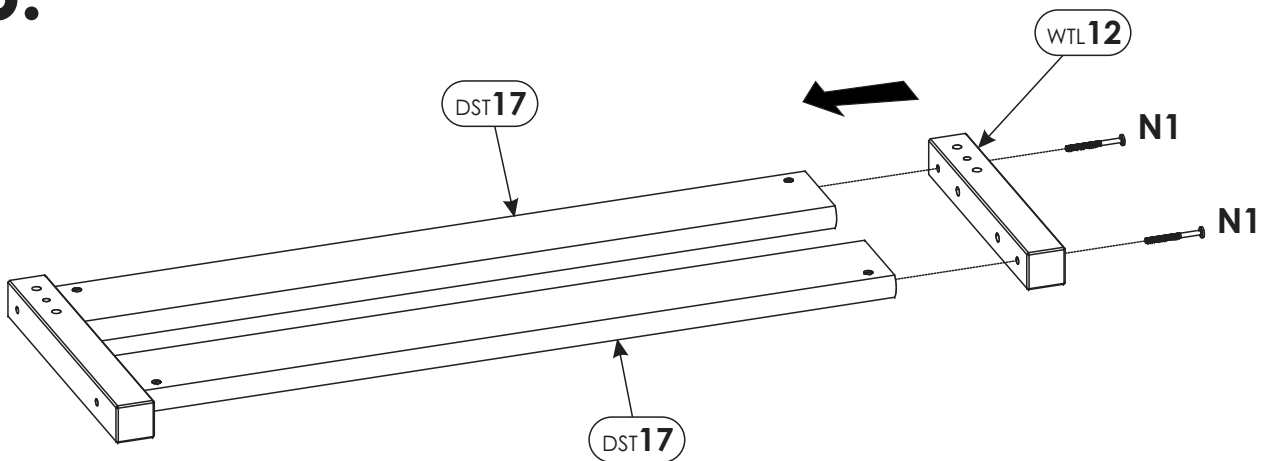
# 13.



# 14.

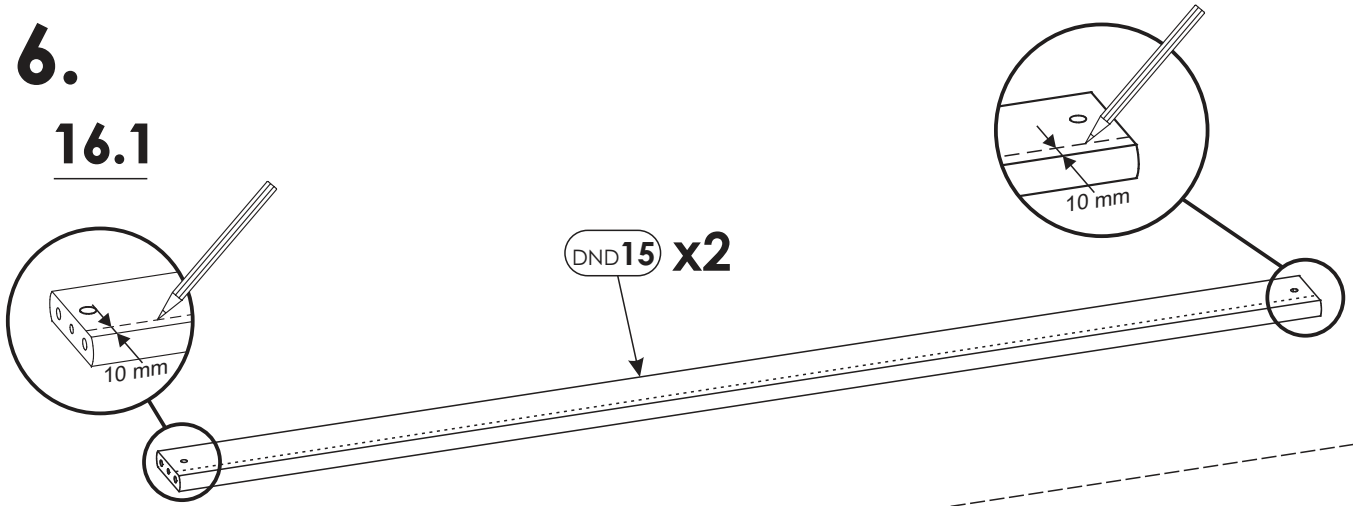


# 15.

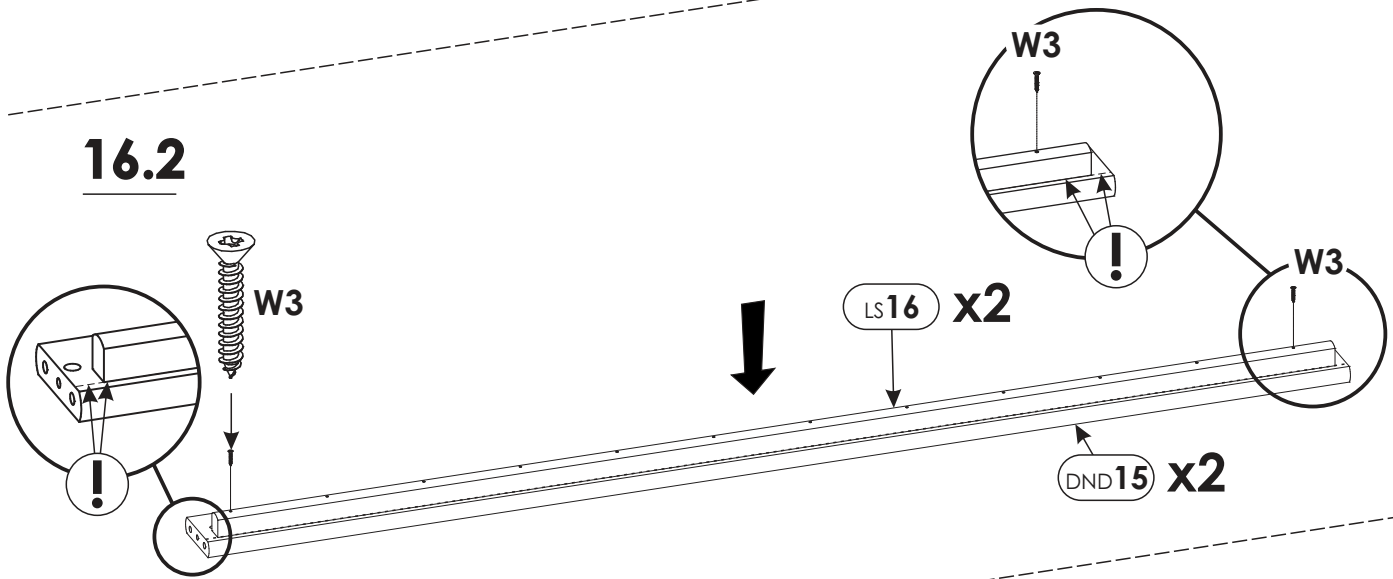


# 16.

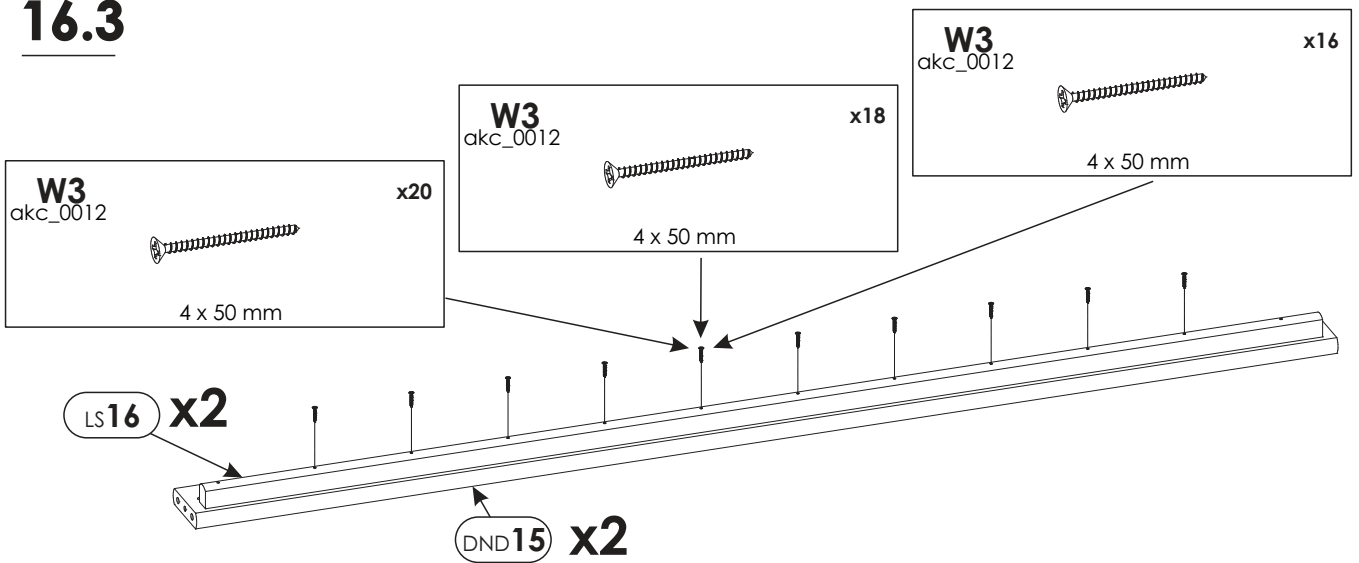
## 16.1



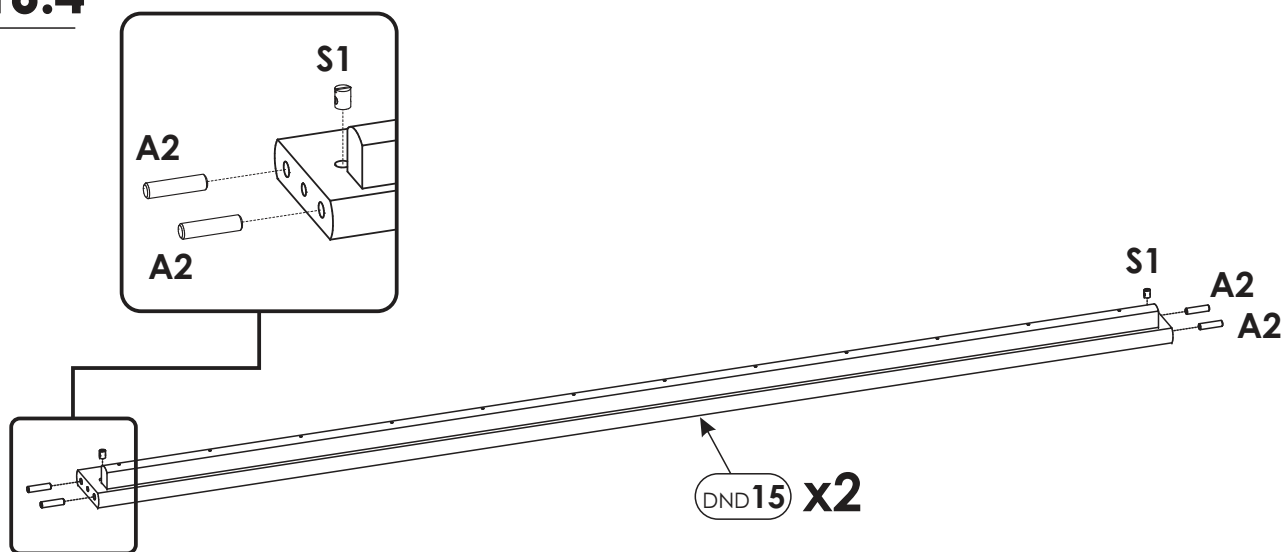
## 16.2



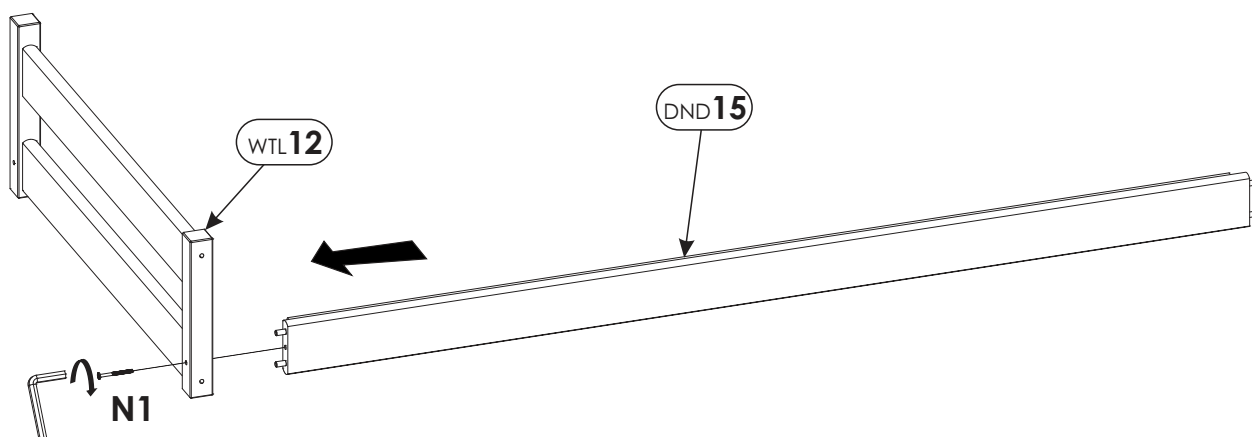
## 16.3



# 16.4

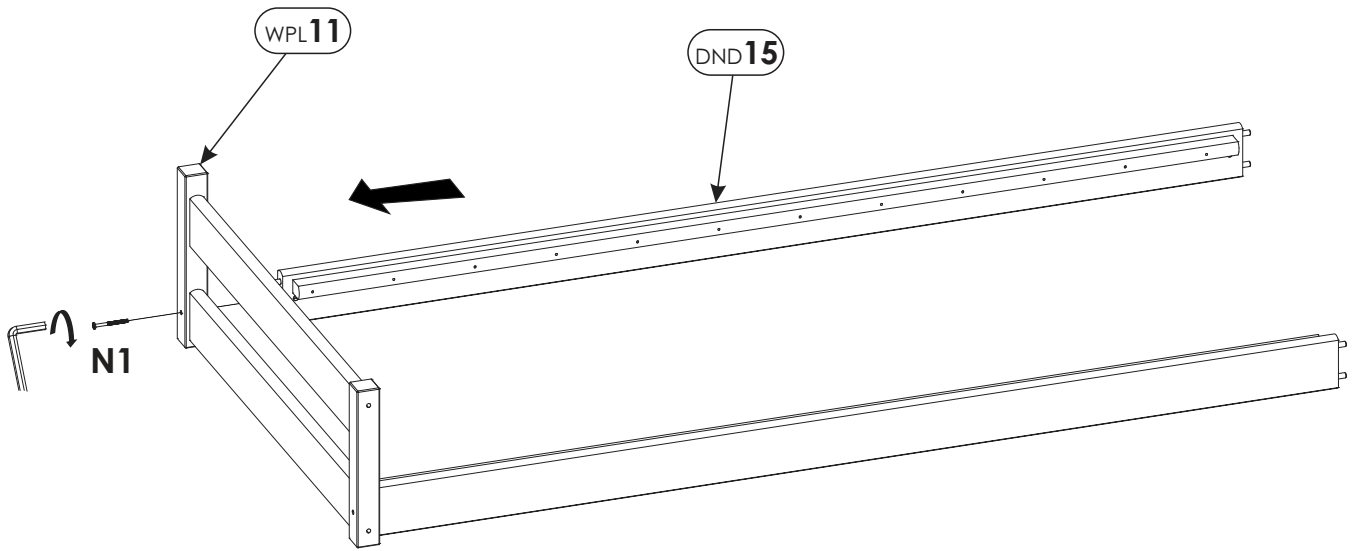


# 17.

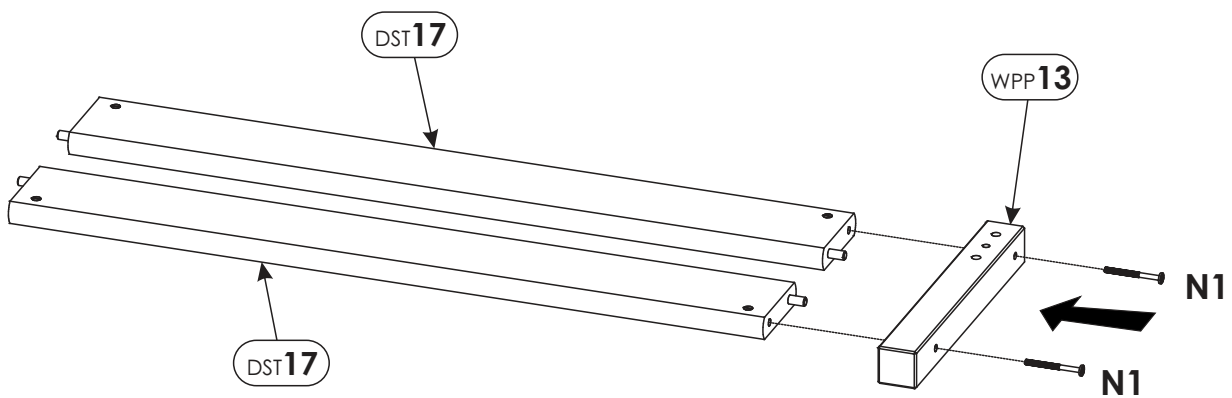




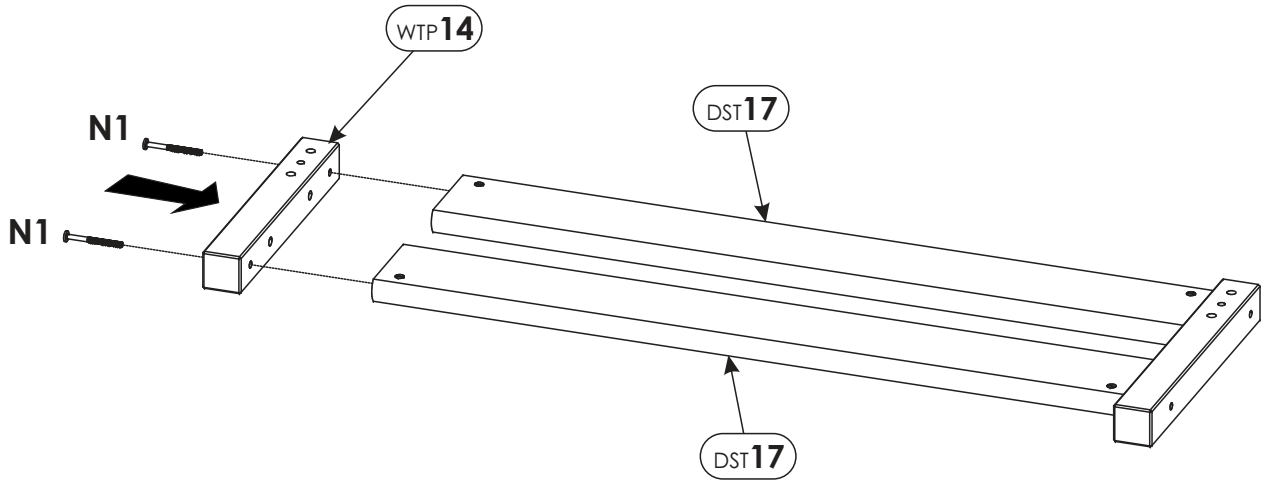
# 18.



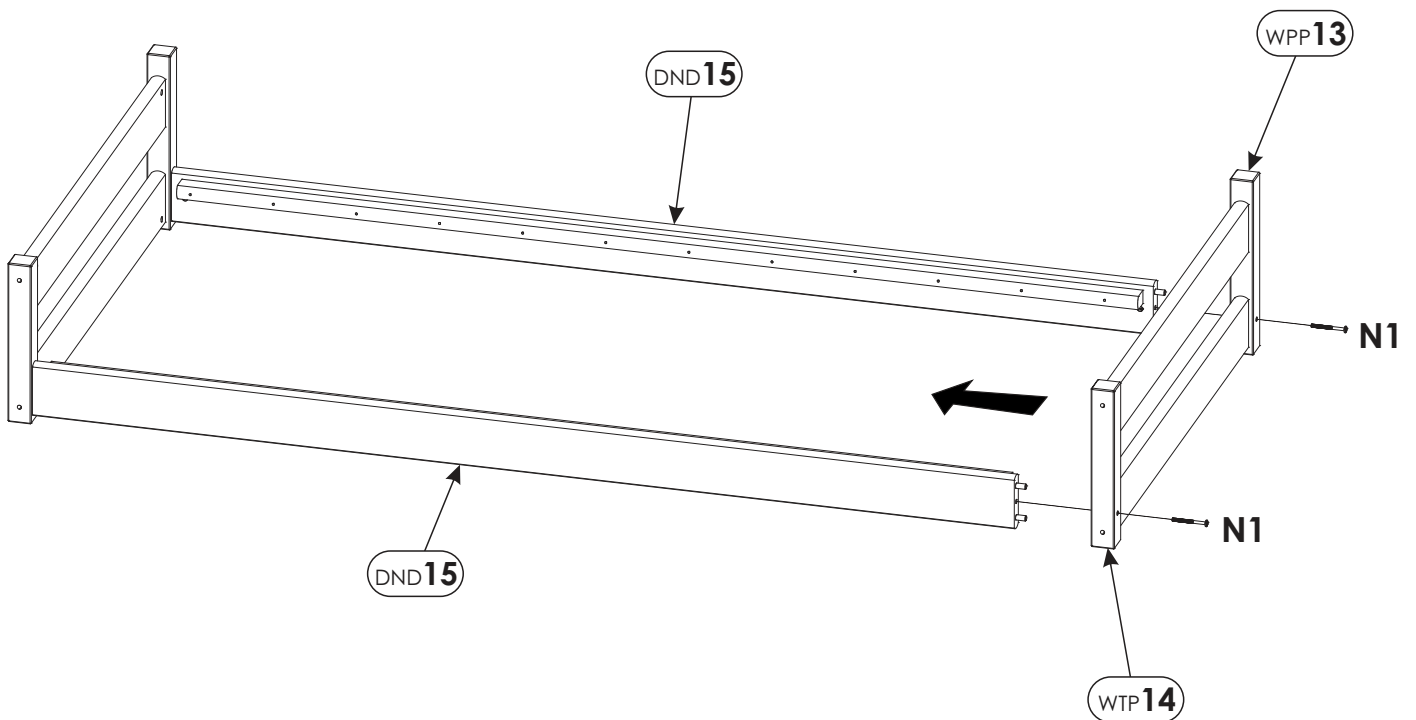
# 19.



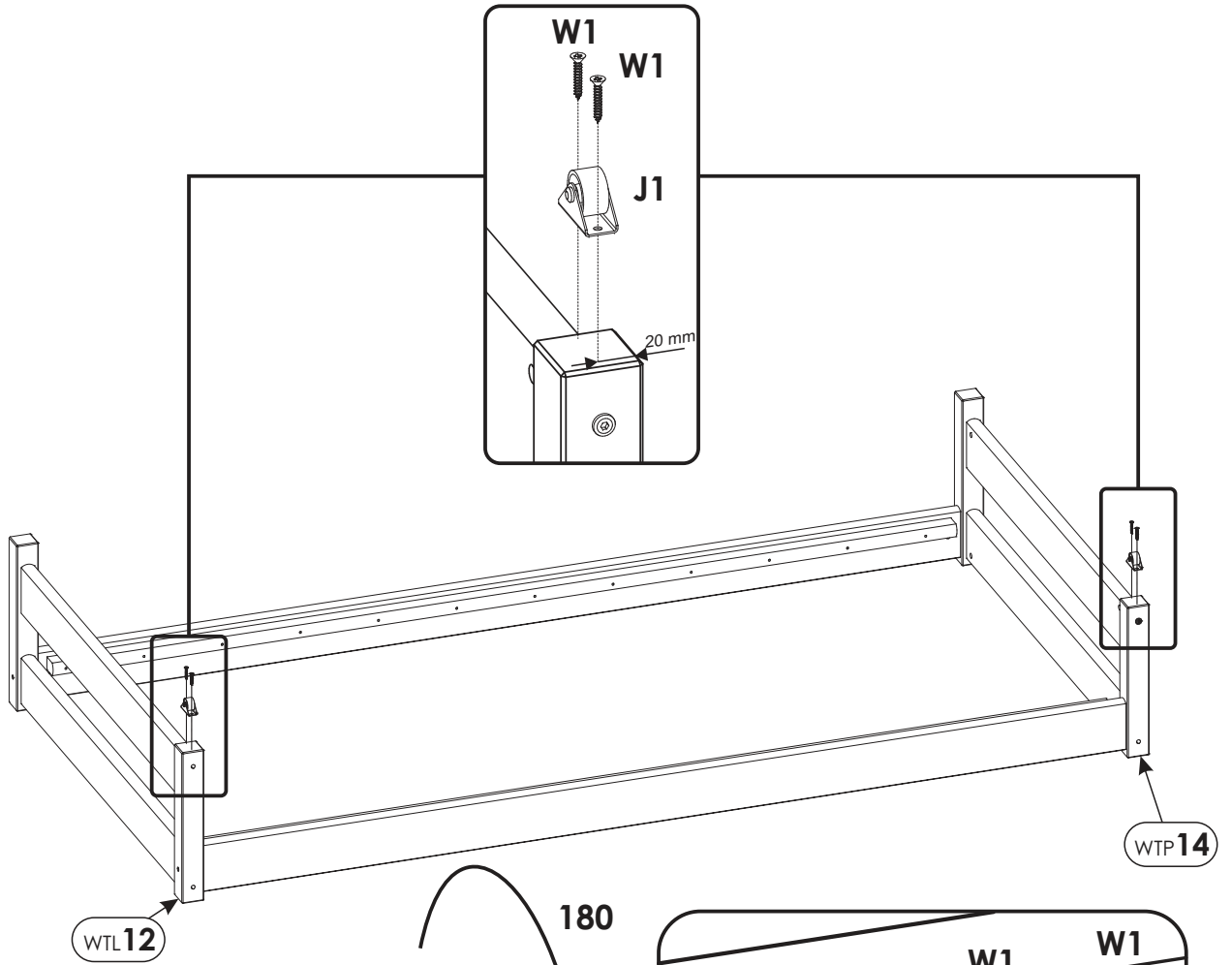
# 20.



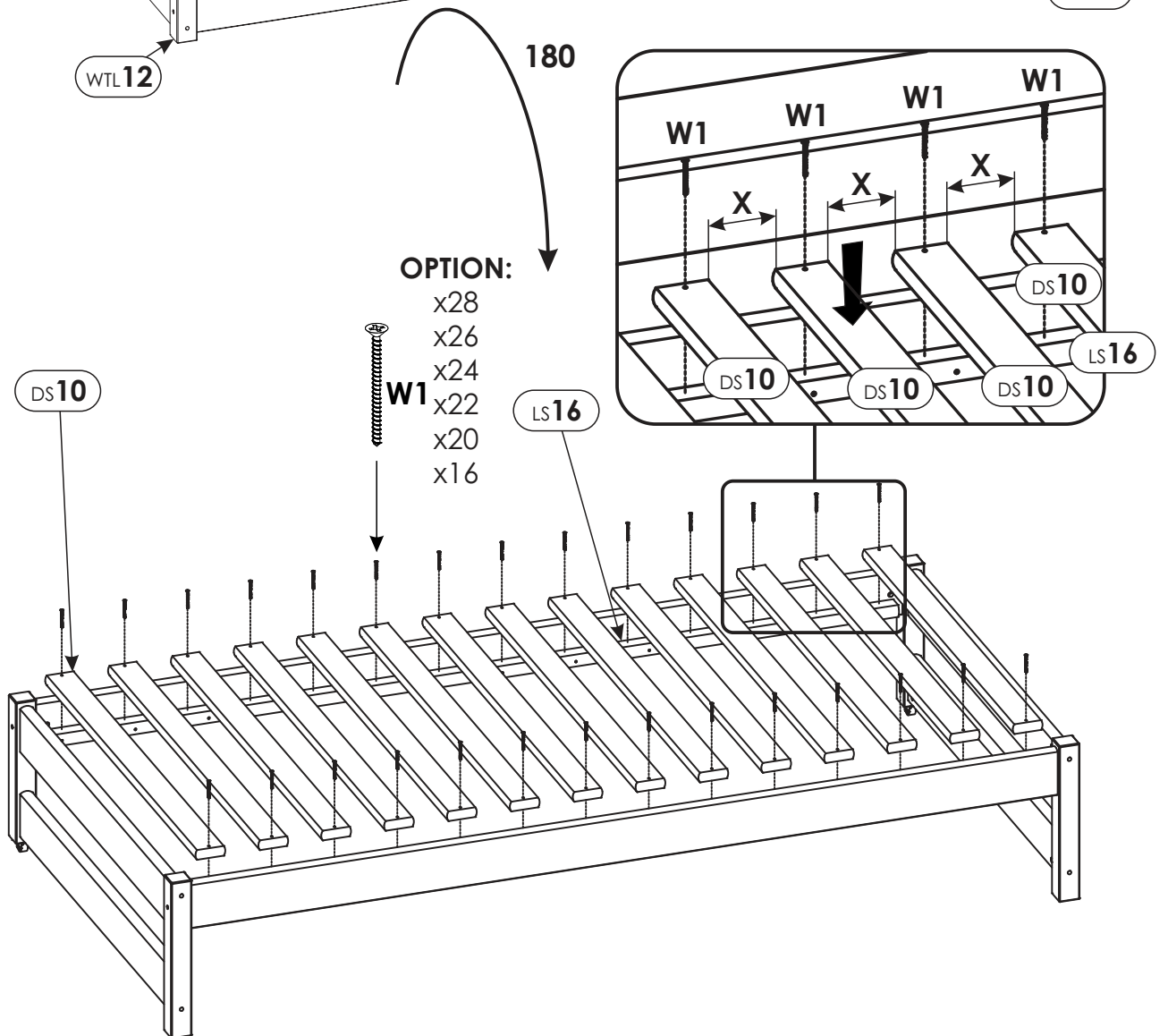
# 21.



# 22.



# 23.



24.

