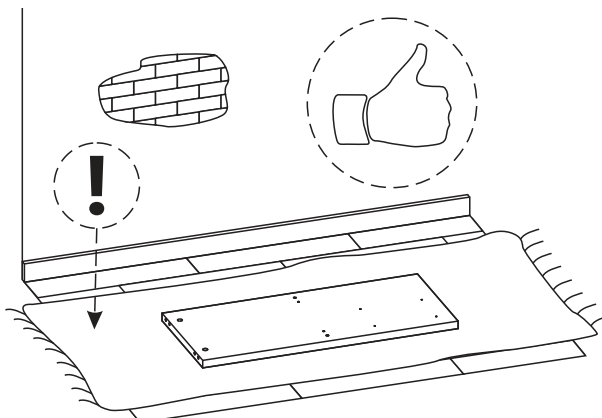
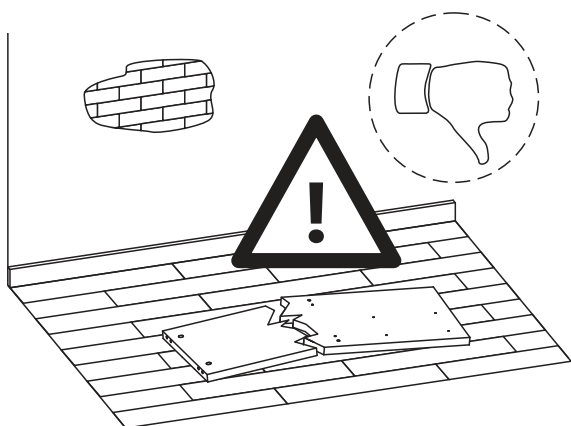
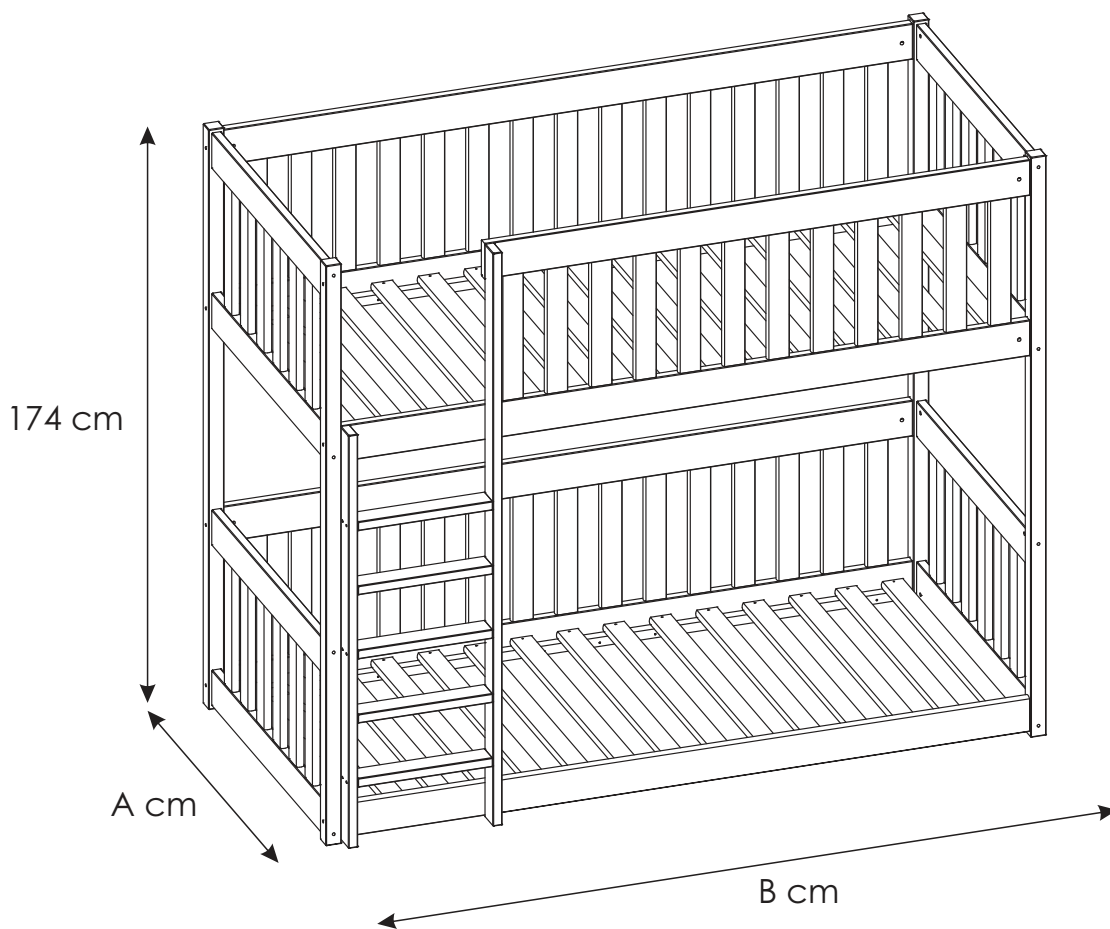
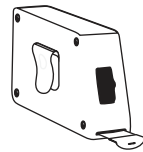
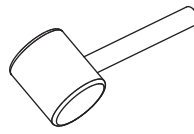
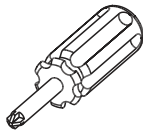
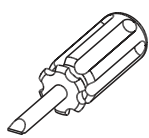
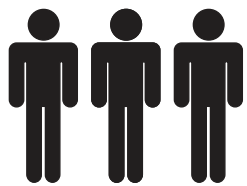
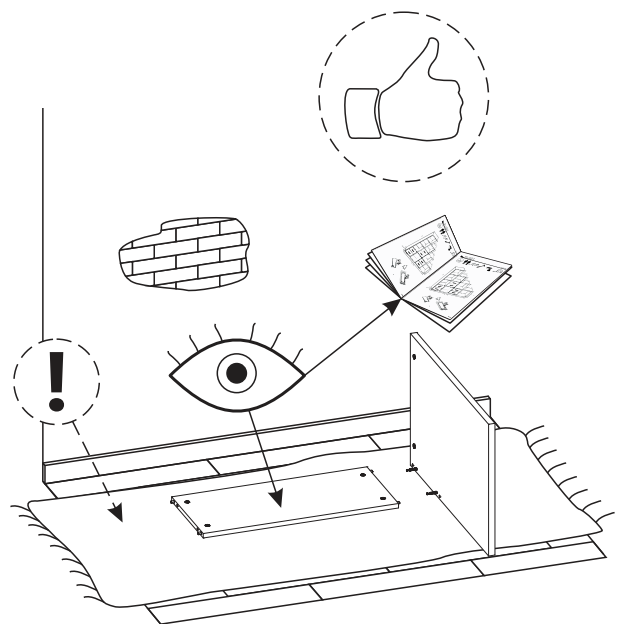
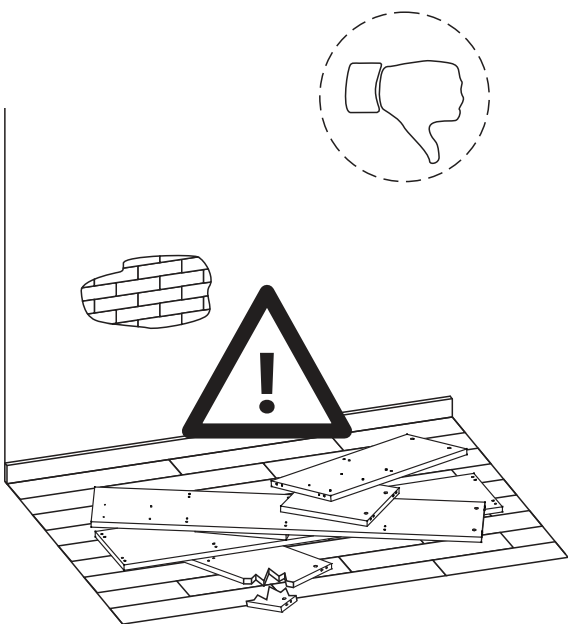
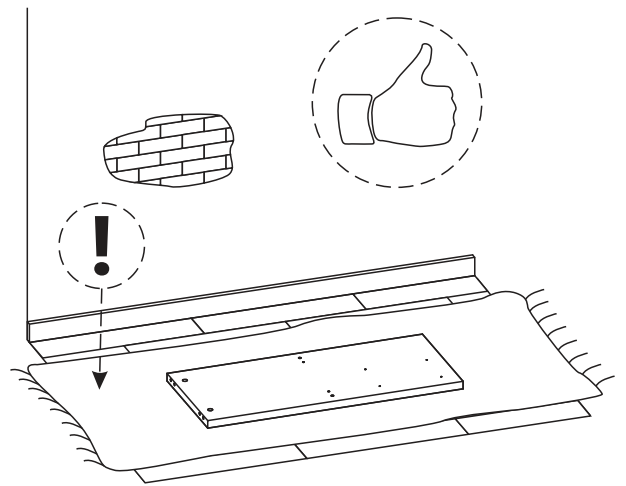
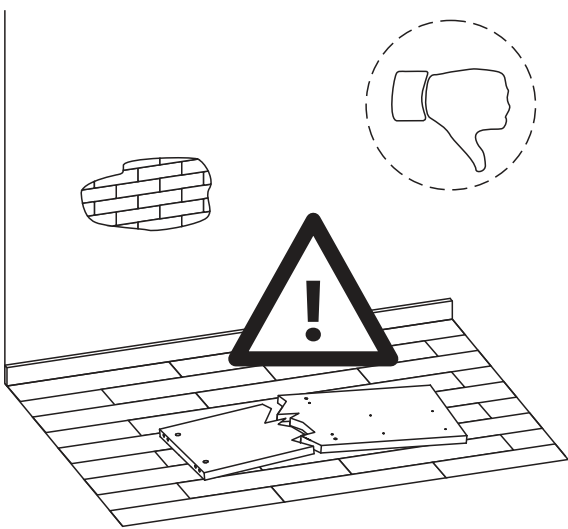
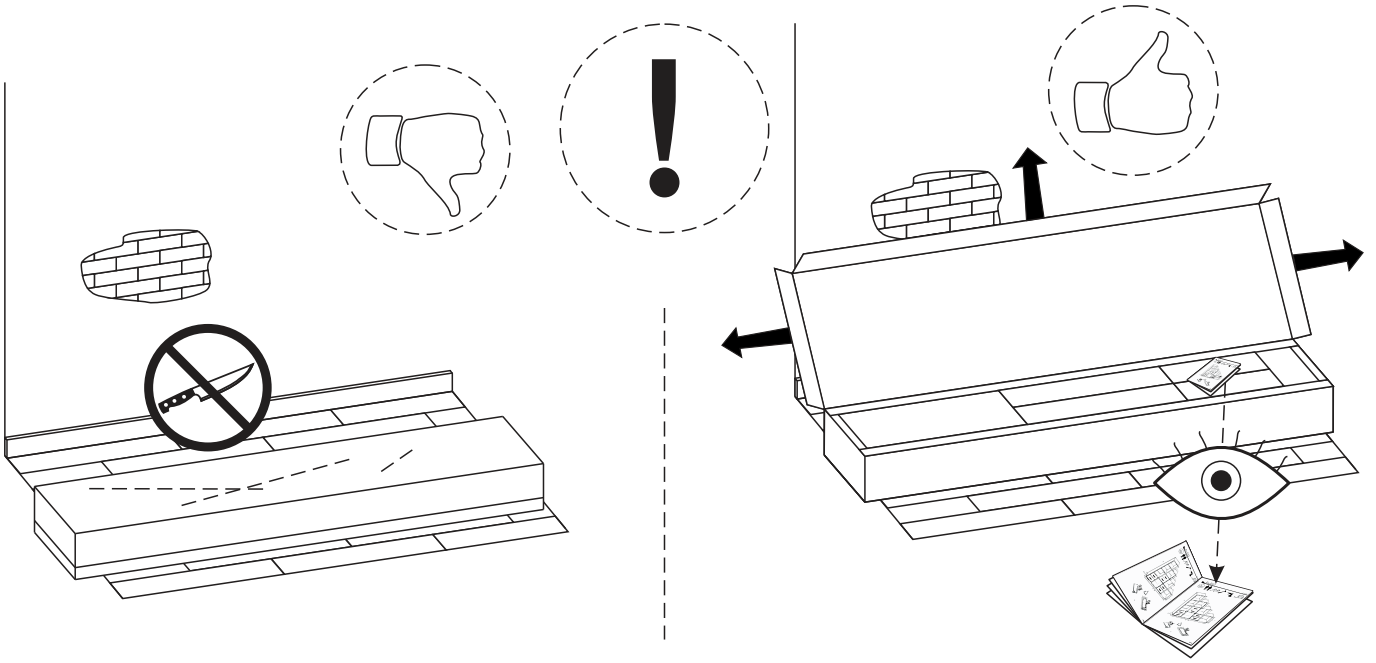
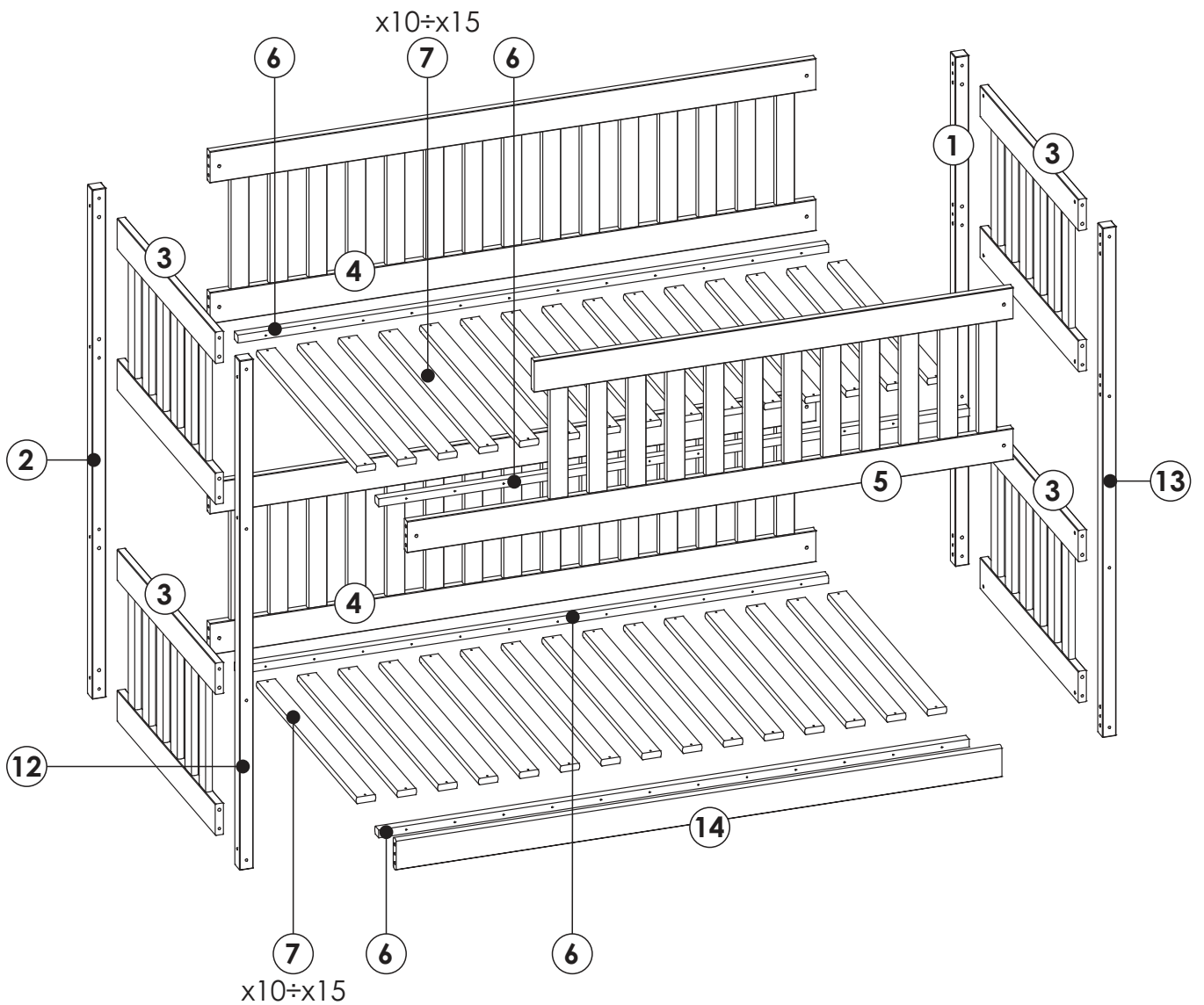
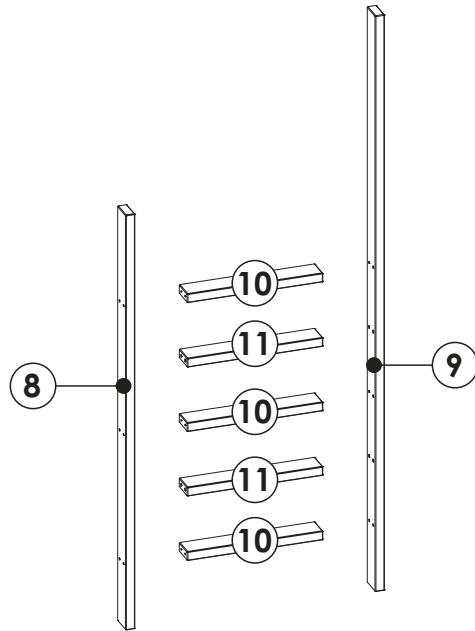
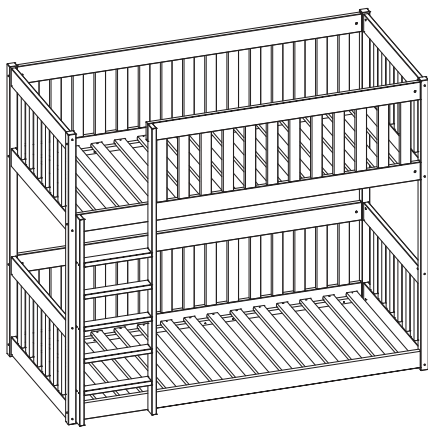


MIKOŁAJ 0%





MIKOŁAJ 0%



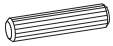
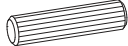


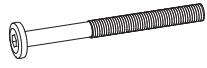
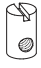

MIKOŁAJ 0%

NTP 1	1736	45	45	x1	MKNTP_02000
NTL 2	1736	45	45	x1	MKNTL_01990
PBP 3	685, 785, 885	587	27	x4	DP_00480 PS_00470
PDP 4	1390,1590, 1690,1790, 1890, 1990	587	27	x2	DPDC_00680 PS_00470
PDD 5	1390,1590, 1690,1790, 1890, 1990	587	27	x1	DPDC_00660 DPDD_01380 PS_00470
LS 6	1340,1540, 1640,1740, 1840, 1940	35	27	x4	LS_00160
P5S 8	1236	65	27	x1	DDDP5S_01400
P5S 9	1715	65	27	x1	DDDP5S_01400
DSS 10	390	65	27	x3	DSS_00210
DSK 11	390	65	27	x2	DSK_00220
NPL 12	1736	45	45	x1	MKNPL_02020
NPP 13	1736	45	45	x1	MKNPP_02010
DN 14	1390,1590, 1690,1790, 1890, 1990	107	27	x1	DN_00110


OPTION


DS 7	B=2000	700, 800, 900	65	22	x30	DS_00170
	B=1900				x28	
	B=1800				x26	
	B=1700				x26	
	B=1600				x24	
	B=1500				x22	
	B=1400				x20	

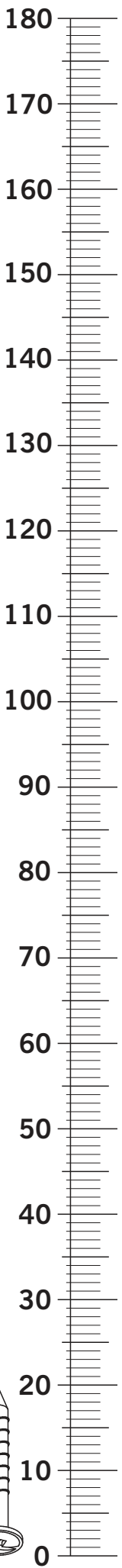
MIKOŁAJ 0%

<p>A1 akc_0001</p>  <p>8 x 35 mm</p> <p>x8</p>	<p>A2 akc_0002</p>  <p>10 x 40 mm</p> <p>x42</p>	<p>K1 akc_0004</p>  <p>6,4 x 50 mm</p> <p>x12</p>
<p>M akc_0005</p>  <p>x1</p>	<p>N1 akc_0006</p>  <p>6 x 80 mm</p> <p>x29</p>	<p>S1 akc_0008</p>  <p>10 x 16 mm</p> <p>x29</p>
<p>W4 akc_0012</p>  <p>4 x 60 mm</p> <p>x5</p>		

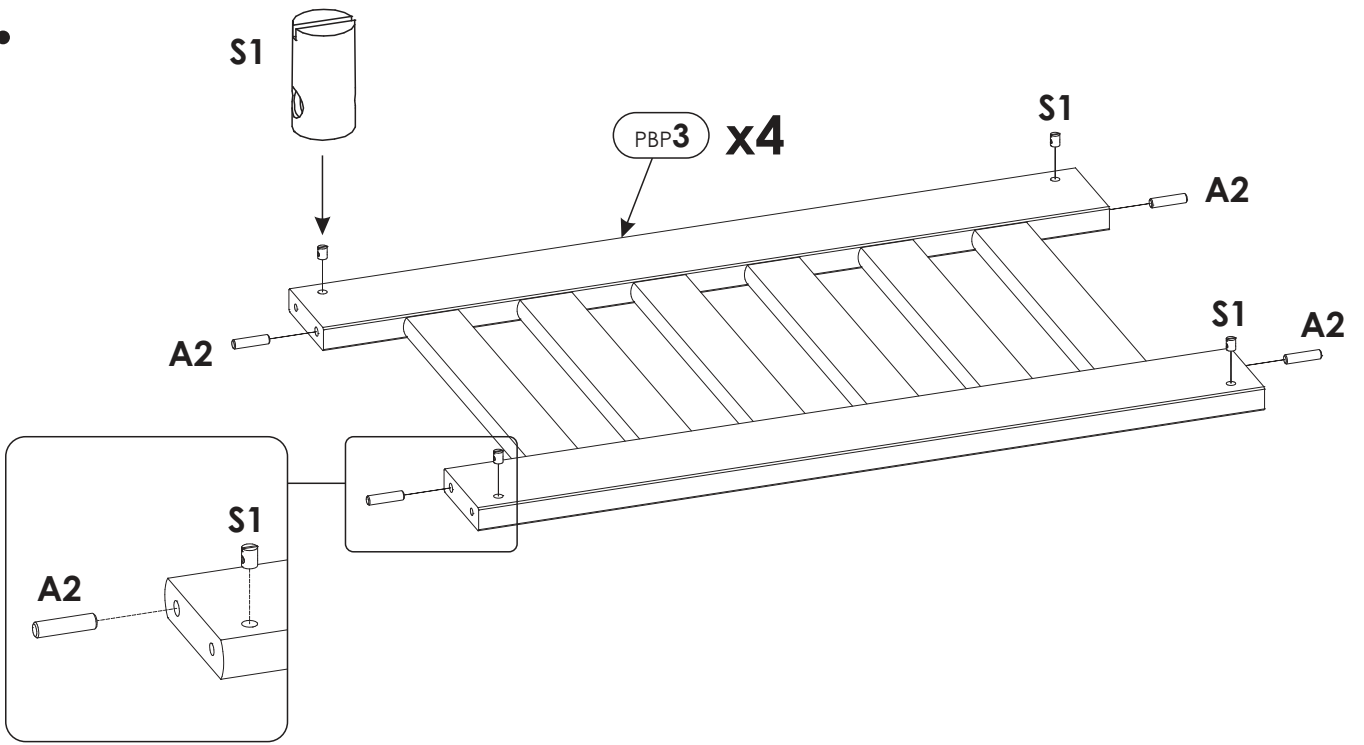
----- OPTION -----

<p>W1 akc_0009</p>  <p>3,5 x 40 mm</p> <p>40 < x < 60</p>
--

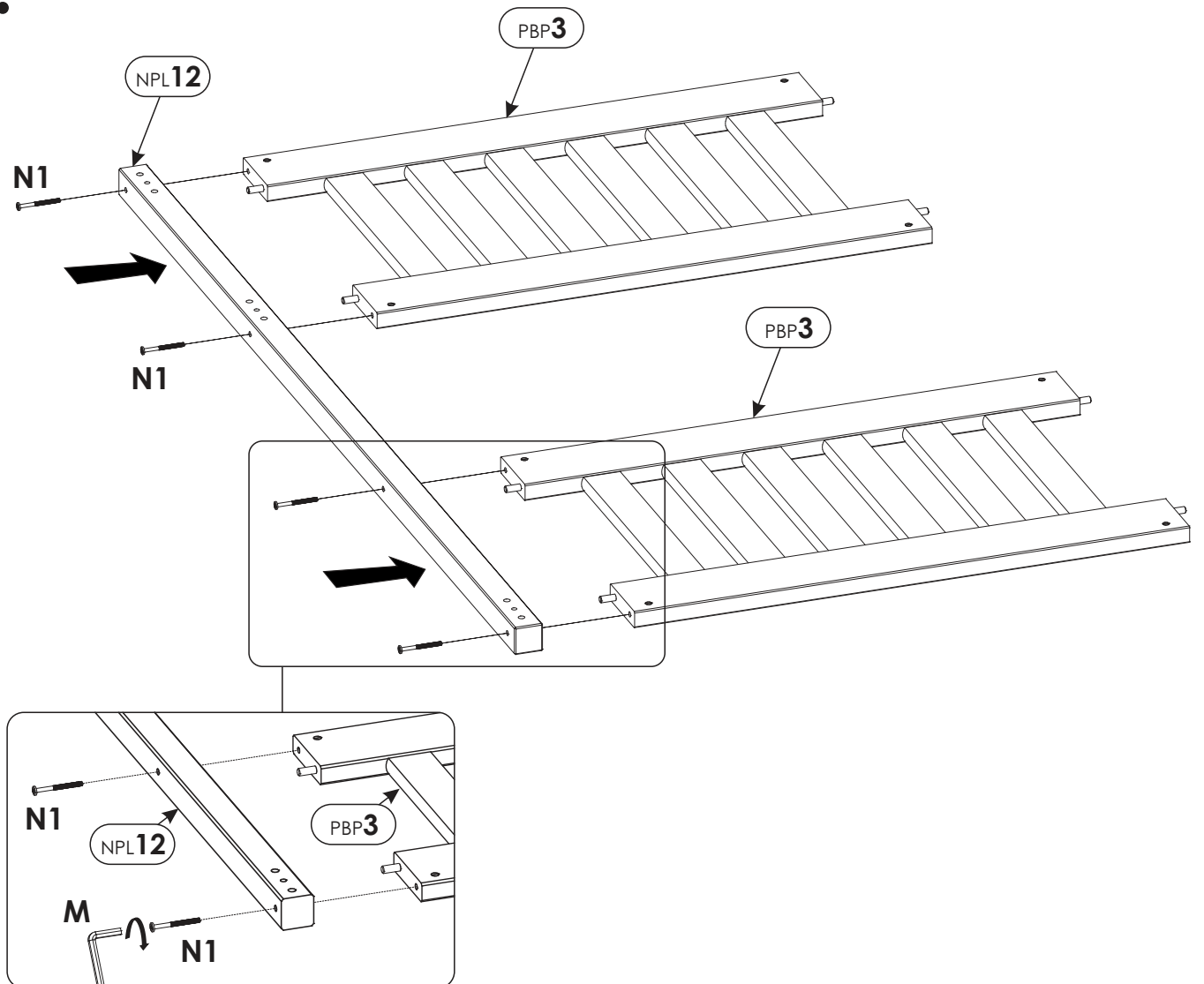
<p>W3 akc_0011</p>  <p>4 x 50 mm</p> <p>40 < x < 48</p>
--



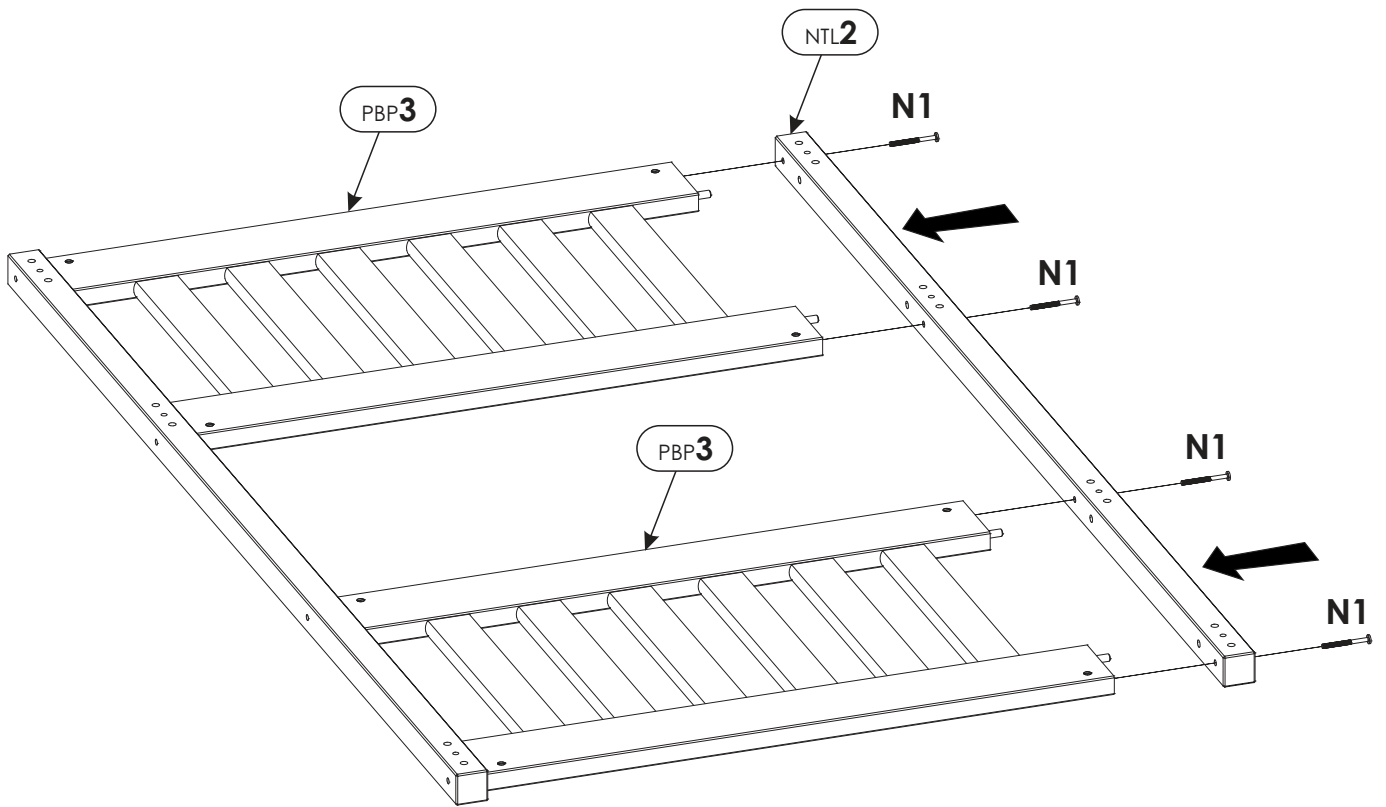
1.



2.

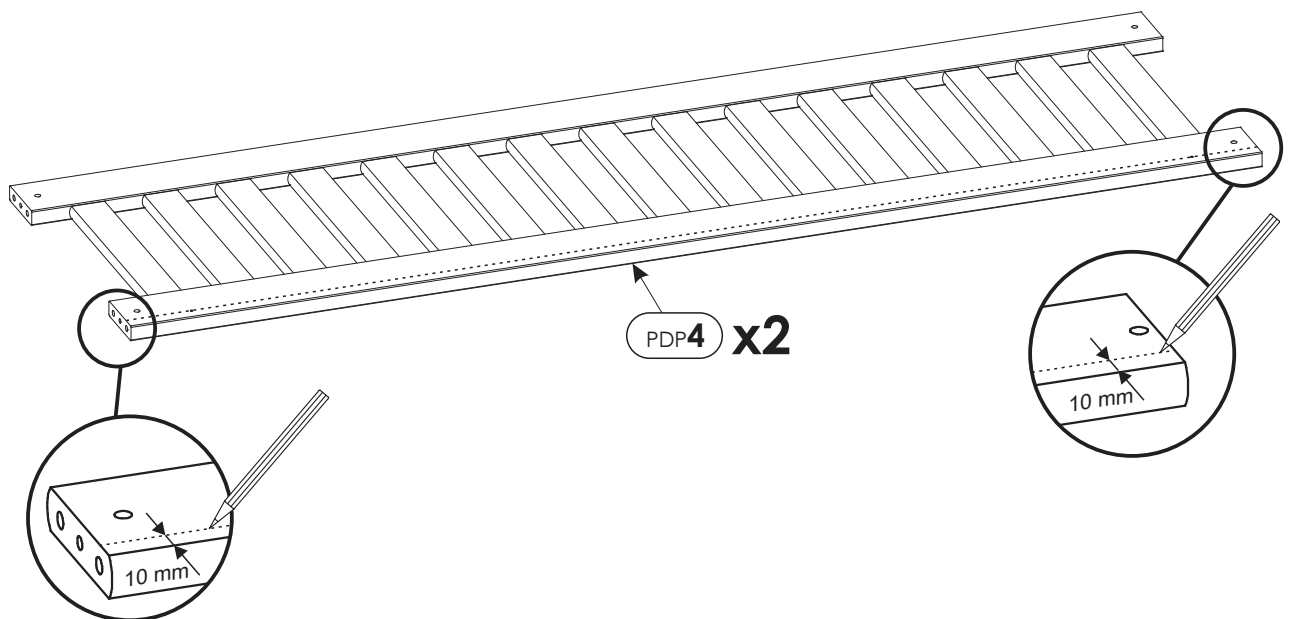


3.

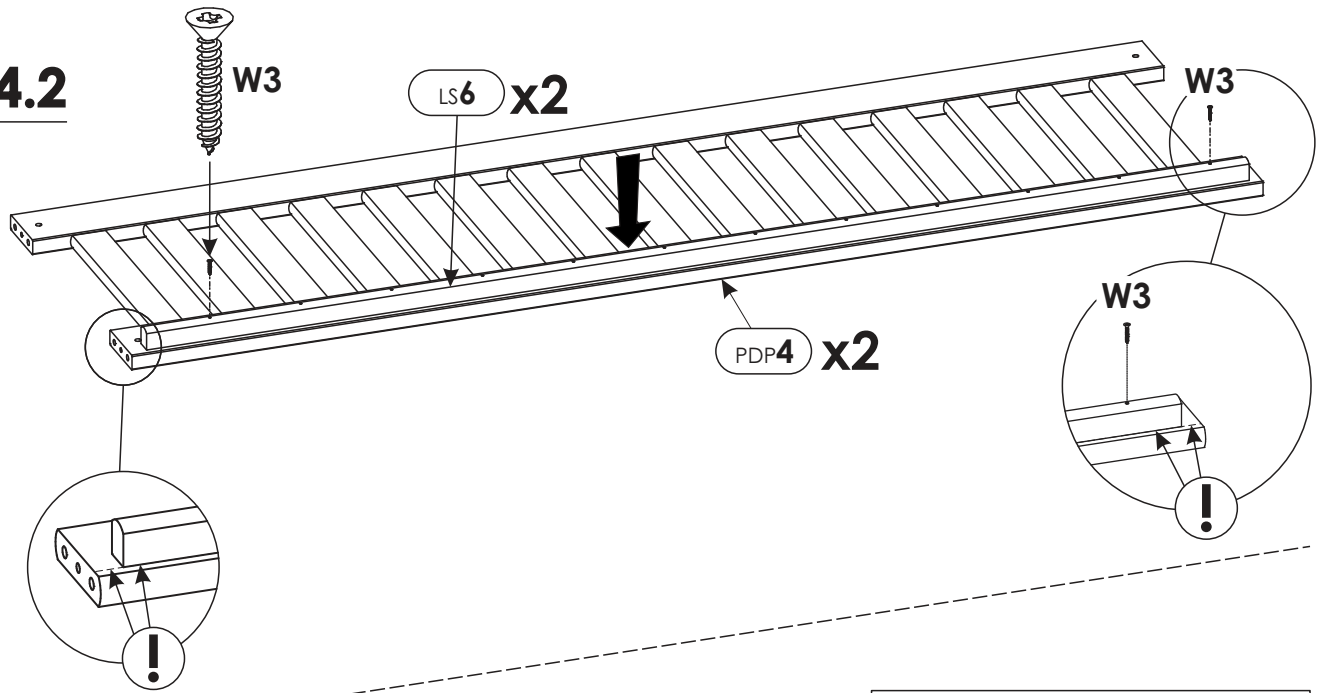


4.

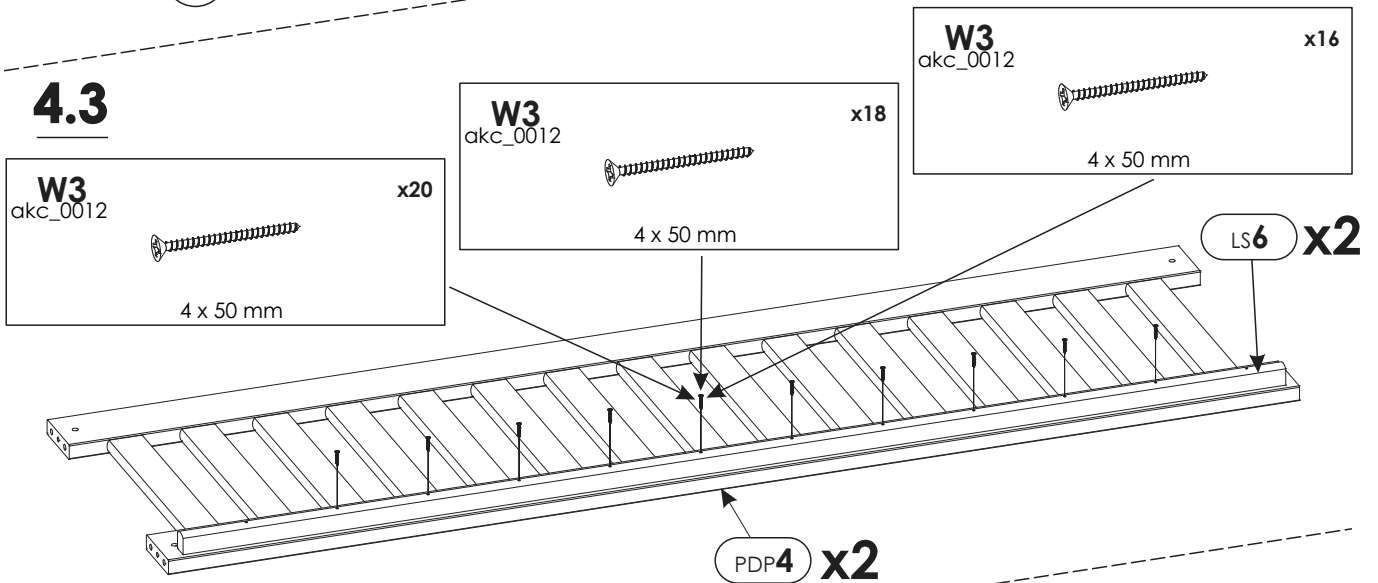
4.1



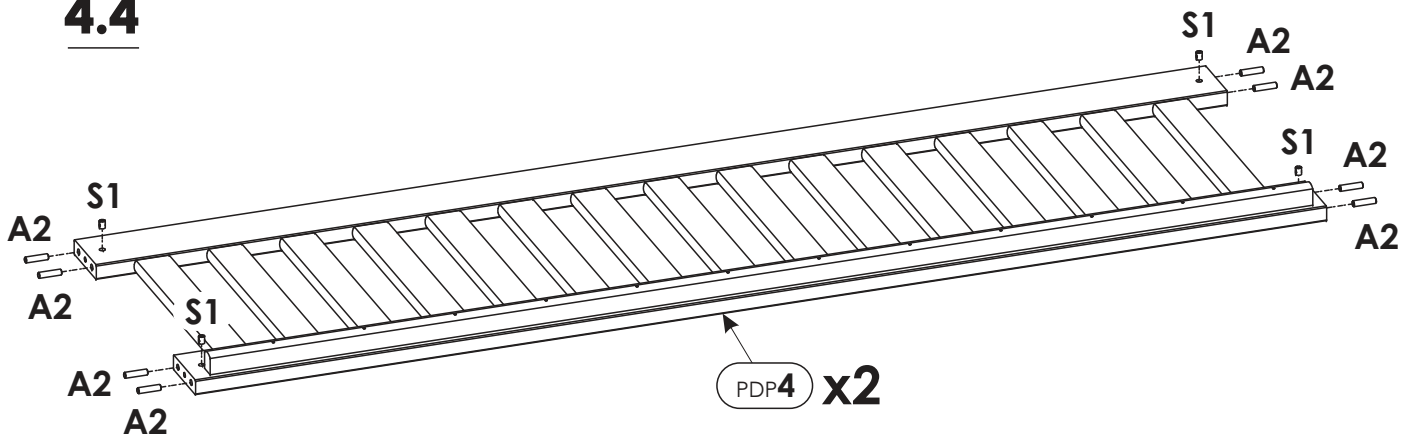
4.2



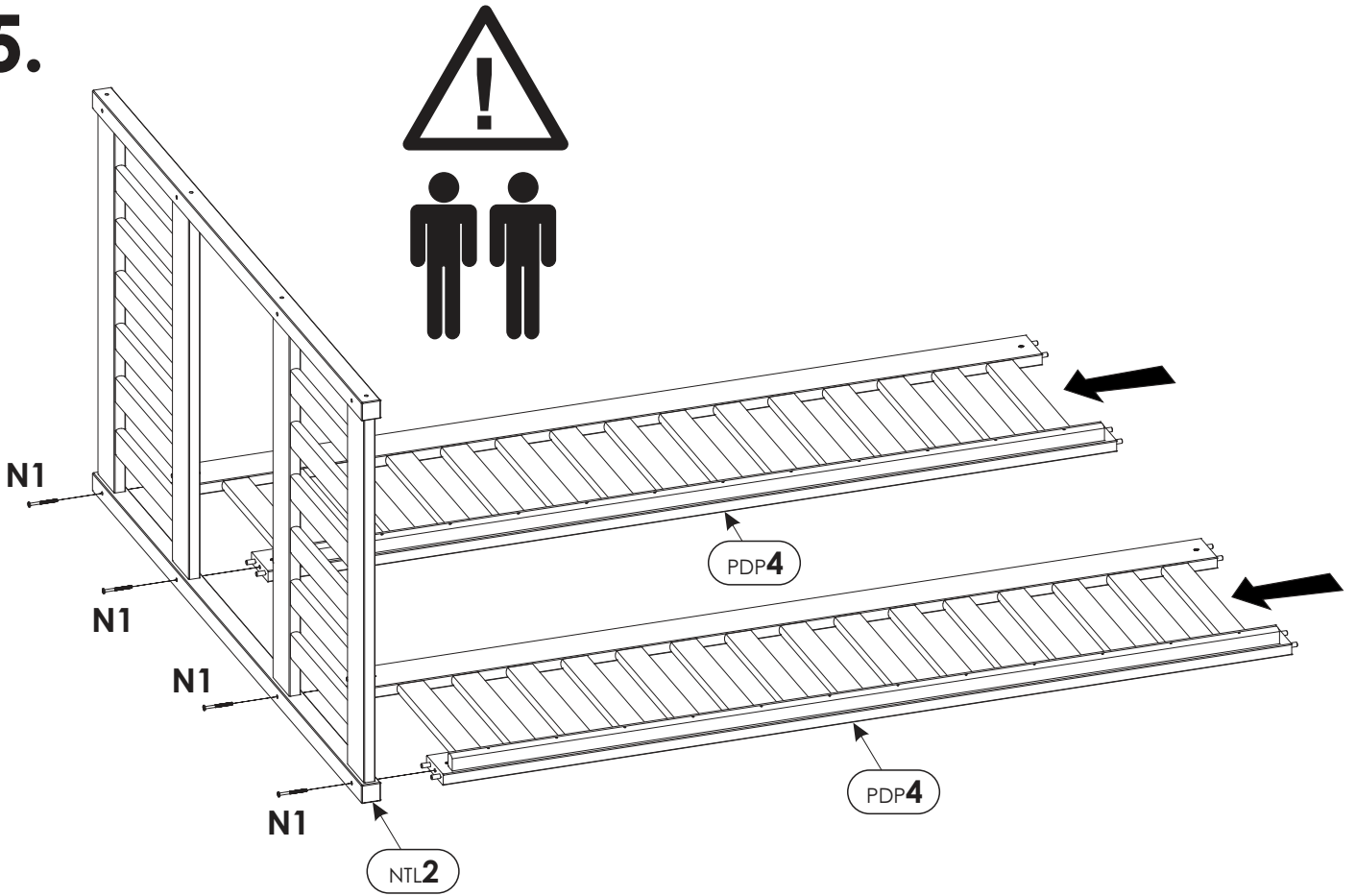
4.3



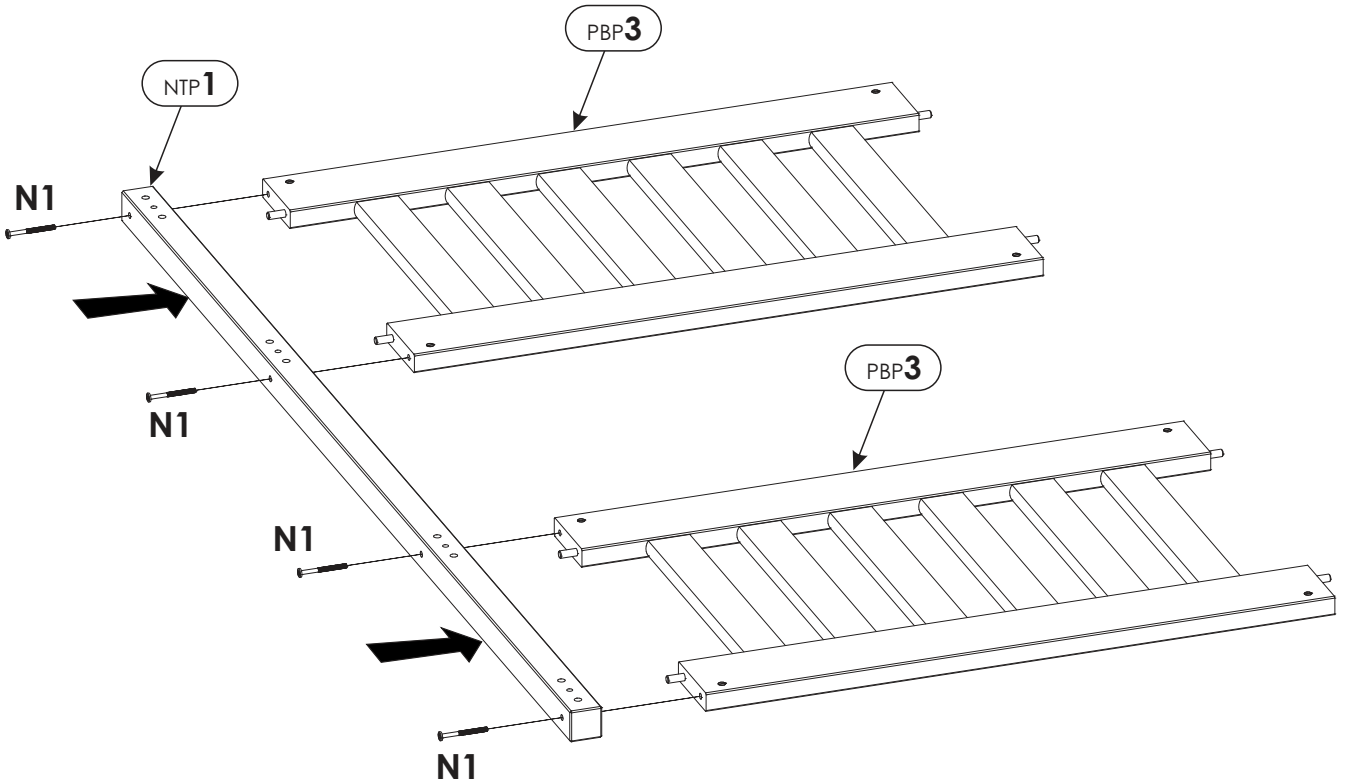
4.4



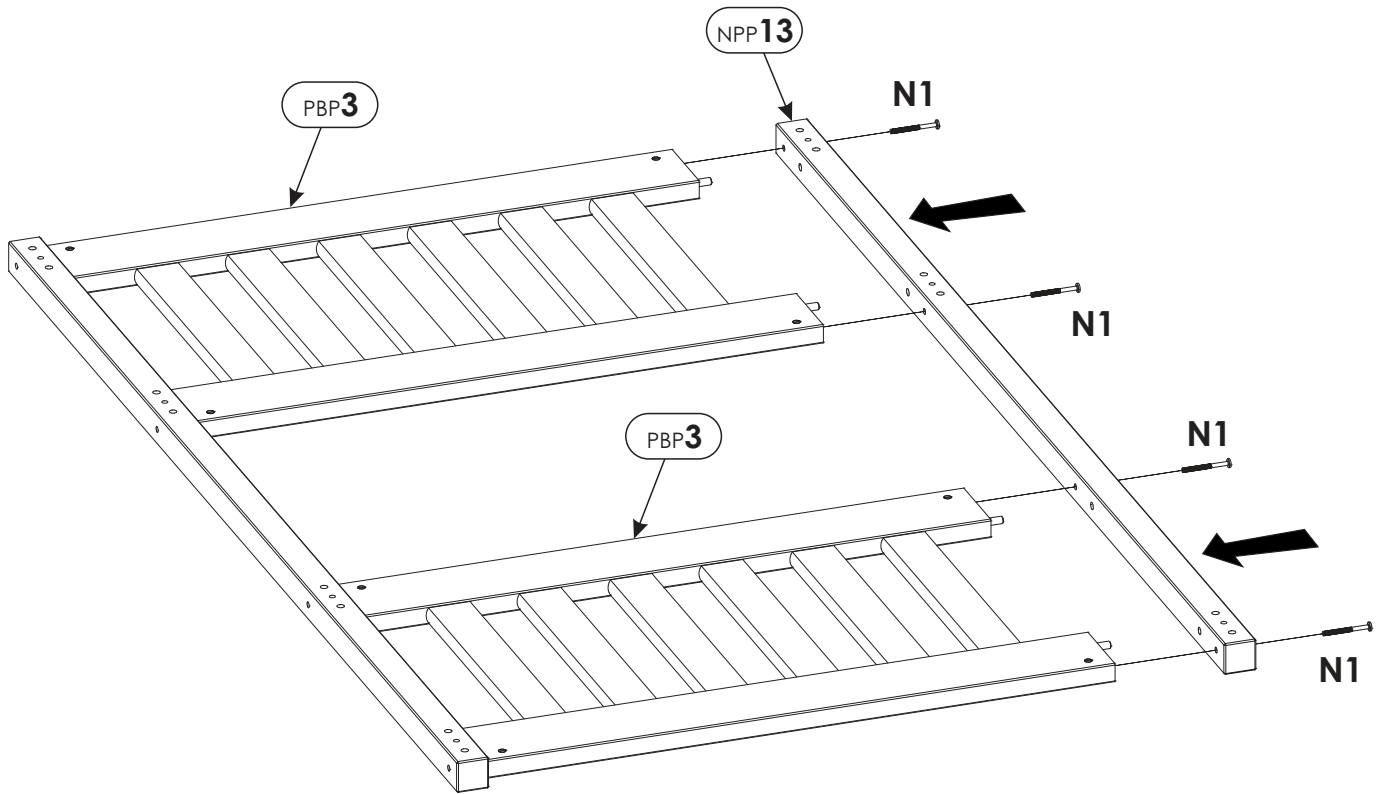
5.



6.

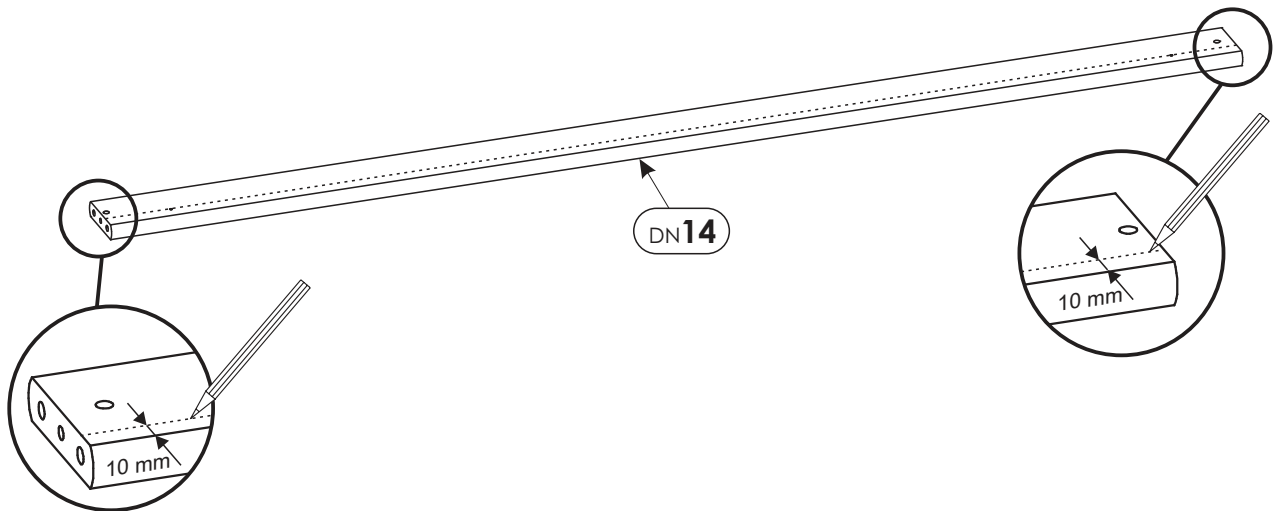


7.

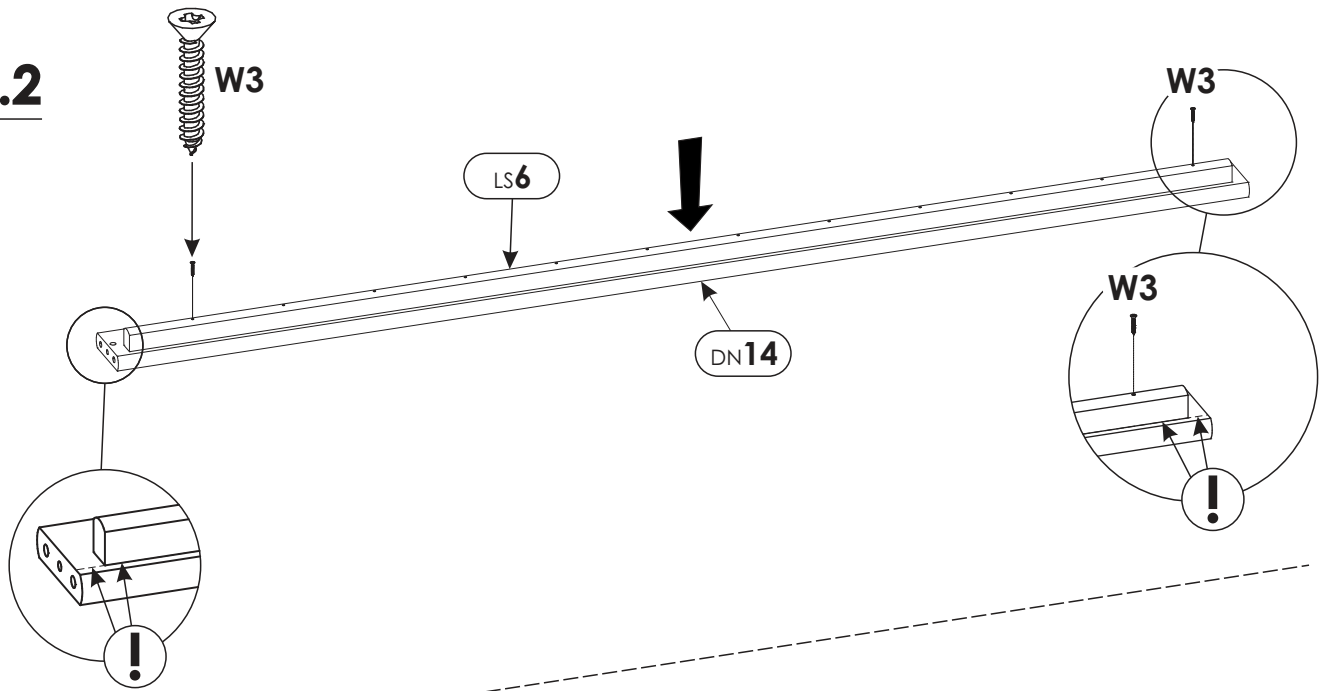


8.

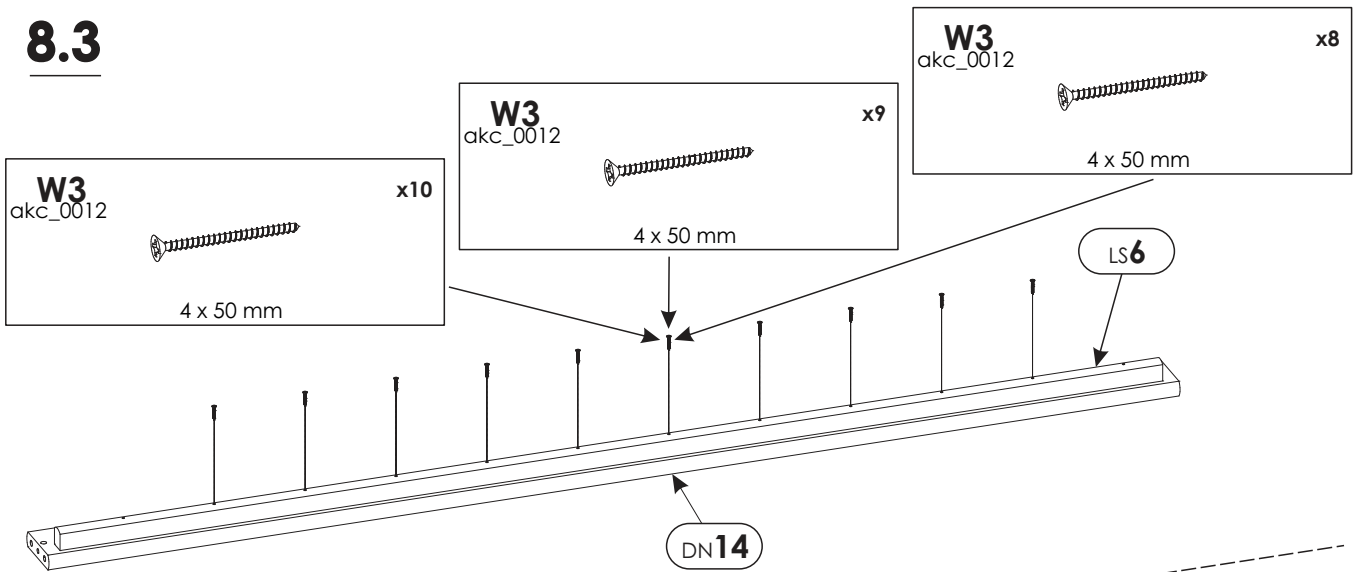
8.1



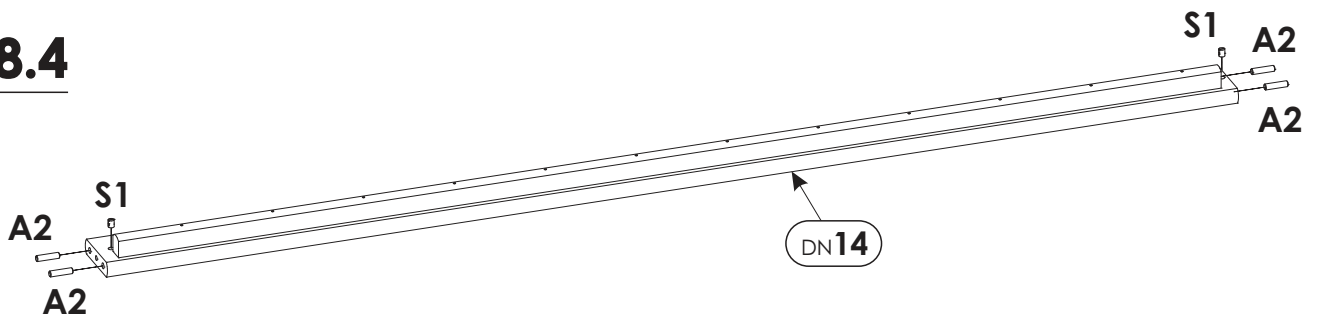
8.2

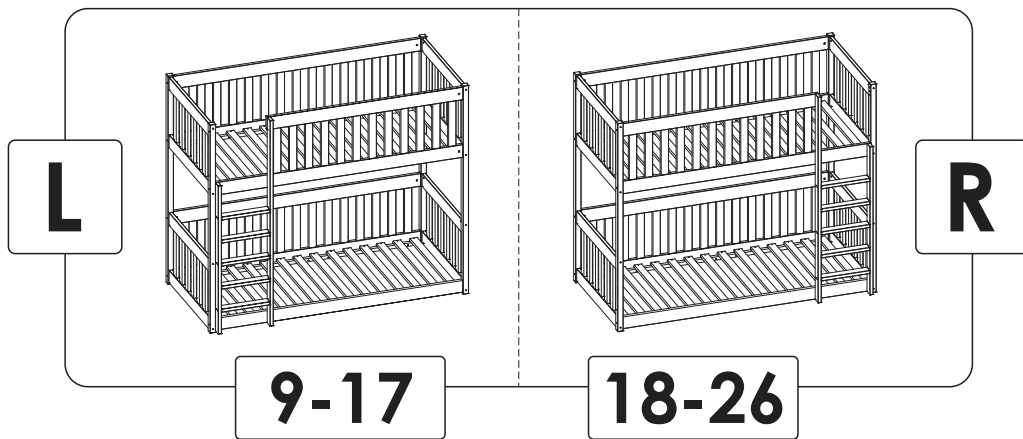


8.3



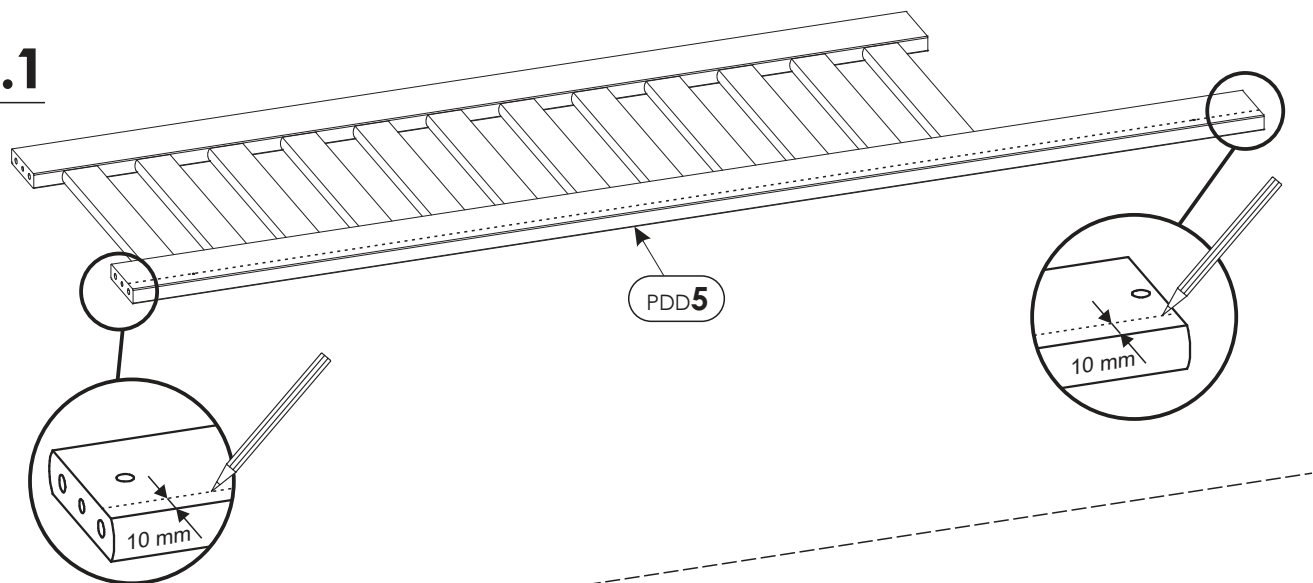
8.4



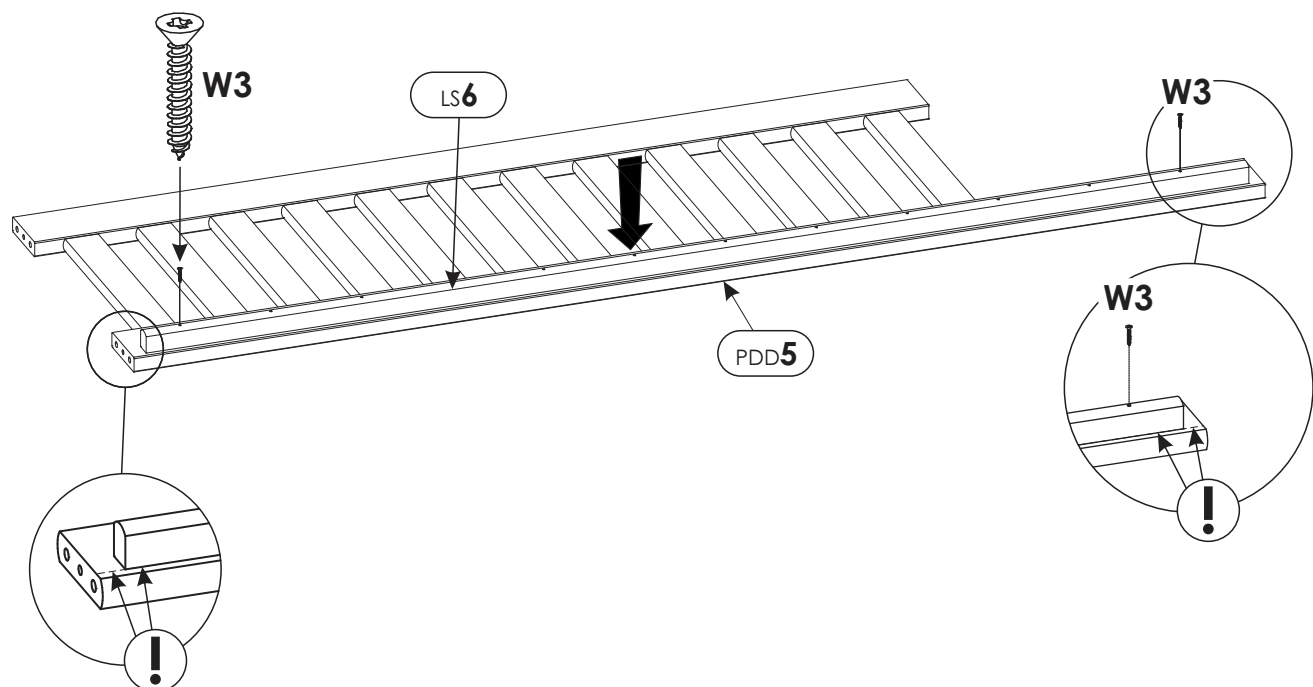


9.

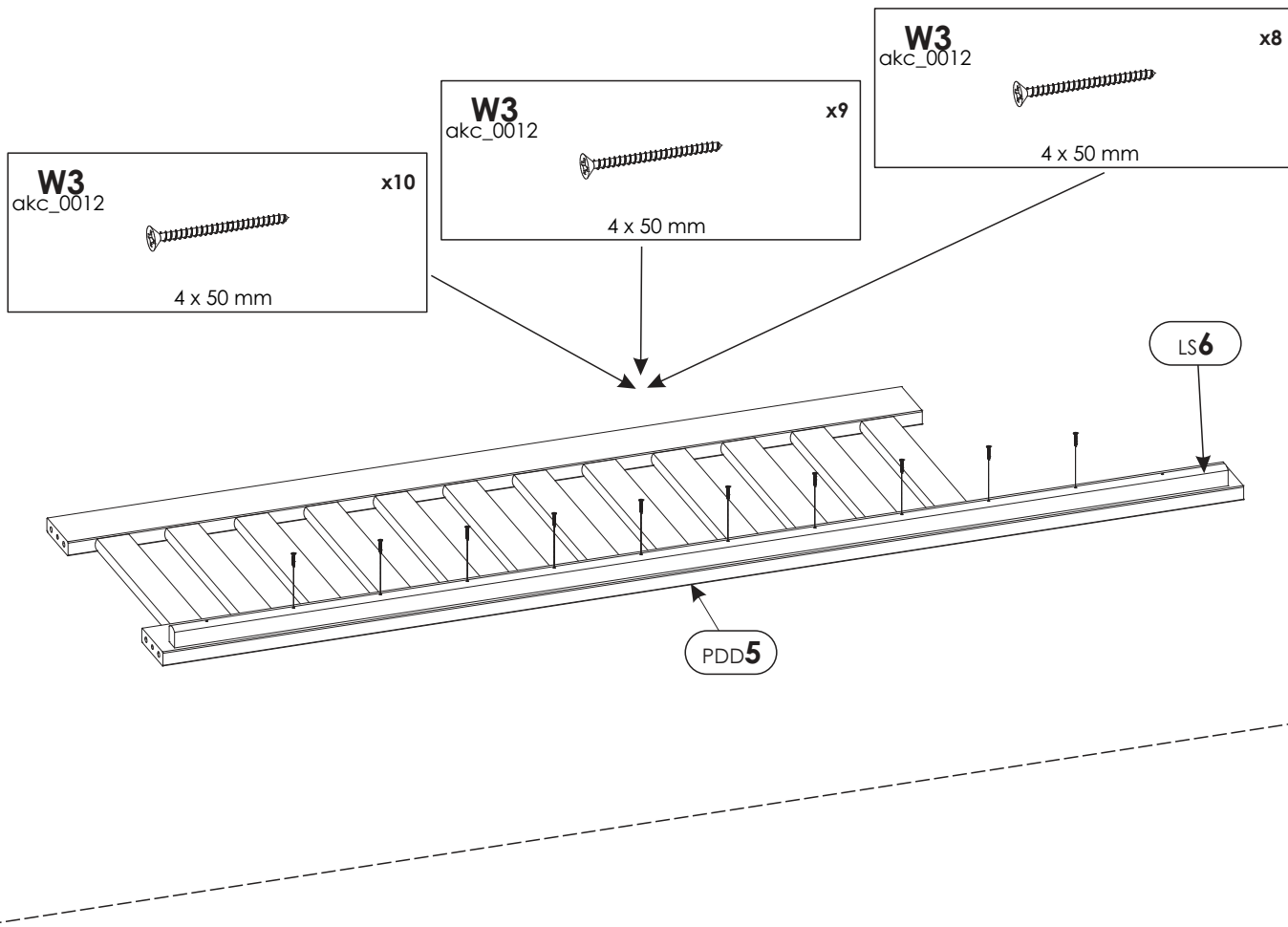
9.1



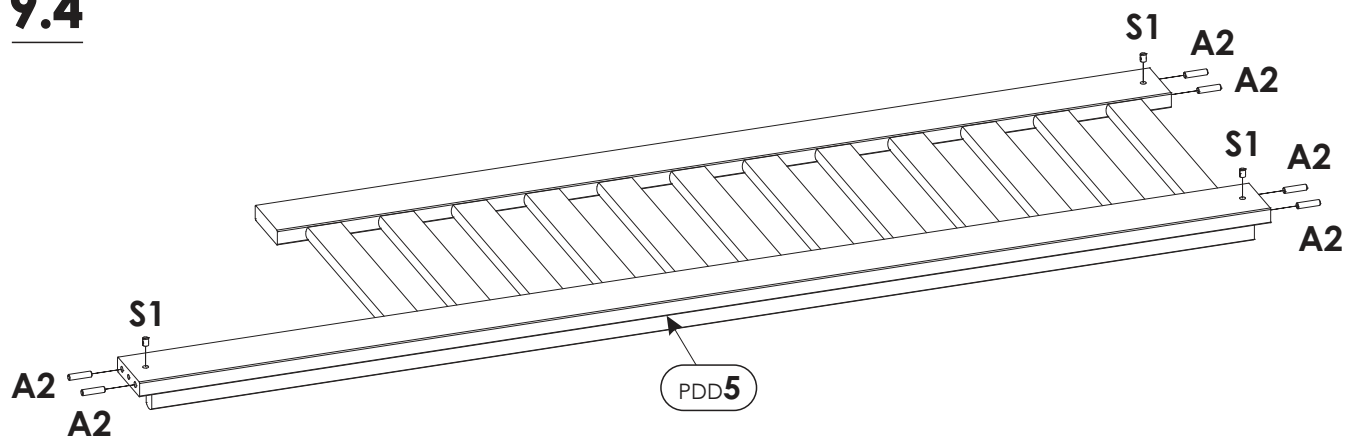
9.2



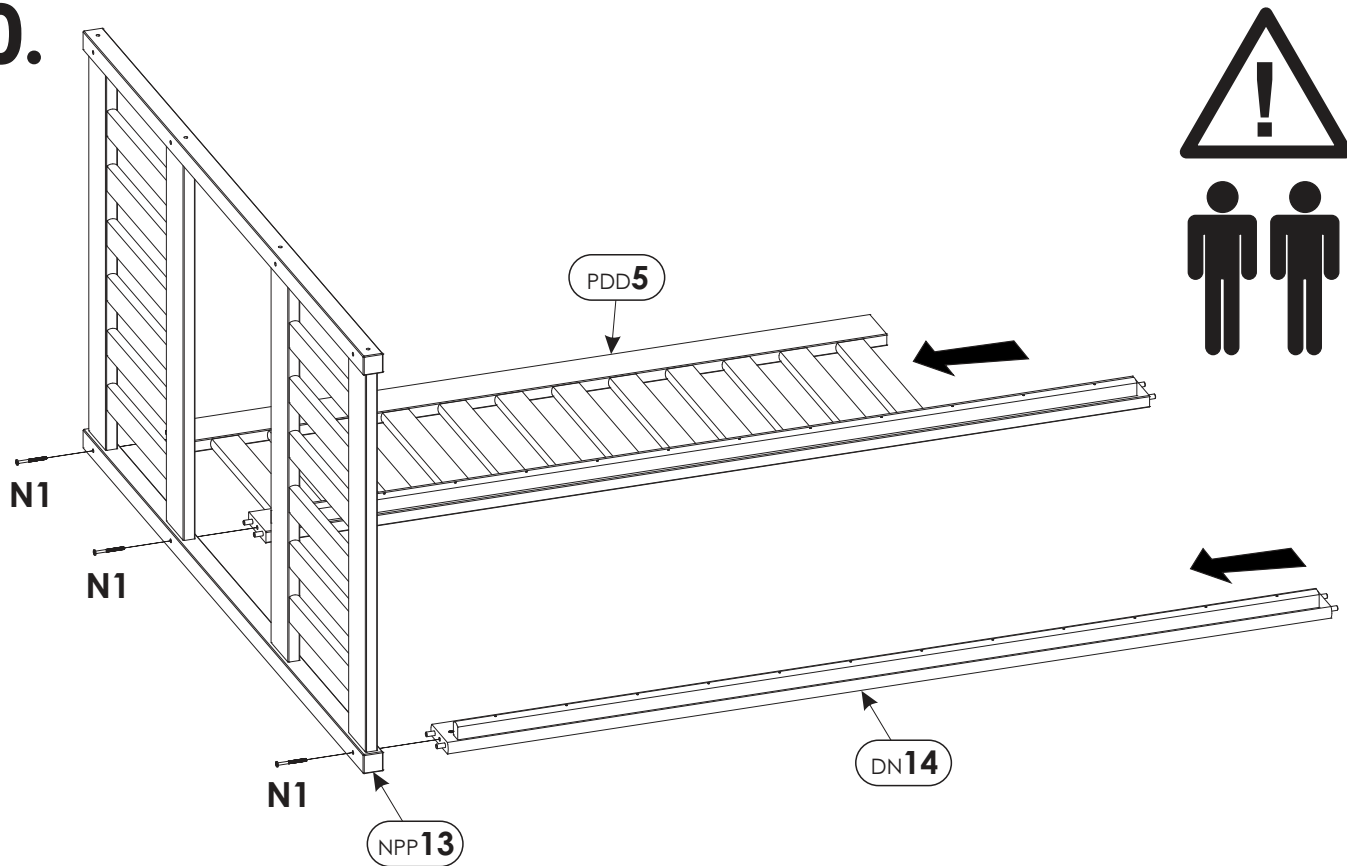
9.3



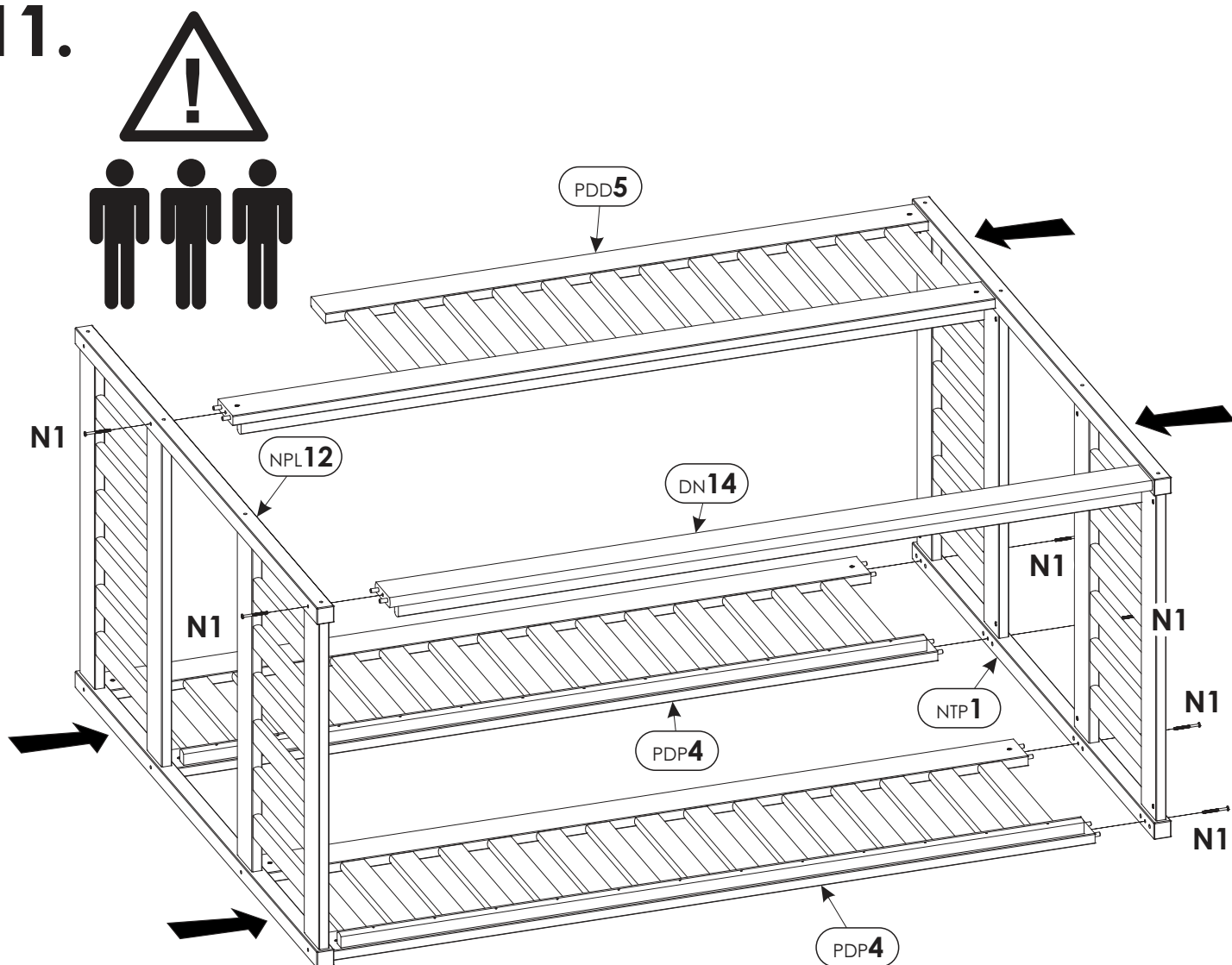
9.4



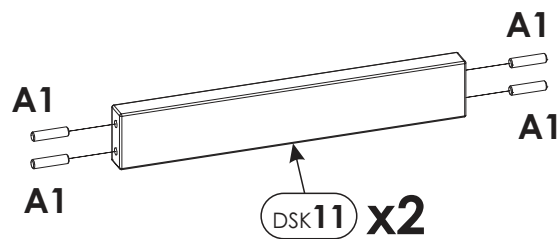
10.



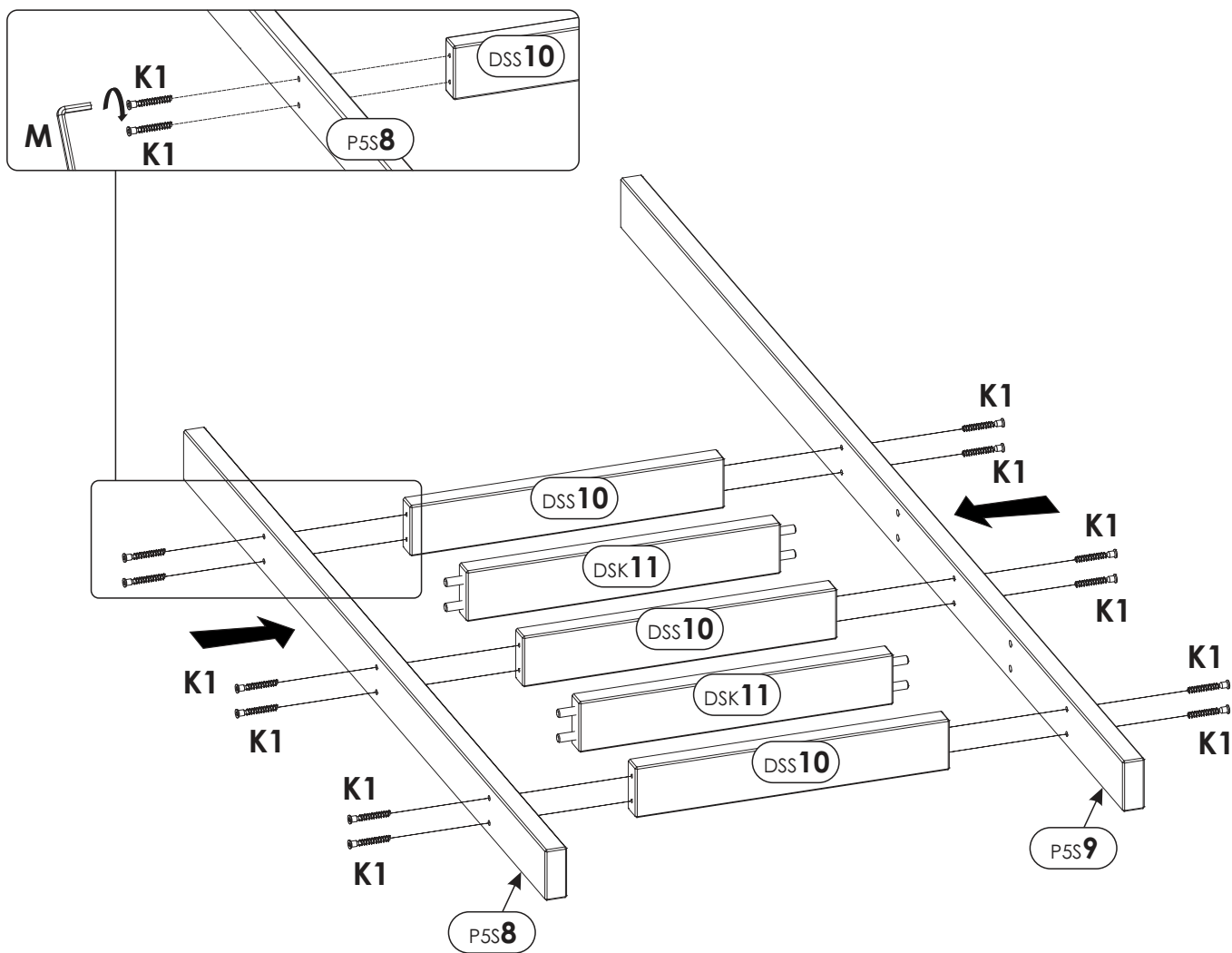
11.



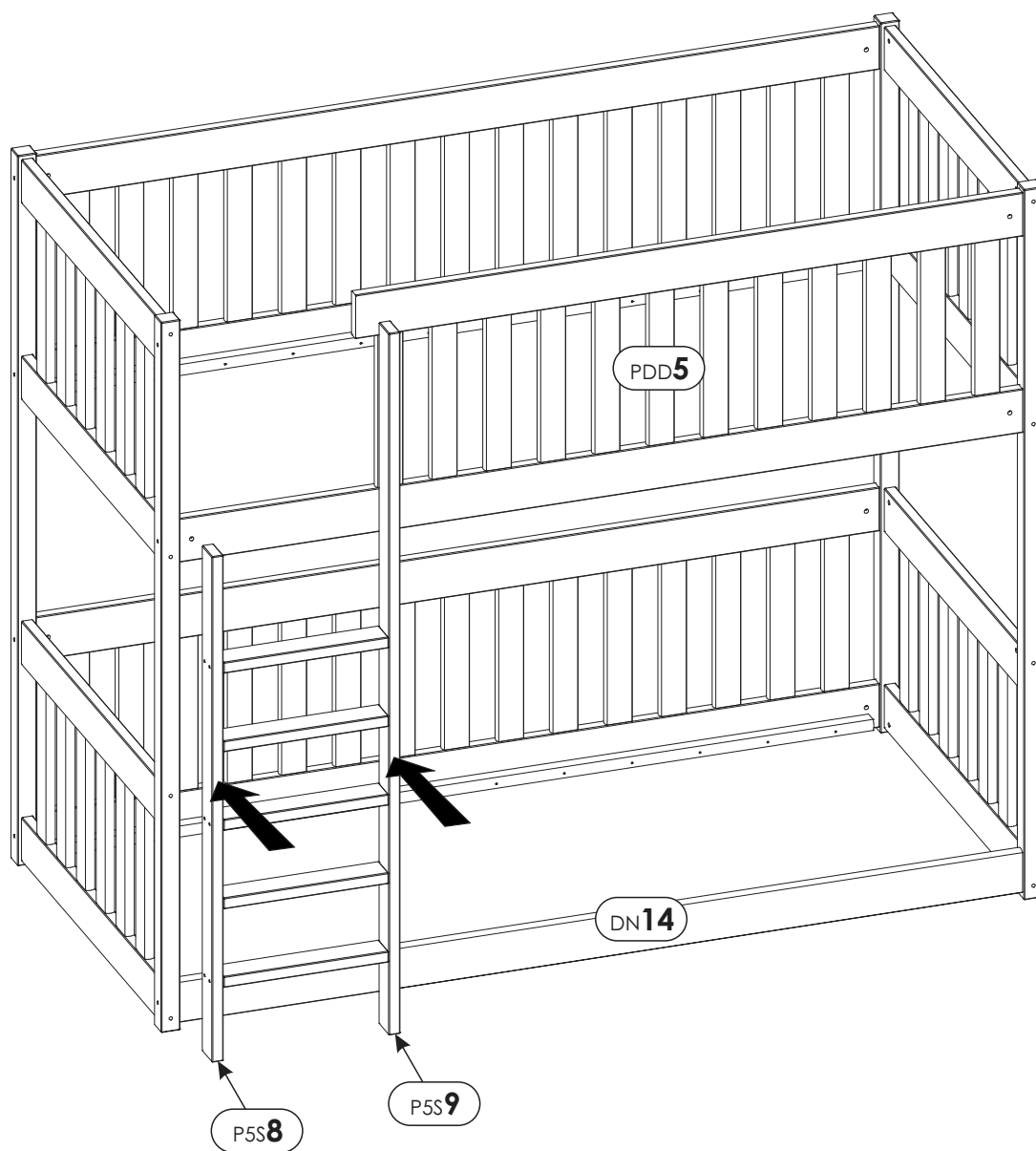
12.



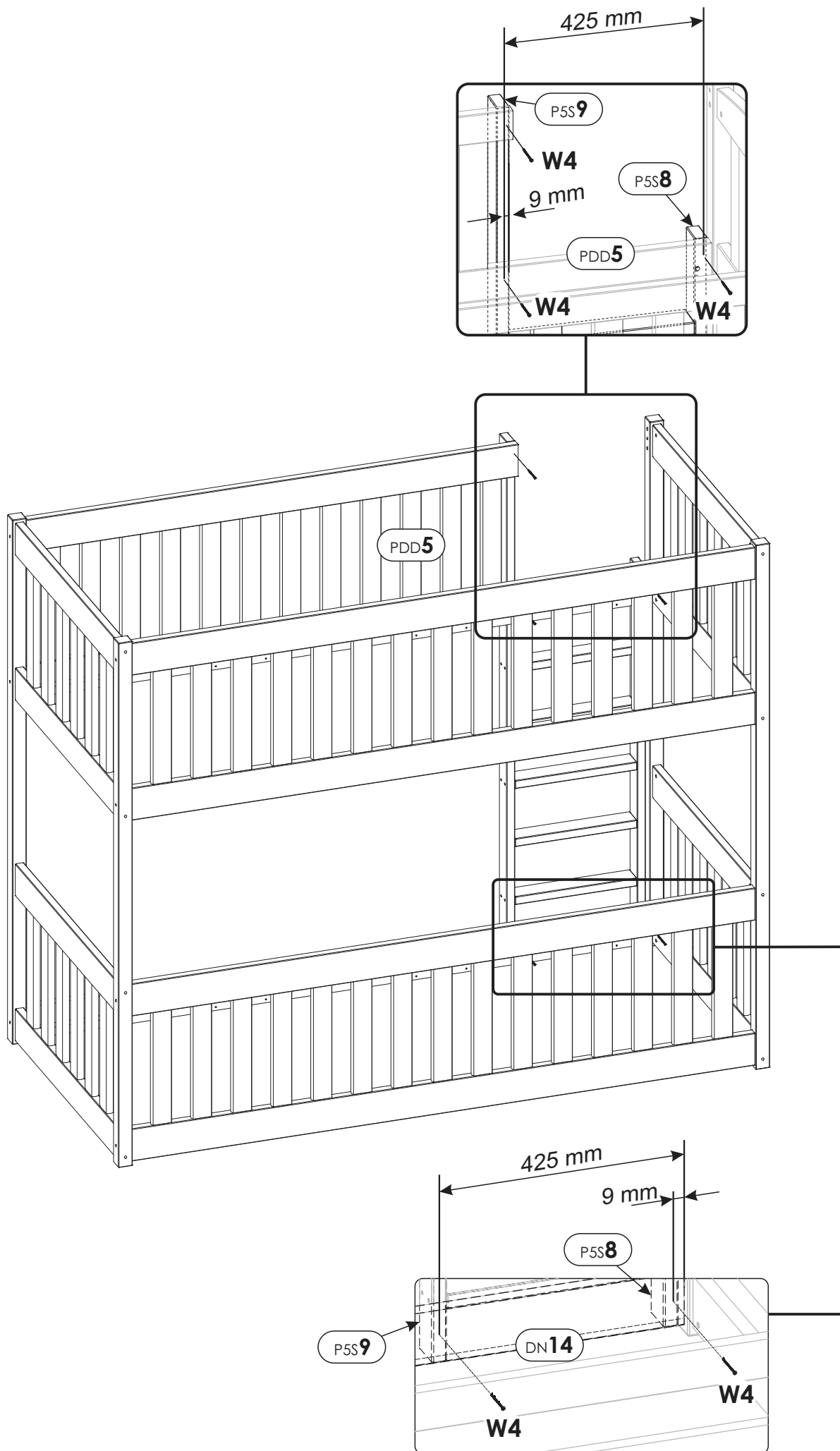
13.



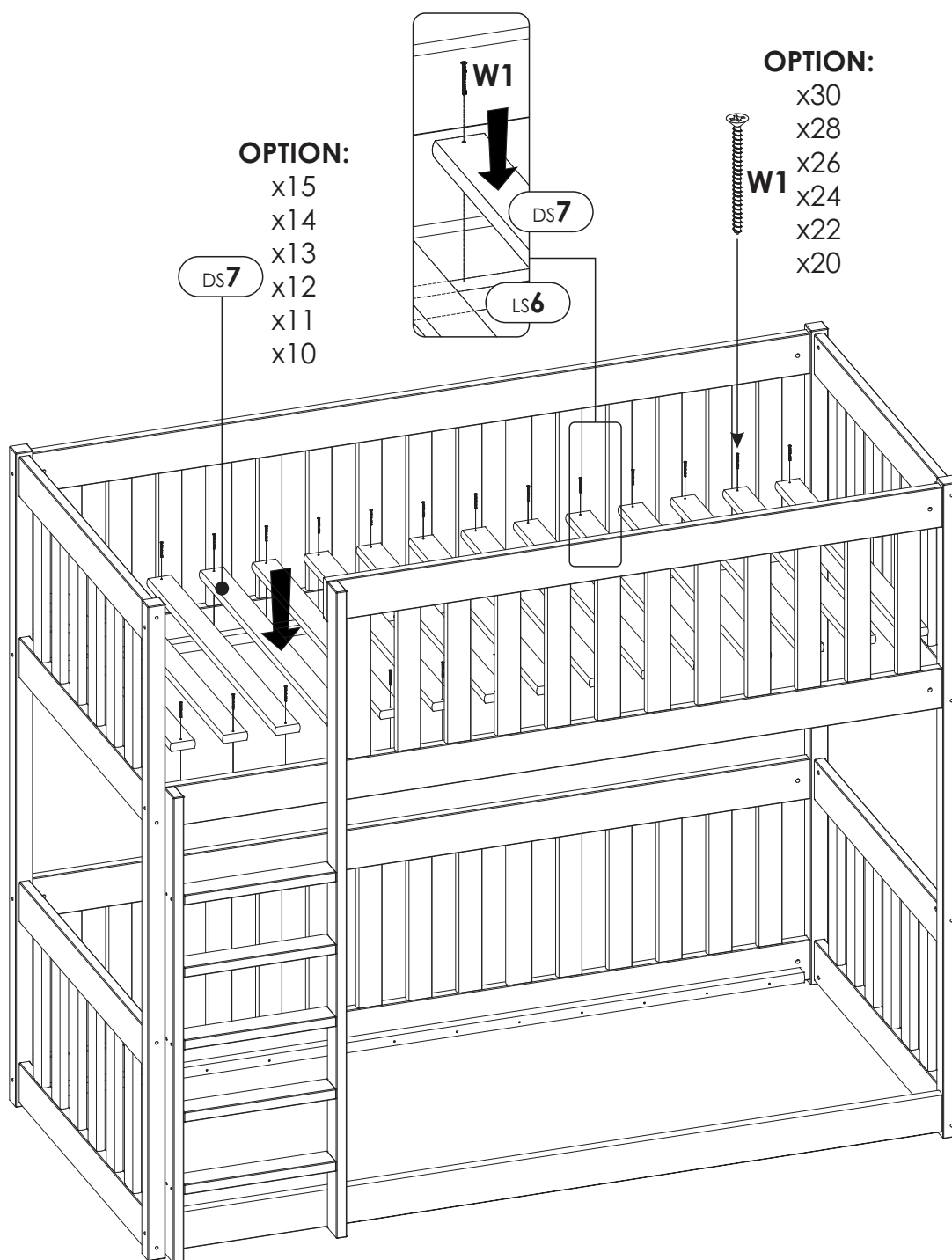
14.



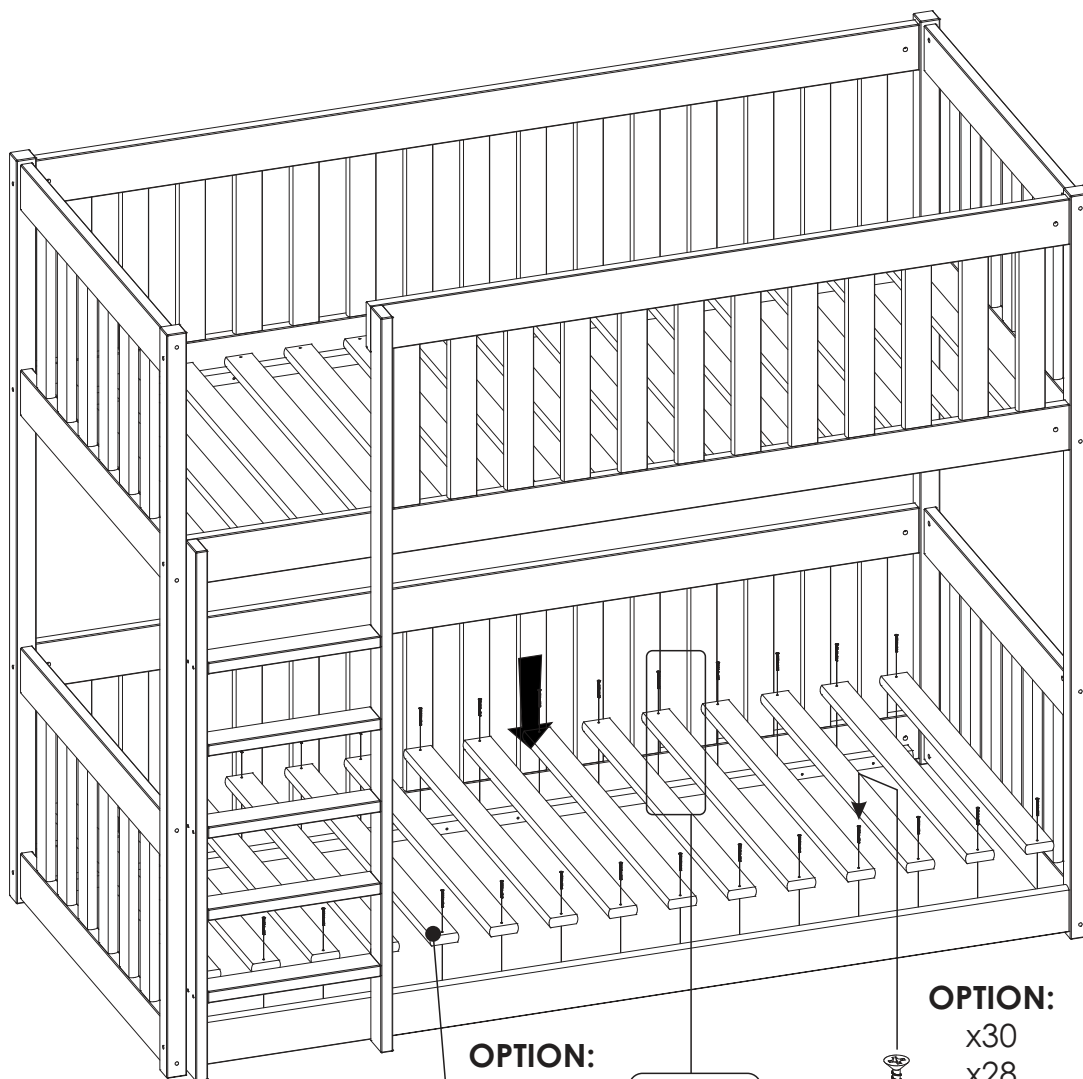
15.



16.

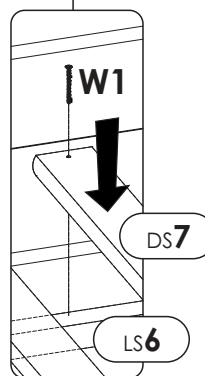


17.



OPTION:
x15
x14
x13
x12
x11
x10

DS7



OPTION:

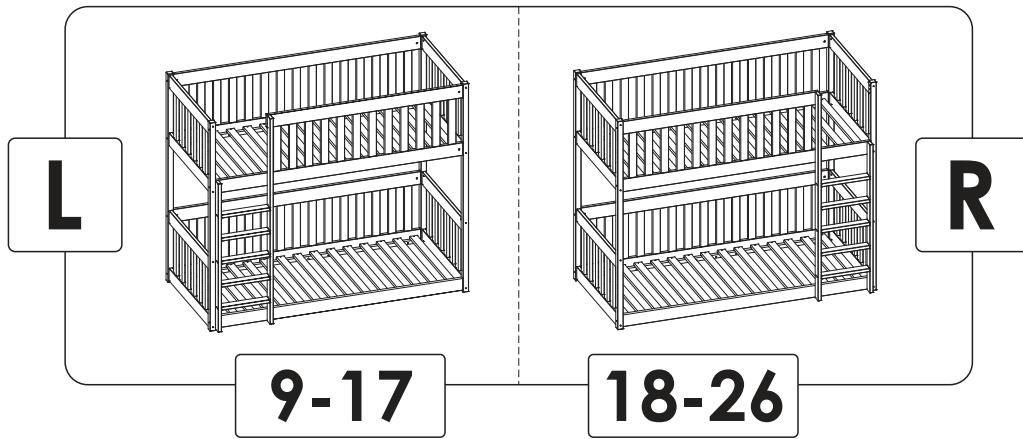
x30
x28
x26
x24
x22
x20



W1

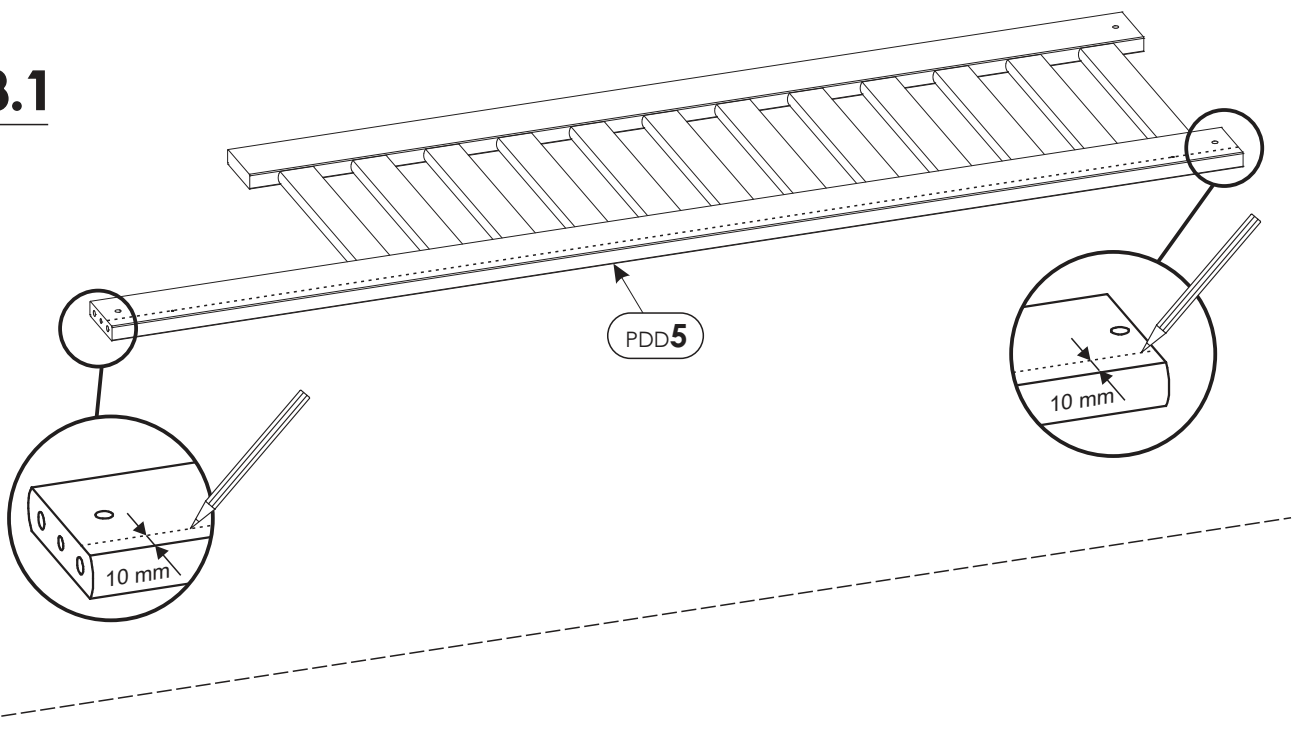
DS7

LS6

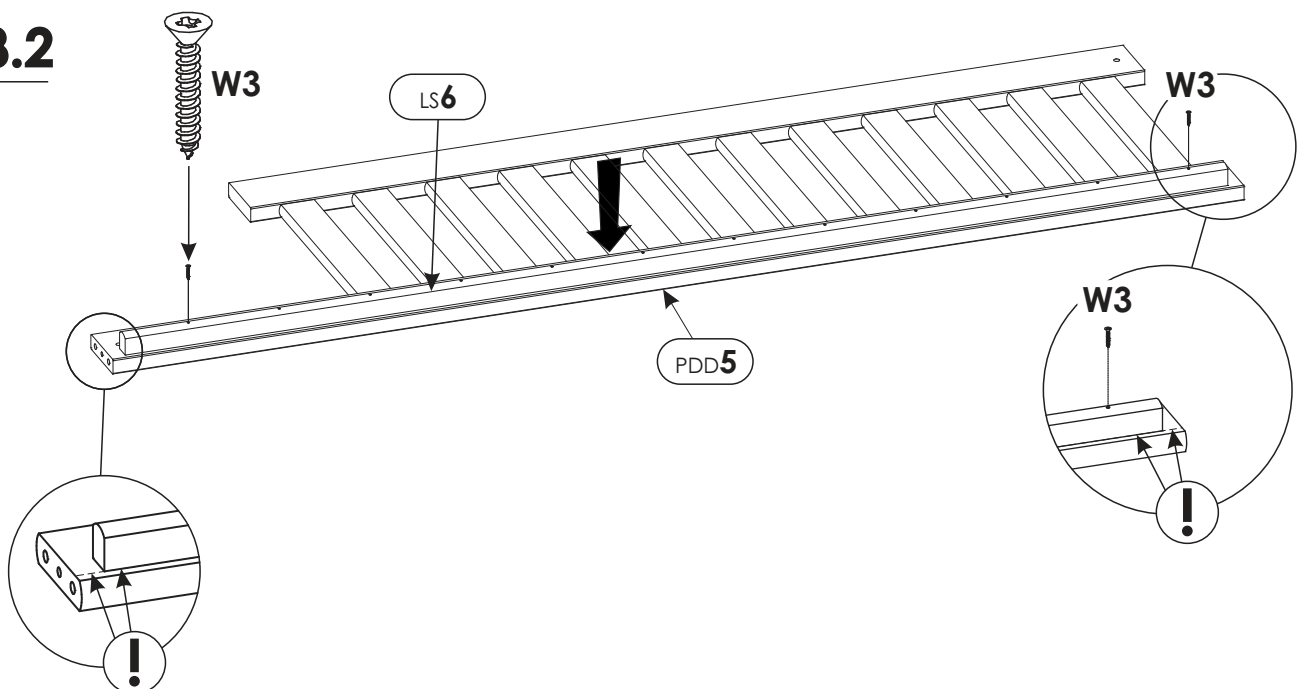


18.

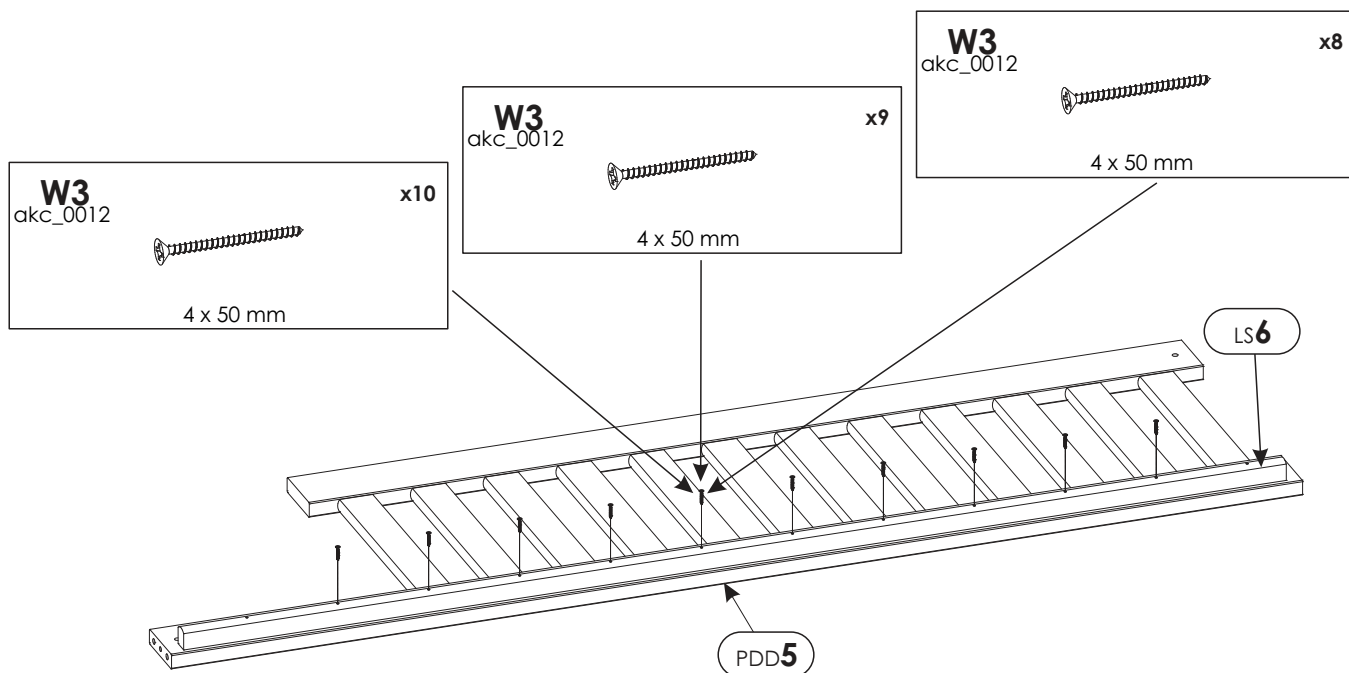
18.1



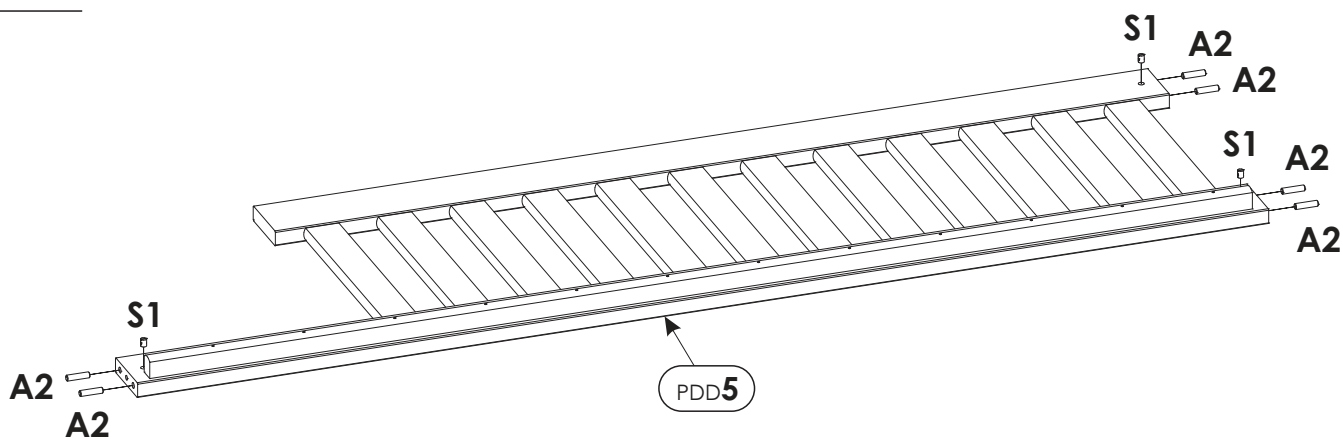
18.2



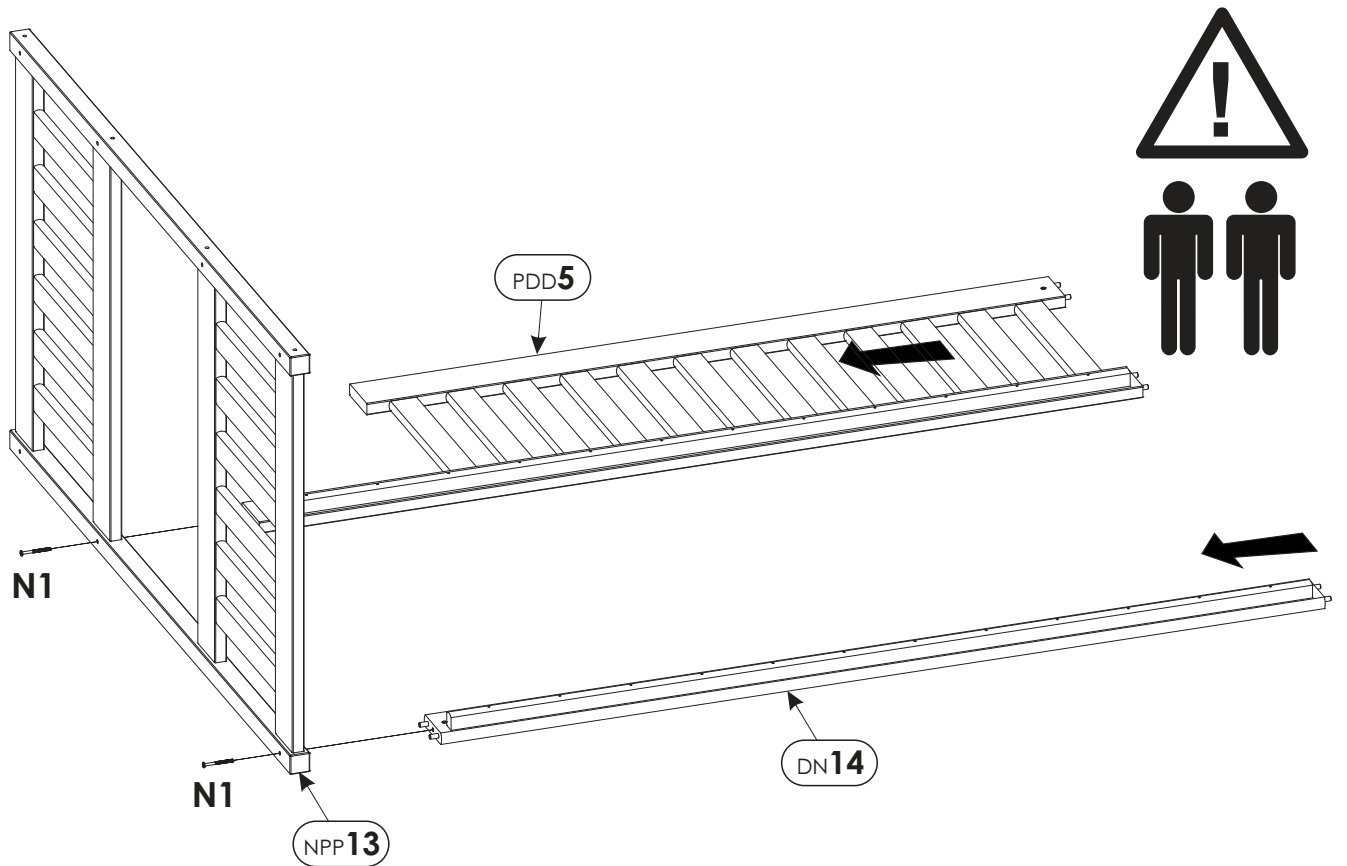
18.3



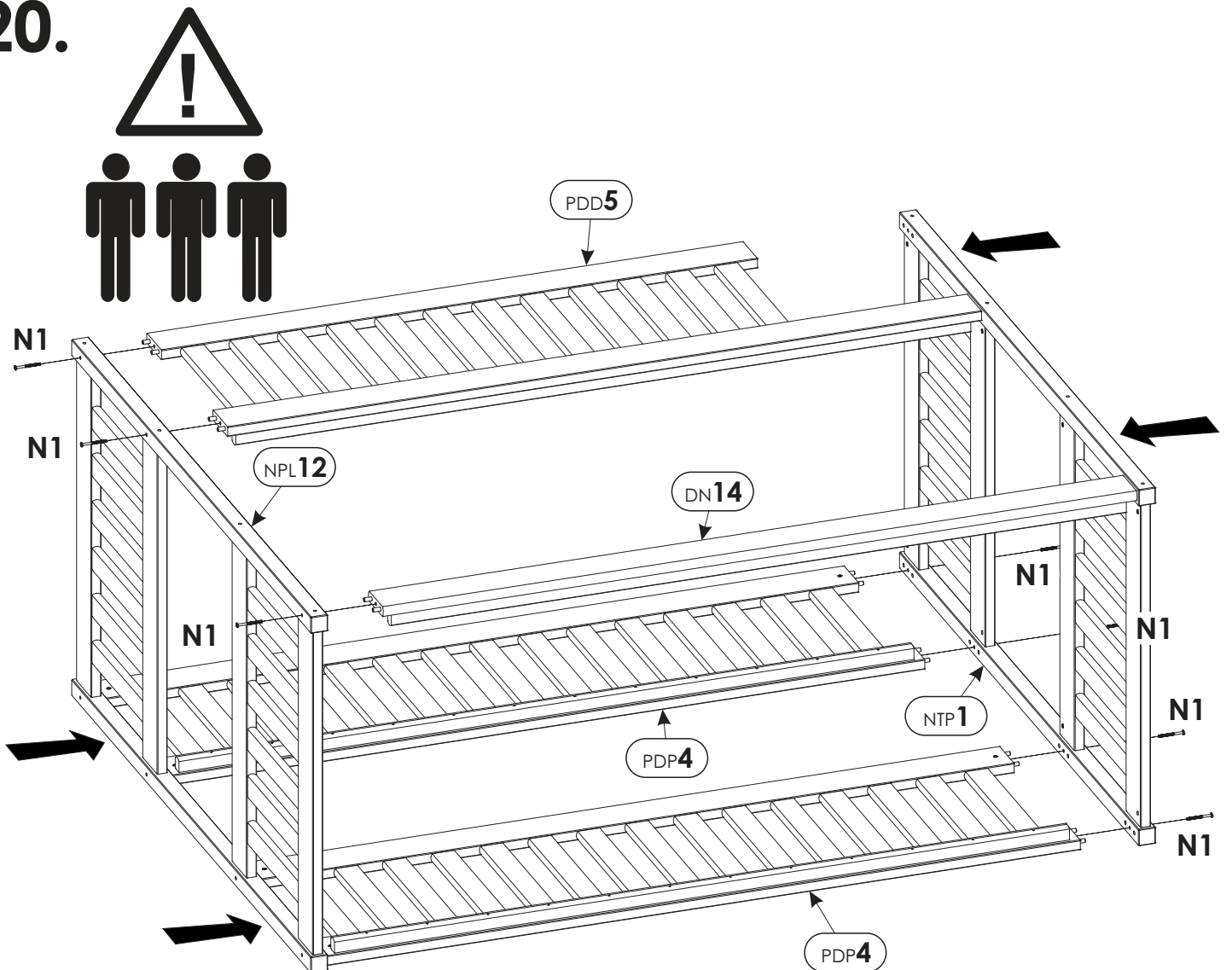
18.4



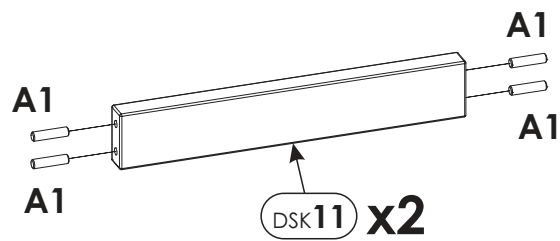
19.



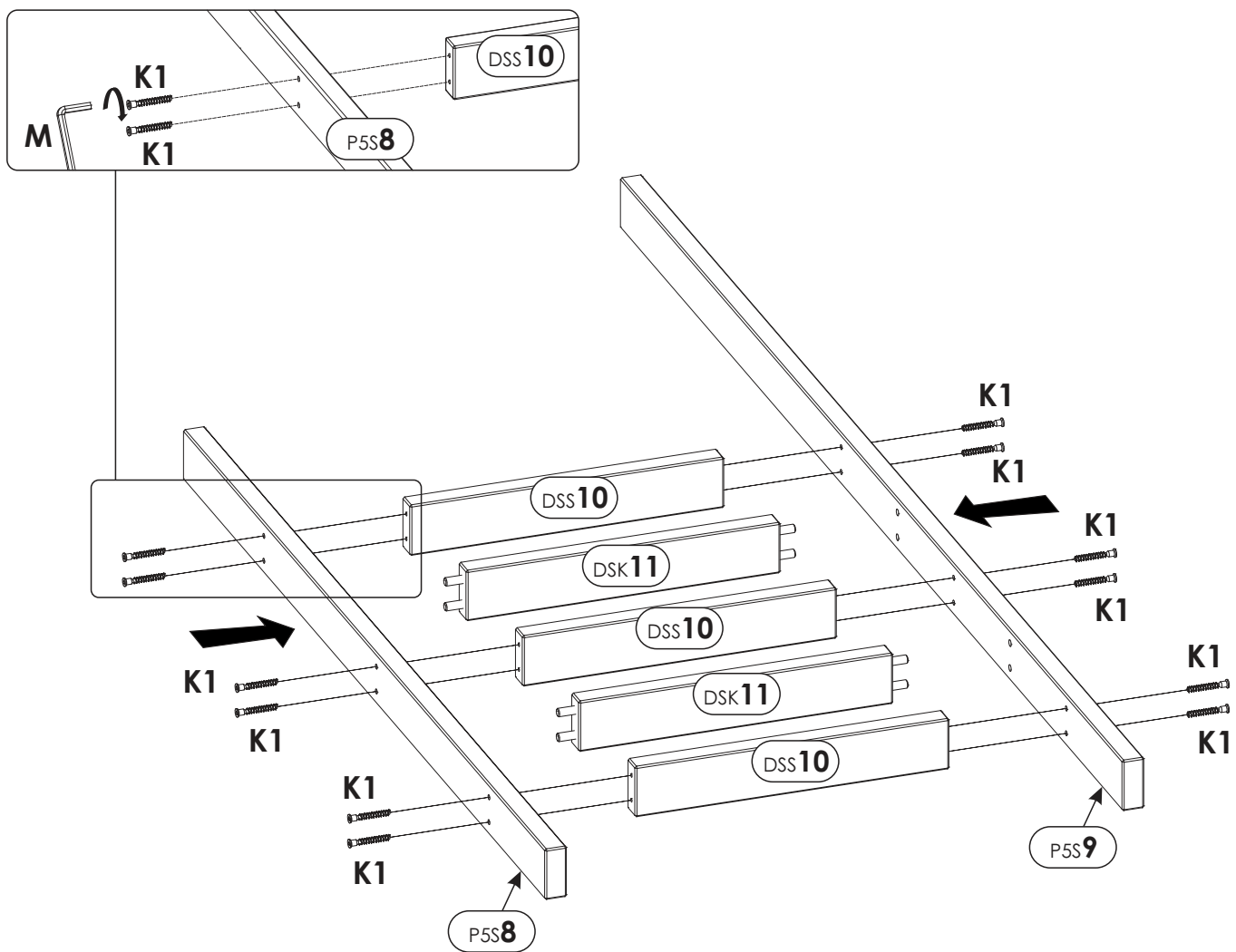
20.



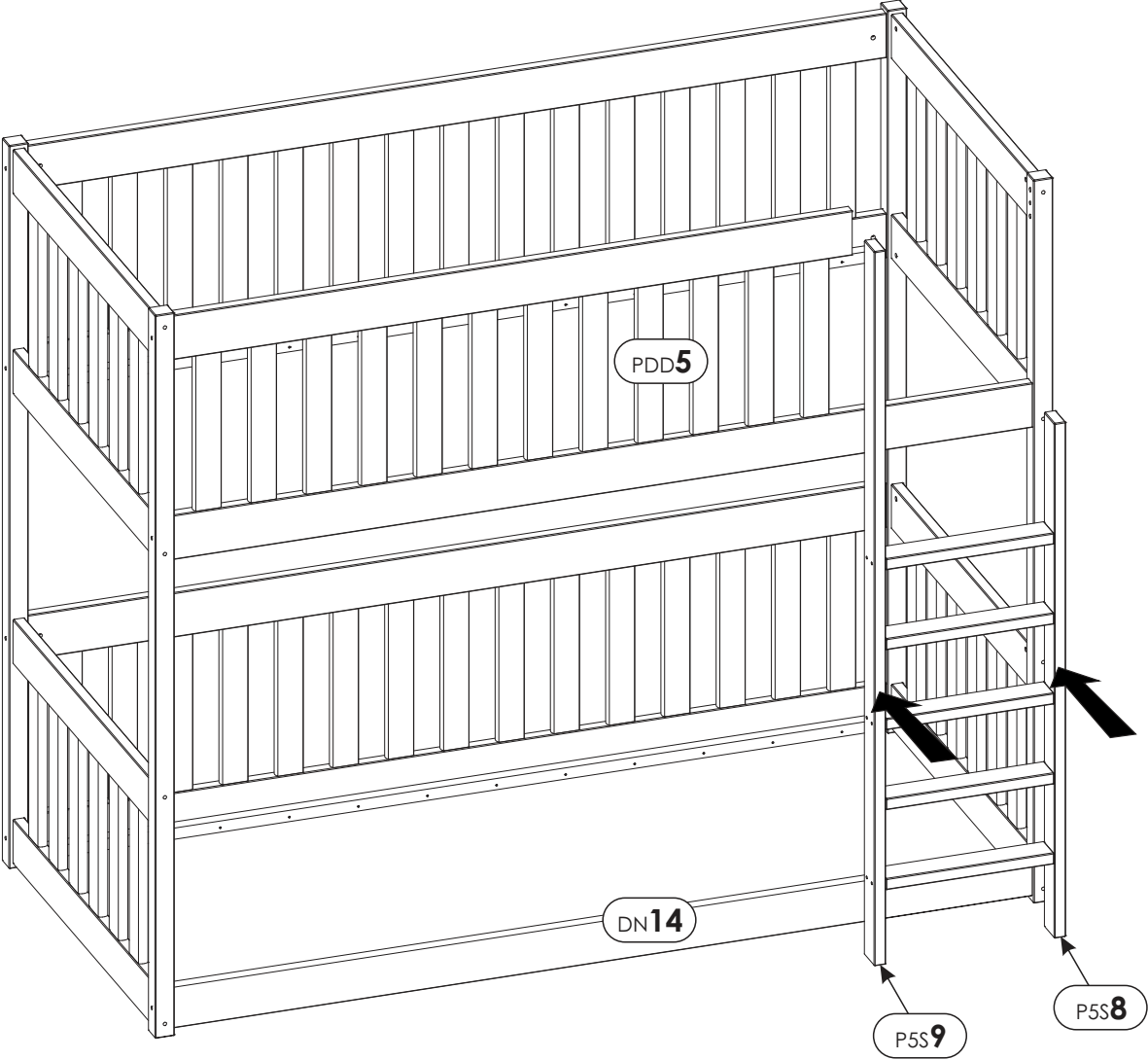
21.



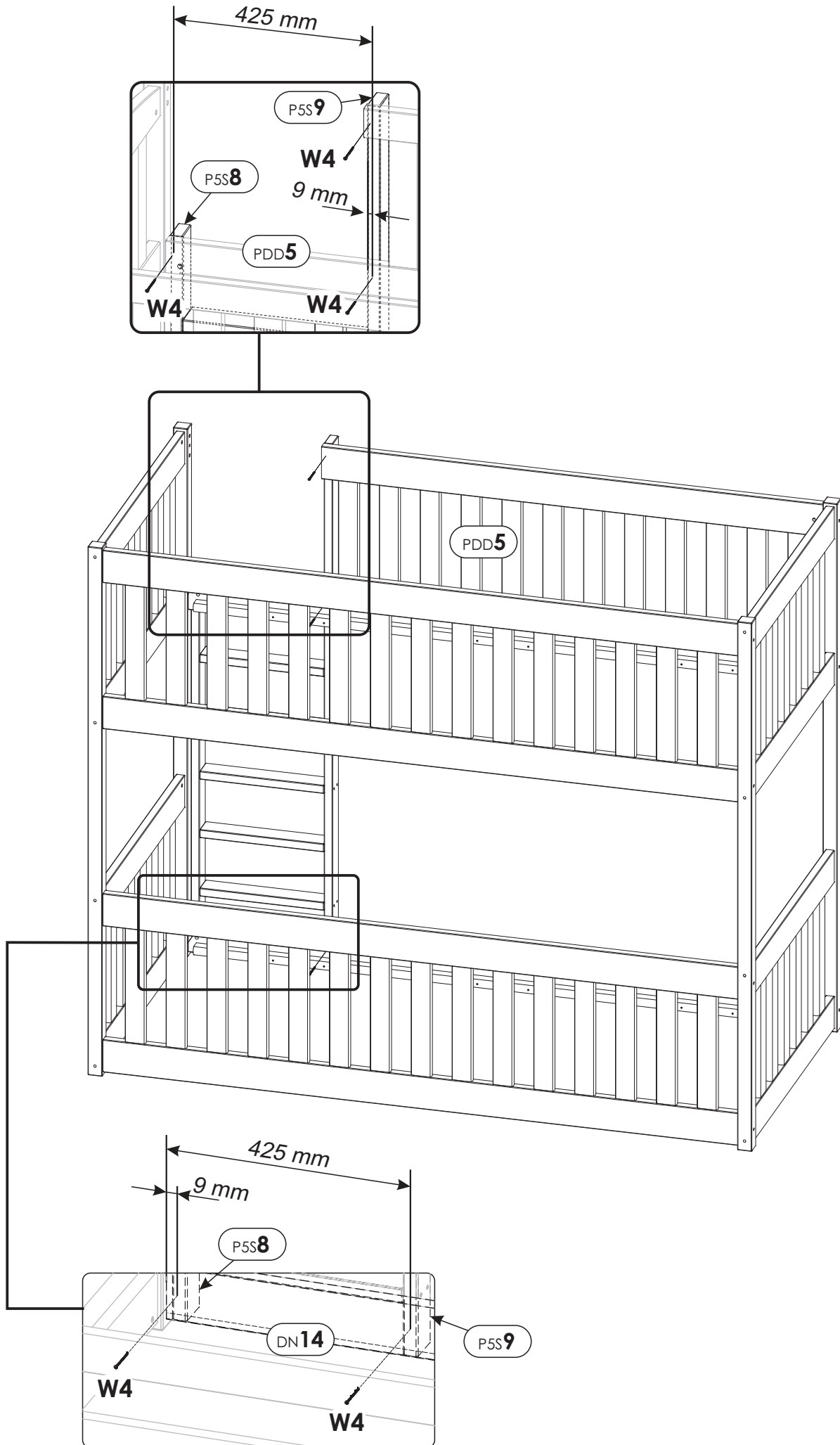
22.



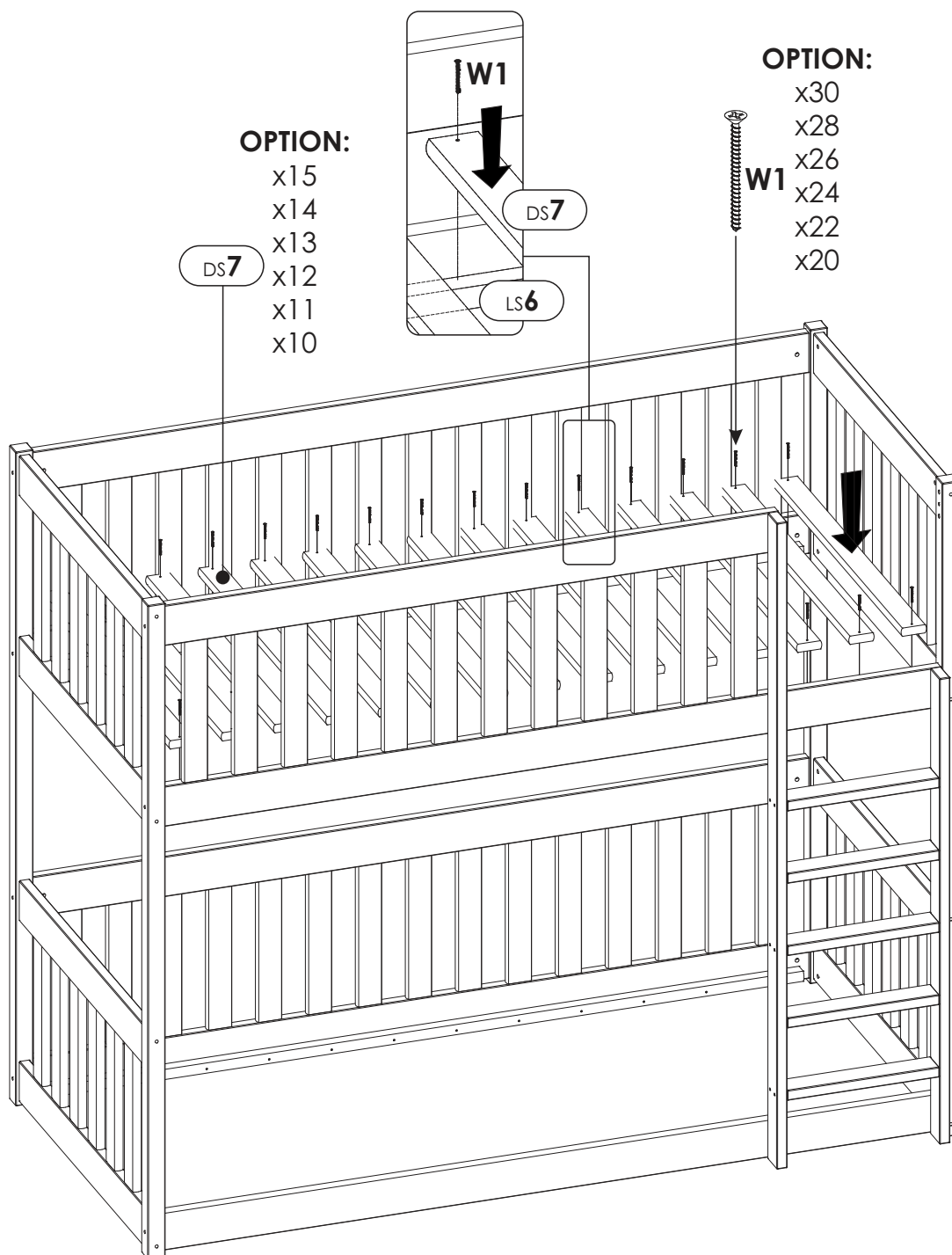
23.



24.



25.



26.

