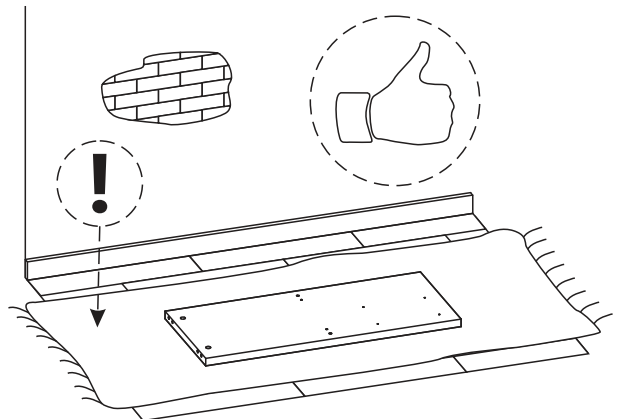
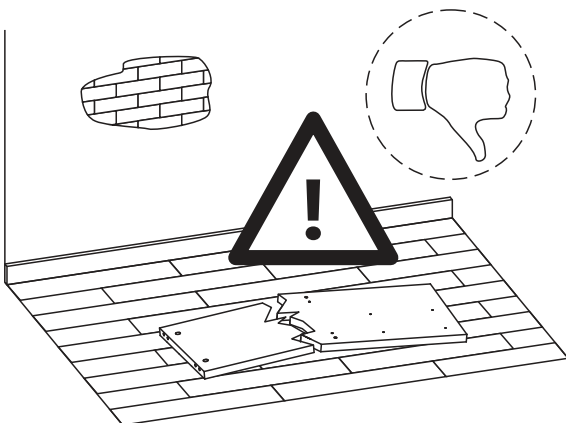
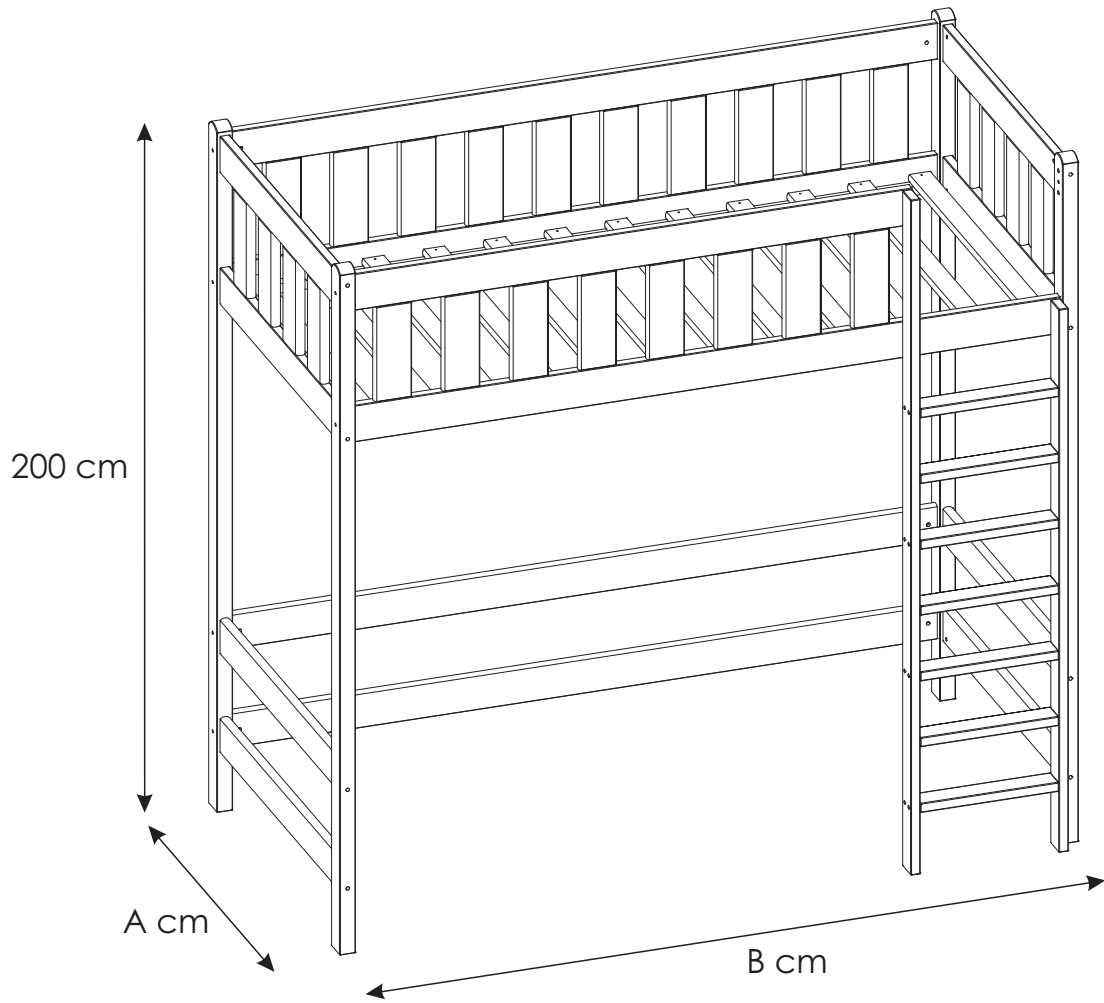
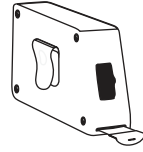
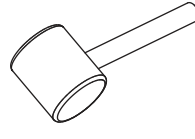
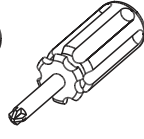
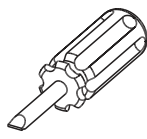
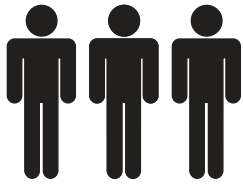
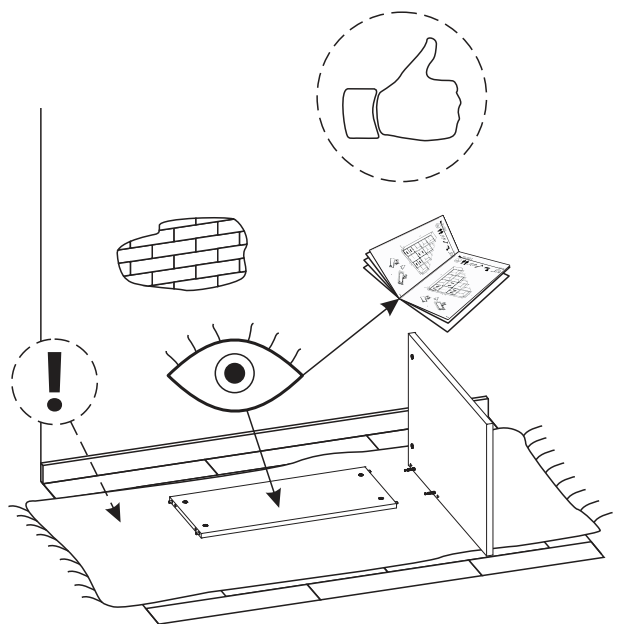
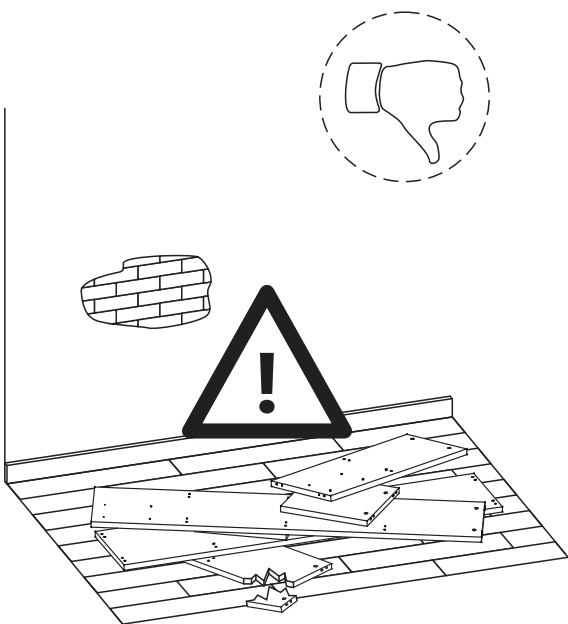
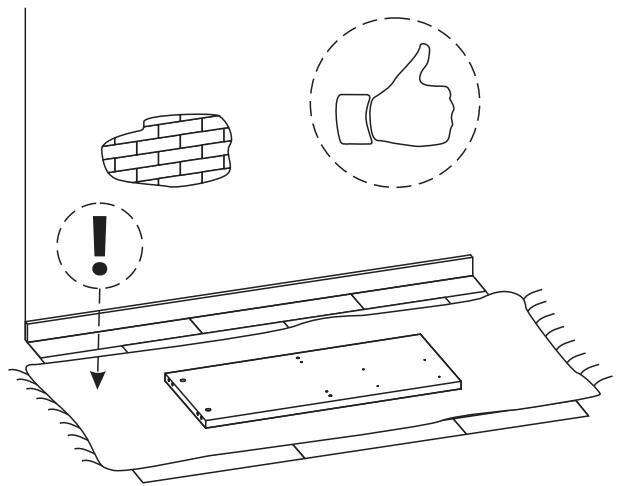
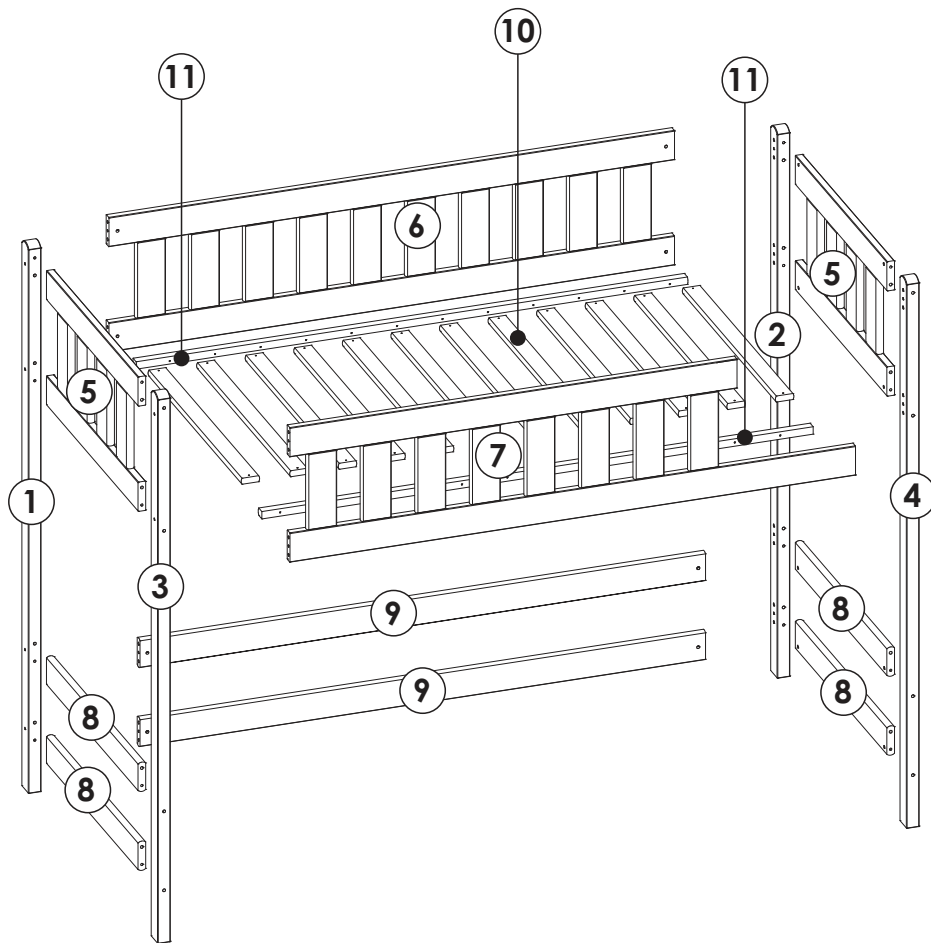
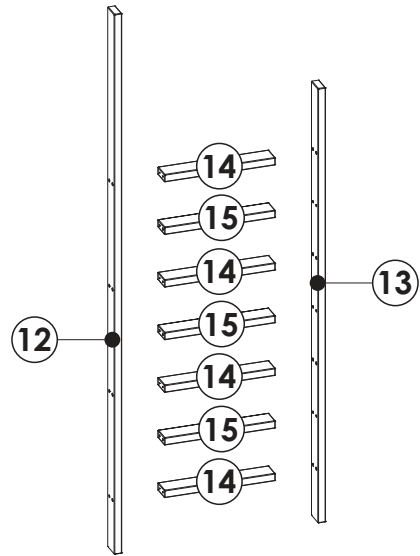
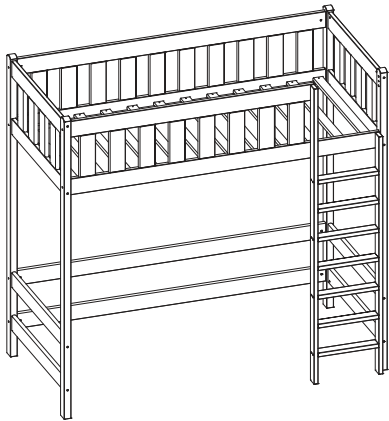


GABRIEL





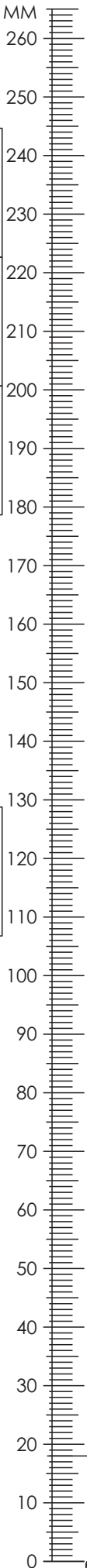
GABRIEL

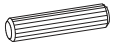
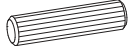

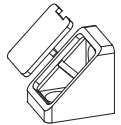


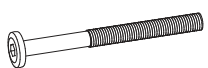





GABRIEL


GTL 1	2000	65	45	x1	GNTL_00870
GTP 2	2000	65	45	x1	GNTP_00880
GPL 3	2000	65	45	x1	GNPL_00850
GPP 4	2000	65	45	x1	GNPP_00860
PB 5	685, 785, 885	491	27	x2	PSS_00980 DPS_01010
PTL 6	1390, 1590, 1690, 1790, 1890, 1990	491	27	x1	PSS_00980 DPSPDC_00970
PTP 7	1390, 1590, 1690, 1790, 1890, 1990	491	27	x1	PSS_00980 DPSPDC_00990 DPSDD__01000
DST 8	685, 785, 885	107	27	x4	DST_00120
DN 9	1390, 1590, 1690, 1790, 1890, 1990	107	27	x2	DN_00110
LS 11	1340, 1540, 1640, 1740, 1840, 1940	35	27	x2	LS_00160
DP7 12	1585	65	27	x1	DDDP7S_00960
DPS 13	1970	65	27	x1	DDDP7S_00960
DSS 14	390	65	27	x4	DSS_00210
DSK 15	390	65	27	x3	DSK_00220


GABRIEL



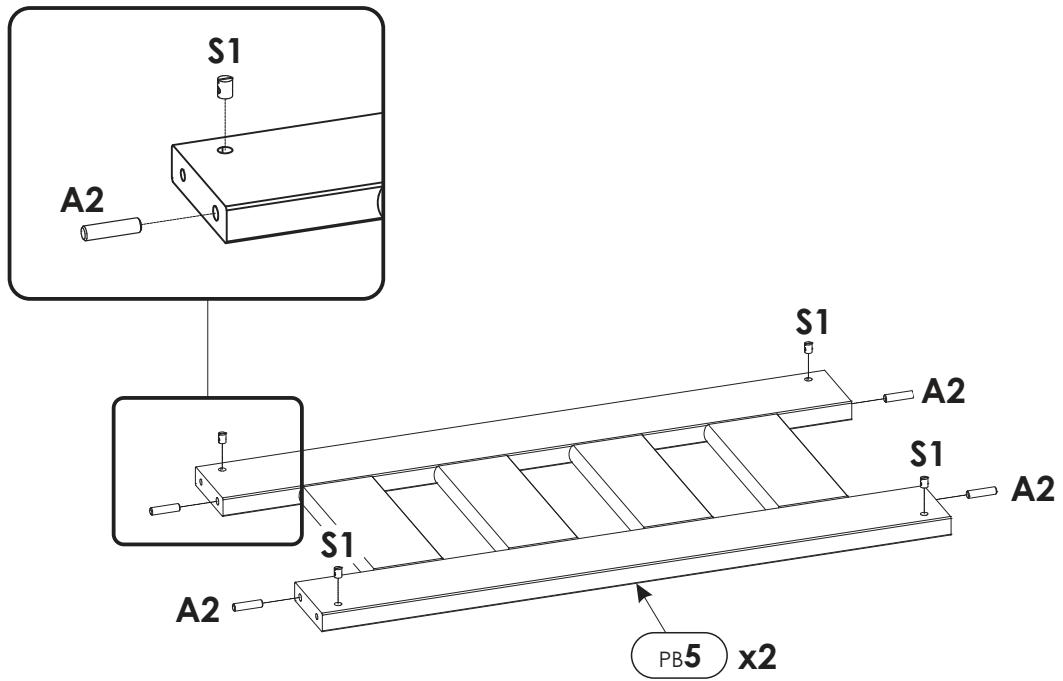
<p>A1 akc_0001</p>  <p>8 x 35 mm</p> <p style="text-align: right;">x12</p>	<p>A2 akc_0002</p>  <p>10 x 40 mm</p> <p style="text-align: right;">x38</p>	<p>K1 akc_0004</p>  <p>6,4 x 50 mm</p> <p style="text-align: right;">x16</p>
<p>K2 akc_0019</p>  <p>24 x 24 x 20 mm</p> <p style="text-align: right;">x4</p>	<p>M akc_0005</p>  <p style="text-align: right;">x1</p>	<p>N1 akc_0006</p>  <p>6 x 80 mm</p> <p style="text-align: right;">x11</p>
<p>N2 akc_0007</p>  <p>6 x 100 mm</p> <p style="text-align: right;">x16</p>	<p>S1 akc_0008</p>  <p>10 x 16 mm</p> <p style="text-align: right;">x27</p>	<p>W2 akc_0010</p>  <p>4 x 25 mm</p> <p style="text-align: right;">x8</p>
<p>W4 akc_0012</p>  <p>4 x 60 mm</p> <p style="text-align: right;">x3</p>		

----- **OPTION** -----

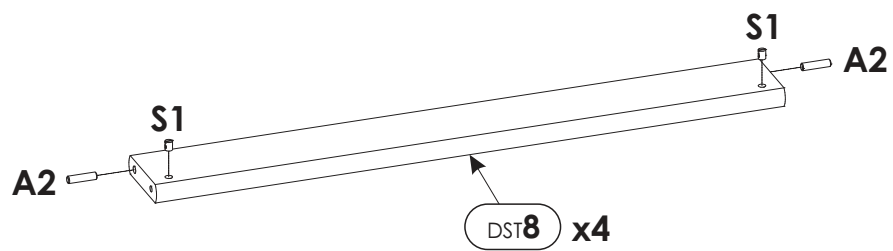
<p>W1 akc_0009</p>  <p>3,5 x 40 mm</p> <p style="text-align: right;">20 < x < 30</p>

<p>W3 akc_0011</p>  <p>4 x 50 mm</p> <p style="text-align: right;">20 < x < 24</p>

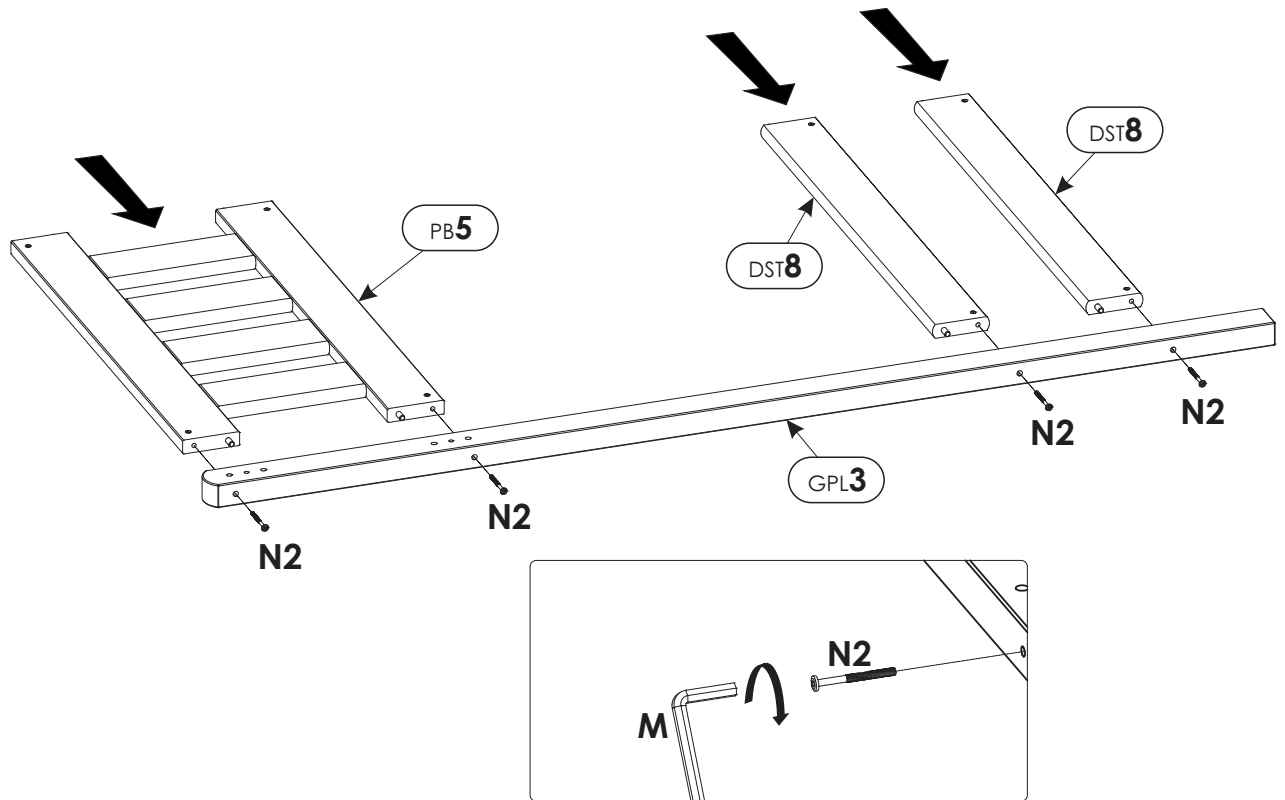
1.



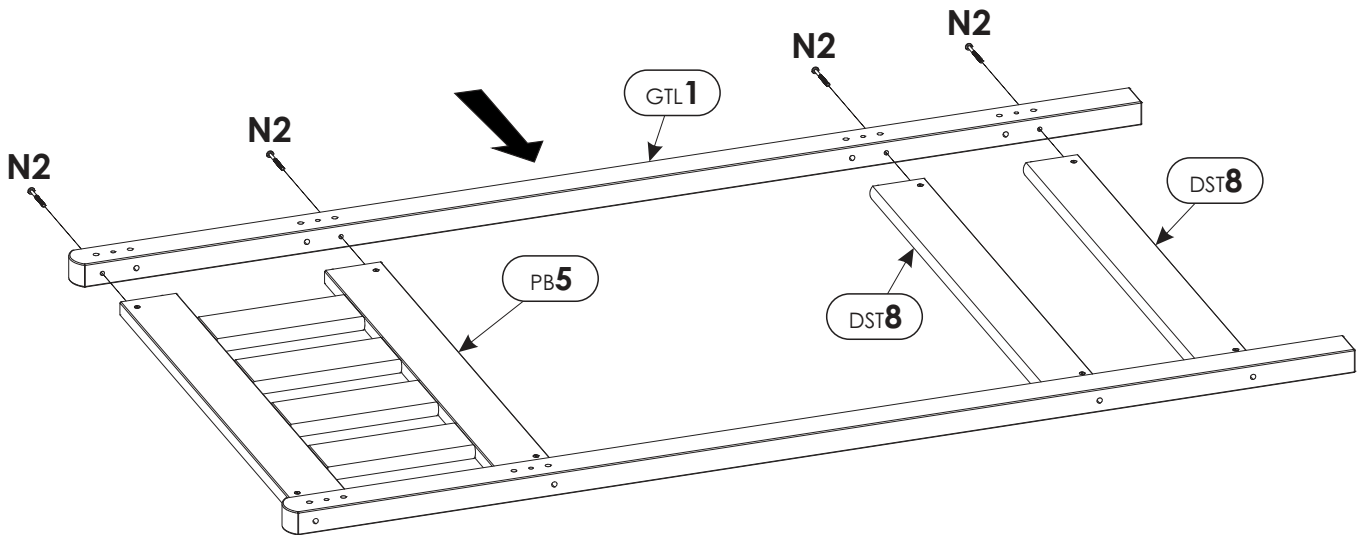
2.



3.

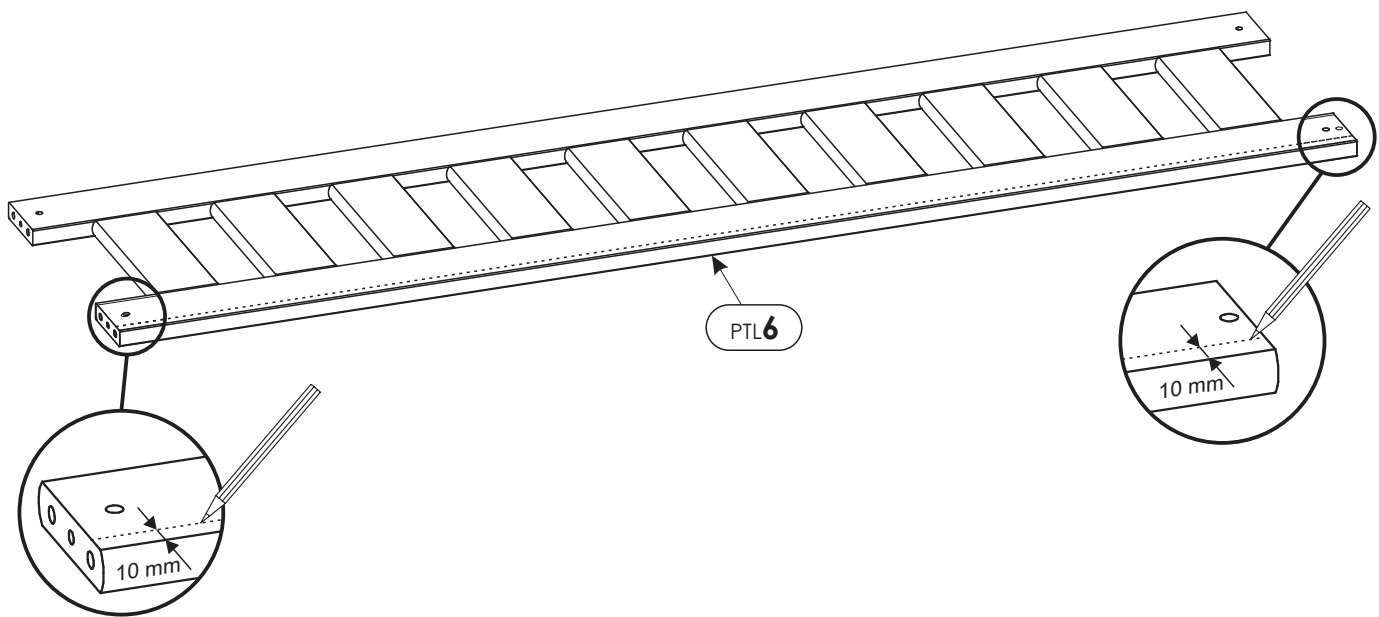


4.

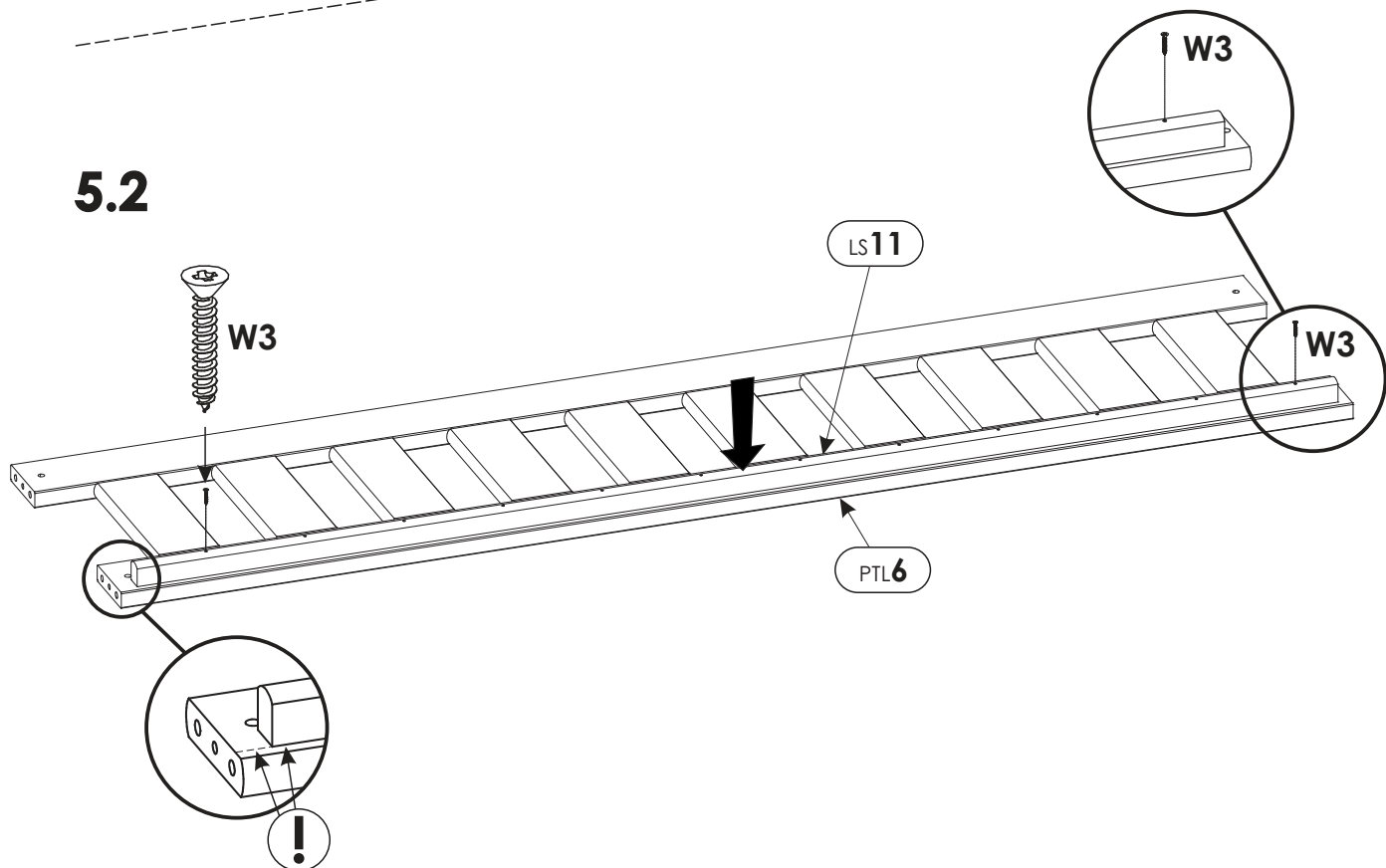


5.

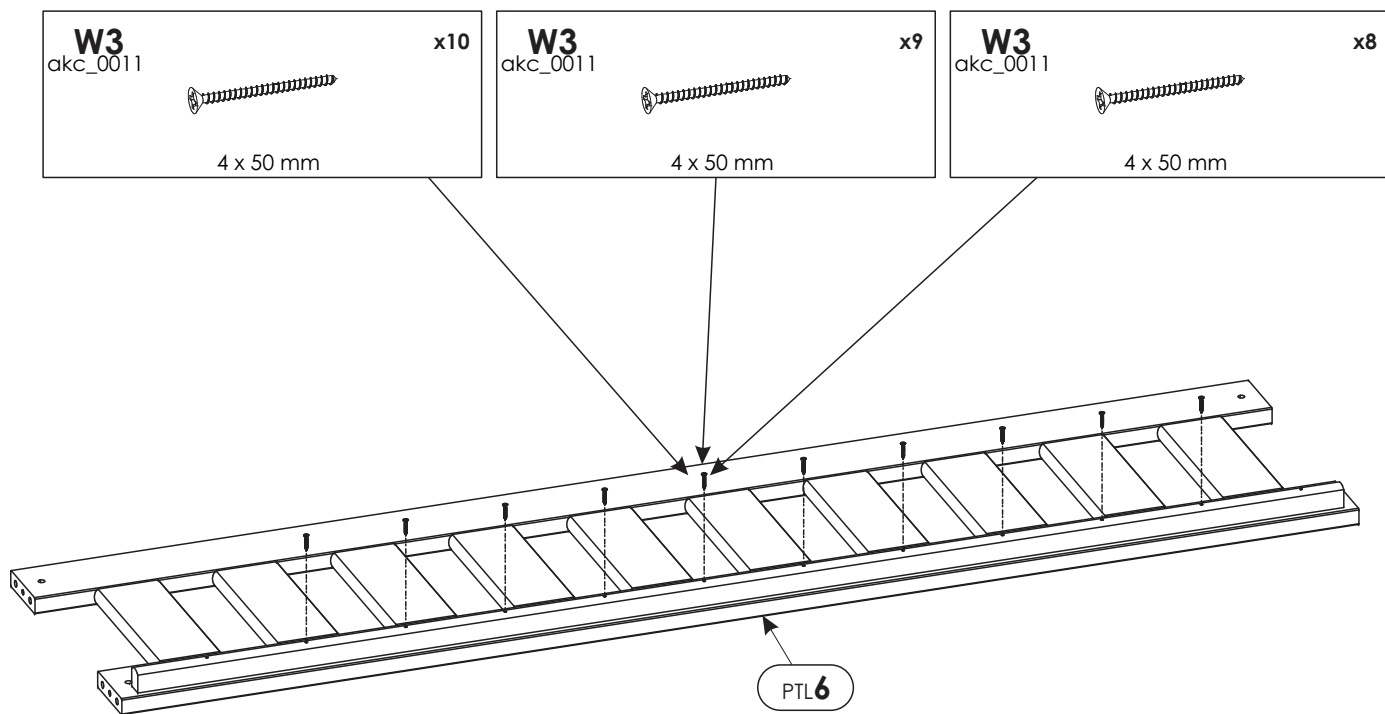
5.1



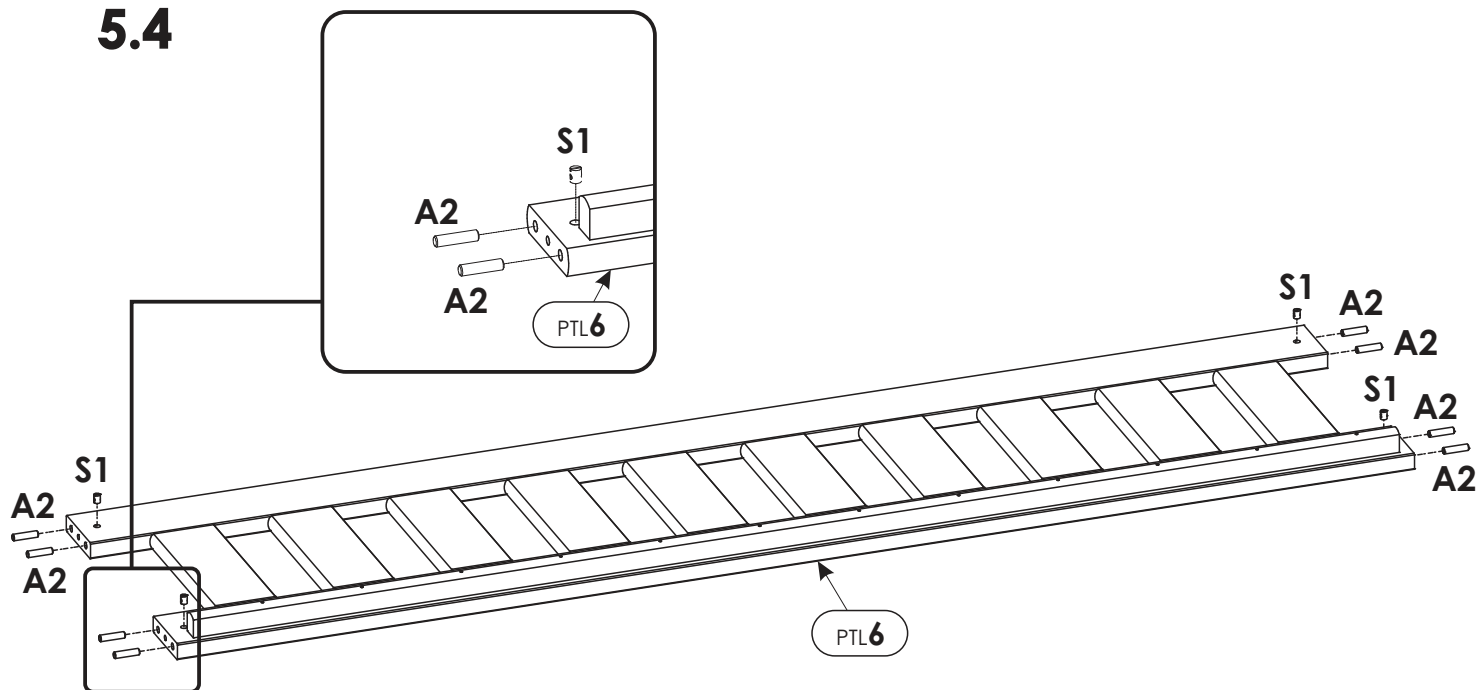
5.2



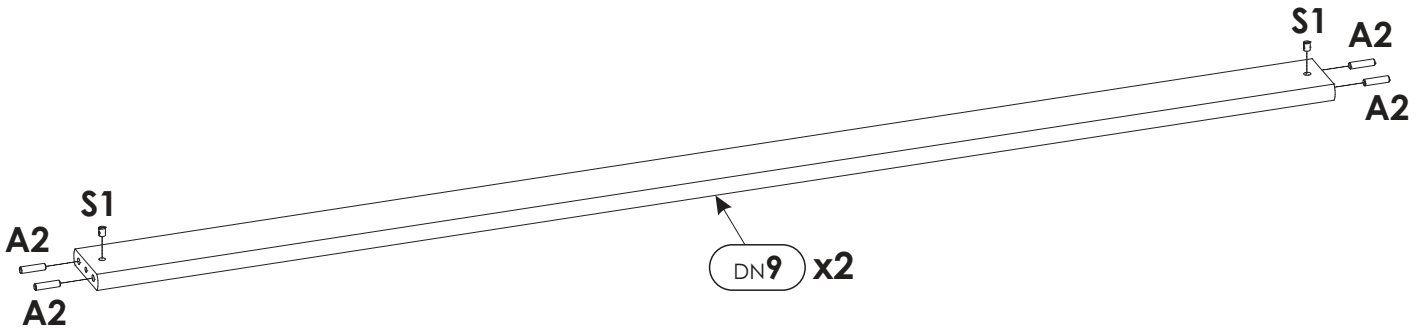
5.3

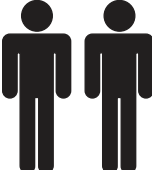


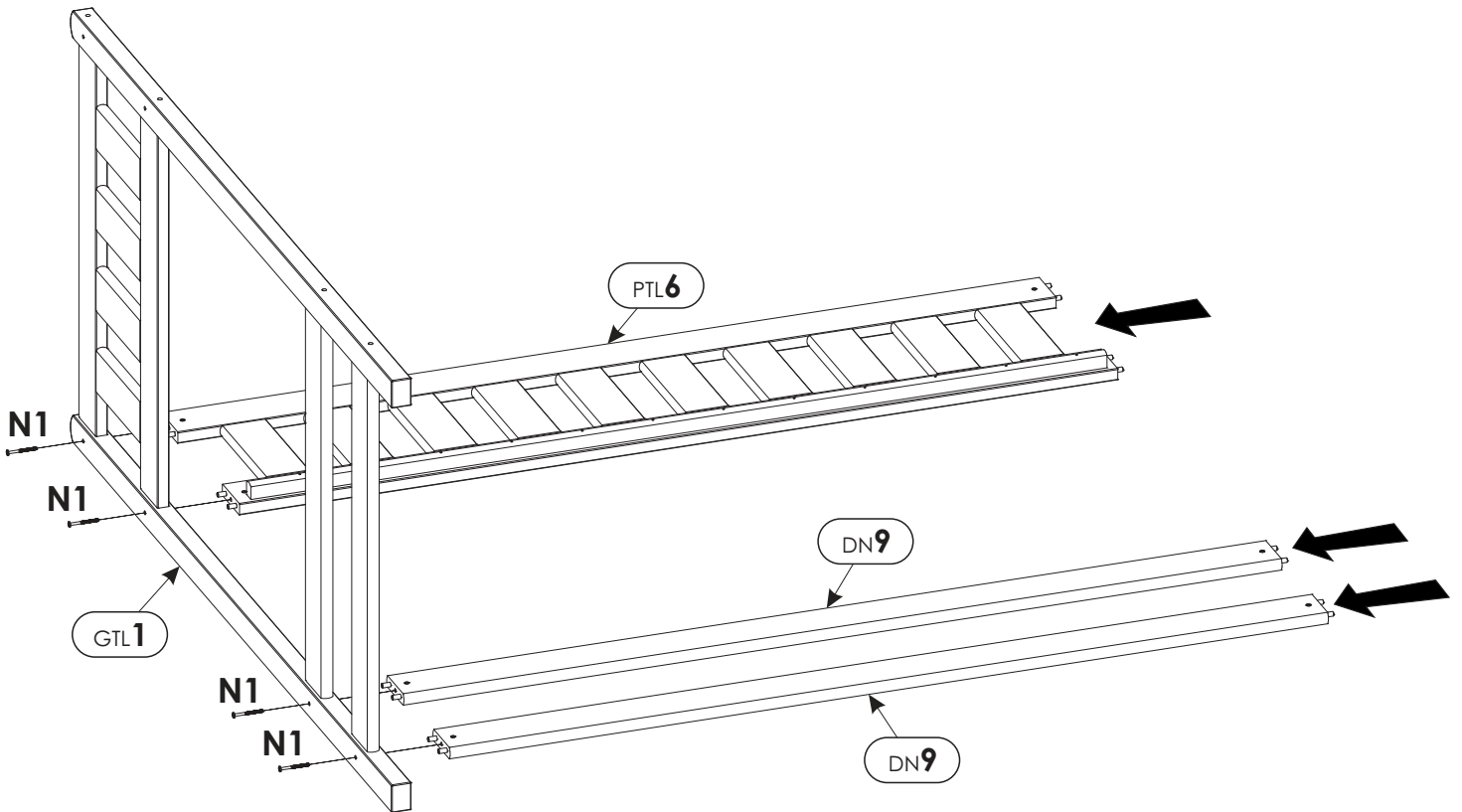
5.4



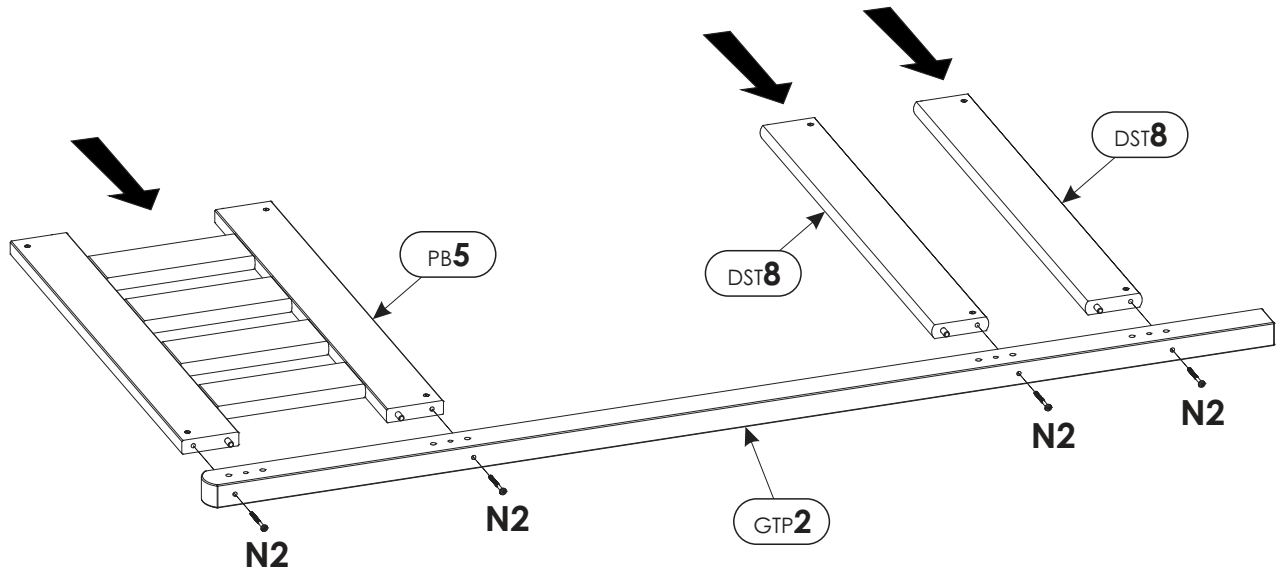
6.



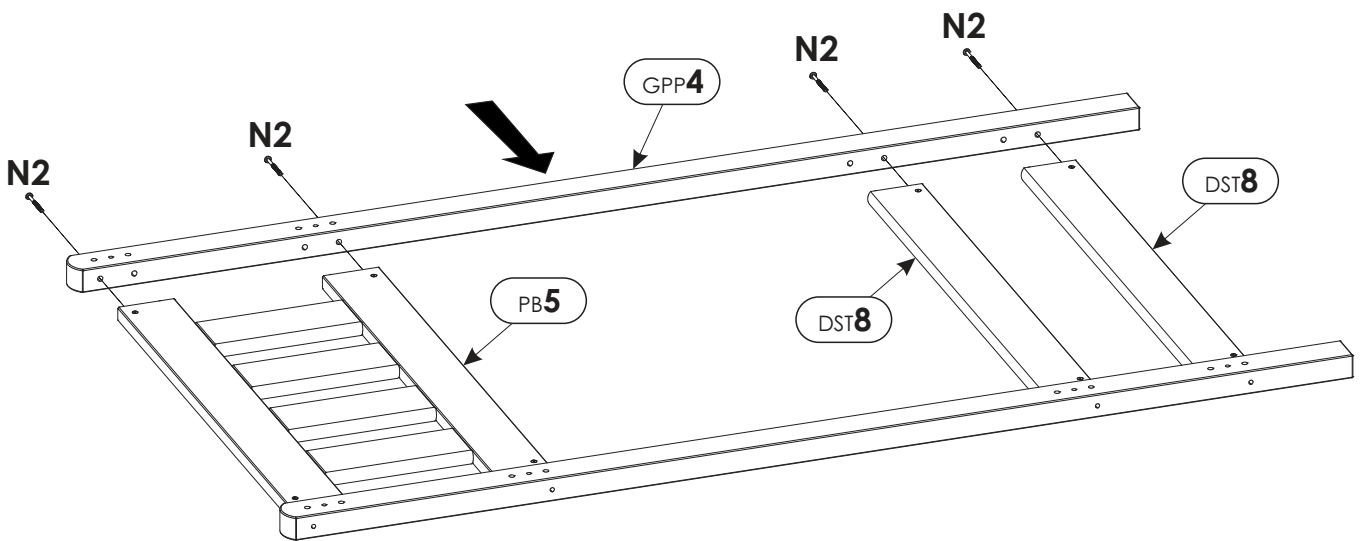
7. 



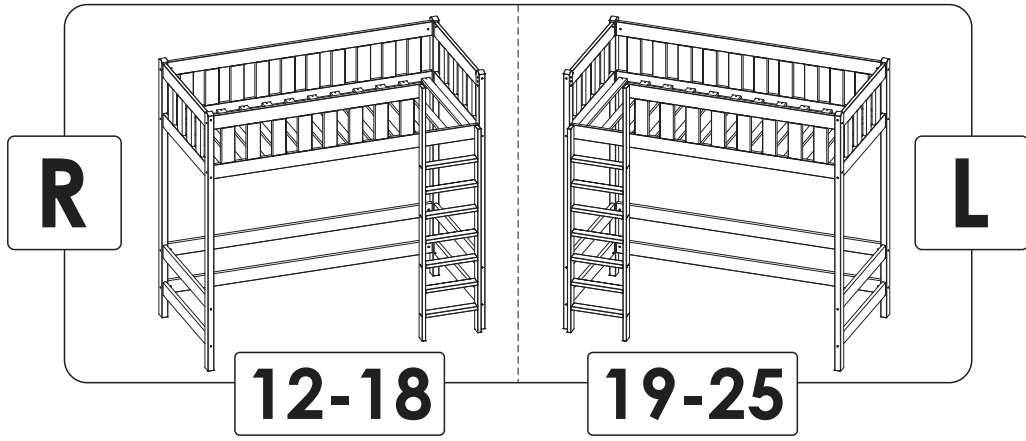
8.



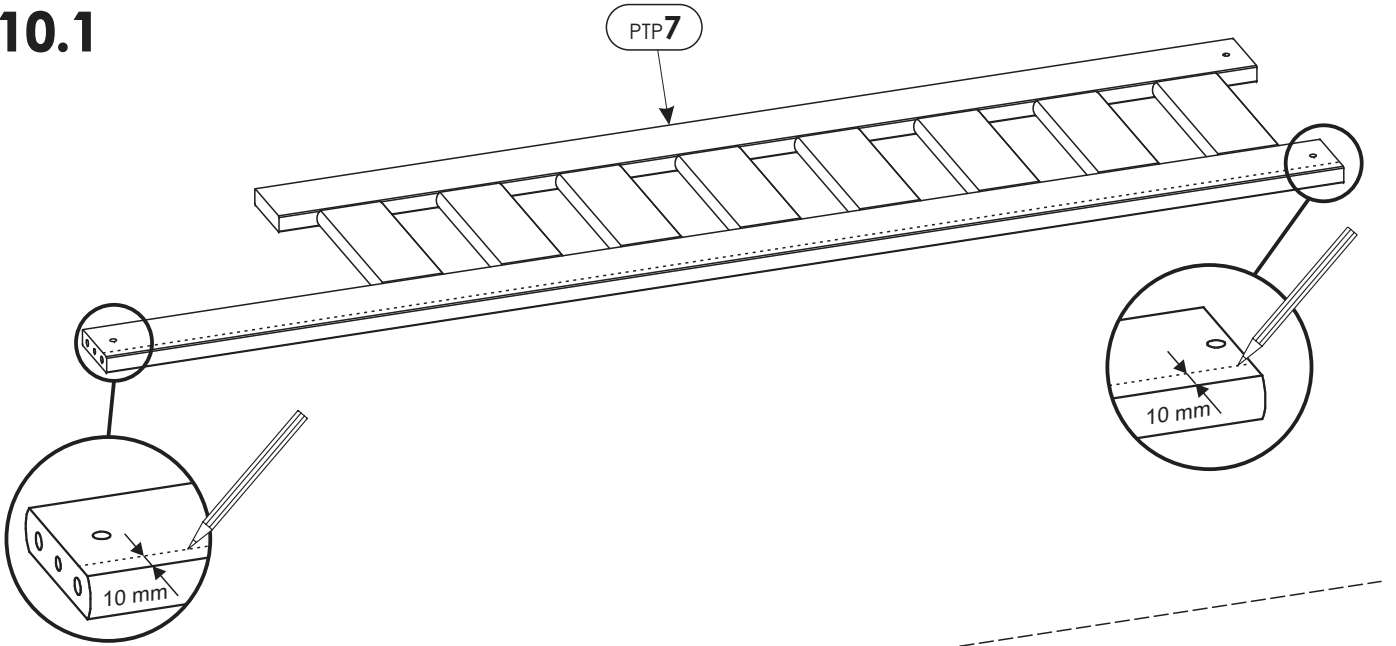
9.



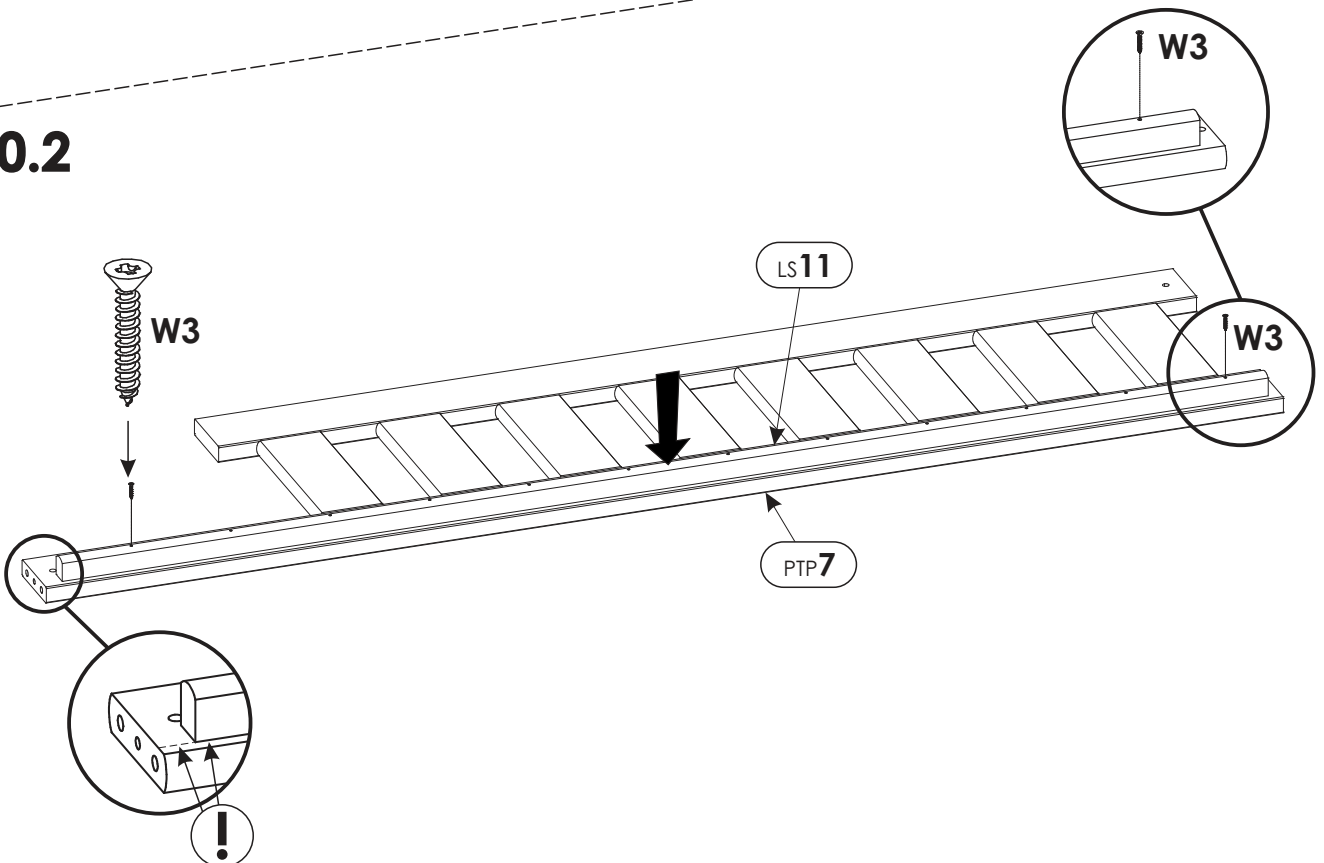
10.



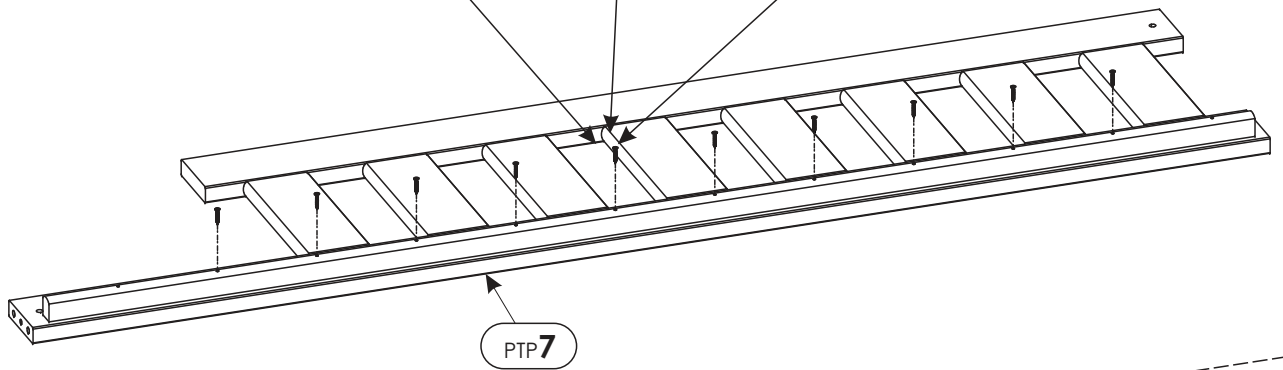
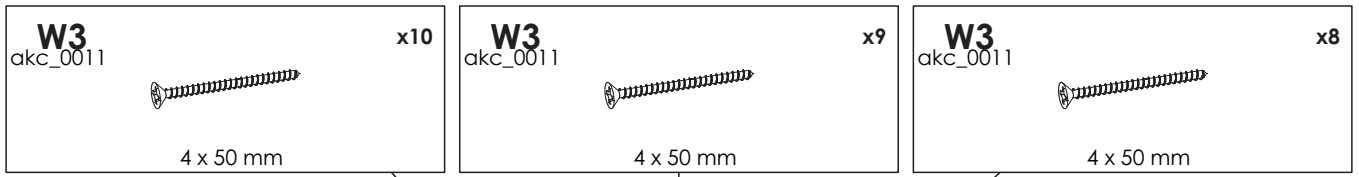
10.1



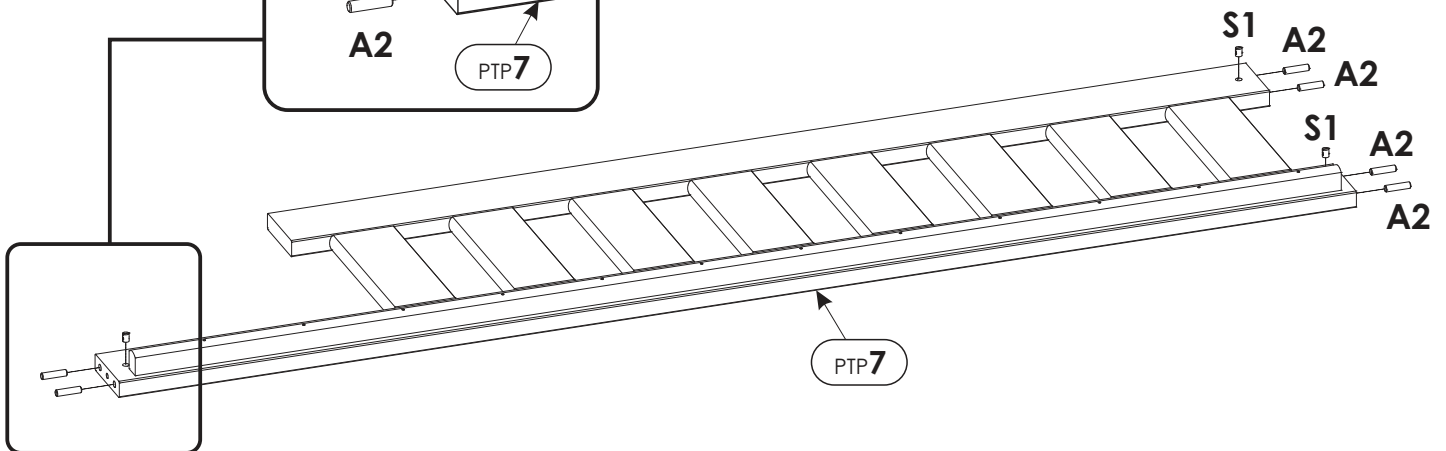
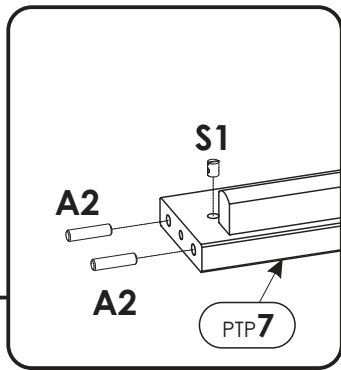
10.2



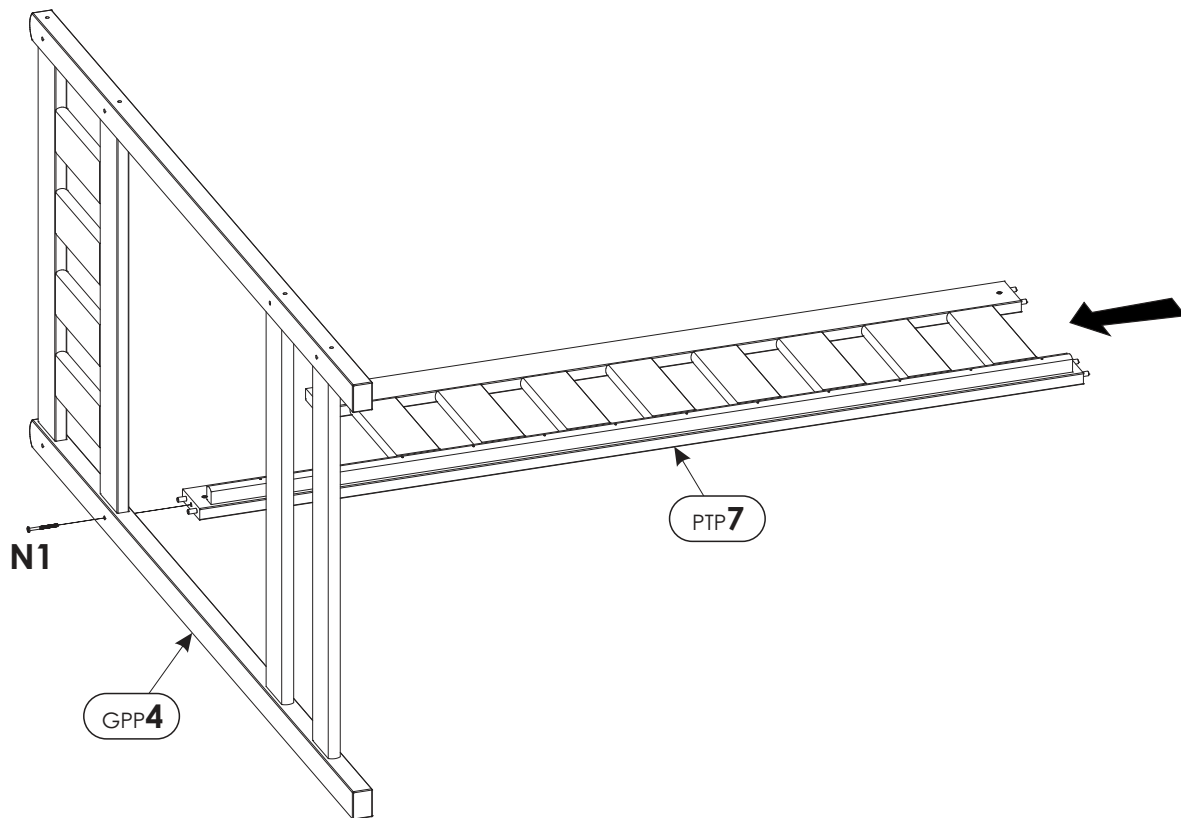
10.3



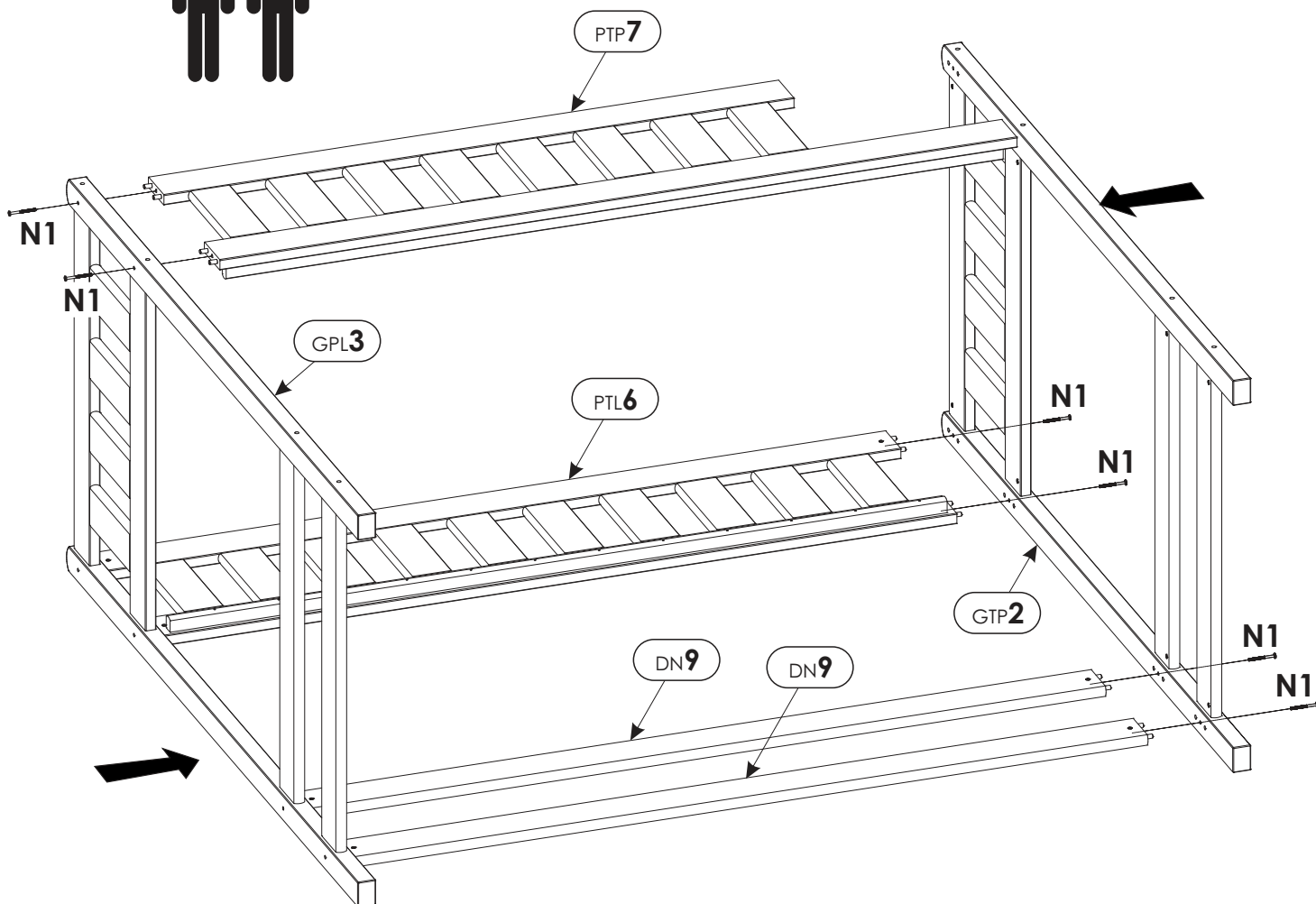
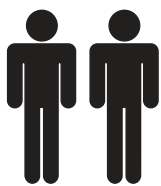
10.4



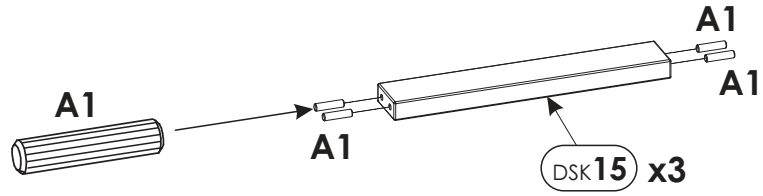
11.



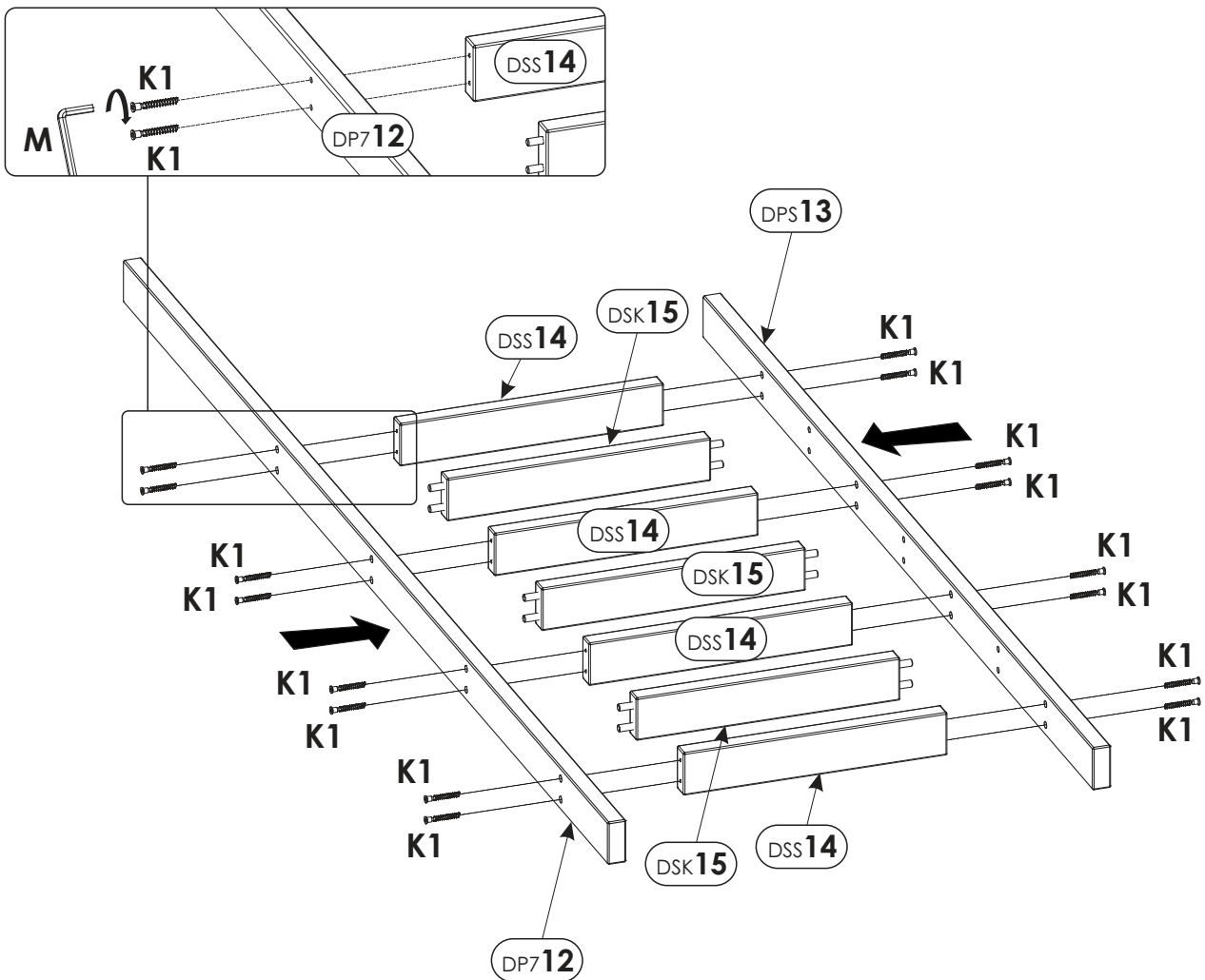
12.



13.



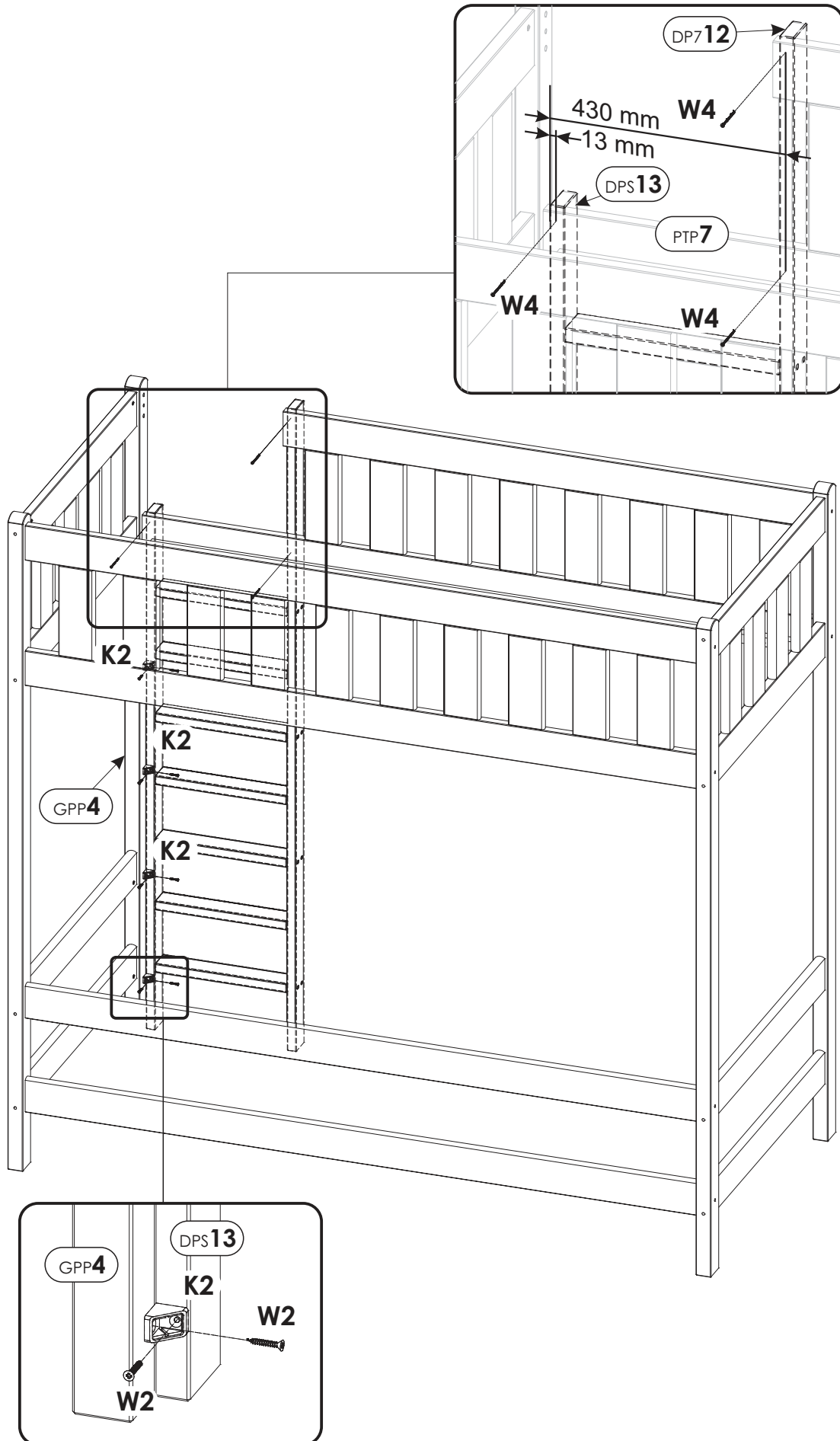
14.



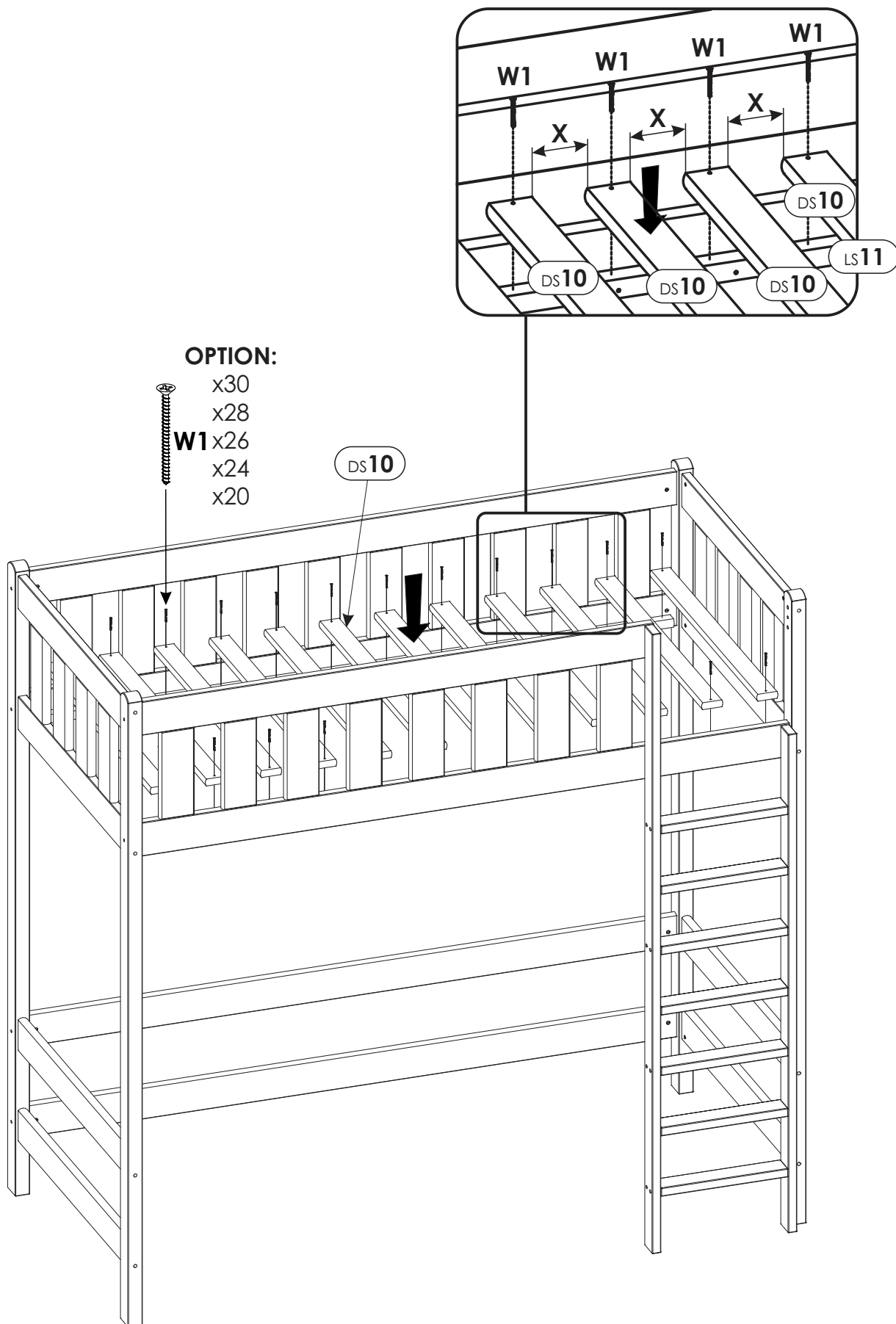
15.

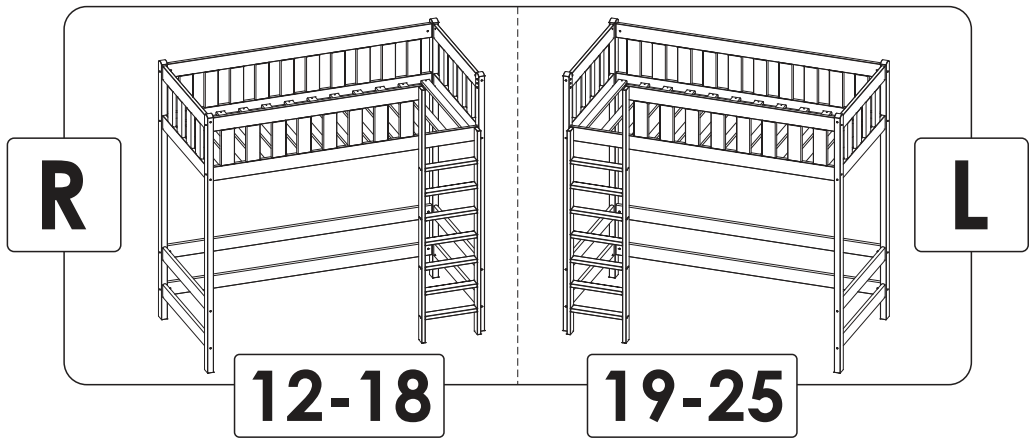


16.



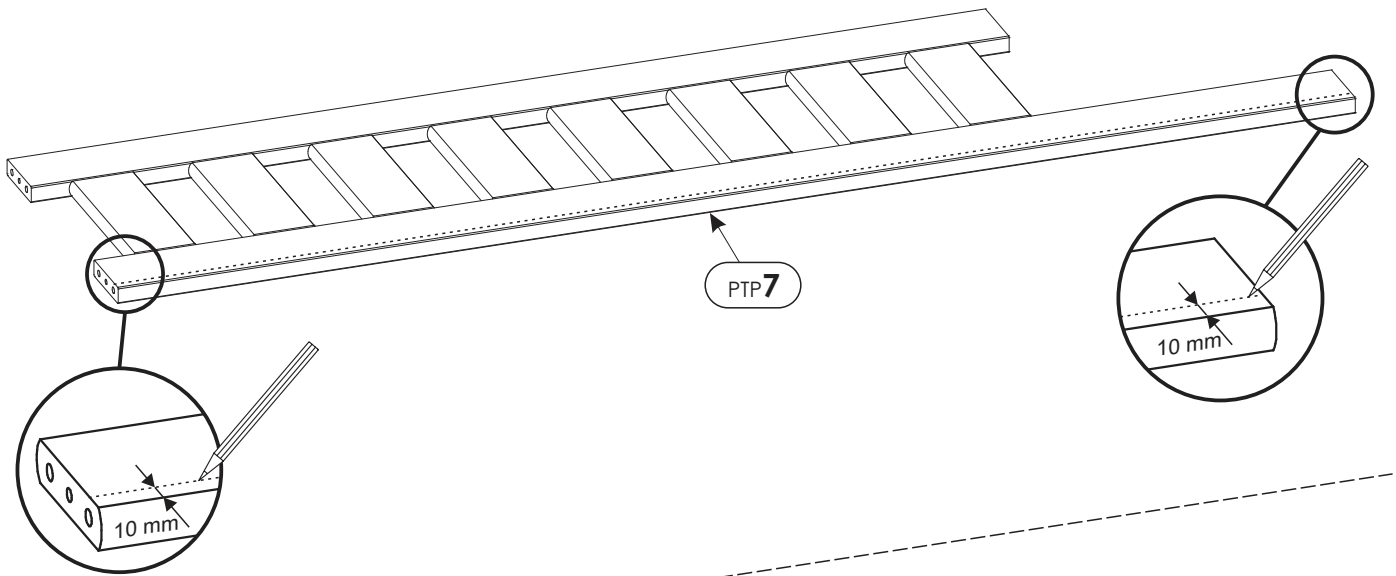
17.



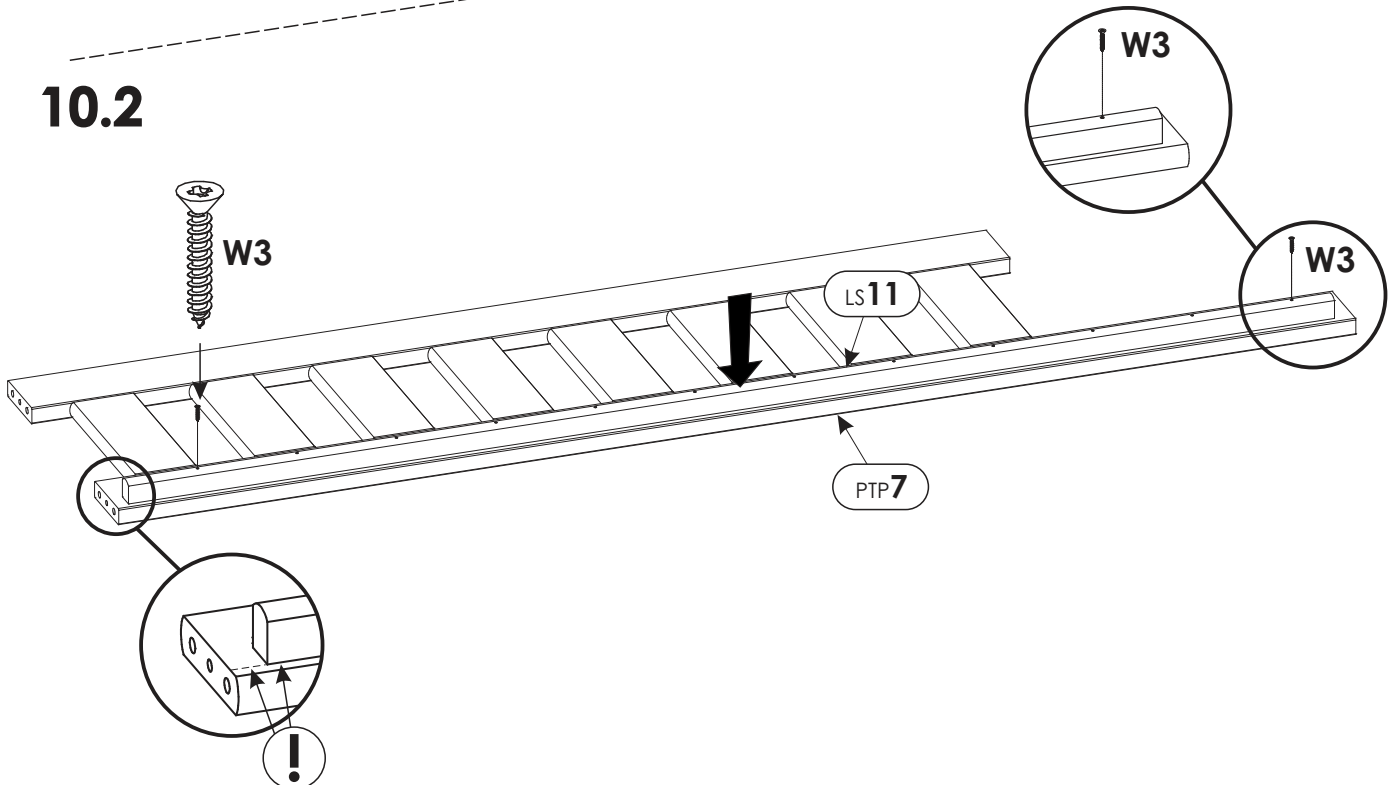


10.

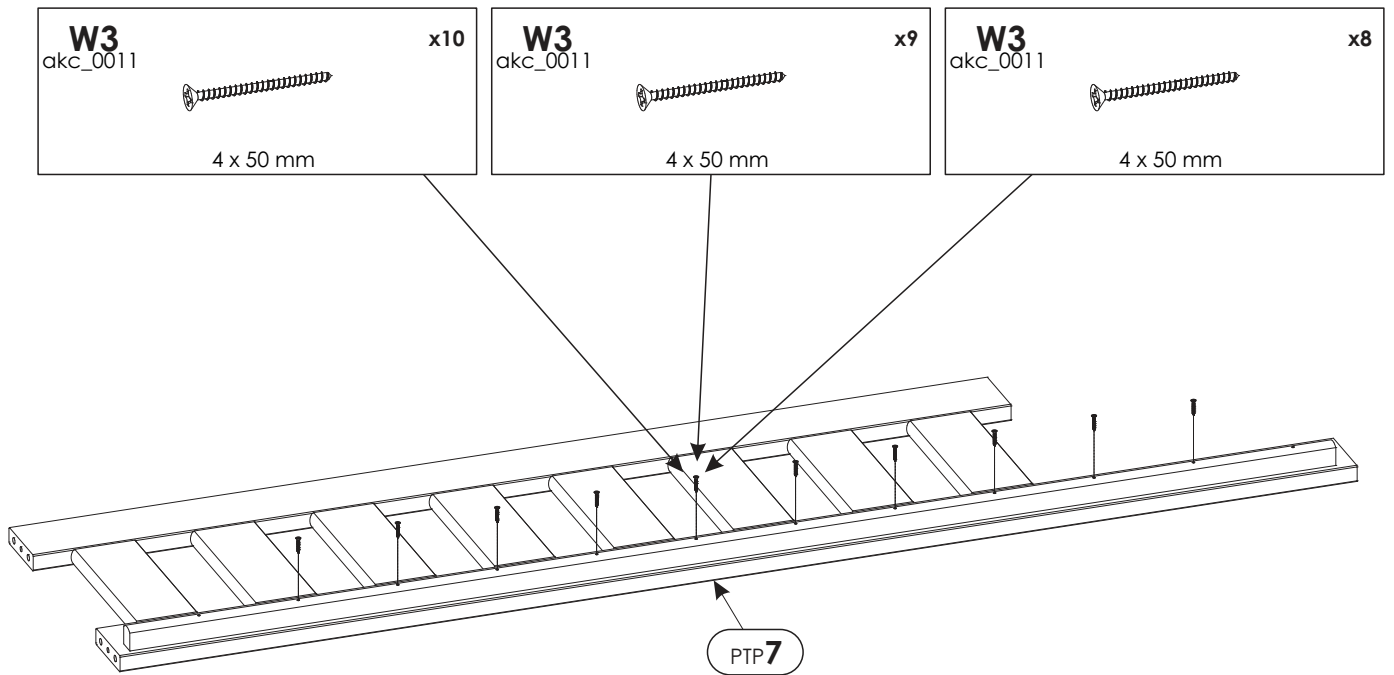
10.1



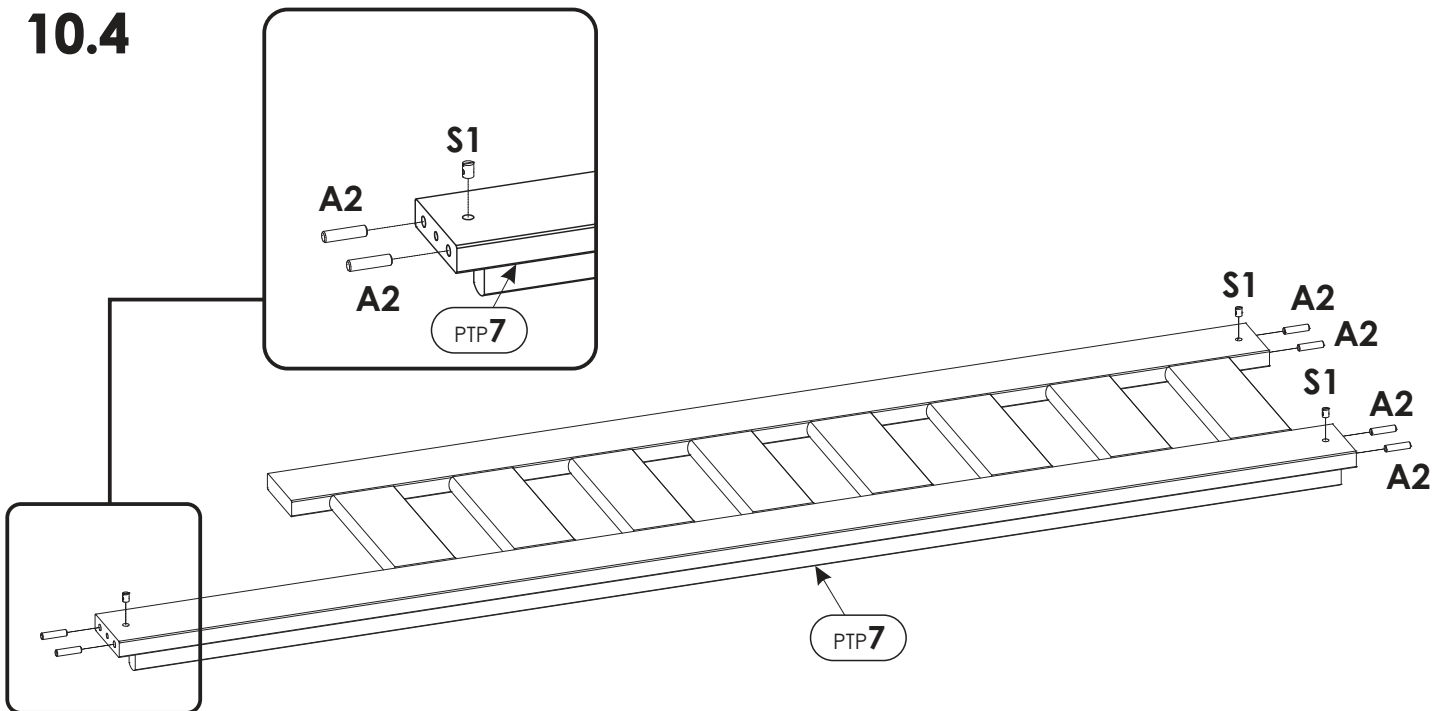
10.2



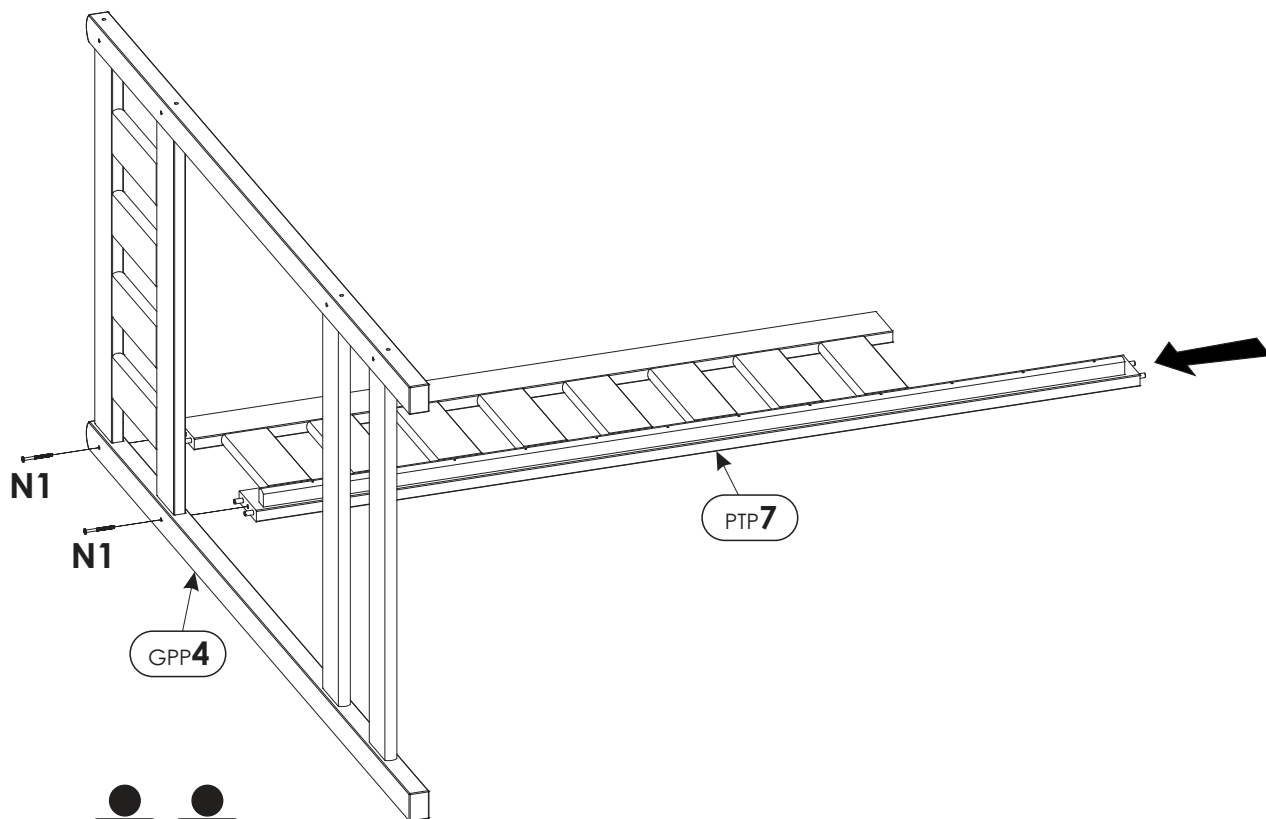
10.3



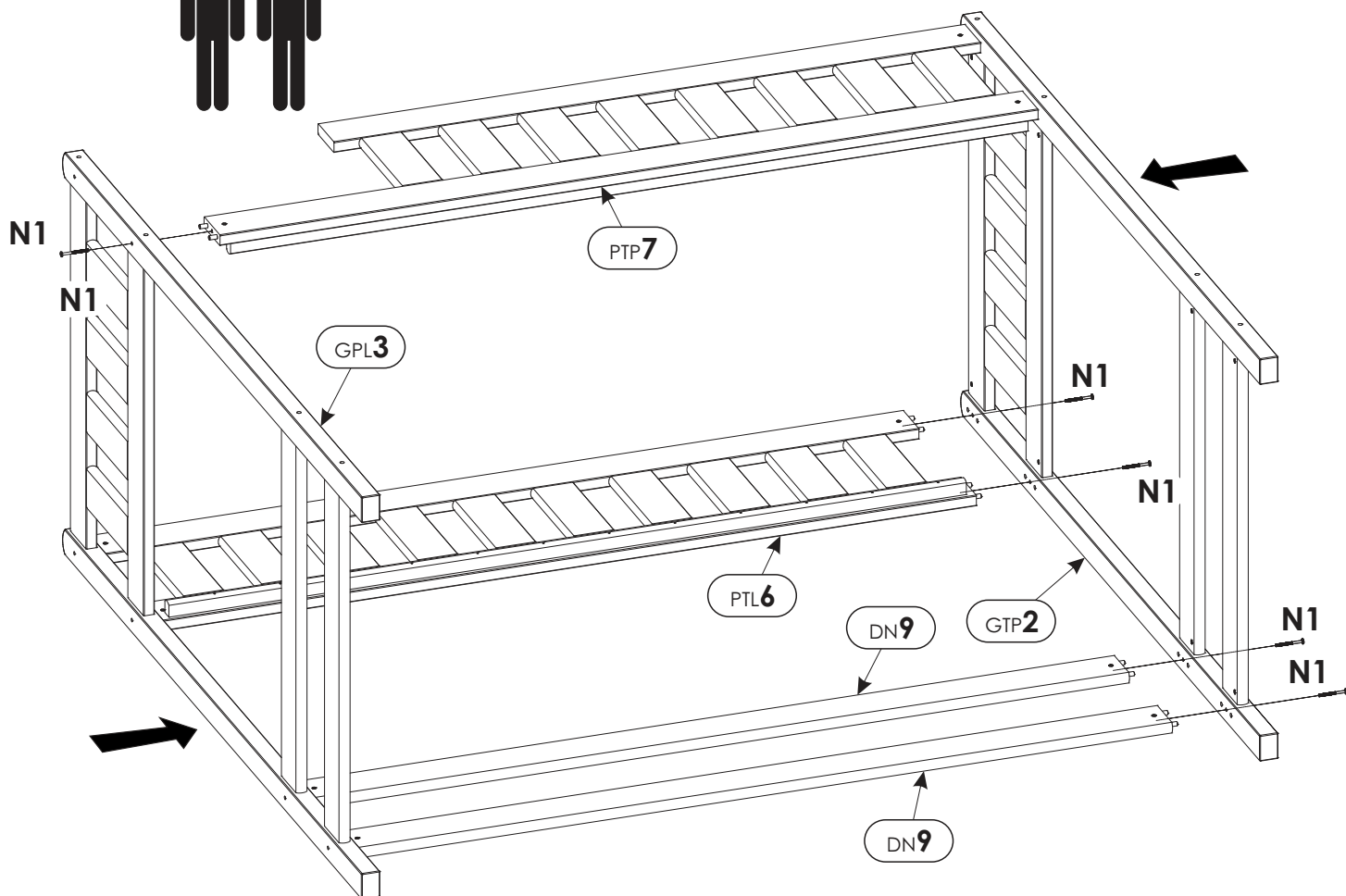
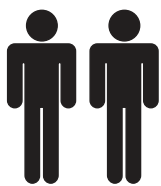
10.4



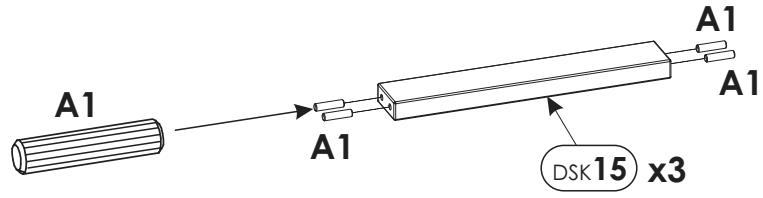
11.



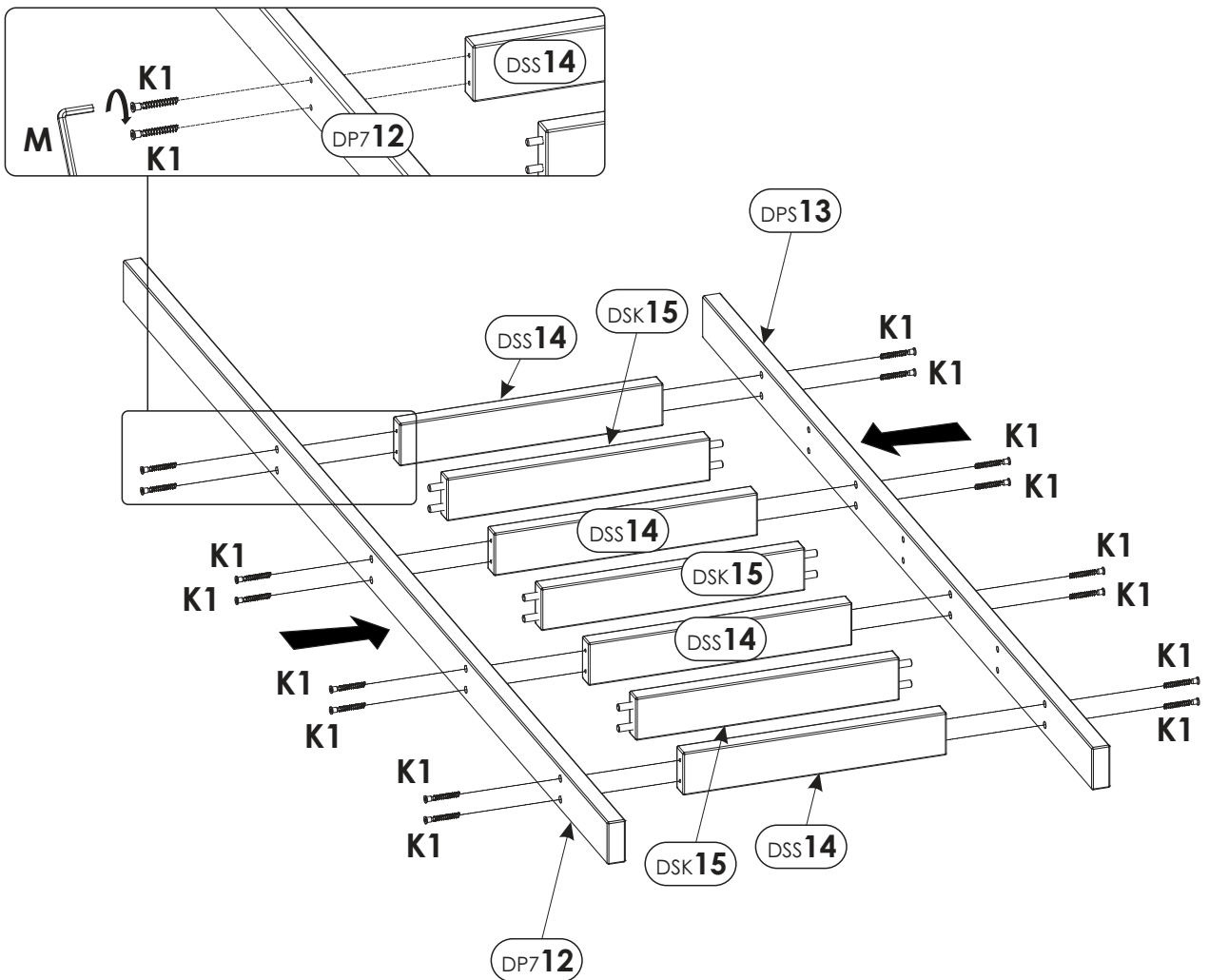
12.



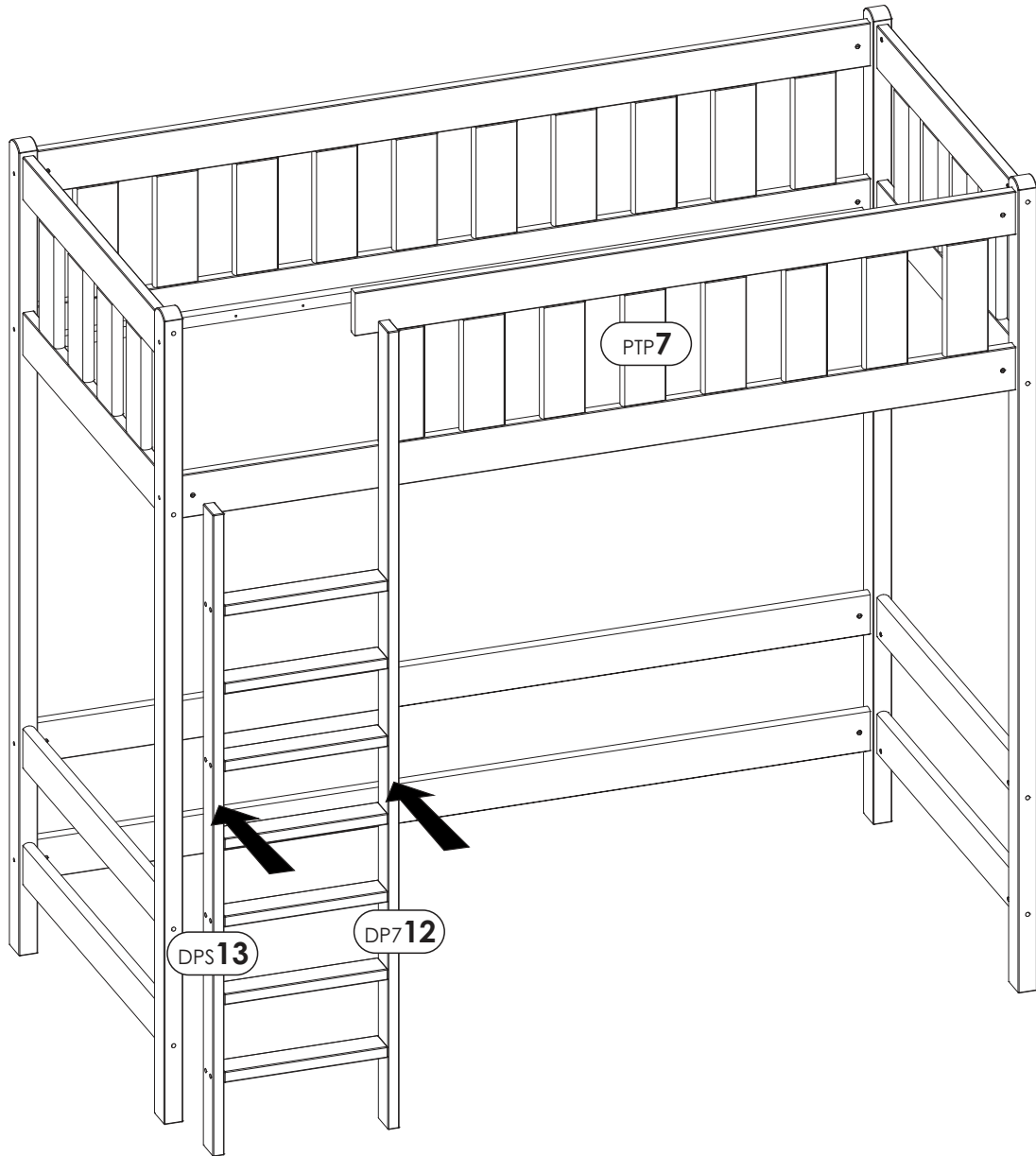
13.



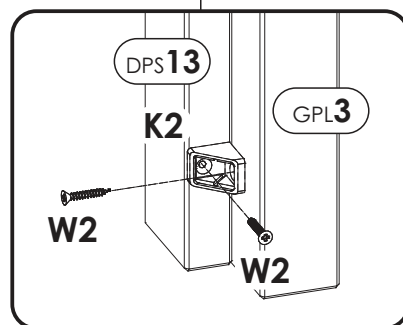
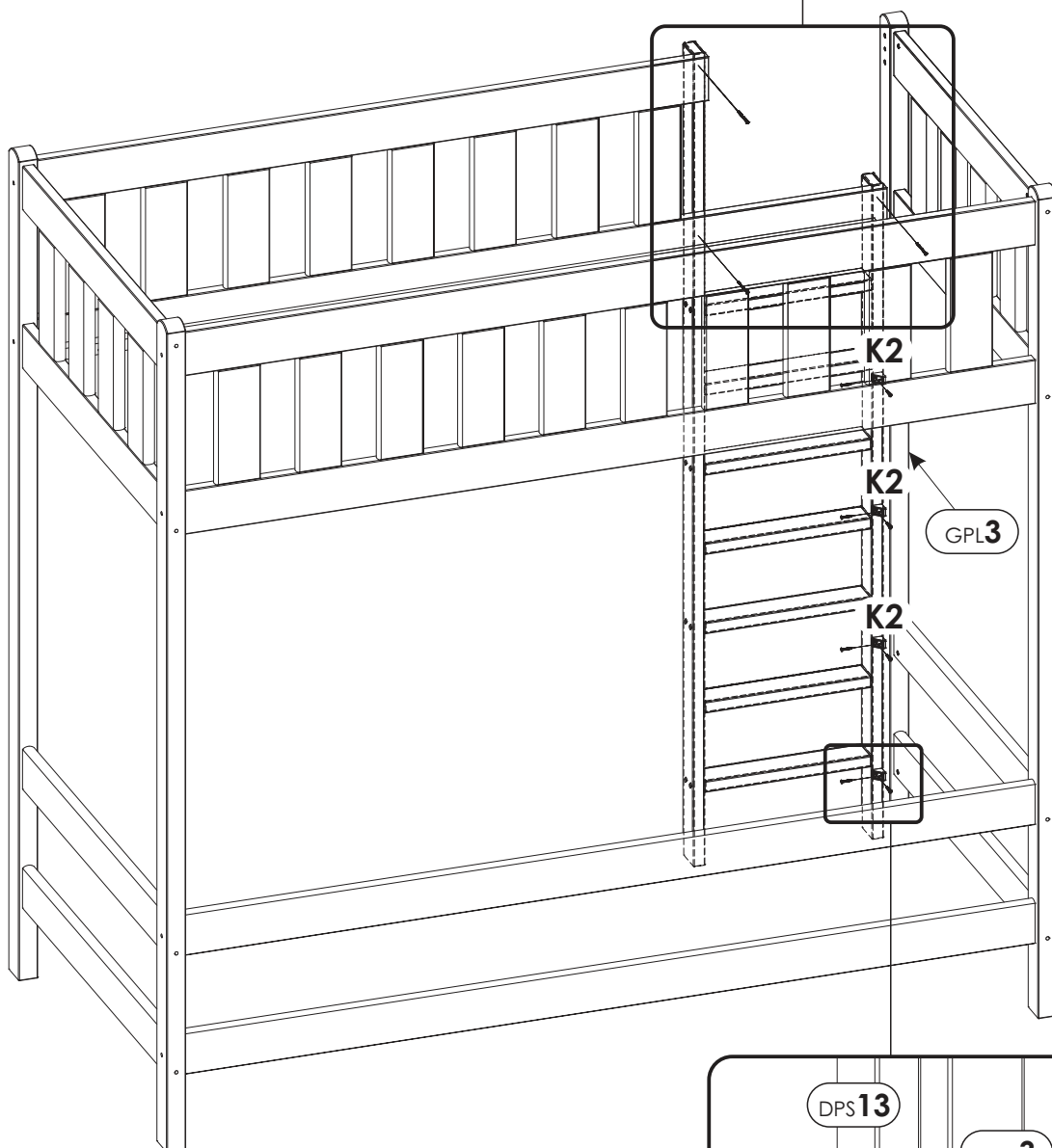
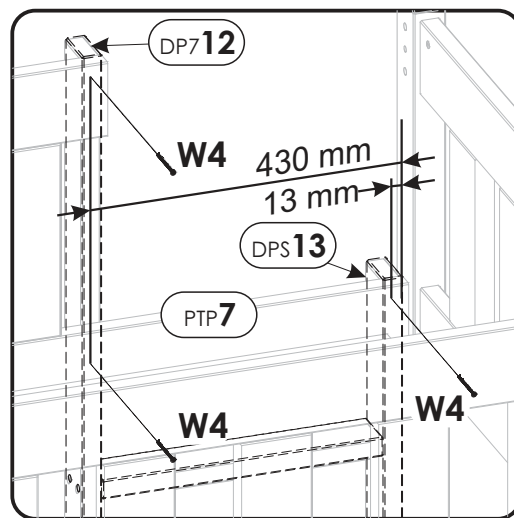
14.



15.



16.



17.

