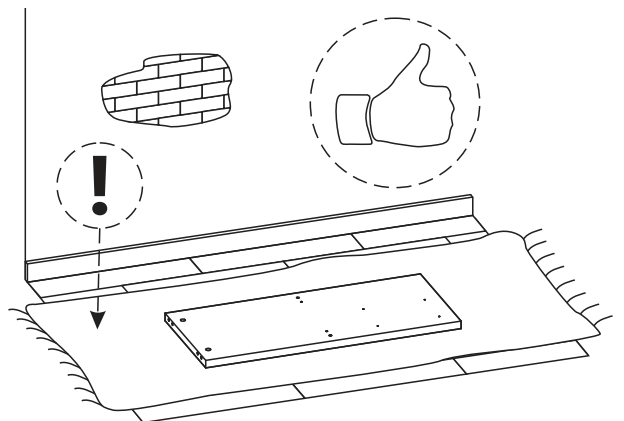
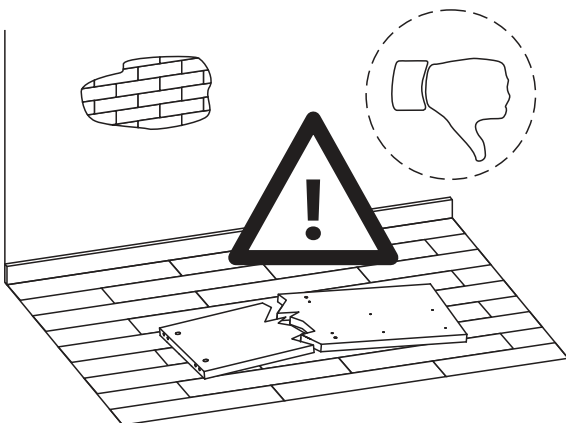
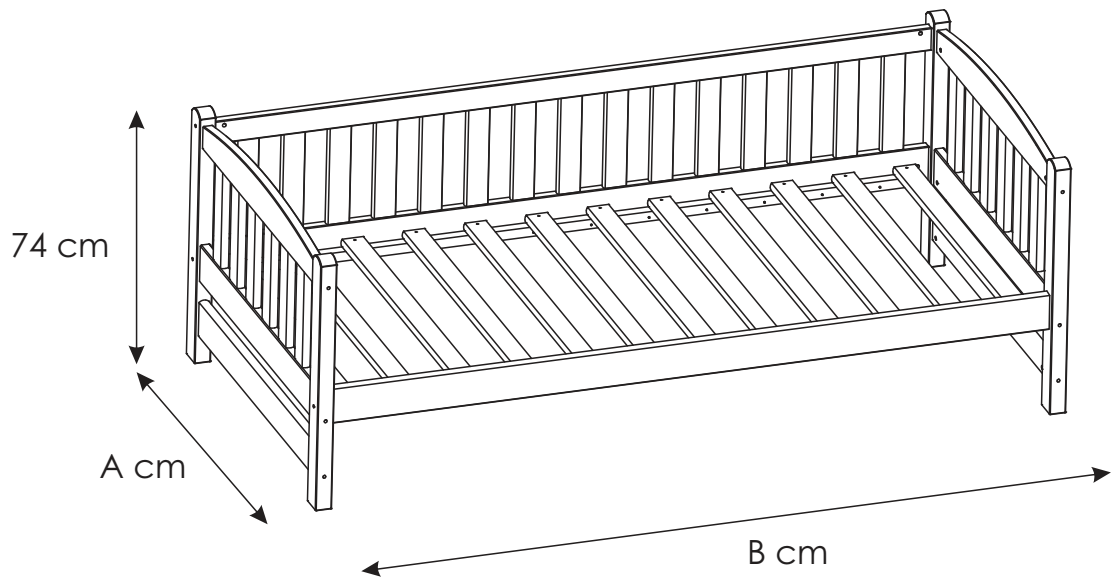
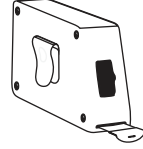
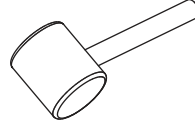
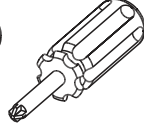
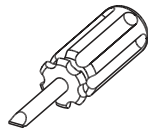
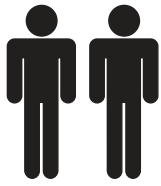
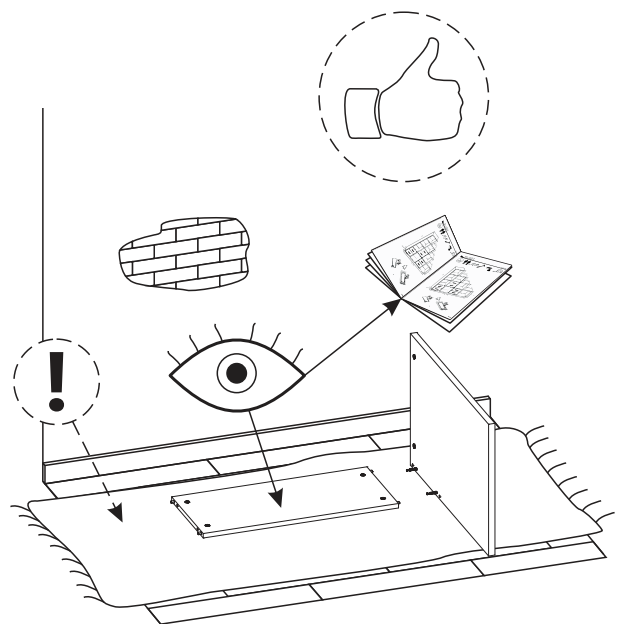
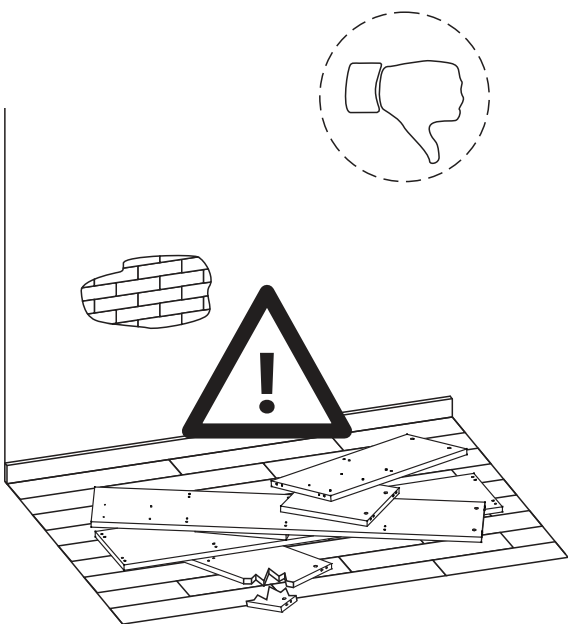
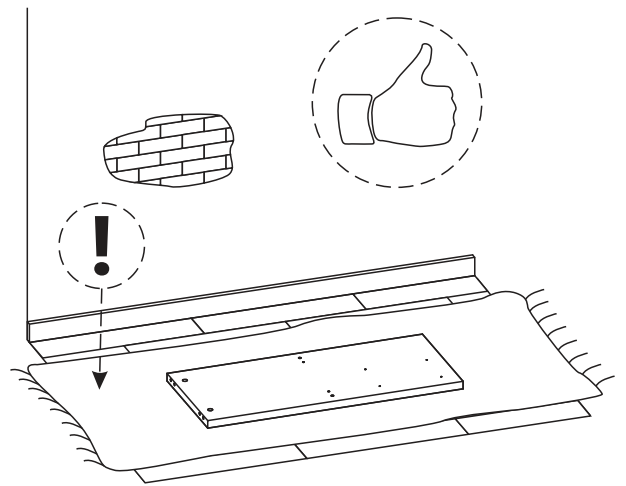
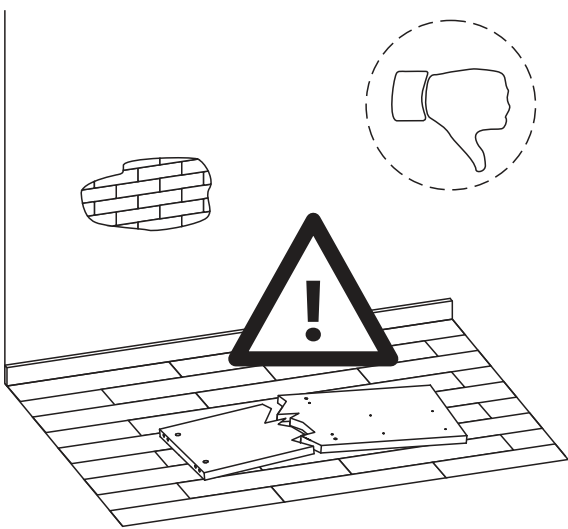
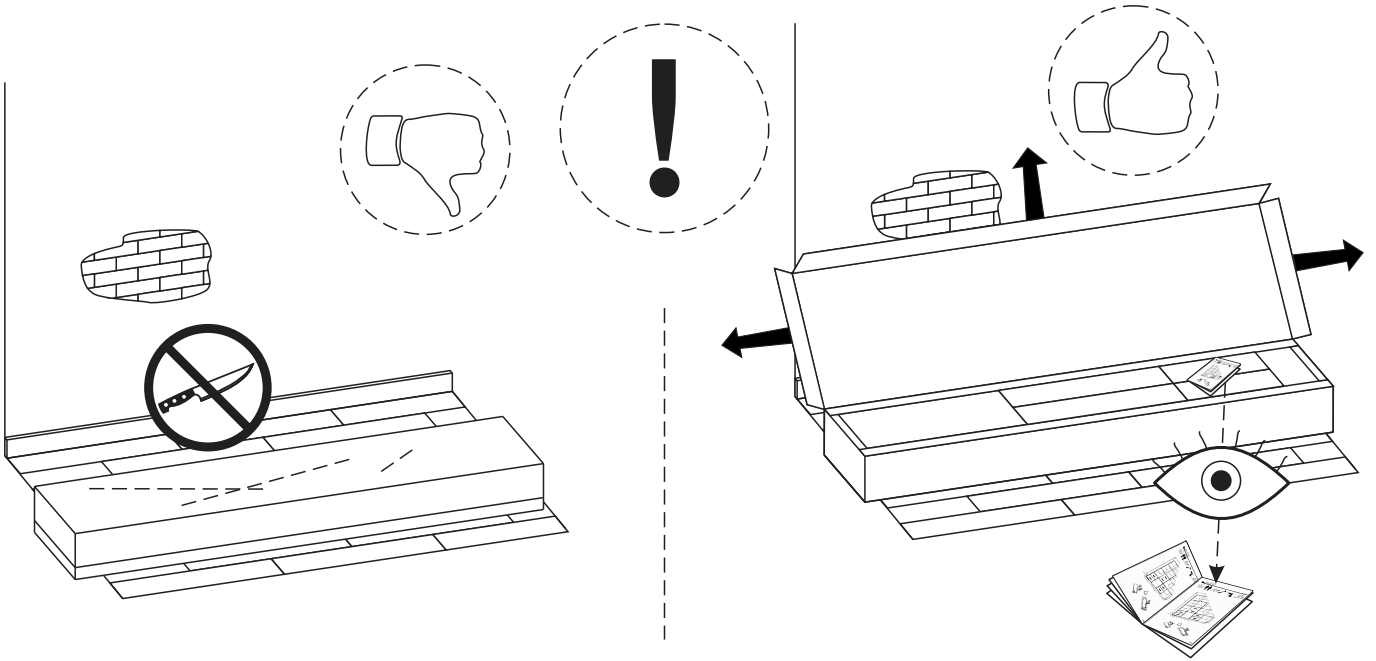


KAJA

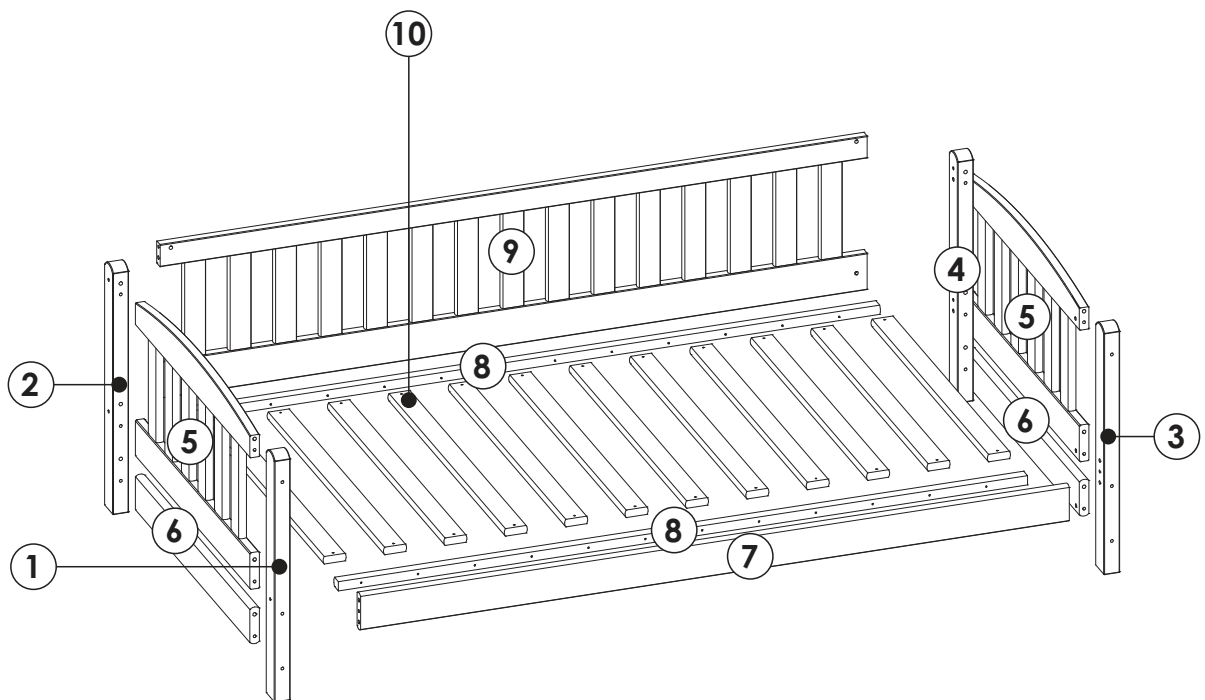
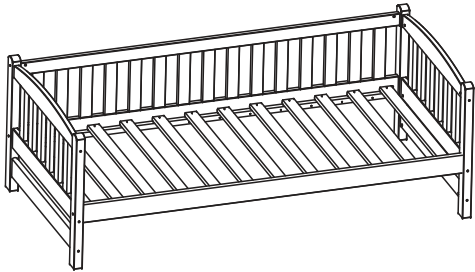


90 min





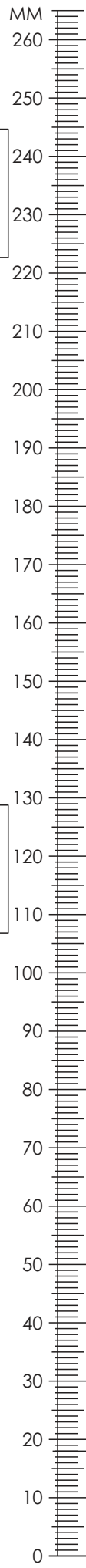
KAJA

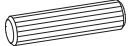


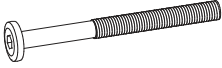



KAJA


PL 1	720	65	45	x1	KNPL_00890
TL 2	720	65	45	x1	KNTL_00910
PP 3	720	65	45	x1	KNPP_00900
TP 4	720	65	45	x1	KNTP_00920
PBB 5	585, 685, 785, 885, 985	491	27	x2	DP_00480 PS_00470 DB_00610
DST 6	585, 685, 785, 885, 985	107	27	x2	DST_00120
DN 7	1190,1390, 1590,1690, 1790, 1890, 1990	107	27	x1	DN_00110
LS 8	1140, 1340, 1540, 1640, 1740, 1840, 1940	35	27	x2	LS_00160
PTP 9	1190,1390, 1590,1690, 1790, 1890, 1990	449	27	x1	DPDC_00680 PS_00470 DPDC_00670


KAJA



<p>A2 akc_0002</p>  <p>10 x 40 mm</p> <p style="text-align: right;">x22</p>	<p>M akc_0005</p>  <p style="text-align: right;">x1</p>	<p>N1 akc_0006</p>  <p>6 x 80 mm</p> <p style="text-align: right;">x6</p>
<p>N2 akc_0007</p>  <p>6 x 100 mm</p> <p style="text-align: right;">x12</p>	<p>S1 akc_0008</p>  <p>10 x 16 mm</p> <p style="text-align: right;">x18</p>	

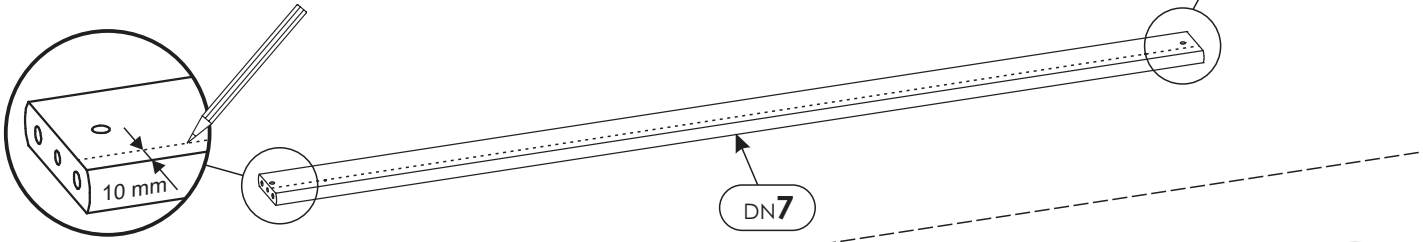
----- **OPTION** -----

<p>W1 akc_0009</p>  <p>3,5 x 40 mm</p> <p style="text-align: right;">18 < x < 30</p>

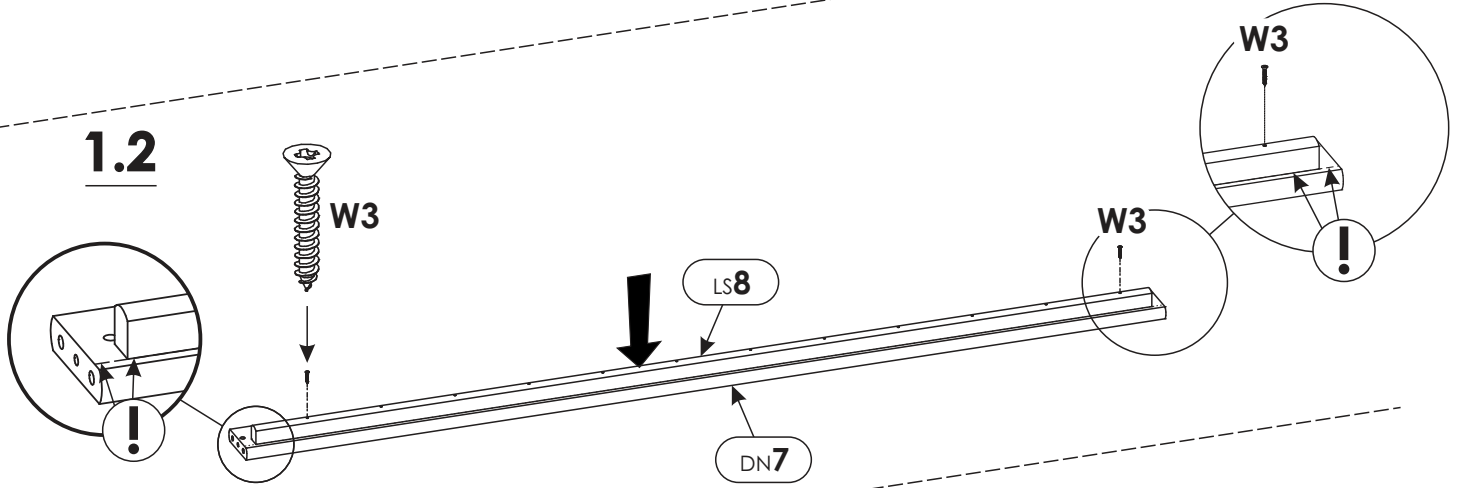
<p>W3 akc_0011</p>  <p>4 x 50 mm</p> <p style="text-align: right;">20 < x < 24</p>

1.

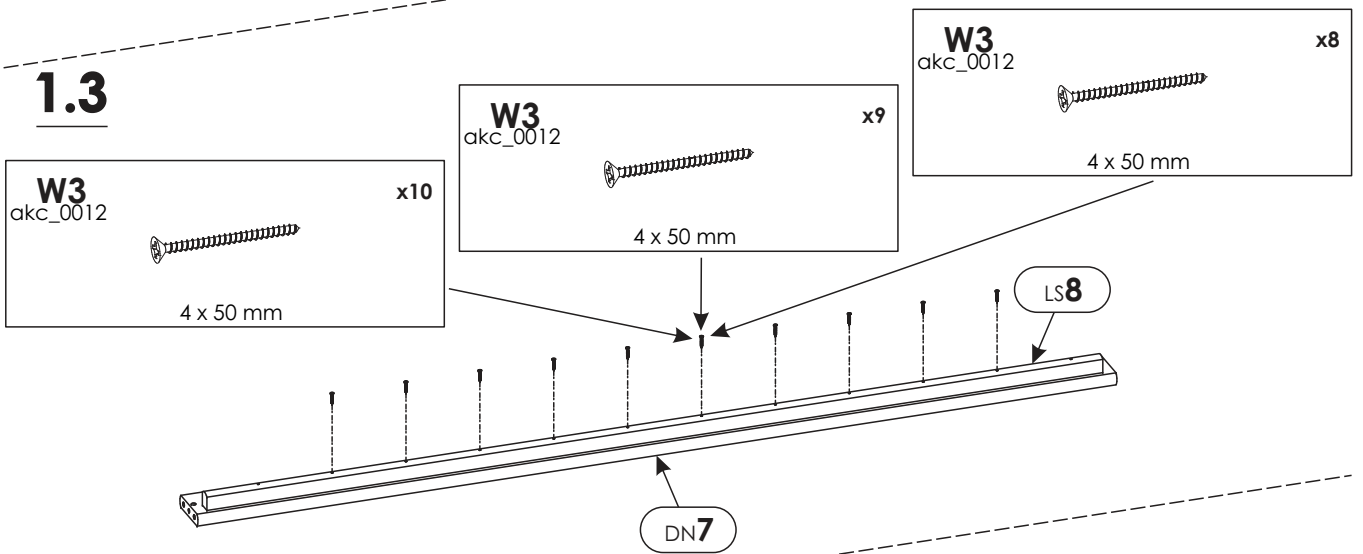
1.1



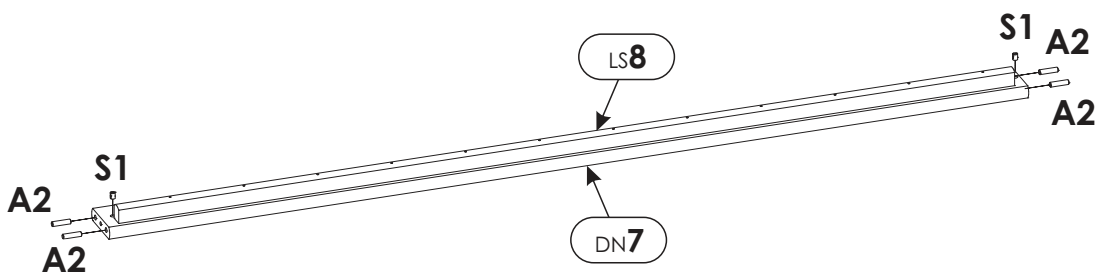
1.2



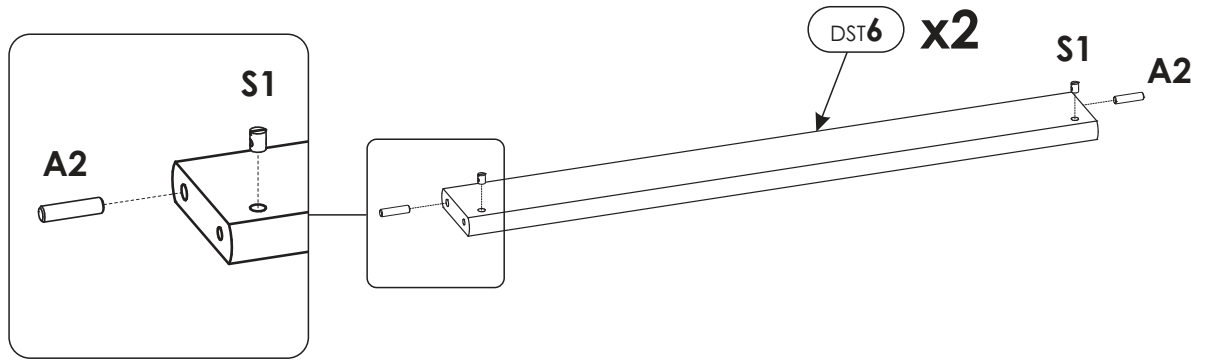
1.3



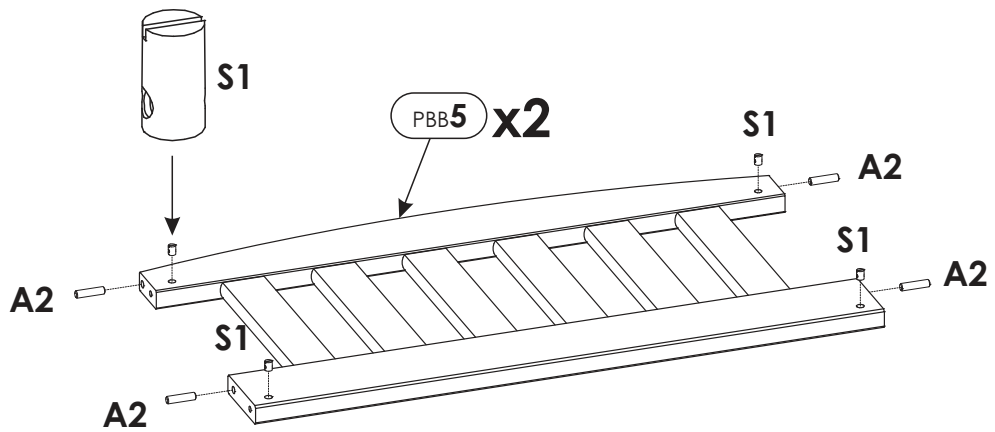
1.4



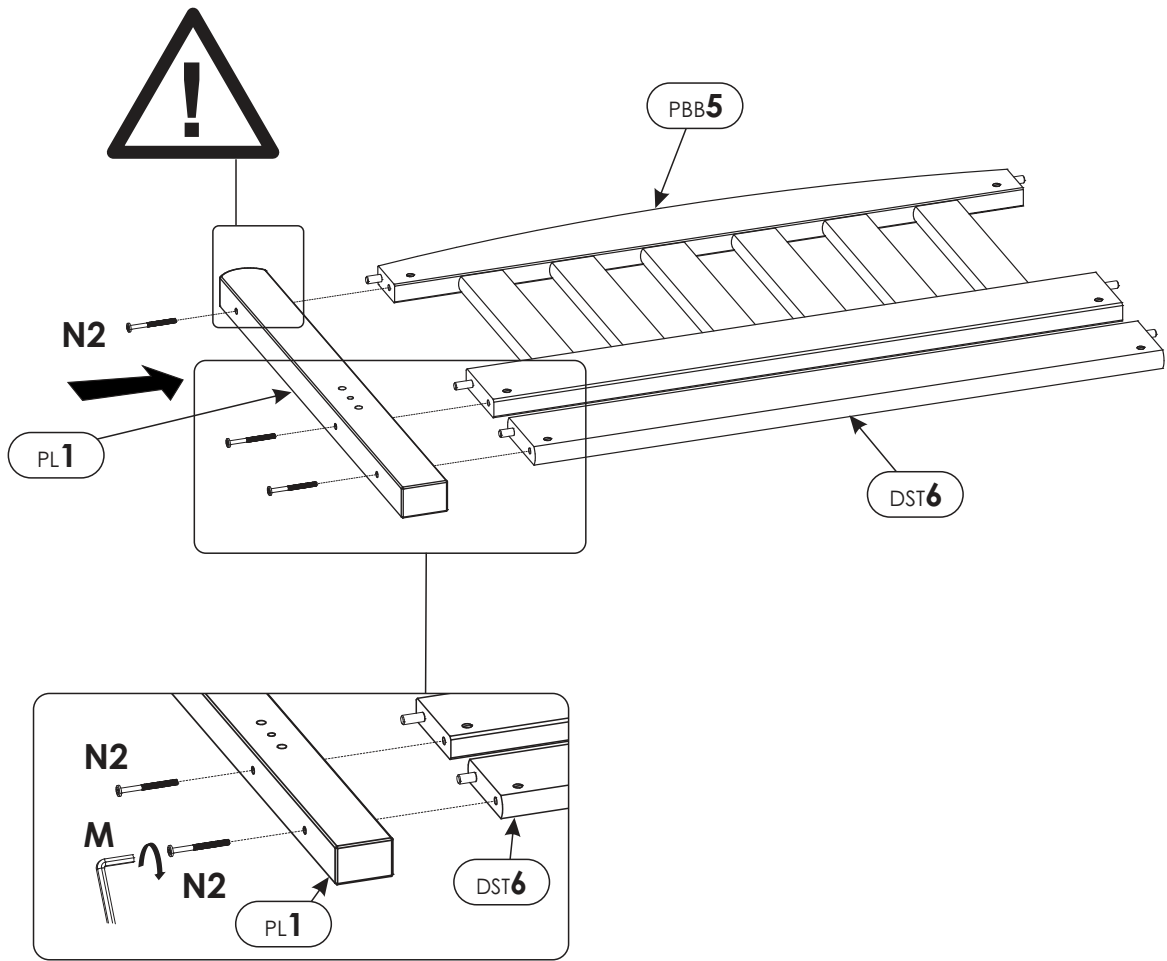
2.



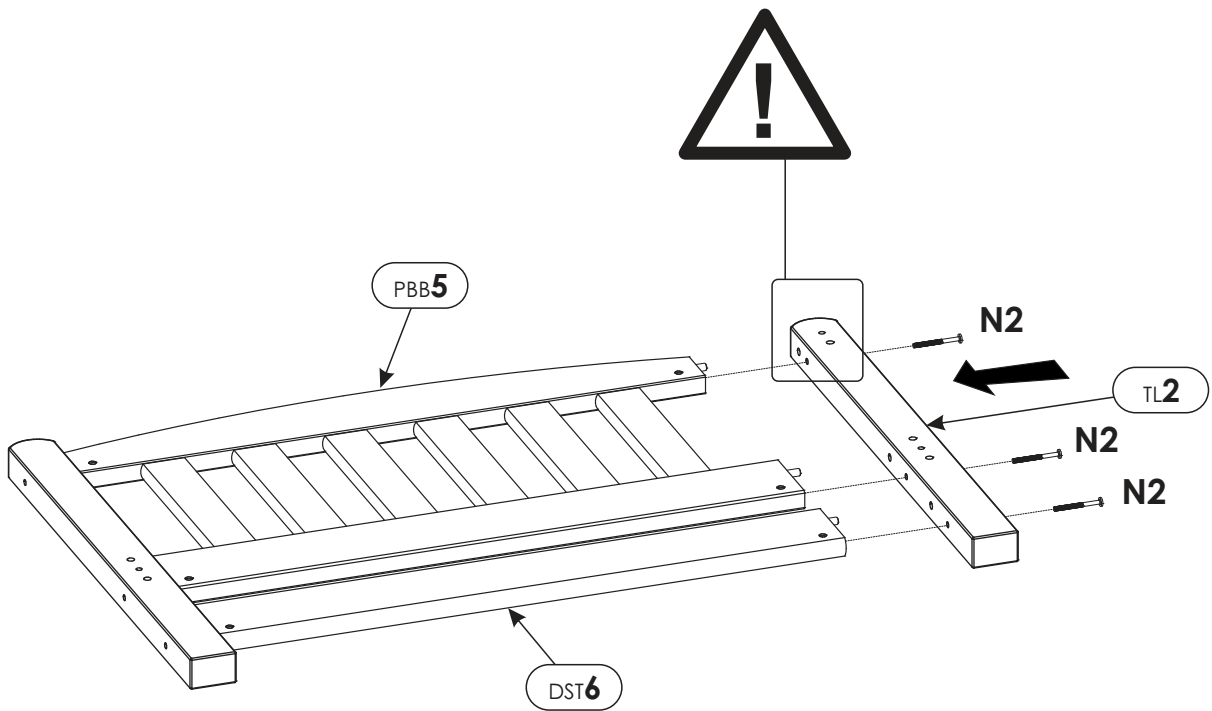
3.



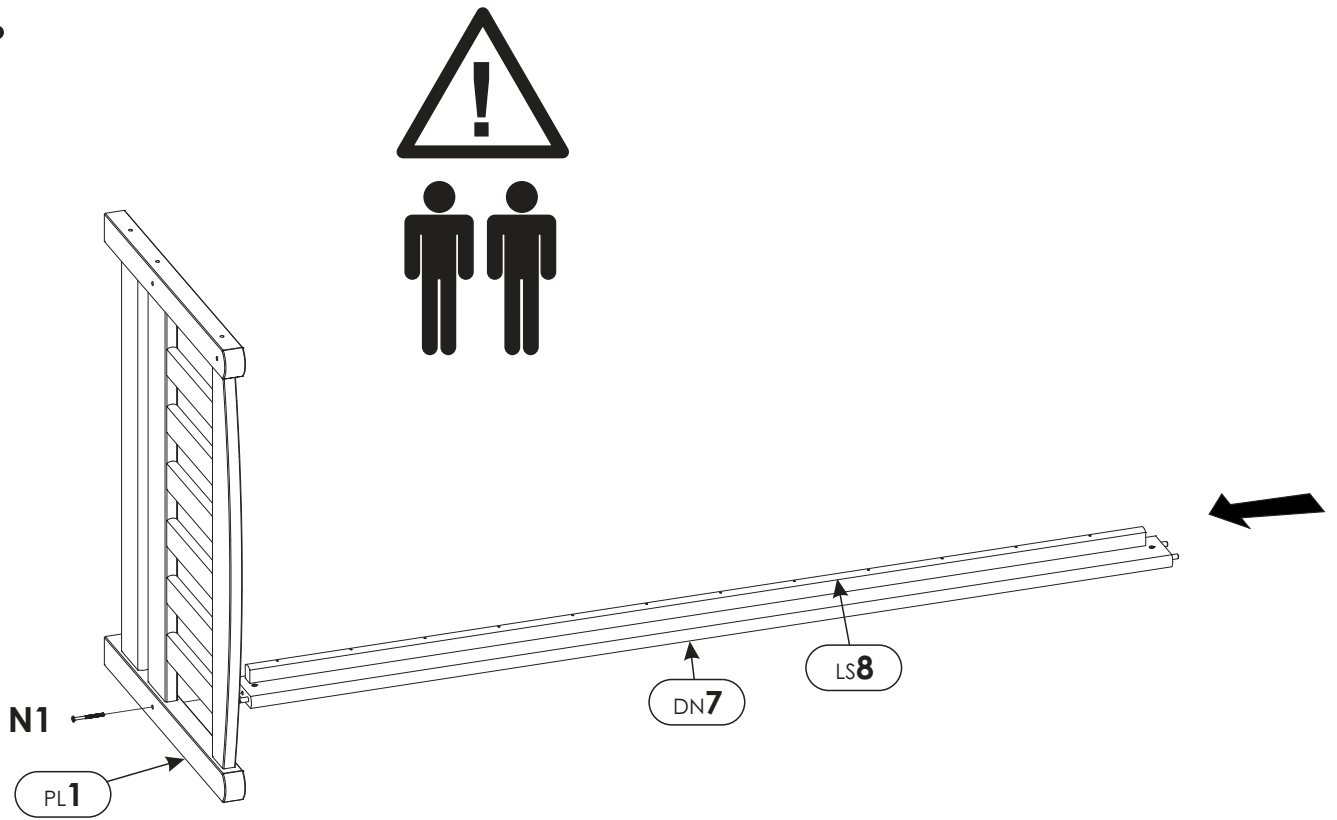
4.



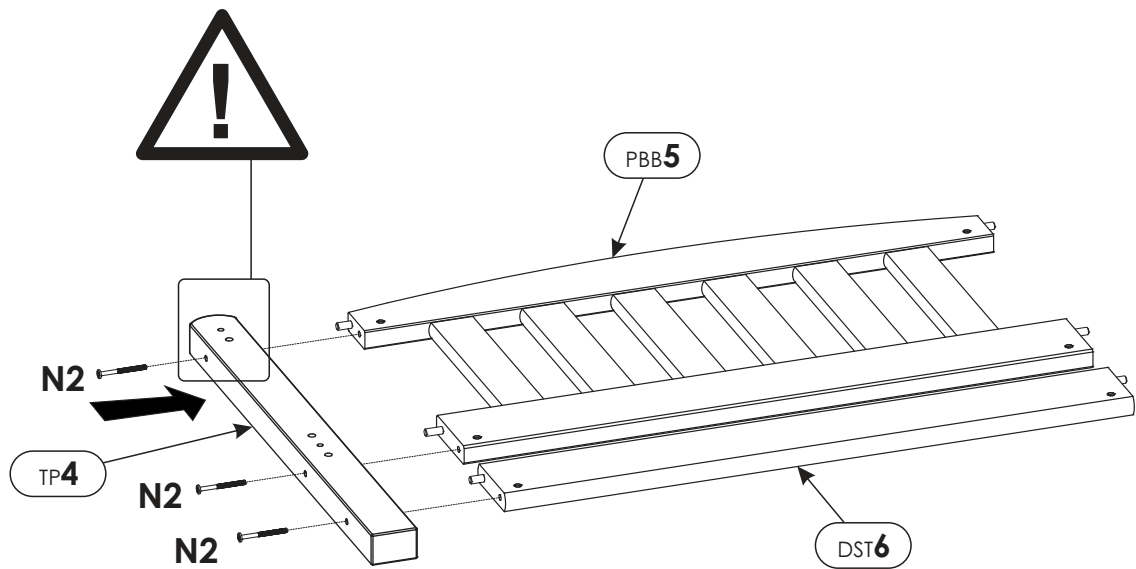
5.



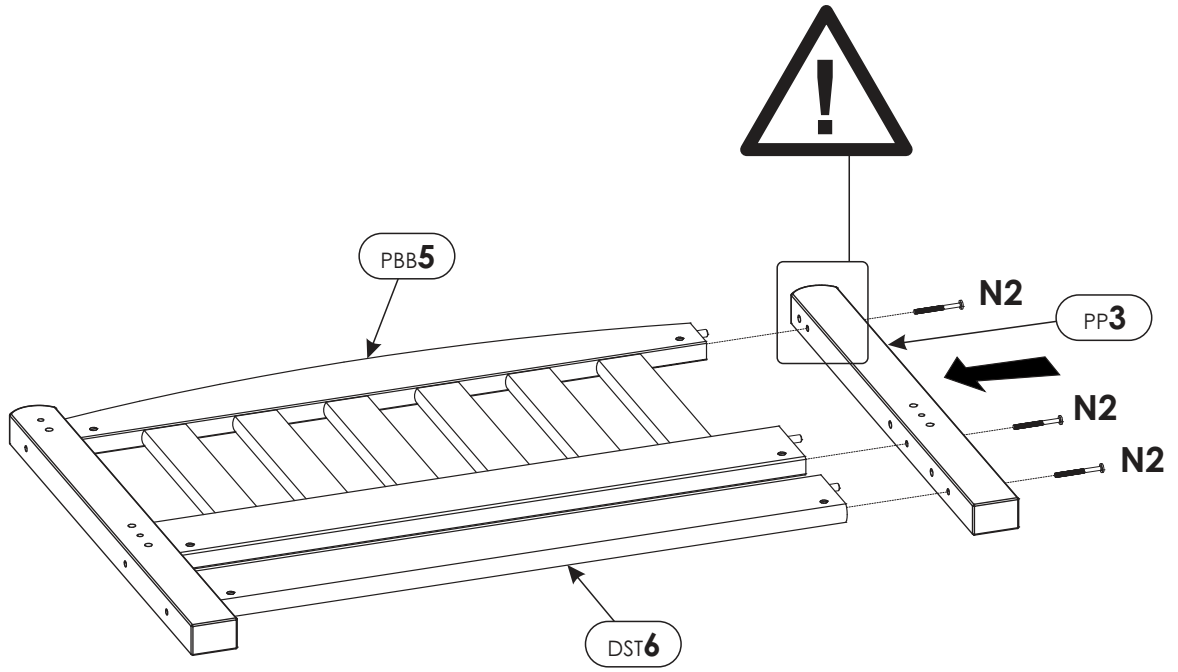
6.



7.

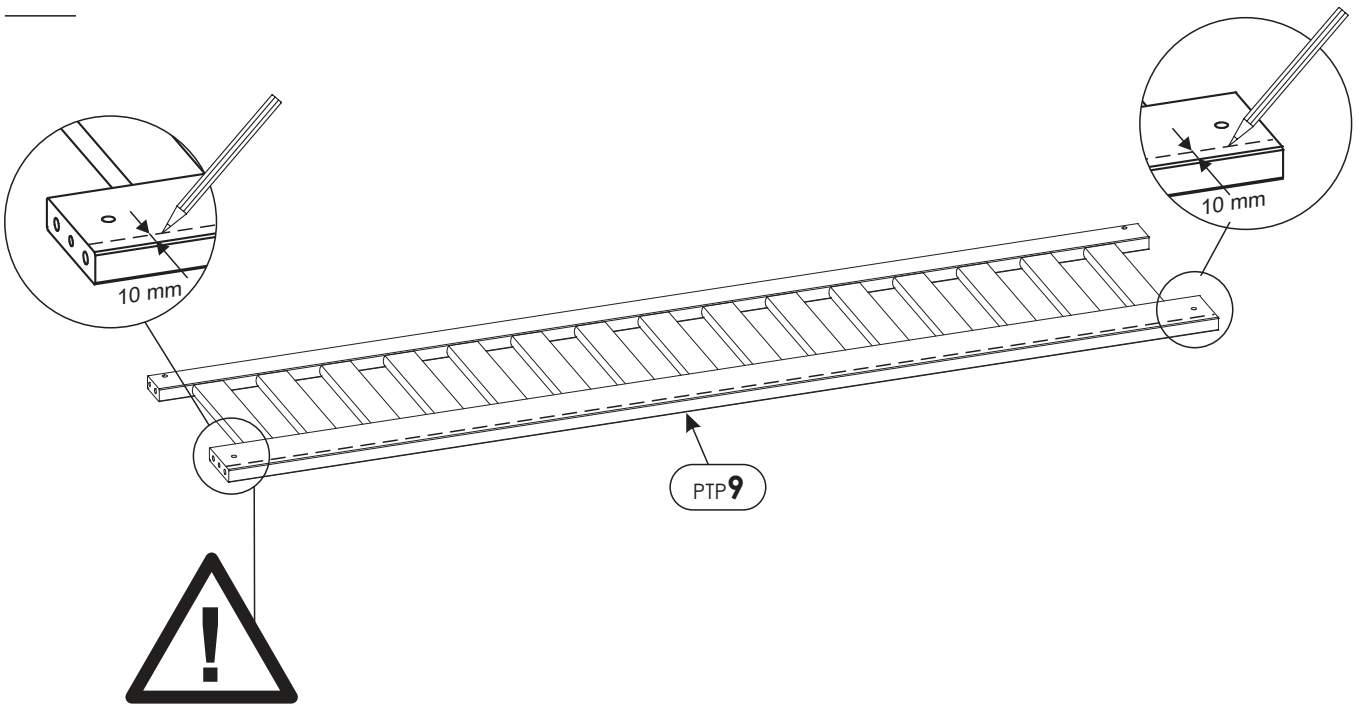


8.

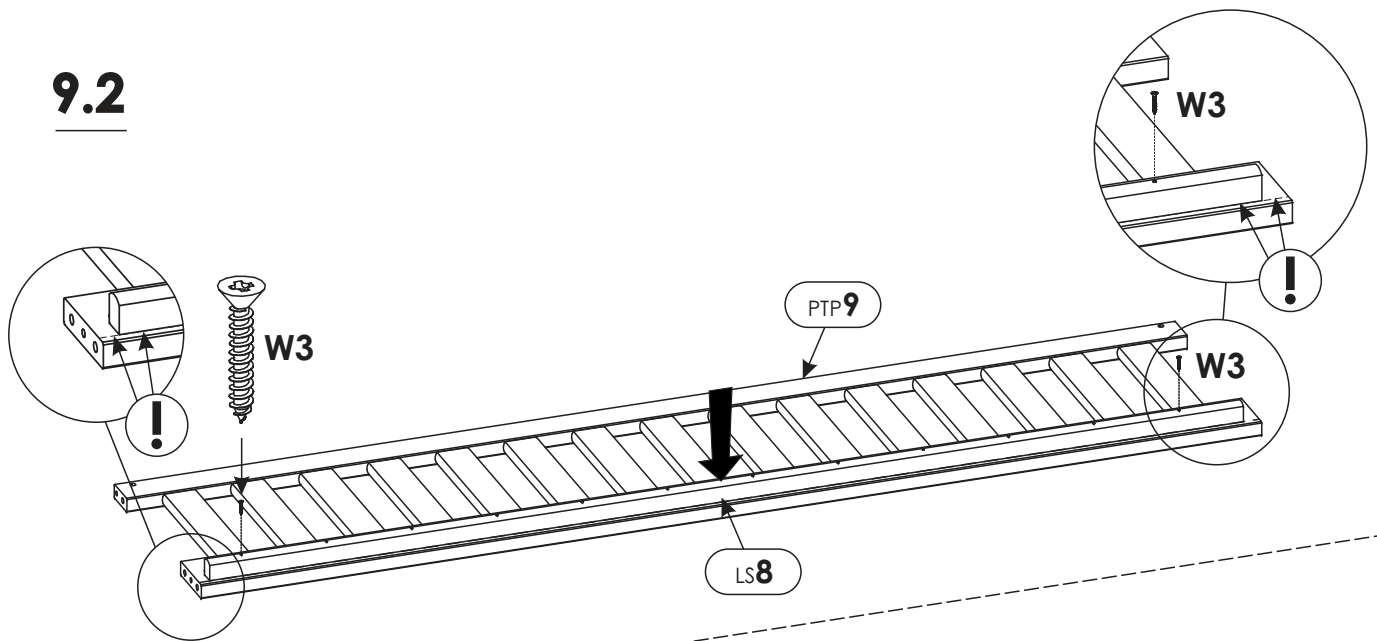


9.

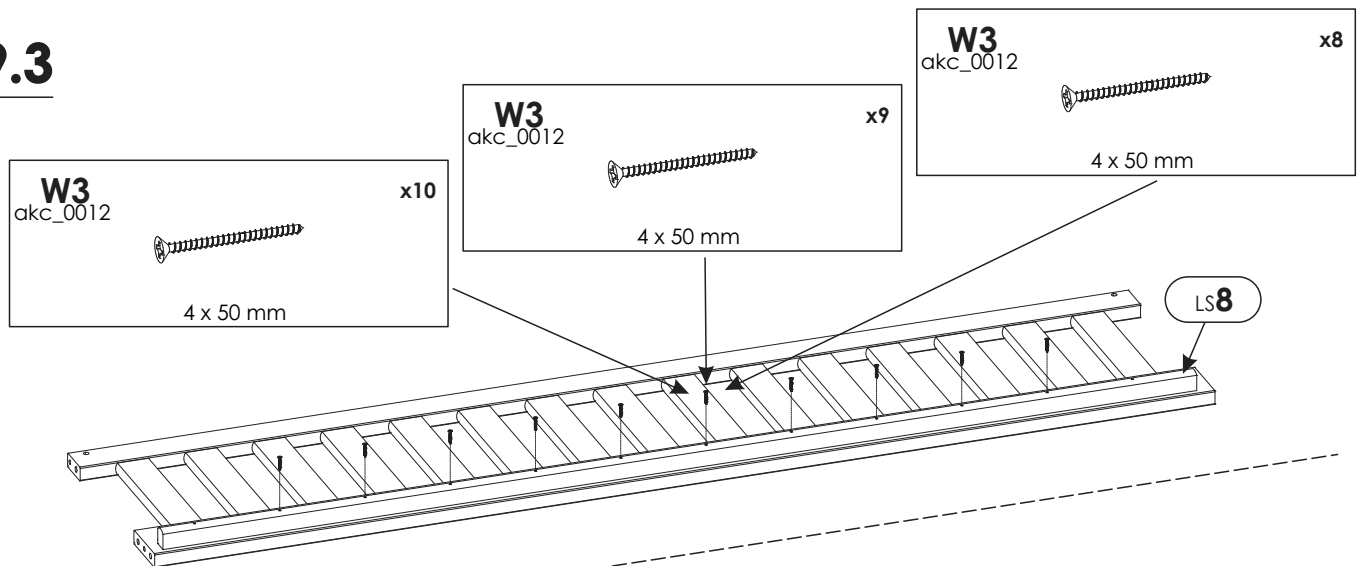
9.1



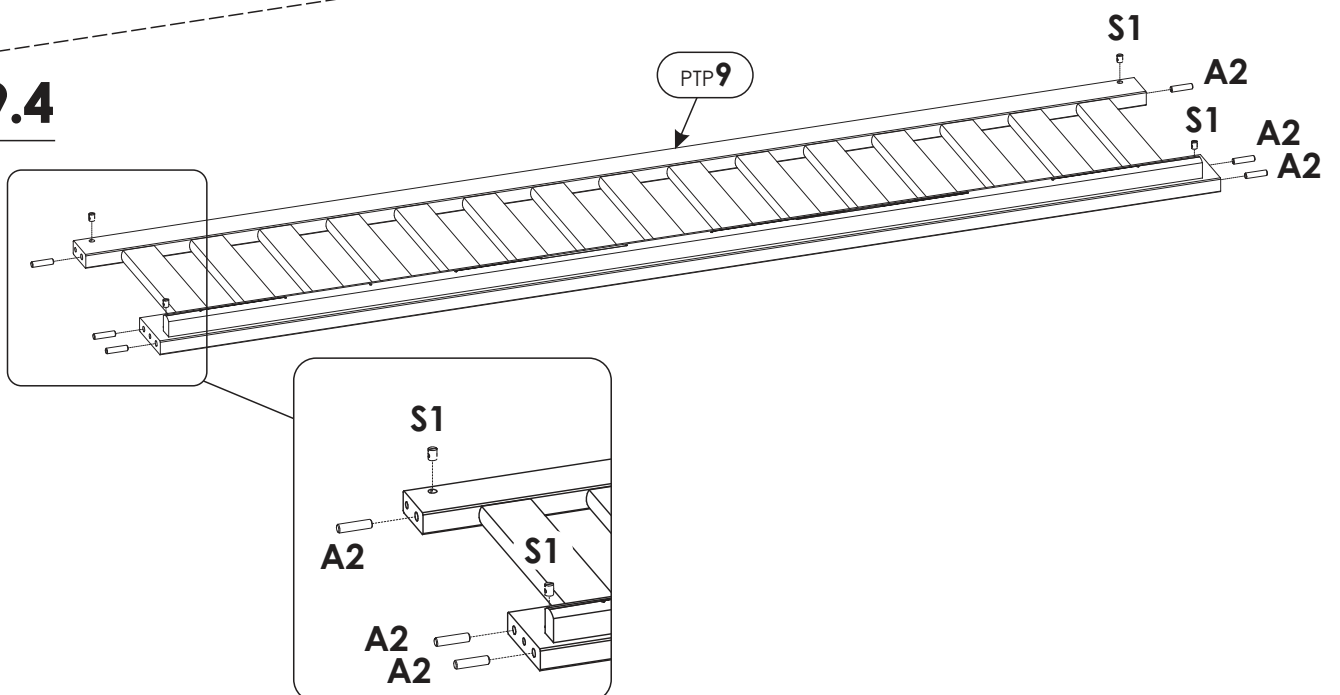
9.2



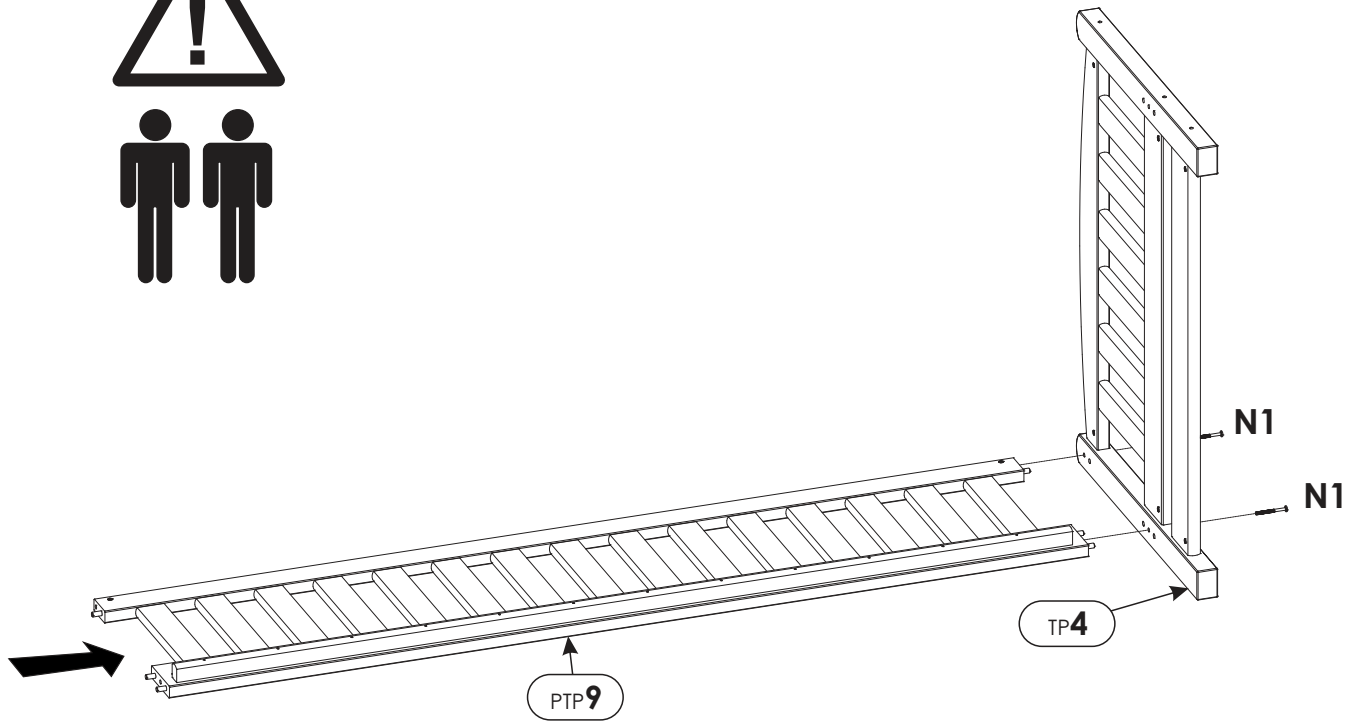
9.3



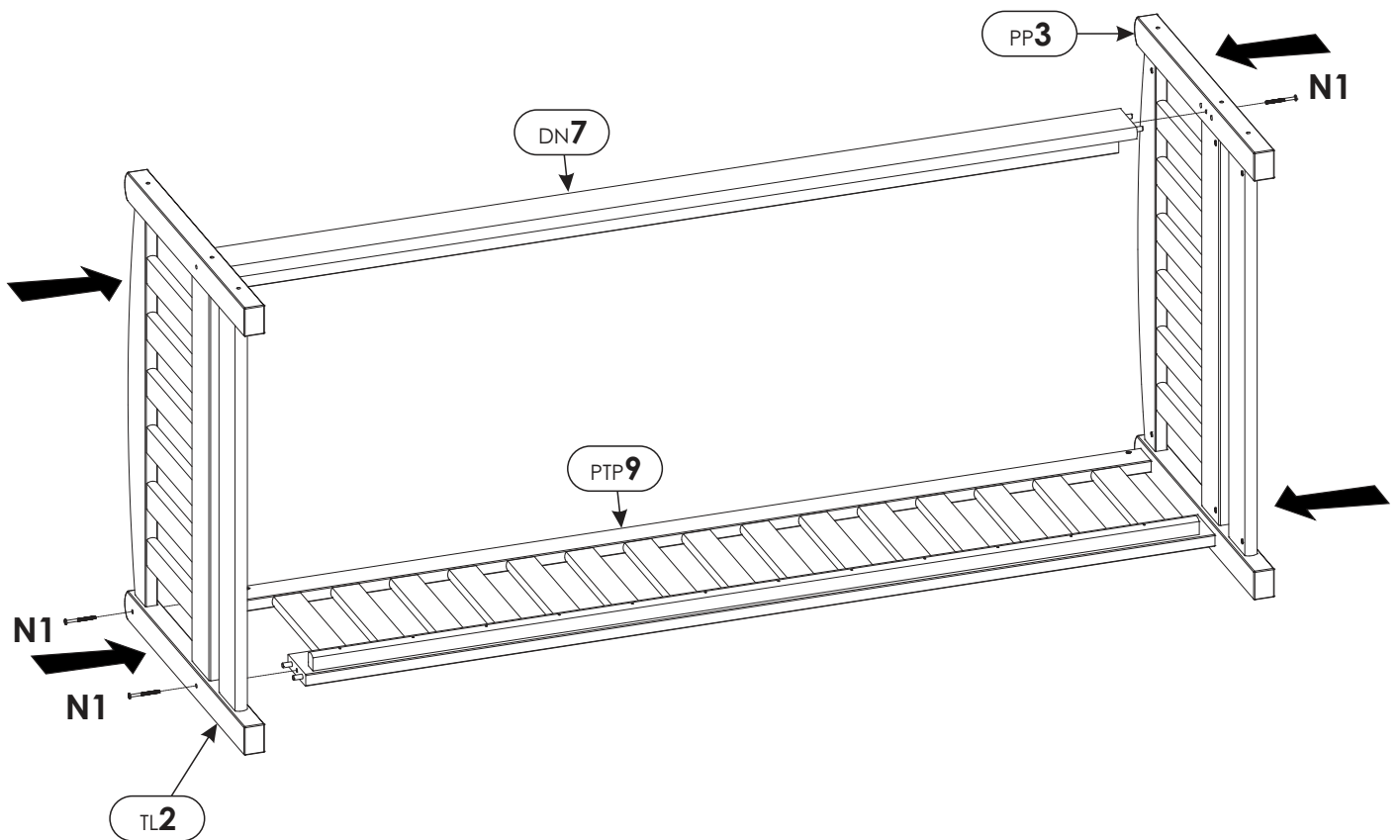
9.4



10.



11.



12.

