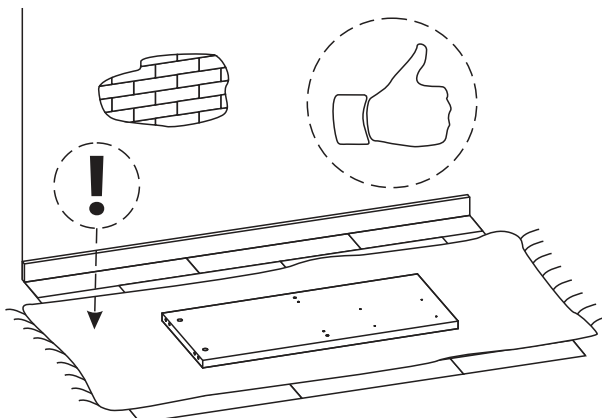
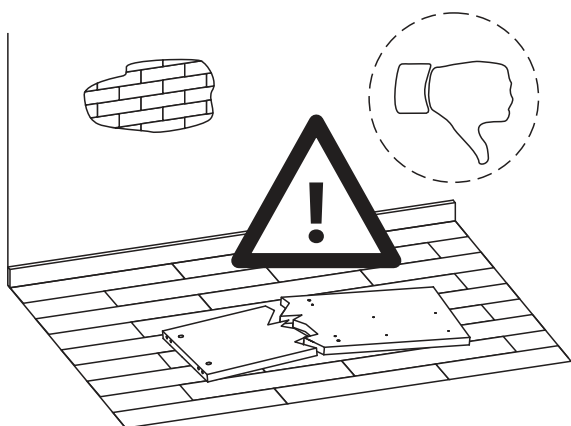
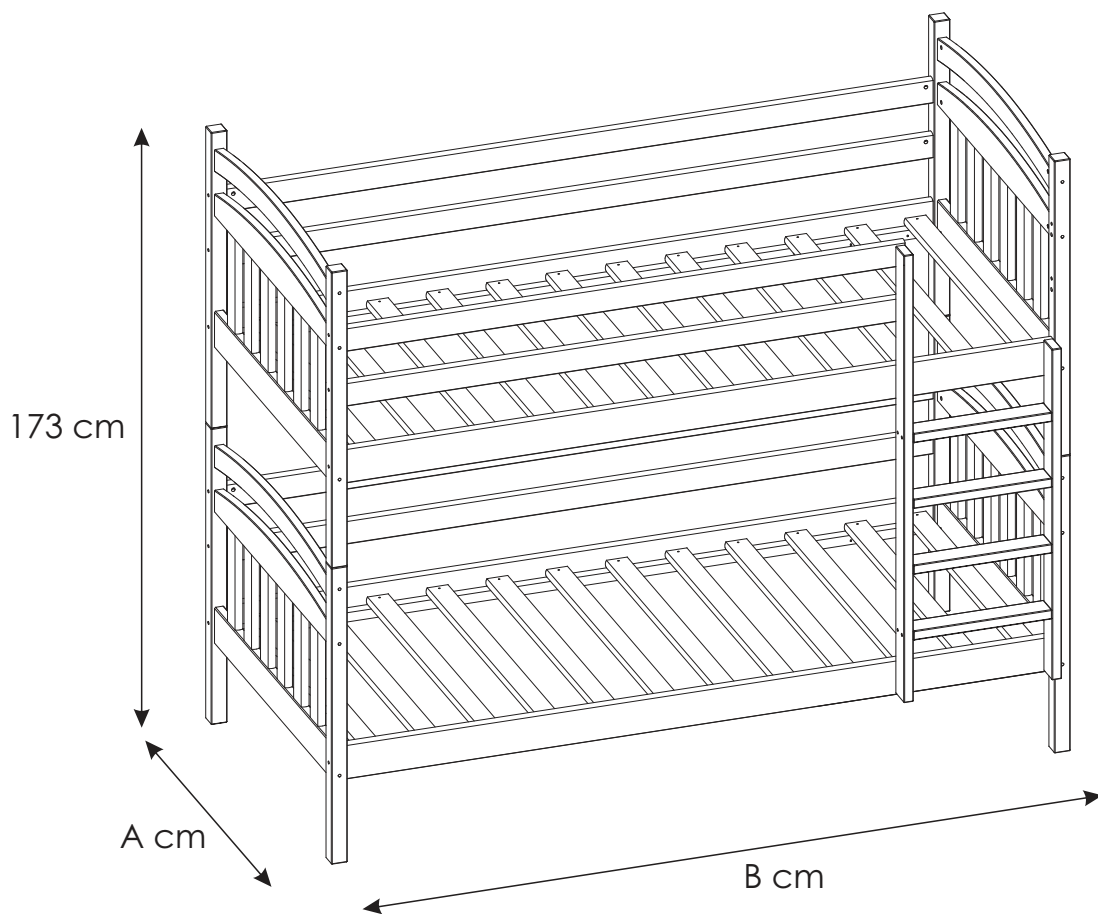
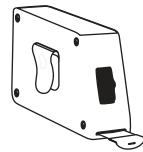
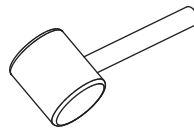
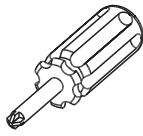
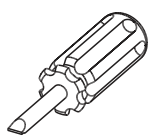
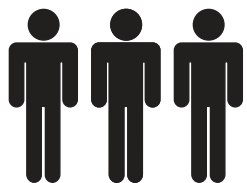
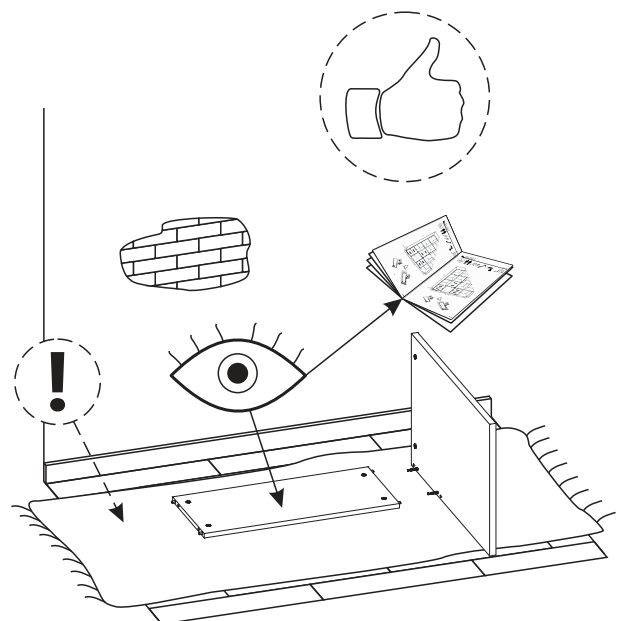
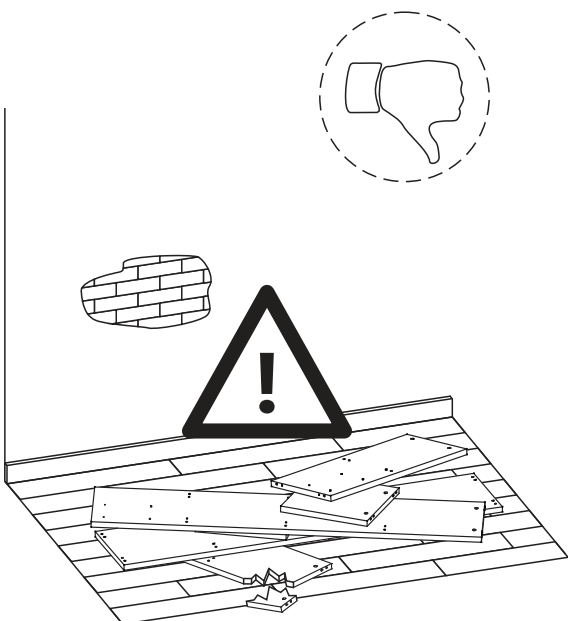
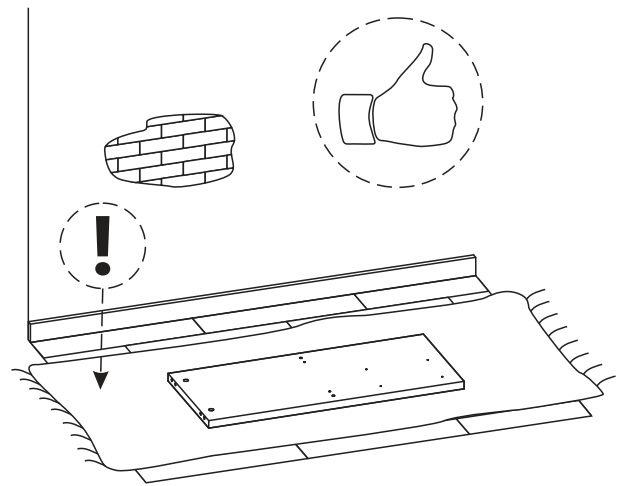
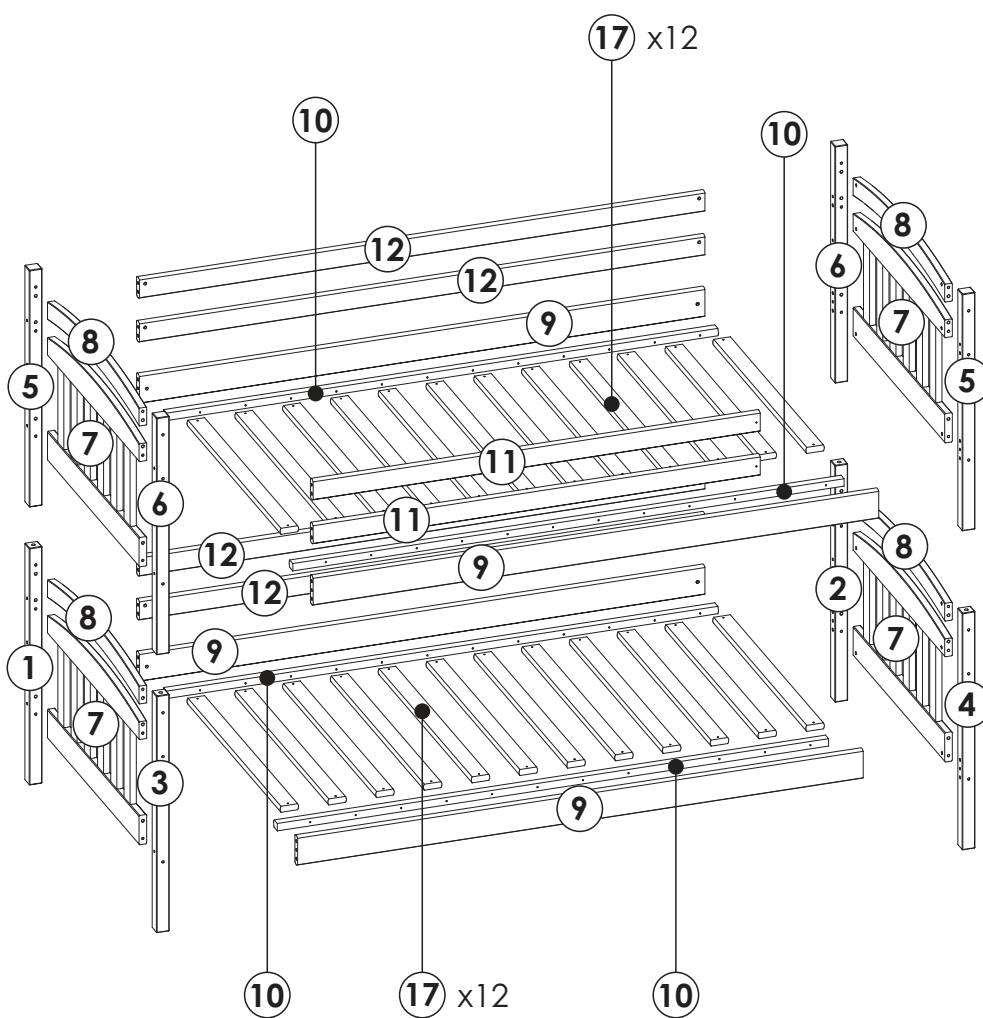
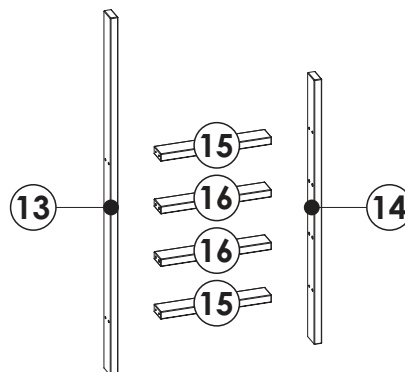
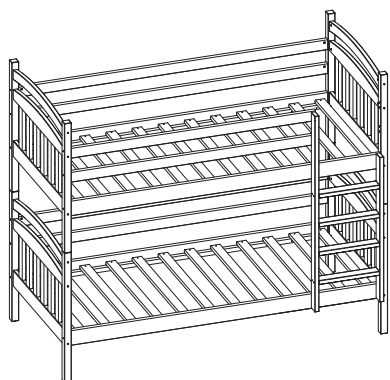


# PIOTR





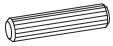
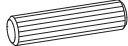
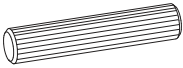






# PIOTR



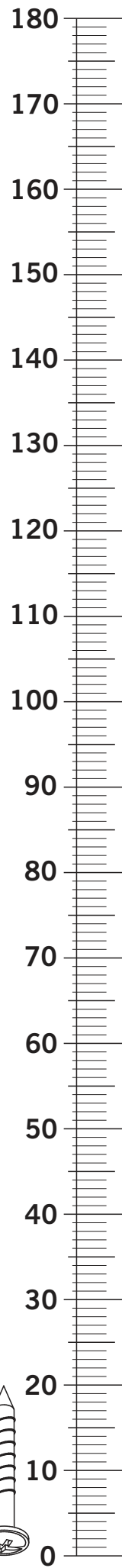
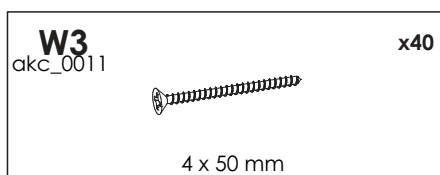
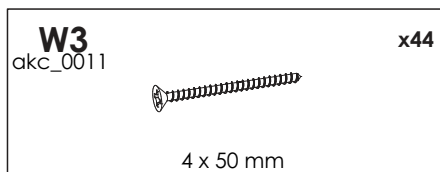
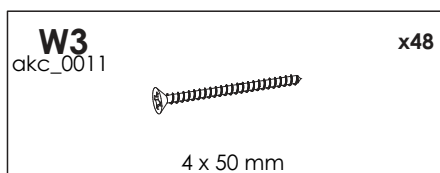
# PIOTR

MDL <b>1</b>	864	45	45	x1	MNDTL_00800
MDP <b>2</b>	864	45	45	x1	MNDTP_00790
MPL <b>3</b>	864	45	45	x1	MNDPL_00740
MPP <b>4</b>	864	45	45	x1	MNDPP_00740
PNP <b>5</b>	864	45	45	x2	PNGPP_0065
MNL <b>6</b>	864	45	45	x2	MNGPL_00770
PSC <b>7</b>	685, 785, 885	488	45	x4	PS_00470 DP_00480 DB_00610
DB <b>8</b>	685, 785, 885	107	27	x4	DB_00600
DN <b>9</b>	1390, 1590, 1690, 1790, 1890, 1990	107	27	x4	DN_00110
LS <b>10</b>	1340, 1540, 1640, 1740, 1840, 1940	35	27	x4	LS_00160
DWD <b>11</b>	973, 1173, 1273, 1373, 1473, 1573	75	27	x2	DW75DD_00940
DW <b>12</b>	1390, 1590, 1690, 1790, 1890, 1990	75	27	x4	DW75_00930
DP <b>13</b>	1305	65	27	x1	DDP4S_00630
DD <b>14</b>	965	65	27	x1	DDP4S_00620
DSS <b>15</b>	390	65	27	x2	DSS_00210
DSK <b>16</b>	390	65	27	x2	DSK_00220
DS <b>17</b>	700, 800, 900	65	22	x24	DS_00170

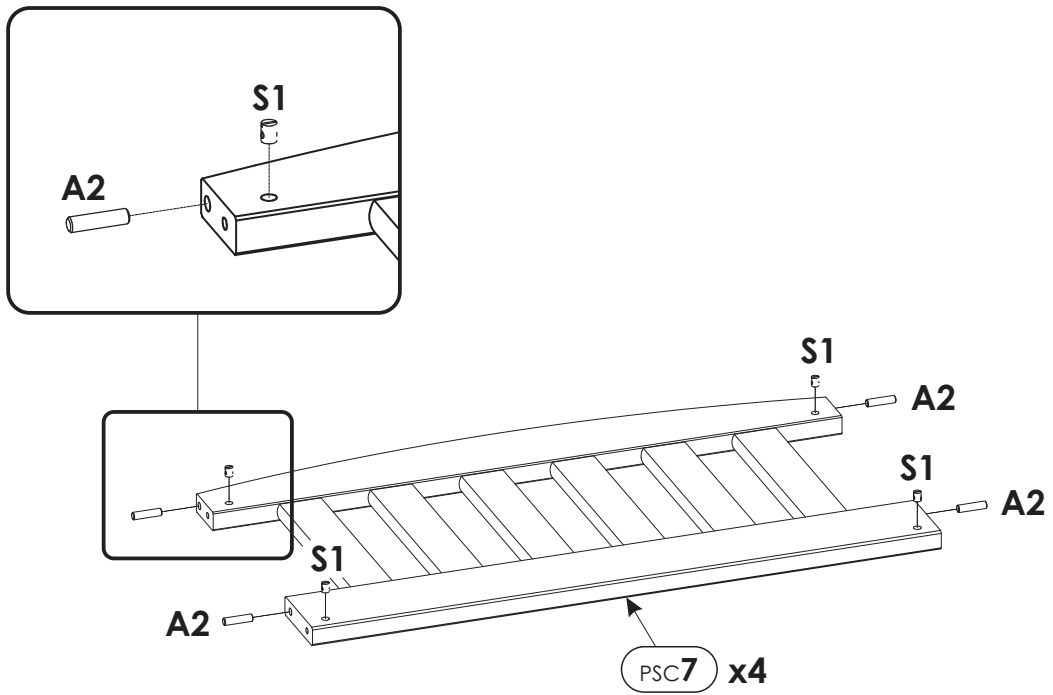
# PIOTR

<b>A1</b> akc_0001  8 x 35 mm x8	<b>A2</b> akc_0002  10 x 40 mm x50	<b>A3</b> akc_0003  12 x 60 mm x4
<b>K1</b> akc_0004  6,4 x 50 mm x8	<b>M</b> akc_0005  x1	<b>N1</b> akc_0006  6 x 80 mm x42
<b>S1</b> akc_0008  10 x 16 mm x42	<b>W1</b> akc_0009  3,5 x 40 mm x48	<b>W4</b> akc_0012  4 x 60 mm x6

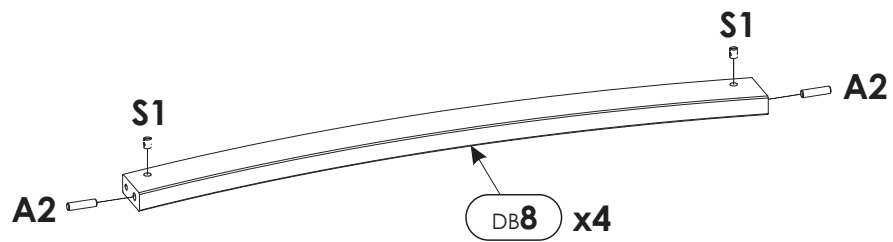
## OPTION



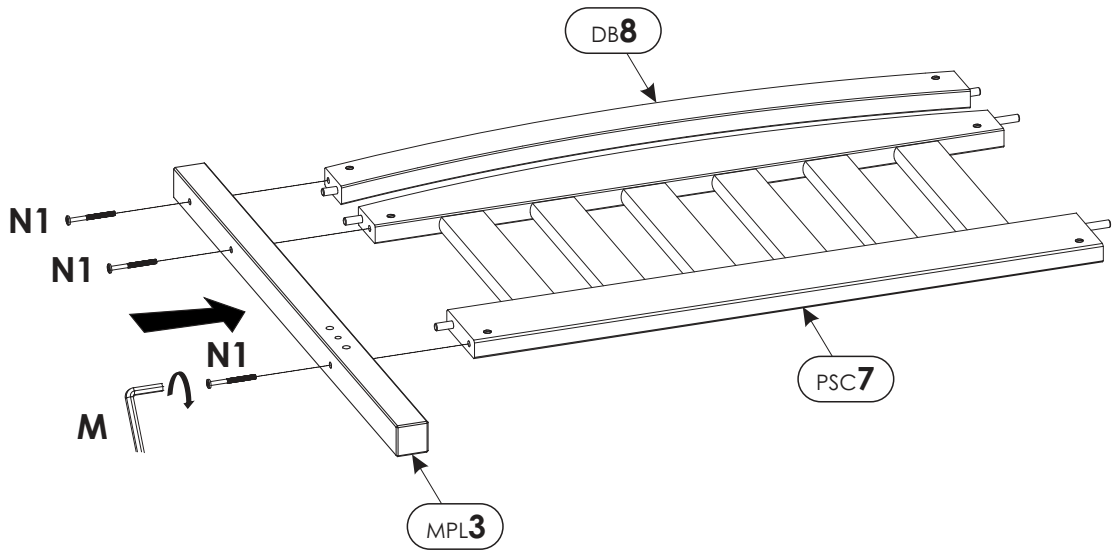
# 1.



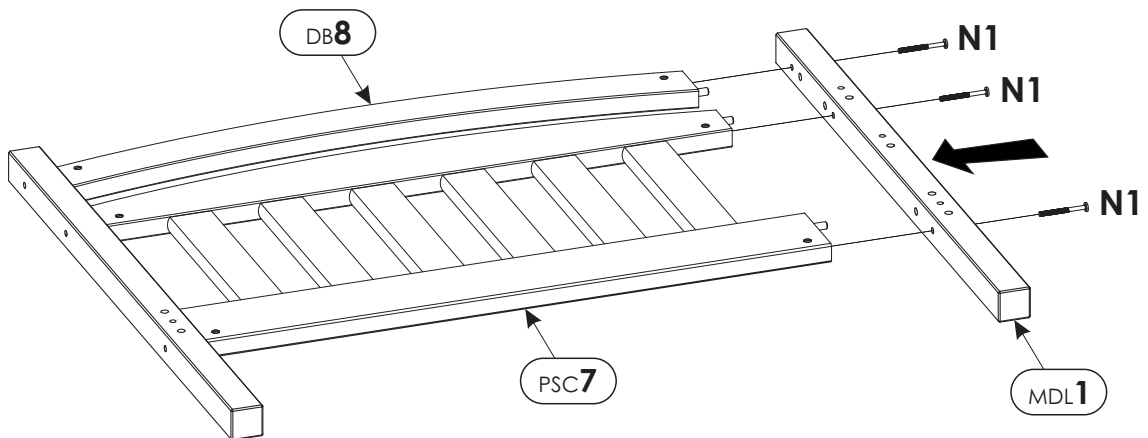
# 2.



3.



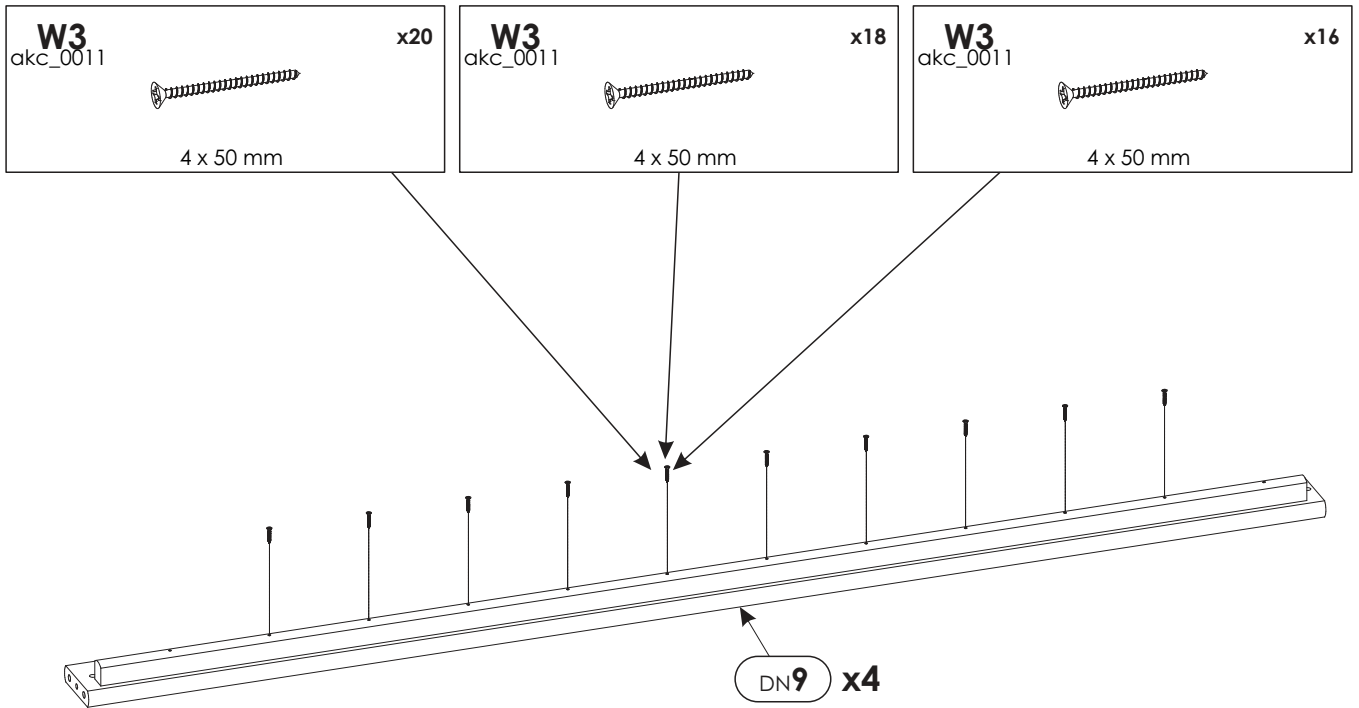
4.



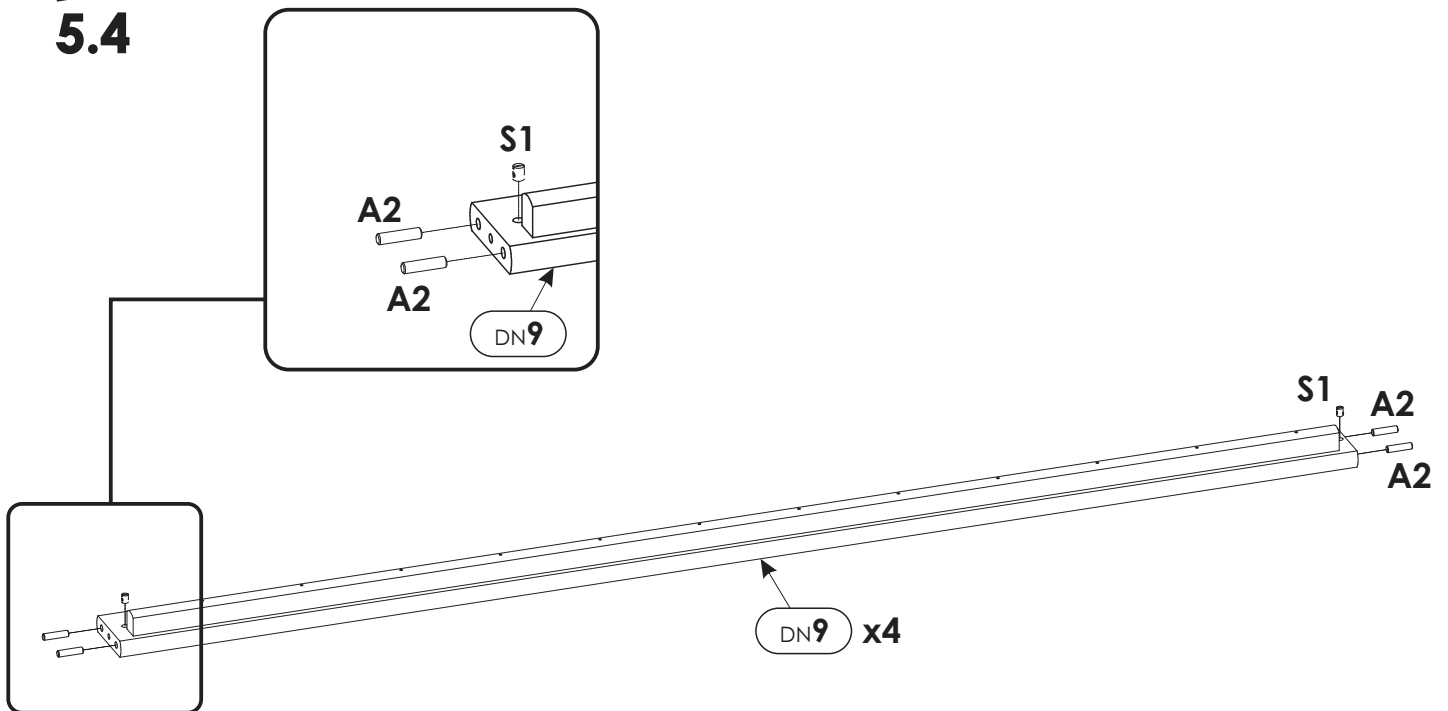




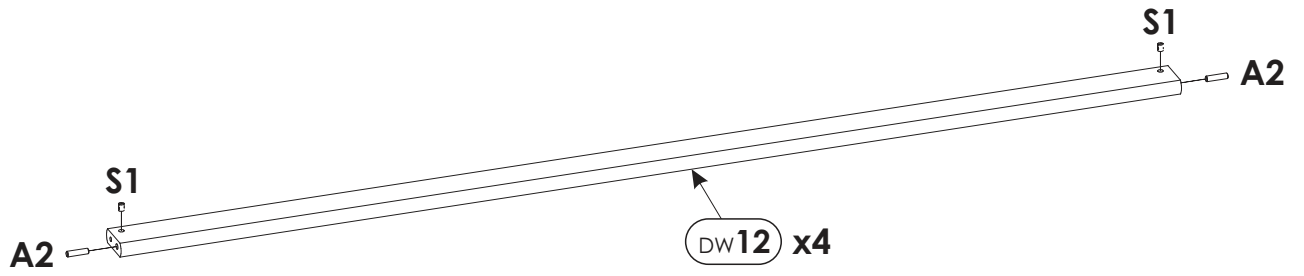
# 5.3



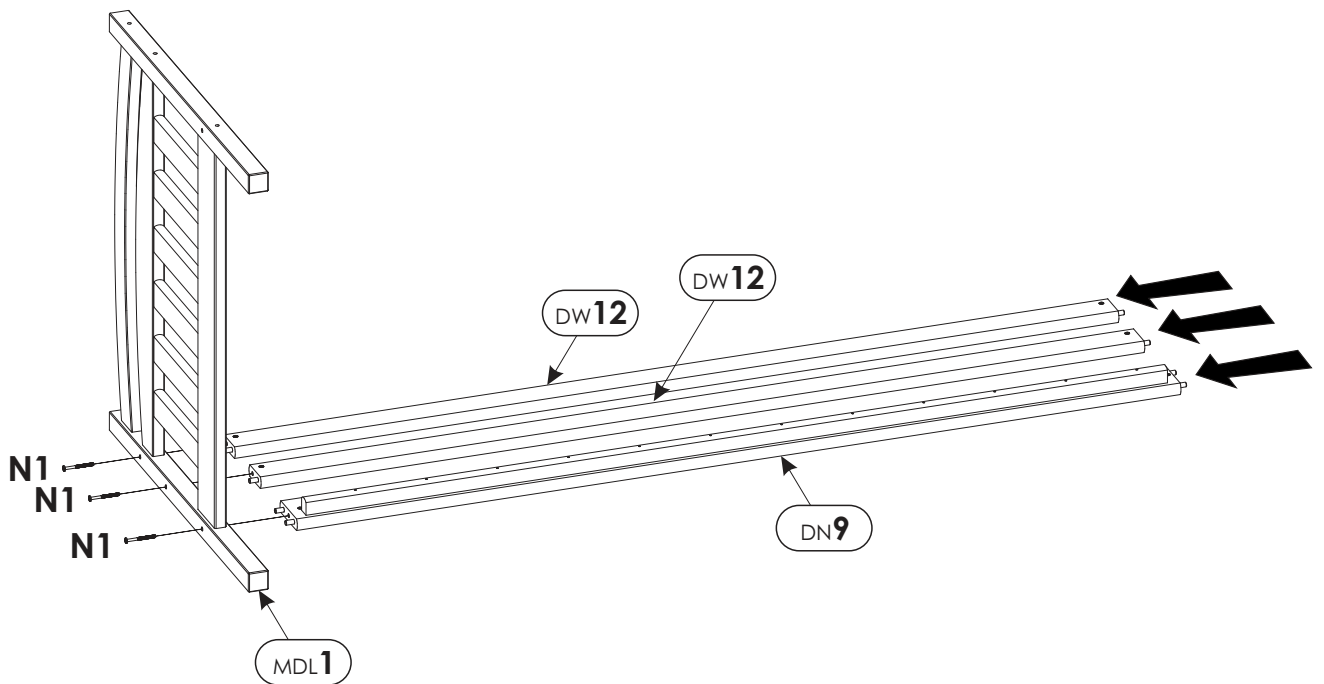
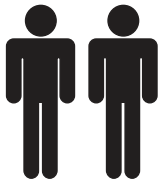
# 5.4



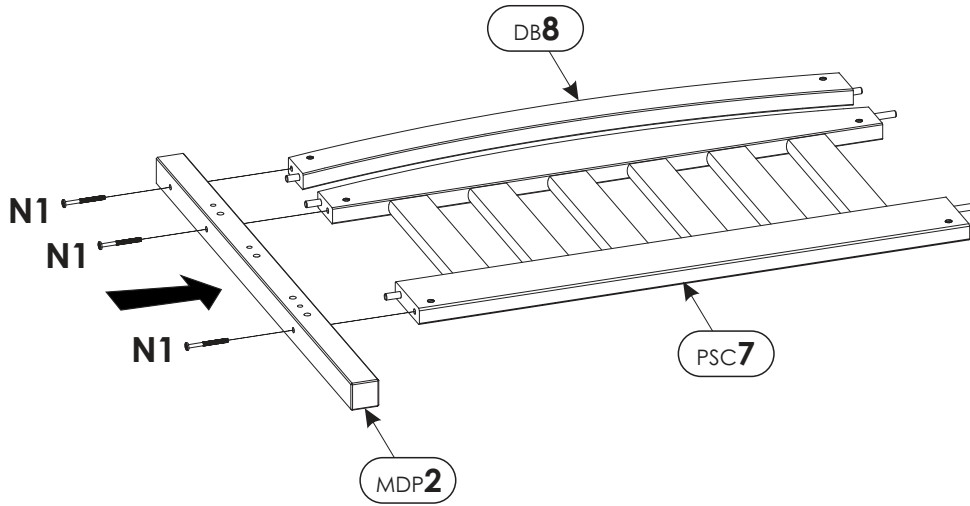
6.



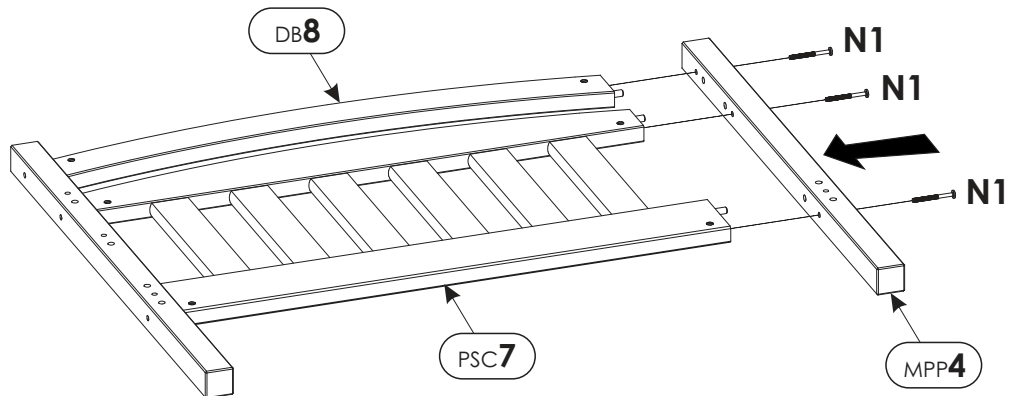
7.



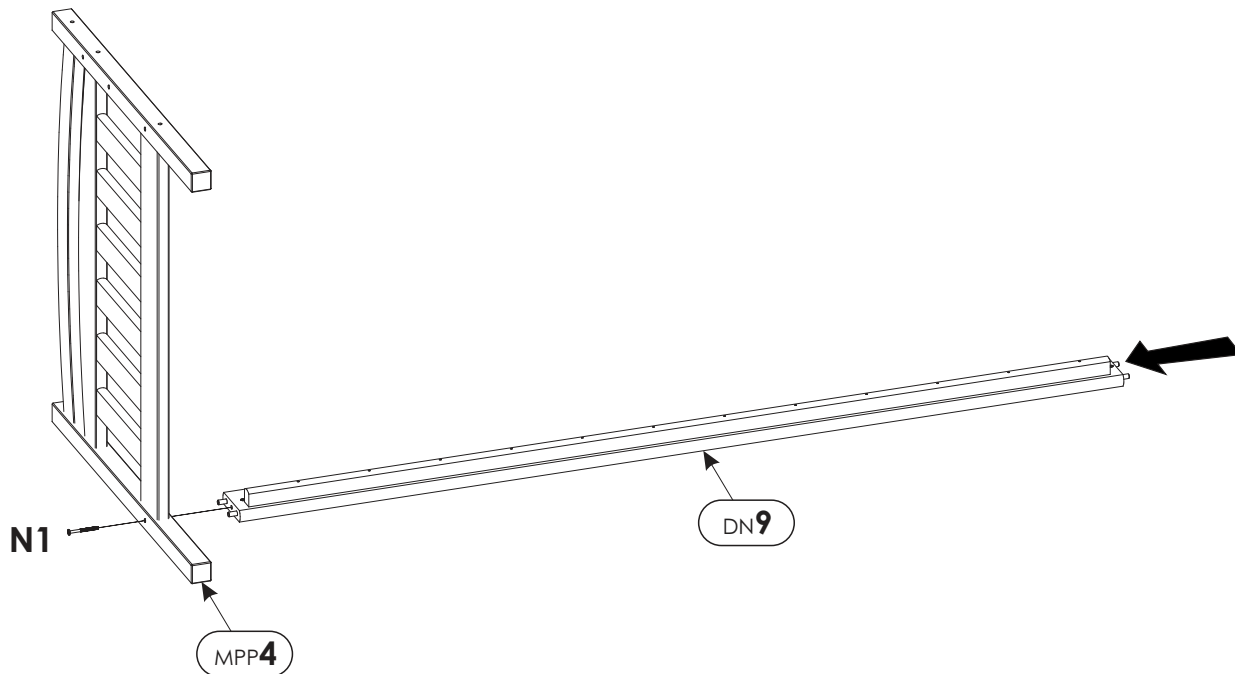
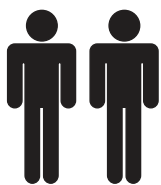
8.



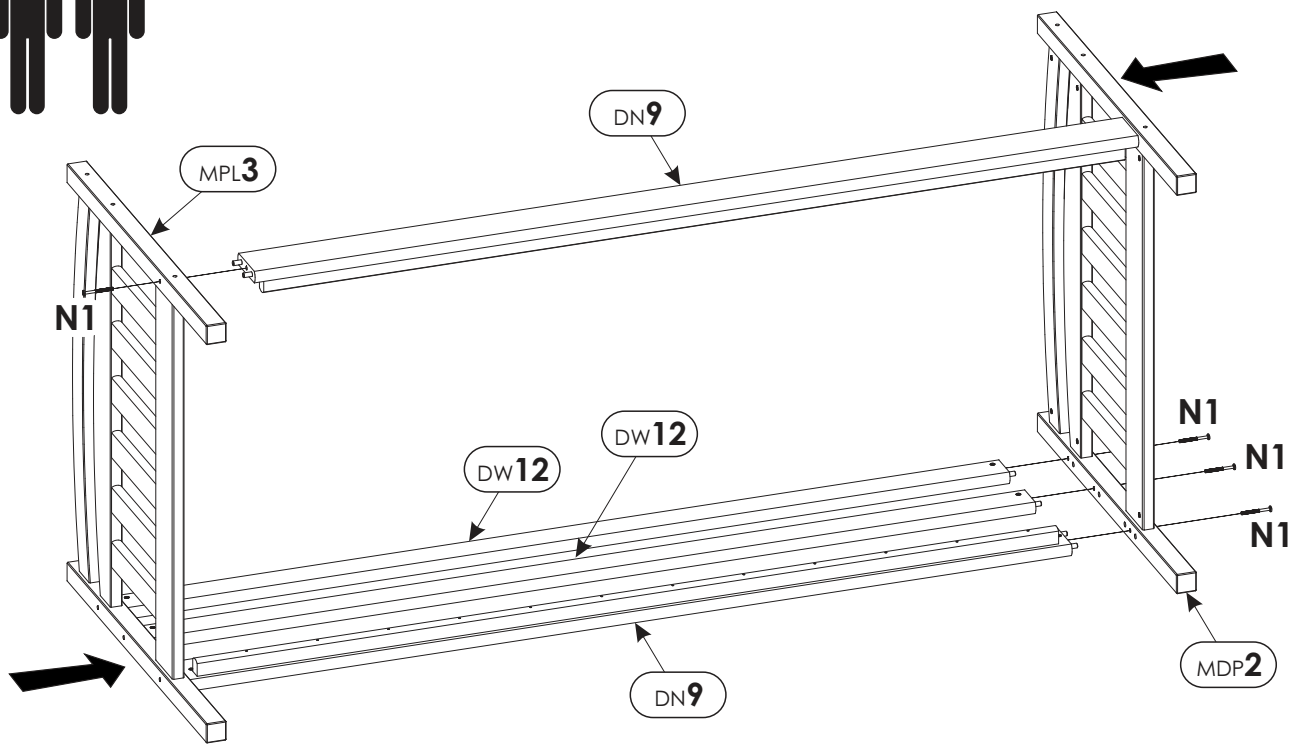
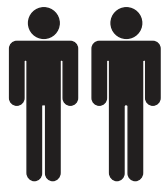
9.



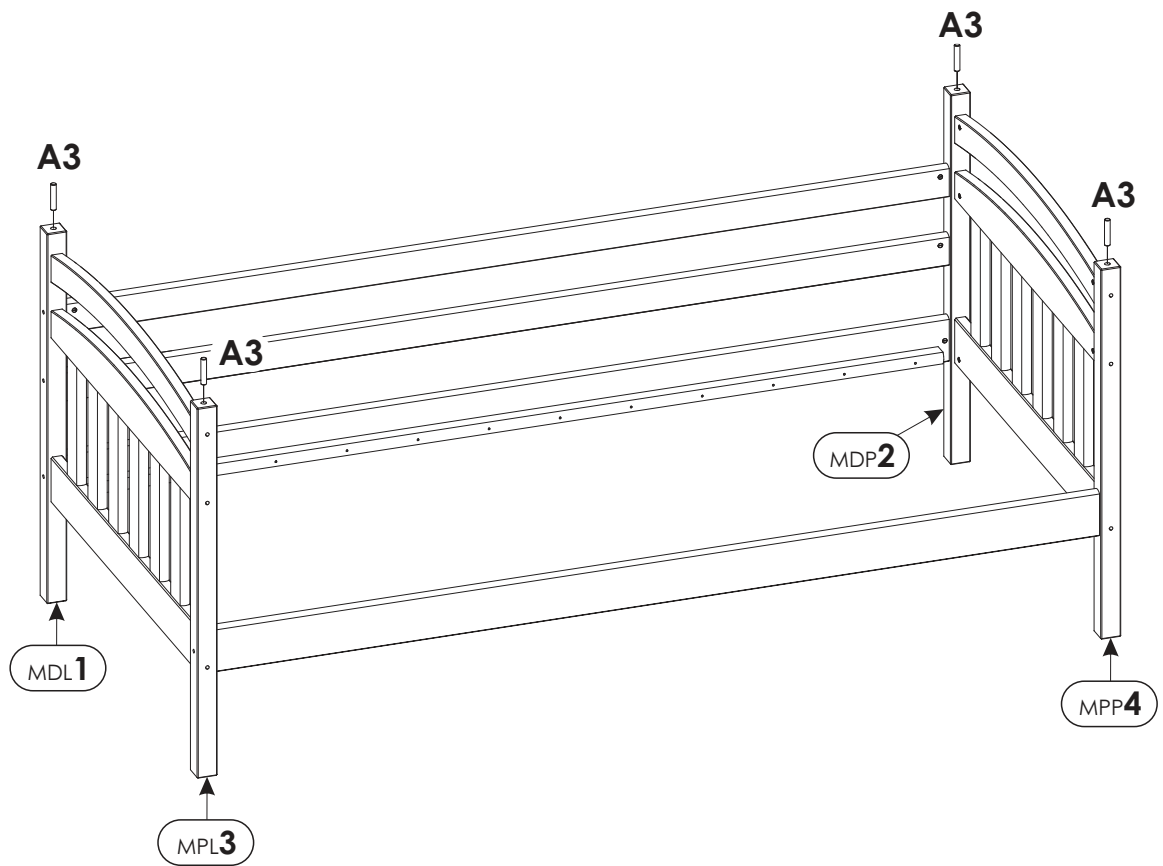
10.



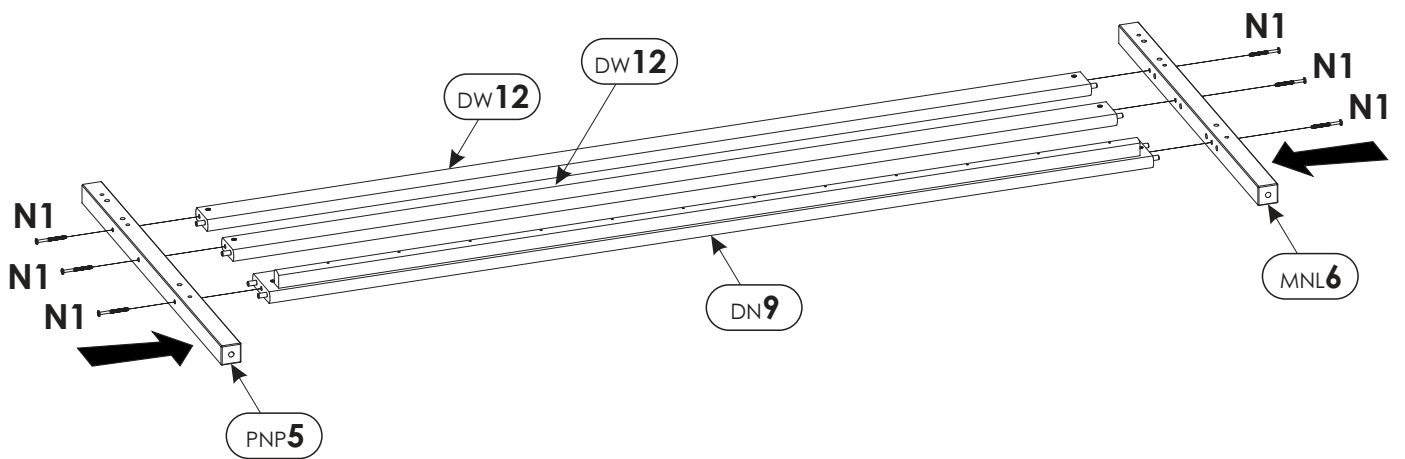
11.



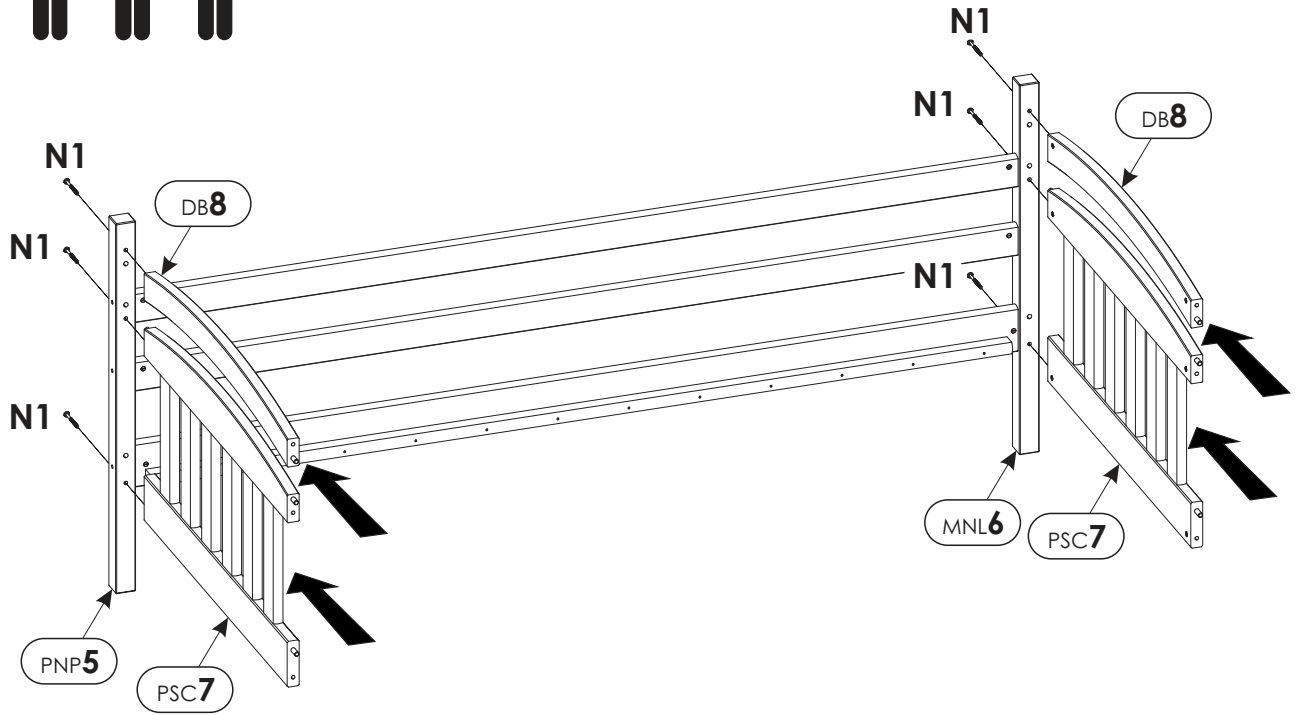
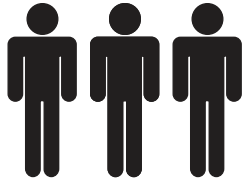
# 12.



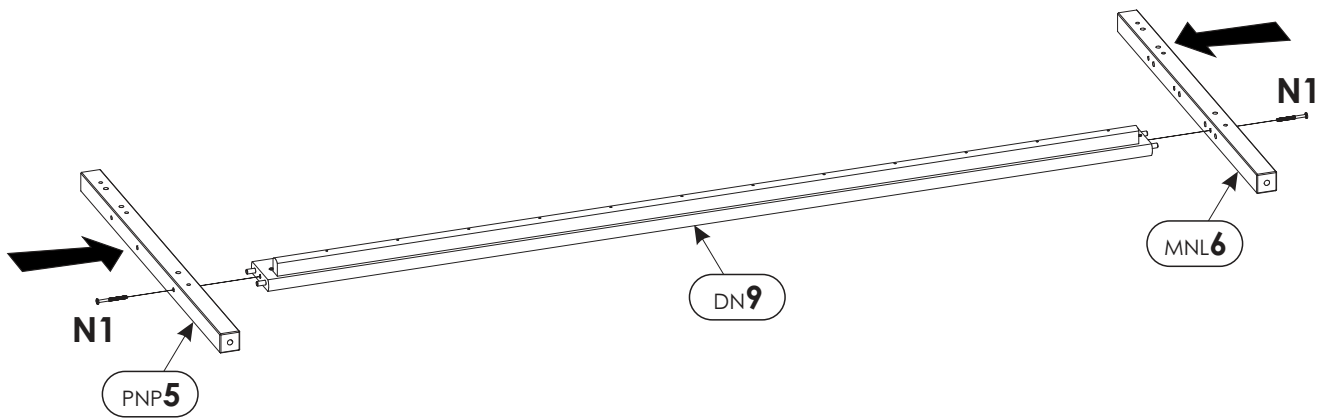
# 13.

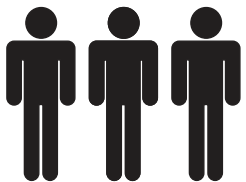


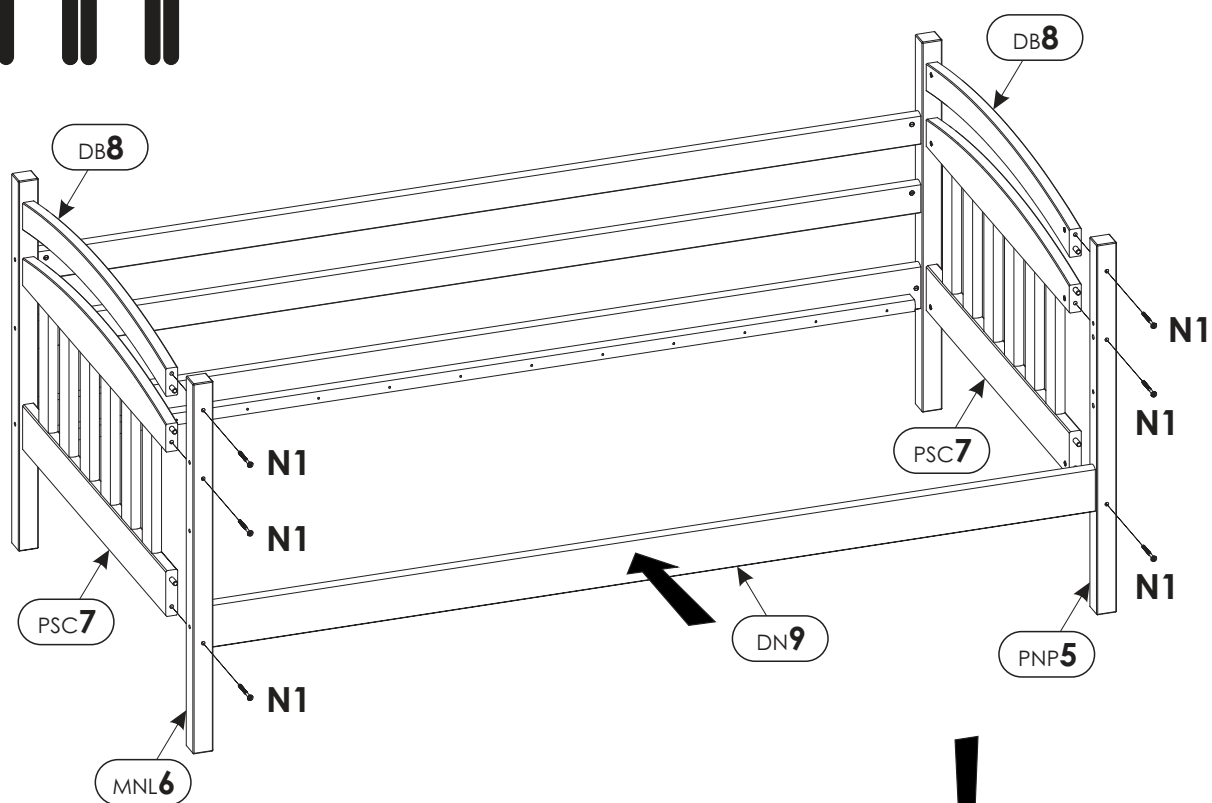
# 14.



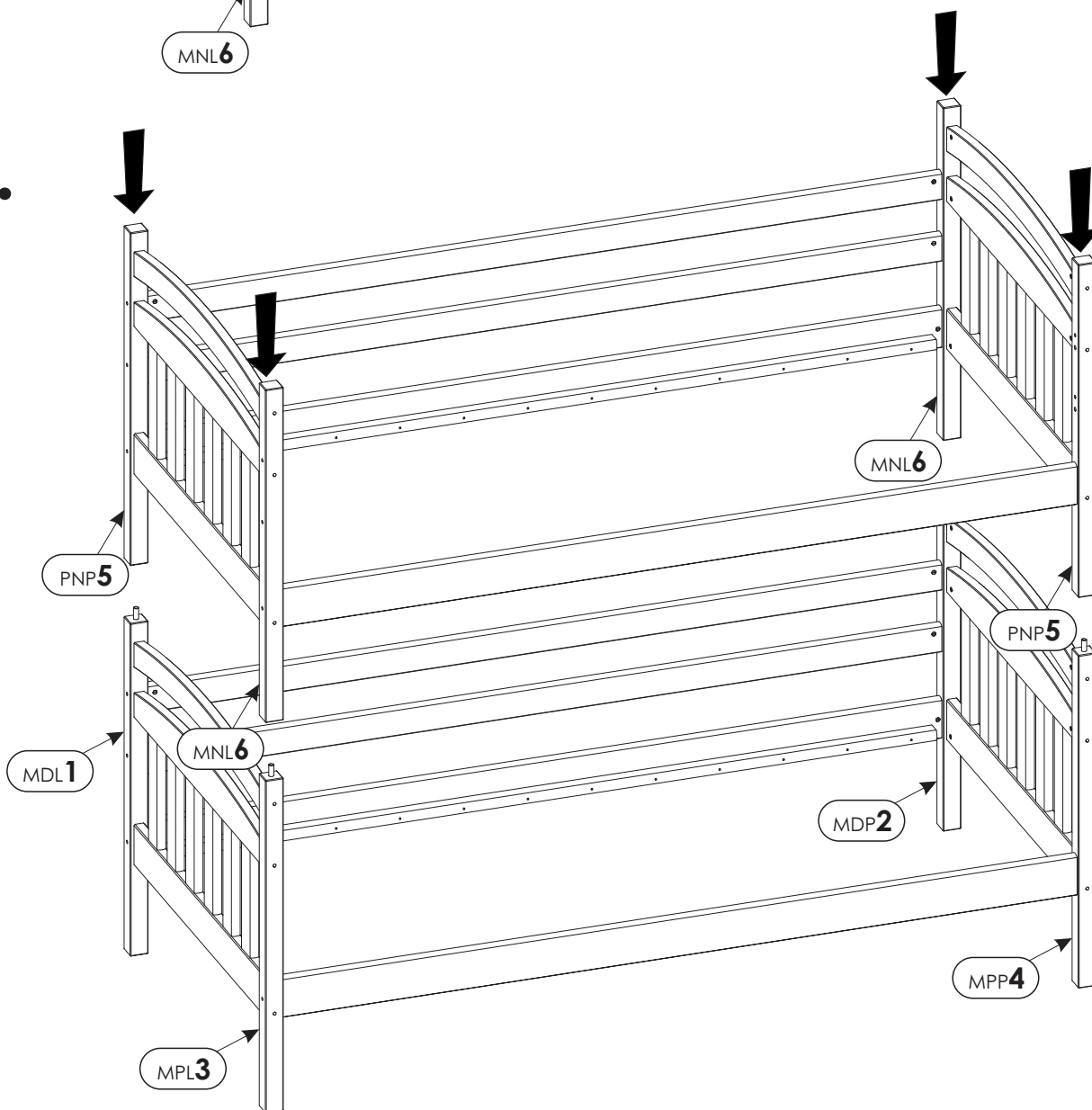
# 15.



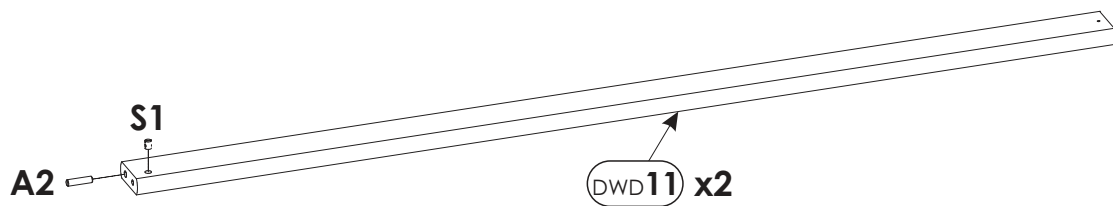
16. 



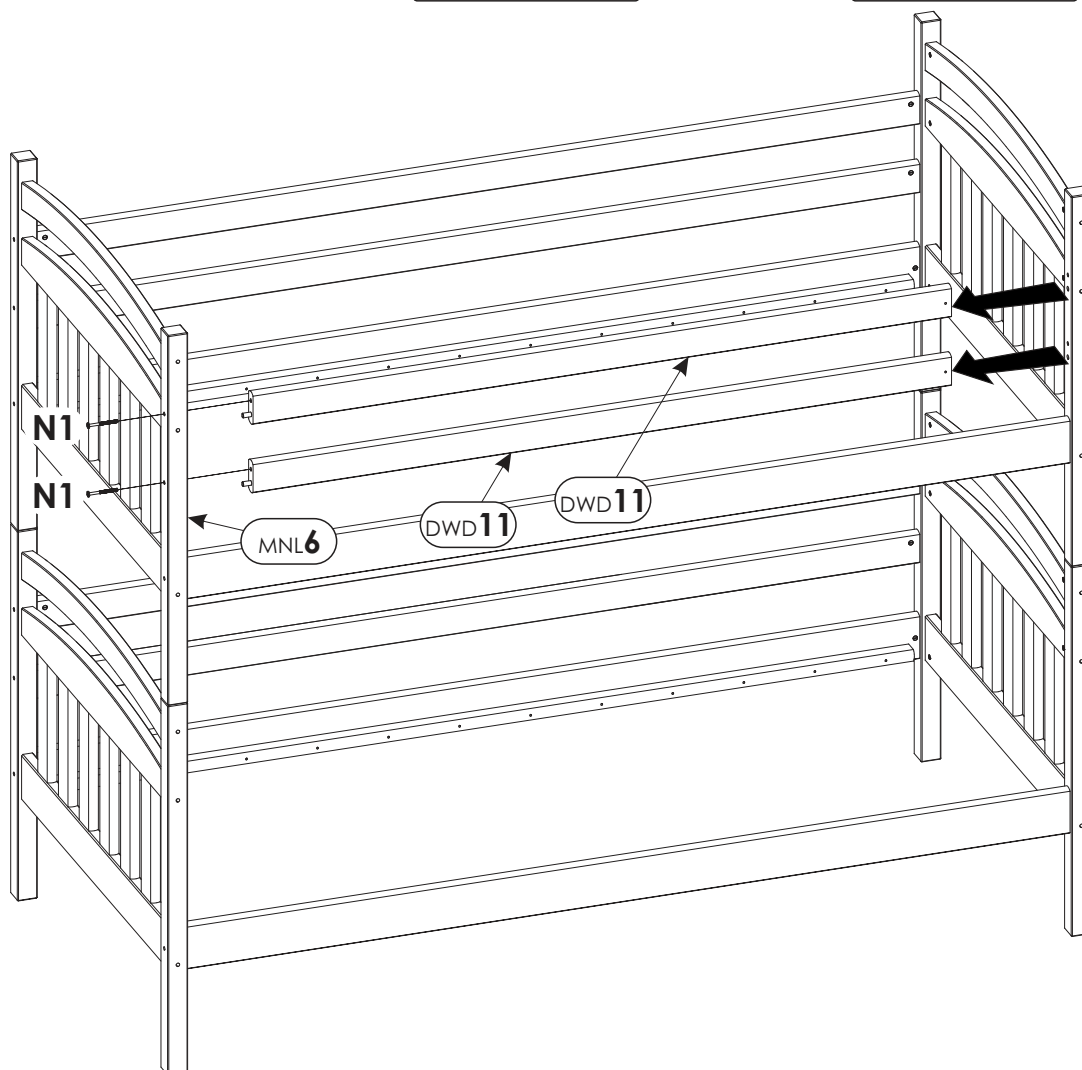
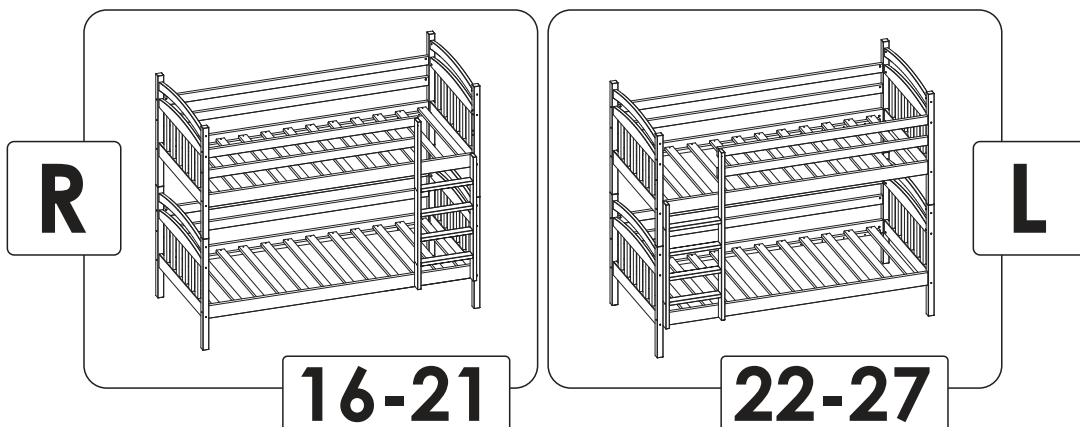
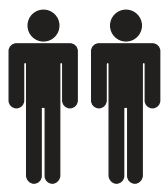
17.



# 18.



# 19.

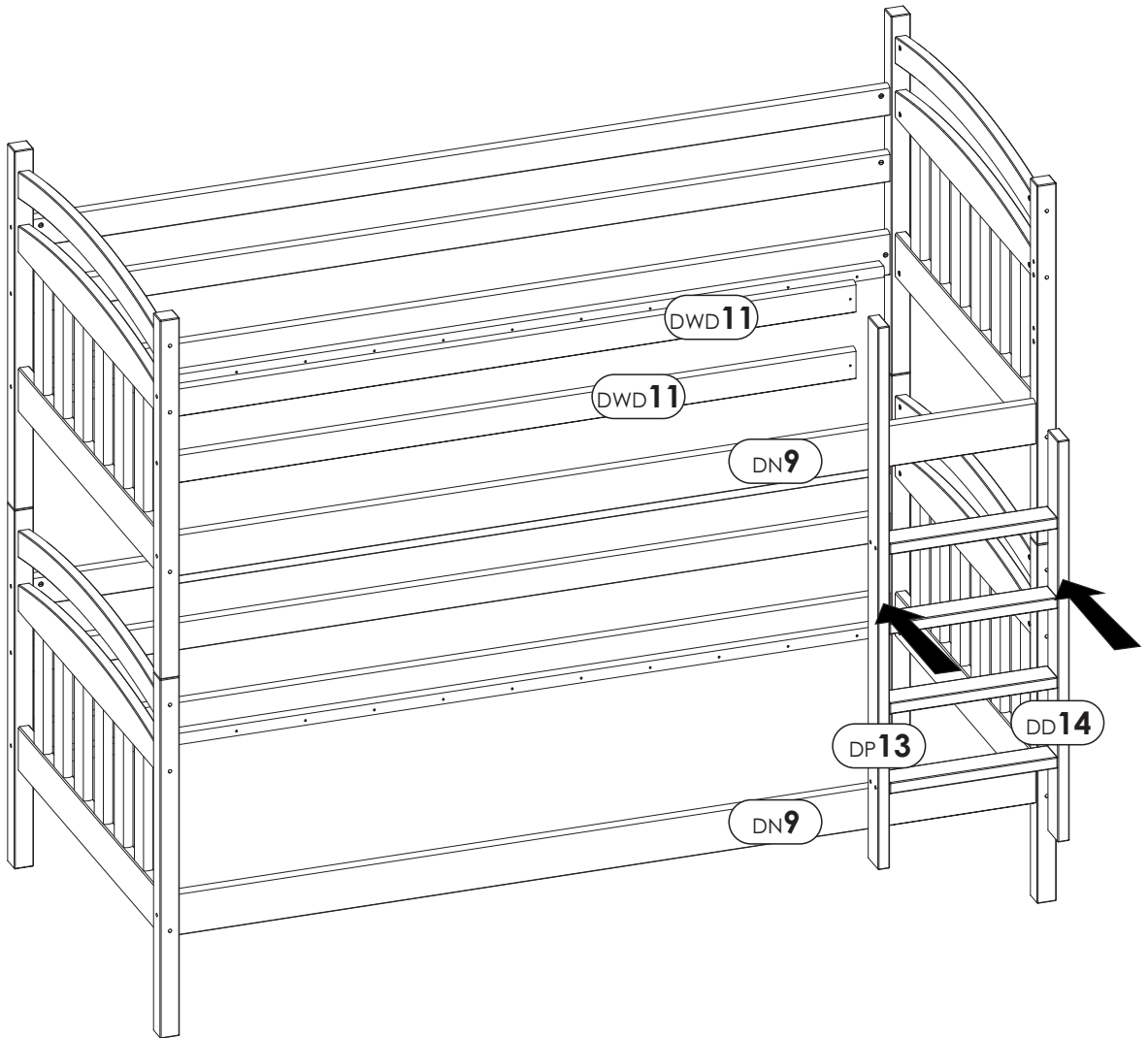
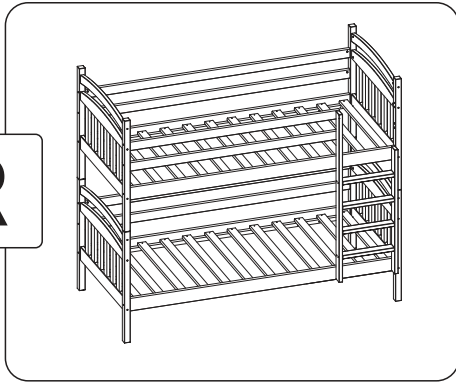






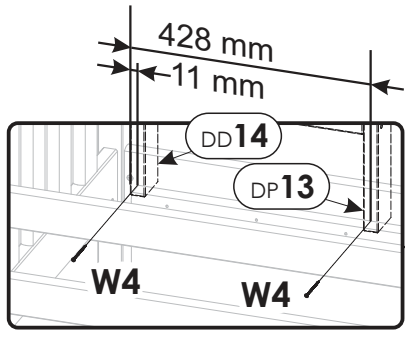
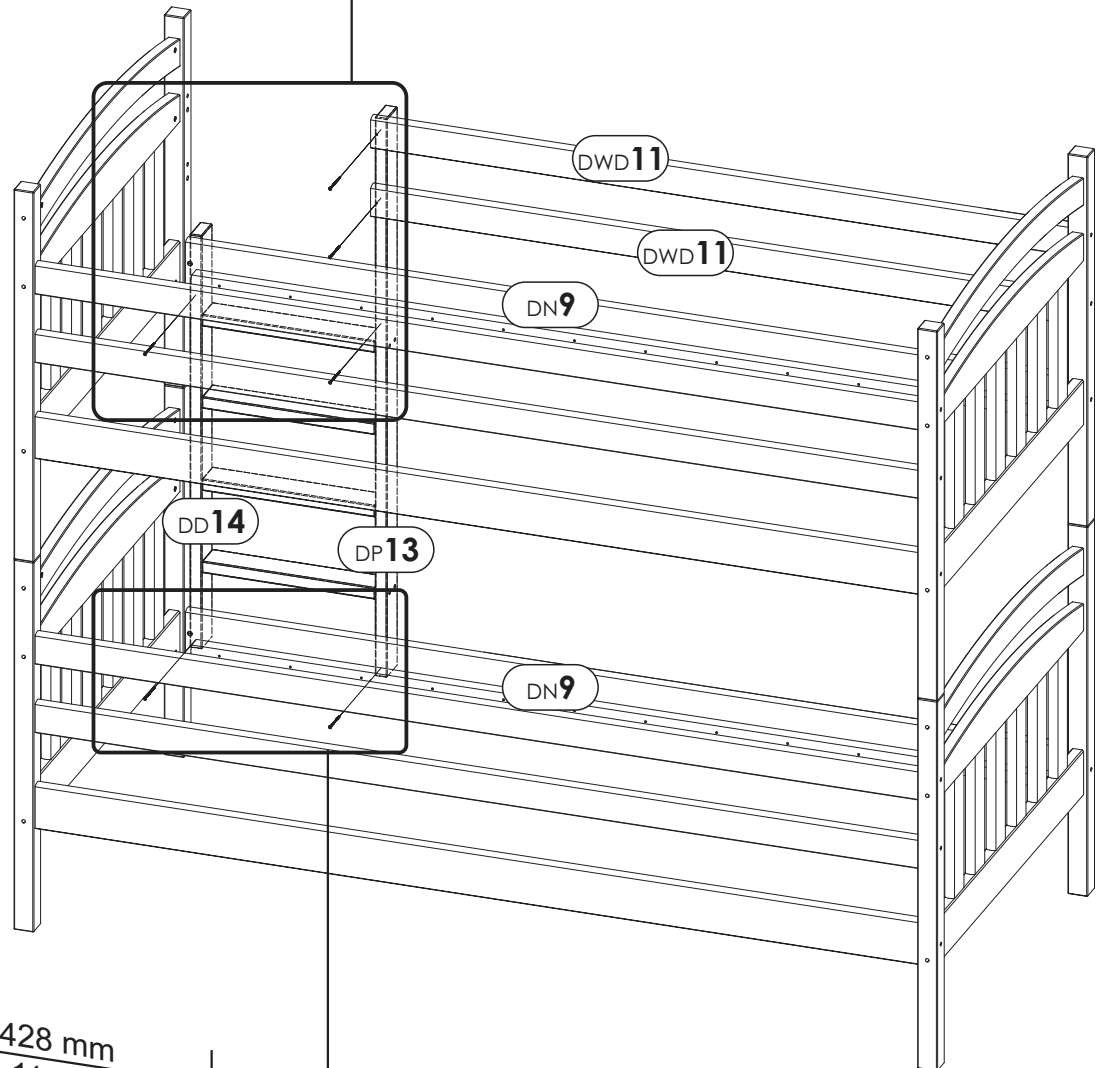
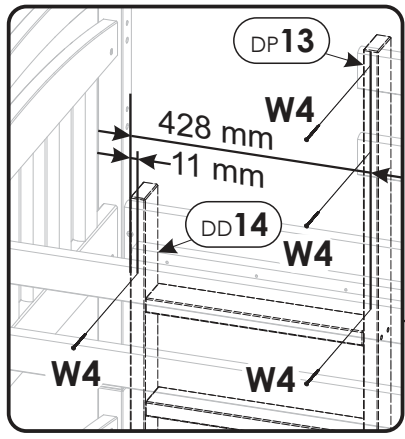
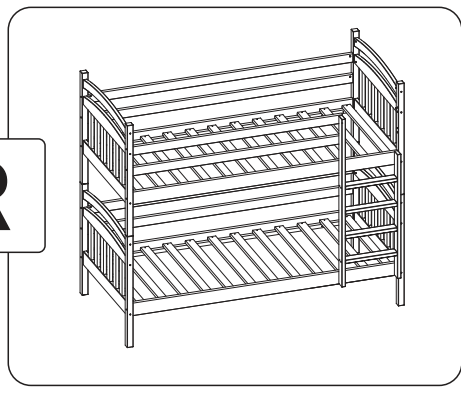
22.

R



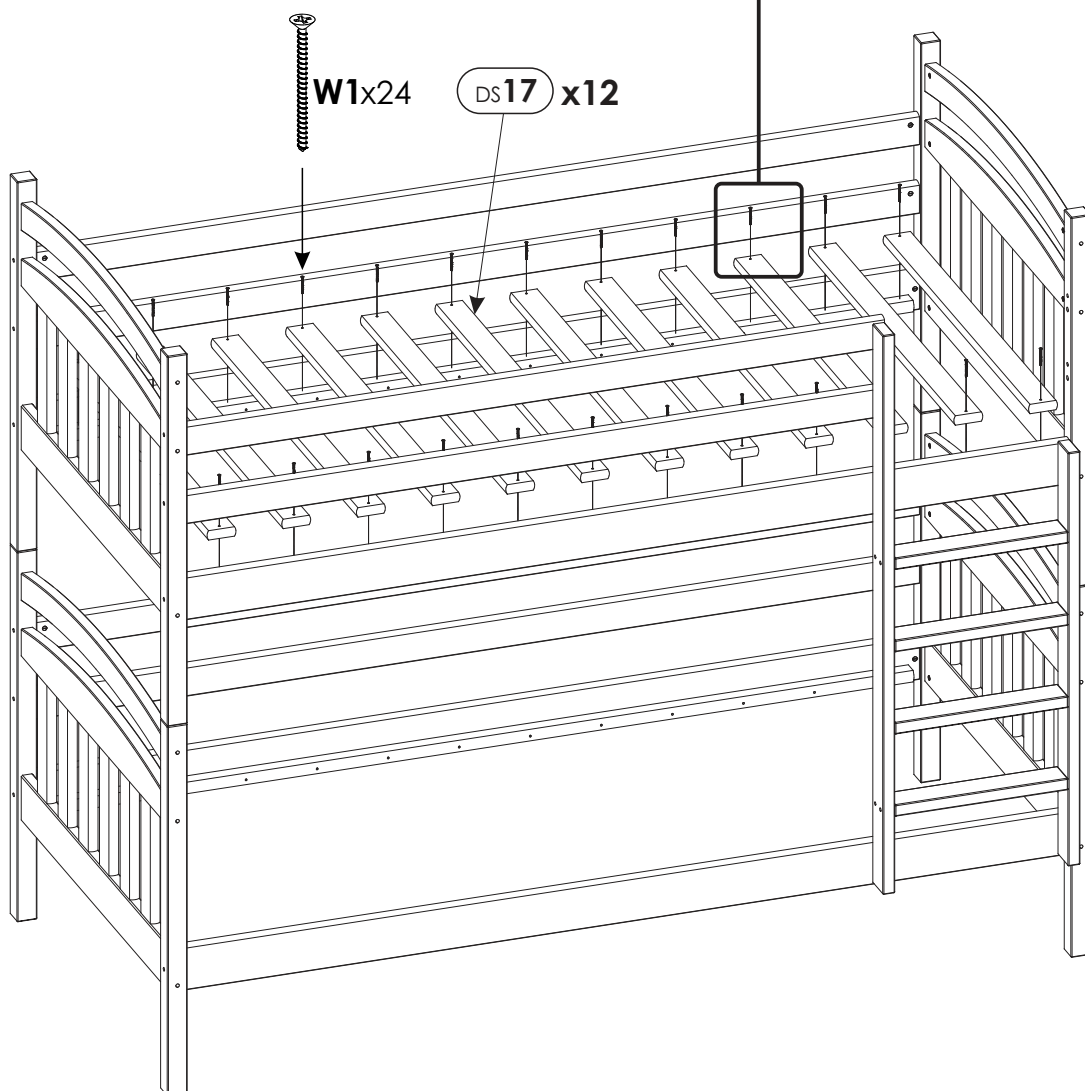
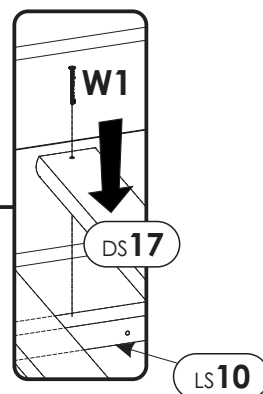
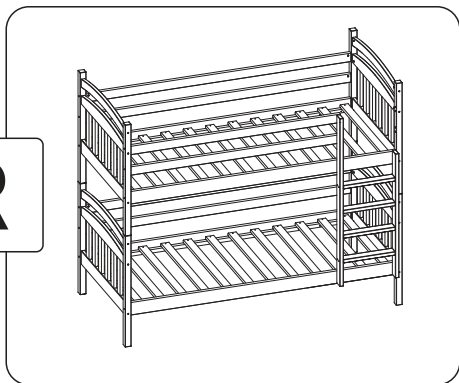
# 23.

**R**



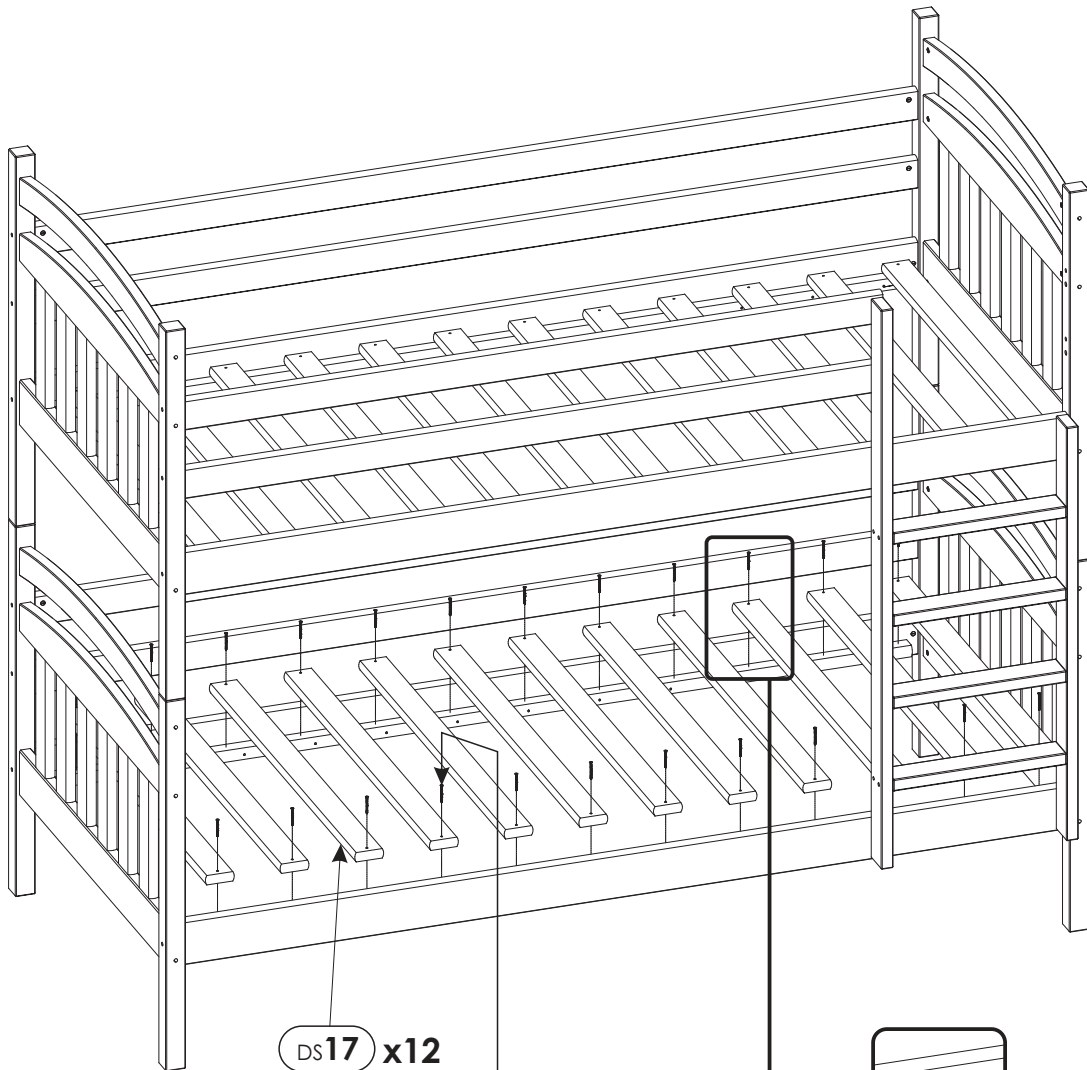
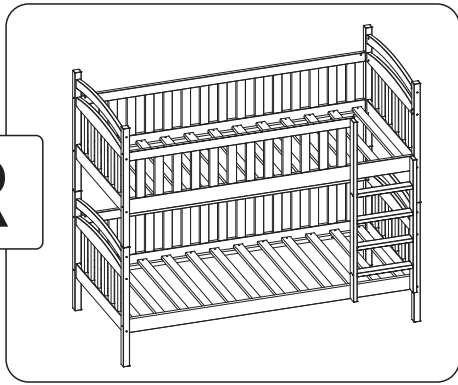
24.

R



25.

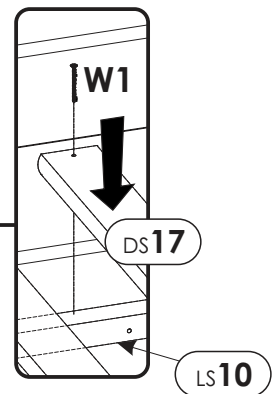
R



DS17 x12



W1x24

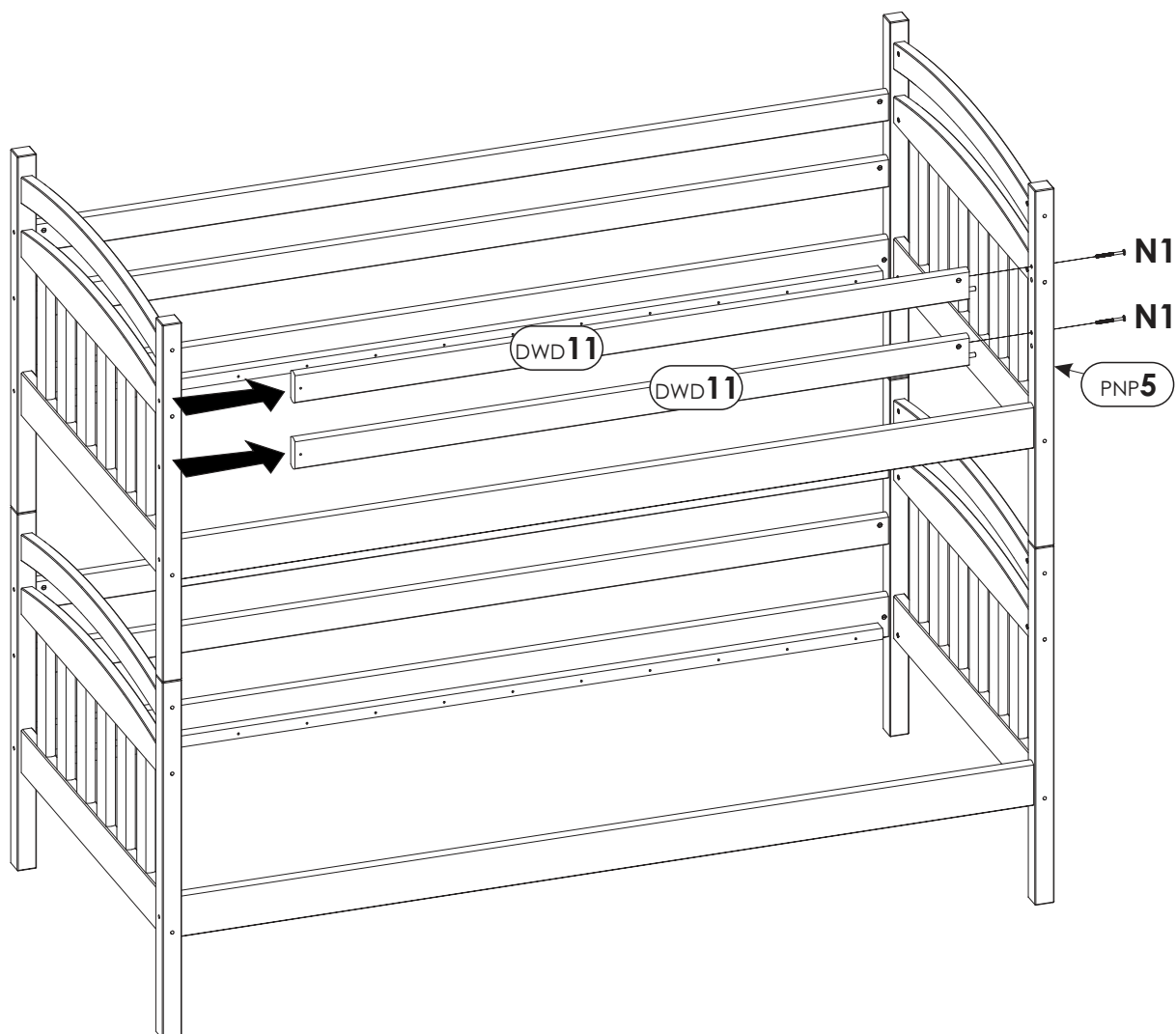
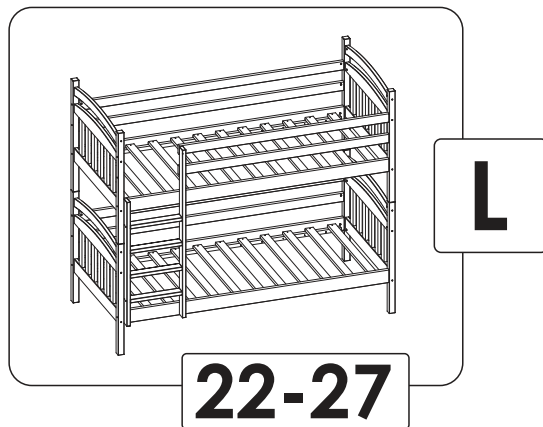
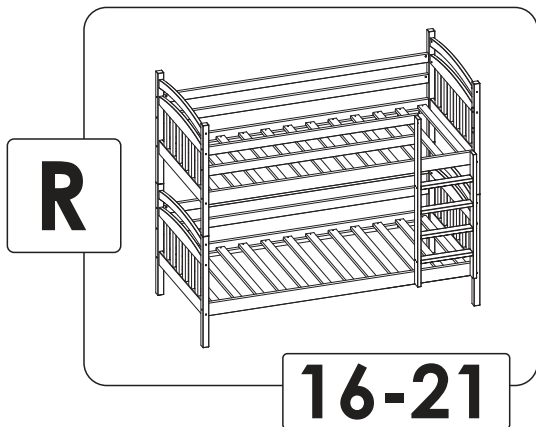
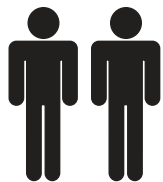


W1

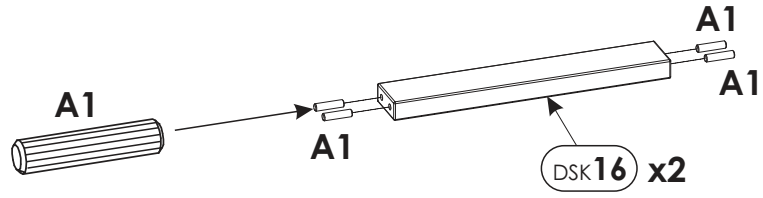
DS17

LS10

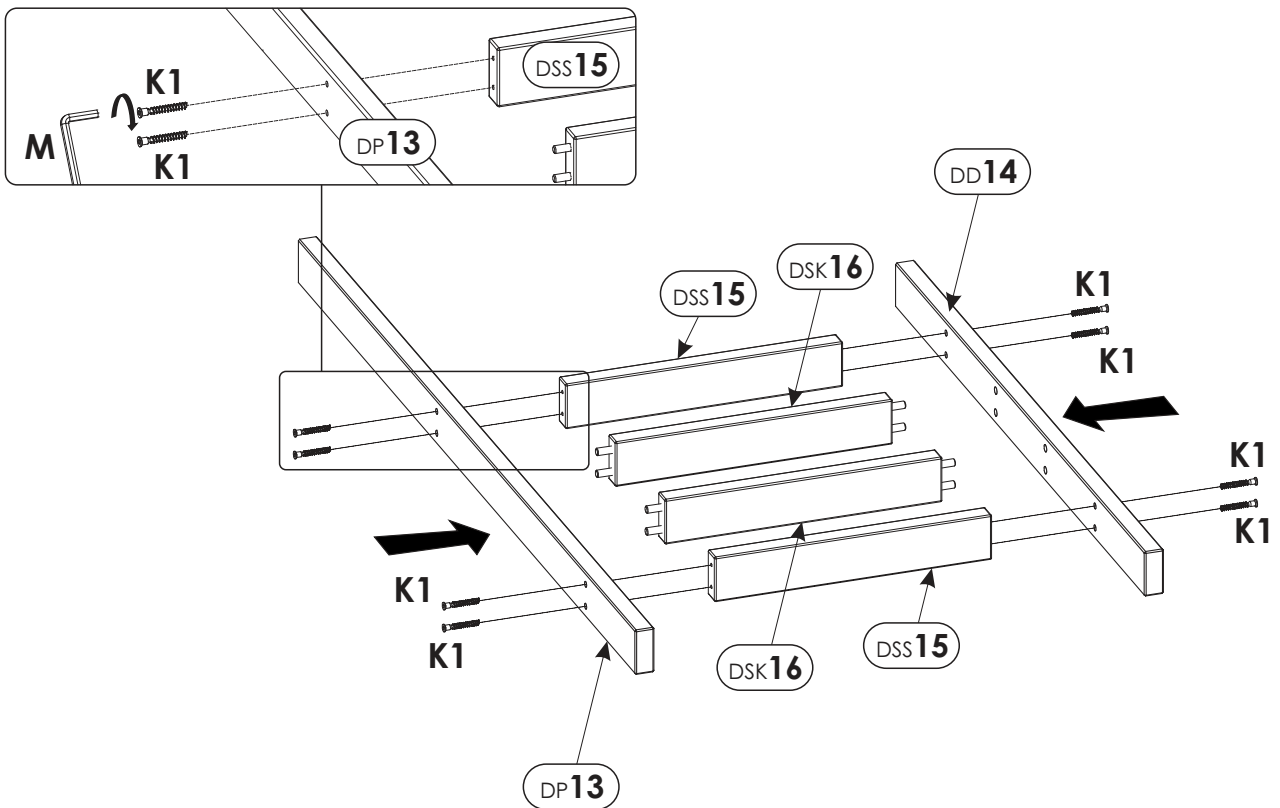
19.



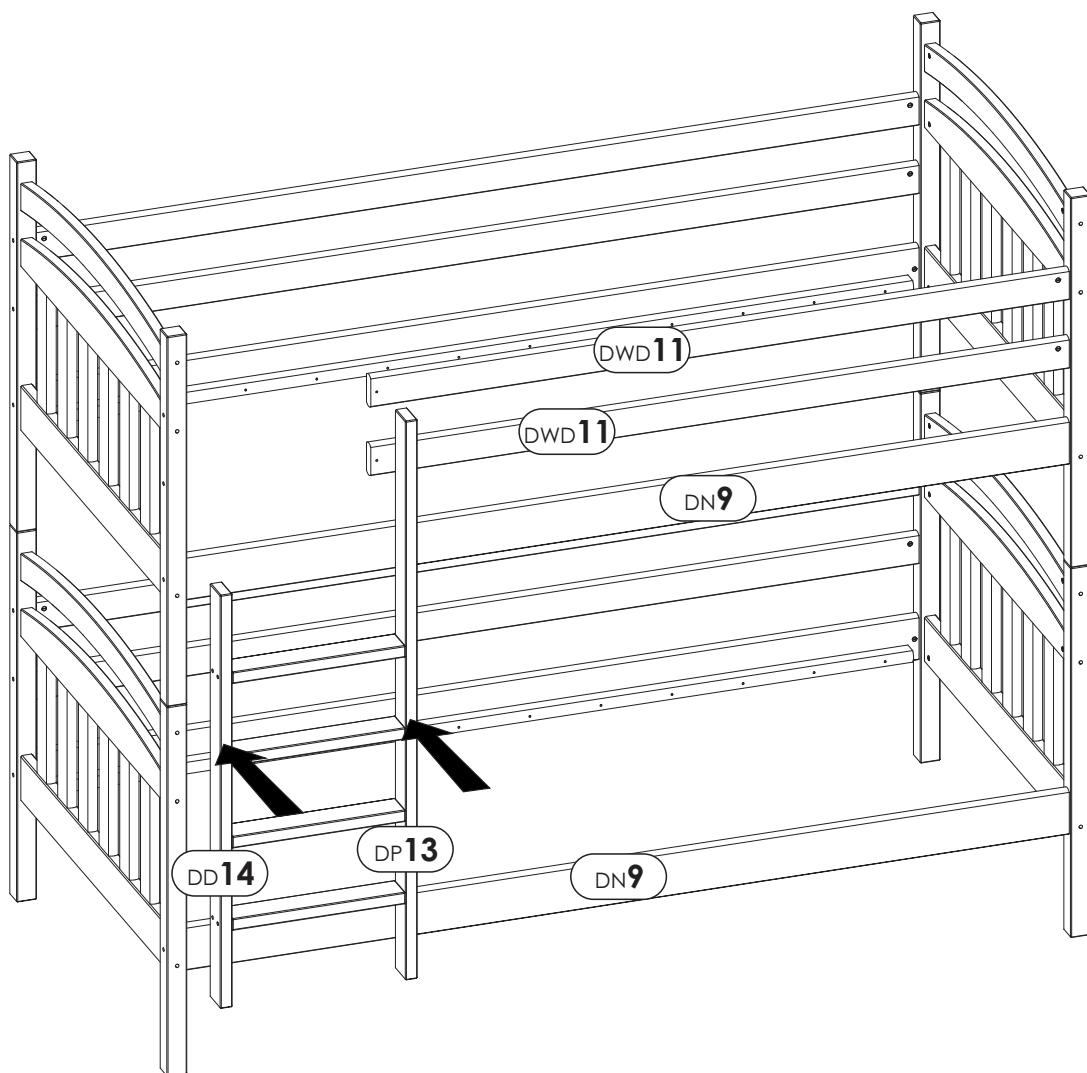
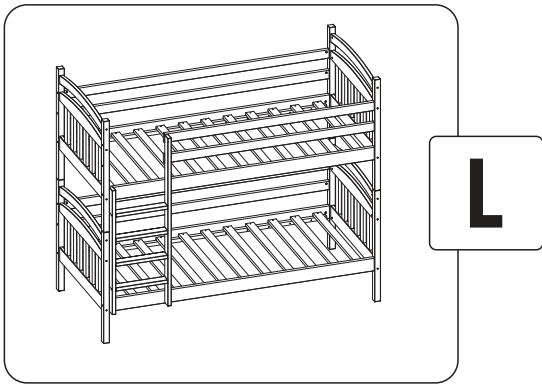
# 20.



# 21.

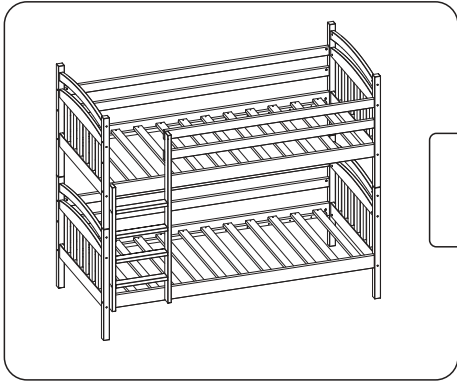


22.

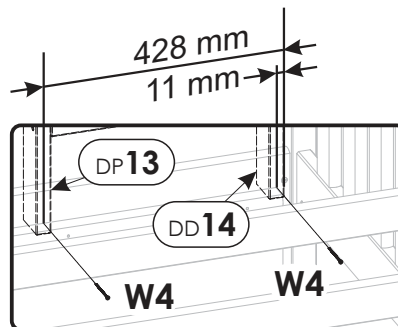
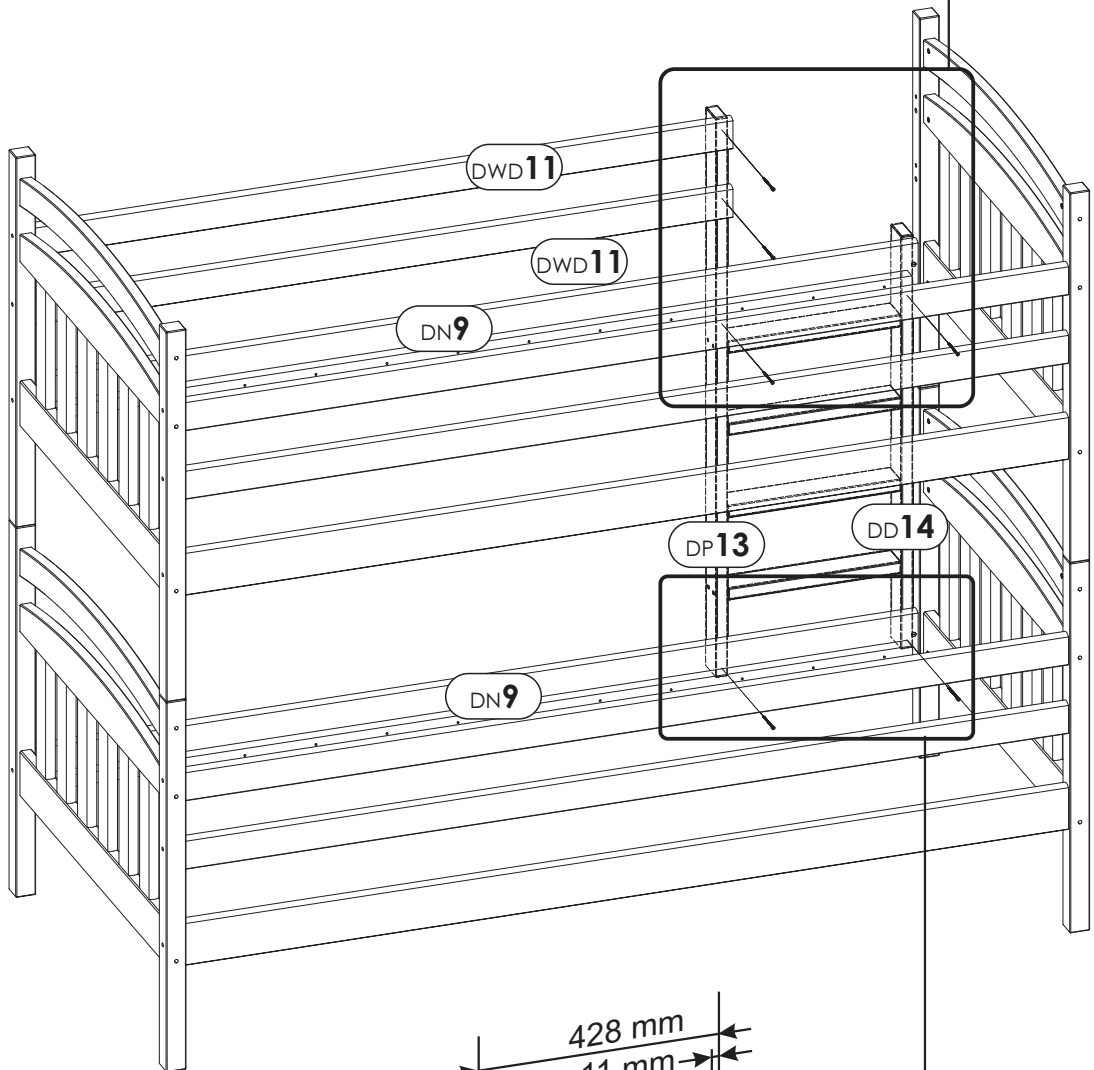
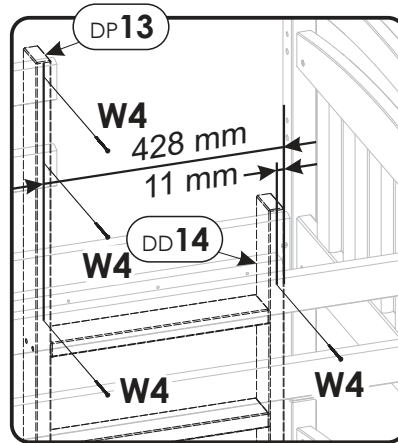




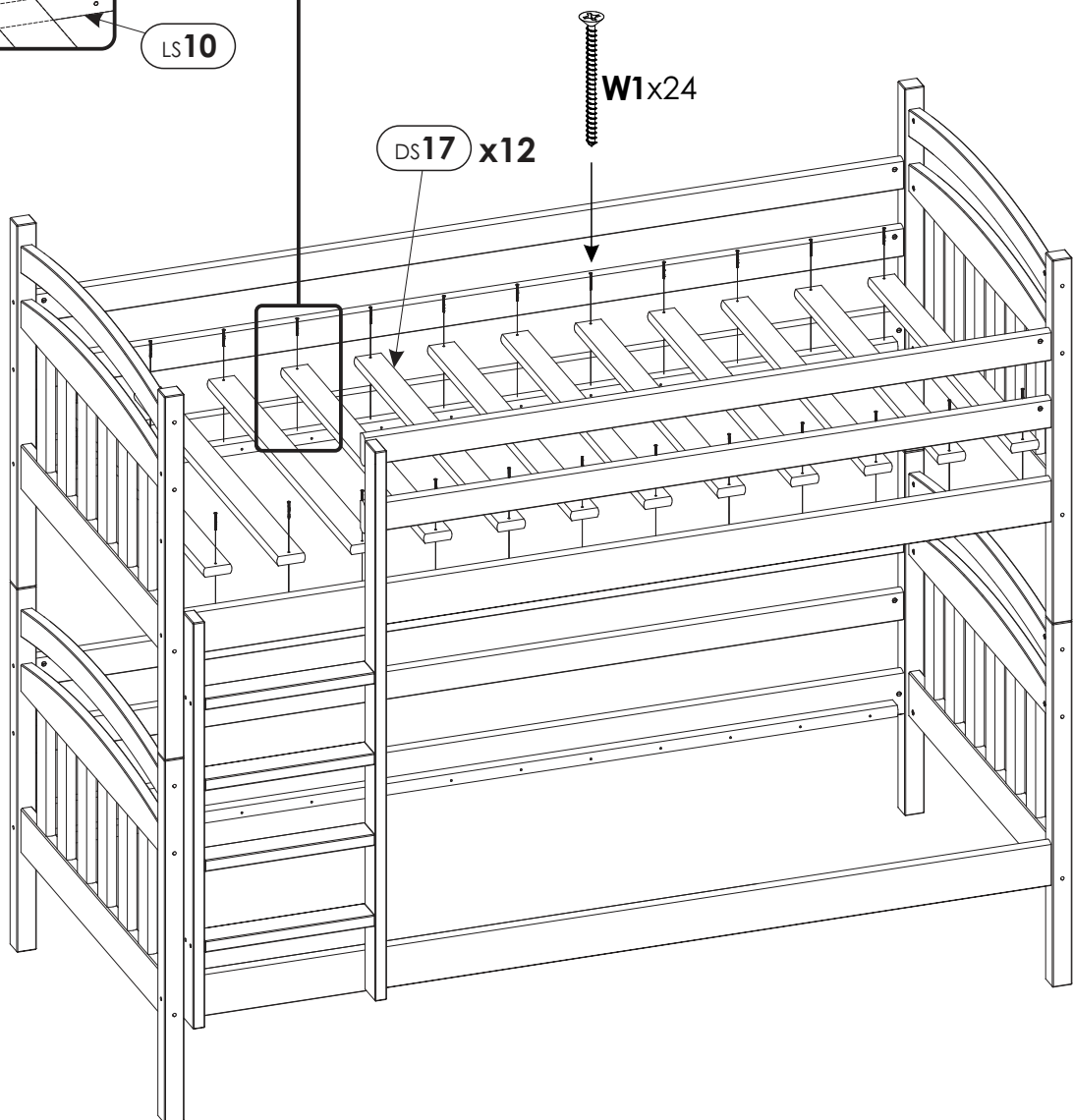
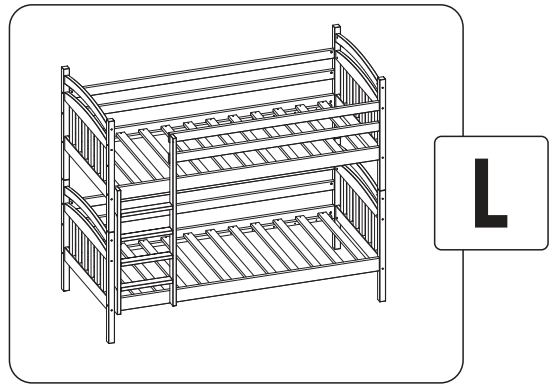
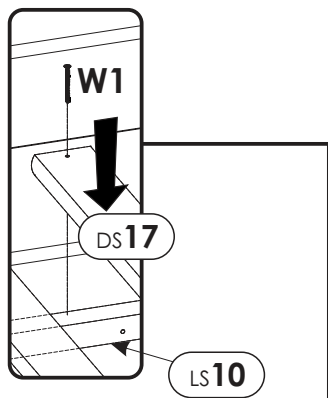
23.



L



24.



25.

