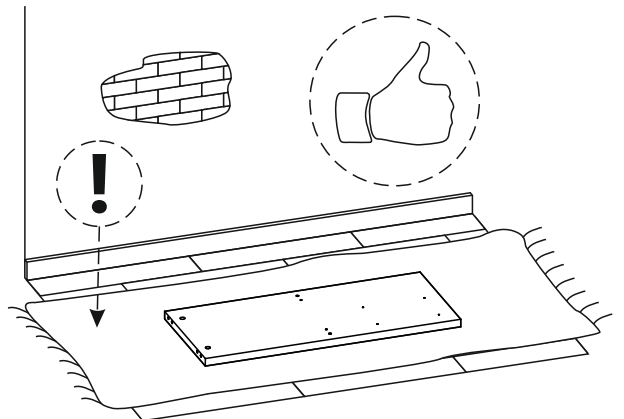
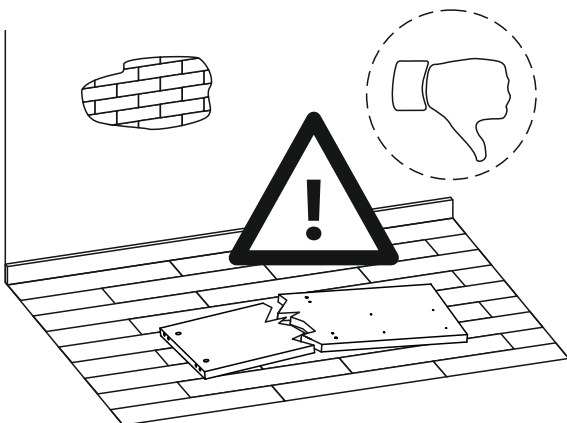
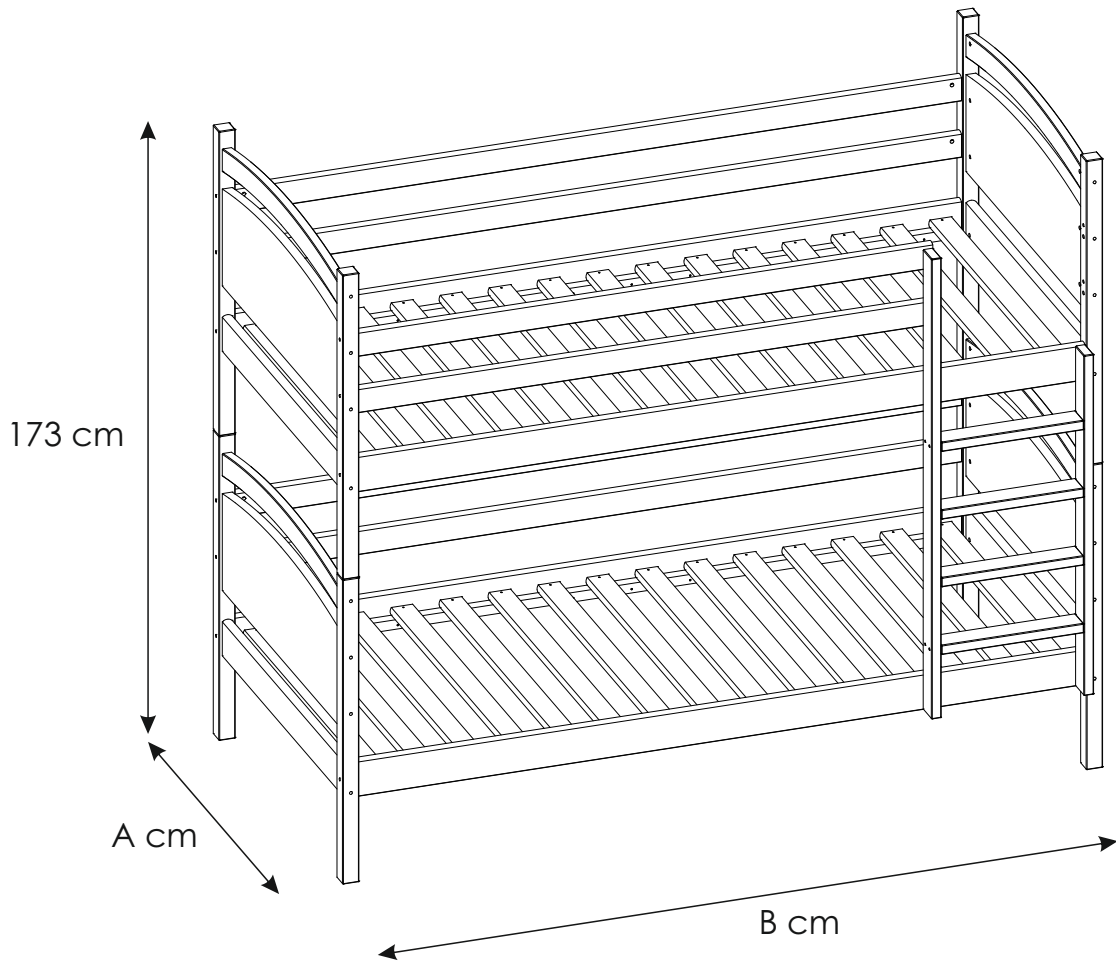
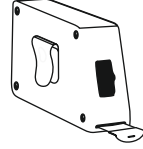
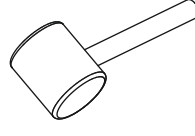
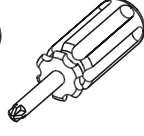
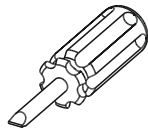
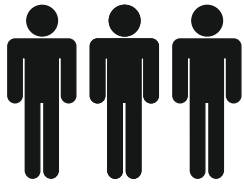
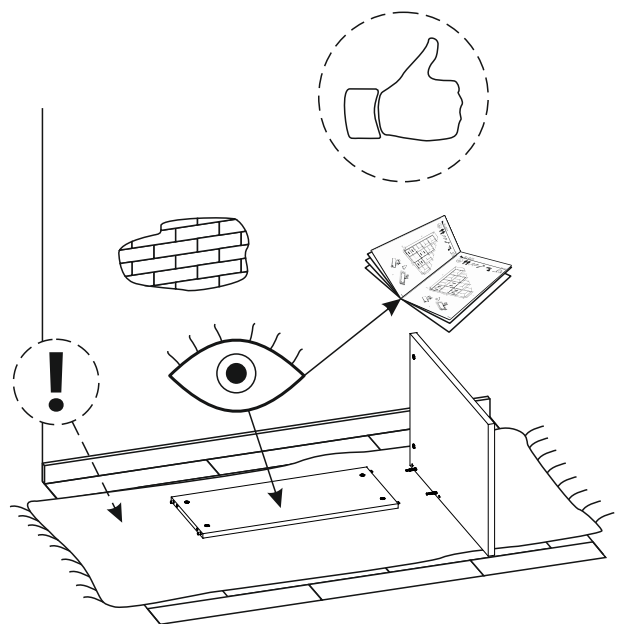
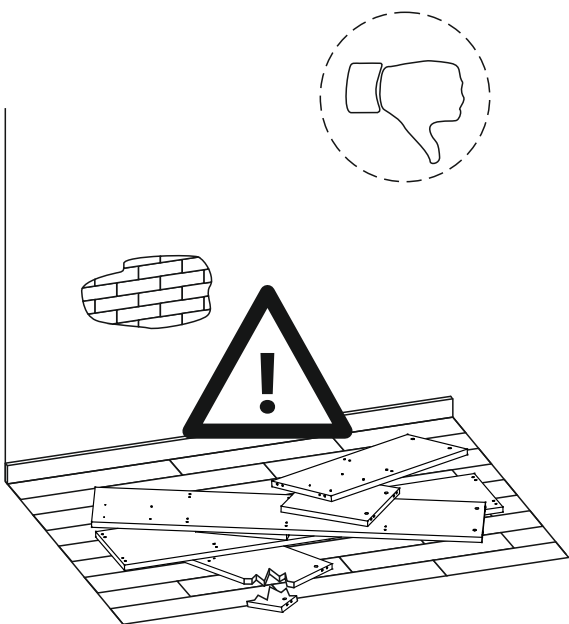
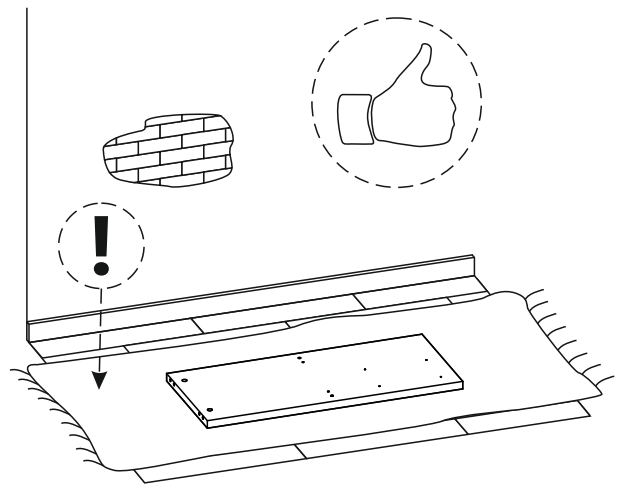
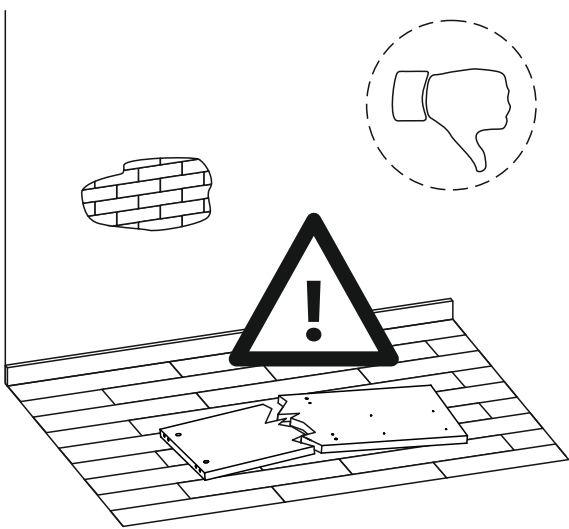
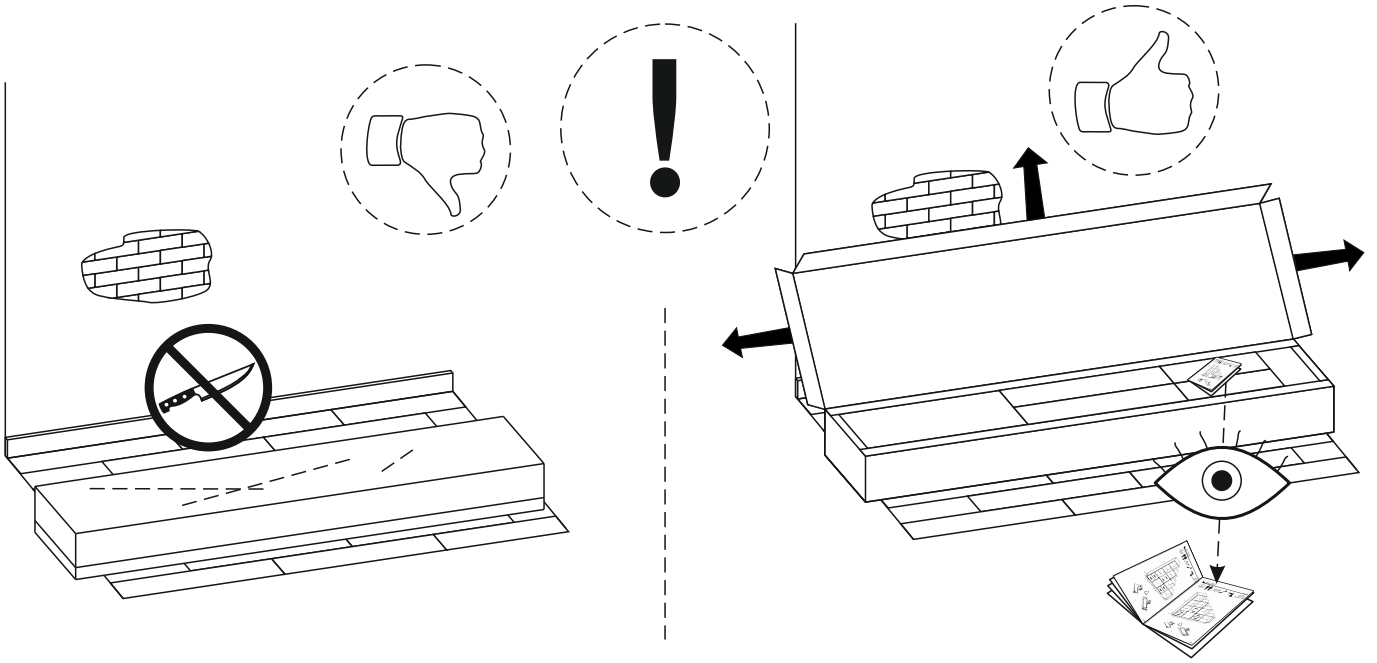
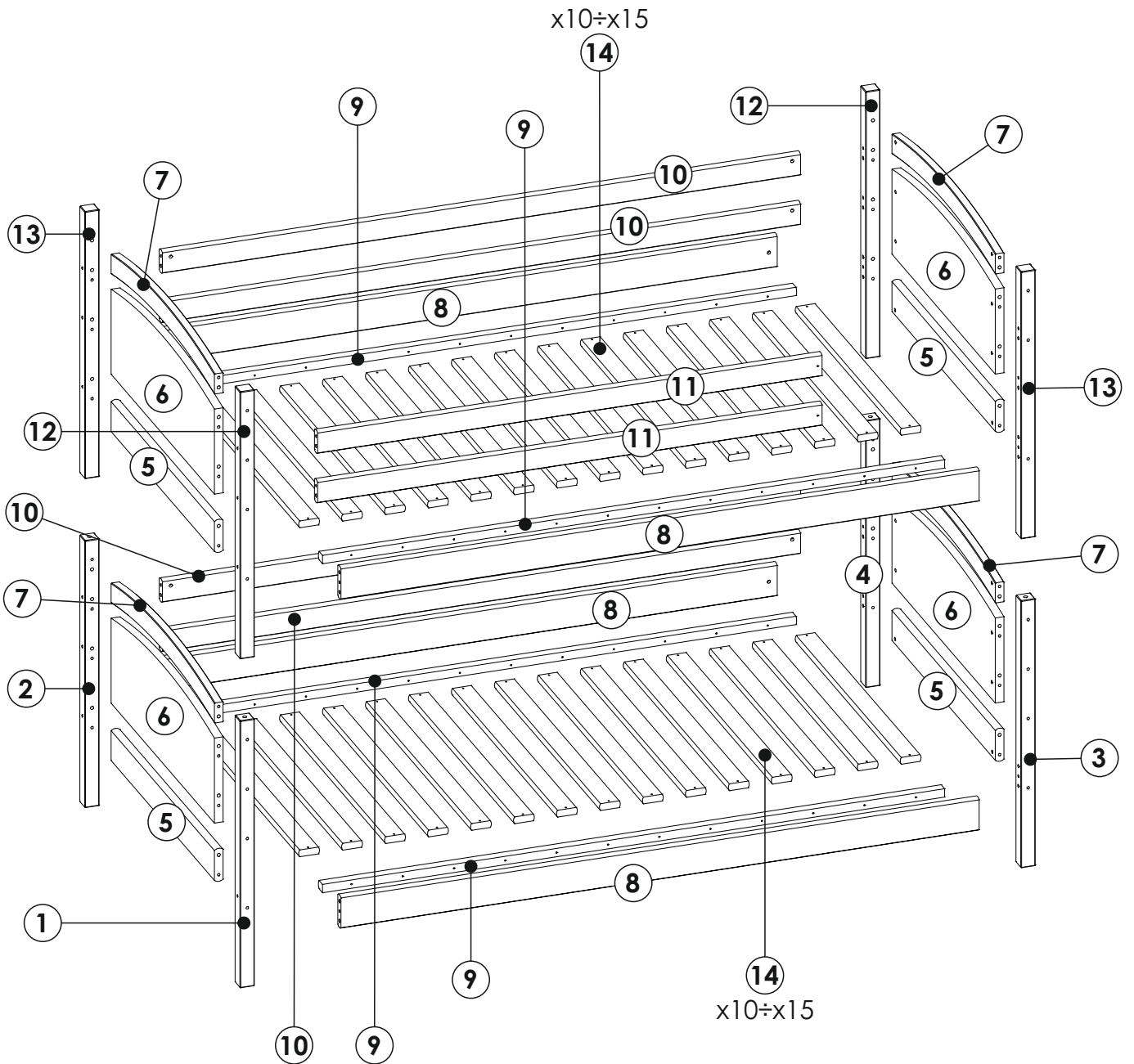
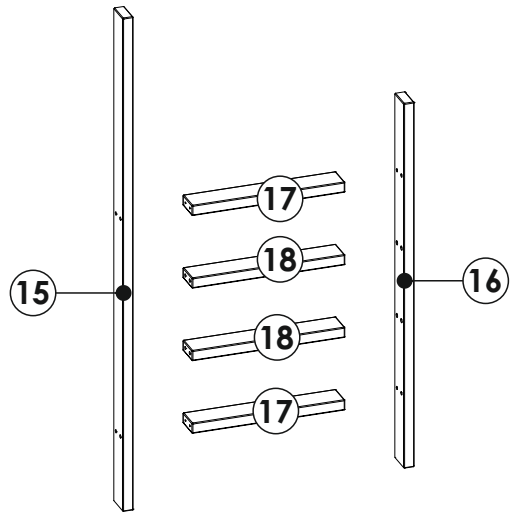
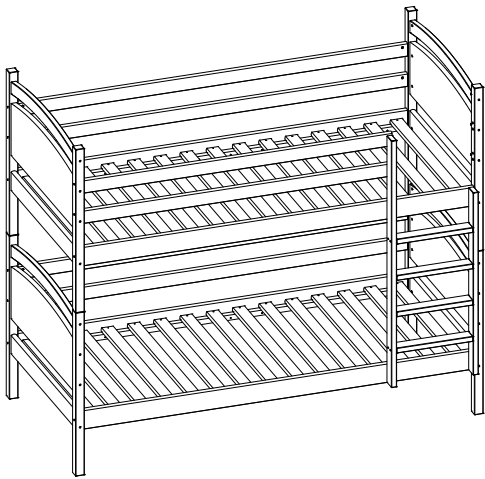


MONIKA





MONIKA



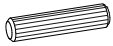
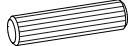
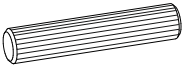


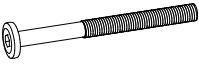
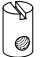

MONIKA

NDPL 1	864	45	45	x1	MONDPL_01770
NDTL 2	864	45	45	x1	MONDTL_01750
NDPP 3	864	45	45	x1	MONDPP_01780
NDTP 4	864	45	45	x1	MONDTP_01760
DST 5	685, 785, 885	107	27	x4	DST_00120
TM 6	685, 785, 885	317	27	x4	TM_01740
DB 7	685, 785, 885	107	27	x4	DB_00600
DN 8	1390, 1590, 1690, 1790, 1890, 1990	107	27	x4	DN_00110
LS 9	1340, 1540, 1640, 1740, 1840, 1940	35	27	x4	LS_00160
DW 10	1390, 1590, 1690, 1790, 1890, 1990	75	27	x4	DW75_00930
DWD 11	973, 1173, 1273, 1373, 1473, 1573	75	27	x2	DW75DD_00940
GTP 12	864	45	45	x2	MONGTP_01800
GTL 13	864	45	45	x2	MONGTL_01790
P4S 15	1305	65	27	x1	DDP4S_00630
P4S 16	965	65	27	x1	DDP4S_00620
DSS 17	390	65	27	x2	DSS_00210
DSK 18	390	65	27	x2	DSK_00220


OPTION

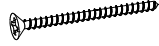
DS 14	B=2000	700, 800, 900	65	22	x30	DS_00170
	B=1900				x28	
	B=1800				x26	
	B=1700				x26	
	B=1600				x24	
	B=1400				x20	

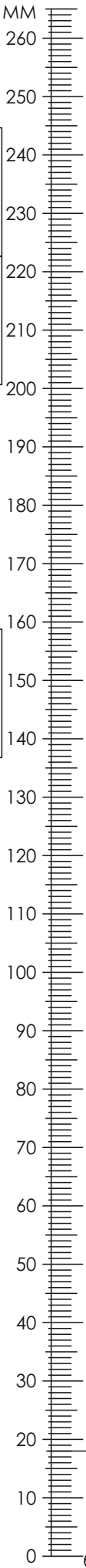
MONIKA

<p>A1 akc_0001</p>  <p>8 x 35 mm</p> <p style="text-align: right;">x8</p>	<p>A2 akc_0002</p>  <p>10 x 40 mm</p> <p style="text-align: right;">x58</p>	<p>A3 akc_0003</p>  <p>12 x 60 mm</p> <p style="text-align: right;">x4</p>
<p>K1 akc_0004</p>  <p>6,4 x 50 mm</p> <p style="text-align: right;">x8</p>	<p>M akc_0005</p>  <p style="text-align: right;">x1</p>	<p>N1 akc_0006</p>  <p>6 x 80 mm</p> <p style="text-align: right;">x50</p>
<p>S1 akc_0008</p>  <p>10 x 16 mm</p> <p style="text-align: right;">x50</p>	<p>W4 akc_0012</p>  <p>4 x 60 mm</p> <p style="text-align: right;">x6</p>	

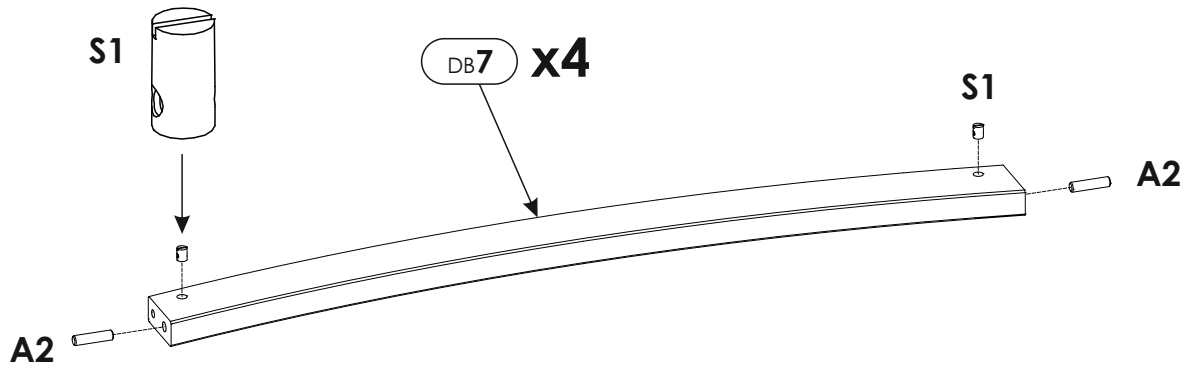
----- **OPTION** -----

<p>W1 akc_0009</p>  <p>3,5 x 40 mm</p> <p style="text-align: right;">40 < x < 60</p>
--

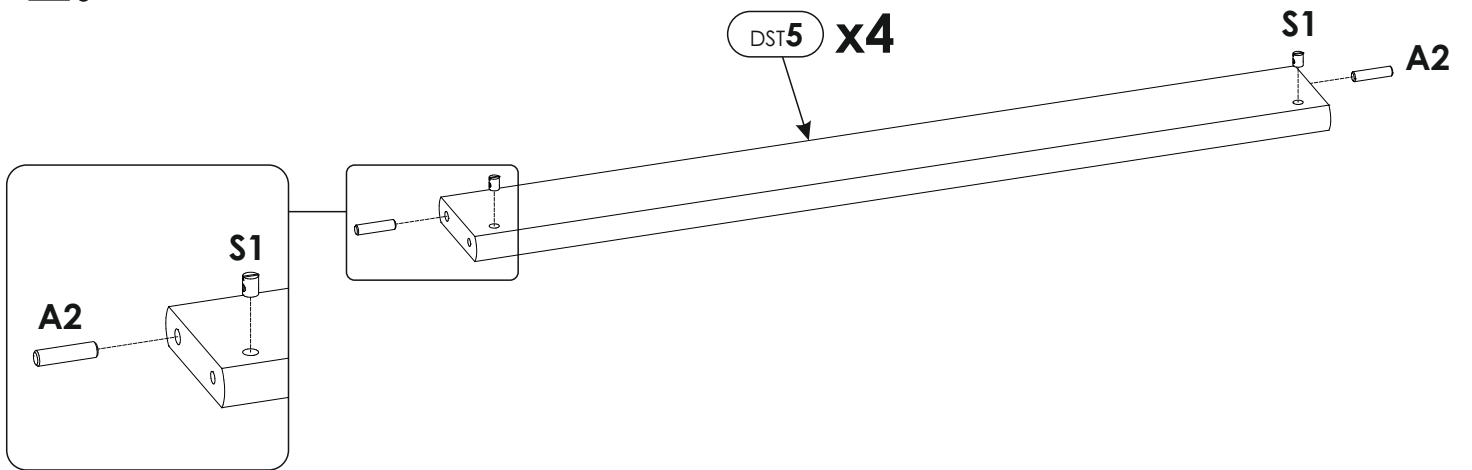
<p>W3 akc_0011</p>  <p>4 x 50 mm</p> <p style="text-align: right;">40 < x < 48</p>
--



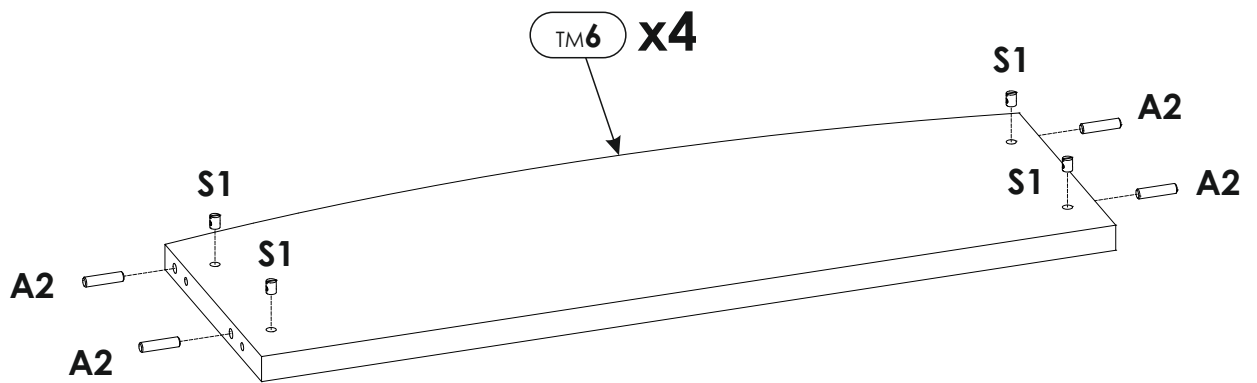
1.



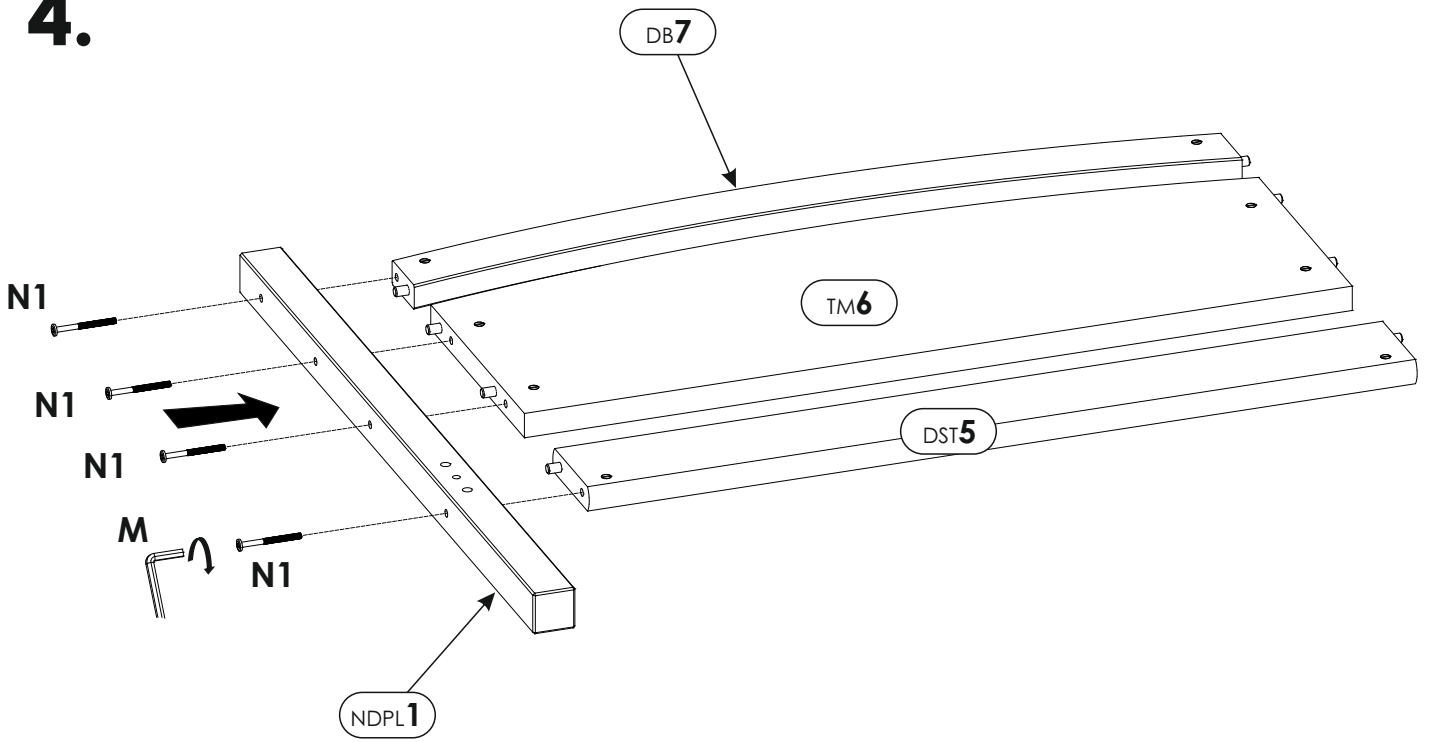
2.



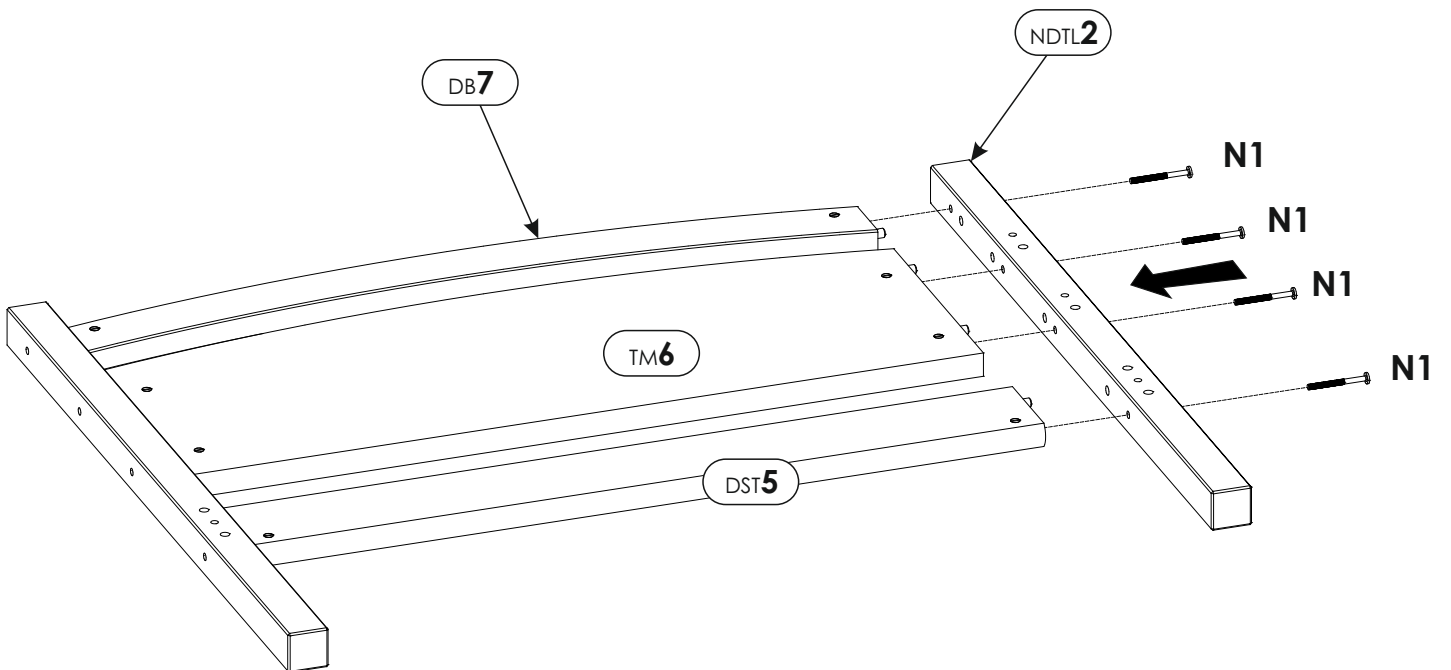
3.



4.

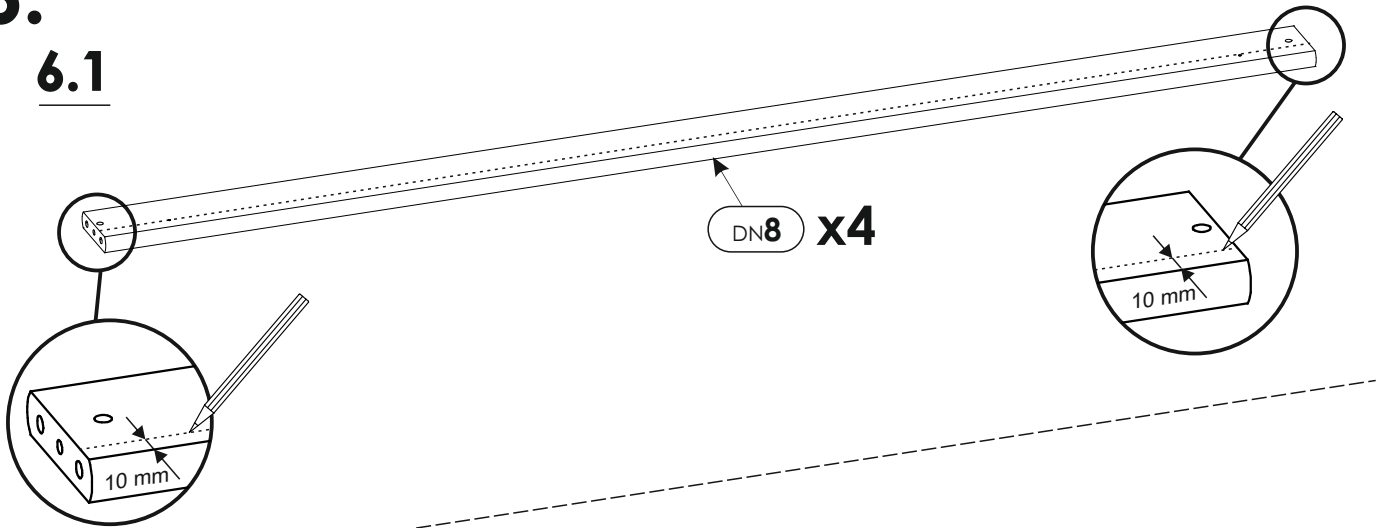


5.

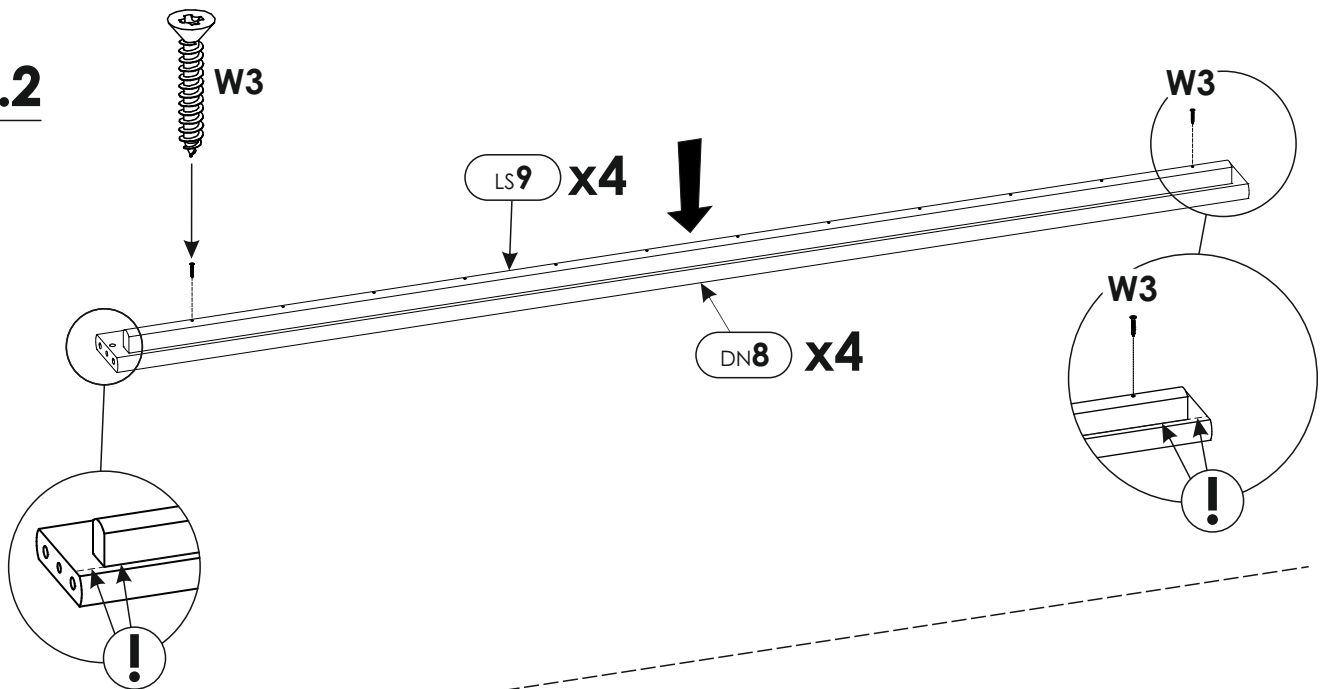


6.

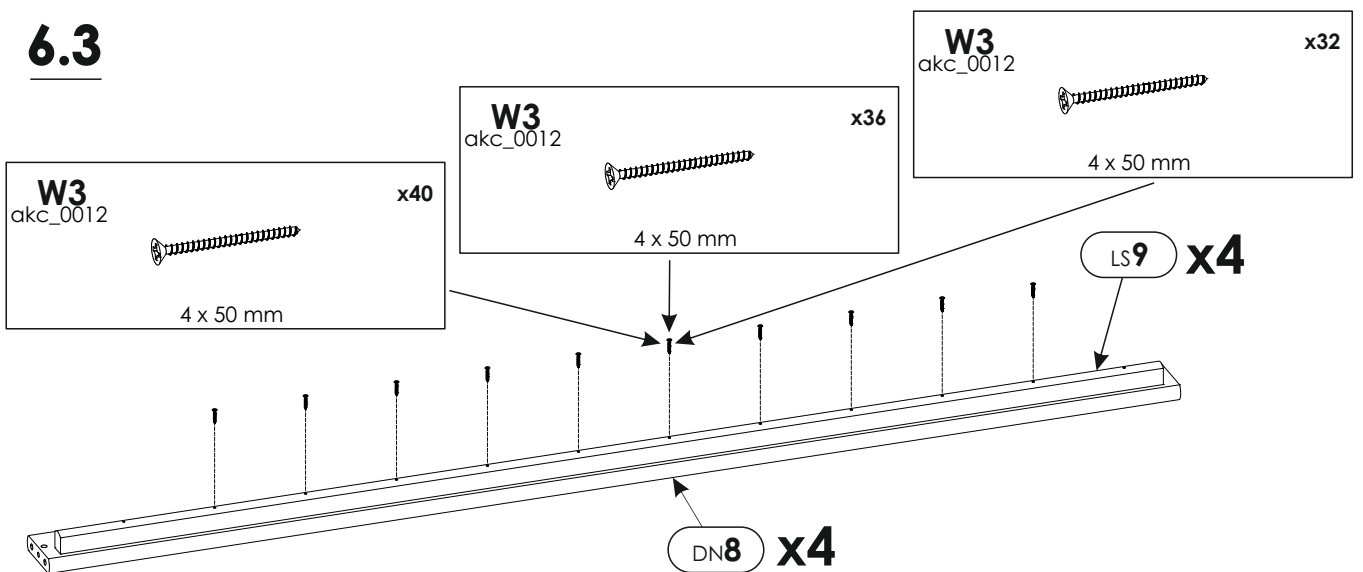
6.1



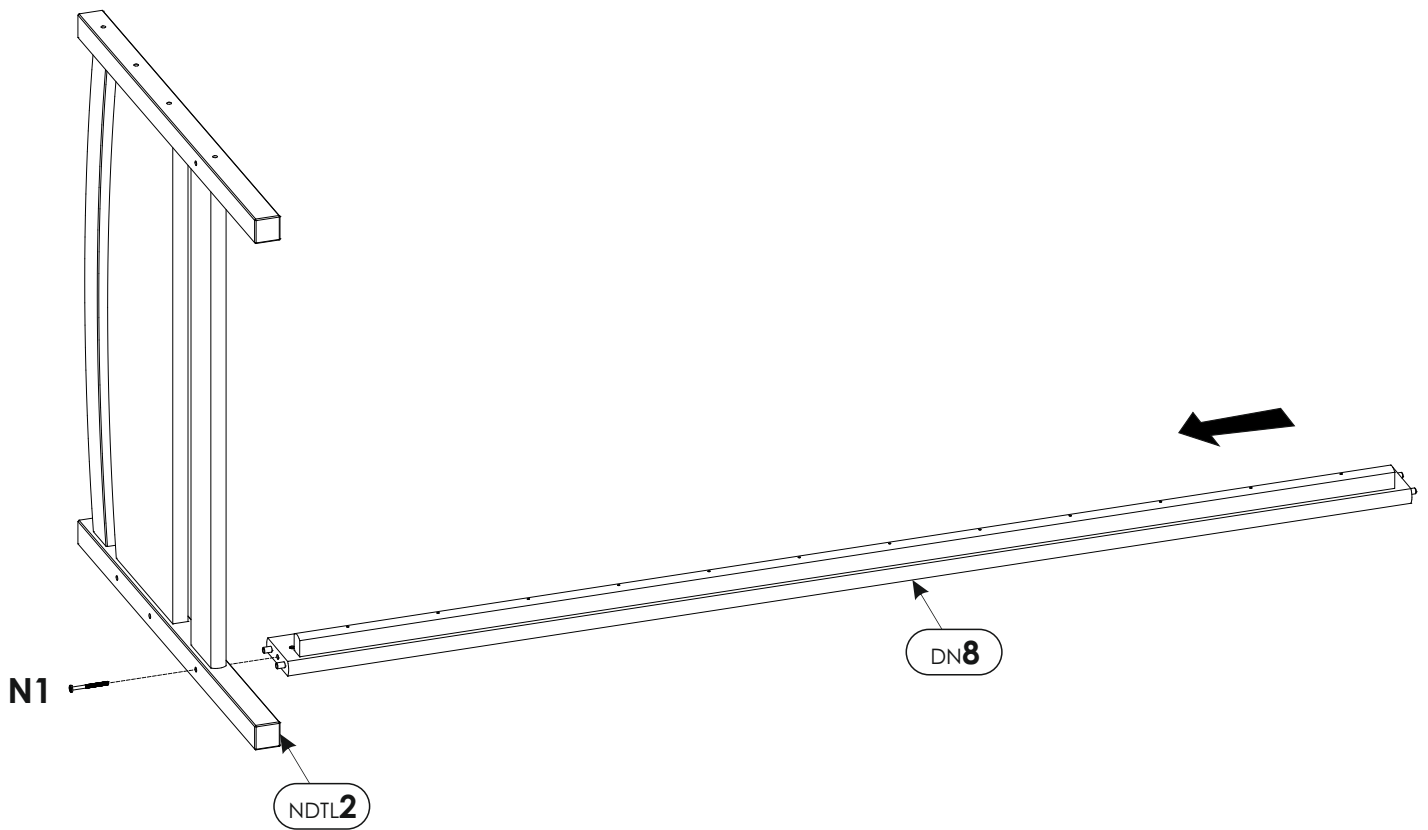
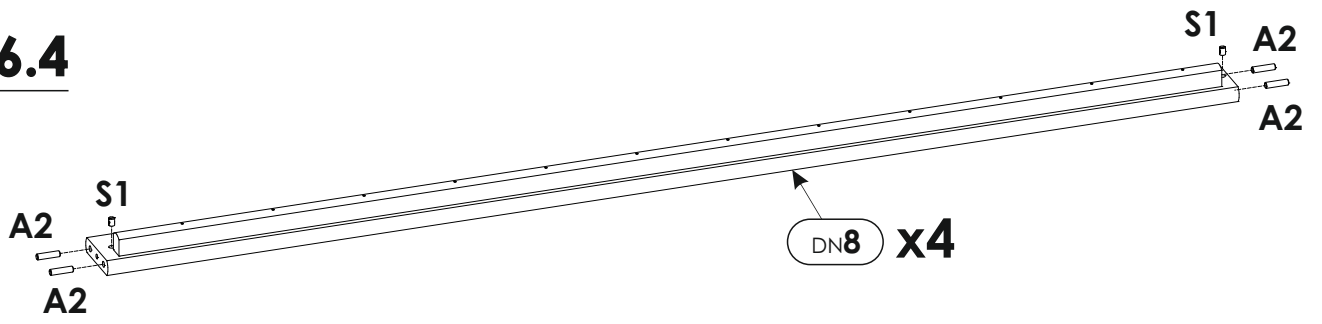
6.2



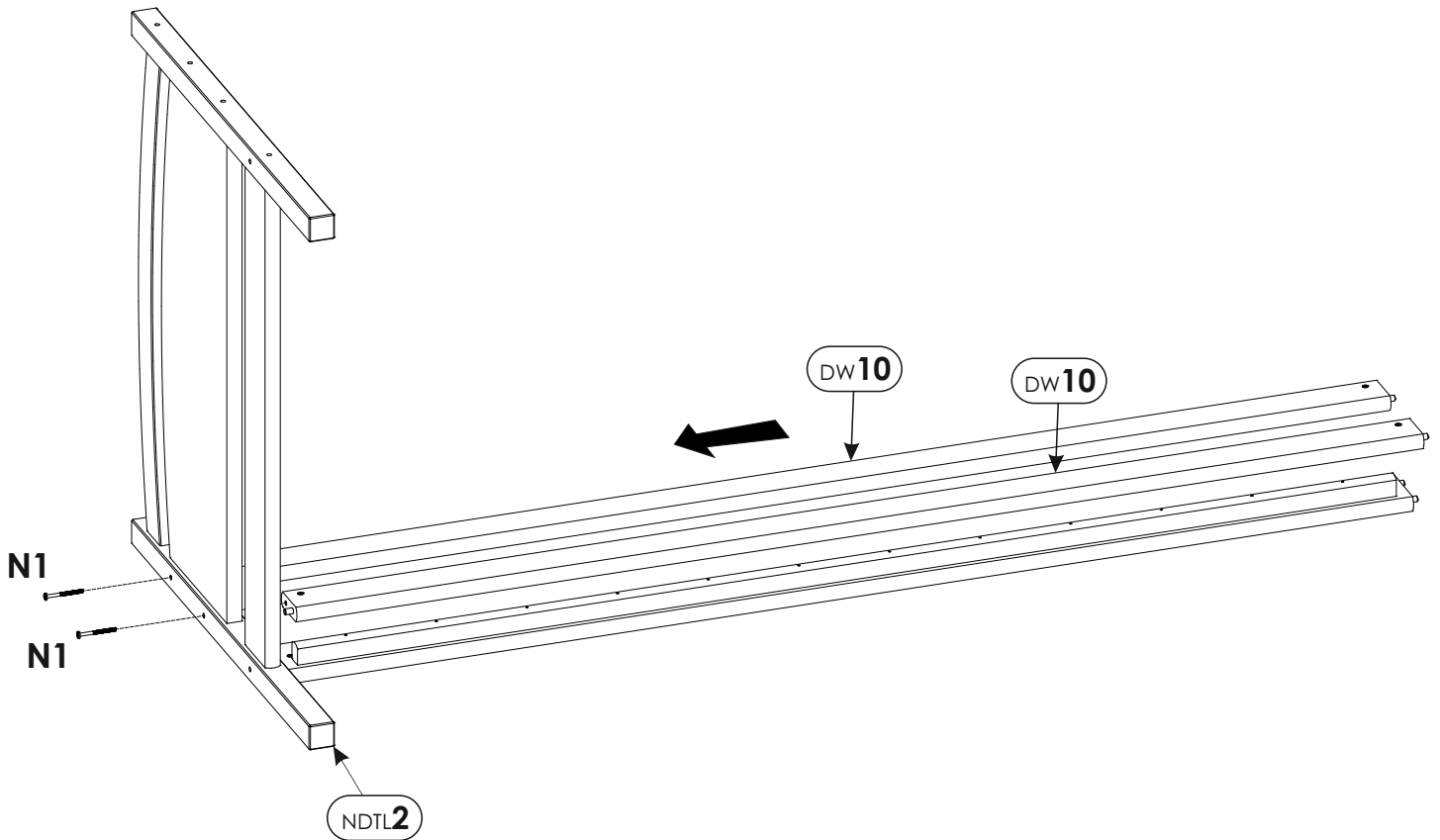
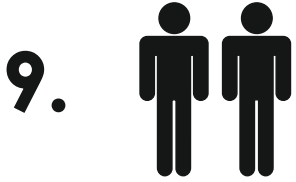
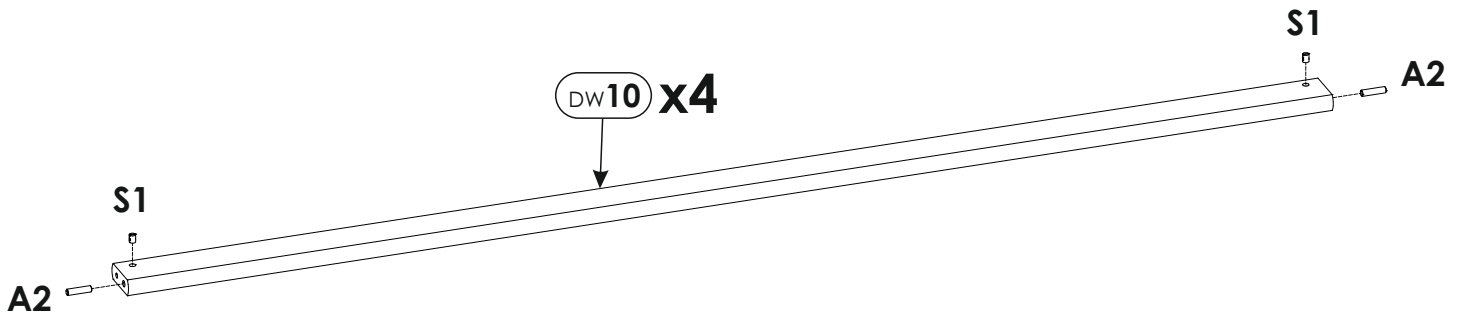
6.3



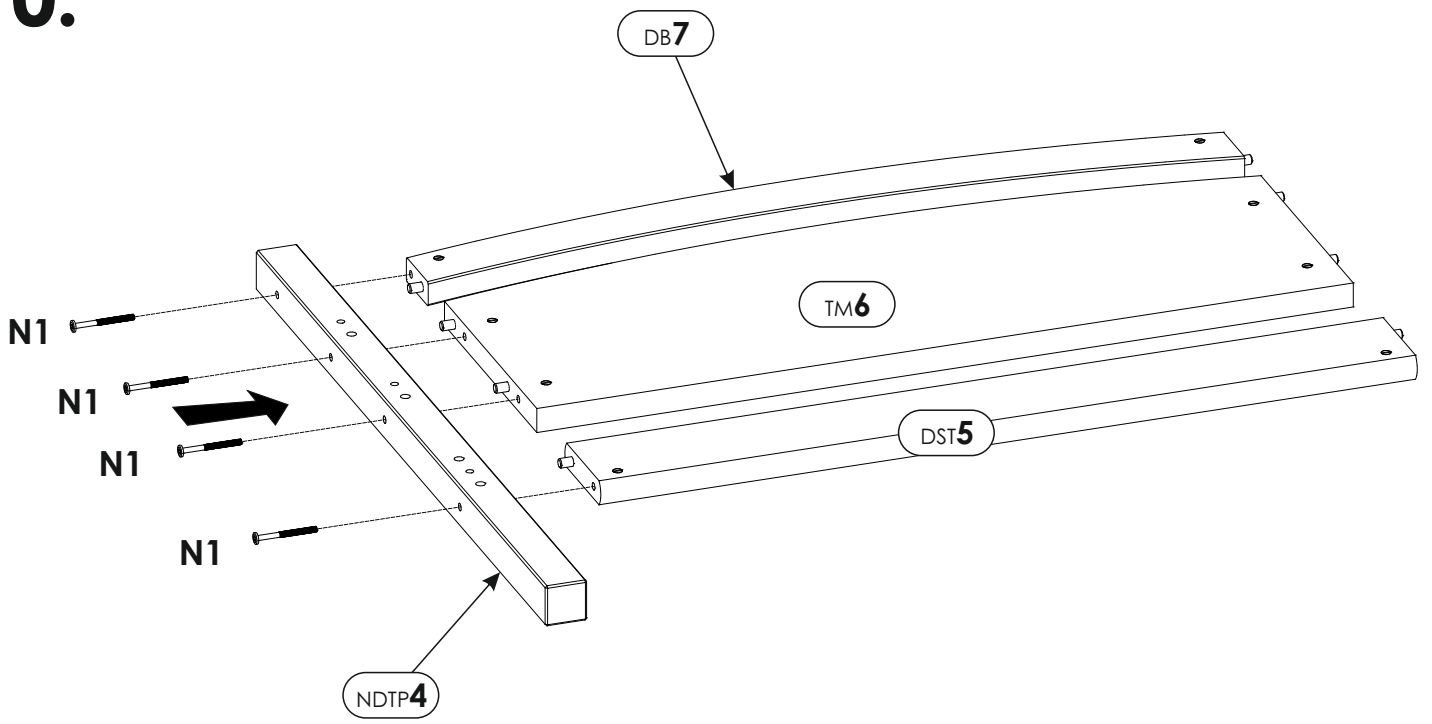
6.4



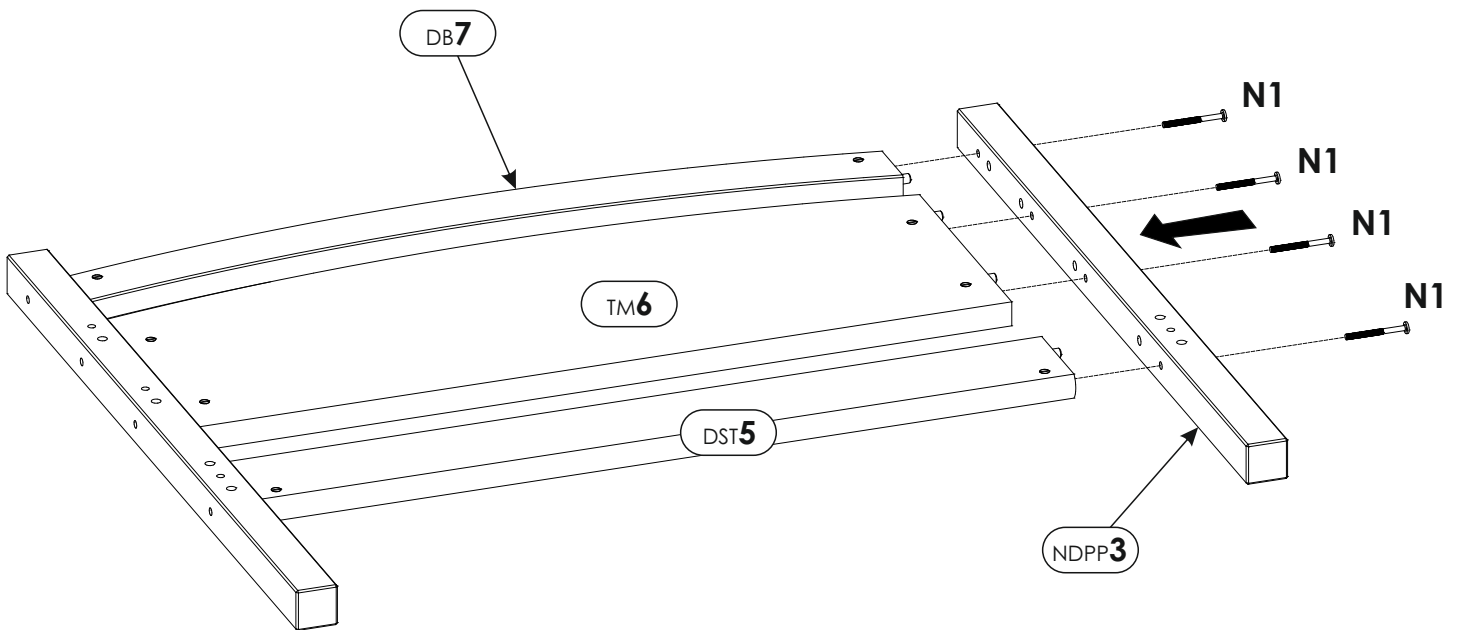
8.



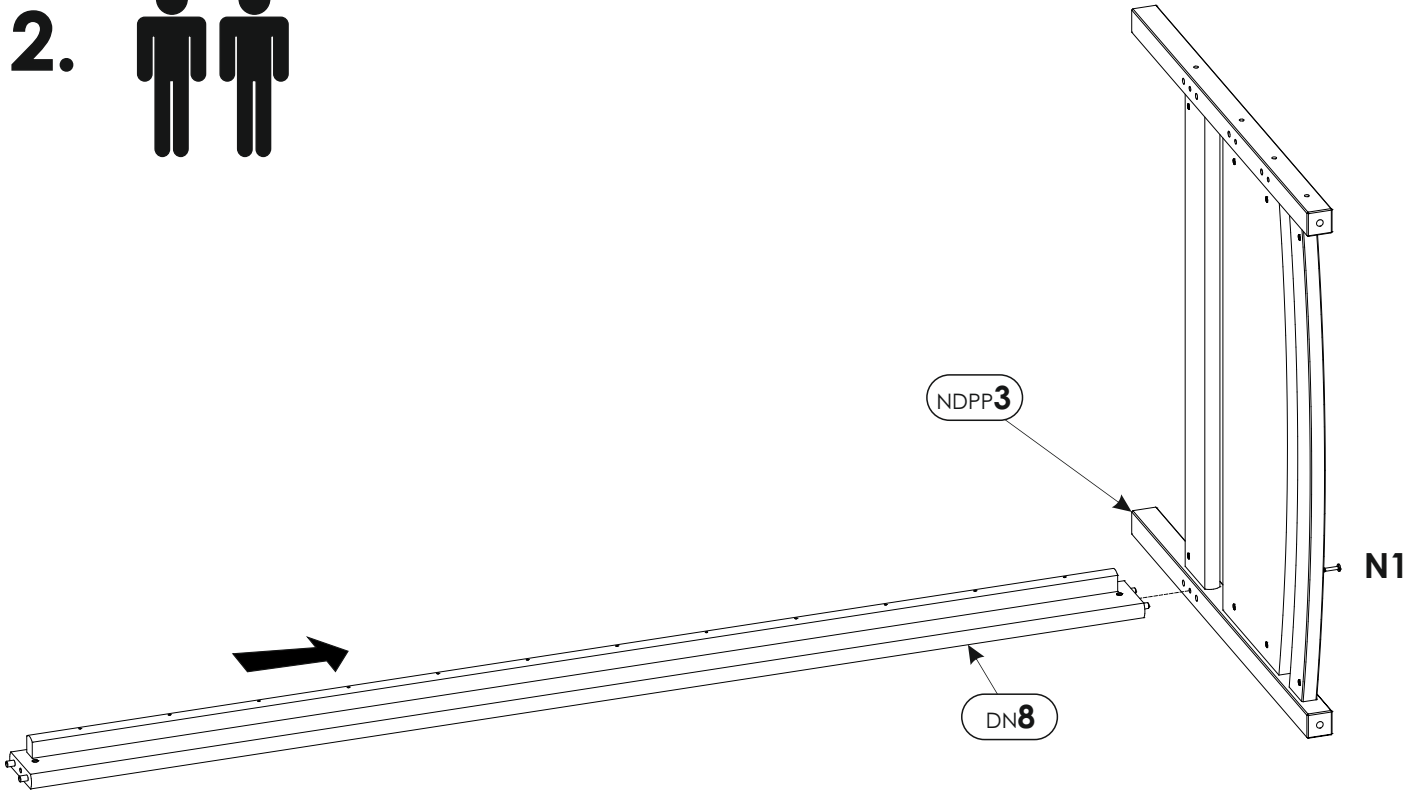
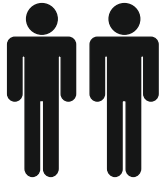
10.



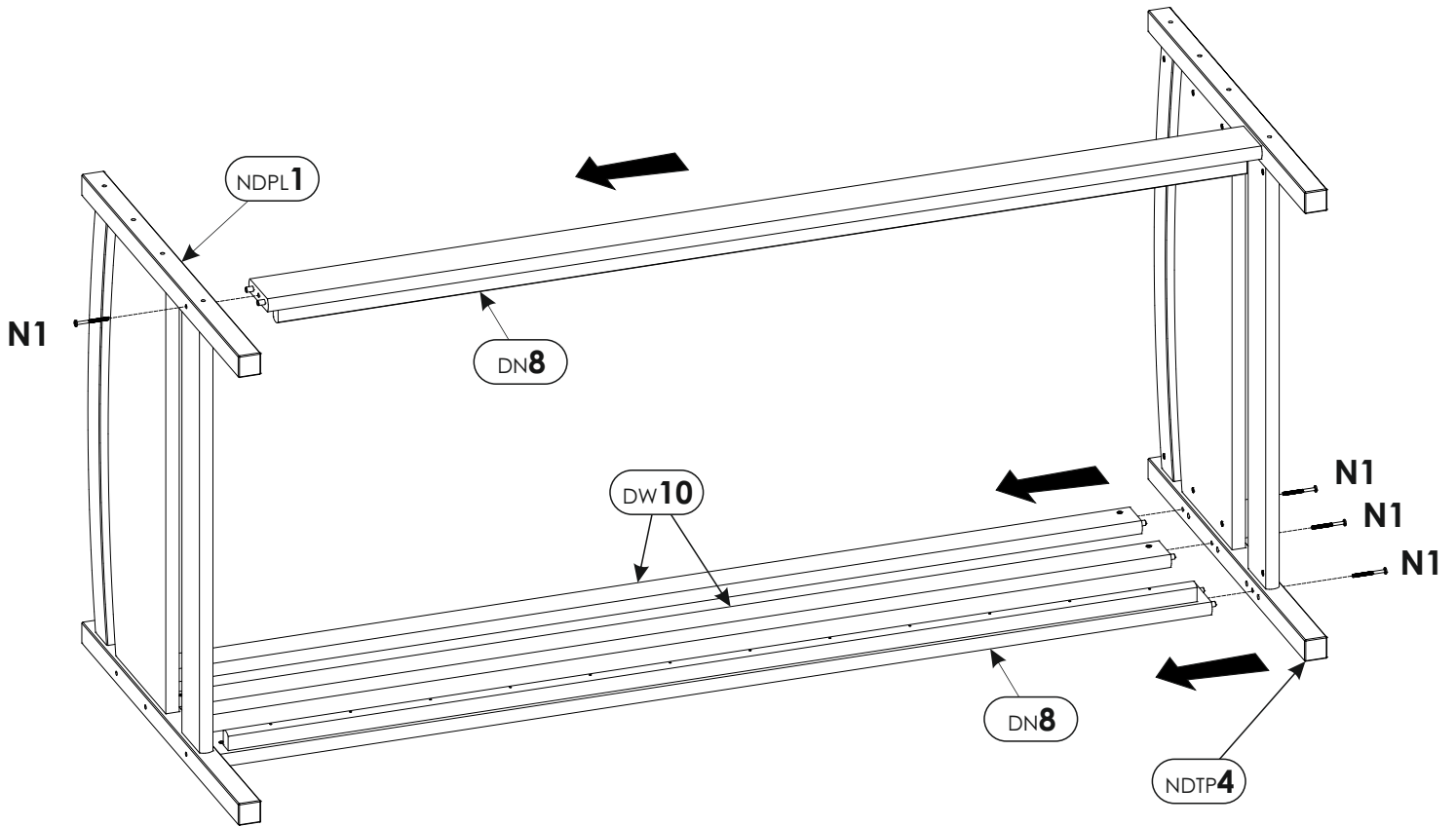
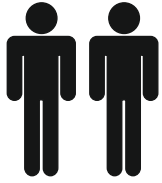
11.



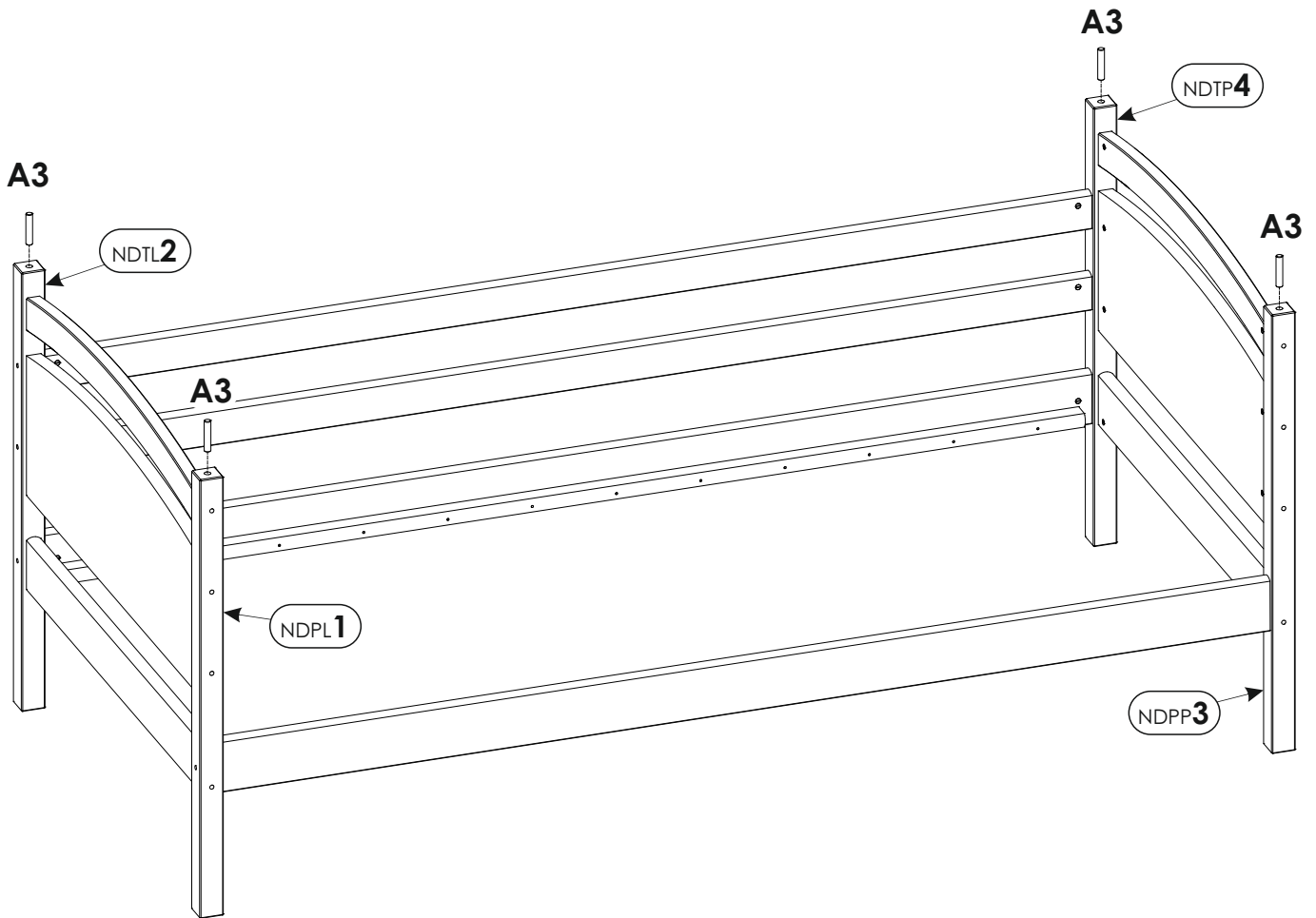
12.



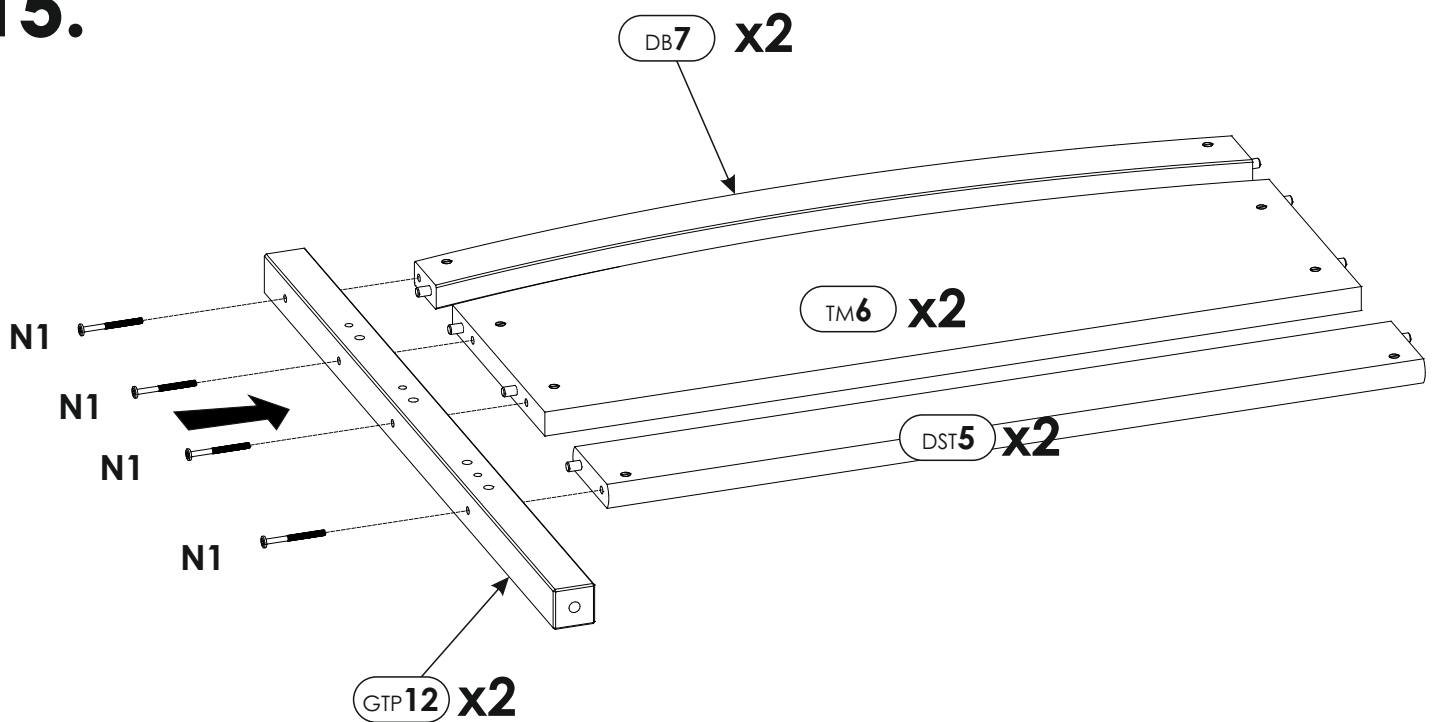
13.



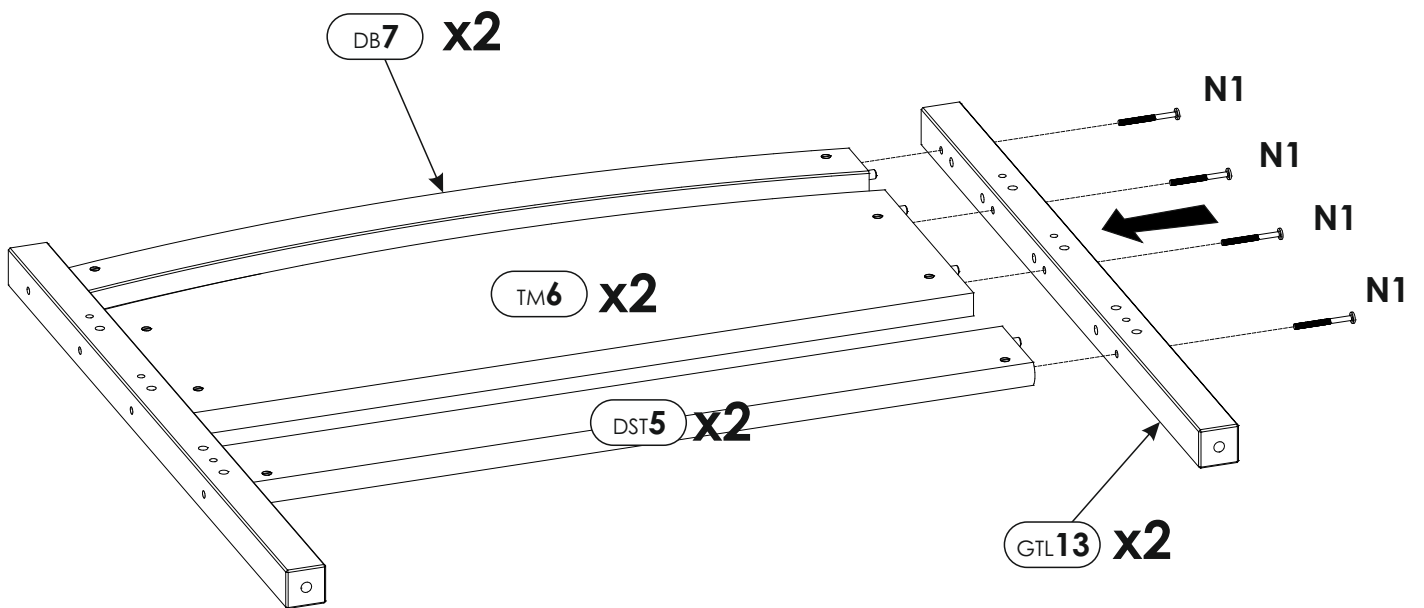
14.



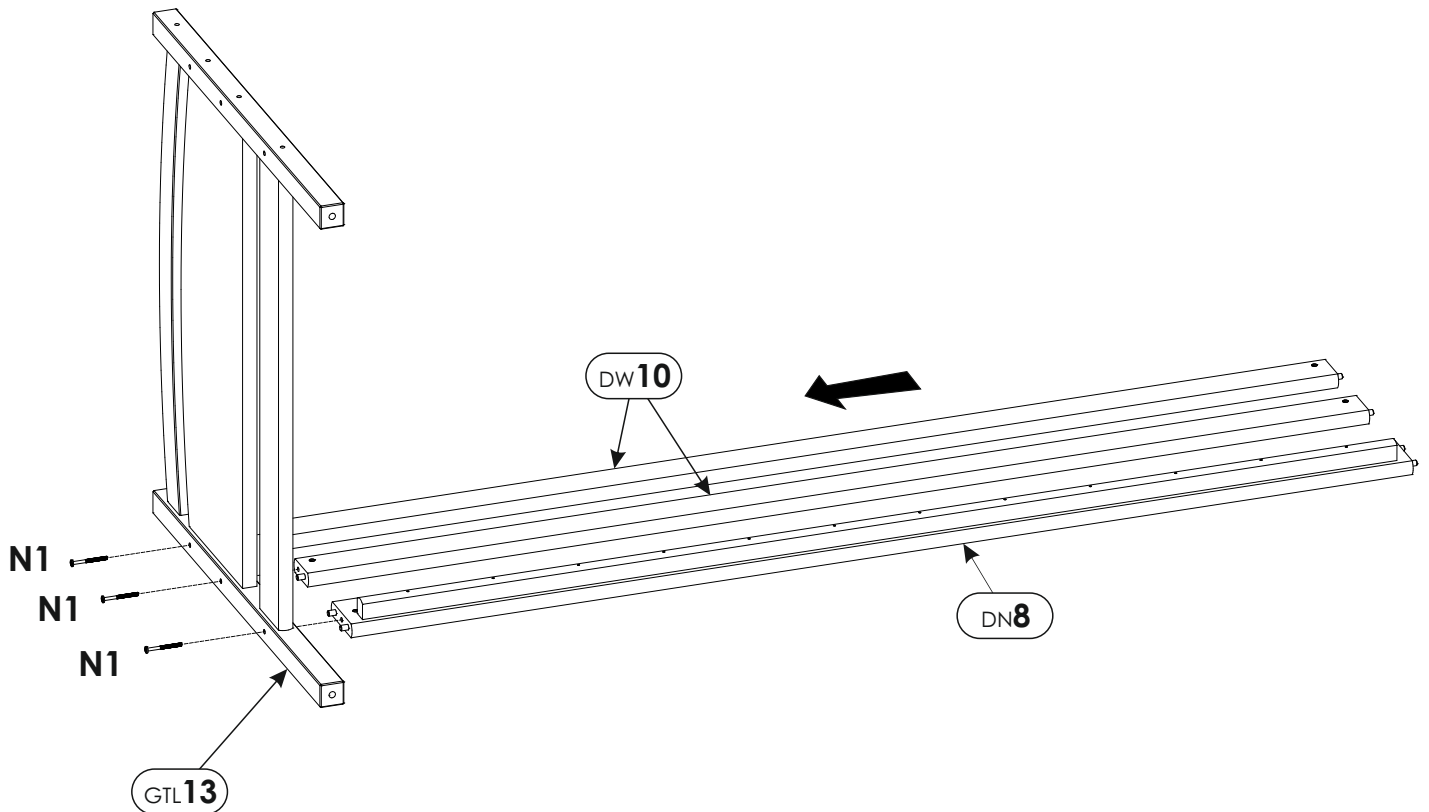
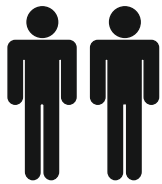
15.




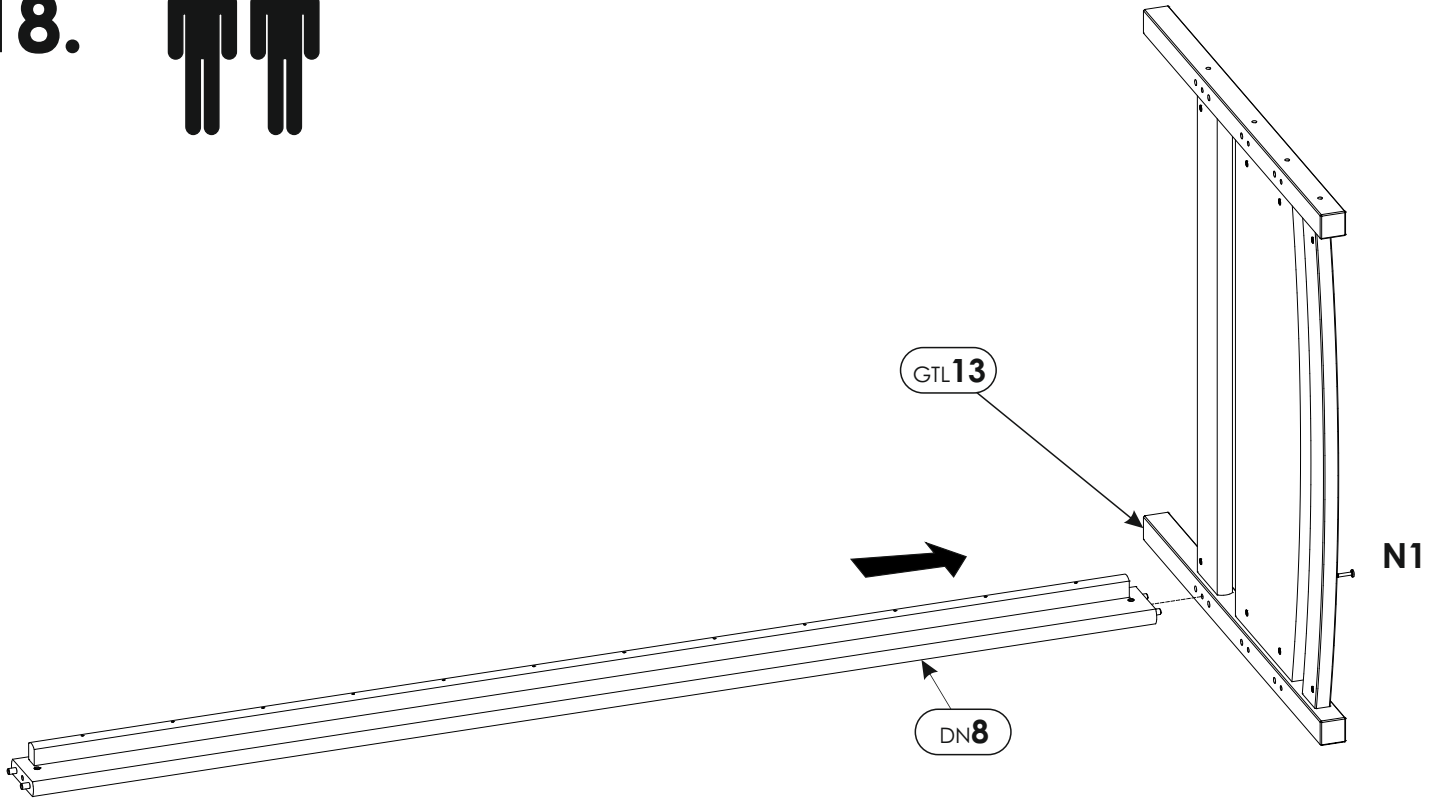
16.

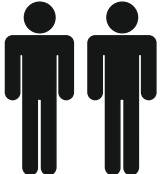


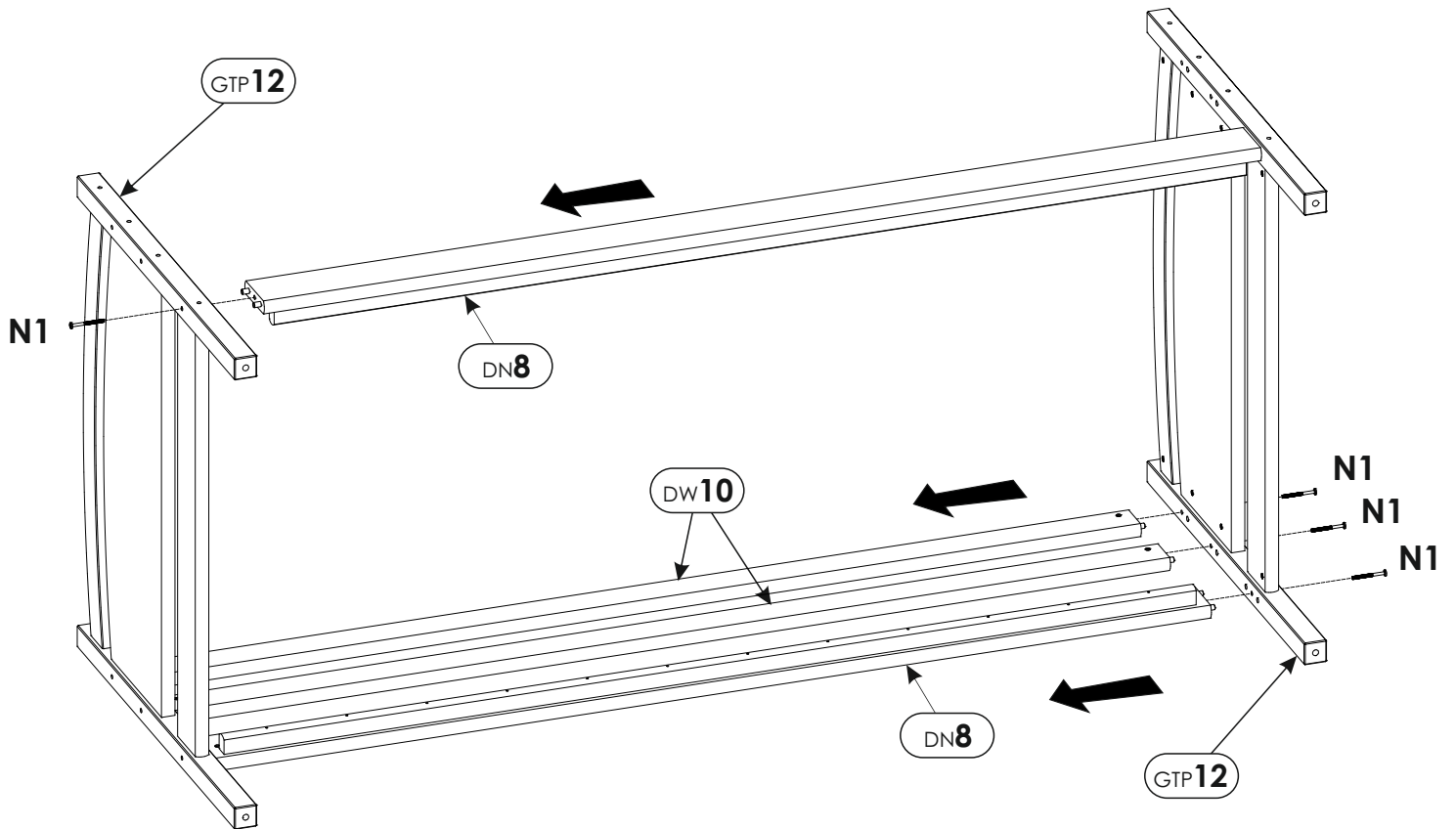
17.



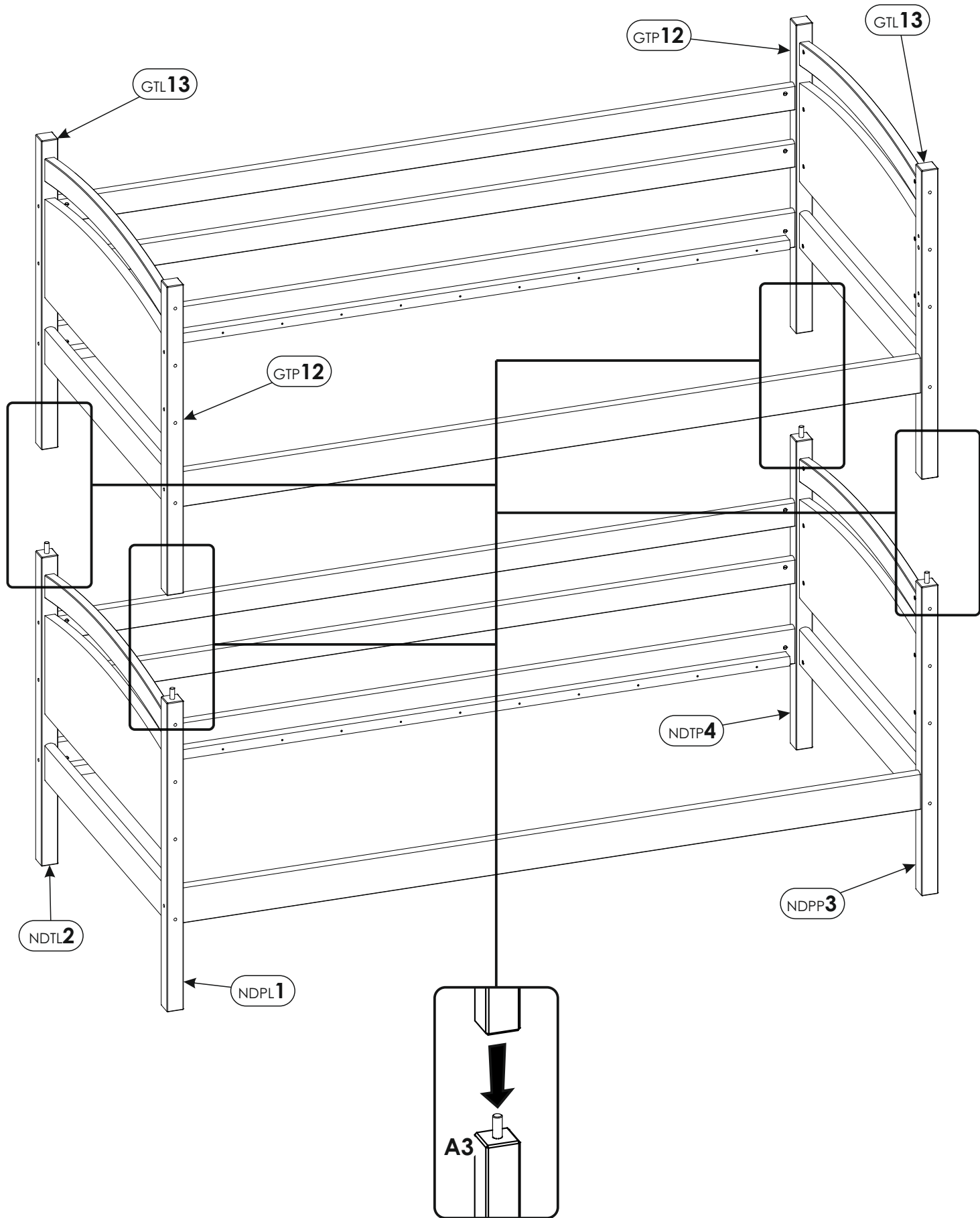
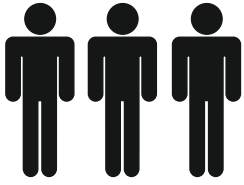
18. 



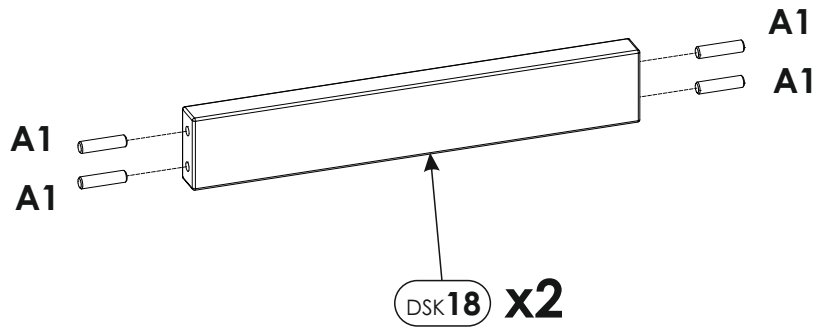
19. 



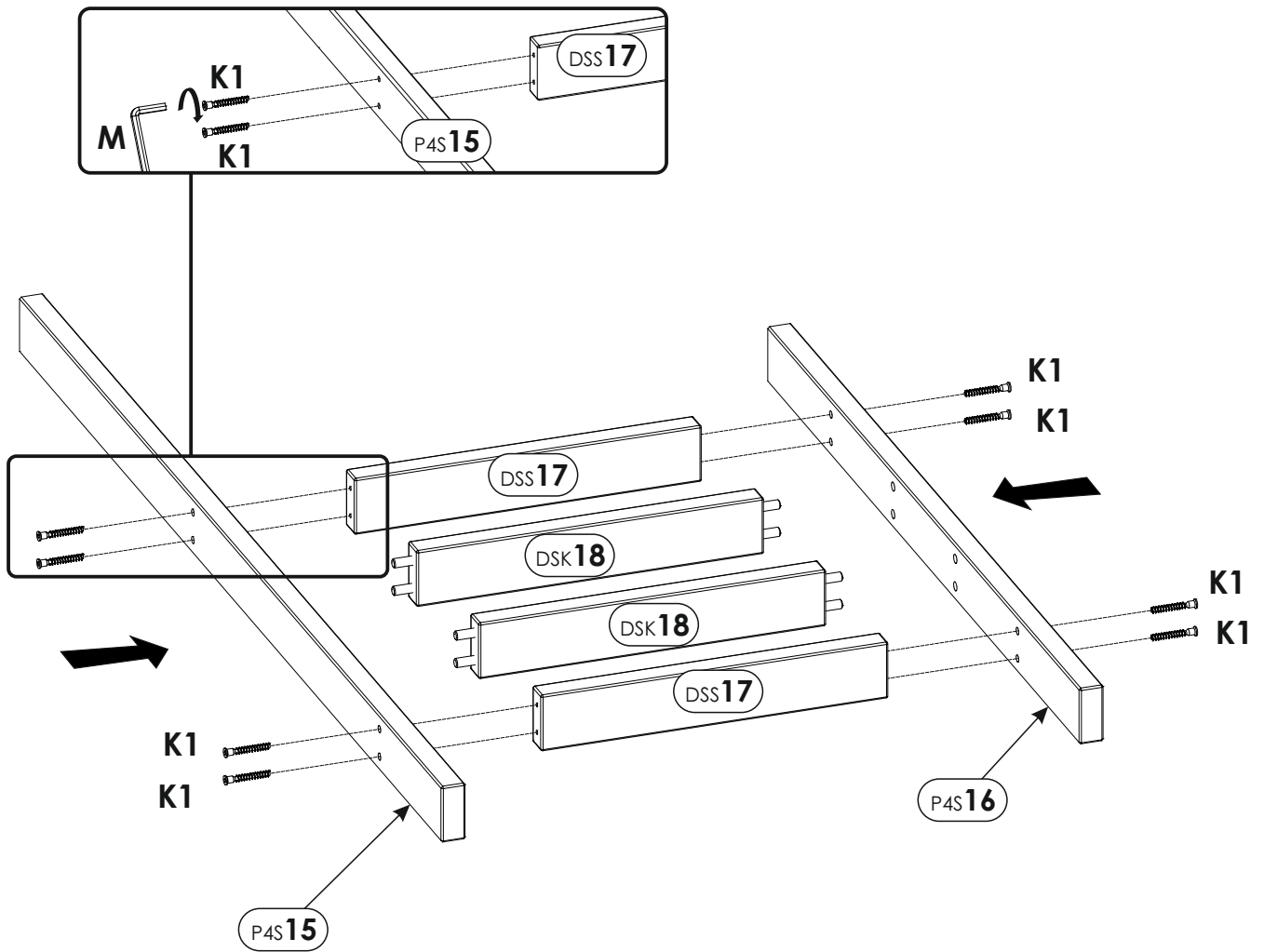
20.



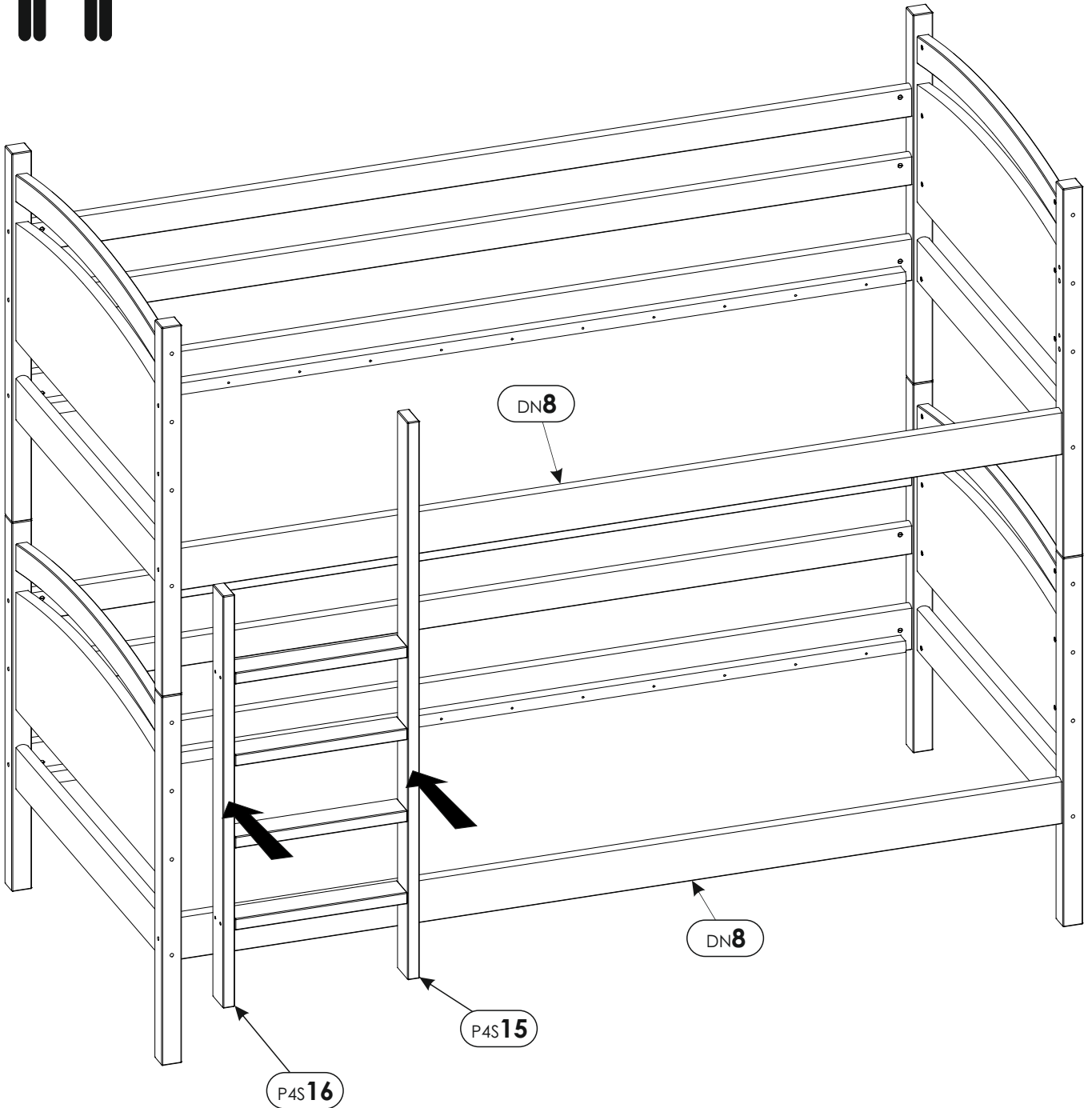
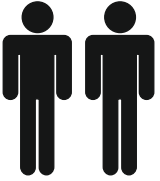
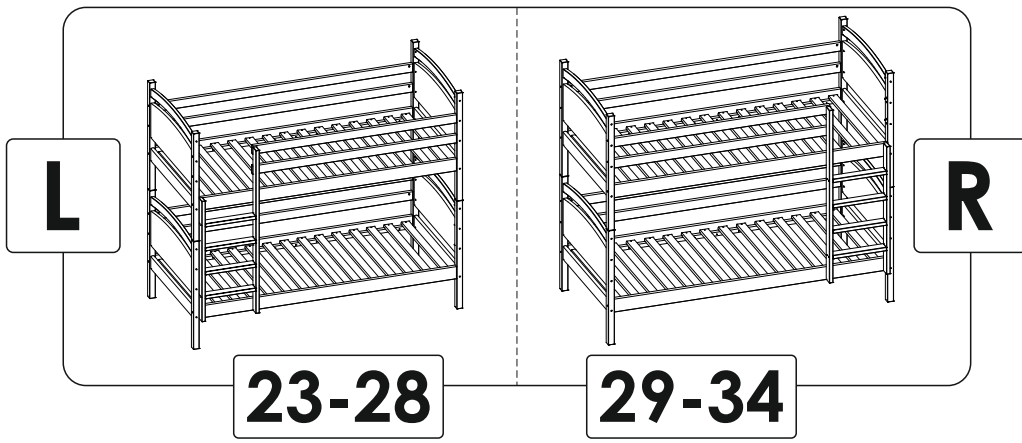
21.



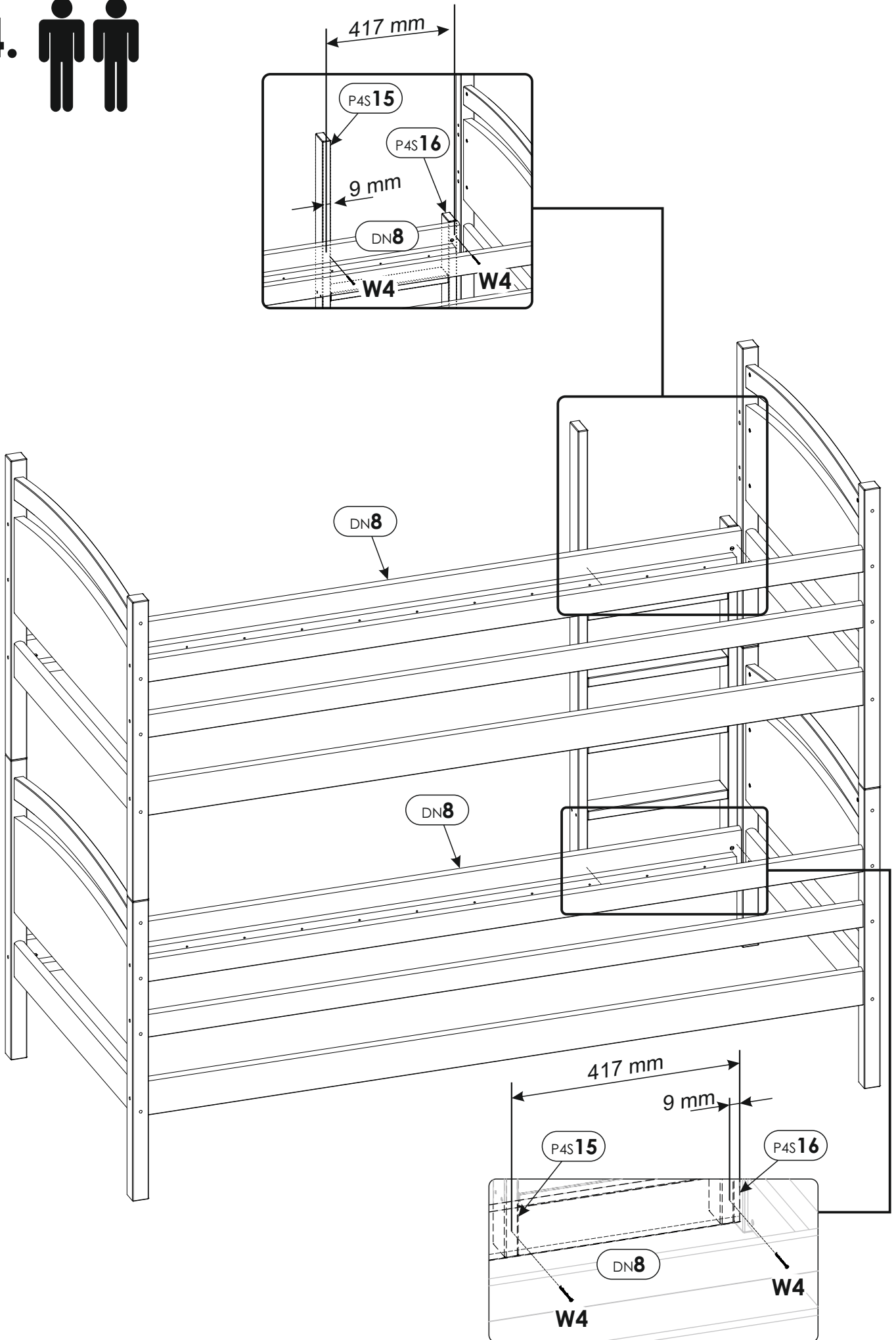
22.



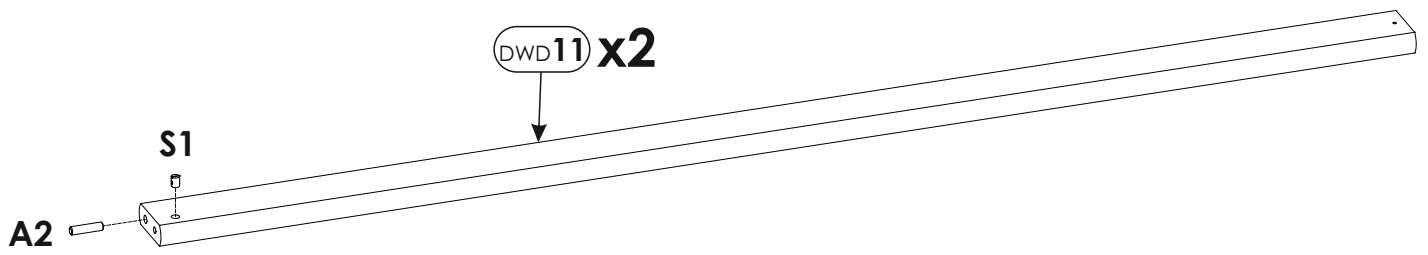
23.



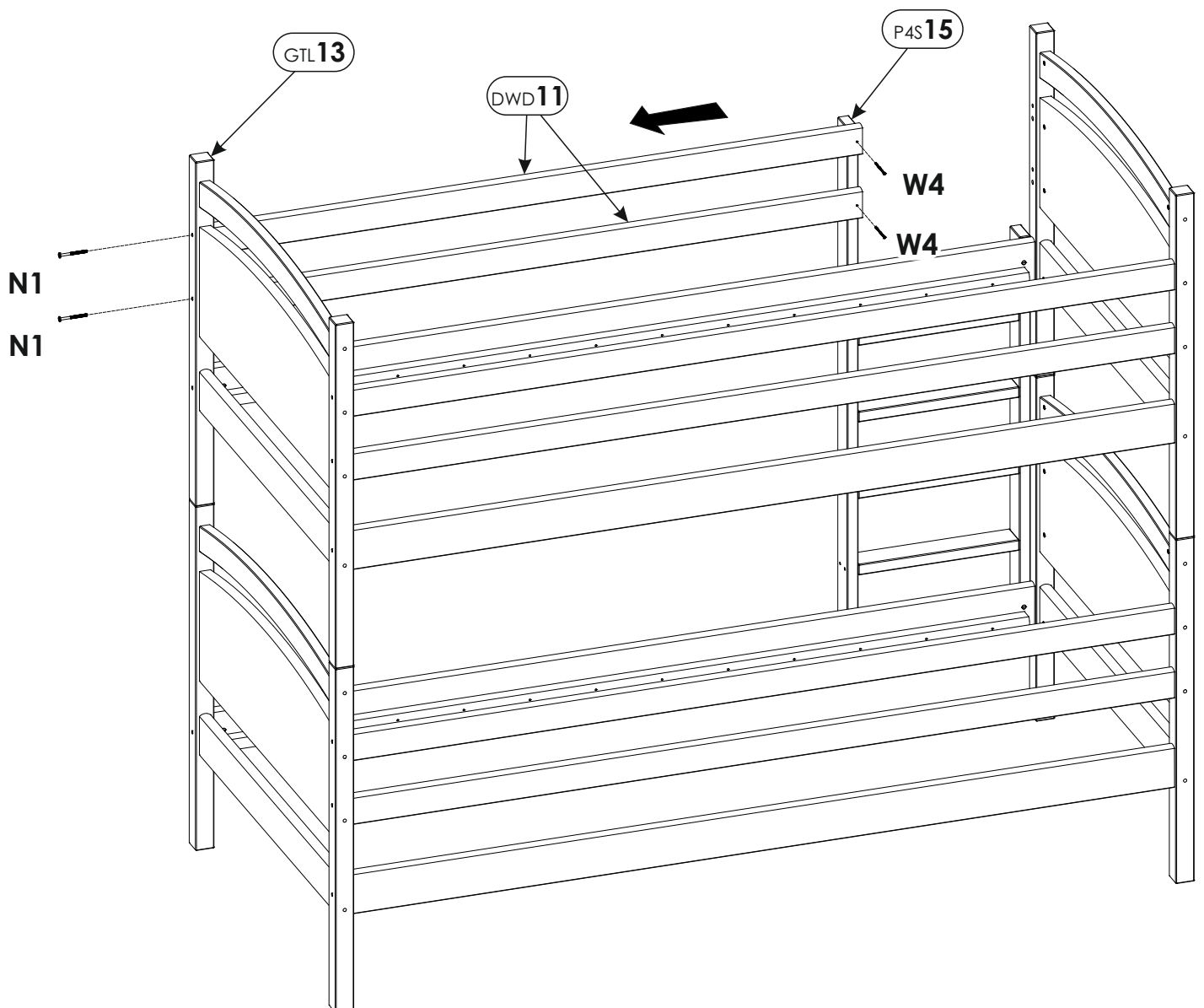
24.



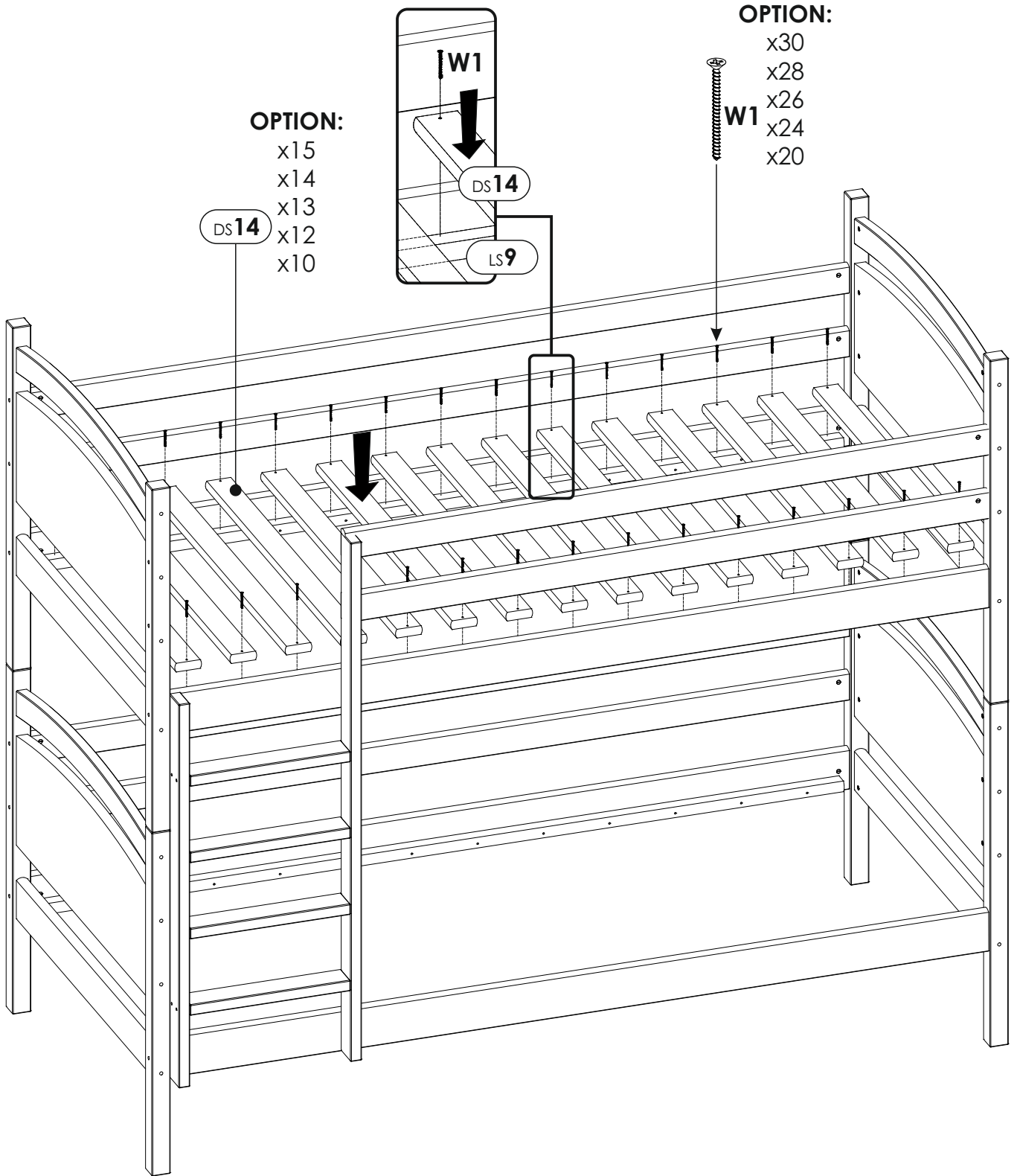
25.



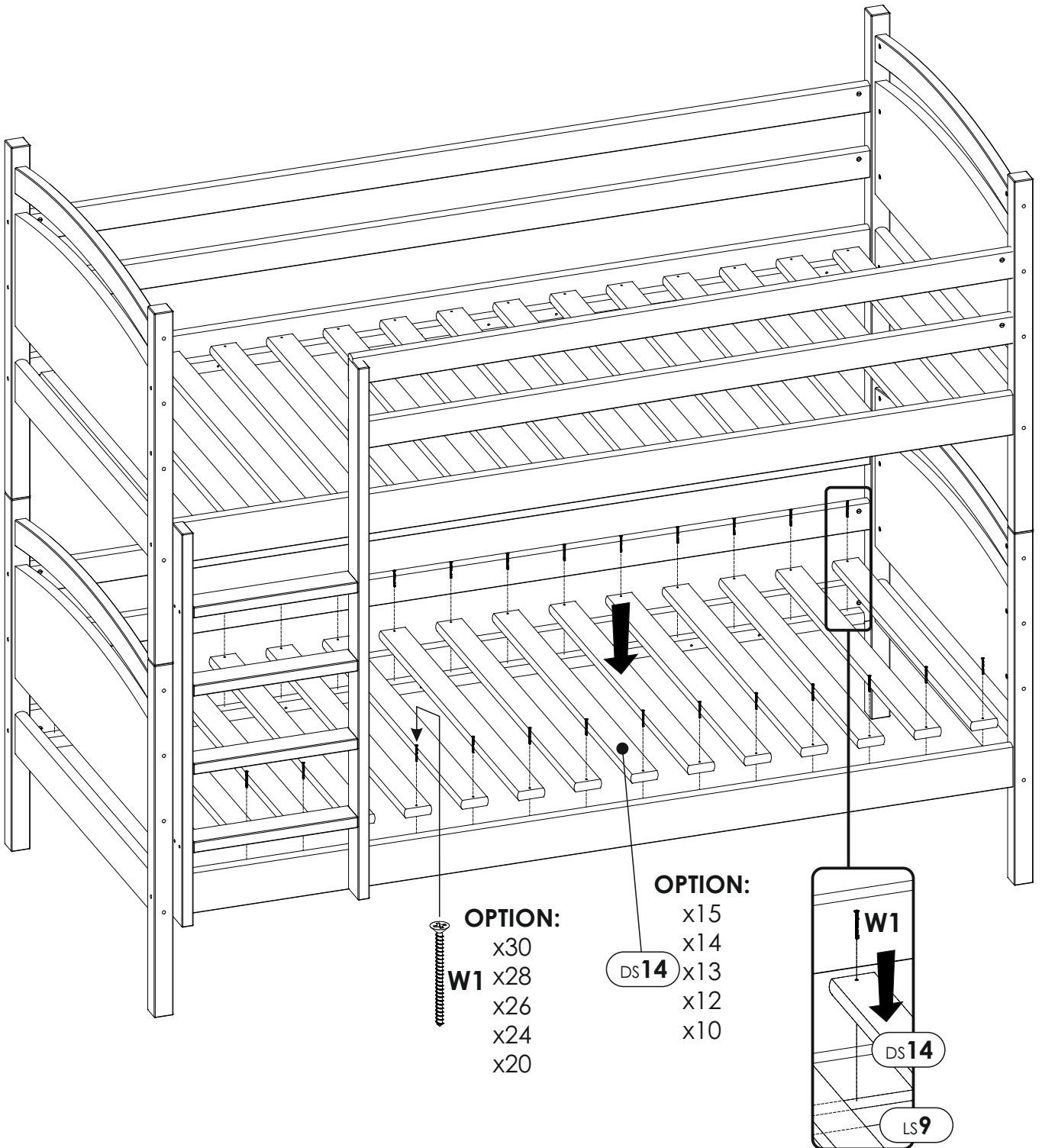
26.



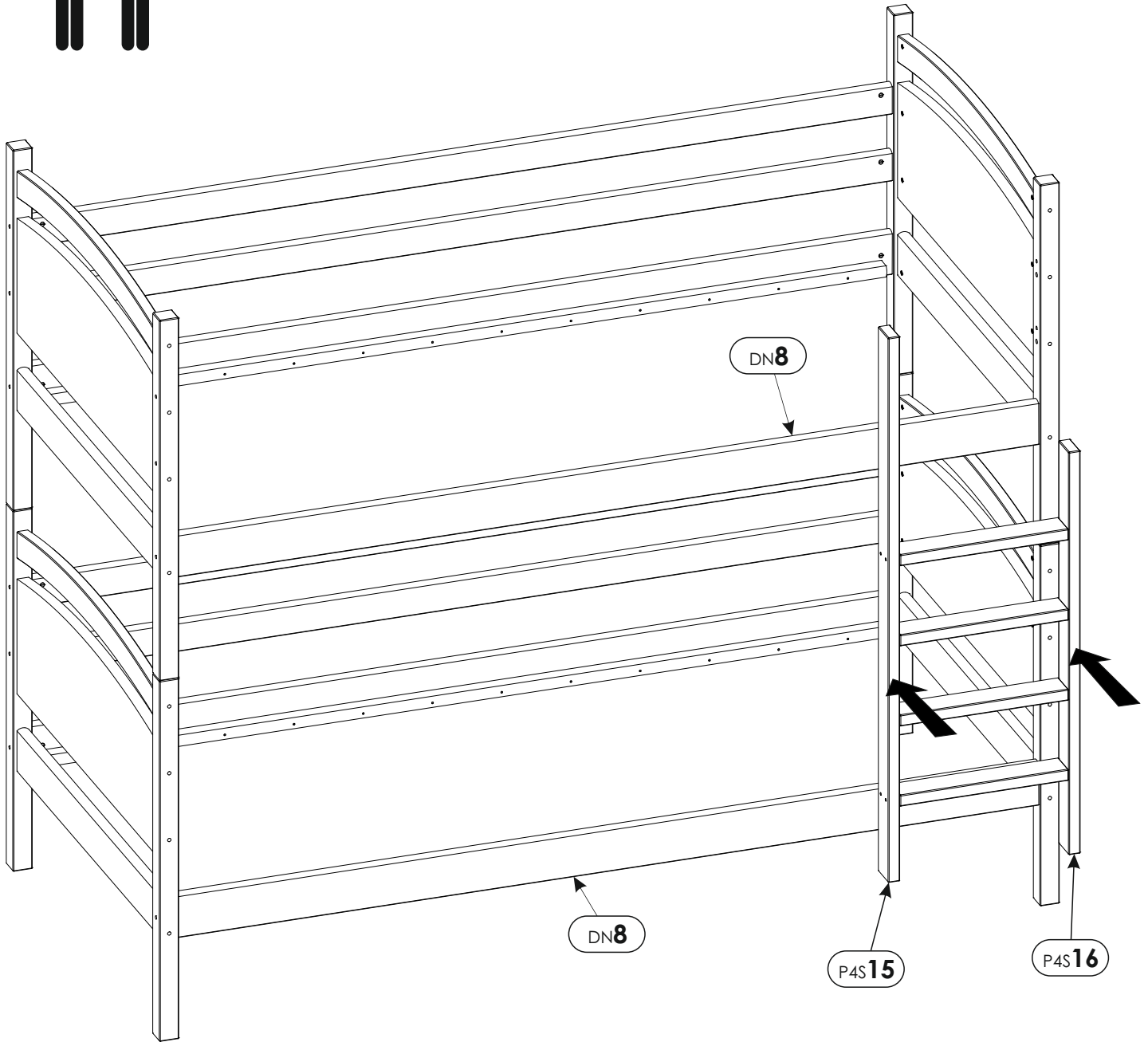
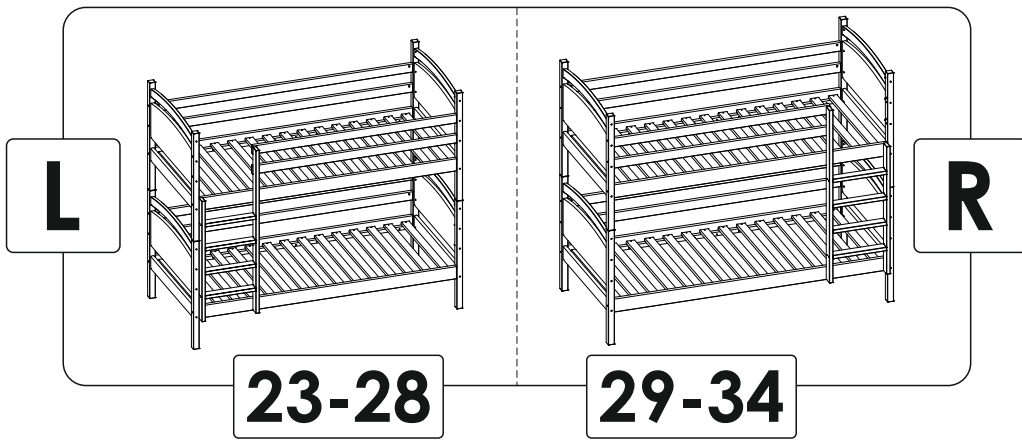
27.



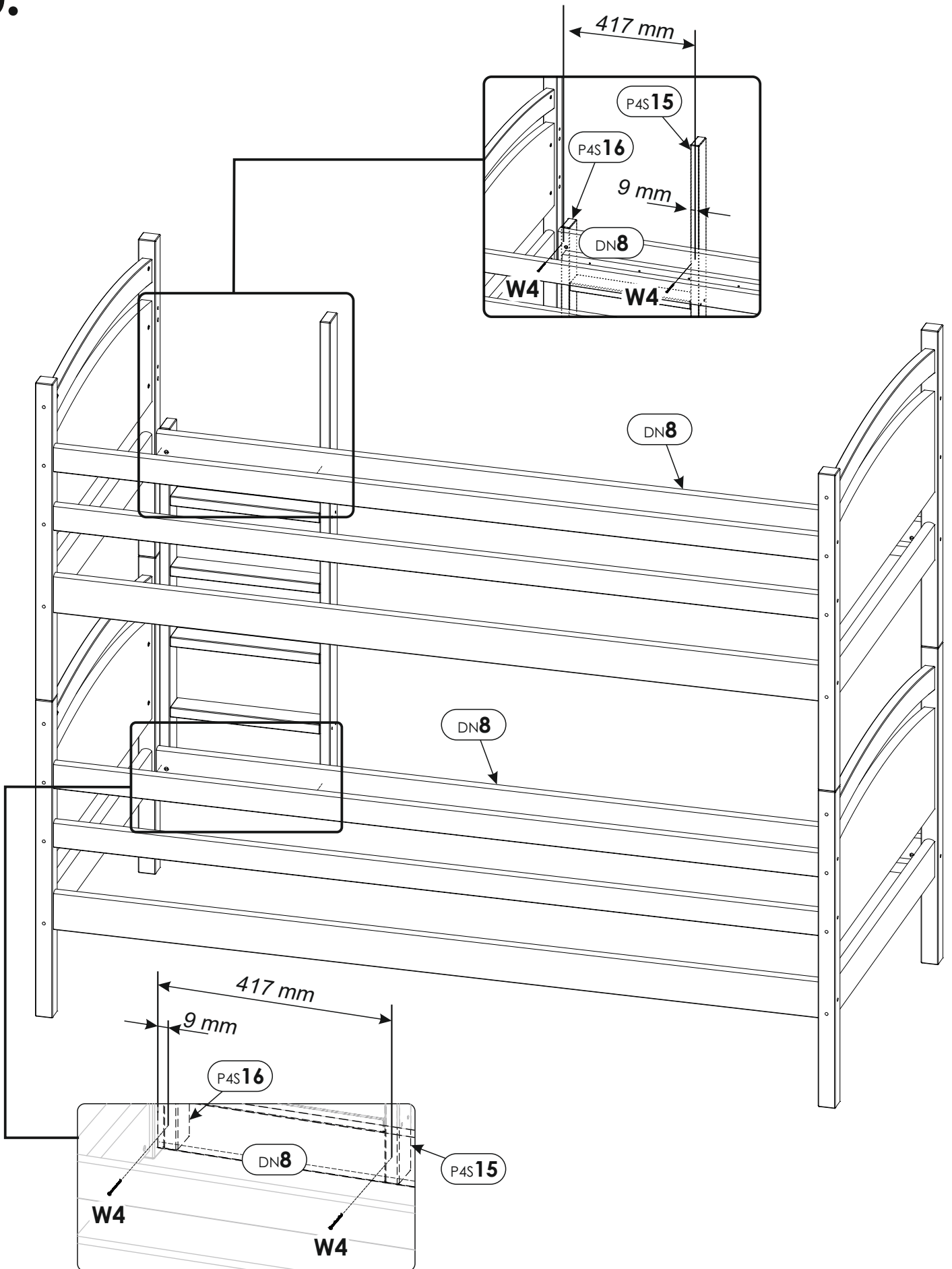
28.



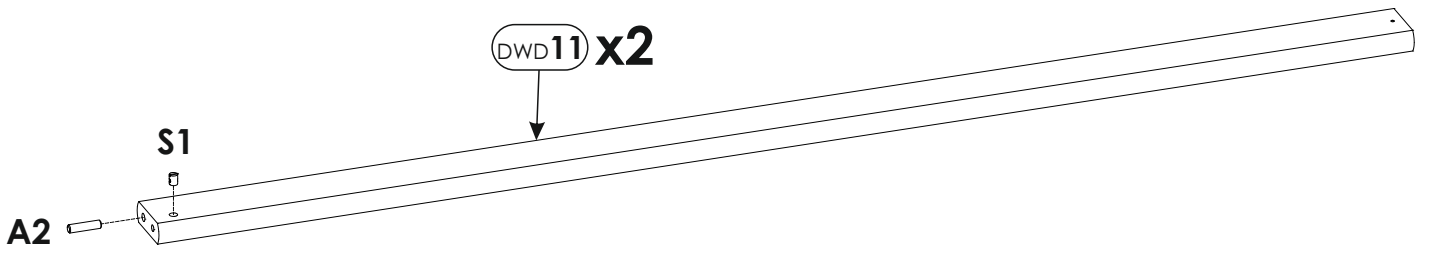
29.



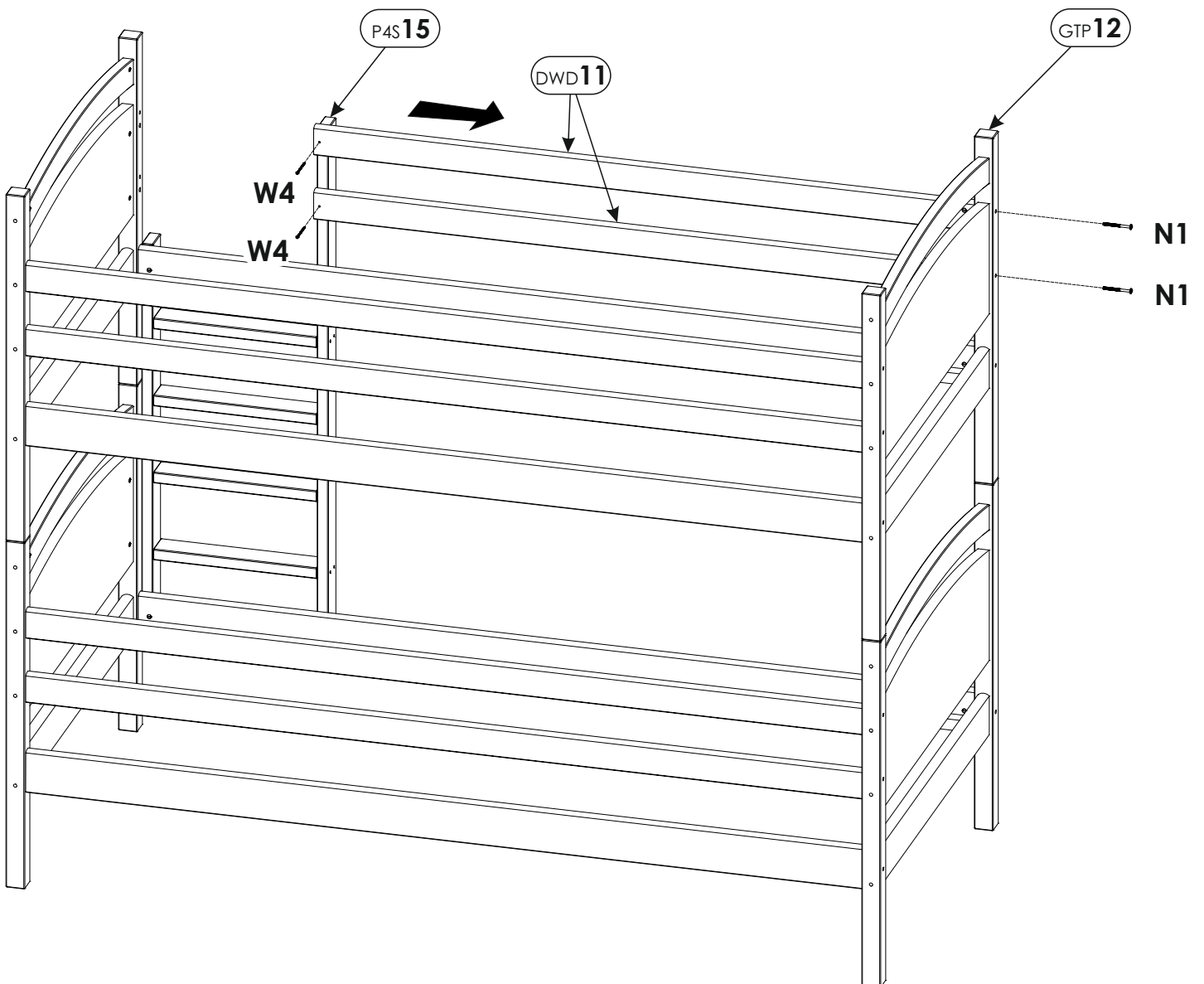
30.



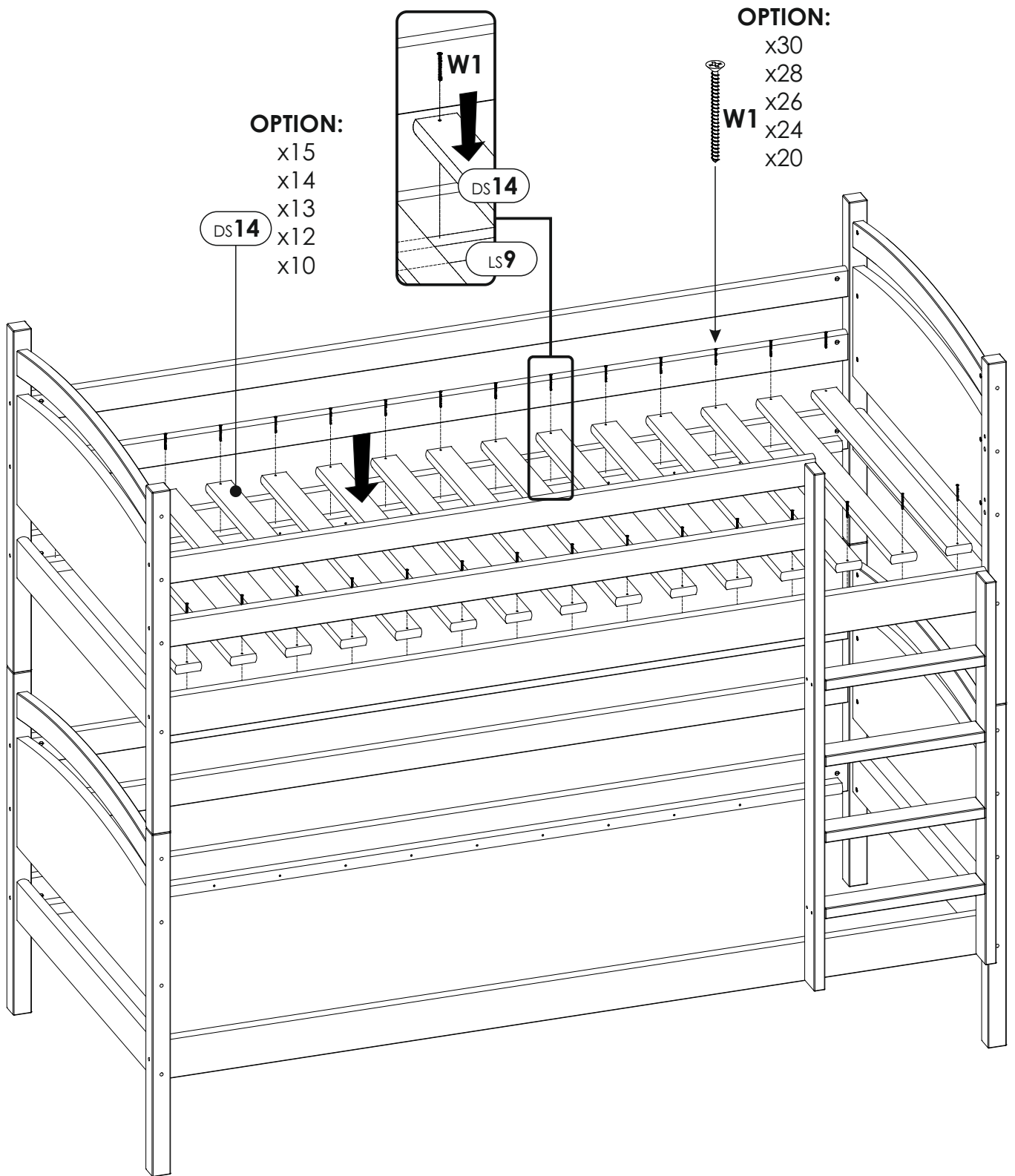
31.



32.



33.



34.

