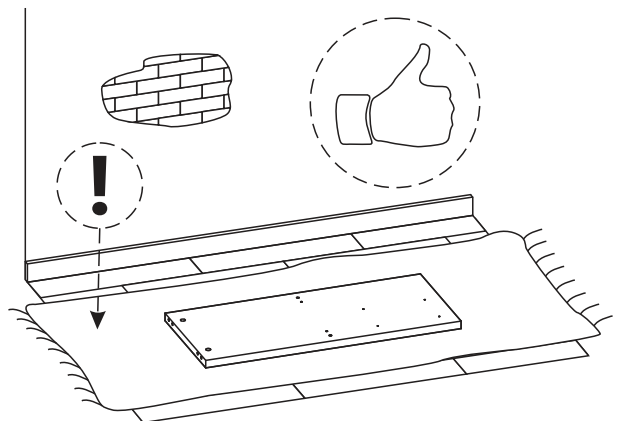
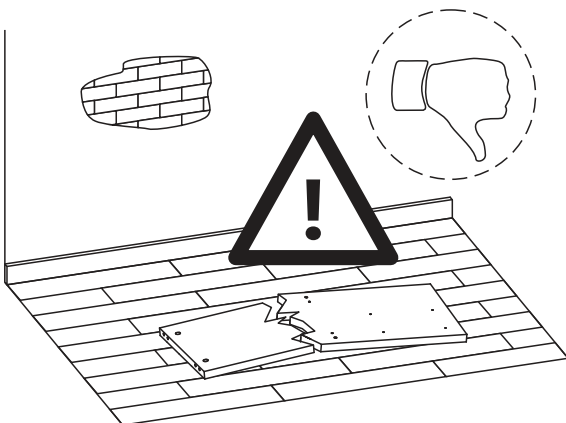
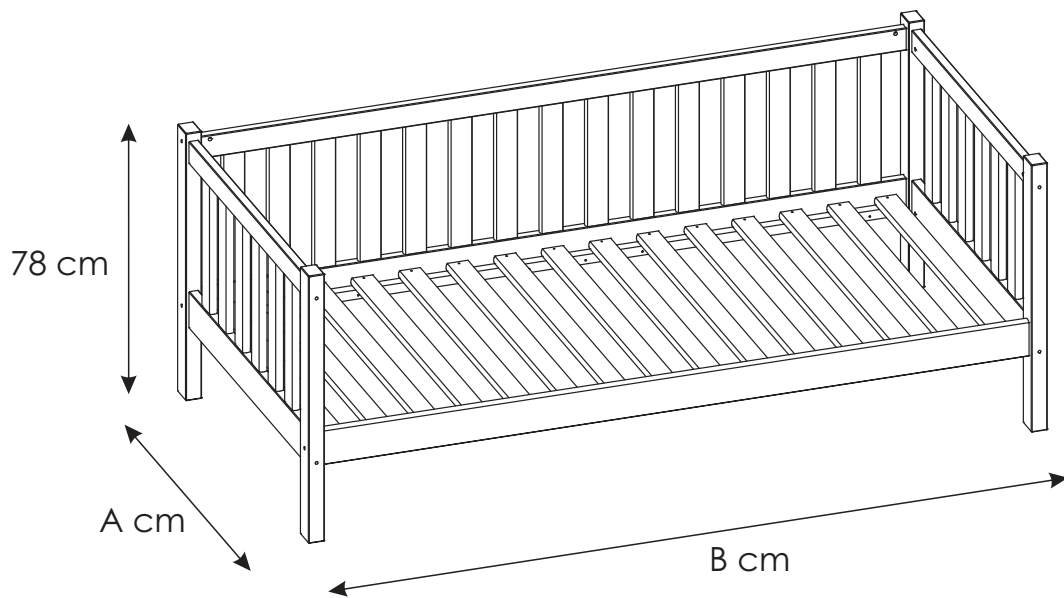
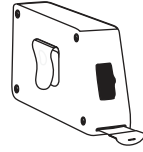
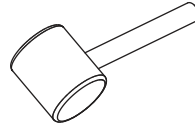
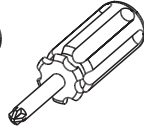
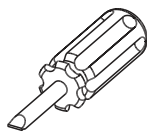
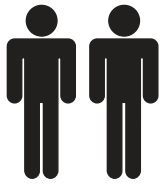
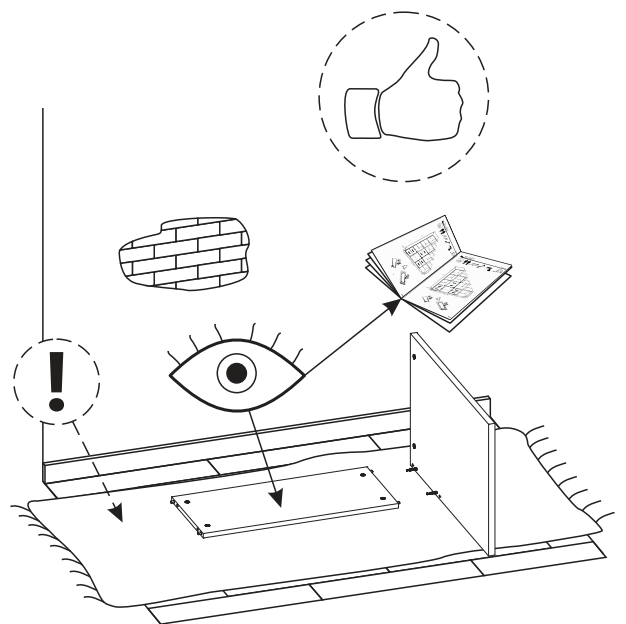
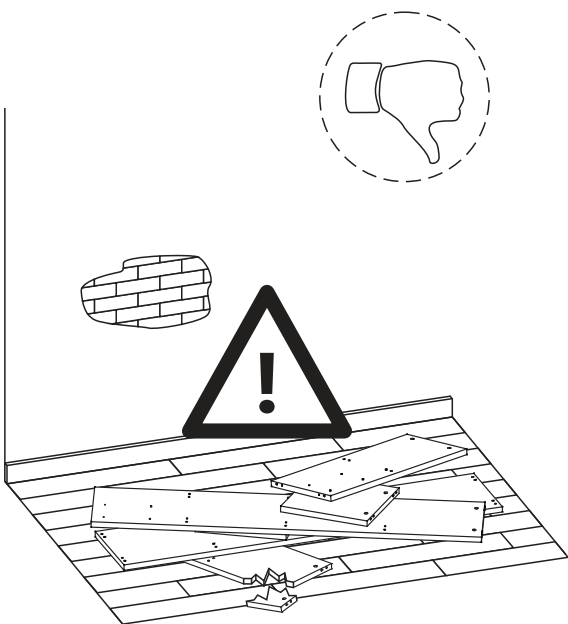
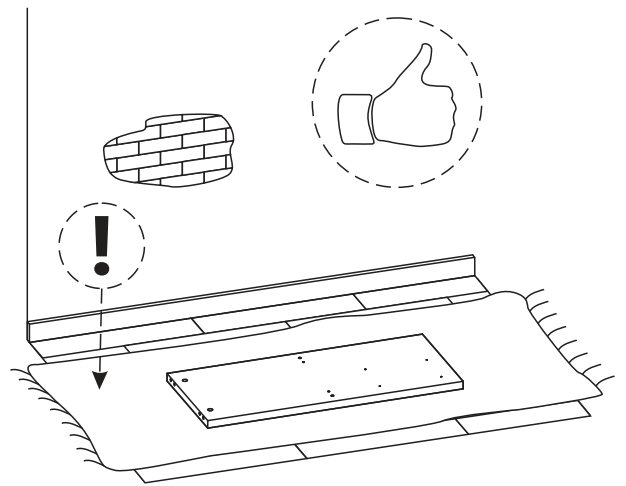
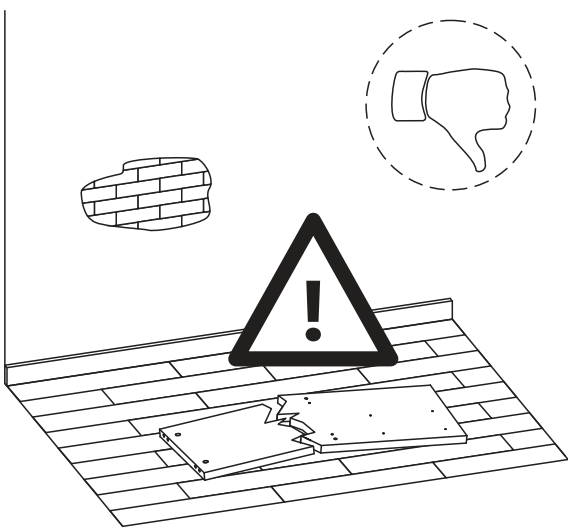
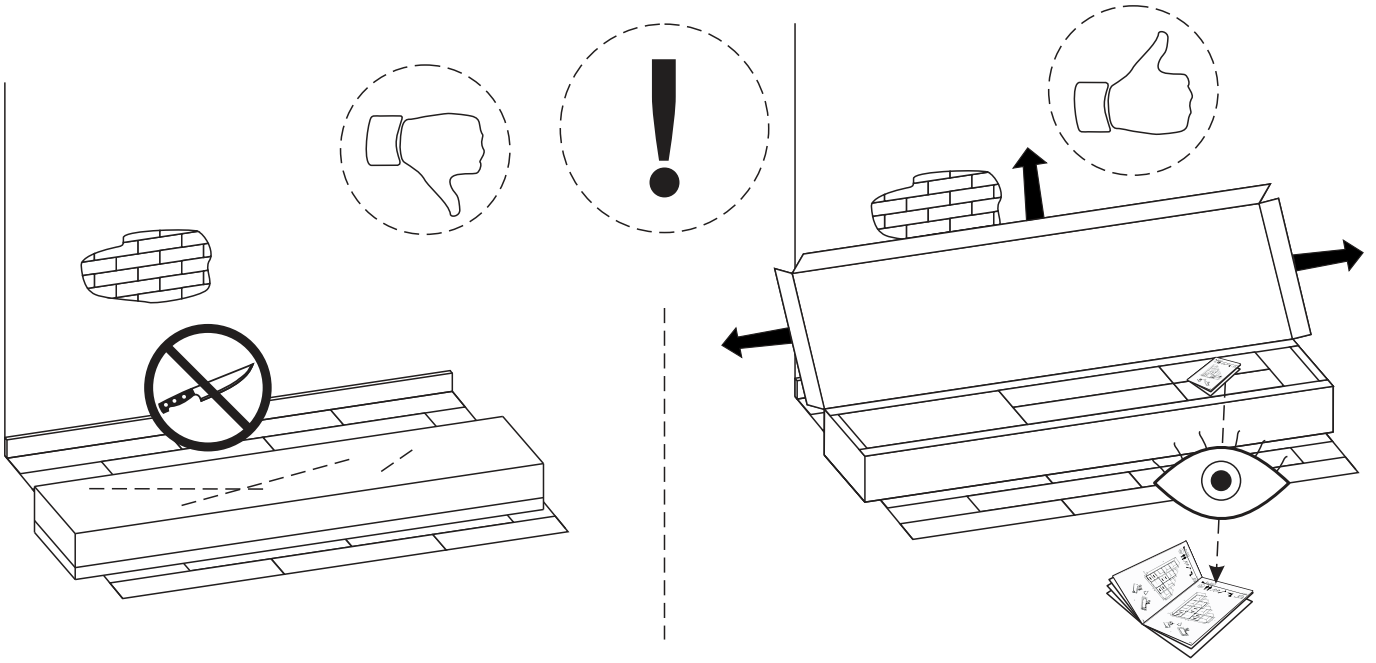
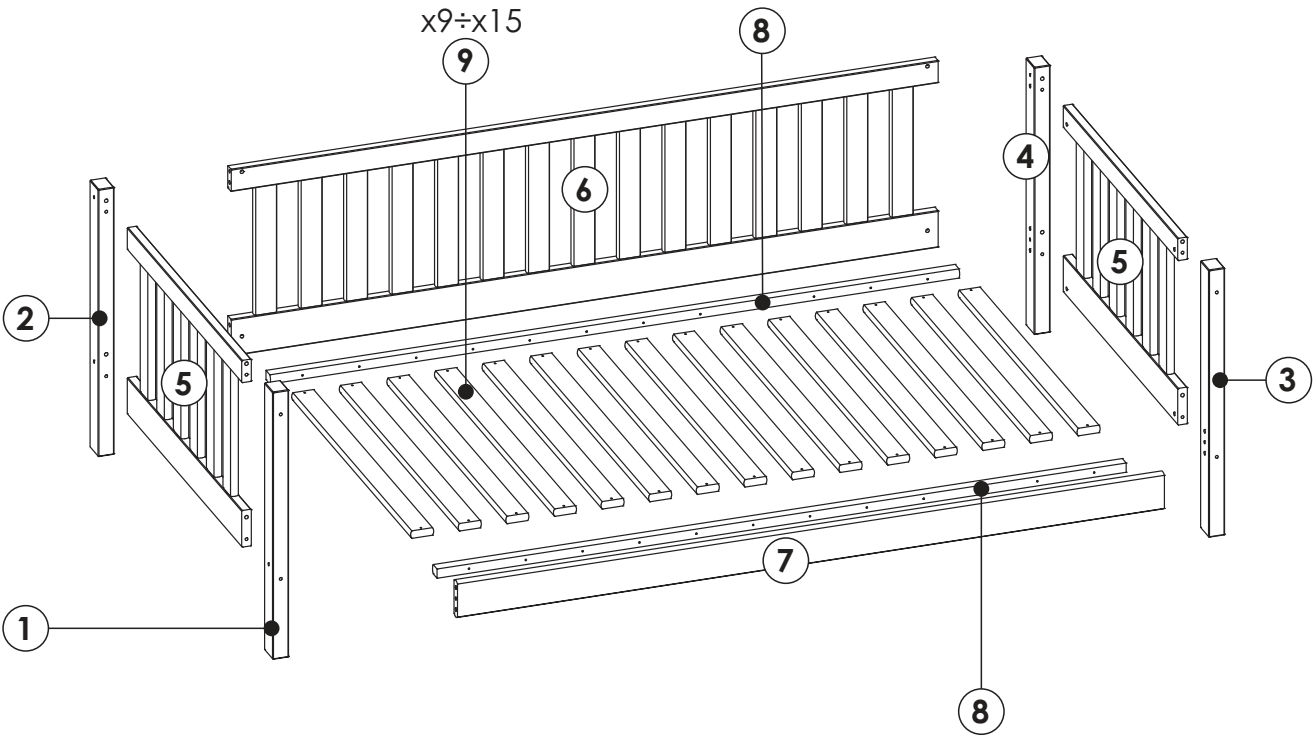
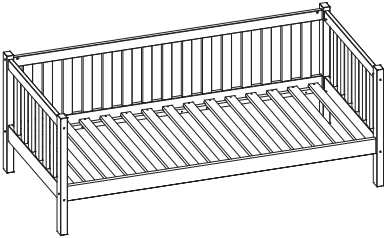


TERESA 0%





TERESA 0%



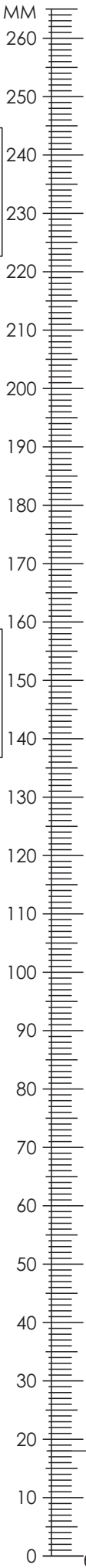
TERESA 0%

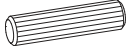

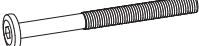
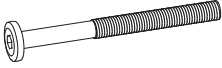

| | | | | | |
|--------------|--|-----|----|----|--------------------------------------|
| NPL 1 | 780 | 45 | 65 | x1 | TNPL_01960 |
| NTL 2 | 780 | 45 | 65 | x1 | TNTL_01940 |
| NPP 3 | 780 | 45 | 65 | x1 | TNPP_01970 |
| NTP 4 | 780 | 45 | 65 | x1 | TNTP_01950 |
| PBP 5 | 585, 685, 785, 885, 985 | 545 | 27 | x2 | PS_00470 DP_00480 DPT65_01110 |
| PDP 6 | 1190, 1390,1590, 1690,1790, 1890, 1990 | 545 | 27 | x1 | PS_00470 DPDC_00670 DPDC_00680 |
| DN 7 | 1190, 1390,1590, 1690,1790, 1890, 1990 | 107 | 27 | x1 | DN_00110 |
| LS 8 | 1140, 1340,1540, 1640,1740, 1840, 1940 | 35 | 27 | x2 | LS_00160 |

OPTION


| | | | | | | |
|-------------|--------|--------------------------|----|----|-----|----------|
| DS 9 | B=2000 | 620, 720, 820, 920, 1020 | 65 | 22 | x15 | DS_00170 |
| | B=1900 | | | | x14 | |
| | B=1800 | | | | x13 | |
| | B=1700 | | | | x13 | |
| | B=1600 | | | | x12 | |
| | B=1400 | | | | x10 | |
| | B=1200 | | | | x9 | |


TERESA 0%



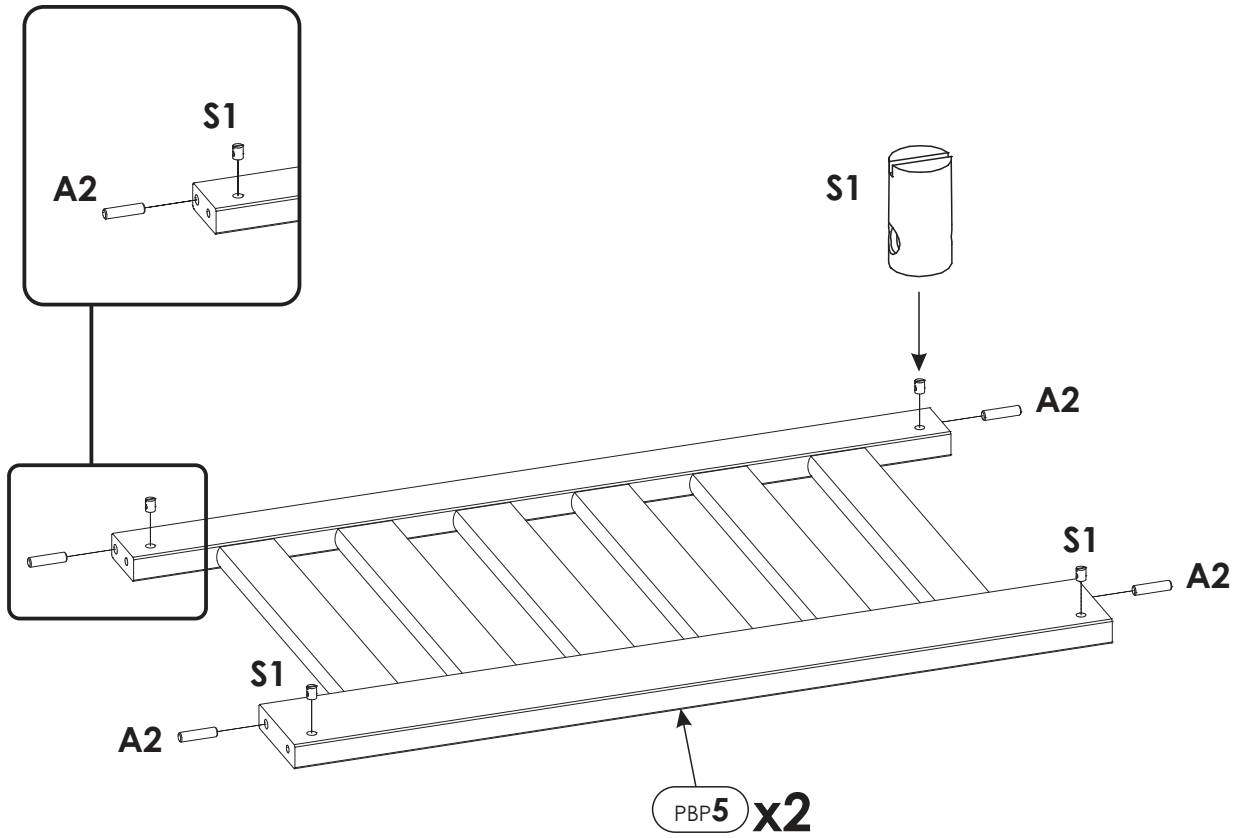
| | | |
|---|---|---|
| A2 akc_0002  10 x 40 mm x18 | M akc_0005  x1 | N1 akc_0006  6 x 80 mm x6 |
| N2 akc_0007  6 x 100 mm x8 | S1 akc_0008  10 x 16 mm x14 | |

----- **OPTION** -----

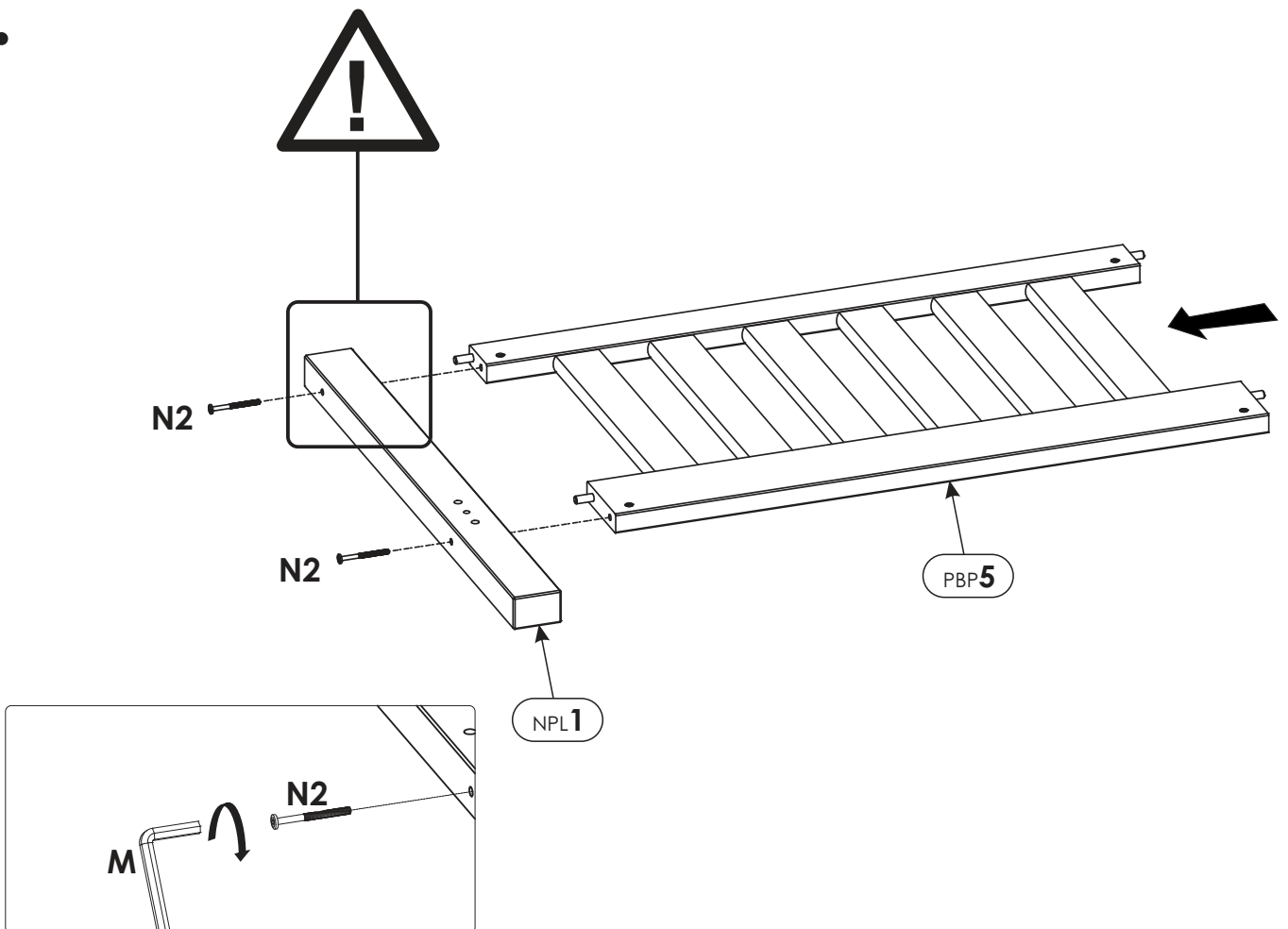
| |
|---|
| W1 akc_0009  3,5 x 40 mm 18 < x < 30 |
|---|

| |
|---|
| W3 akc_0011  4 x 50 mm 20 < x < 24 |
|---|

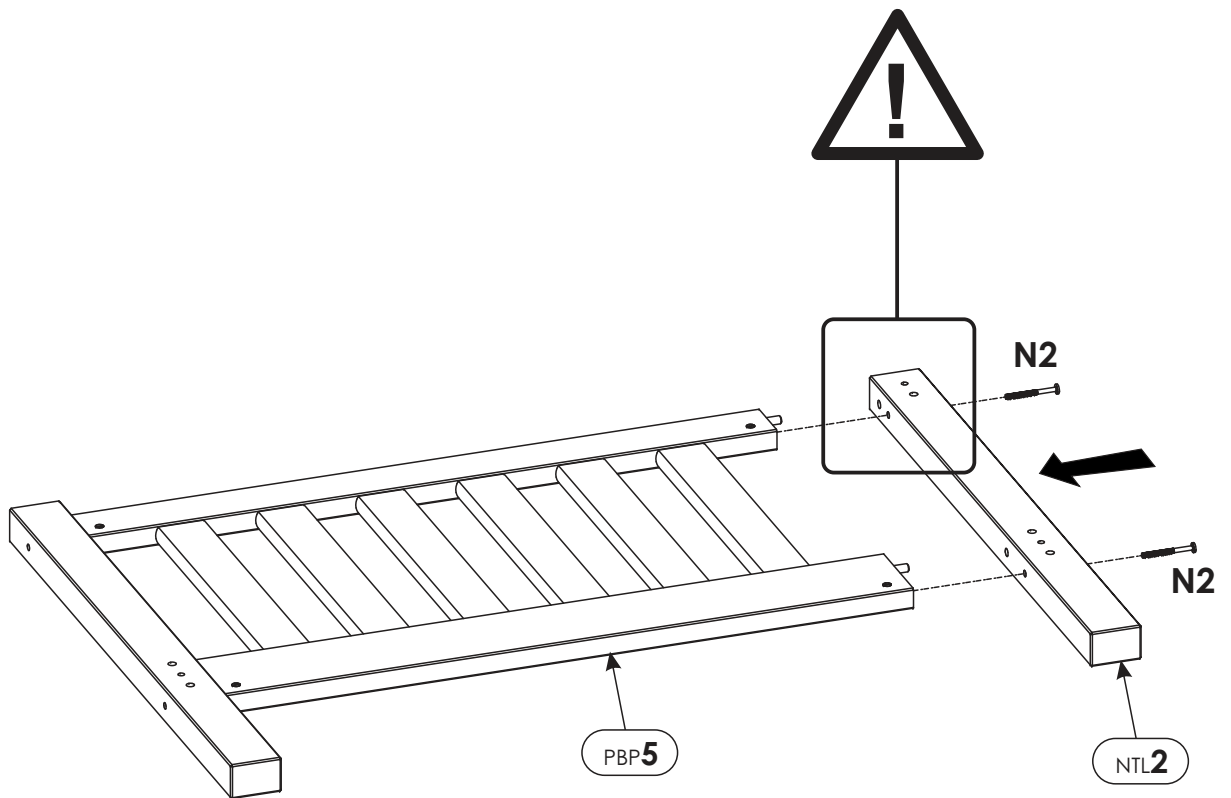
1.



2.

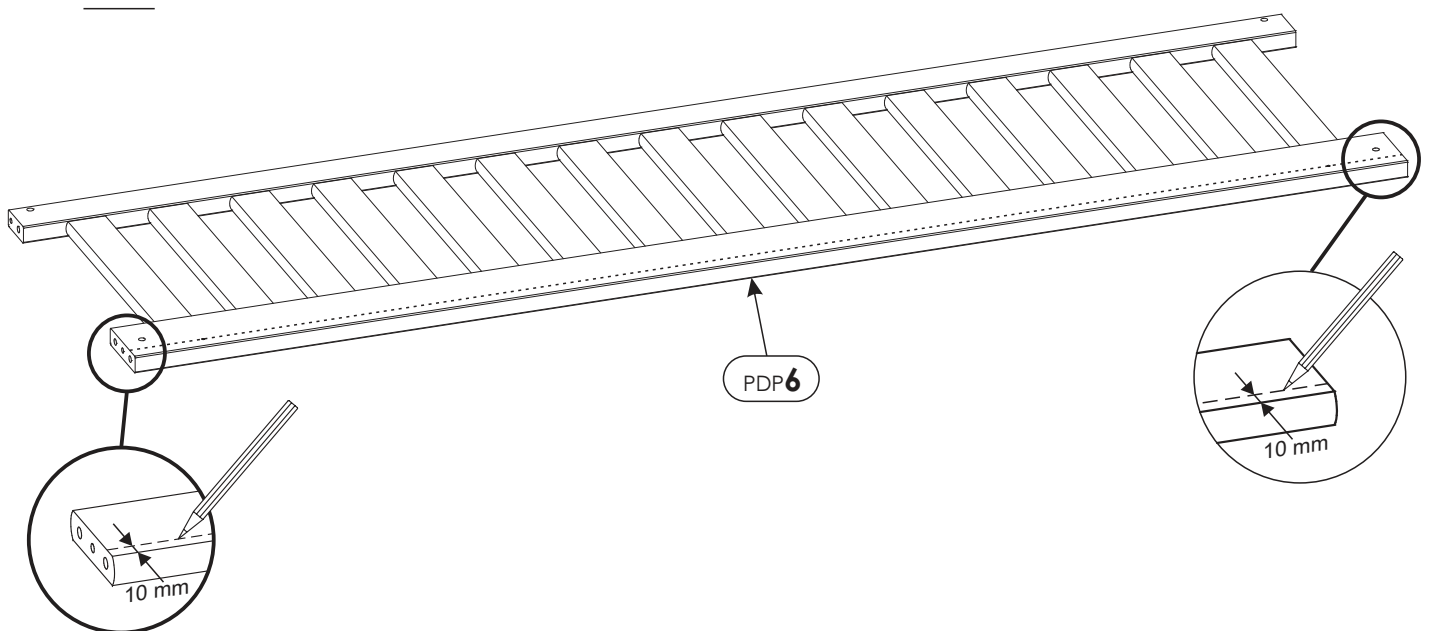


3.

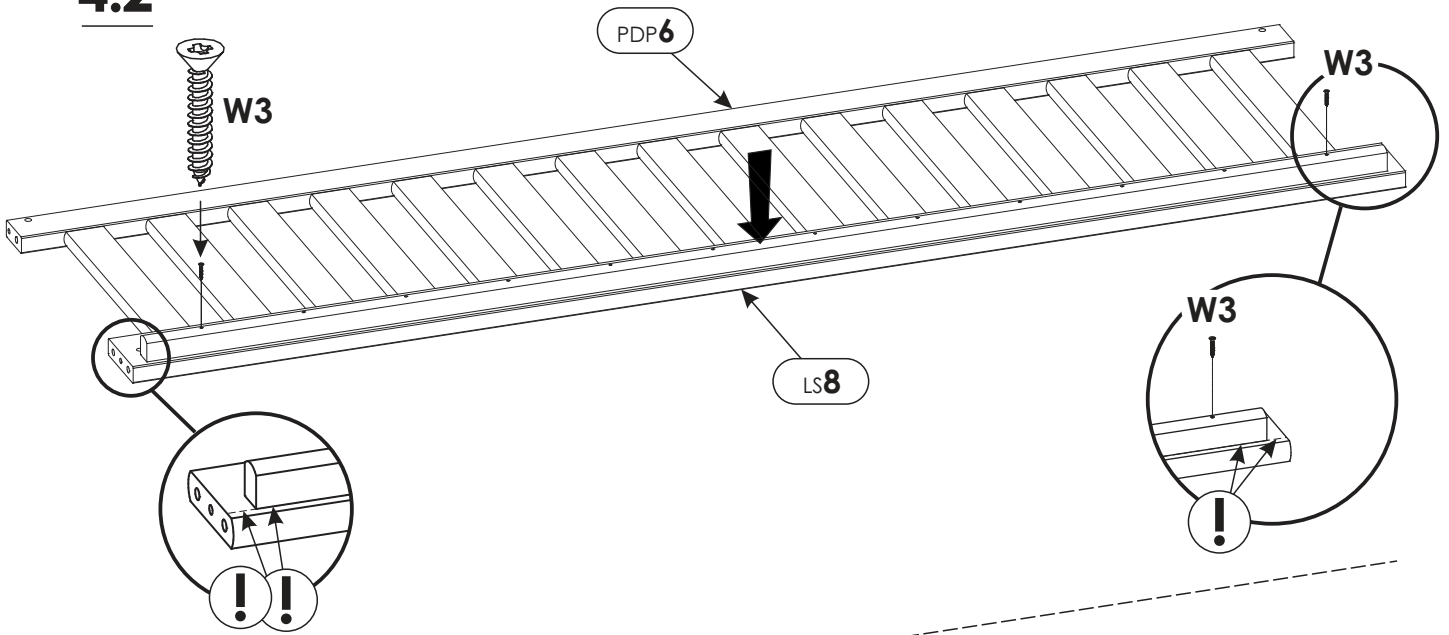


4.

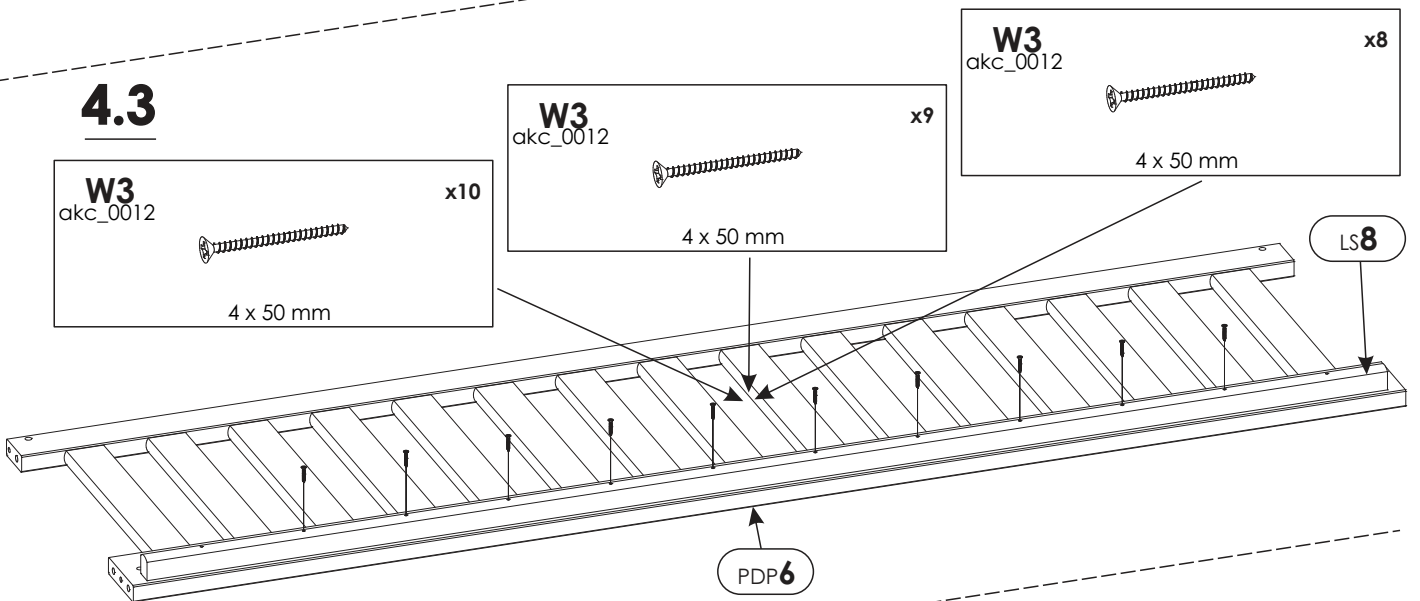
4.1



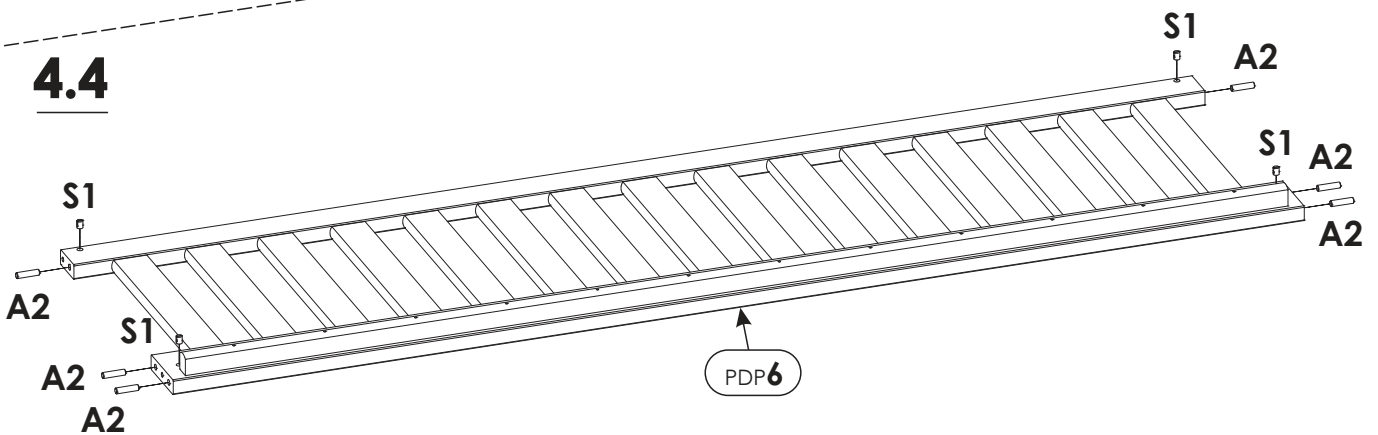
4.2



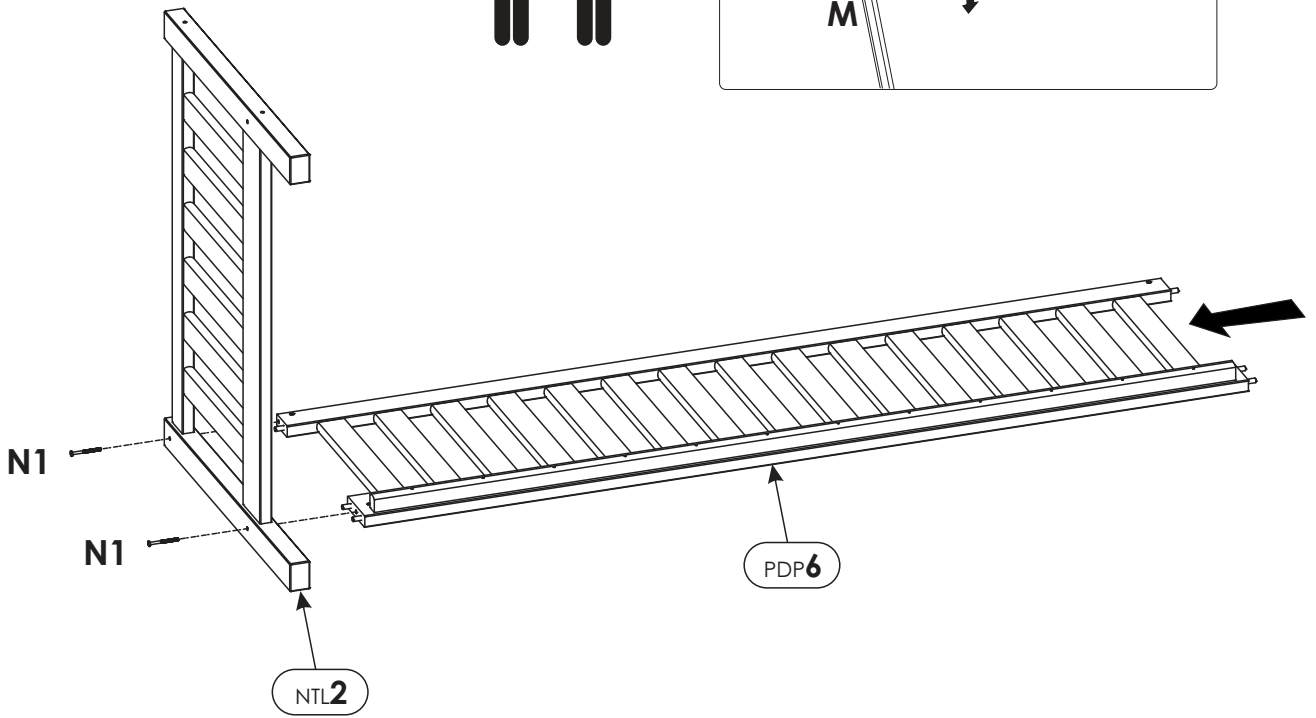
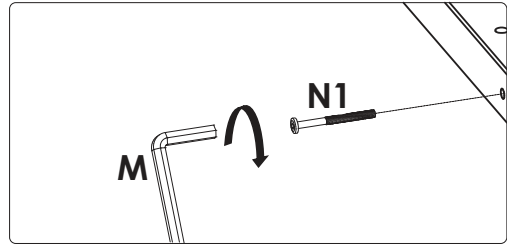
4.3



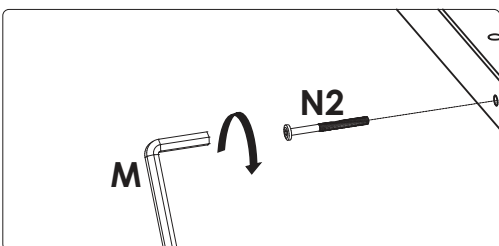
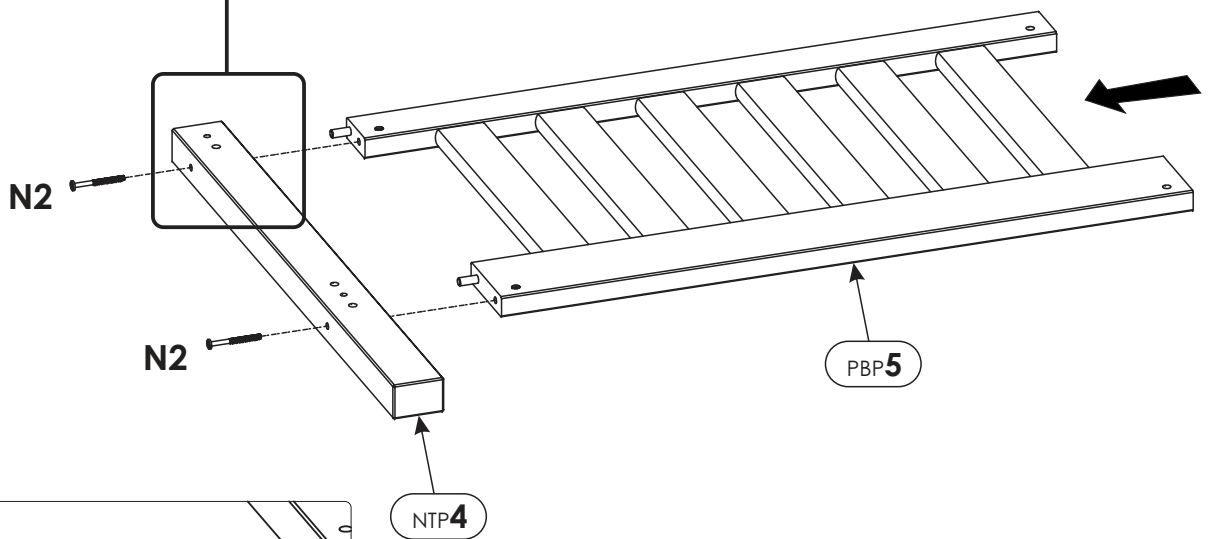
4.4



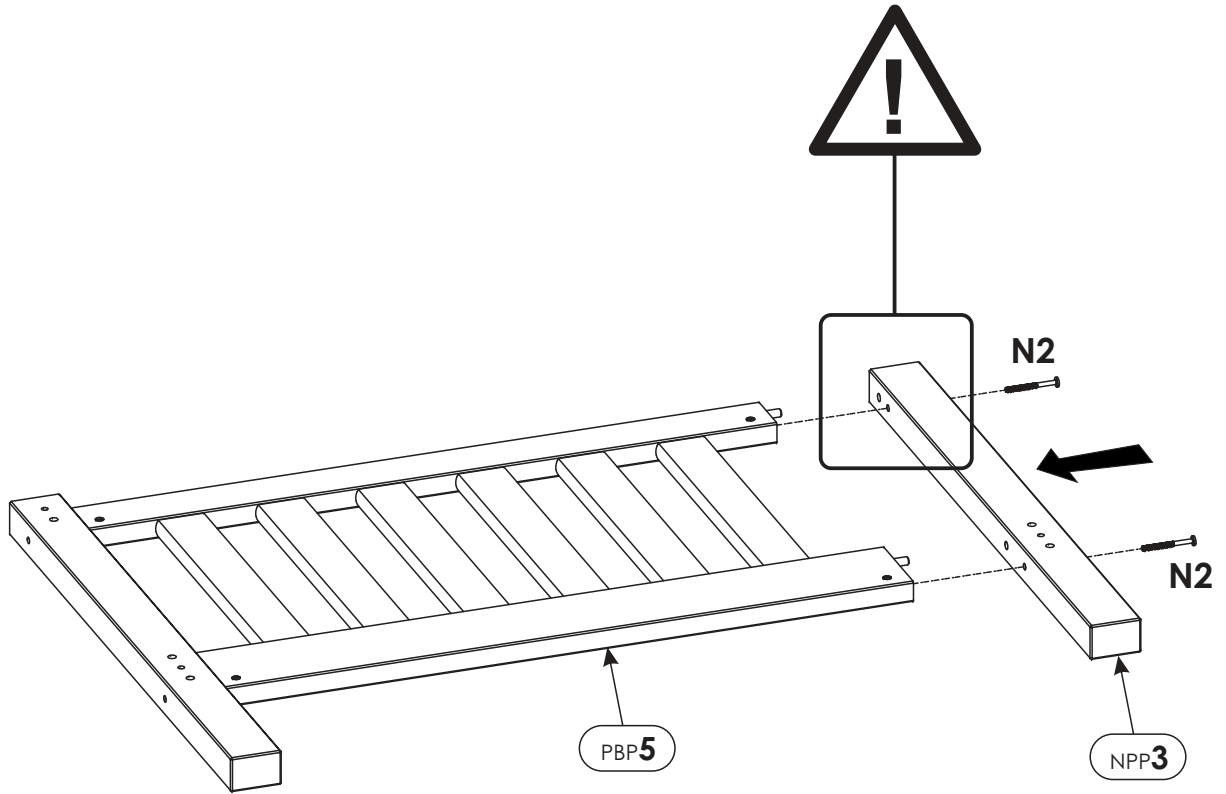
5.



6.

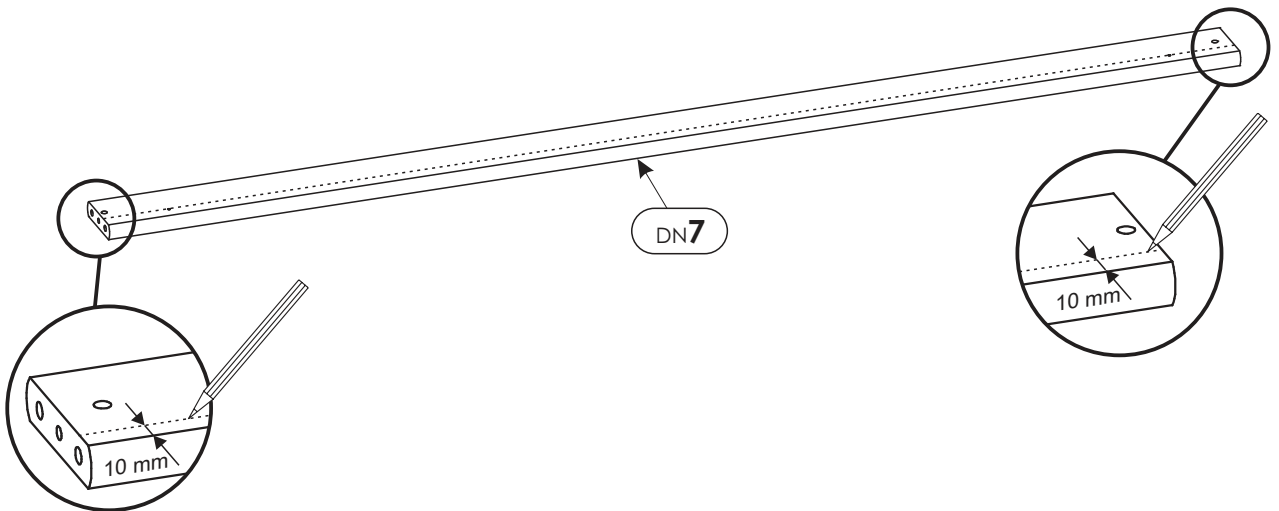


7.

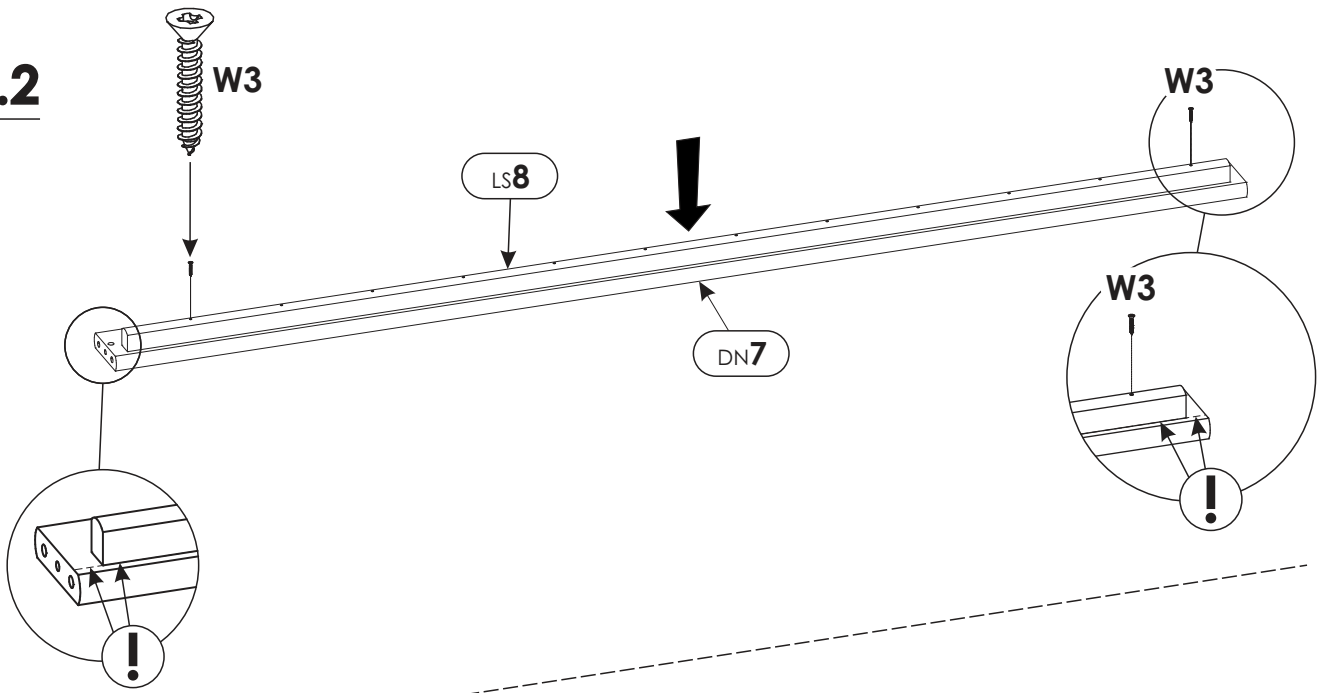


8.

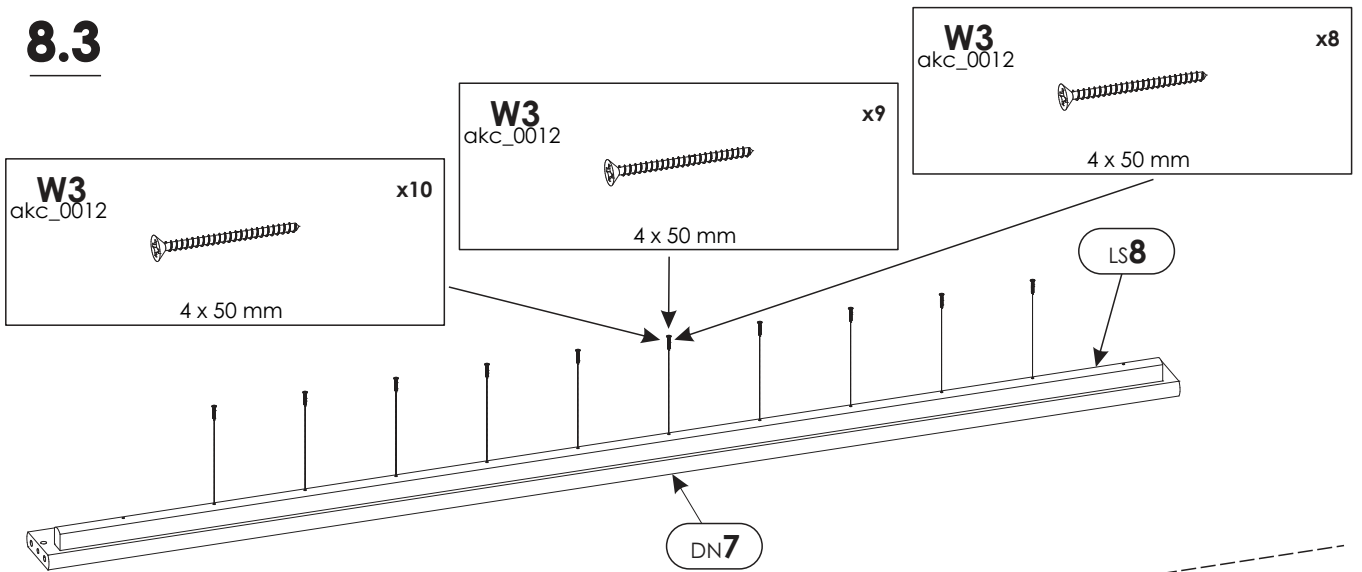
8.1



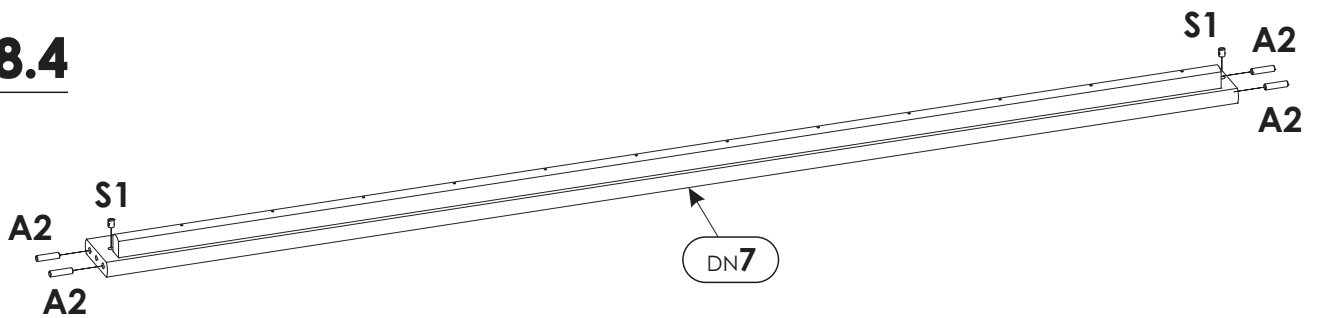
8.2



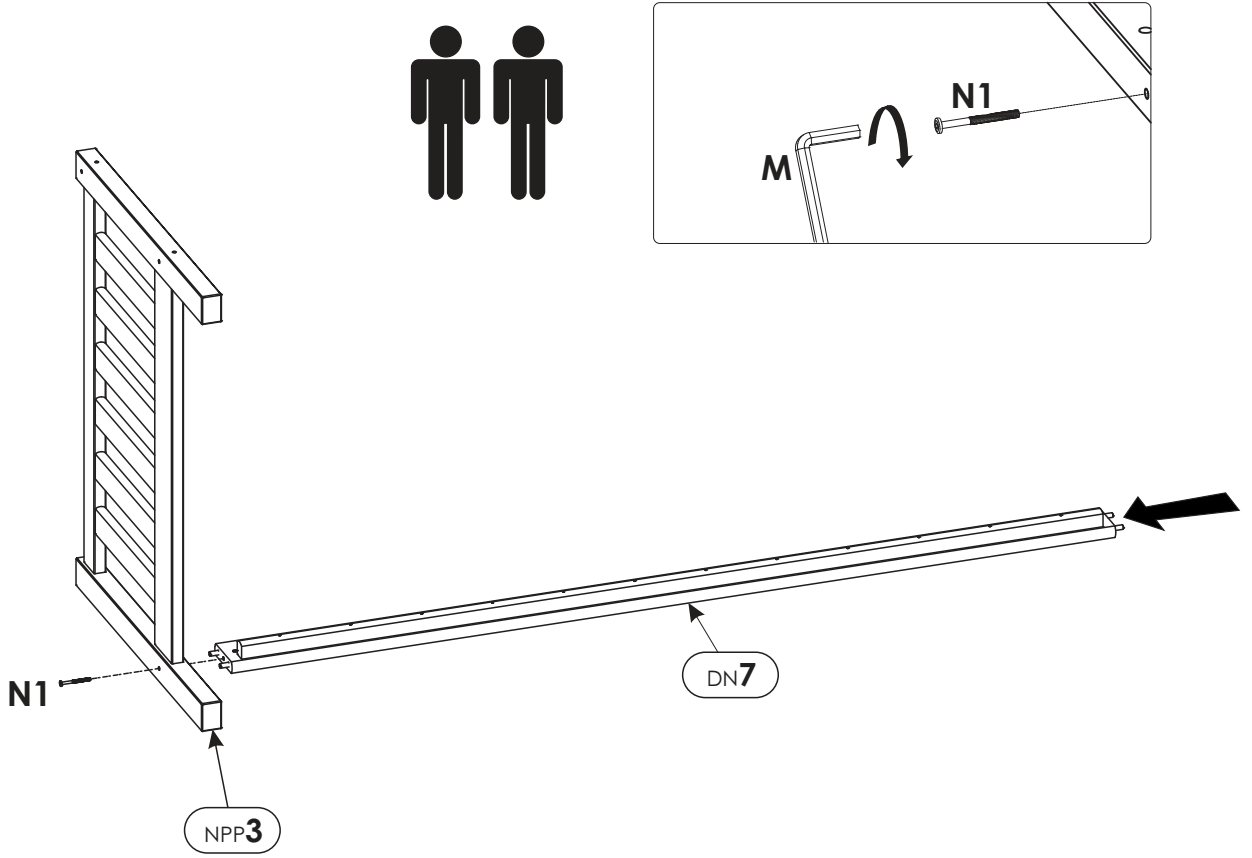
8.3



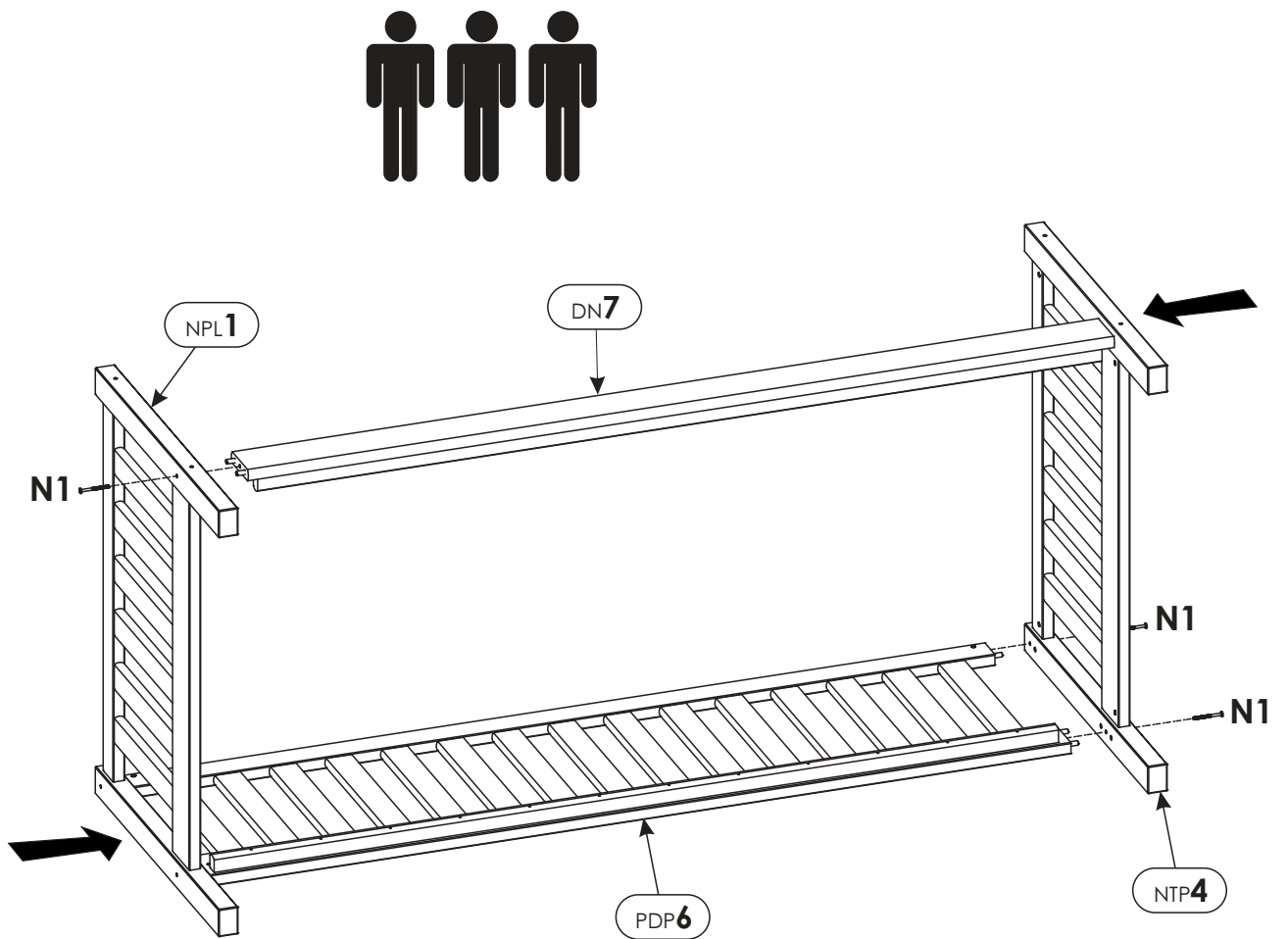
8.4



9.



10.



11.

