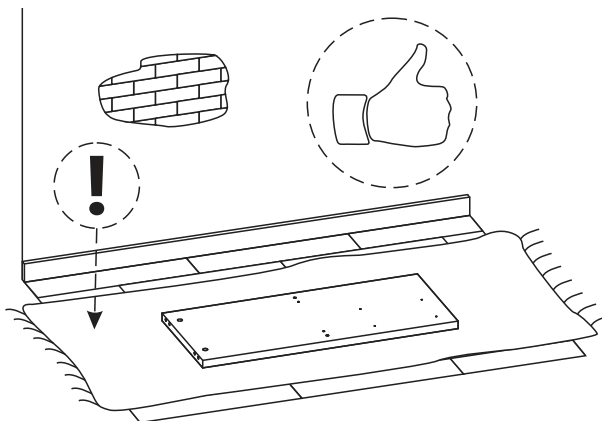
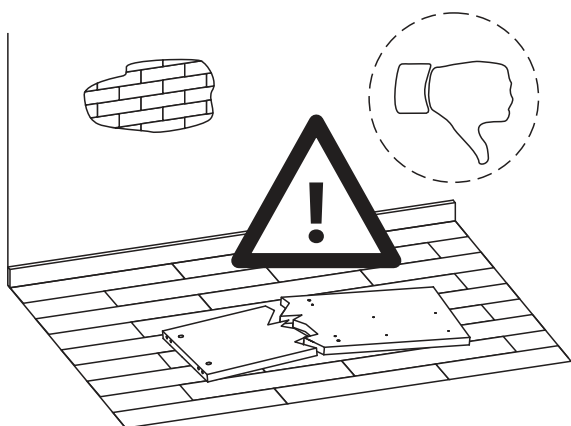
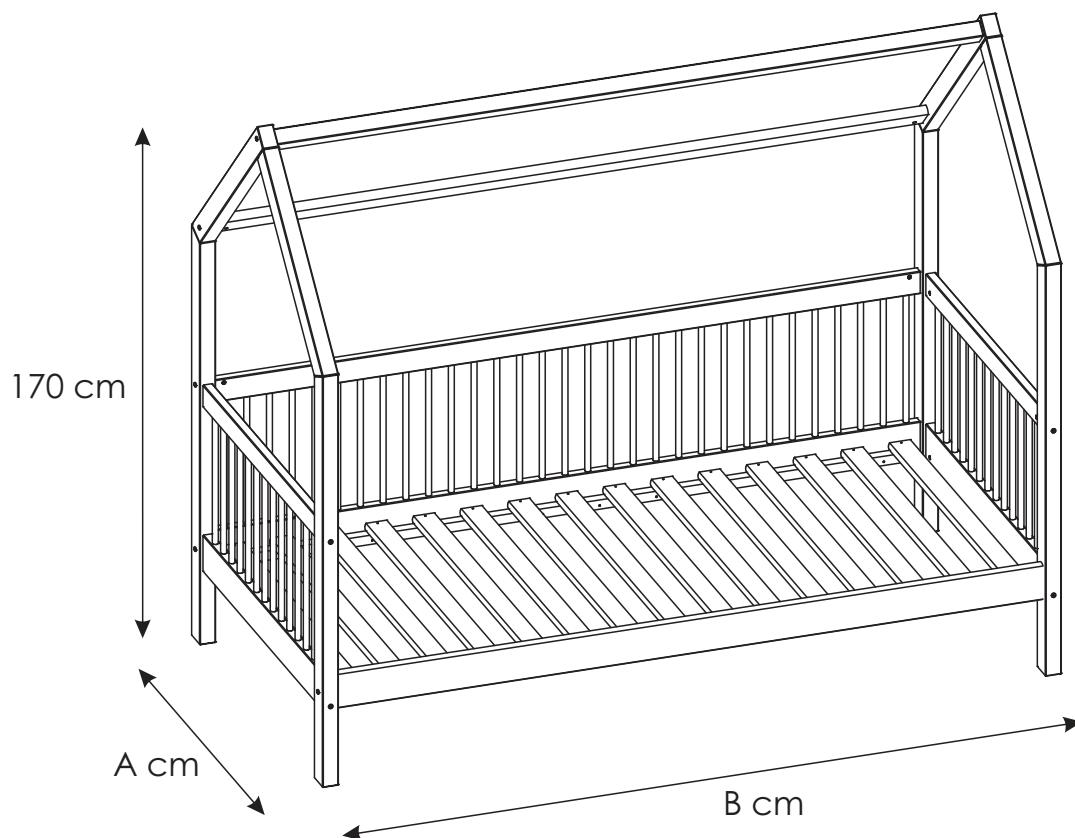
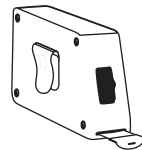
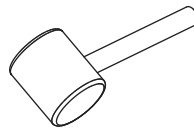
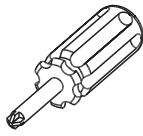
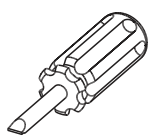
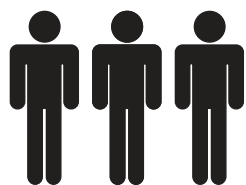
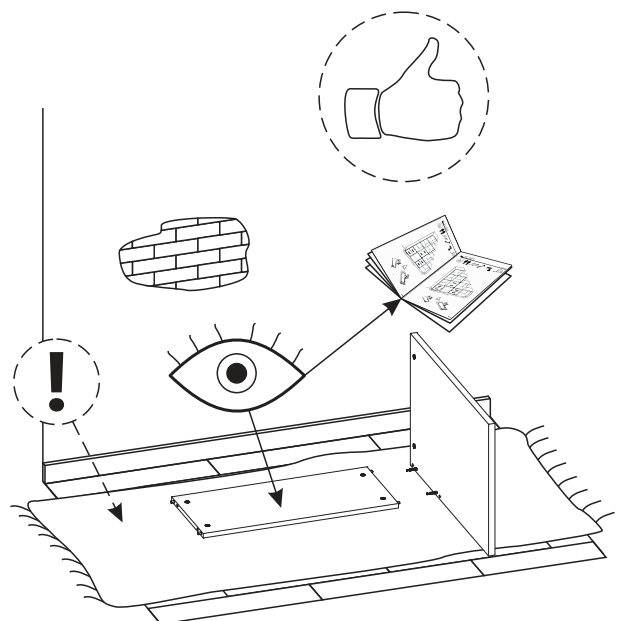
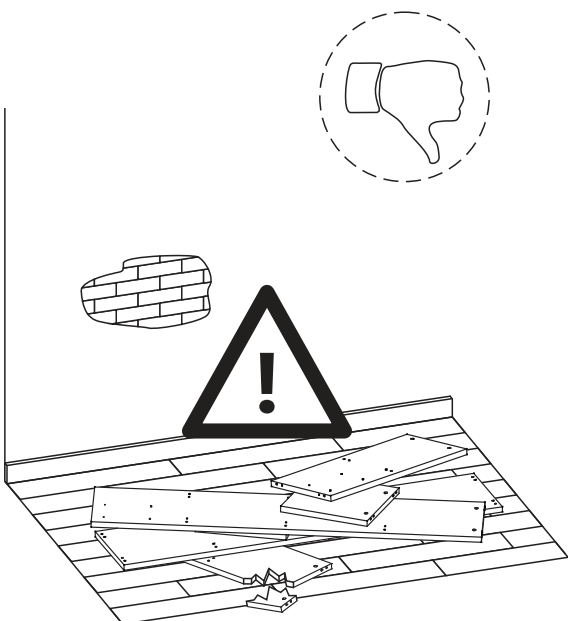
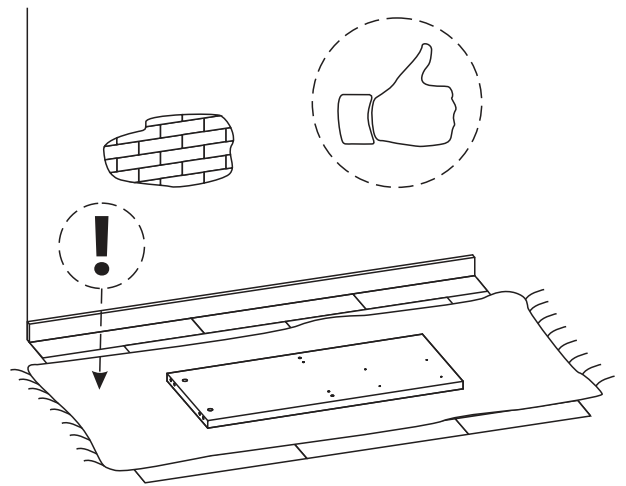
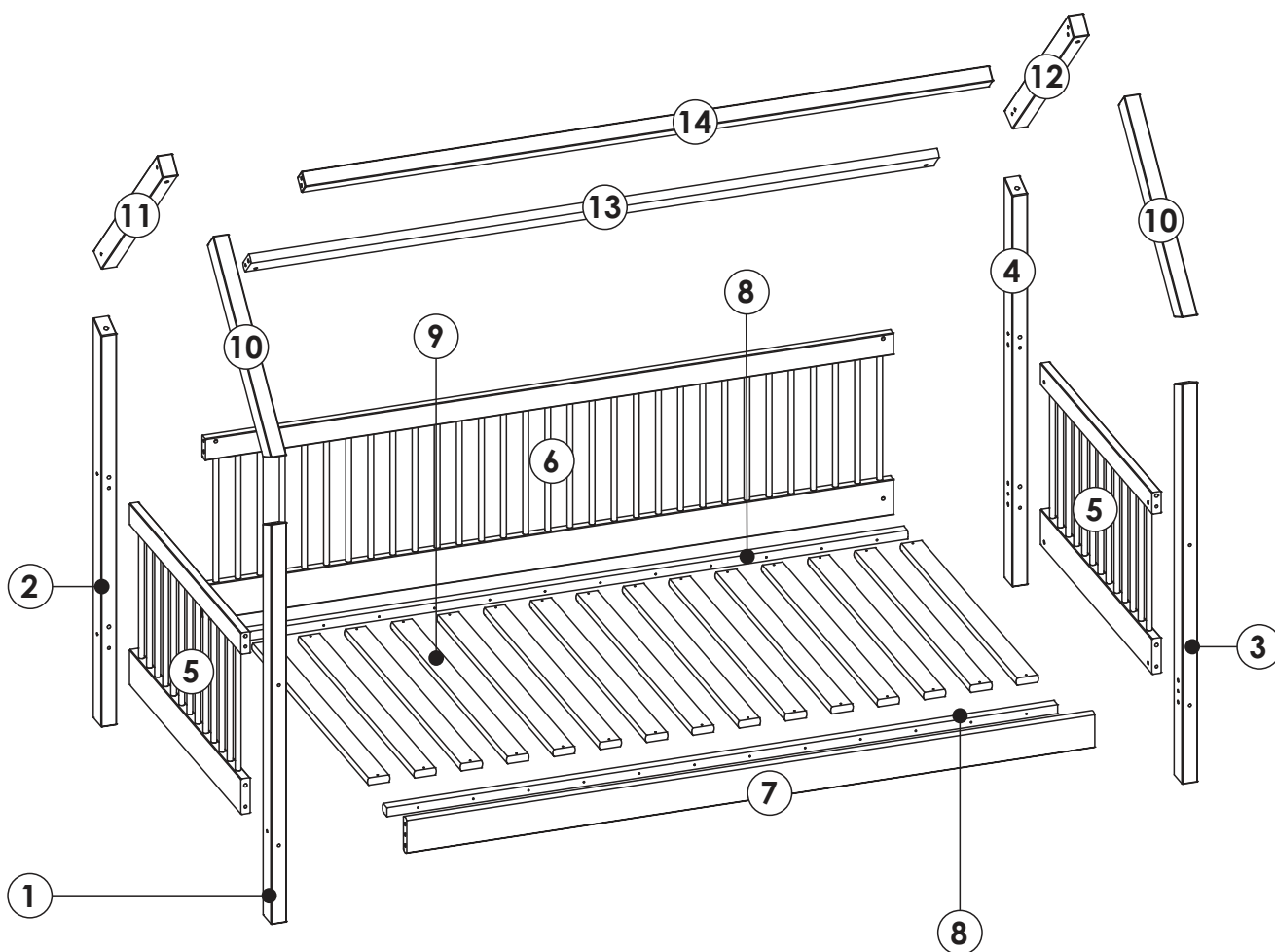
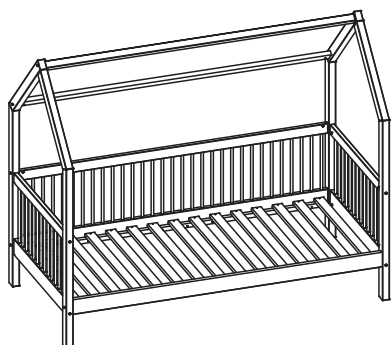


KLAUDIA 0%





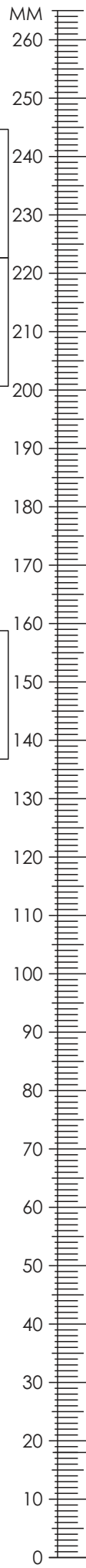
KLAUDIA 0%

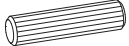


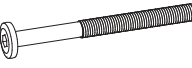


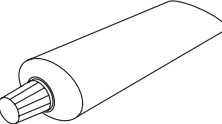


KLAUDIA 0%


NPL1	1200	45	65	x1	ONPL_01920
NTL2	1200	45	65	x1	ONTL_01810
NPP3	1200	45	65	x1	ONPP_01930
NTP4	1200	45	65	x1	ONTP_01820
PBP5	585, 685, 785, 885, 985	545	27	x2	DPOS_02390 DPTOS_02400 OS_02410
PDP6	1190, 1390,1590, 1690,1790, 1890, 1990	545	27	x1	DPOS_02390 OS_02410 DPDCOS_02430
DN7	1190, 1390,1590, 1690,1790, 1890, 1990	107	27	x1	DN_00110
LS8	1140, 1340,1540, 1640,1740, 1840, 1940	35	27	x2	LS_00160
DBK10	653	45	65	x2	DDSBK_01890
DBDL11	718	45	65	x1	DDSDL_01900
DBDP12	718	45	65	x1	DDSDP_01910
DW13	1190, 1390,1590, 1690,1790, 1890, 1990	75	27	x1	DW75_00930
DDP14	1190, 1390,1590, 1690,1790, 1890, 1990	45	45	x1	DDP_01310


KLAUDIA 0%



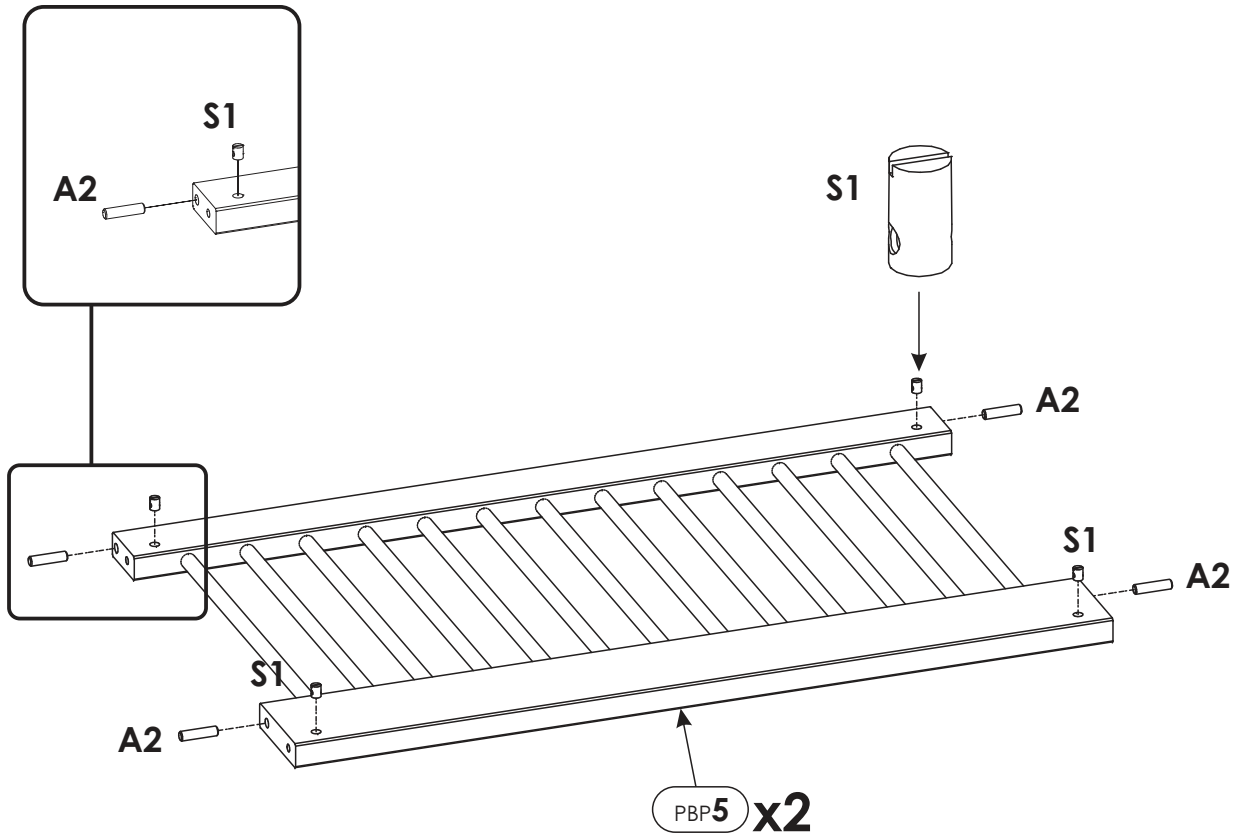
<p>A2 akc_0002</p>  <p>10 x 40 mm</p> <p style="text-align: right;">x22</p>	<p>A3 akc_0003</p>  <p>12 x 60 mm</p> <p style="text-align: right;">x6</p>	<p>M akc_0005</p>  <p style="text-align: right;">x1</p>
<p>N1 akc_0006</p>  <p>6 x 80 mm</p> <p style="text-align: right;">x10</p>	<p>N2 akc_0007</p>  <p>6 x 100 mm</p> <p style="text-align: right;">x8</p>	<p>S1 akc_0008</p>  <p>10 x 16 mm</p> <p style="text-align: right;">x18</p>
<p>S2 akc_0018</p>  <p style="text-align: right;">x1</p>		

----- **OPTION** -----

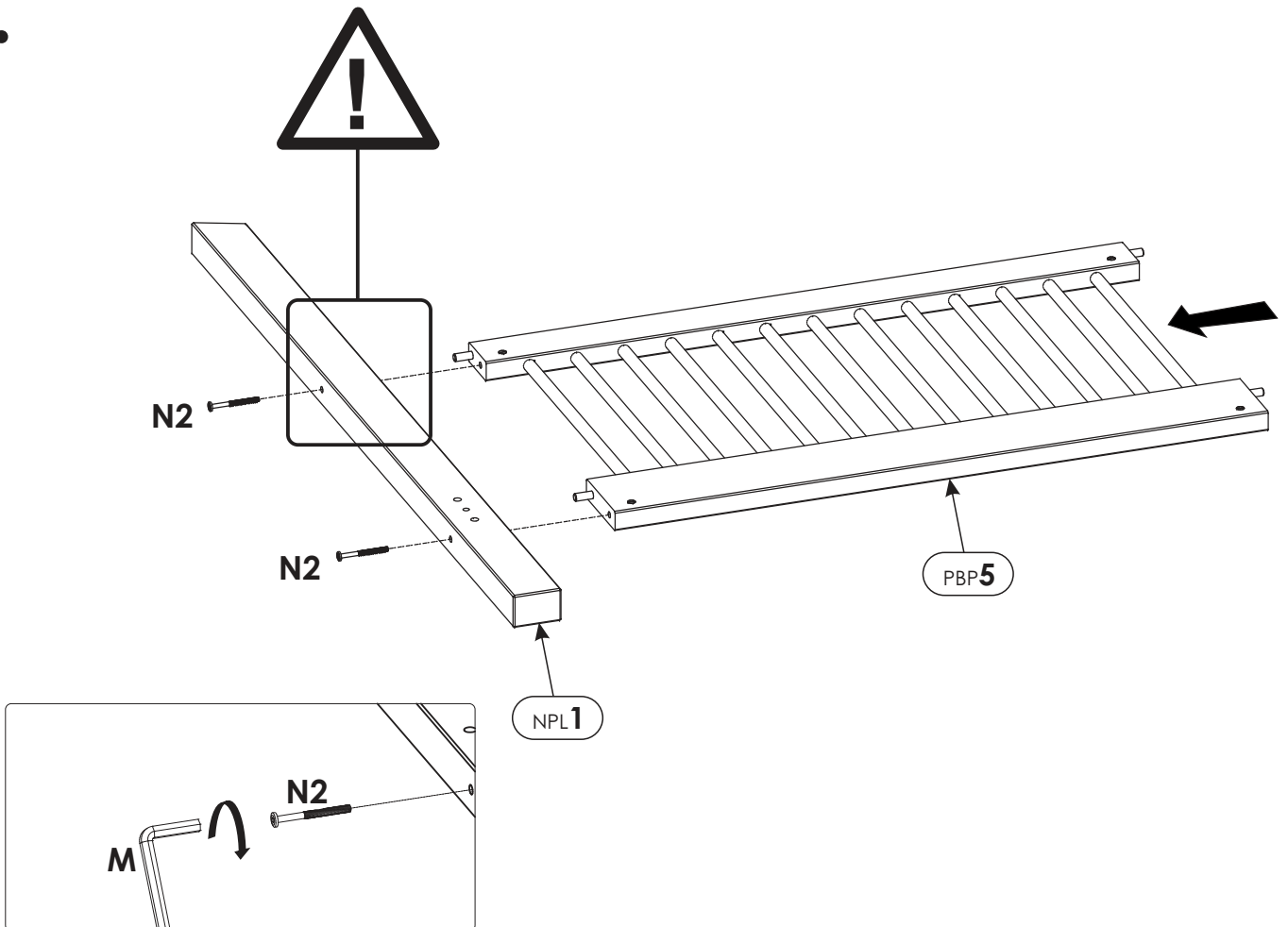
<p>W1 akc_0009</p>  <p>3,5 x 40 mm</p> <p style="text-align: right;">18 < x < 30</p>
--

<p>W3 akc_0011</p>  <p>4 x 50 mm</p> <p style="text-align: right;">20 < x < 24</p>
--

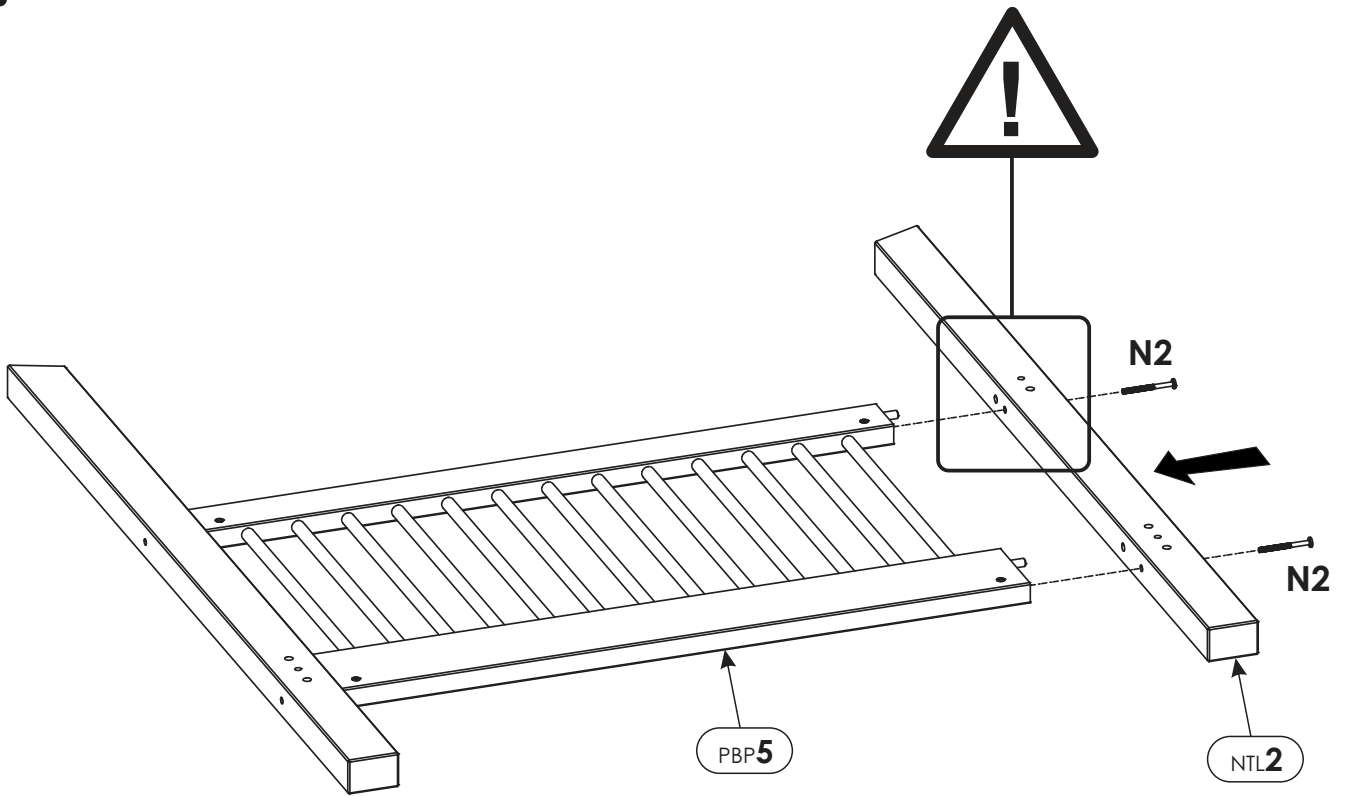
1.



2.

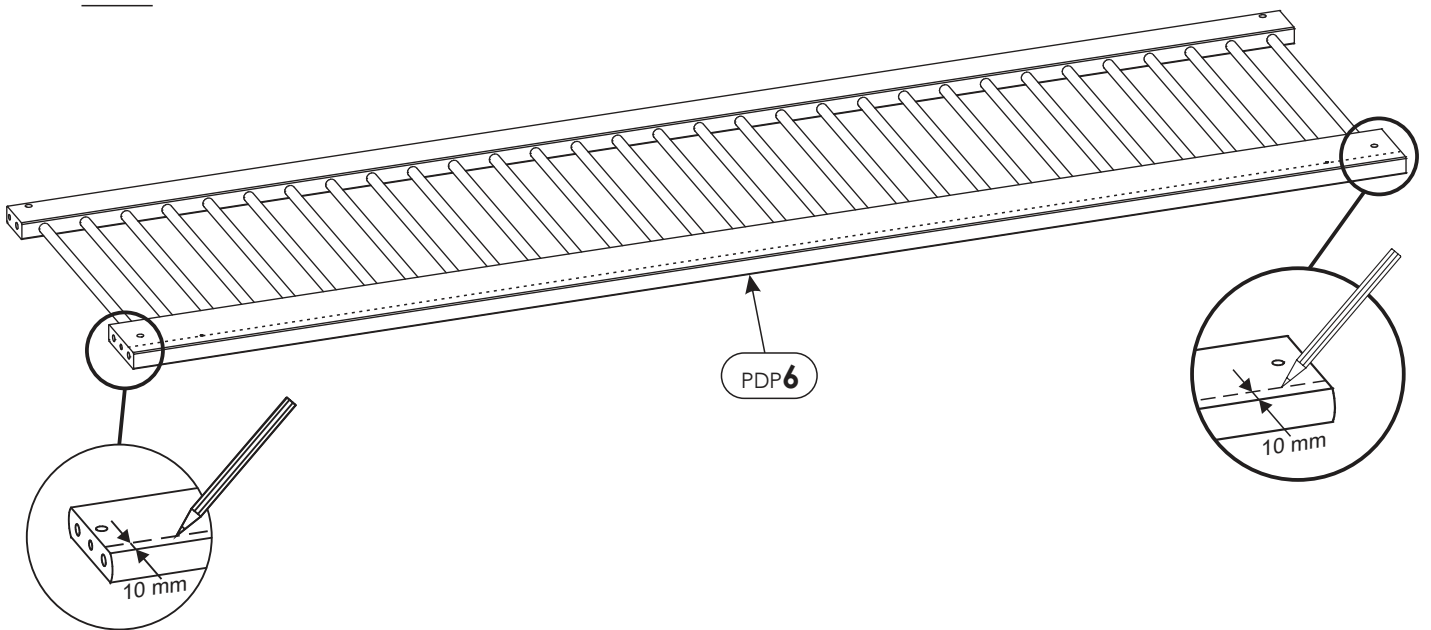


3.

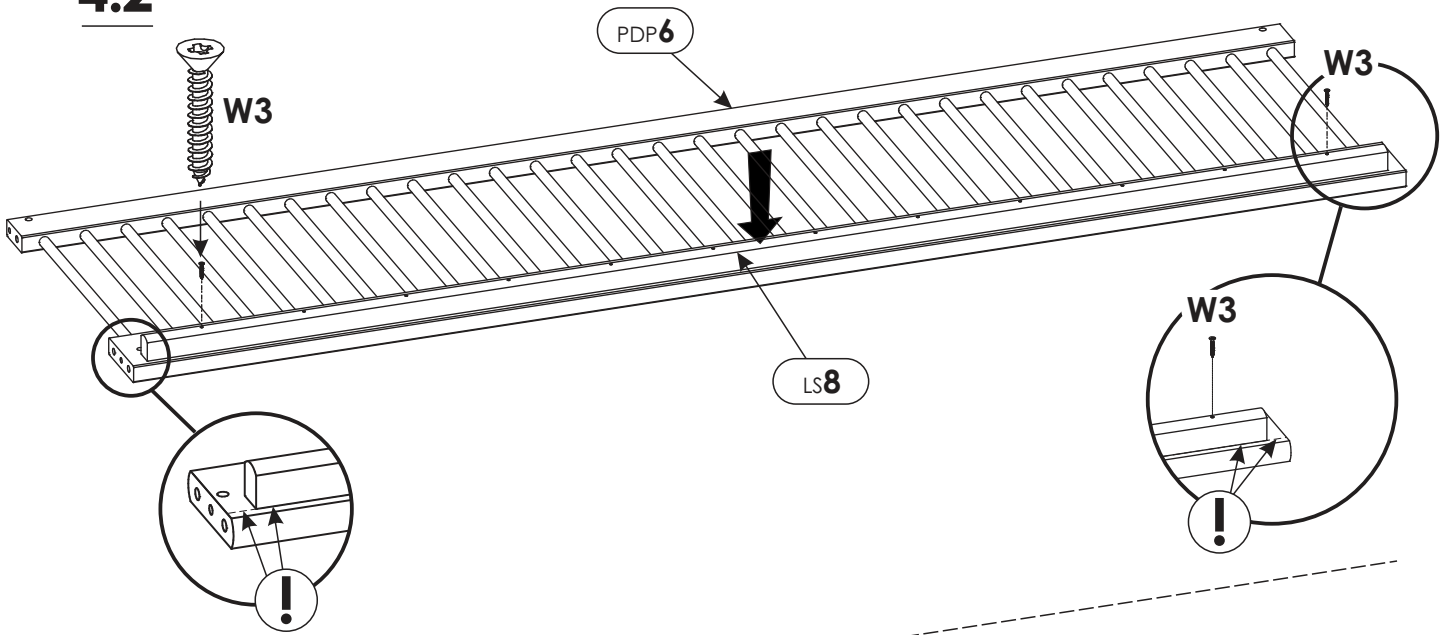


4.

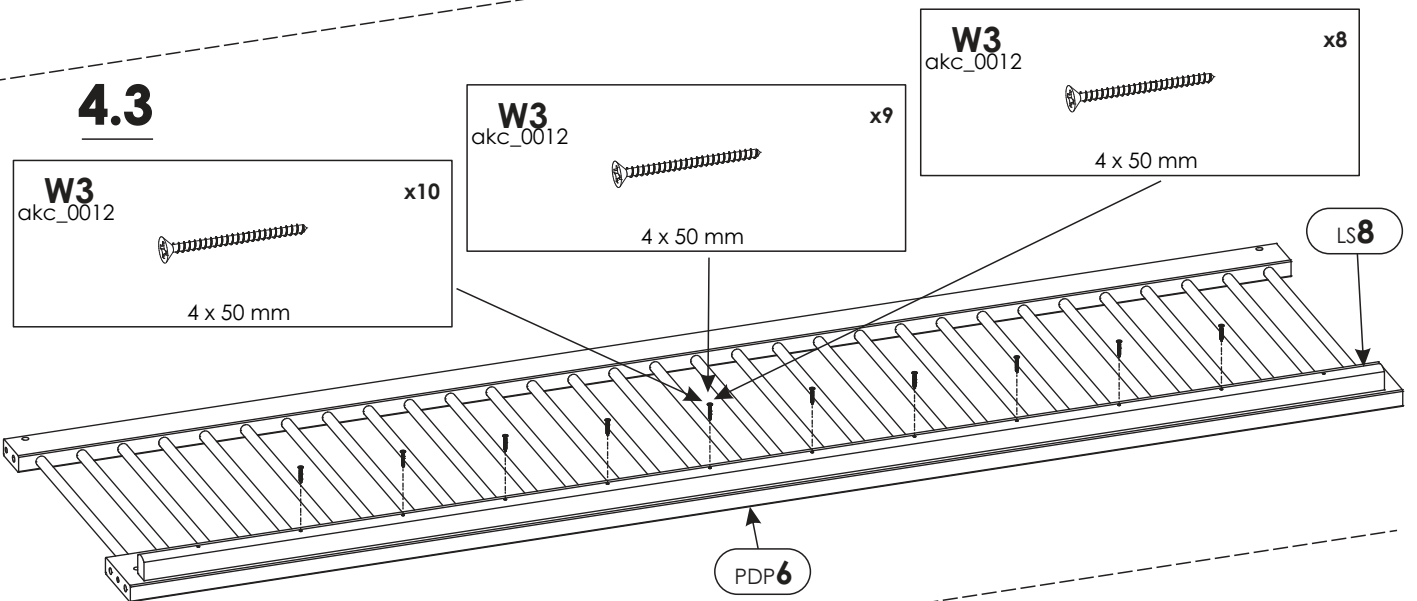
4.1



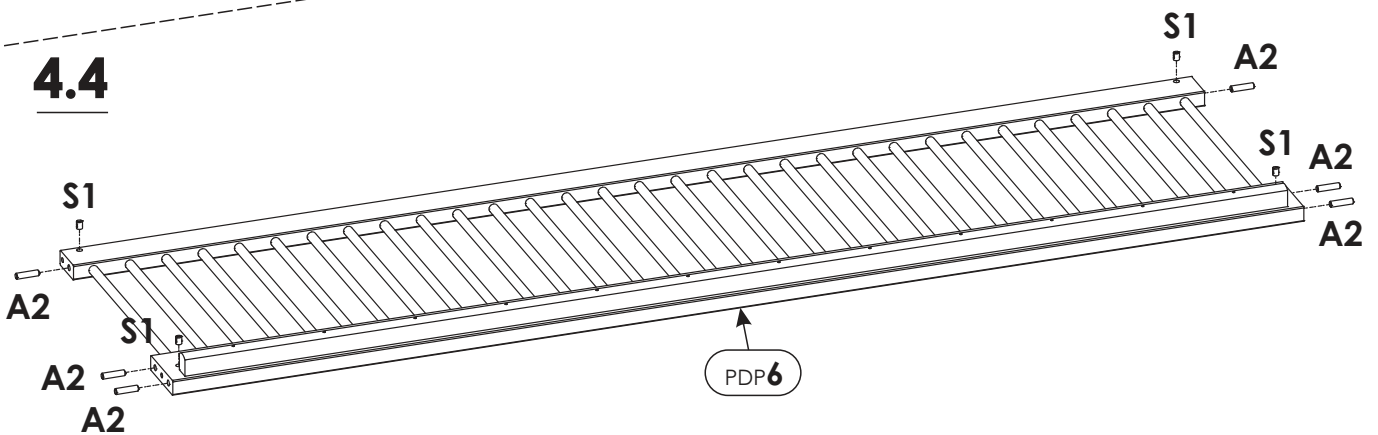
4.2



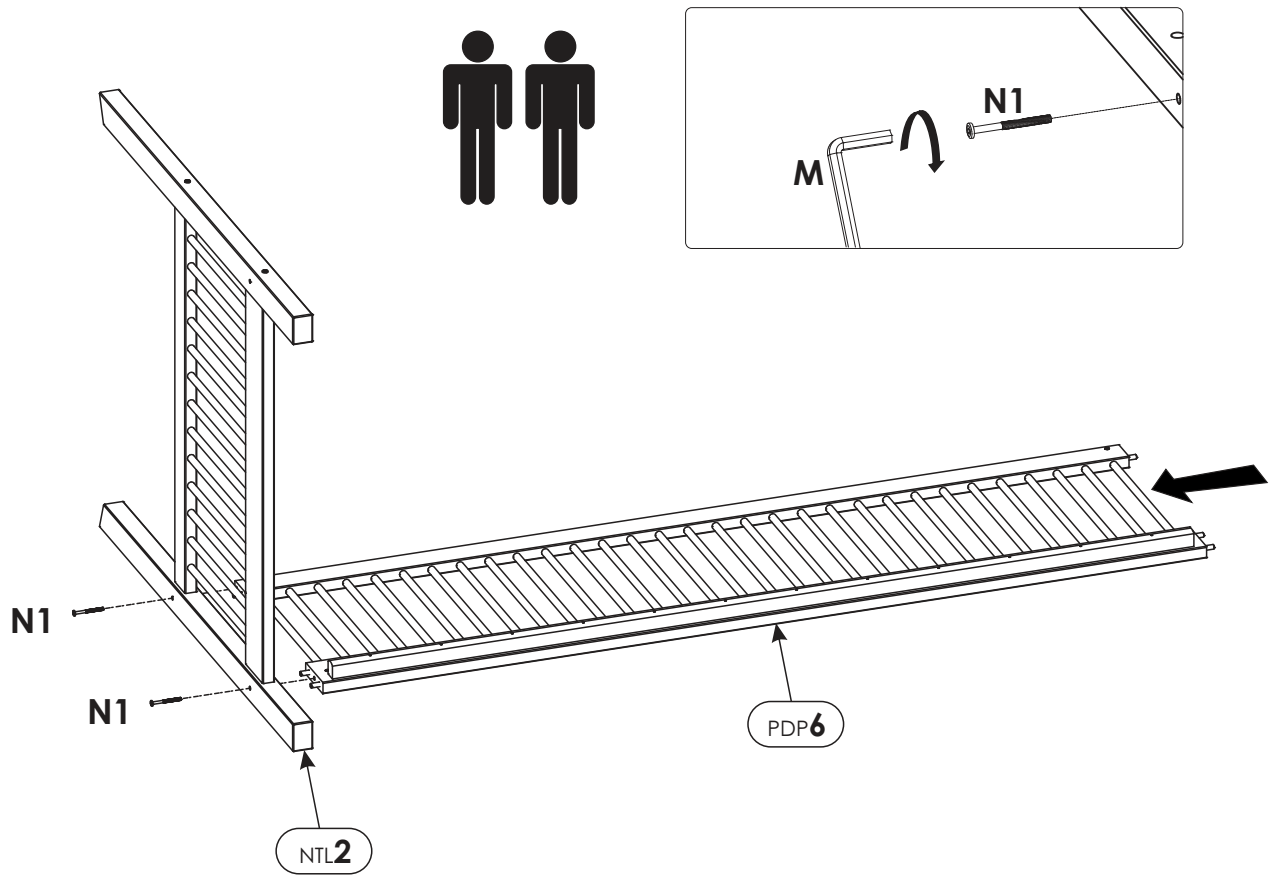
4.3



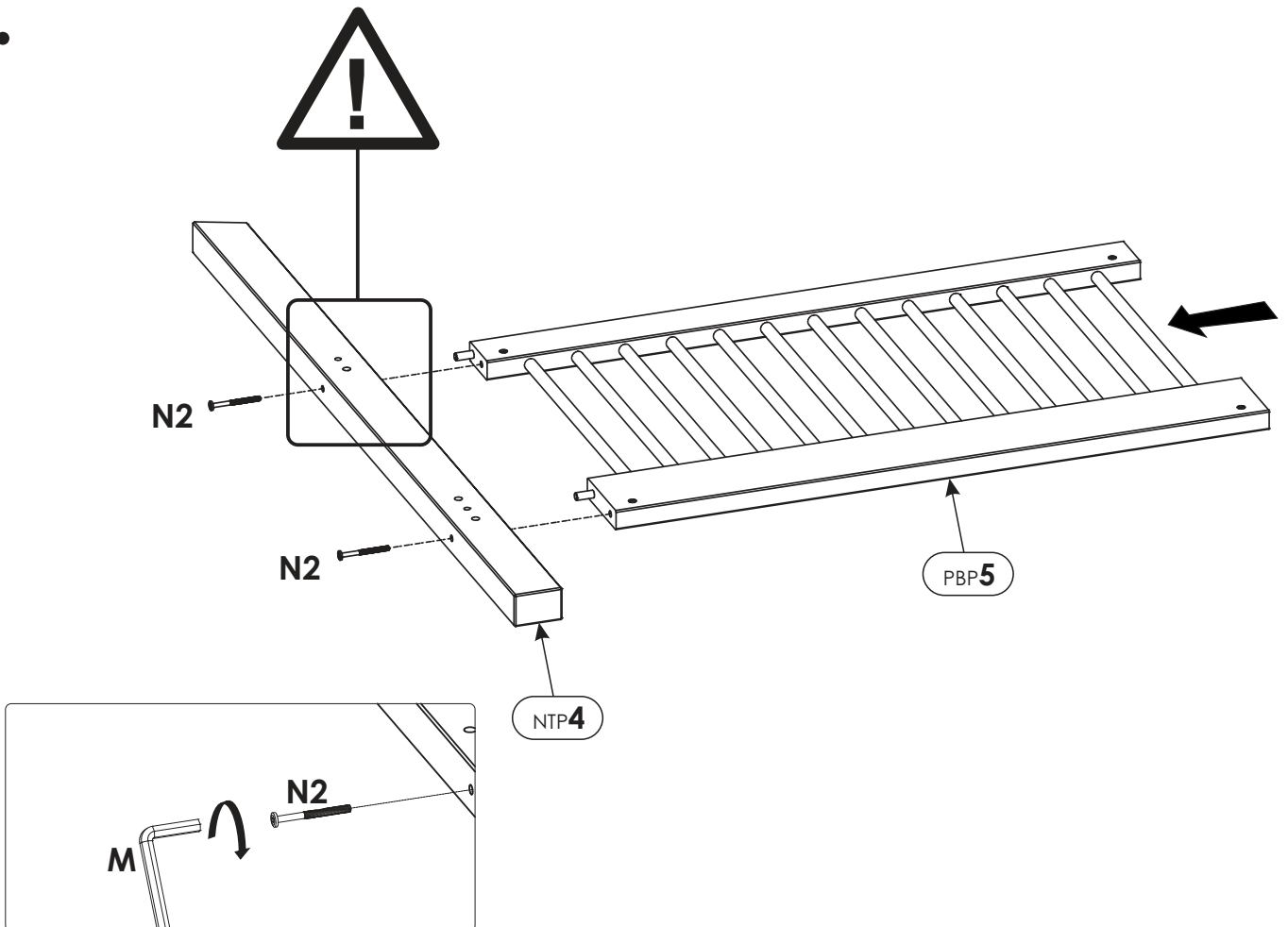
4.4



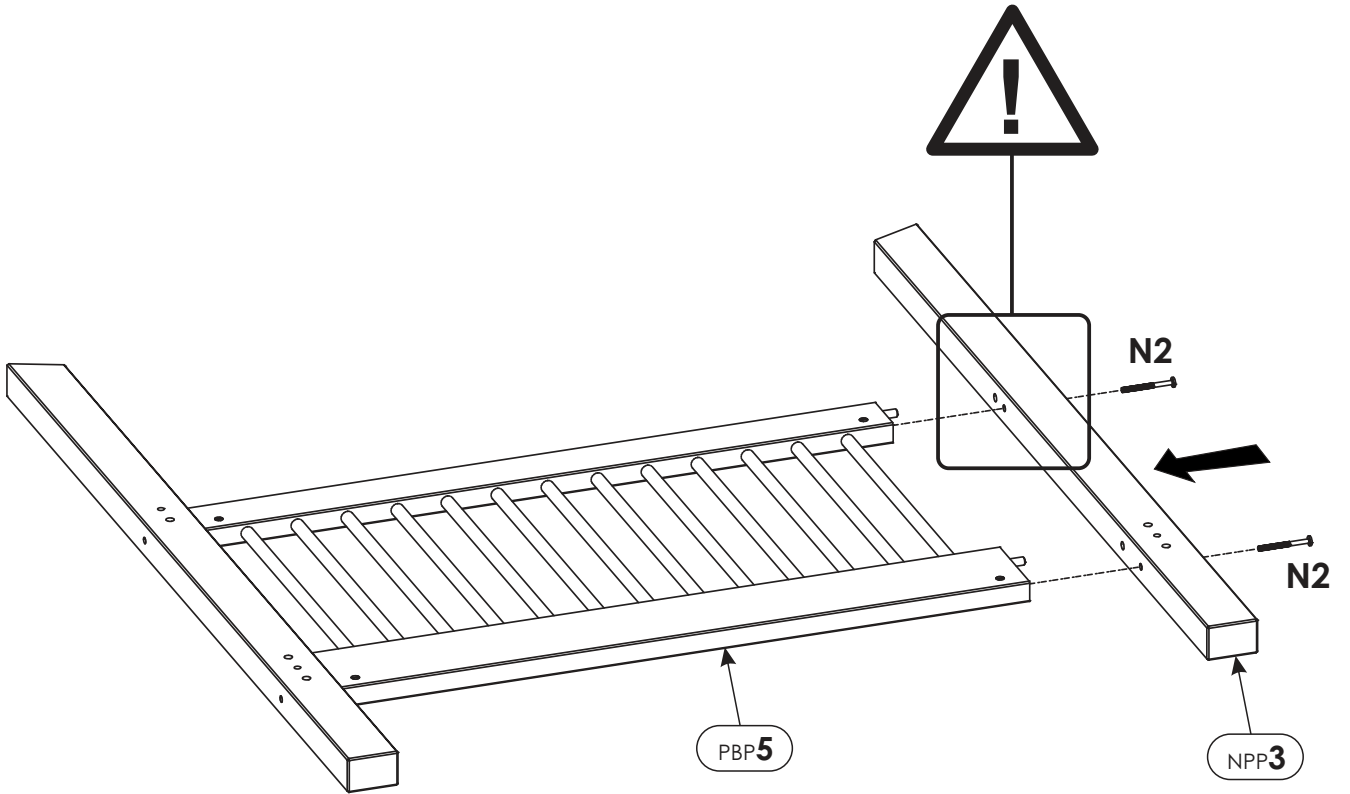
5.



6.

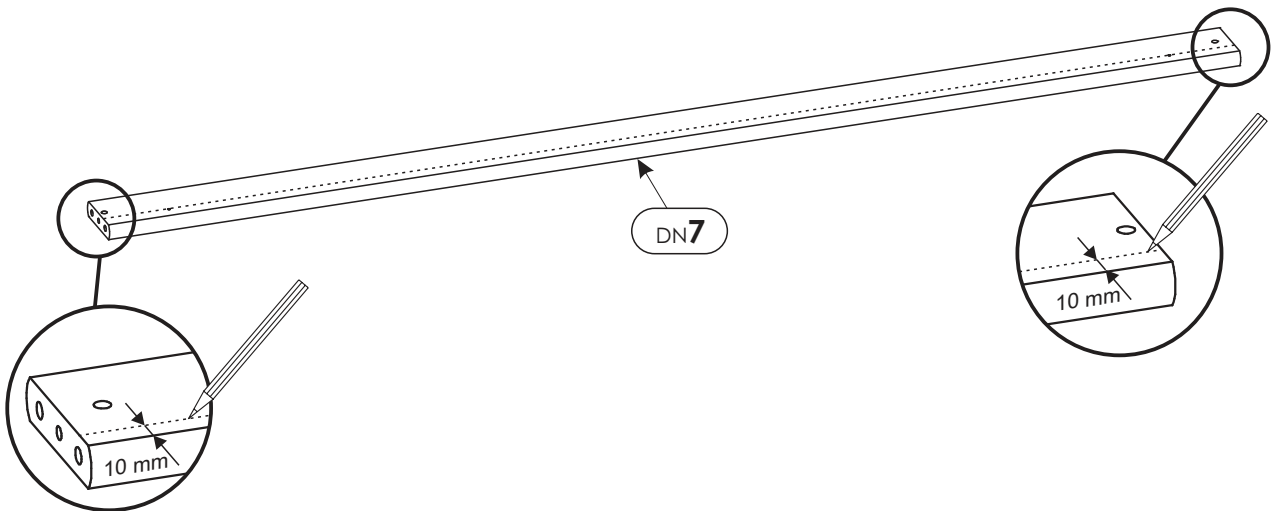


7.

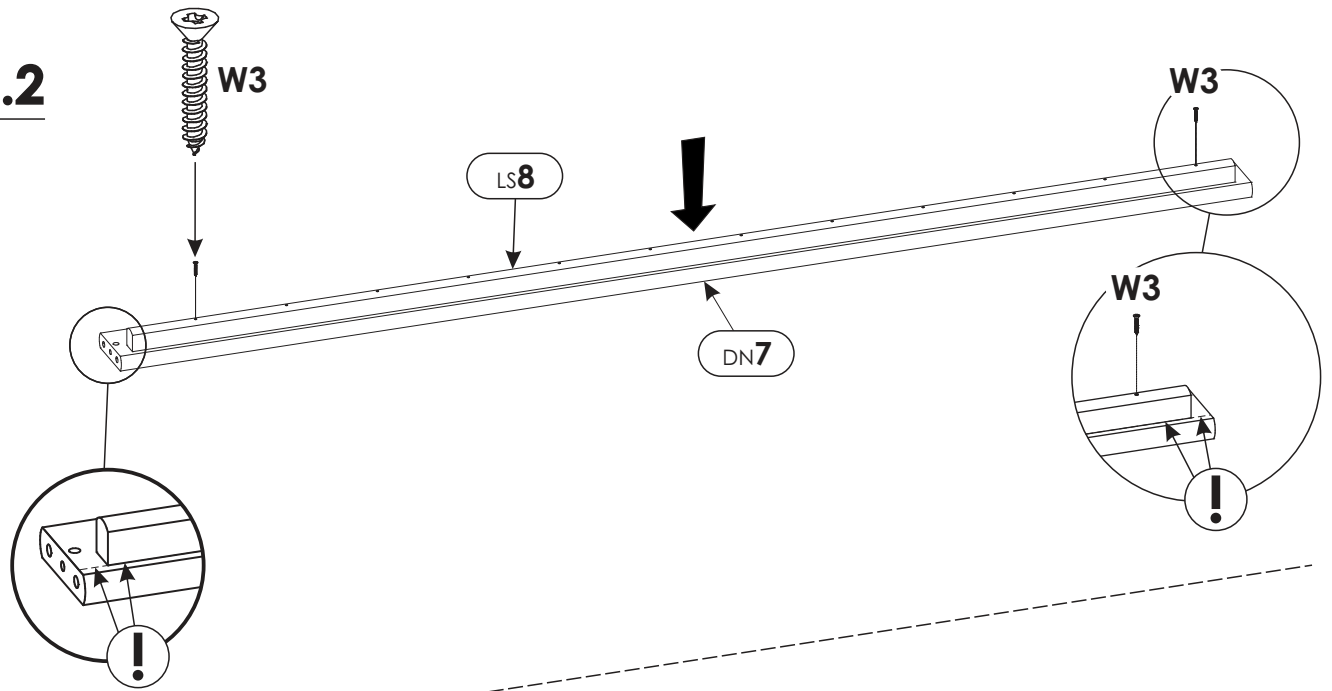


8.

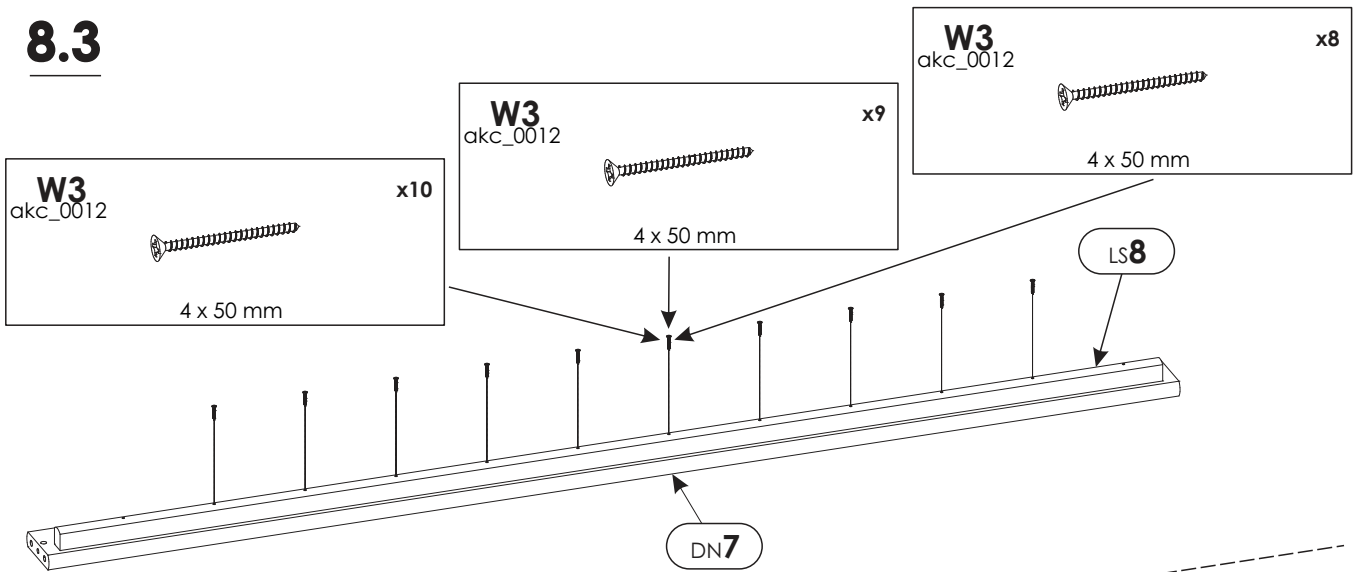
8.1



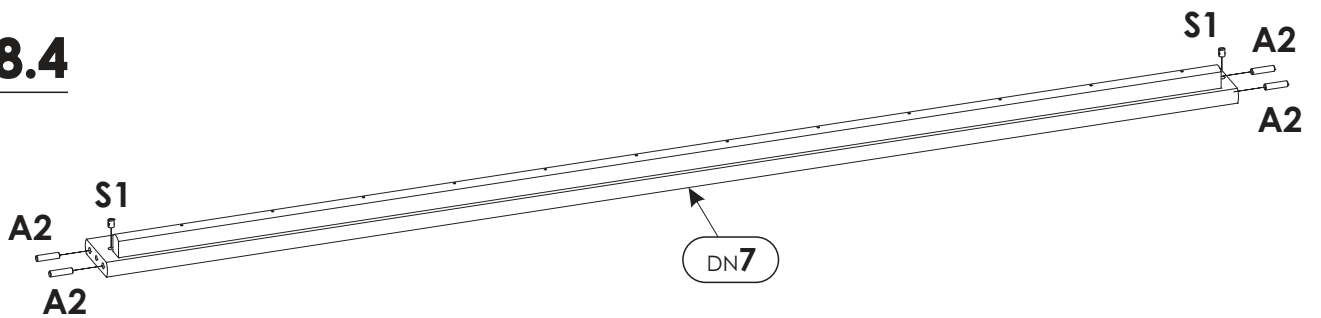
8.2



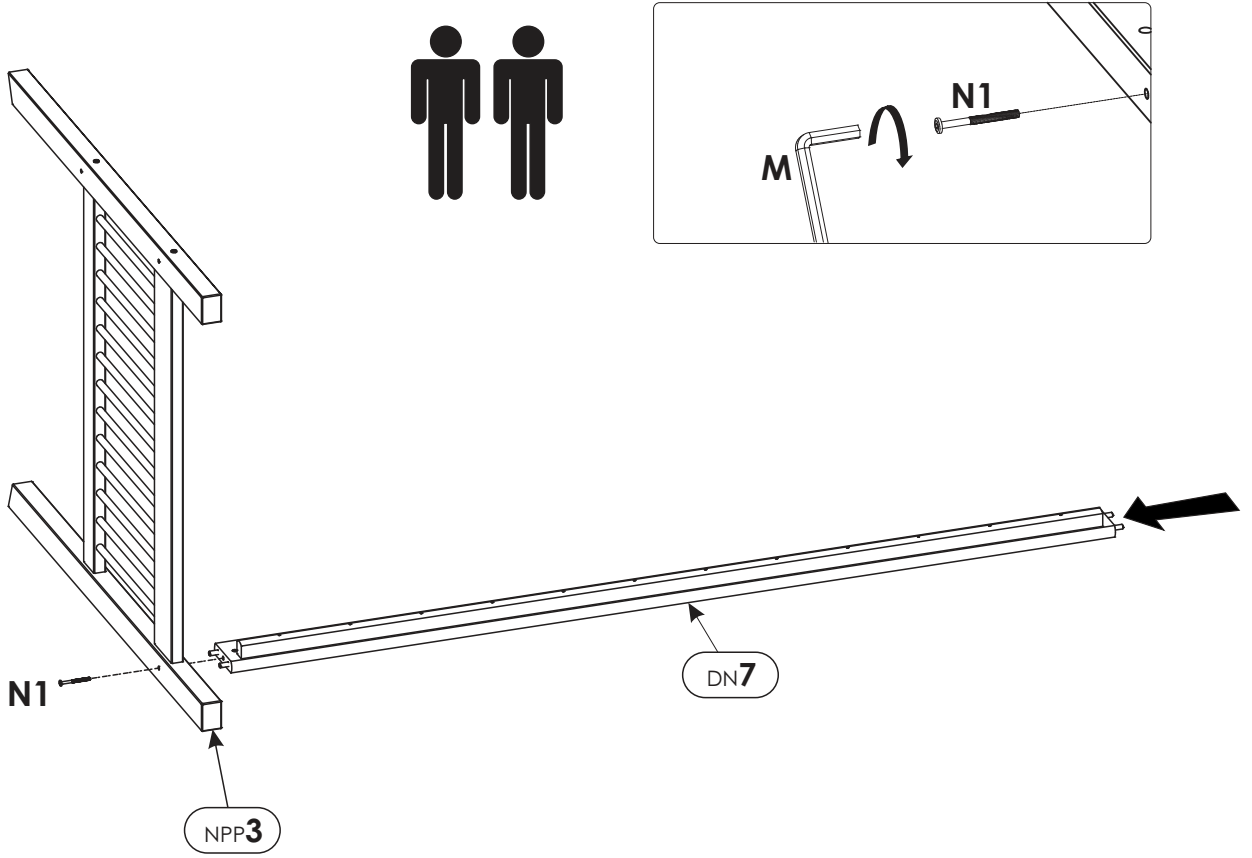
8.3



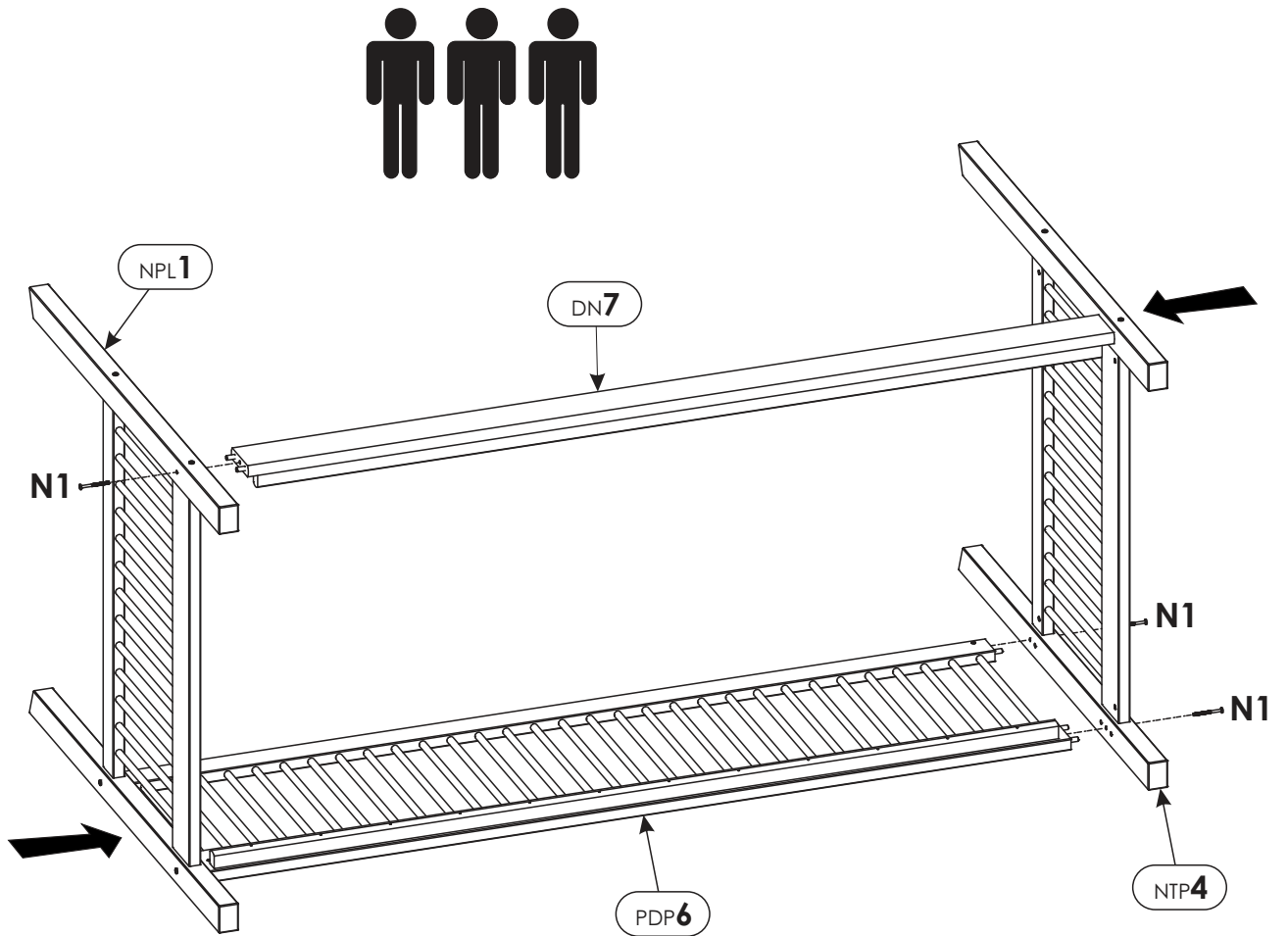
8.4



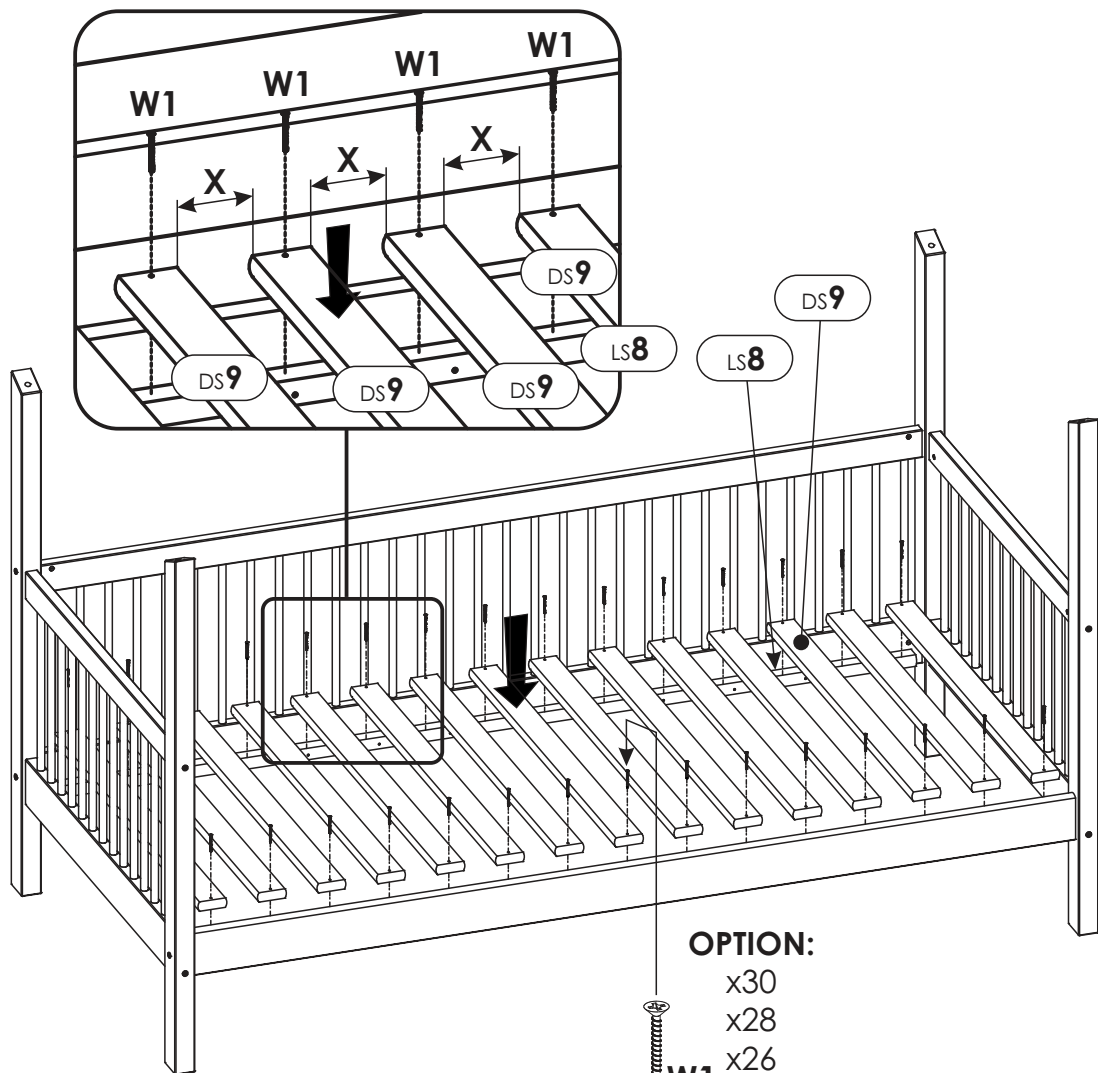
9.



10.



11.

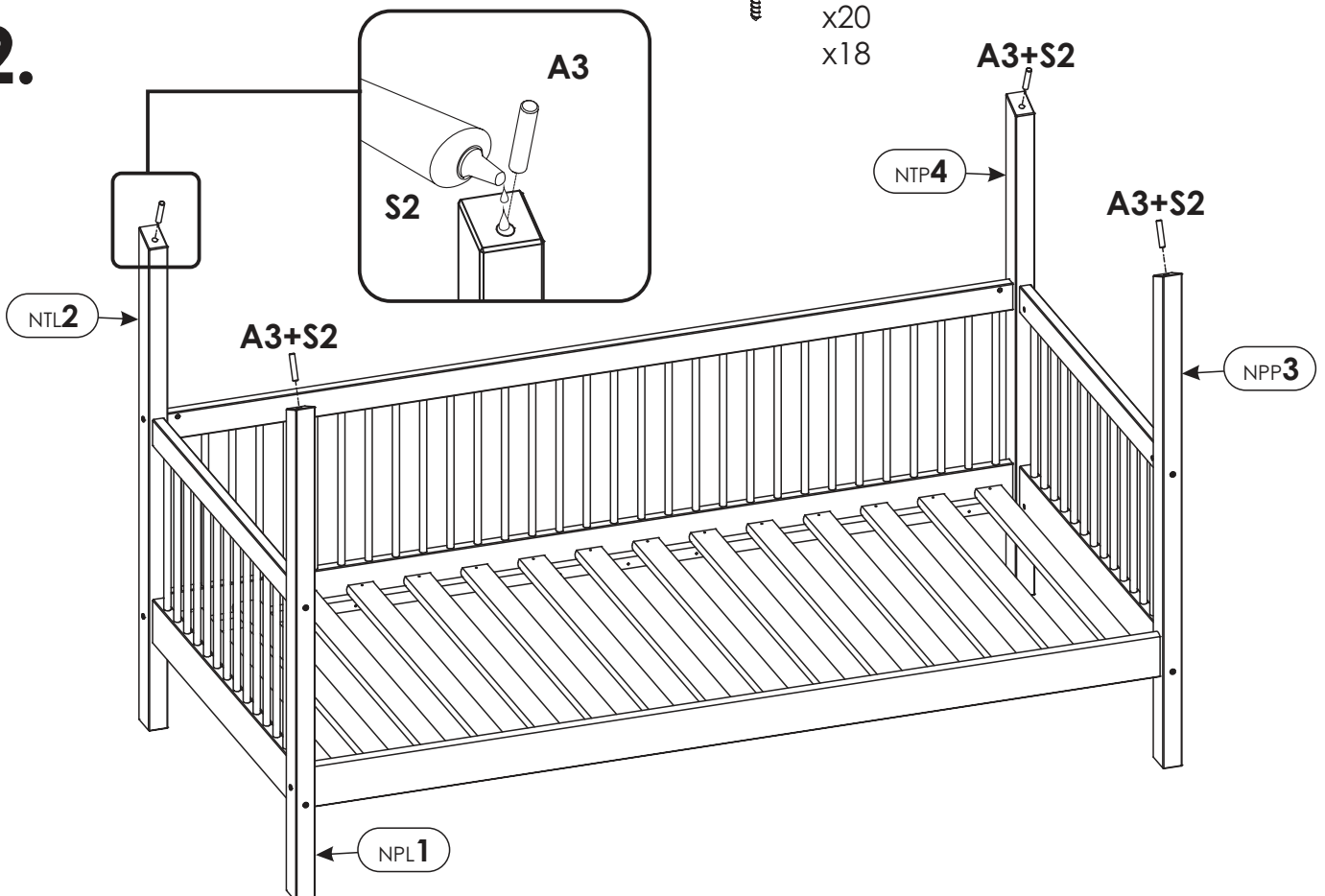


OPTION:

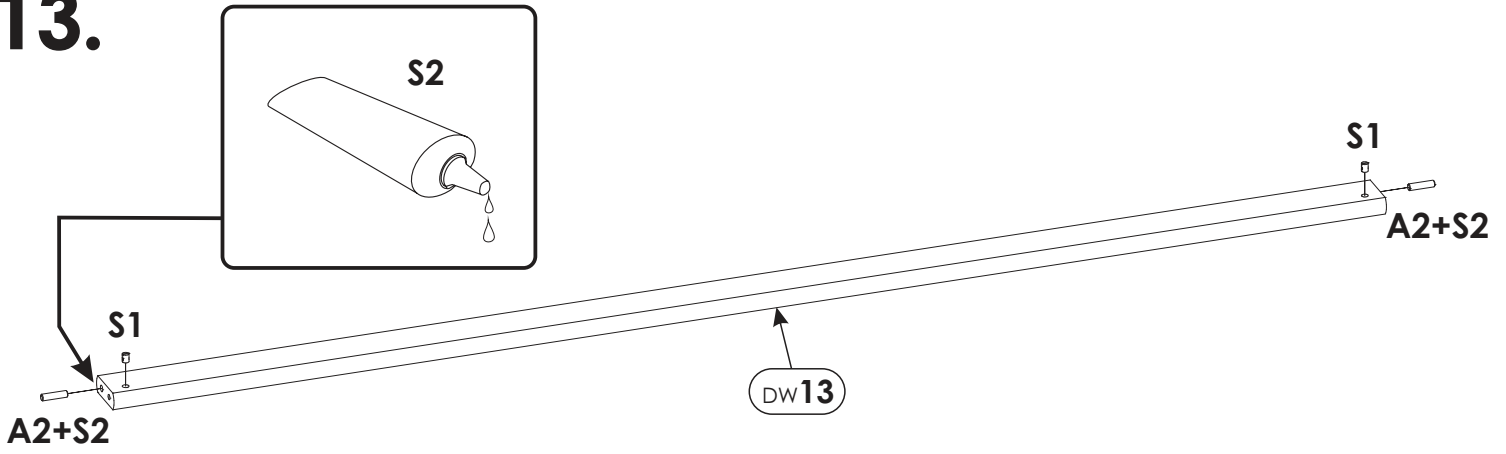
- x30
- x28
- x26
- x24
- x20
- x18

W1

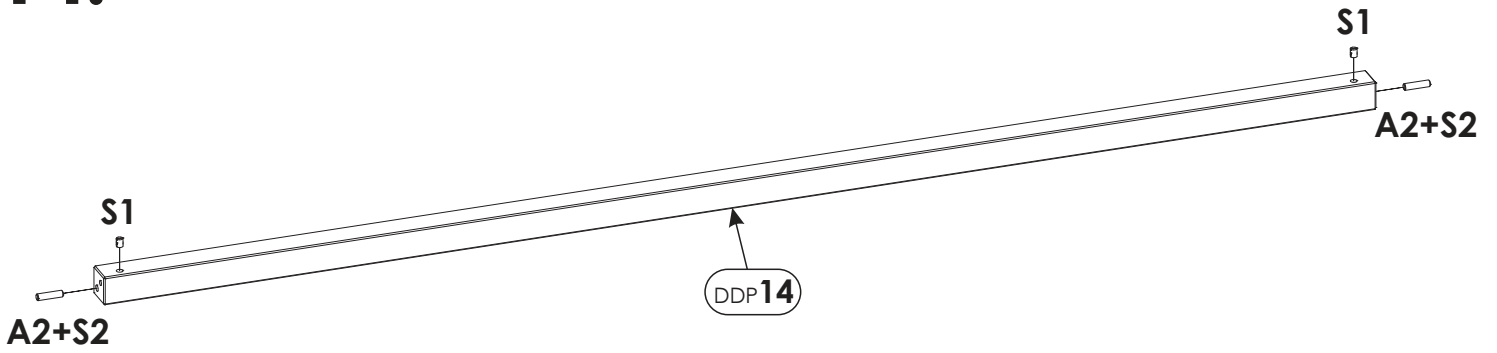
12.



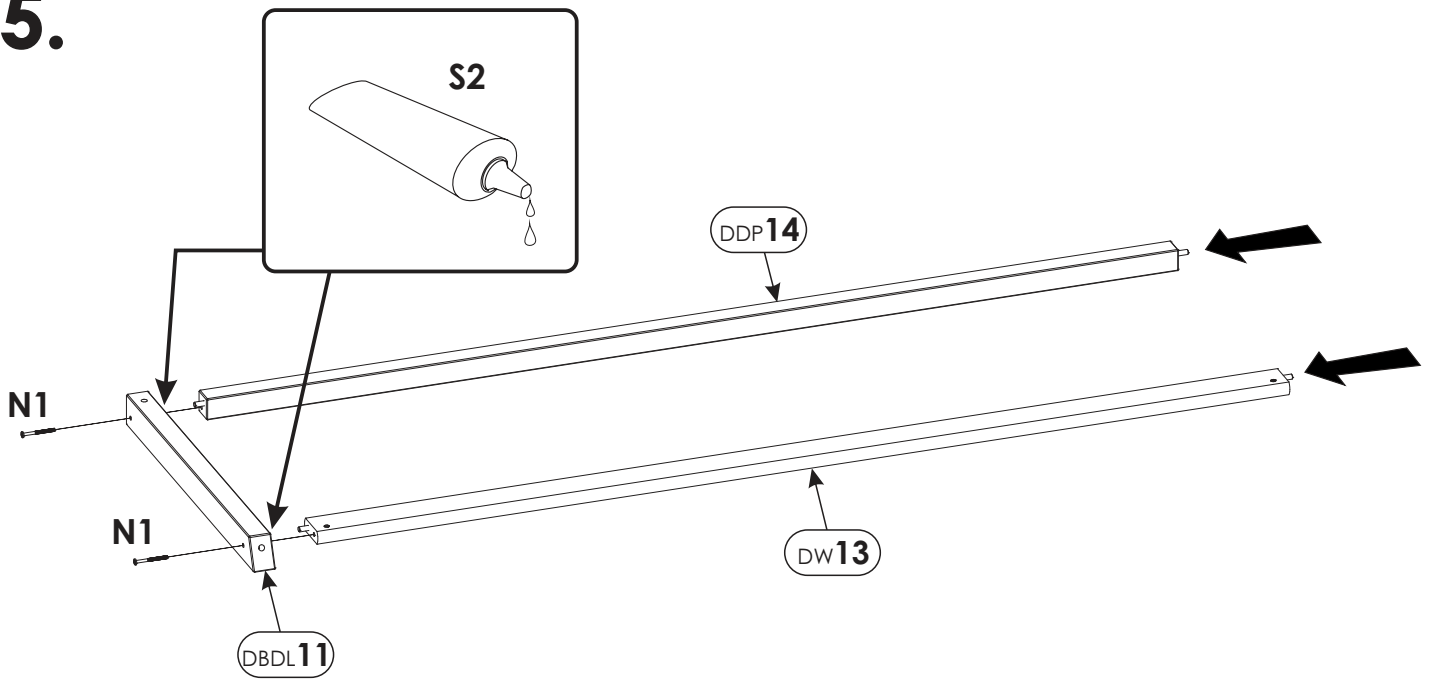
13.



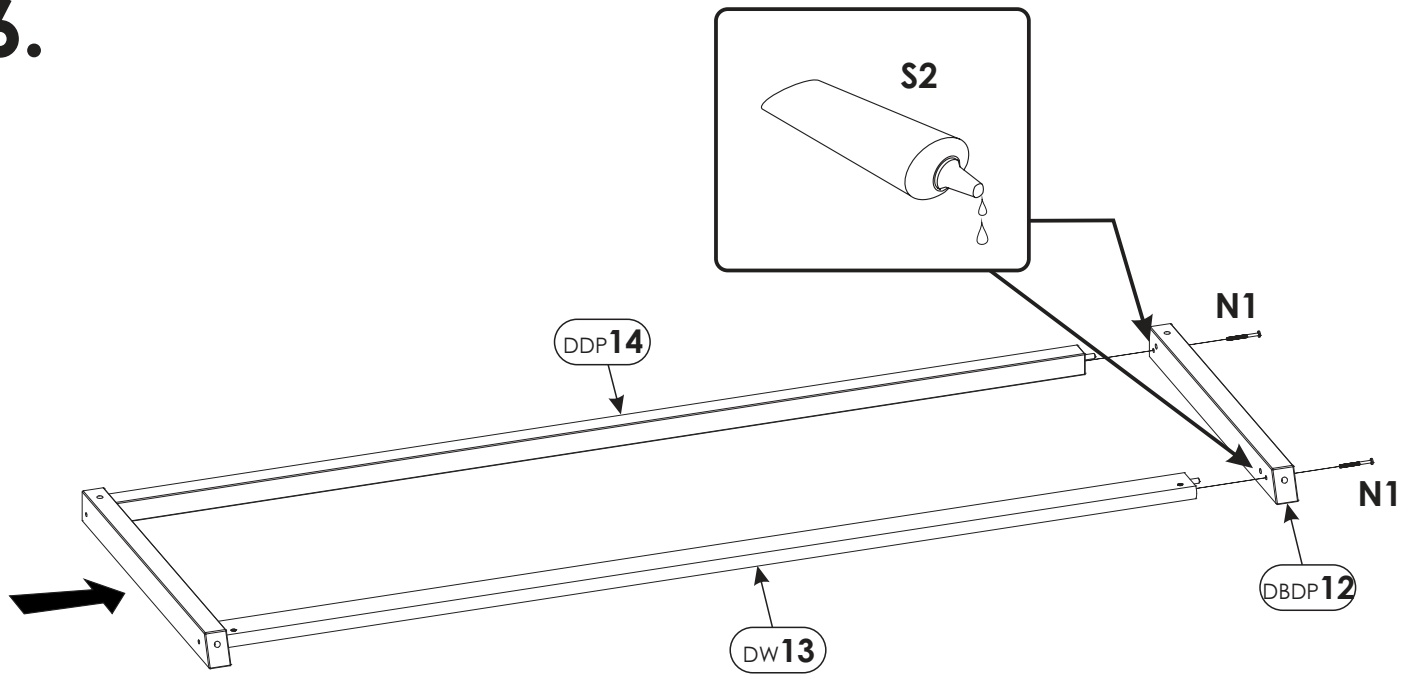
14.



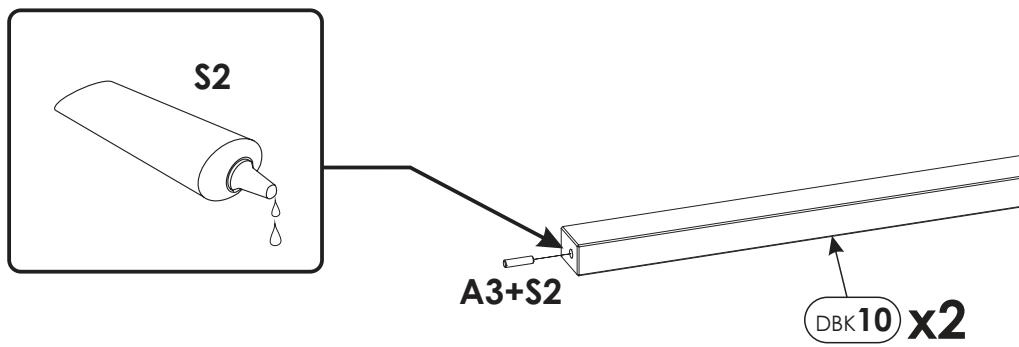
15.



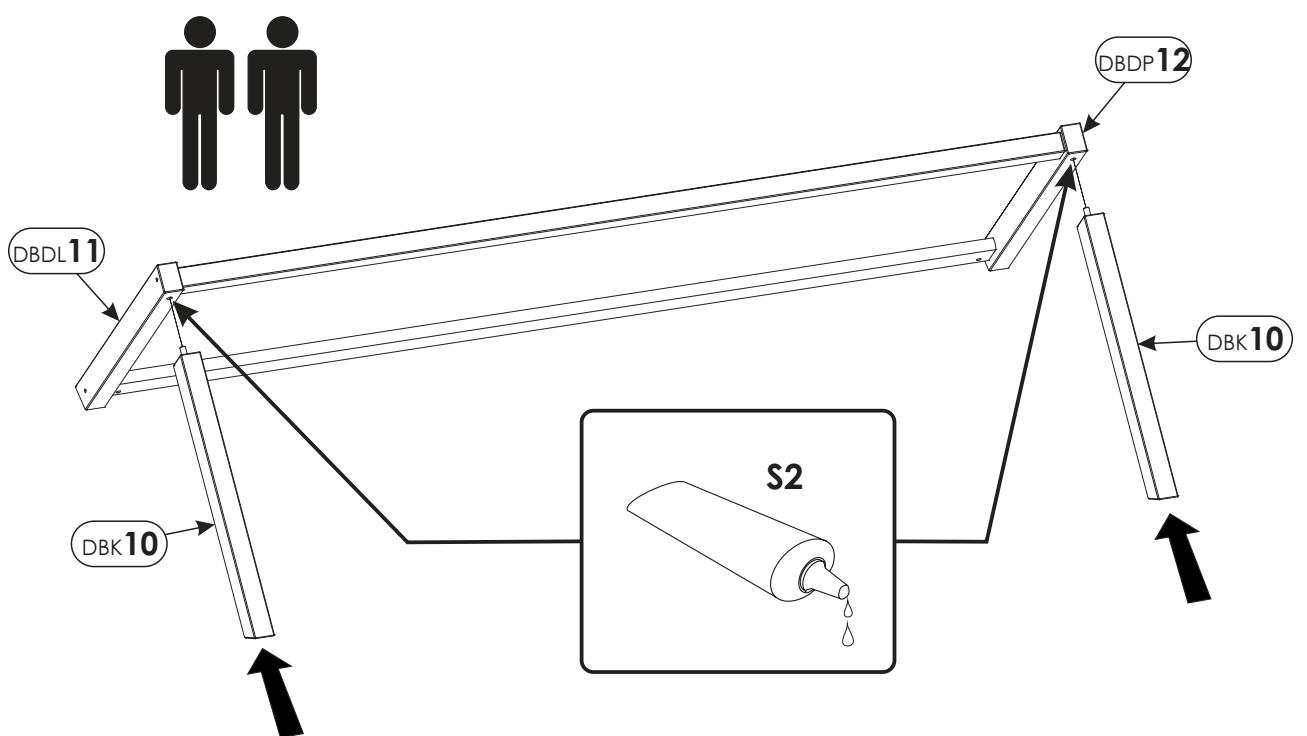
16.



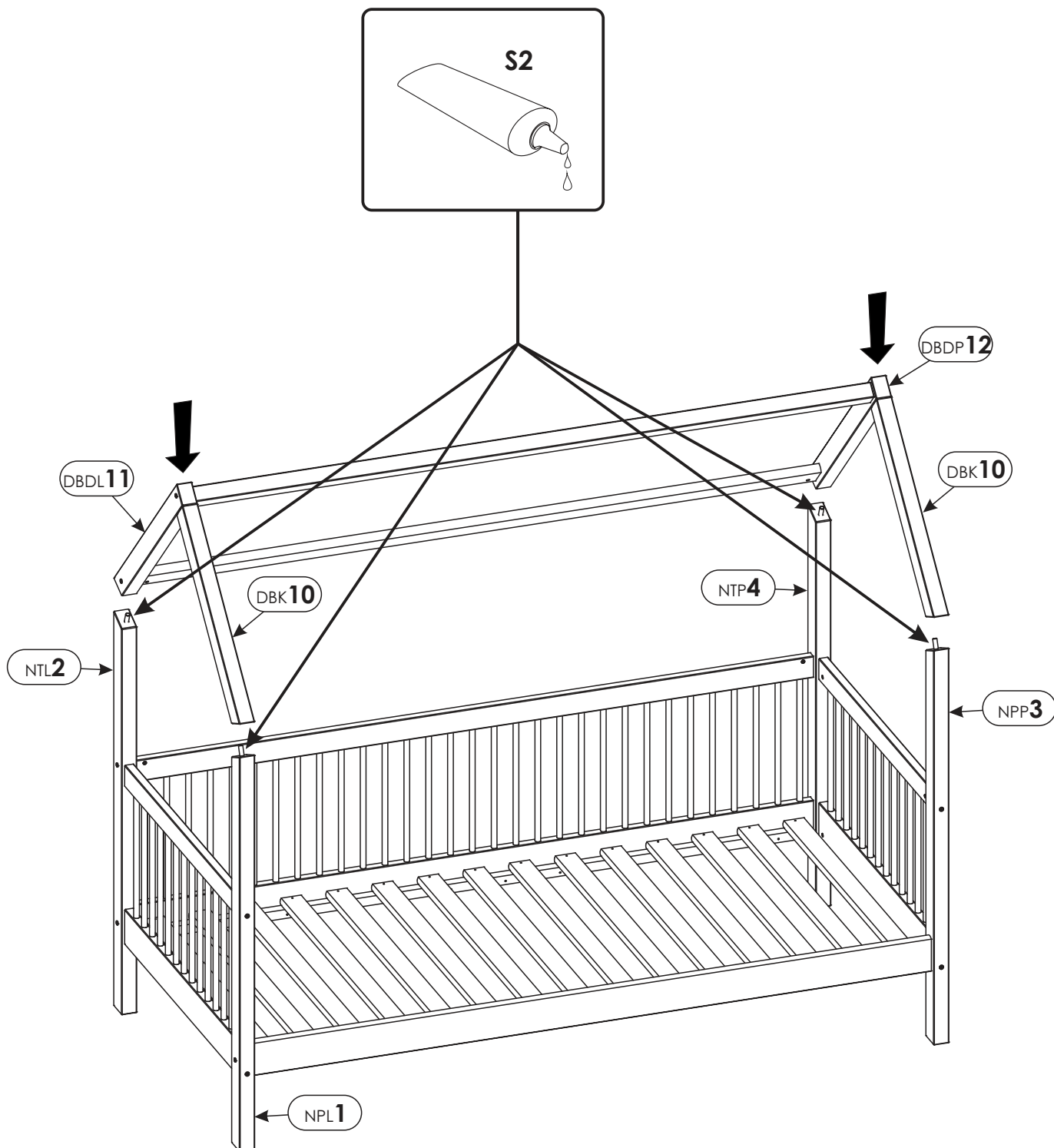
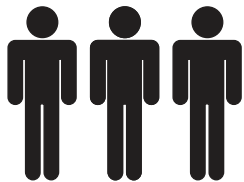
17.



18.



19.



20.

