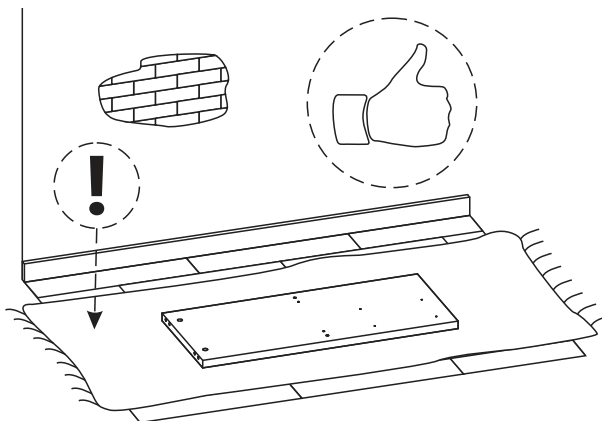
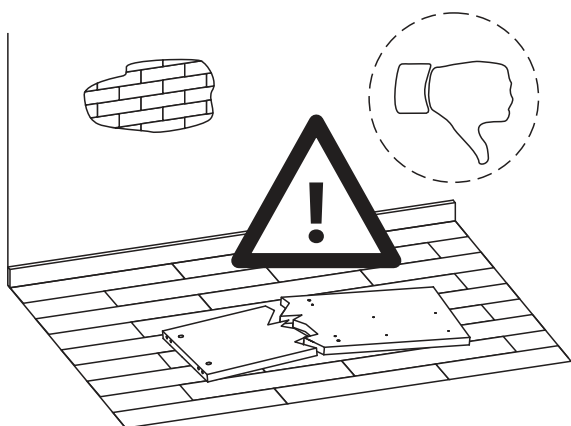
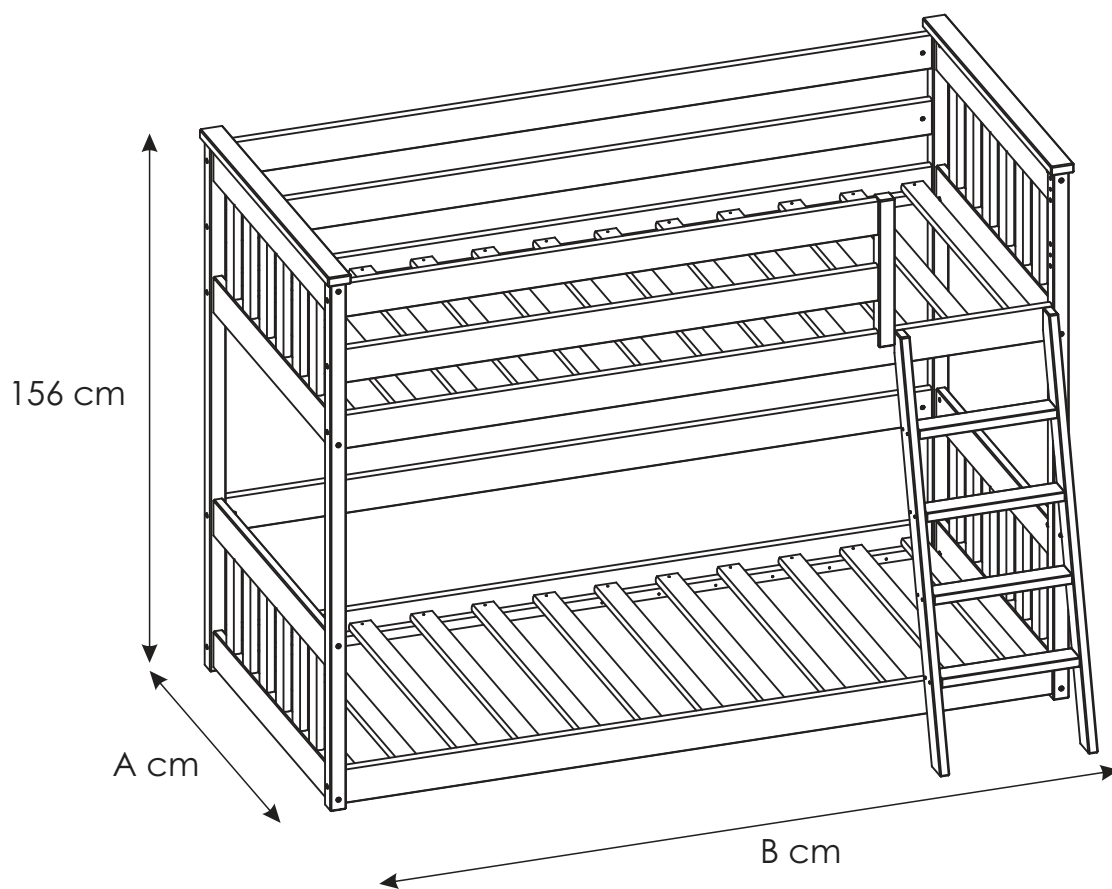
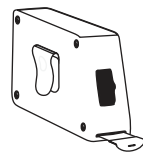
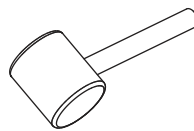
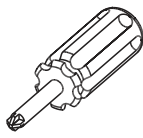
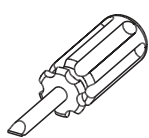
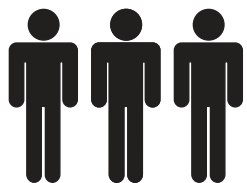
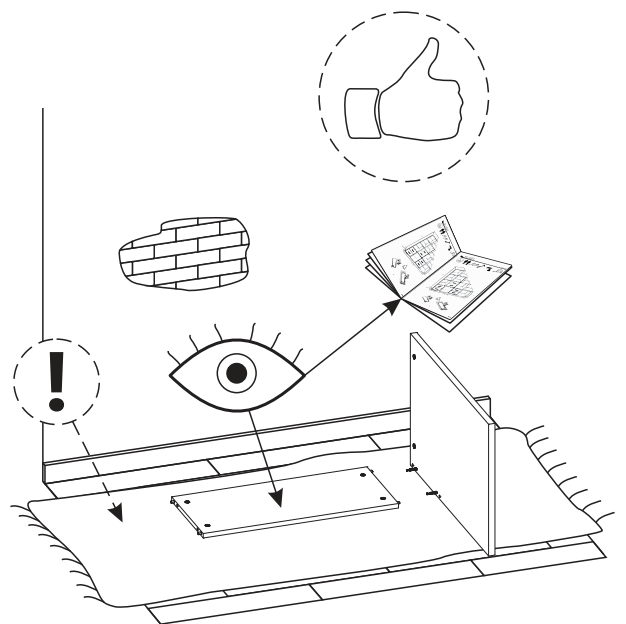
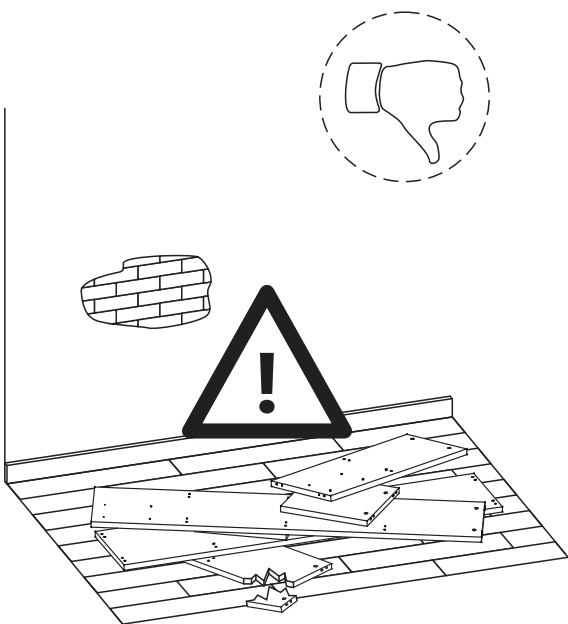
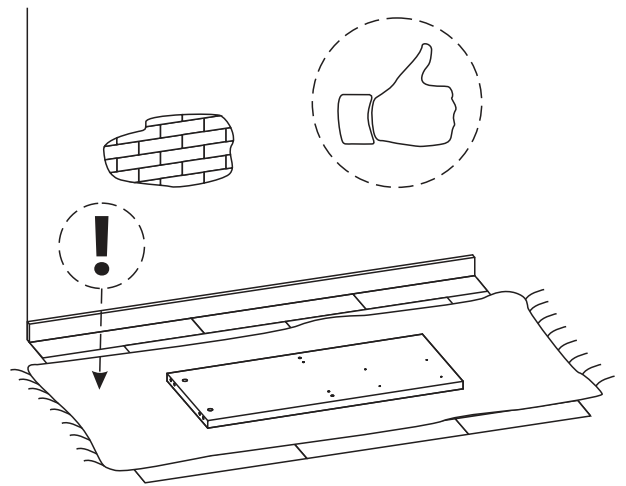
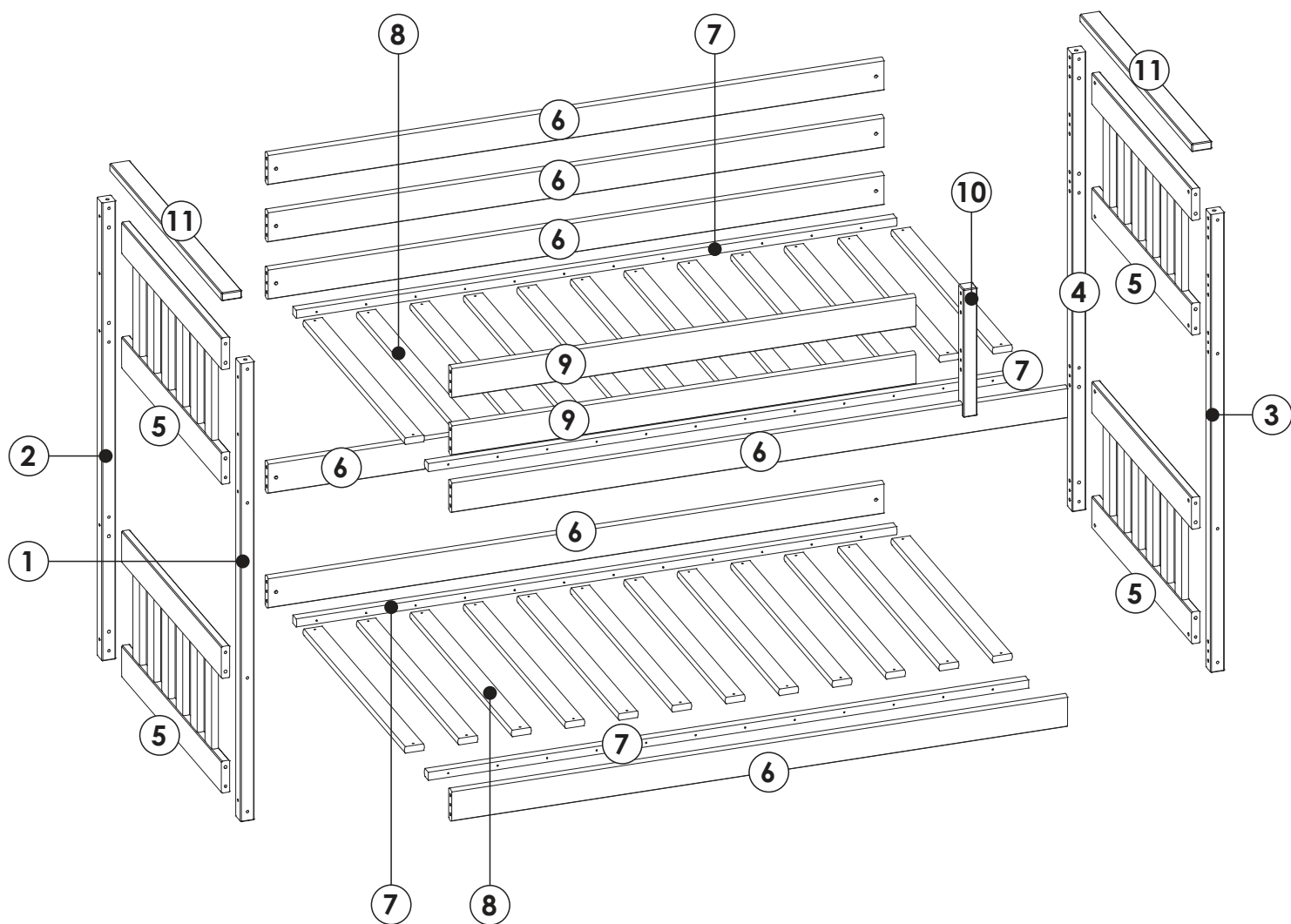
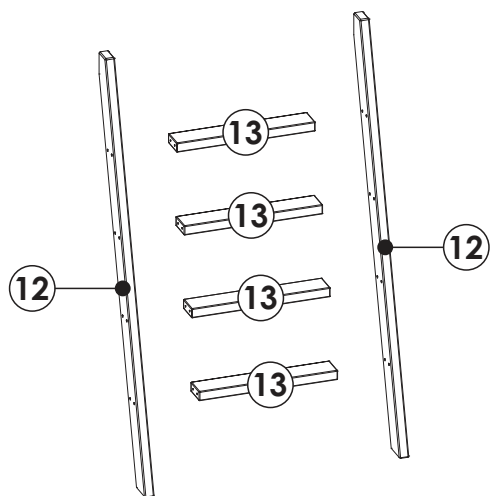
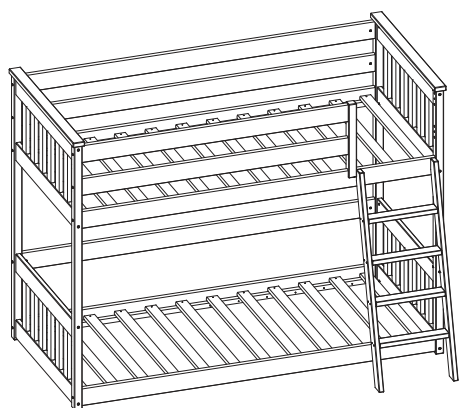


# PAWEŁ





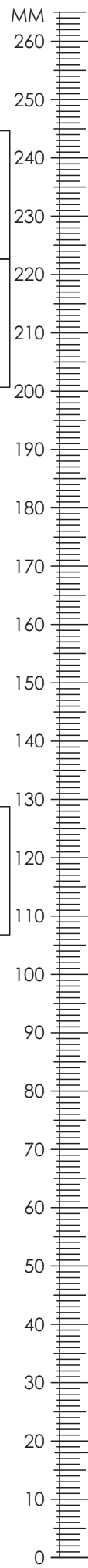
# PAWEŁ

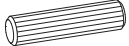




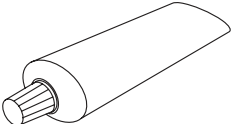



# PAWEŁ

PL <b>1</b>	1536	45	45	x1	PNPL_00510
TL <b>2</b>	1536	45	45	x1	PNTL_00530
PP <b>3</b>	1536	45	45	x1	PNPP_00520
TP <b>4</b>	1536	45	45	x1	PNTP_00540
PP <b>5</b>	685, 785, 885	491	27	x4	DP_00480 PS_00470
DN <b>6</b>	1390,1590, 1690,1790, 1890, 1990	107	27	x7	DN_00110
LS <b>7</b>	1340,1540, 1640,1740, 1840, 1940	35	27	x4	LS_00160
DN <b>9</b>	900, 1100, 1200, 1300, 1400, 1500	107	27	x2	DN_00110
WDS <b>10</b>	429	45	45	x1	WDDS_00550
P <b>11</b>	985	55	27	x2	P_00490
DDS <b>12</b>	1199	65	27	x2	DDS_00500
DSS <b>13</b>	390	65	27	x4	DSS_00210


# PAWEŁ



<p><b>A2</b> akc_0002</p>  <p>10 x 40 mm</p> <p style="text-align: right;"><b>x56</b></p>	<p><b>K1</b> akc_0004</p>  <p>6,4 x 50 mm</p> <p style="text-align: right;"><b>x16</b></p>	<p><b>M</b> akc_0005</p>  <p style="text-align: right;"><b>x1</b></p>
<p><b>N1</b> akc_0006</p>  <p>6 x 80 mm</p> <p style="text-align: right;"><b>x34</b></p>	<p><b>S1</b> akc_0008</p>  <p>10 x 16 mm</p> <p style="text-align: right;"><b>x34</b></p>	<p><b>S2</b> akc_0018</p>  <p style="text-align: right;"><b>x1</b></p>
<p><b>W4</b> akc_0012</p>  <p>4 x 60 mm</p> <p style="text-align: right;"><b>x2</b></p>		

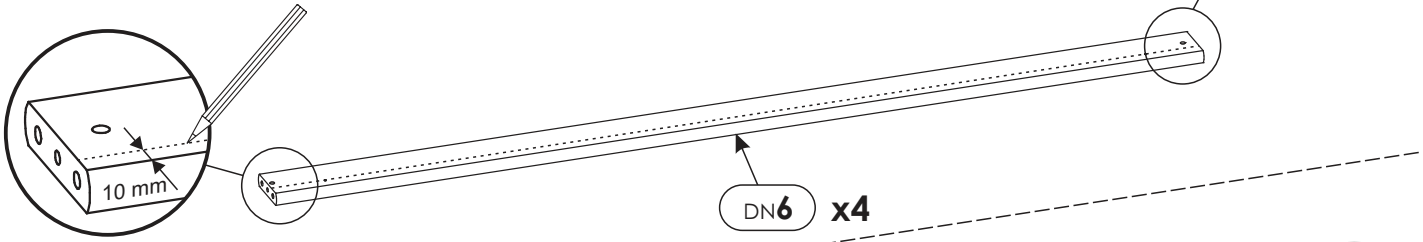
----- **OPTION** -----

<p><b>W1</b> akc_0009</p>  <p>3,5 x 40 mm</p> <p style="text-align: right;"><b>40 &lt; x &lt; 60</b></p>
---

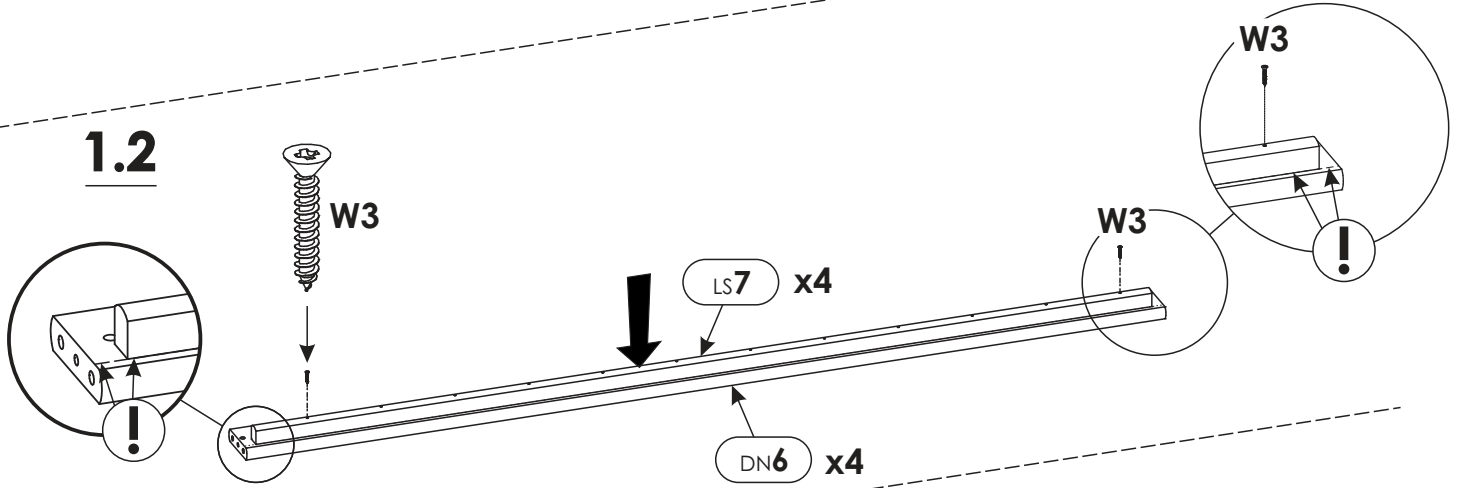
<p><b>W3</b> akc_0011</p>  <p>4 x 50 mm</p> <p style="text-align: right;"><b>40 &lt; x &lt; 48</b></p>
---

# 1.

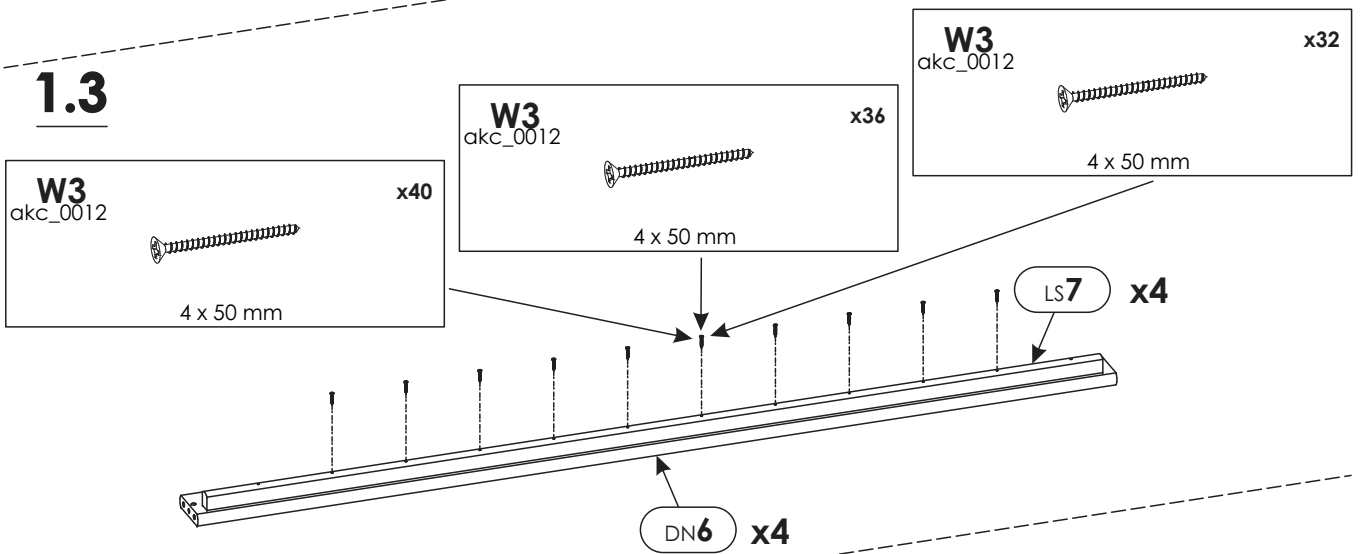
## 1.1



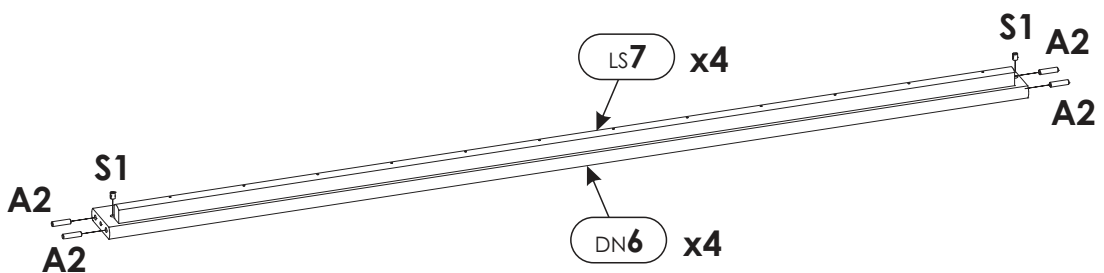
## 1.2



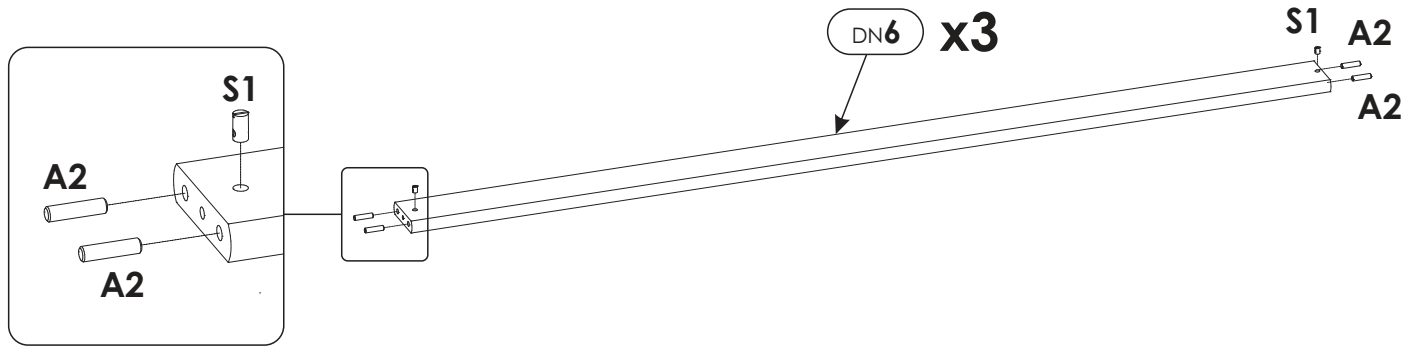
## 1.3



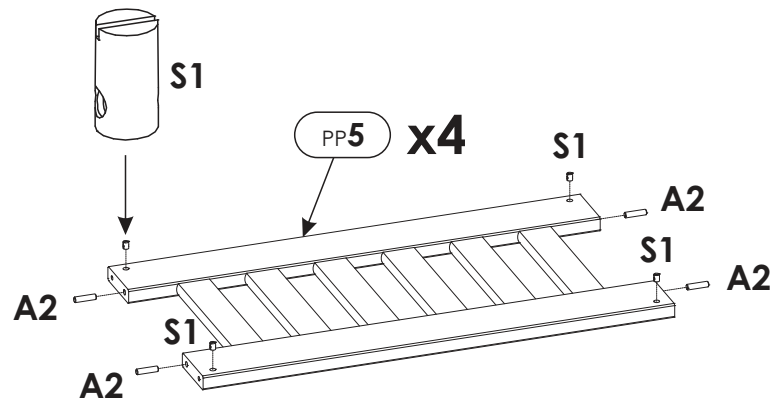
## 1.4



# 2.

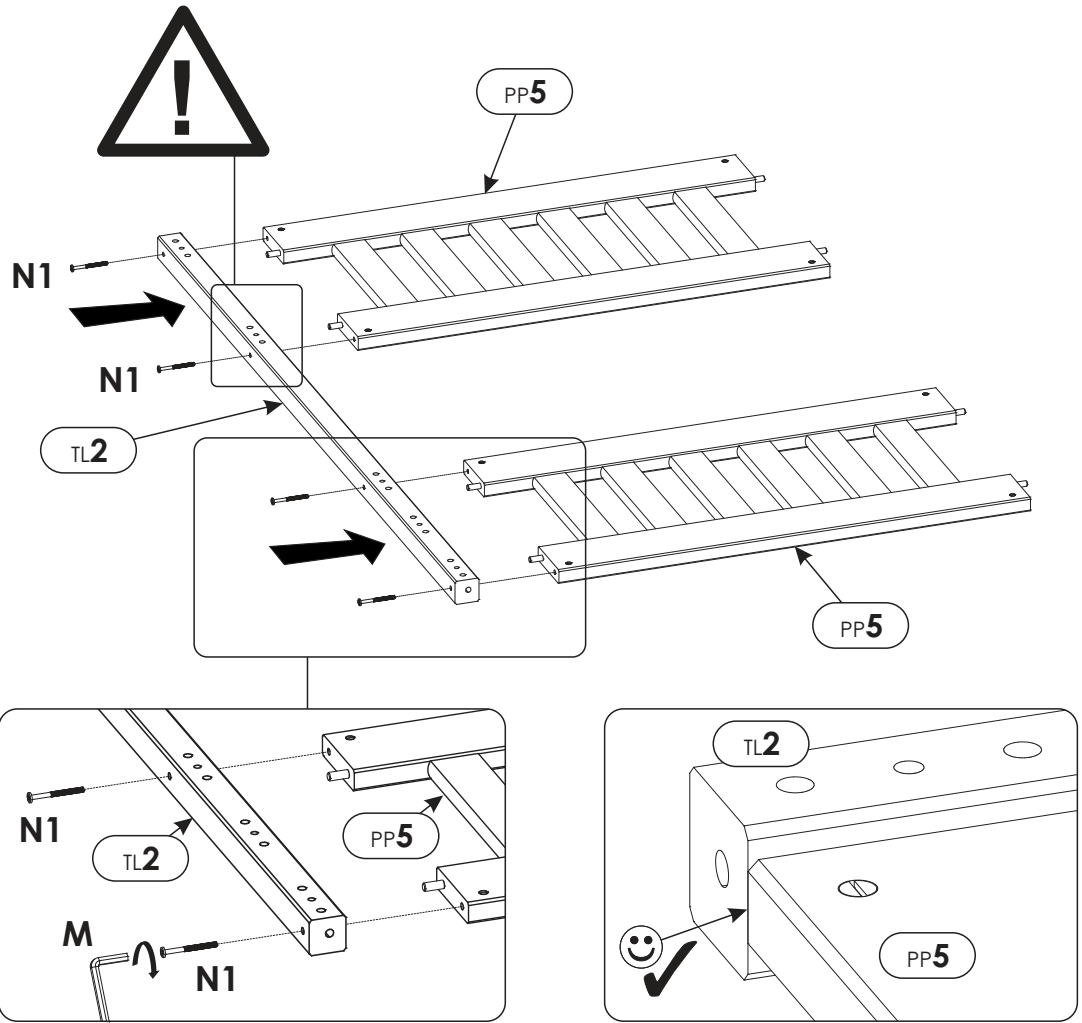


# 3.

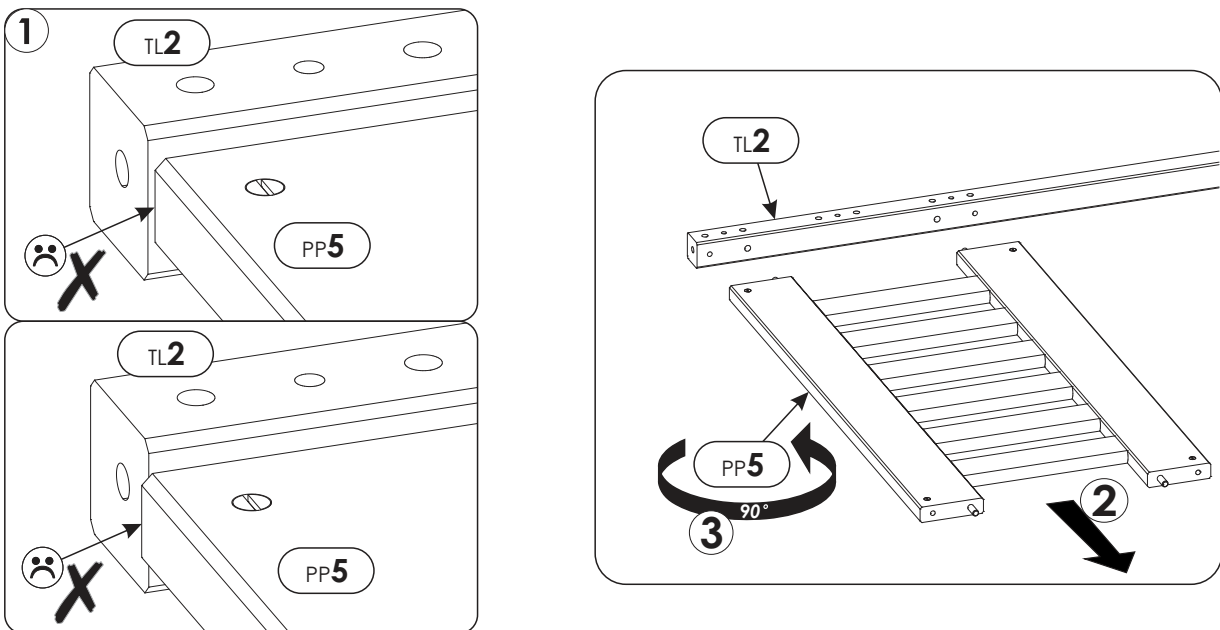


# 4.

## 4.1

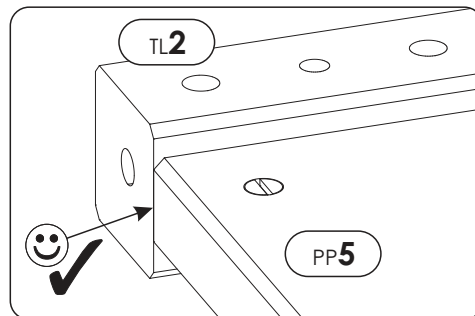
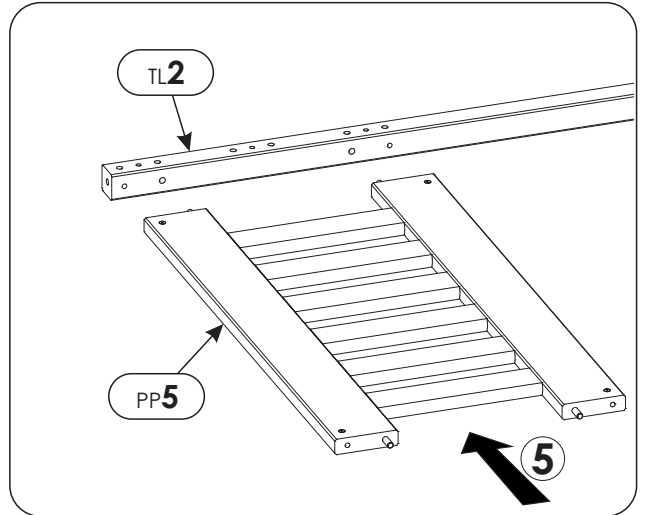
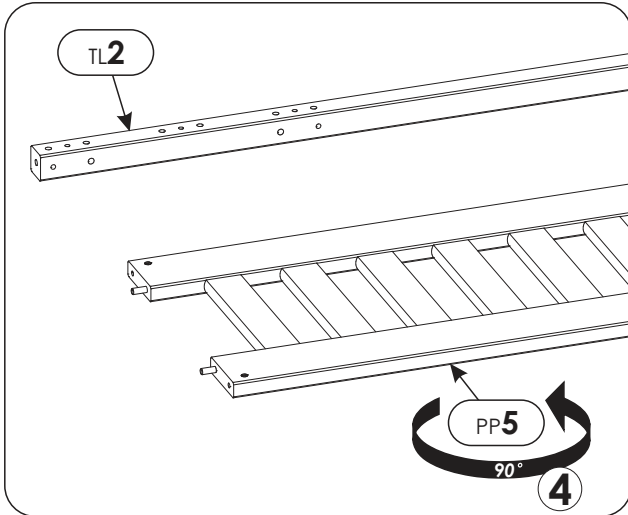


## 4.2

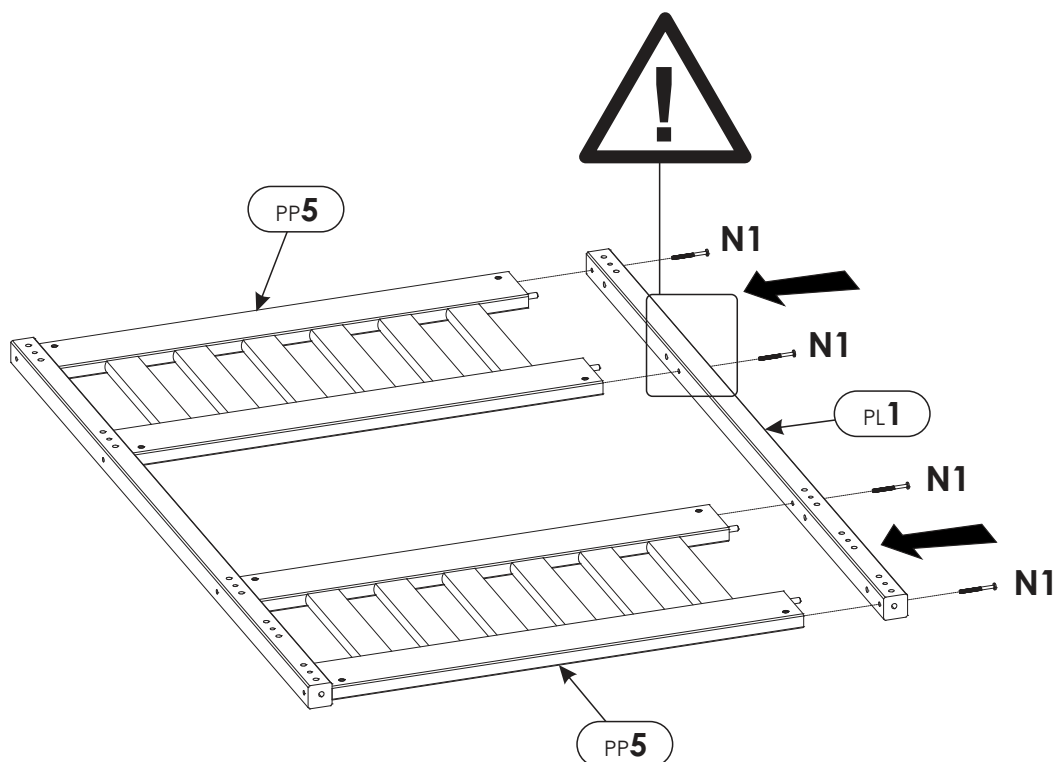




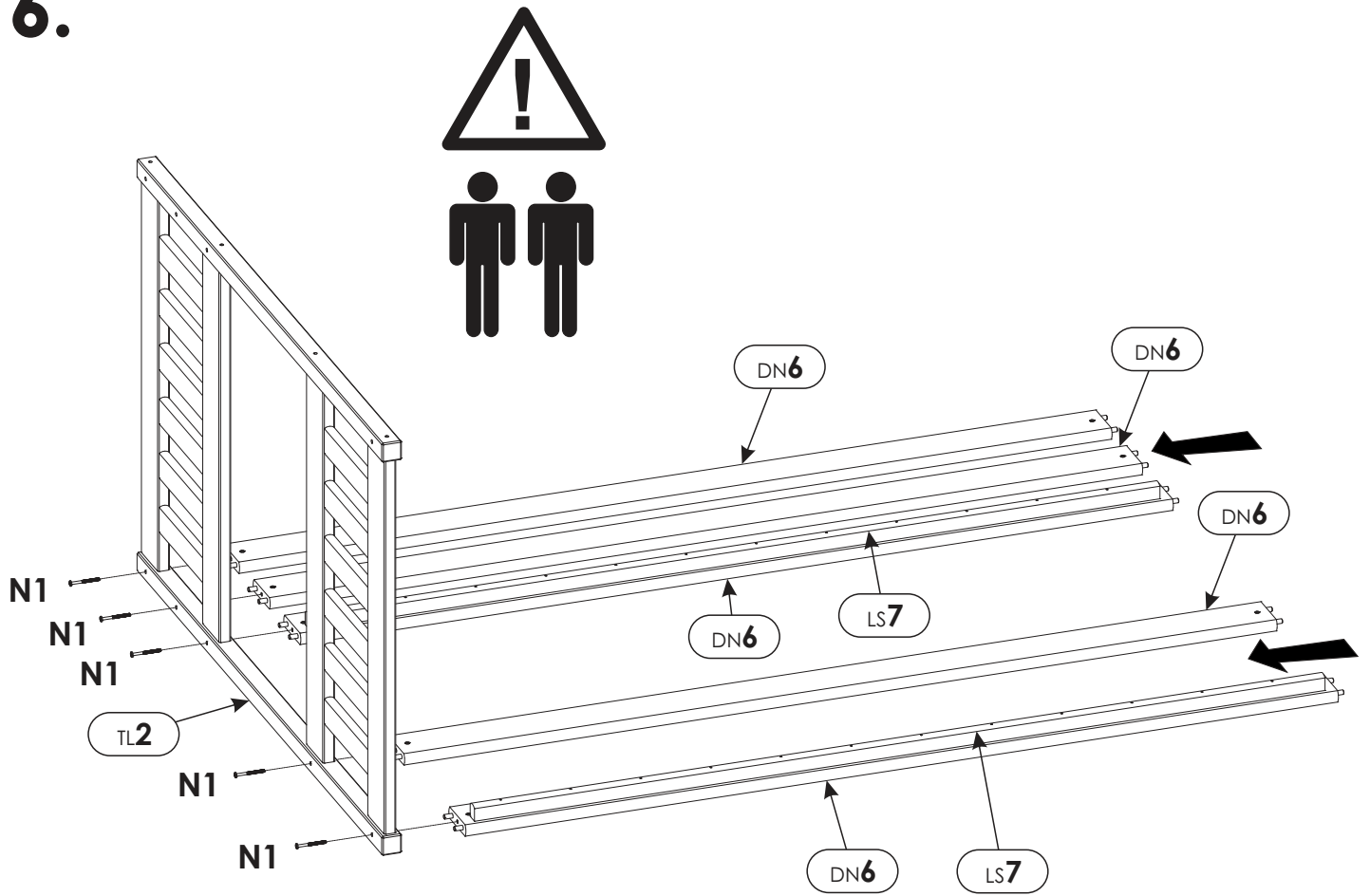
## 4.3



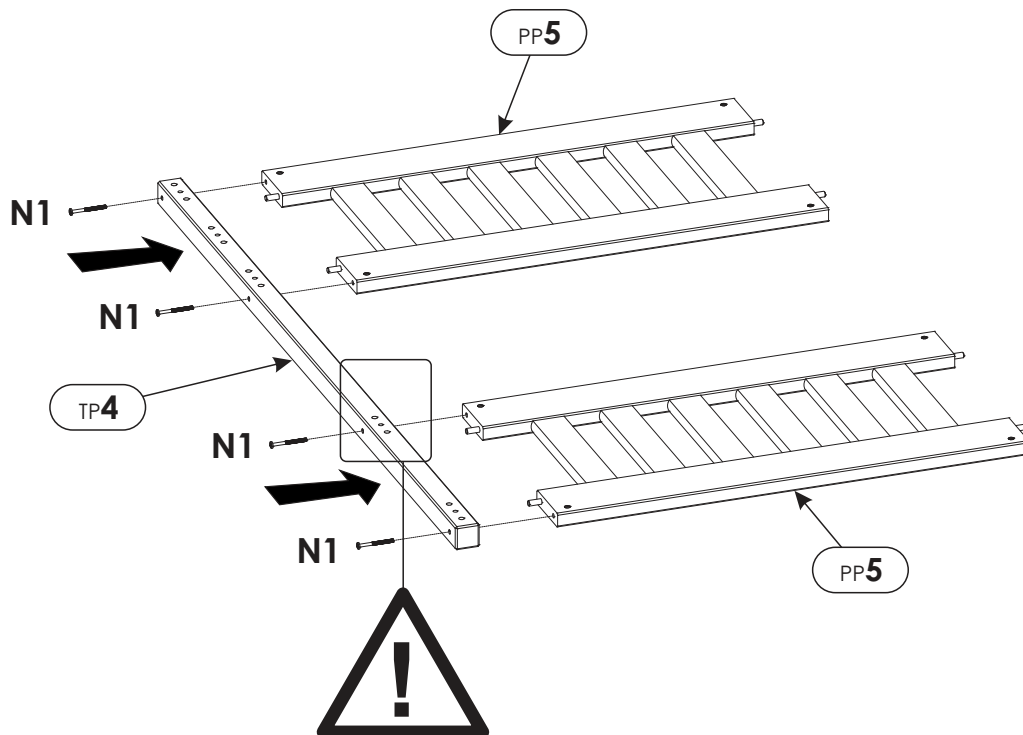
## 5.



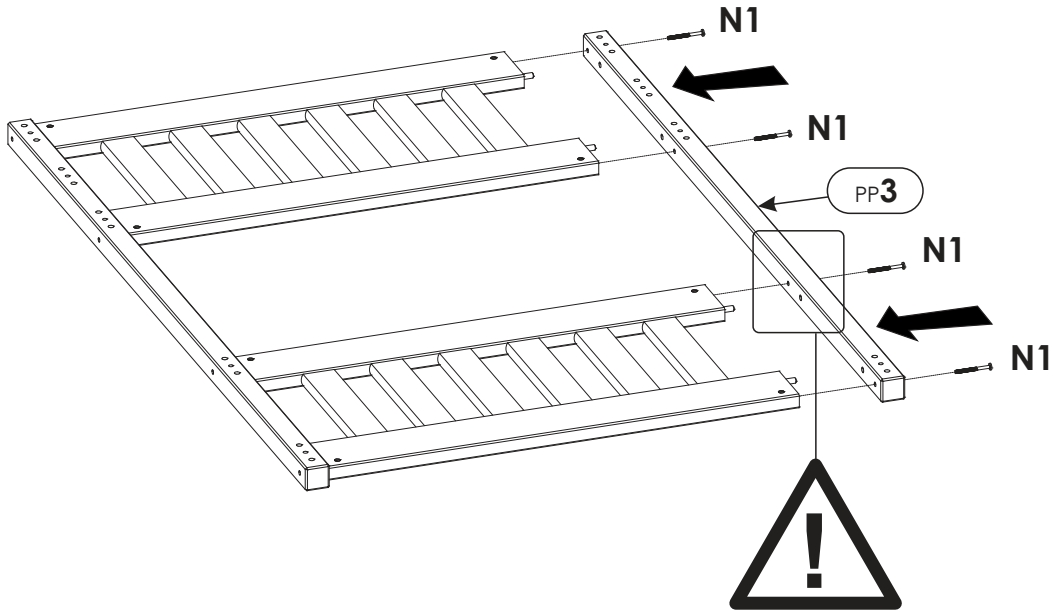
6.



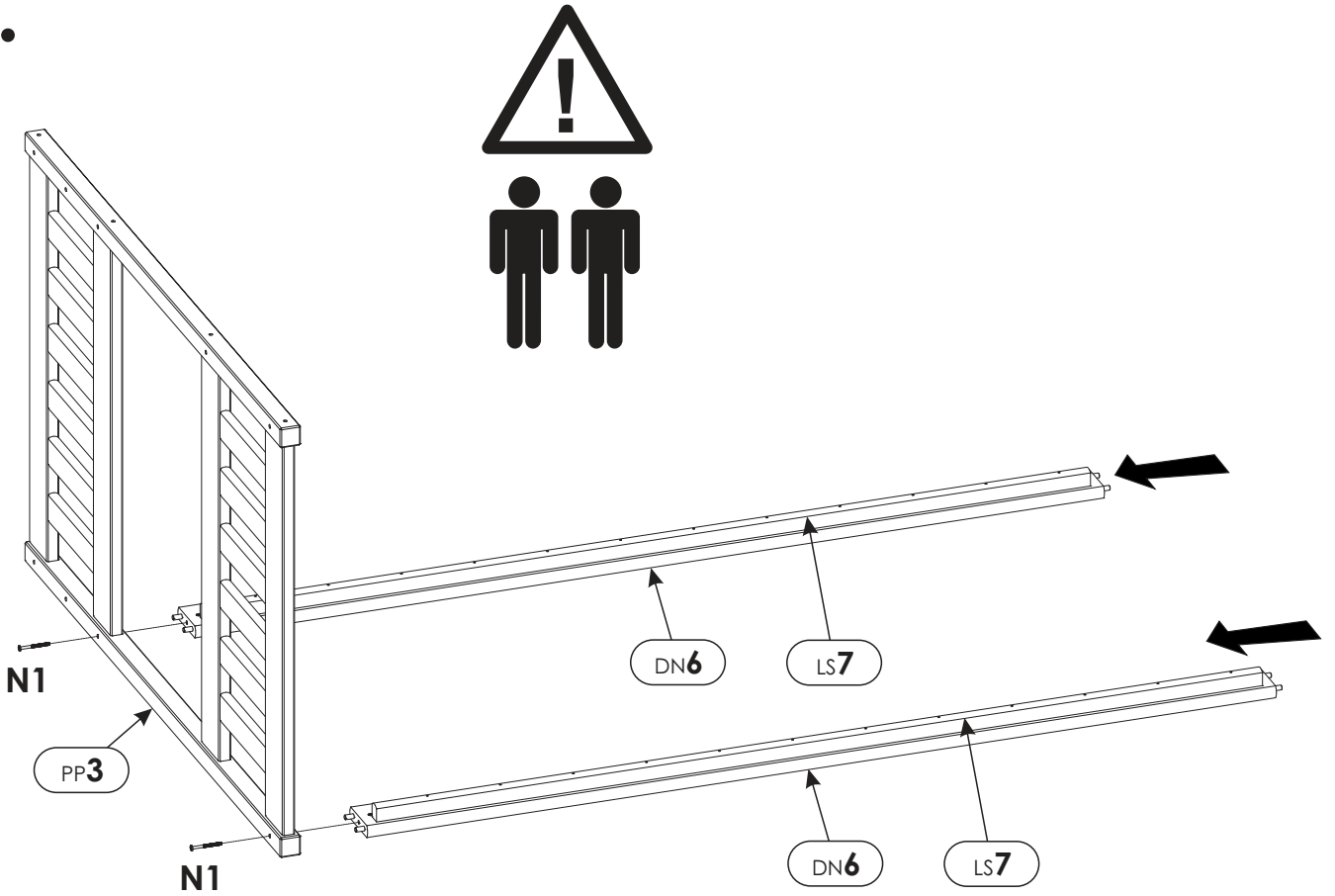
7.



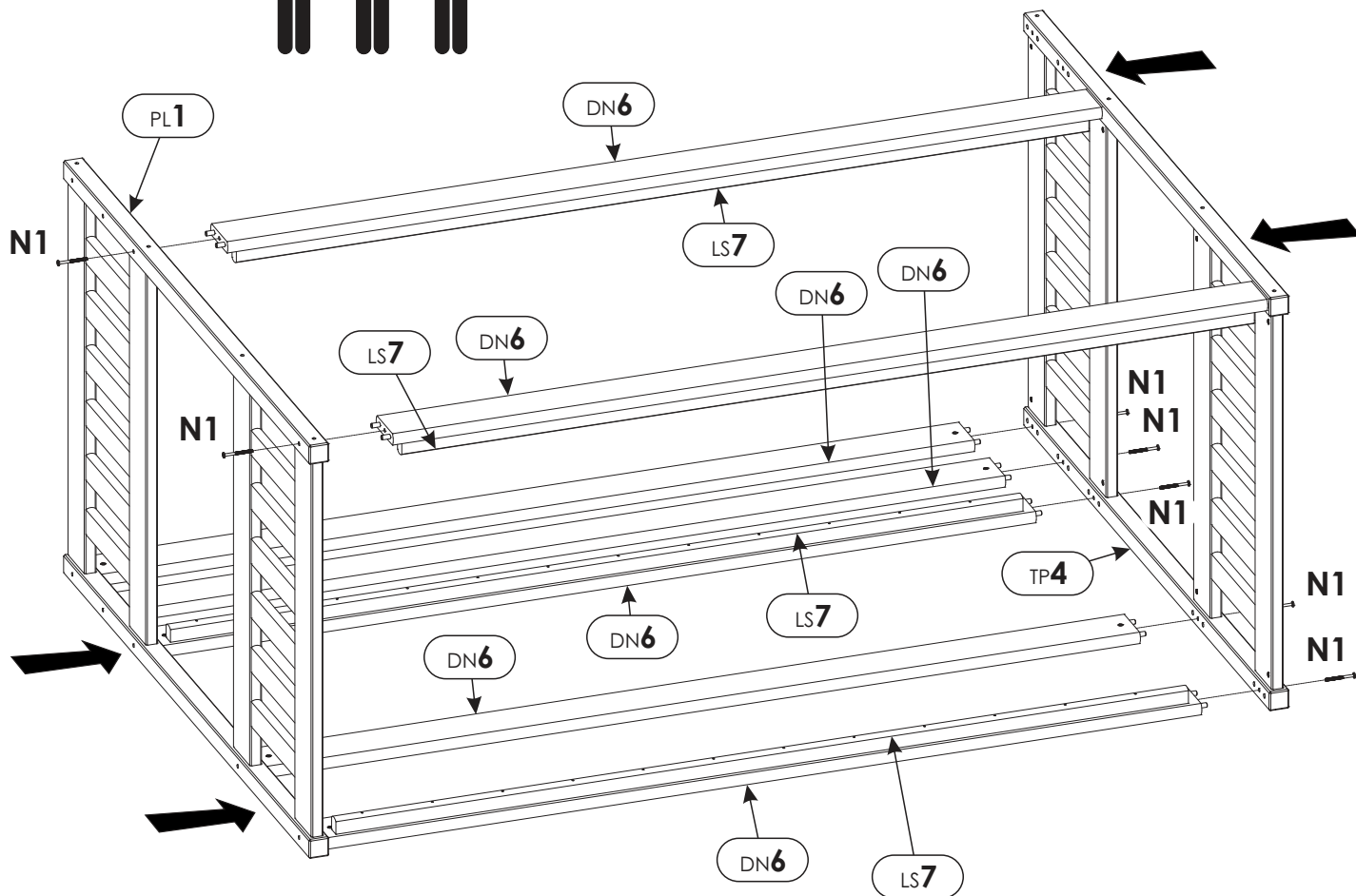
8.



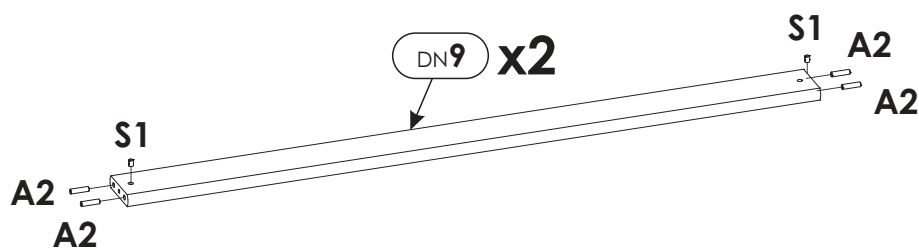
9.



# 10.



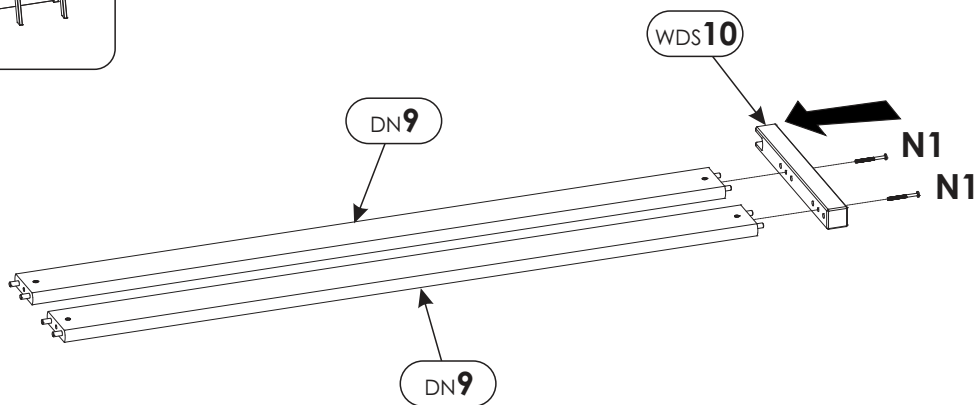
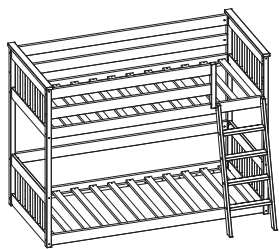
# 11.



# 12.

## 12.1

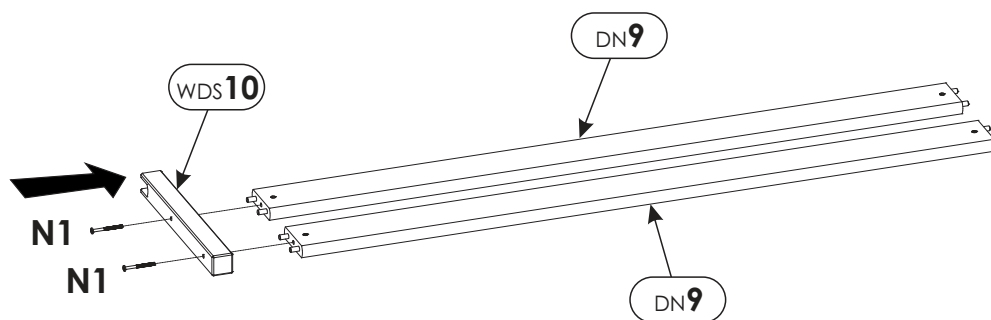
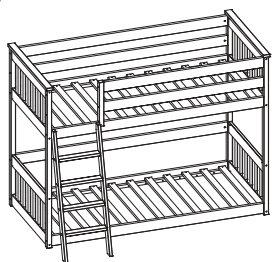
R



---

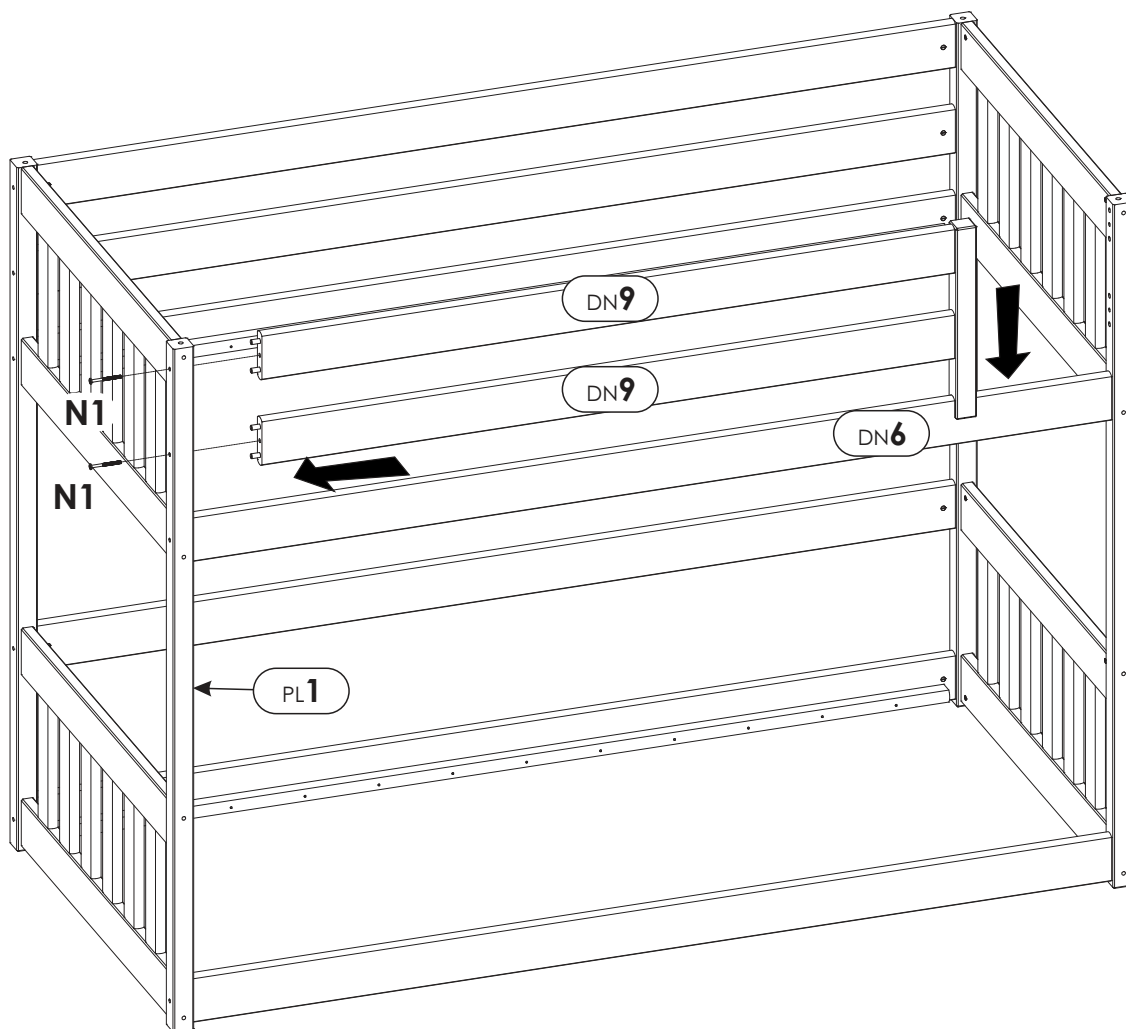
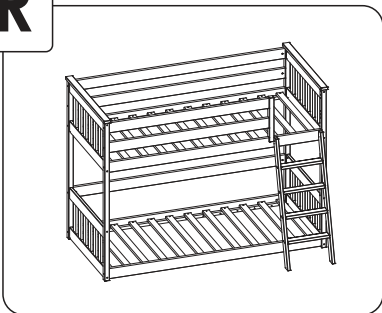
## 12.1

L



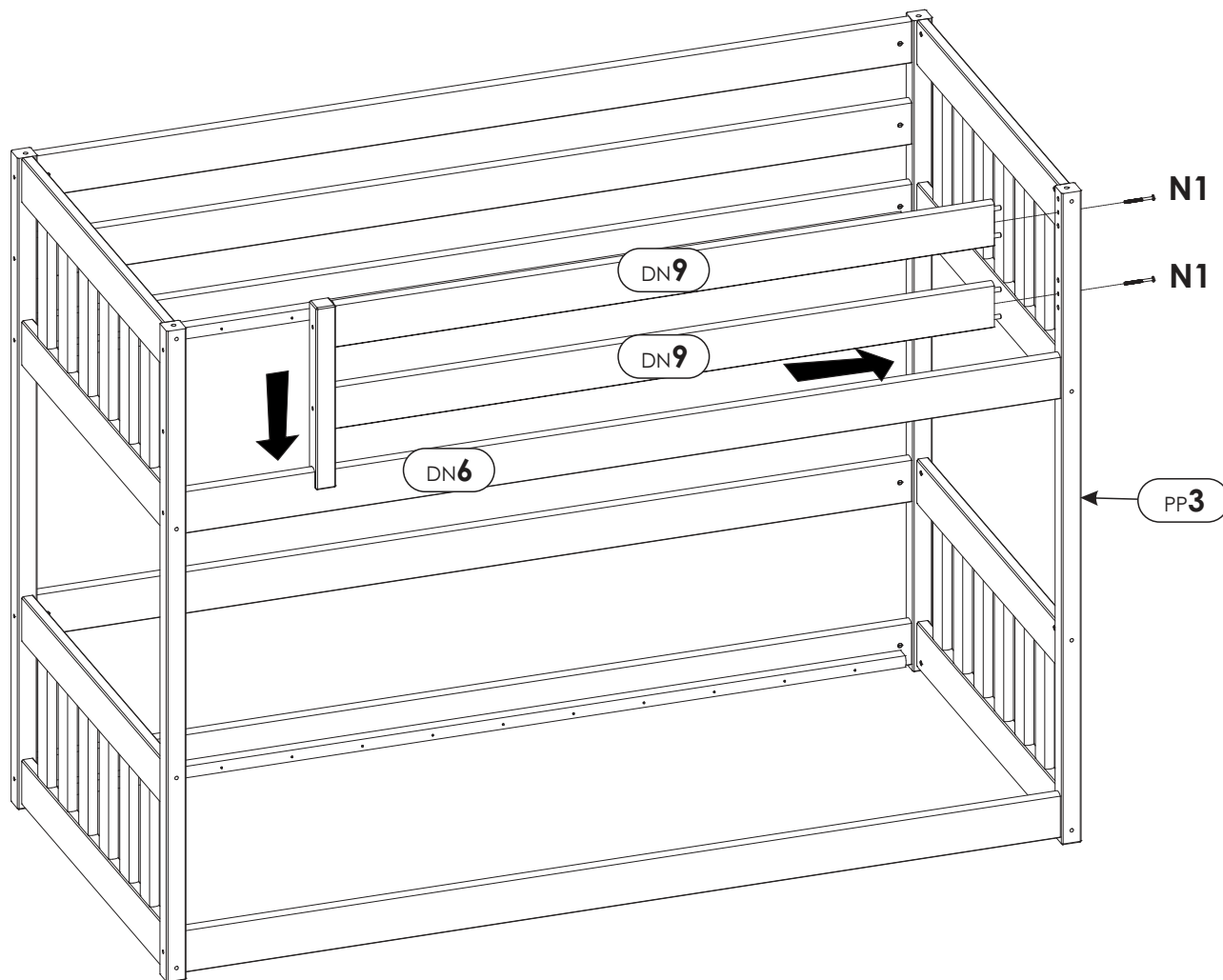
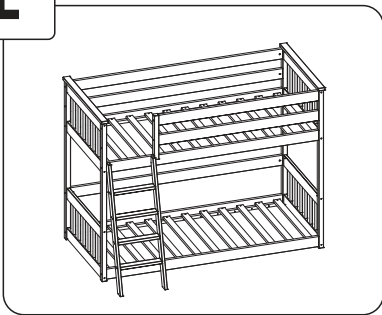
# 13.

R

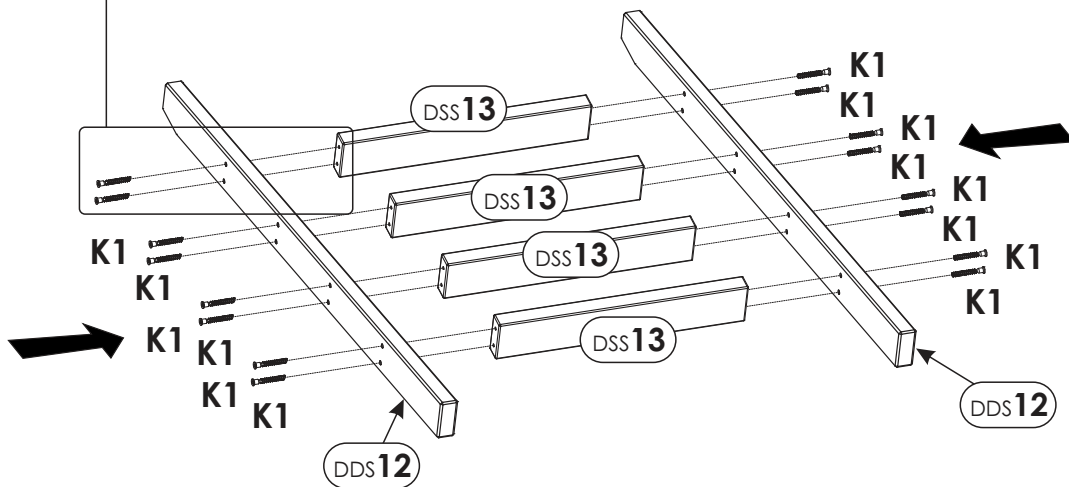
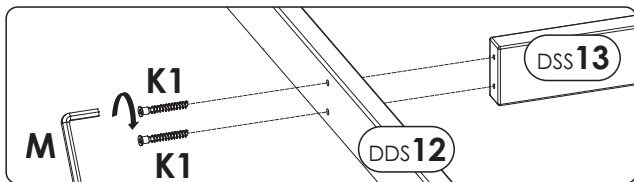


# 14.

L

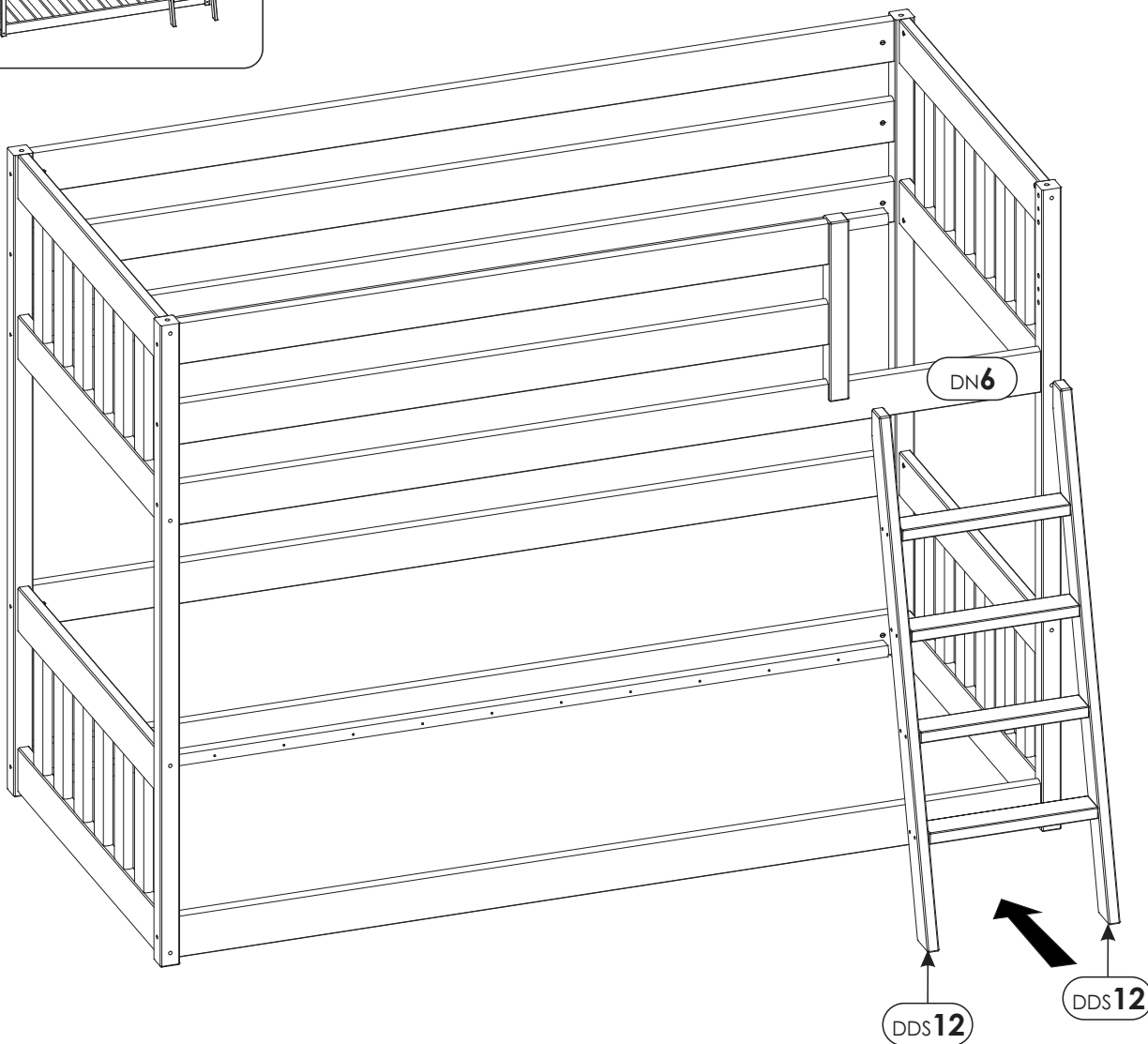
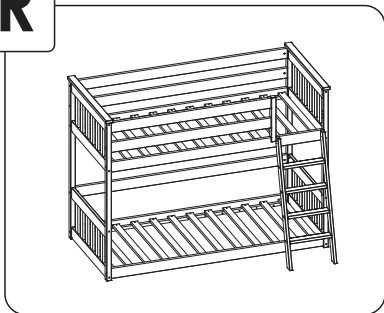


15.



16.

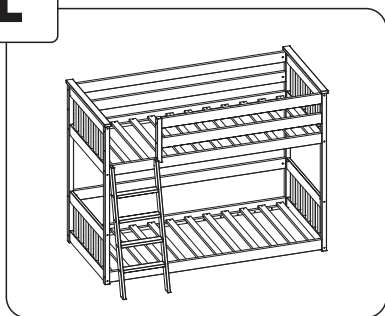
R





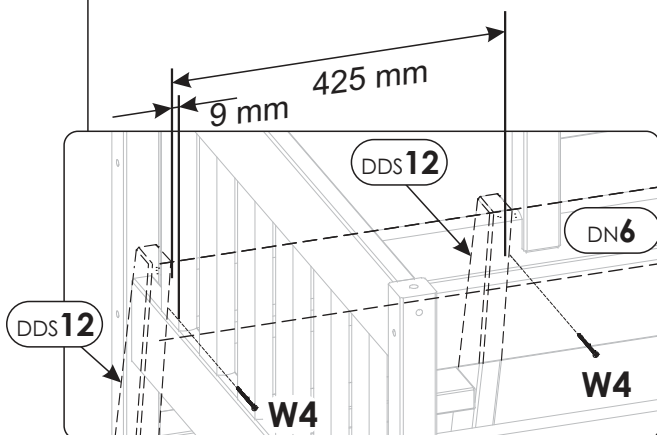
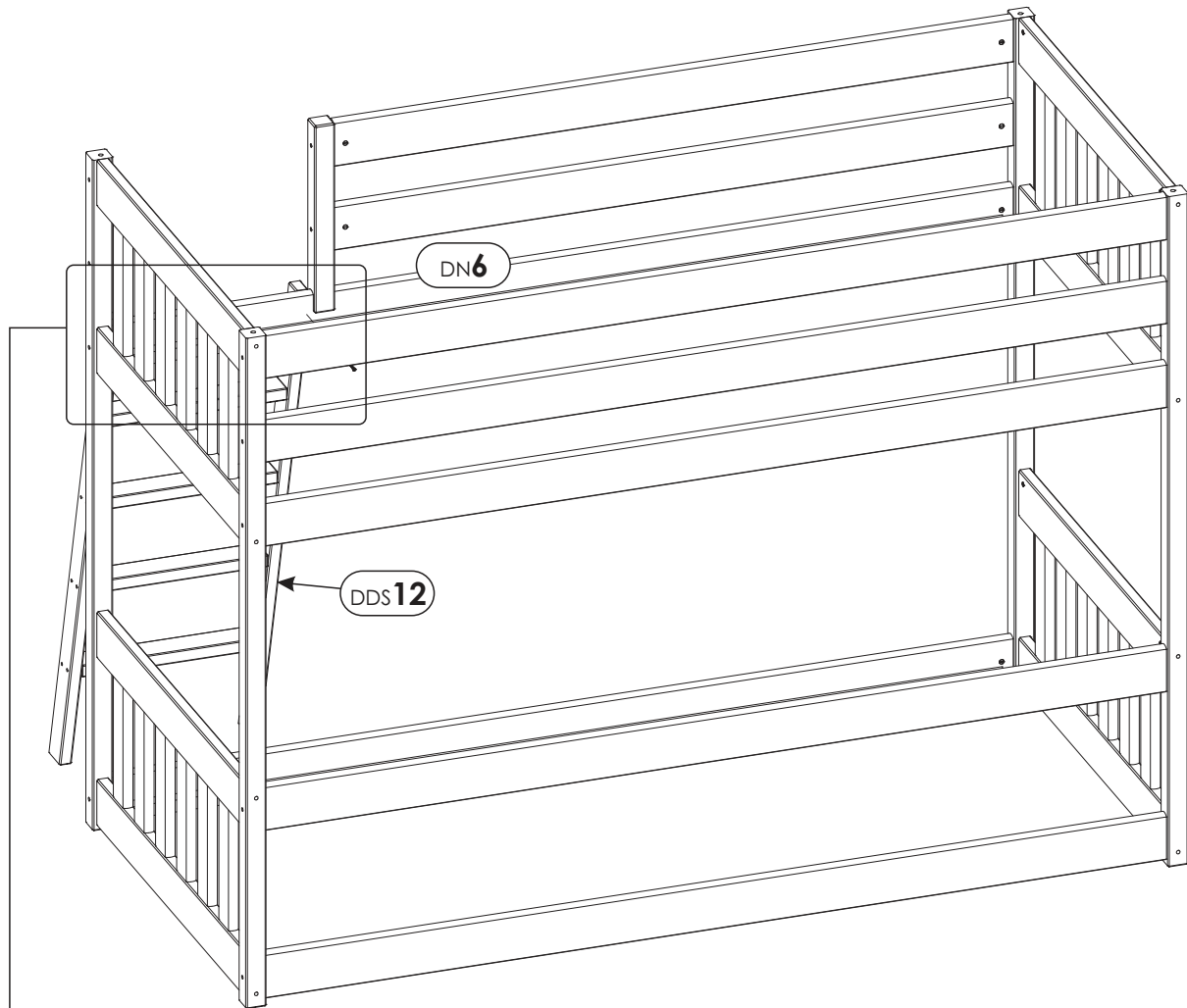
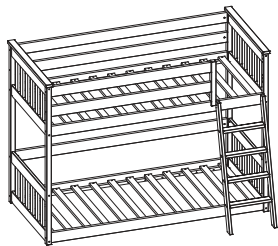
# 17.

L



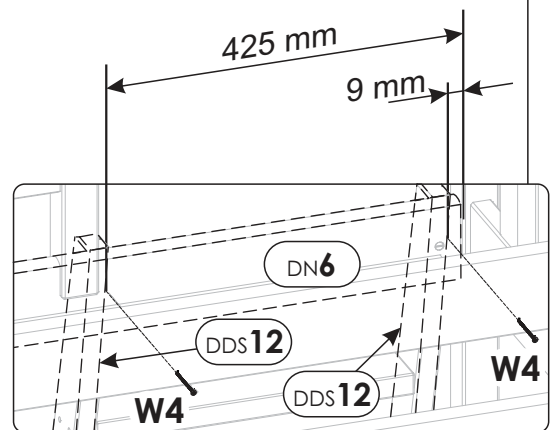
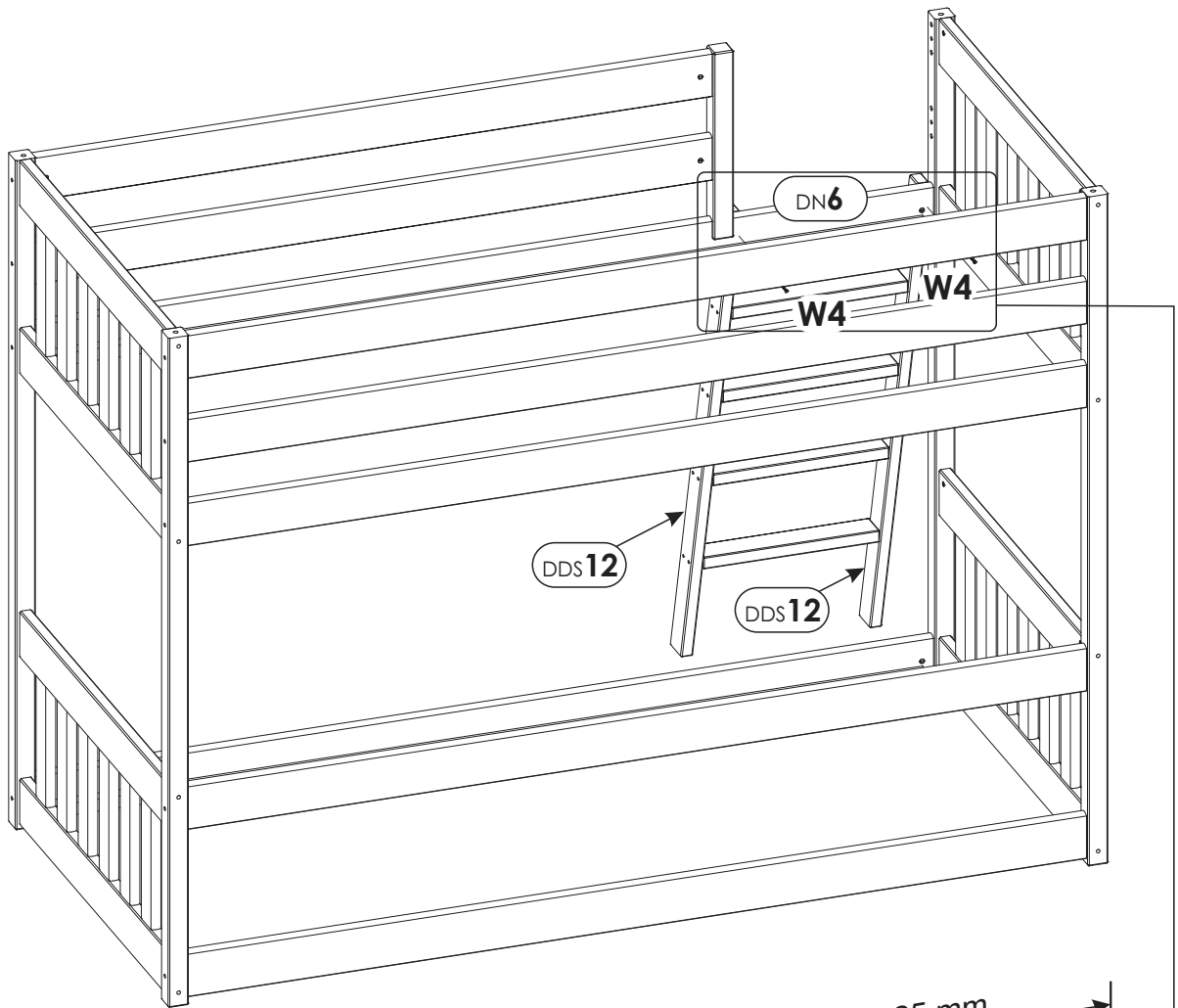
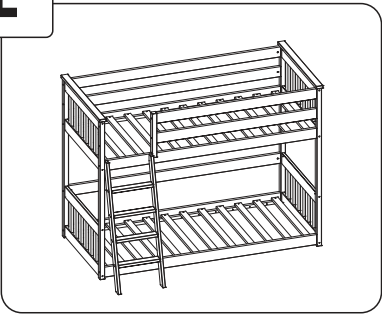
# 18.

R



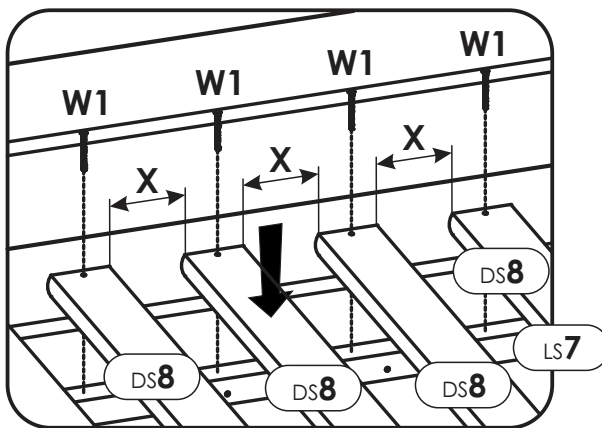
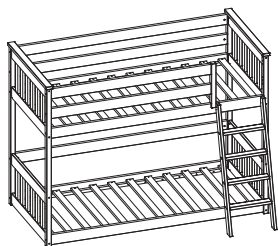
# 19.

L



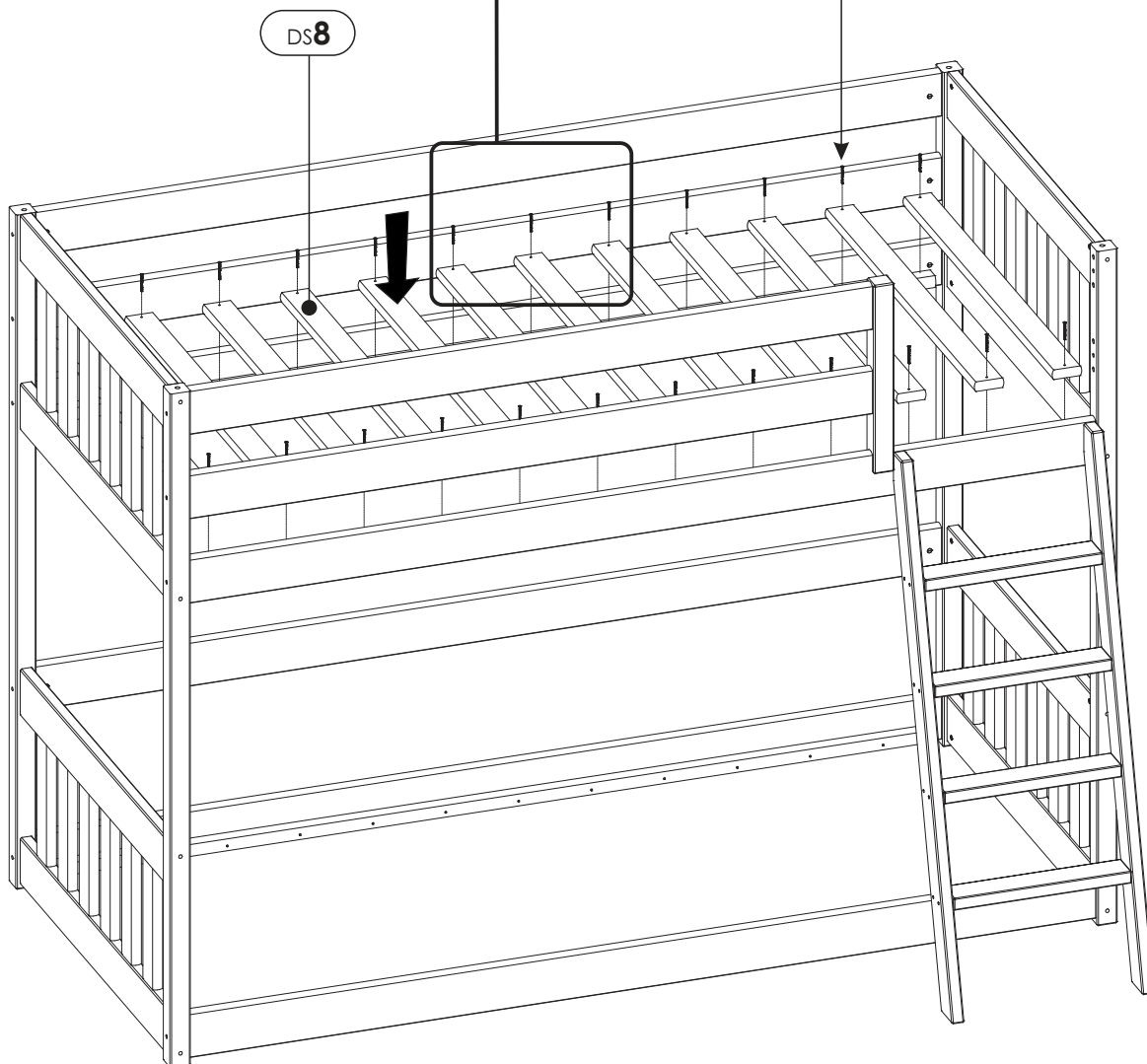
# 20.

## R



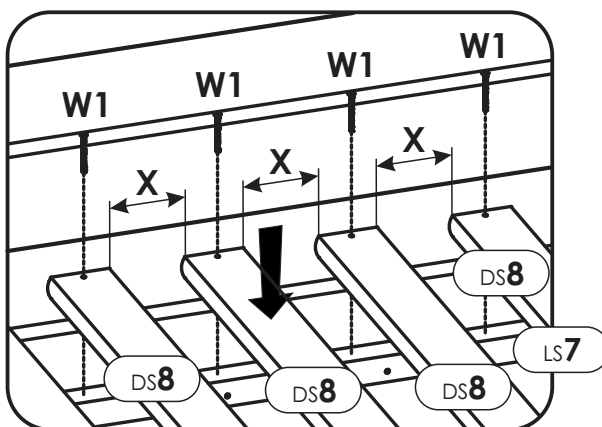
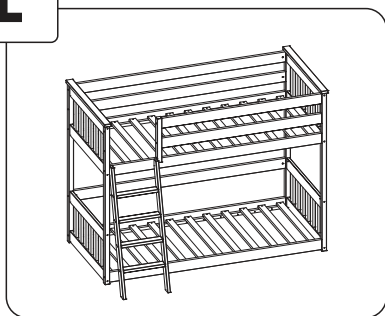
**OPTION:**

- x30
- x28
- W1** x26
- x24
- x20



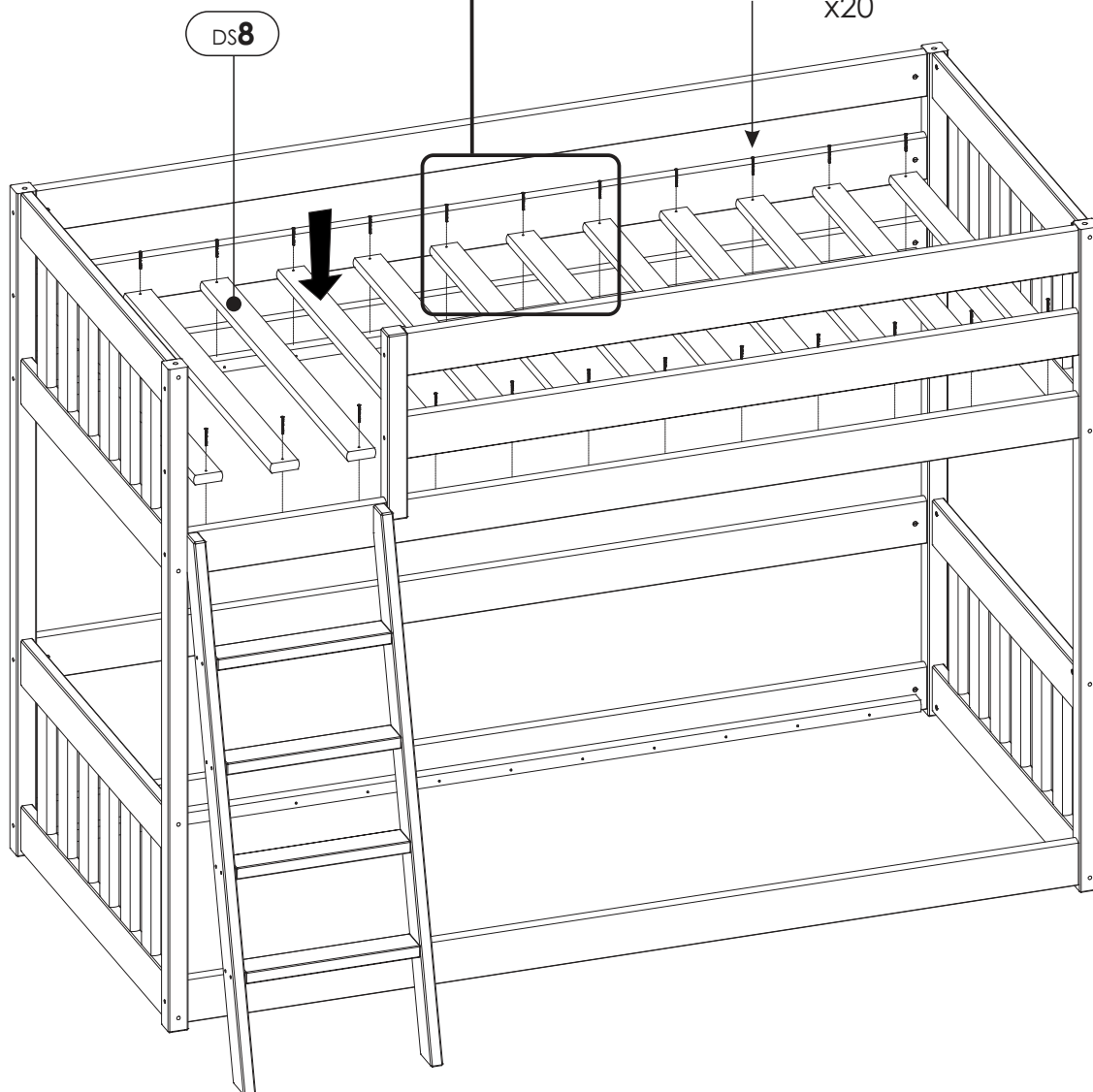
# 21.

L



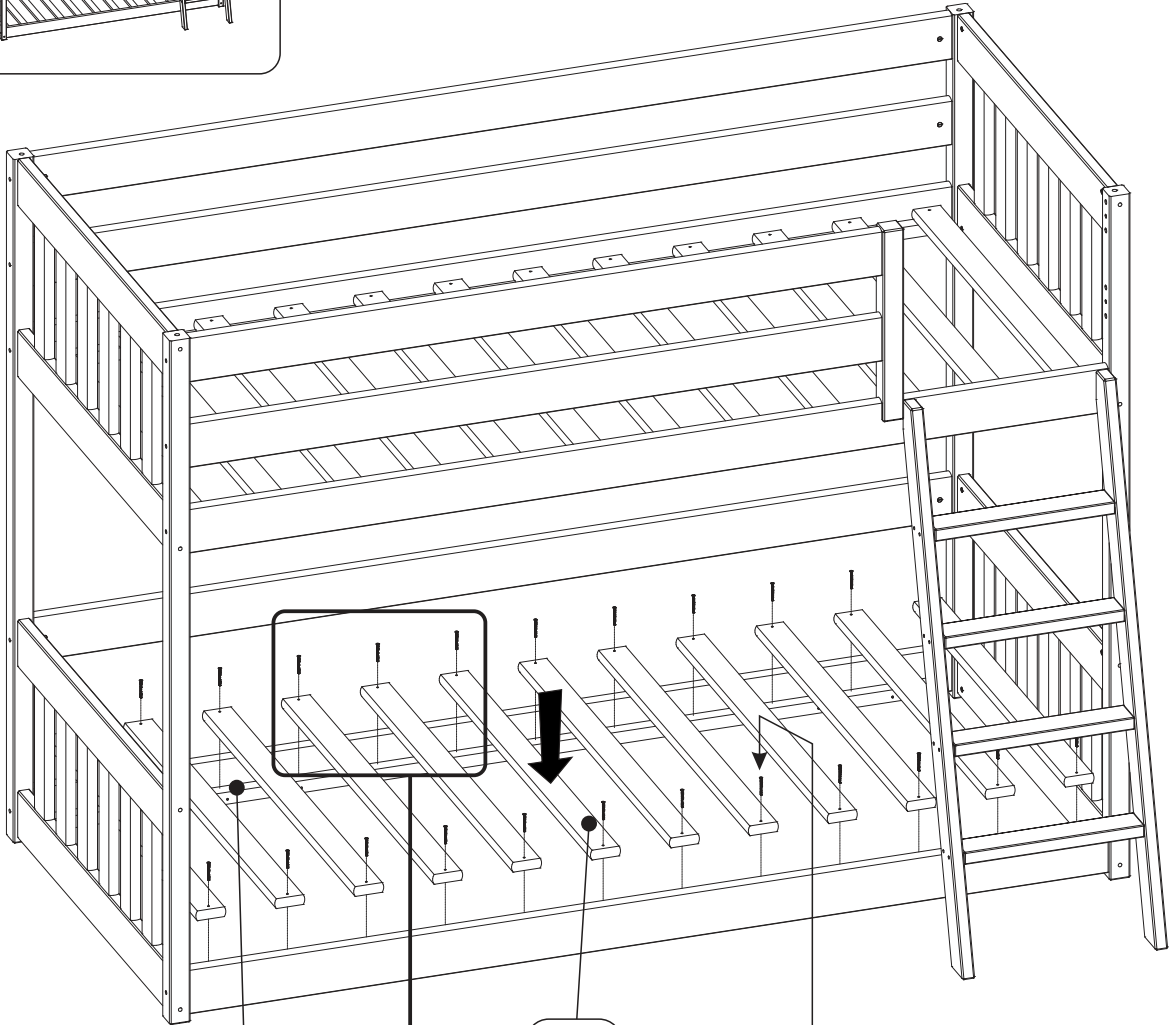
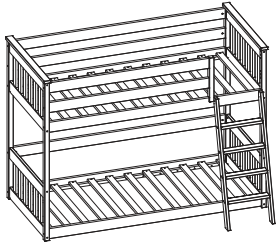
**OPTION:**

- x30
- x28
- W1** x26
- x24
- x20



# 22.

R

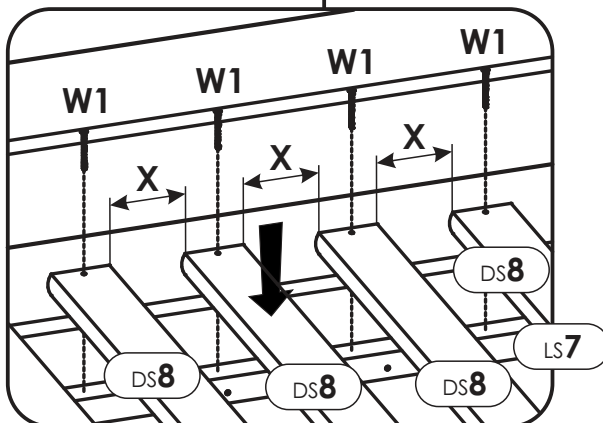


LS7

DS8

**OPTION:**

- x30
- x28
- W1** x26
- x24
- x20



W1

W1

W1

W1

DS8

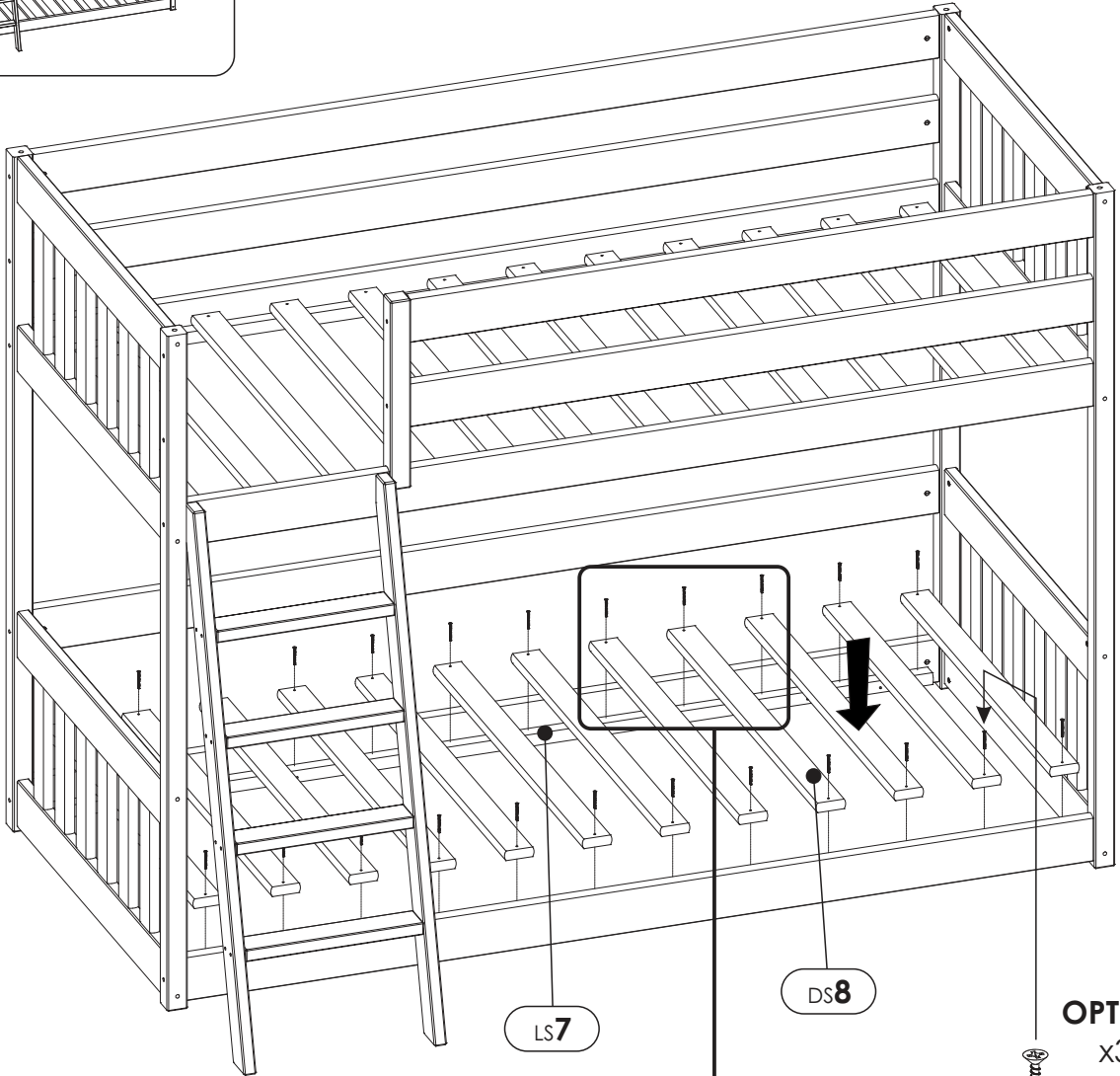
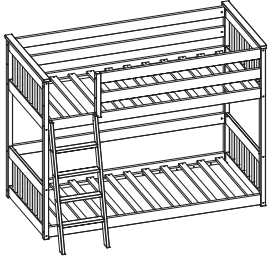
DS8

DS8

LS7

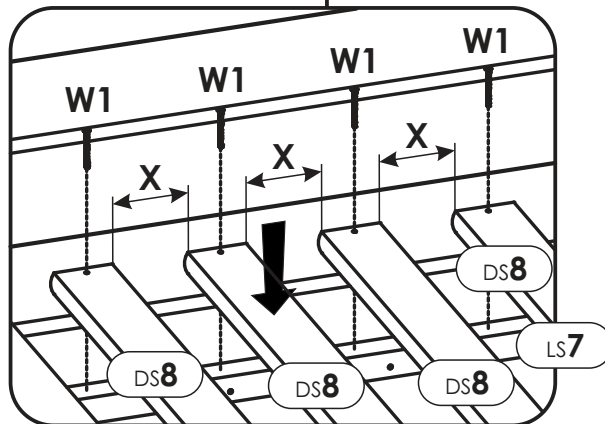
# 23.

L

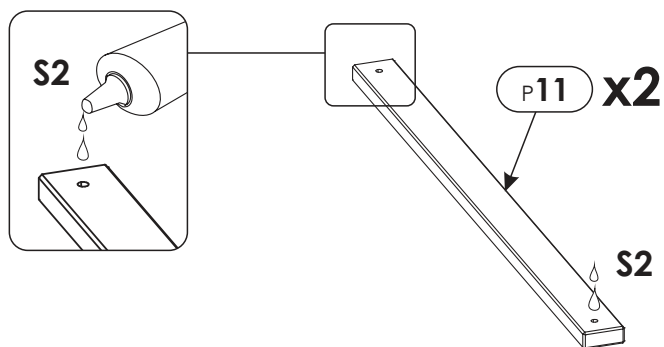


**OPTION:**

- x30
- x28
- W1** x26
- x24
- x20

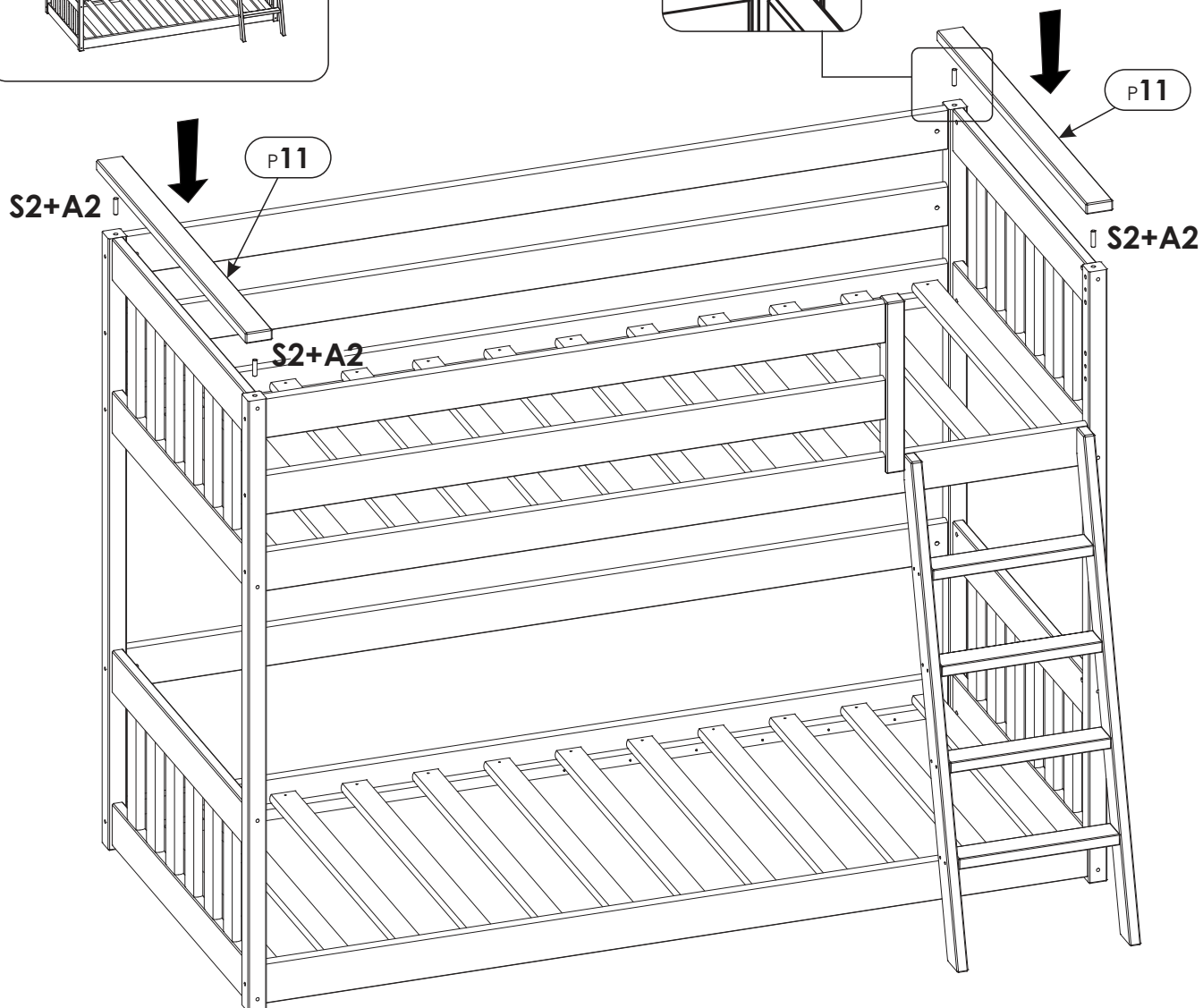
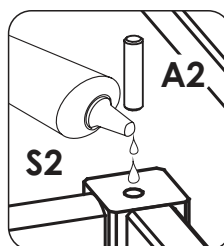
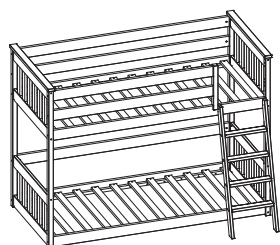


# 24.



# 25.

**R**





# 26.

L

