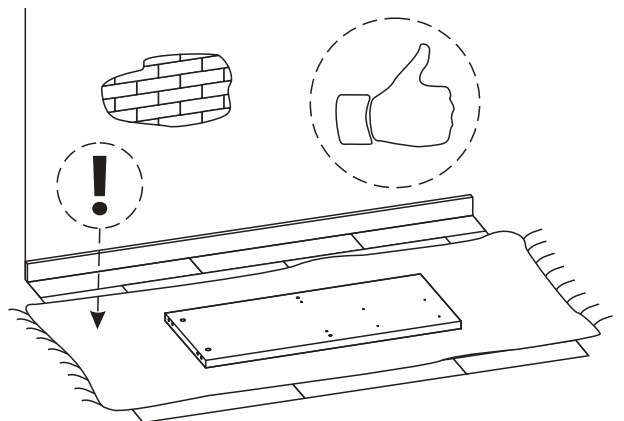
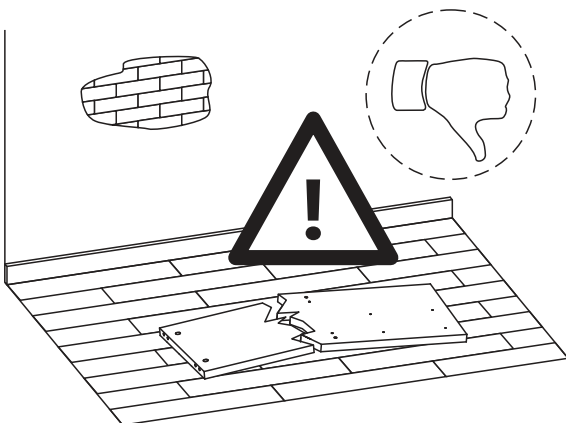
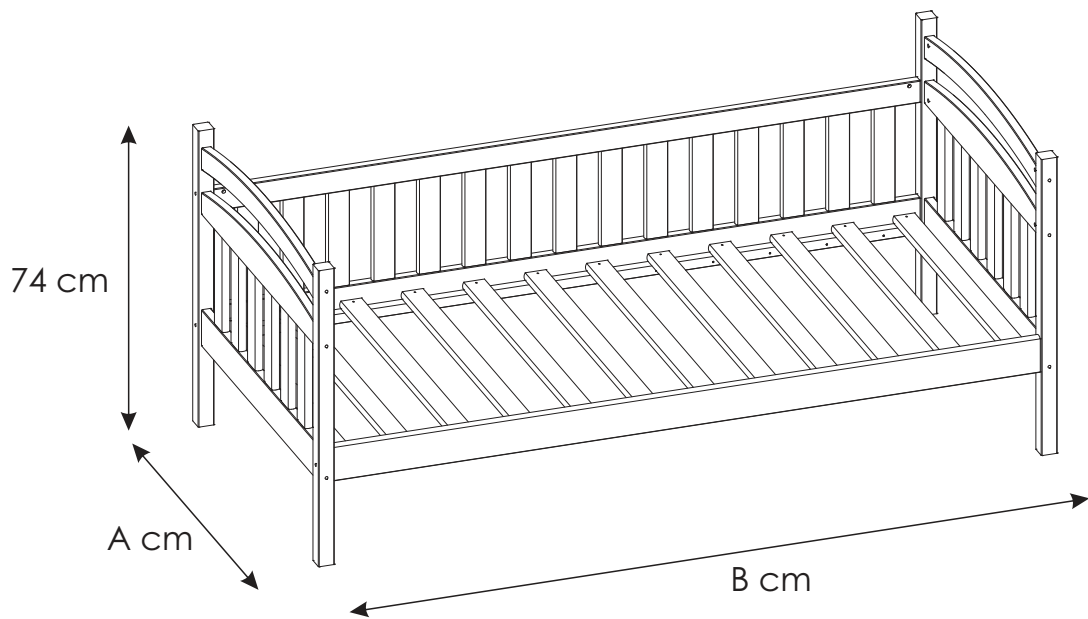
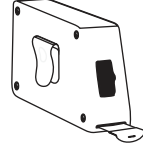
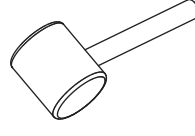
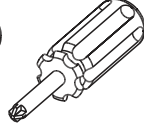
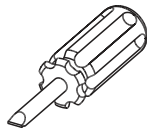
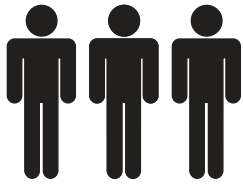
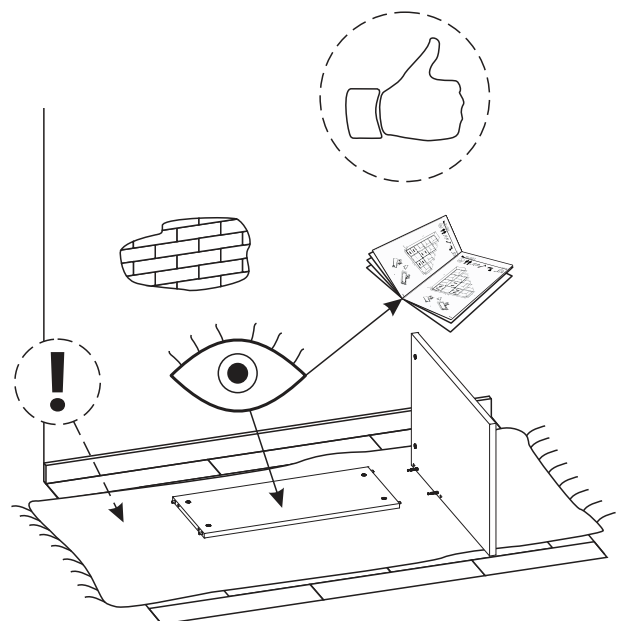
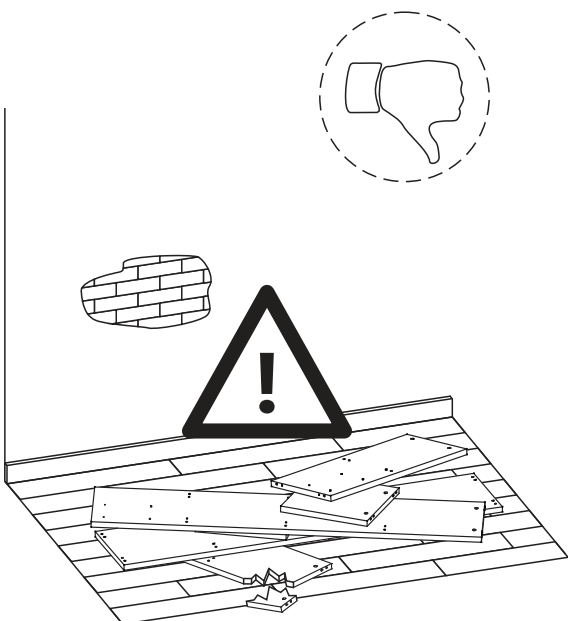
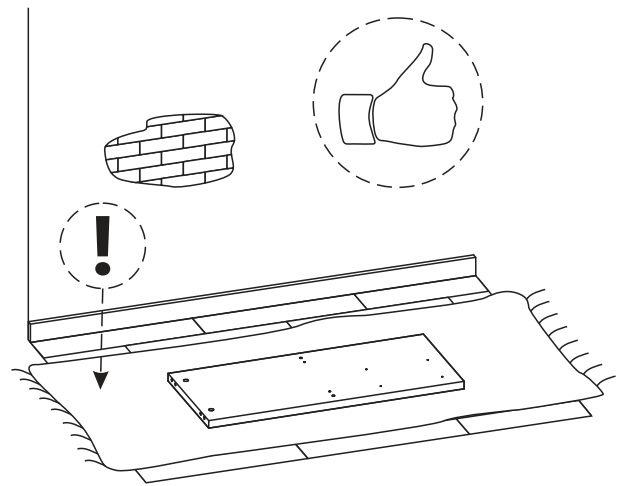
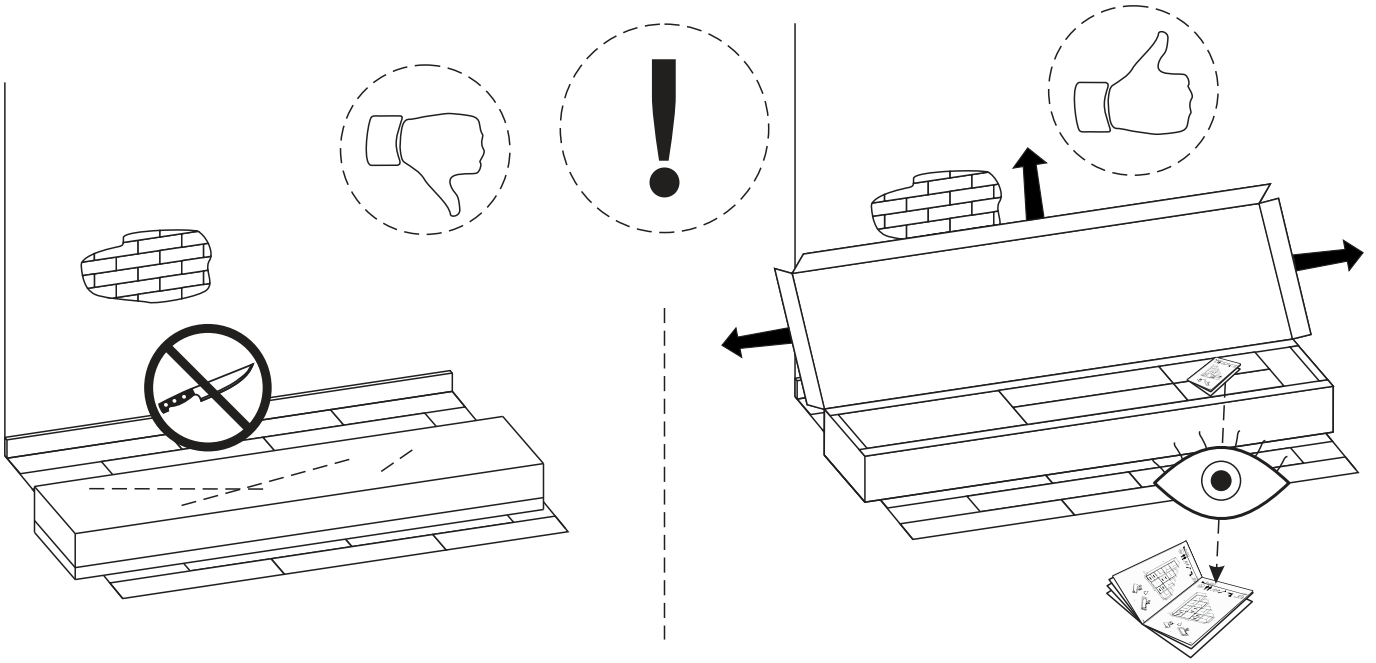
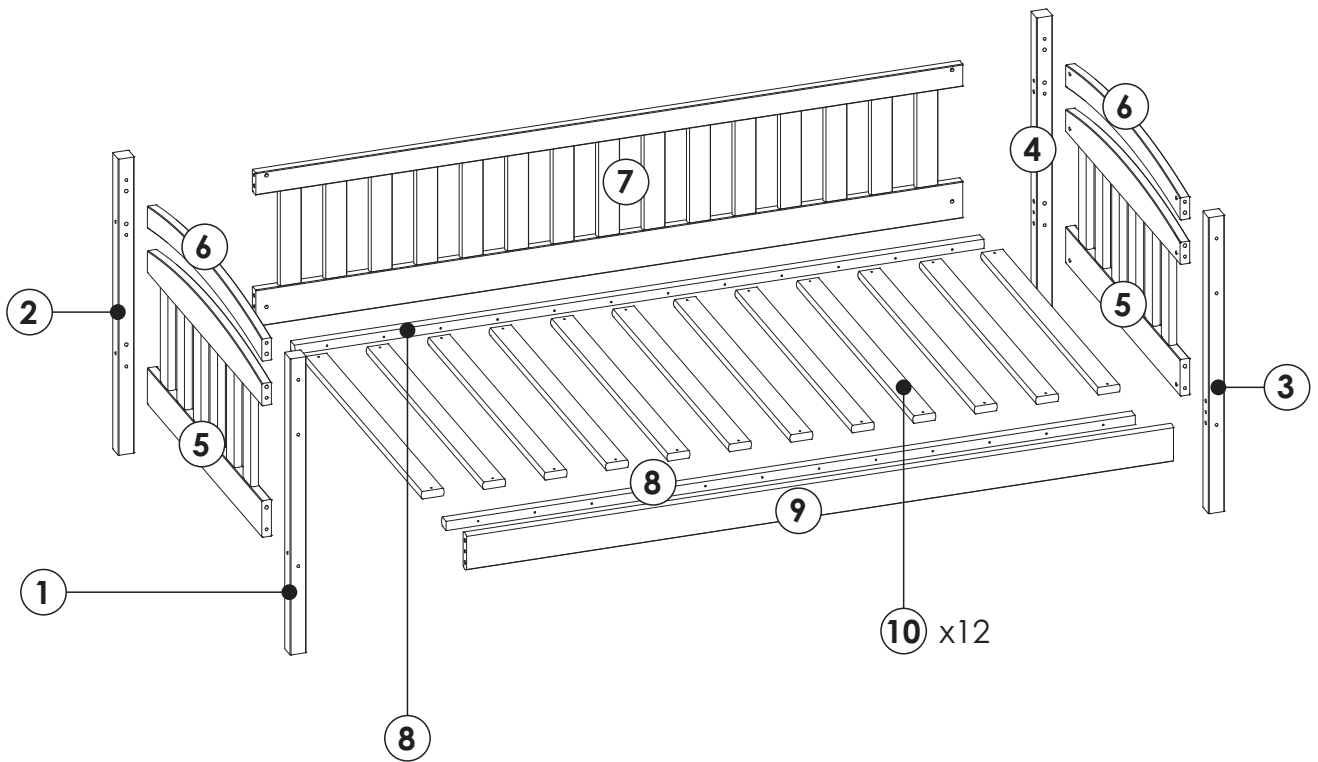
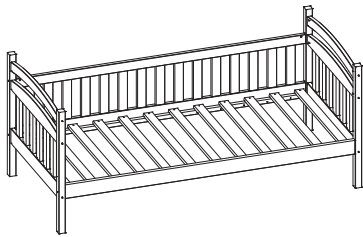


ALICJA



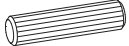






ALICJA

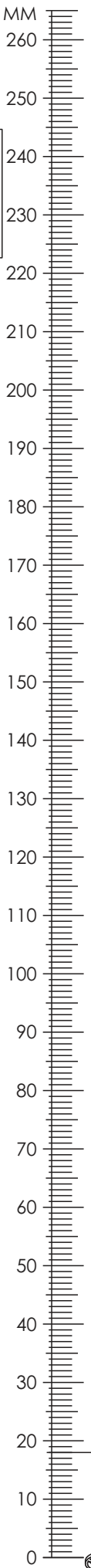
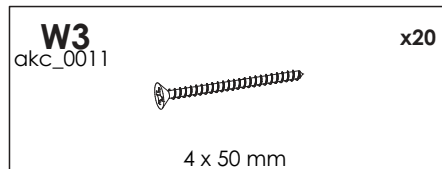
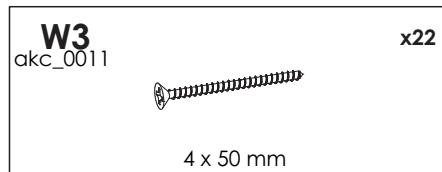
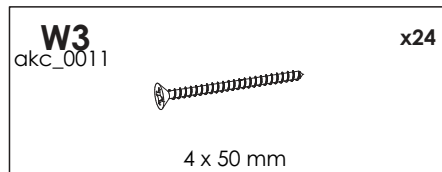


NPL 1	864	45	45	x1	MNDPL_00760
NTL 2	864	45	45	x1	MNGTL_00700
NPP 3	864	45	45	x1	MNDPP_00750
NTP 4	864	45	45	x1	MNGTP_00720
PBB 5	685, 785, 885	491	27	x2	PS_00470 DP_00480 DB_00610
DB 6	685, 785, 885	107	27	x2	DB_00600
PTP 7	1390, 1590, 1690, 1790, 1890, 1990	449	27	x1	PS_00470 DPDC_00670 DPDC_00680
LS 8	1340, 1540, 1640, 1740, 1840, 1940	35	27	x2	LS_00160
DN 9	1390, 1590, 1690, 1790, 1890, 1990	107	27	x1	DN_00110
DS 10	700, 800, 900	65	22	x12	DS_00170

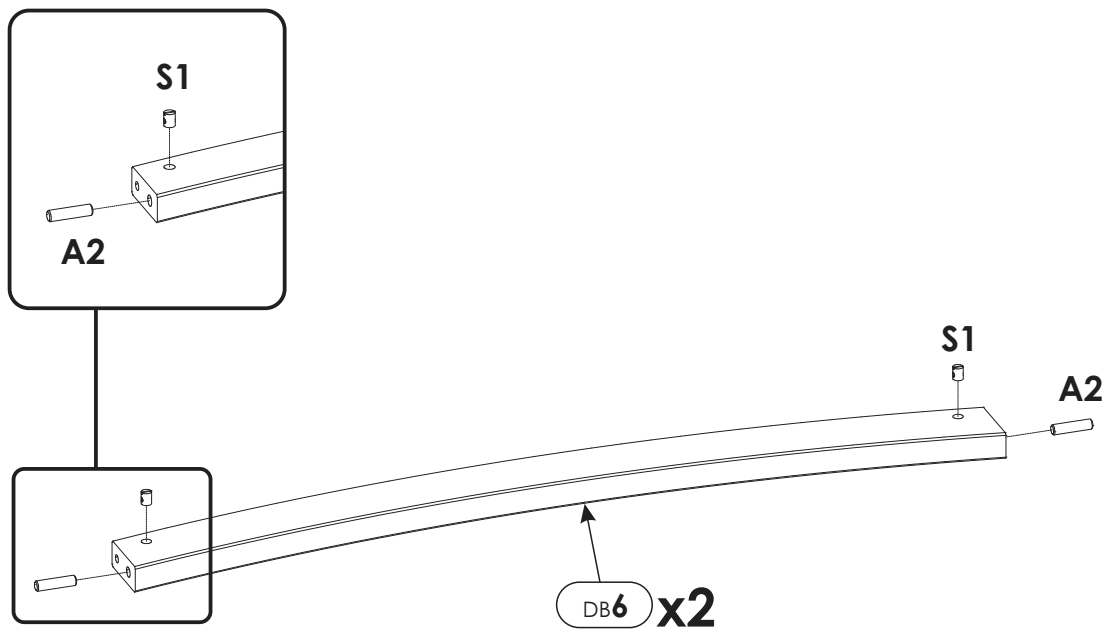
ALICJA

A2 akc_0002  10 x 40 mm x22	M akc_0005  x1	N1 akc_0006  6 x 80 mm x18
S1 akc_0008  10 x 16 mm x18	W1 akc_0009  3,5 x 40 mm x24	

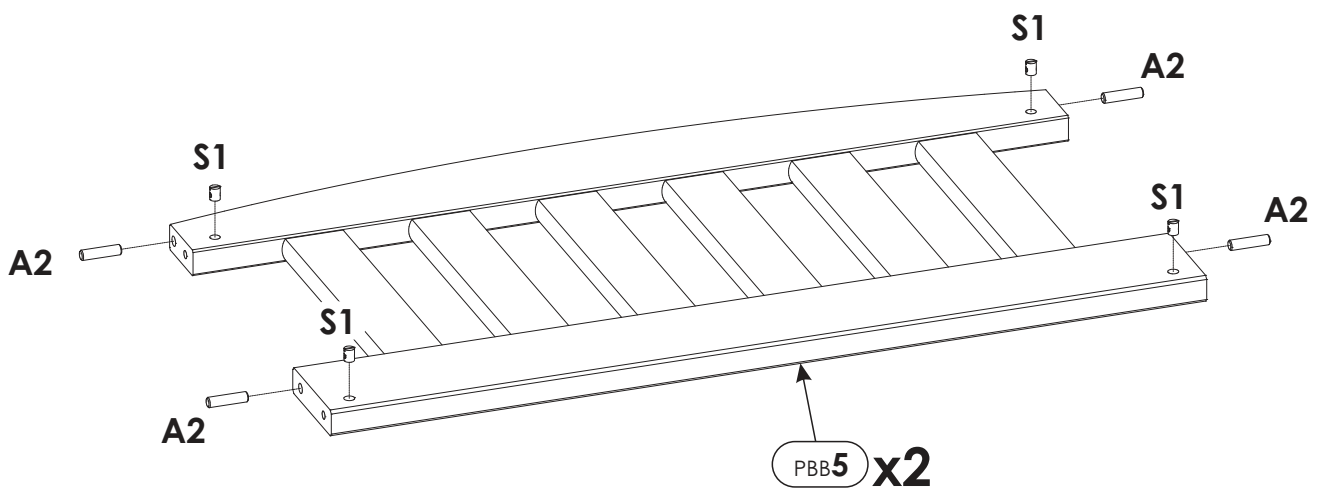
OPTION



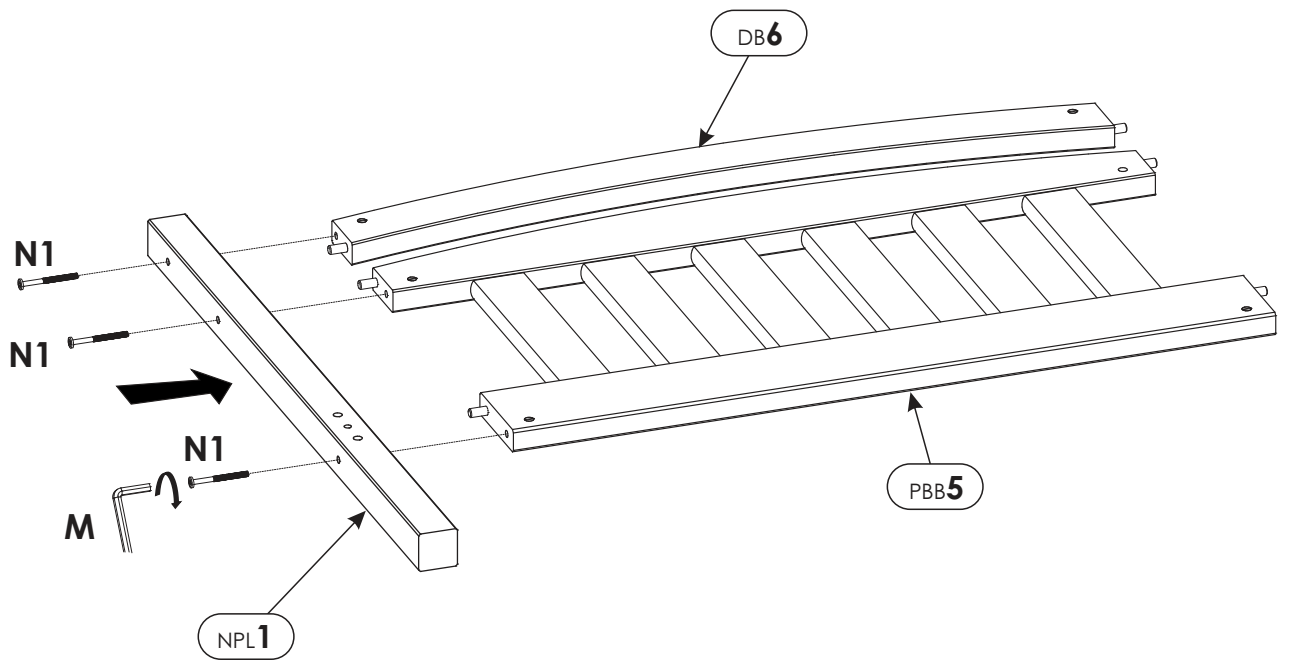
1.



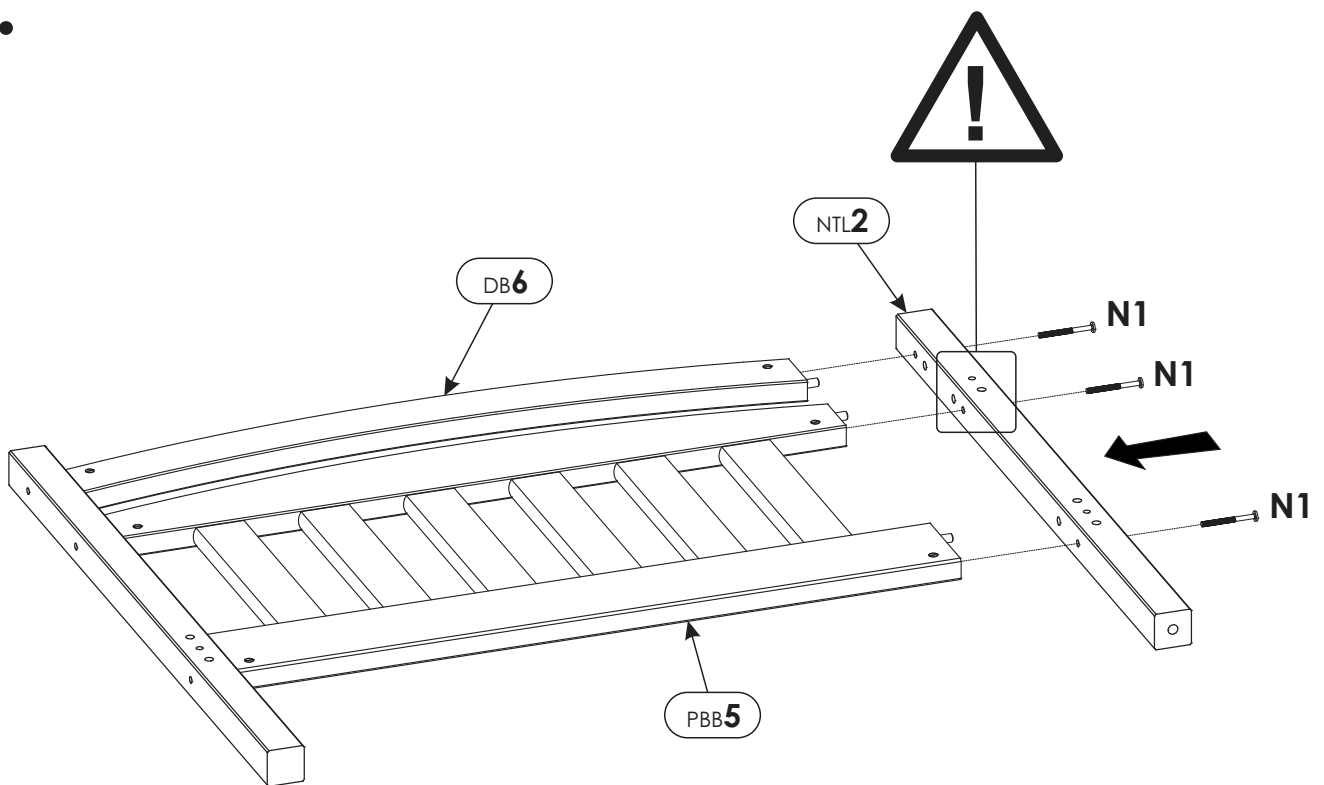
2.



3.

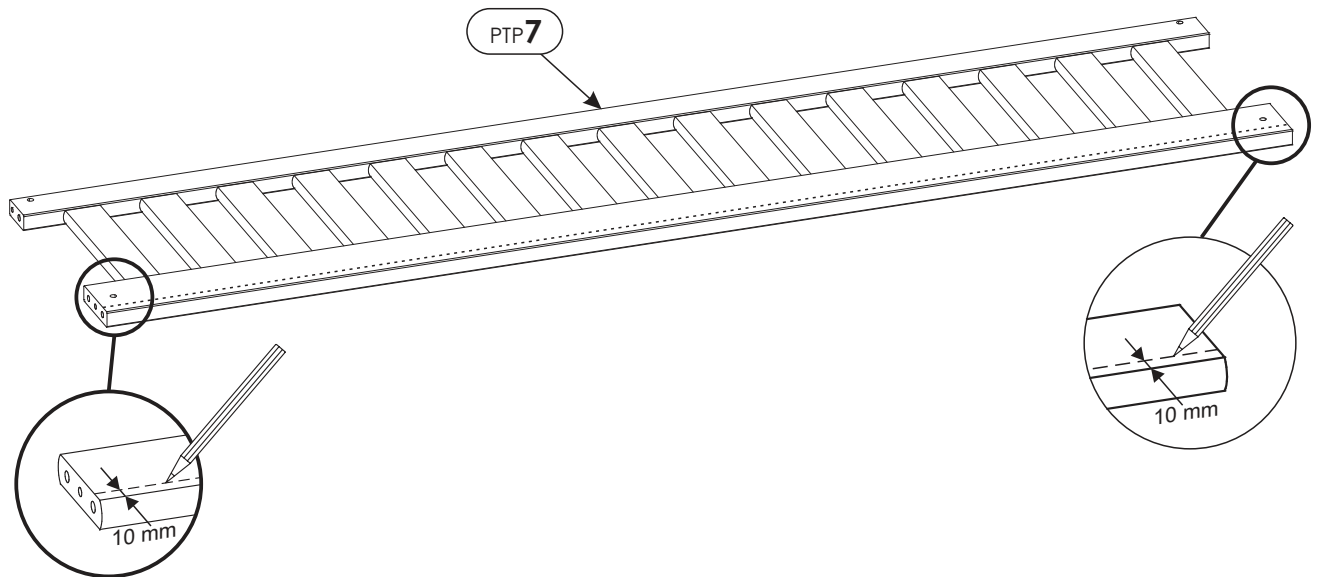


4.

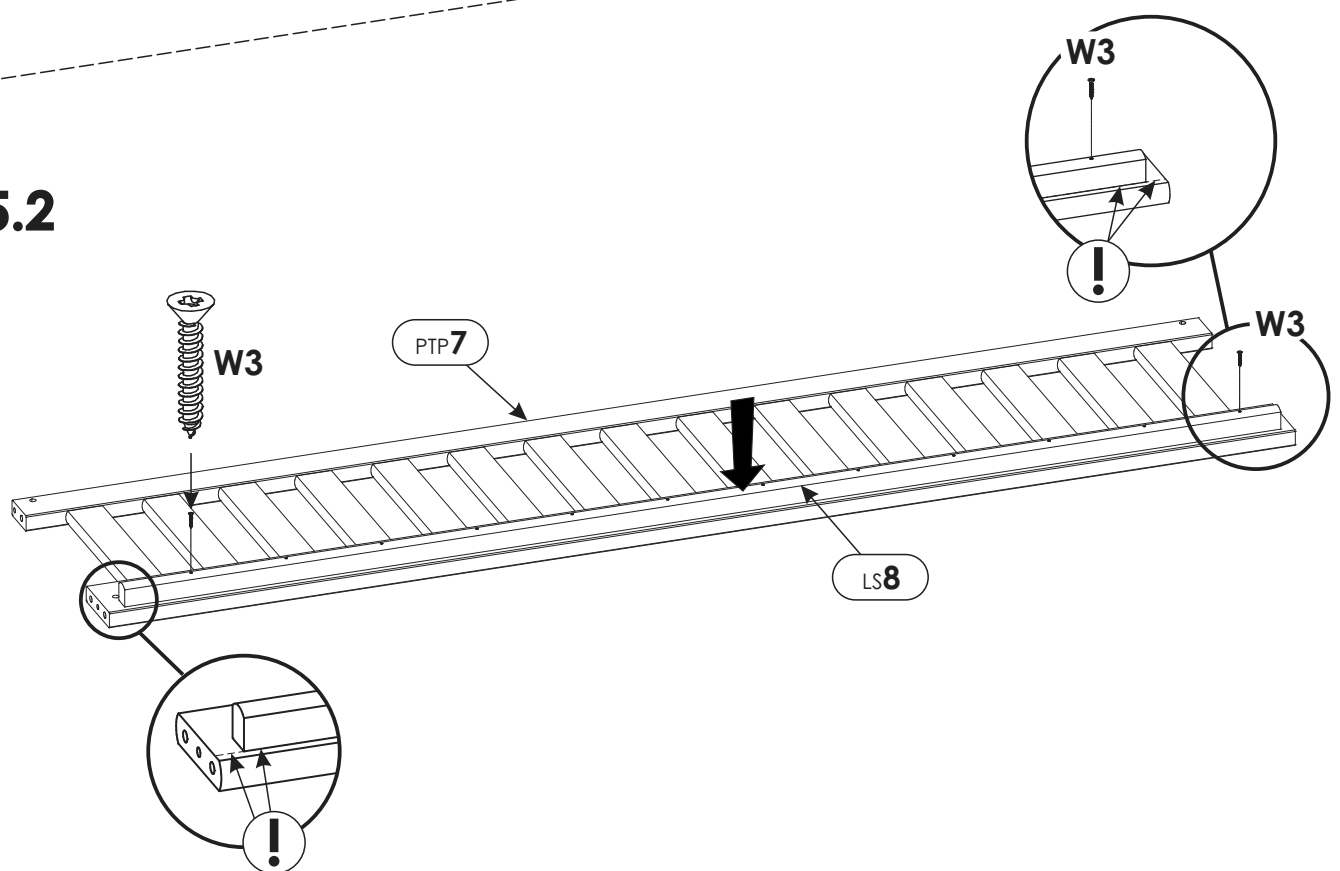


5.

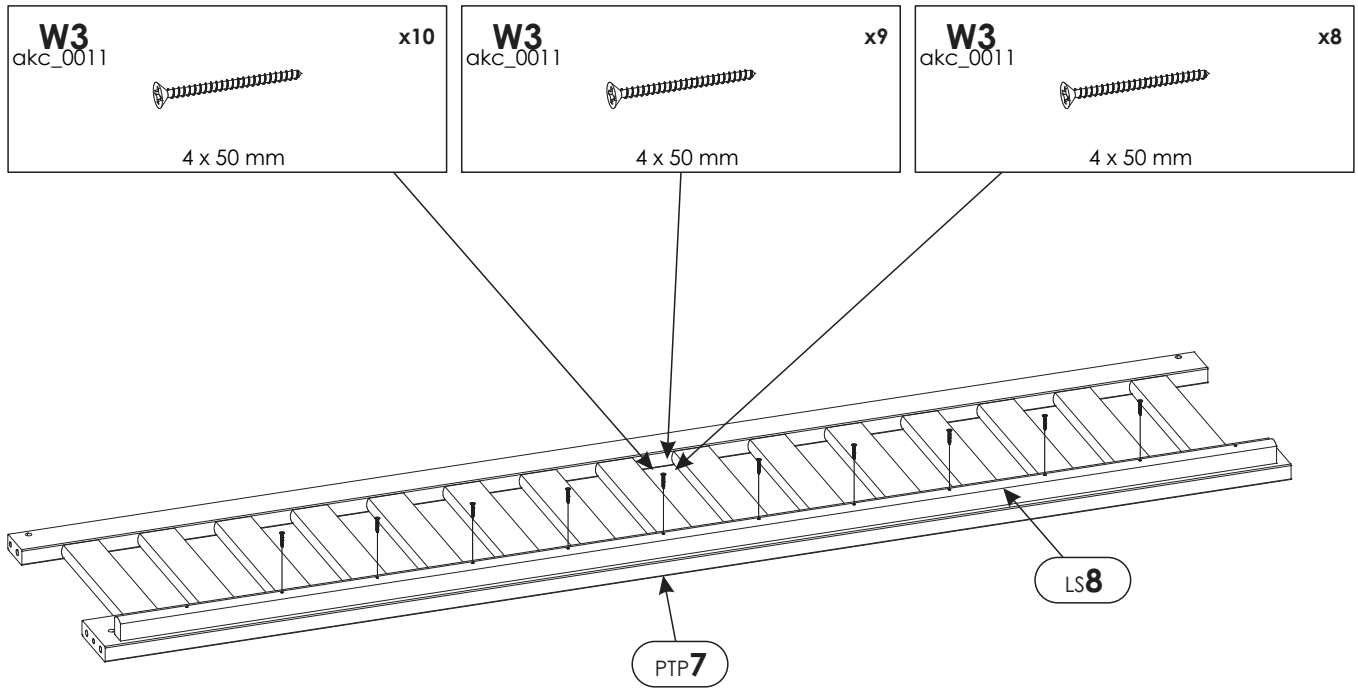
5.1



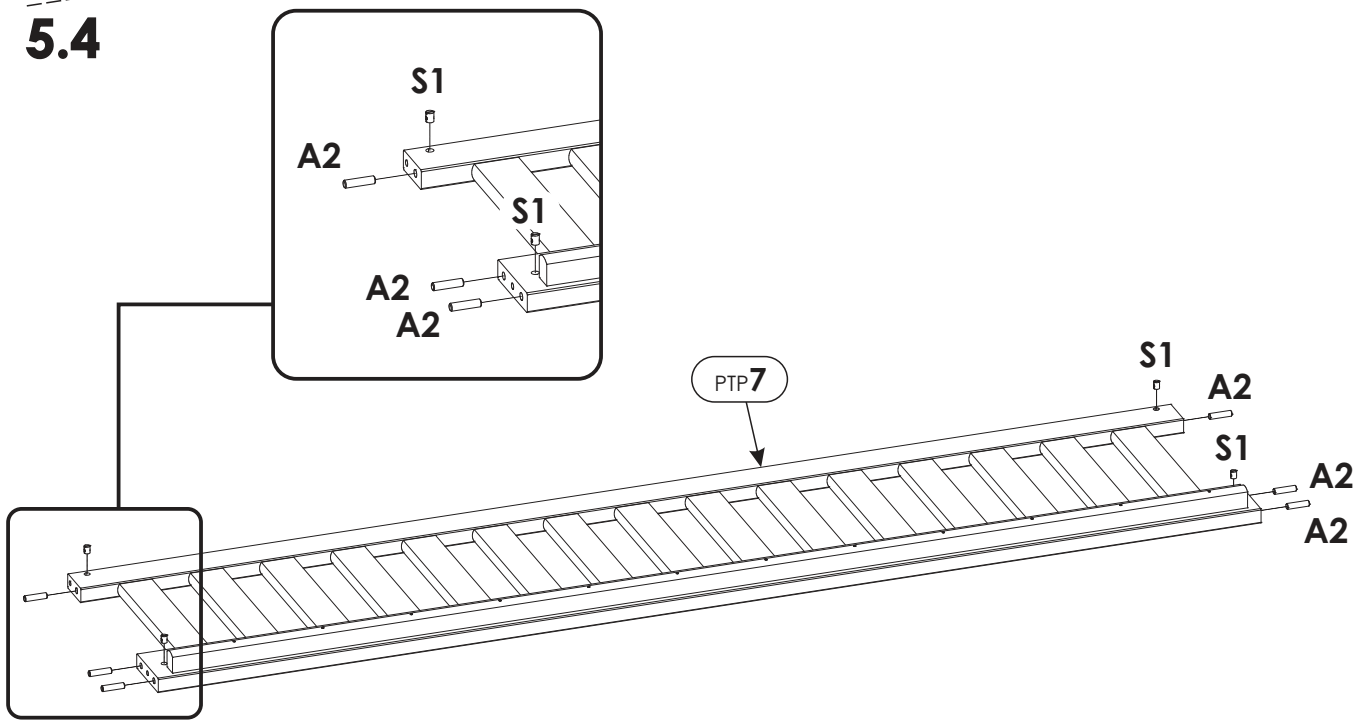
5.2



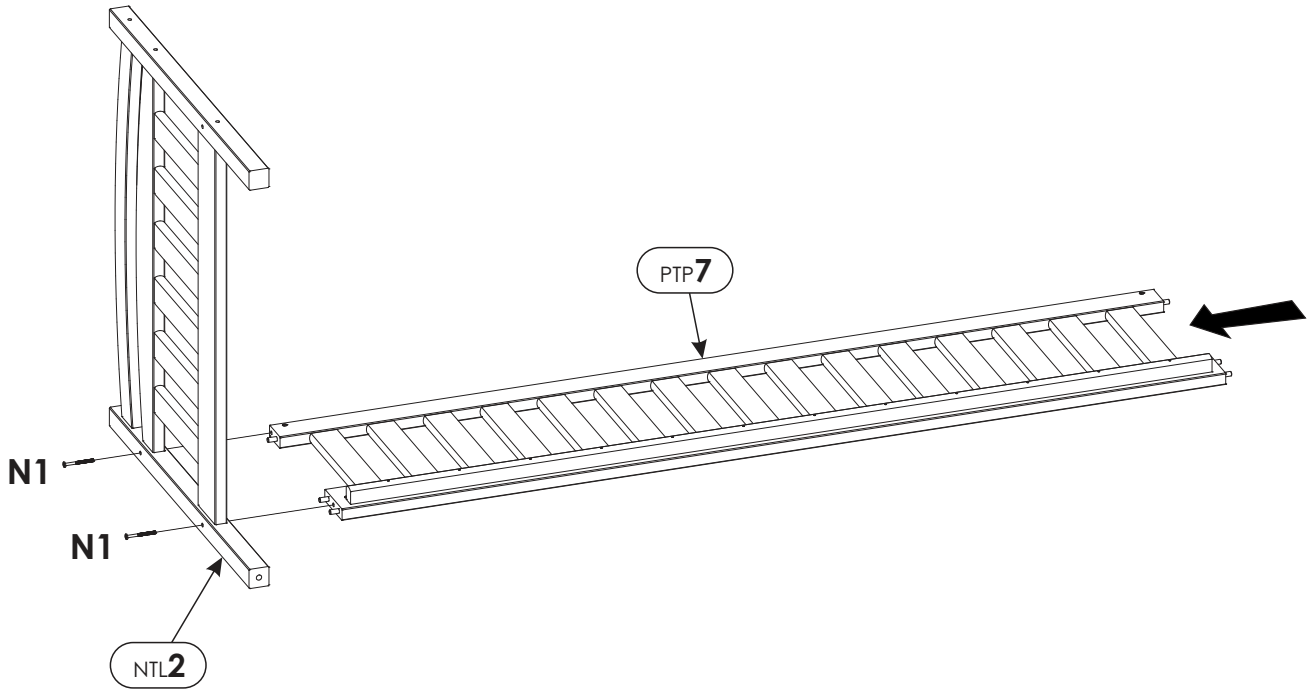

5.3



5.4

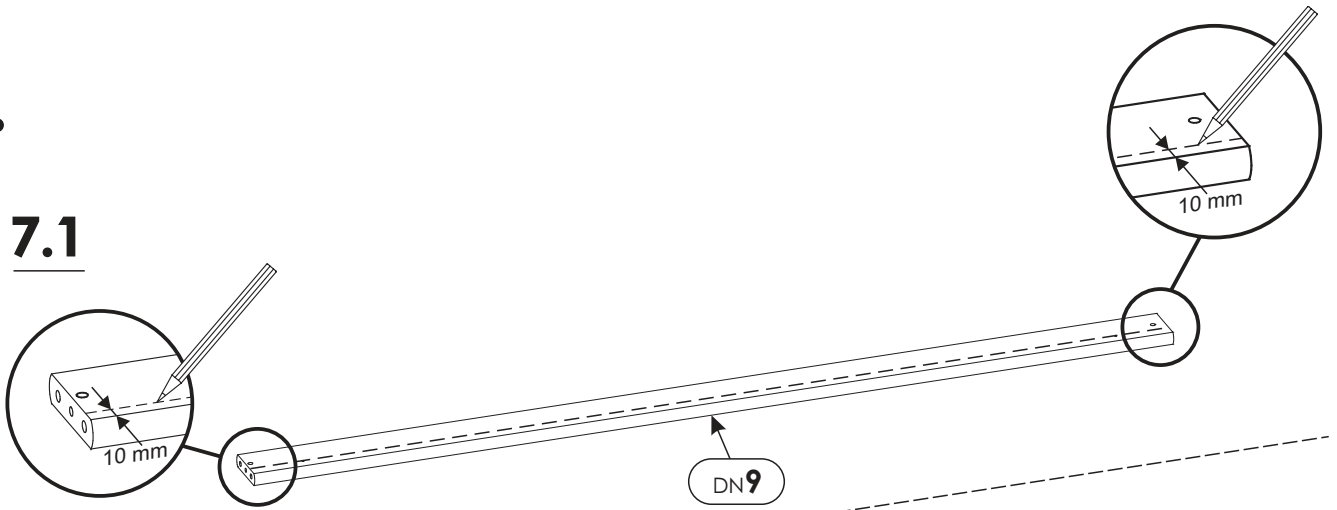


6.

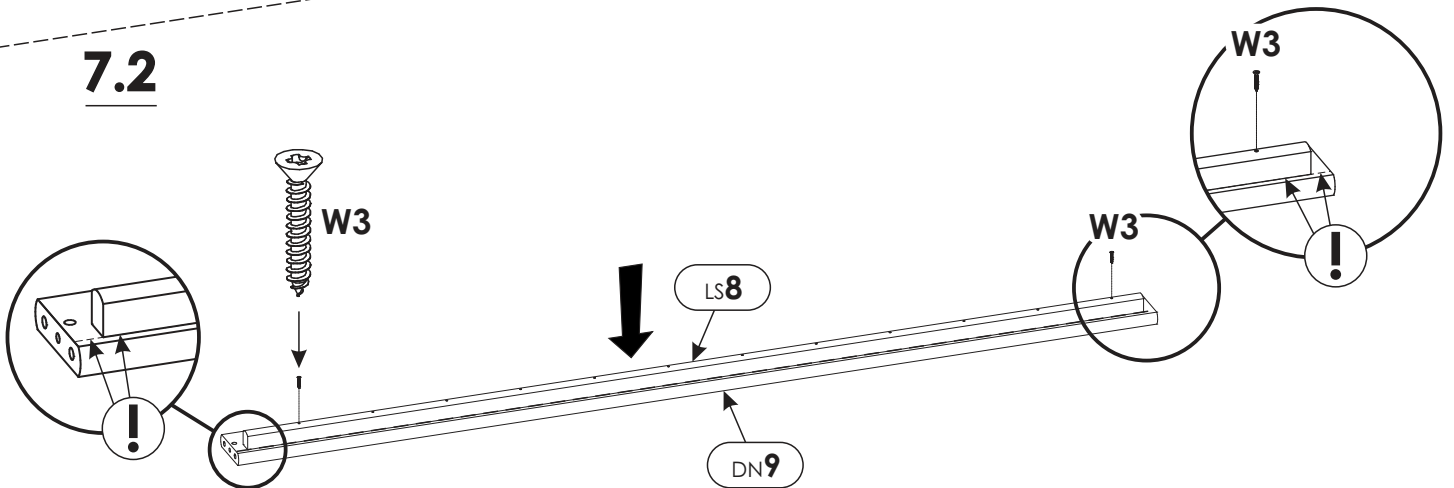


7.

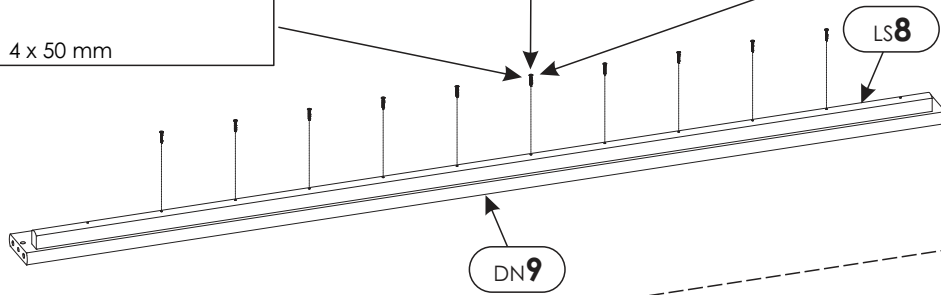
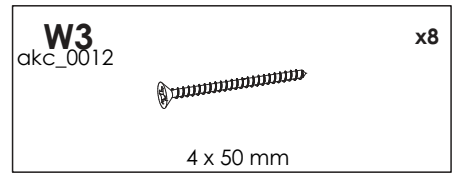
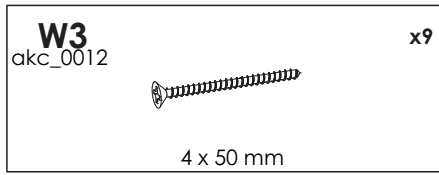
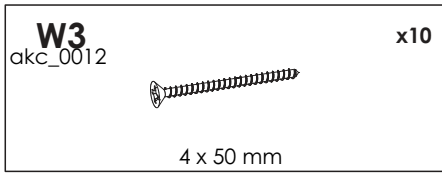
7.1



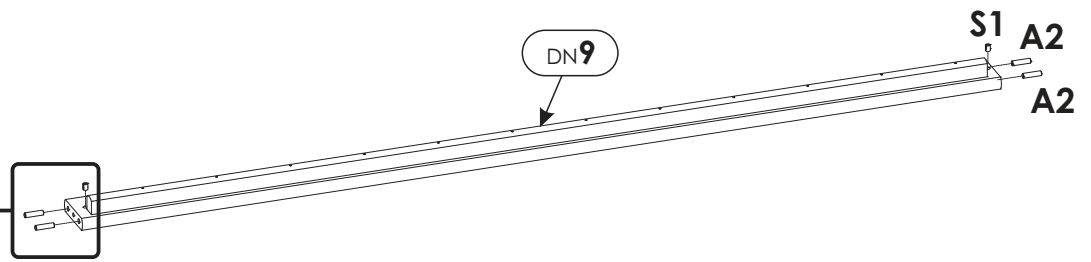
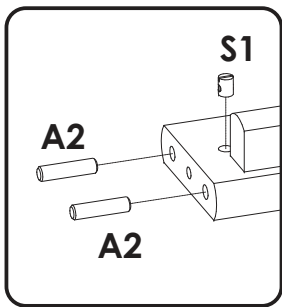
7.2



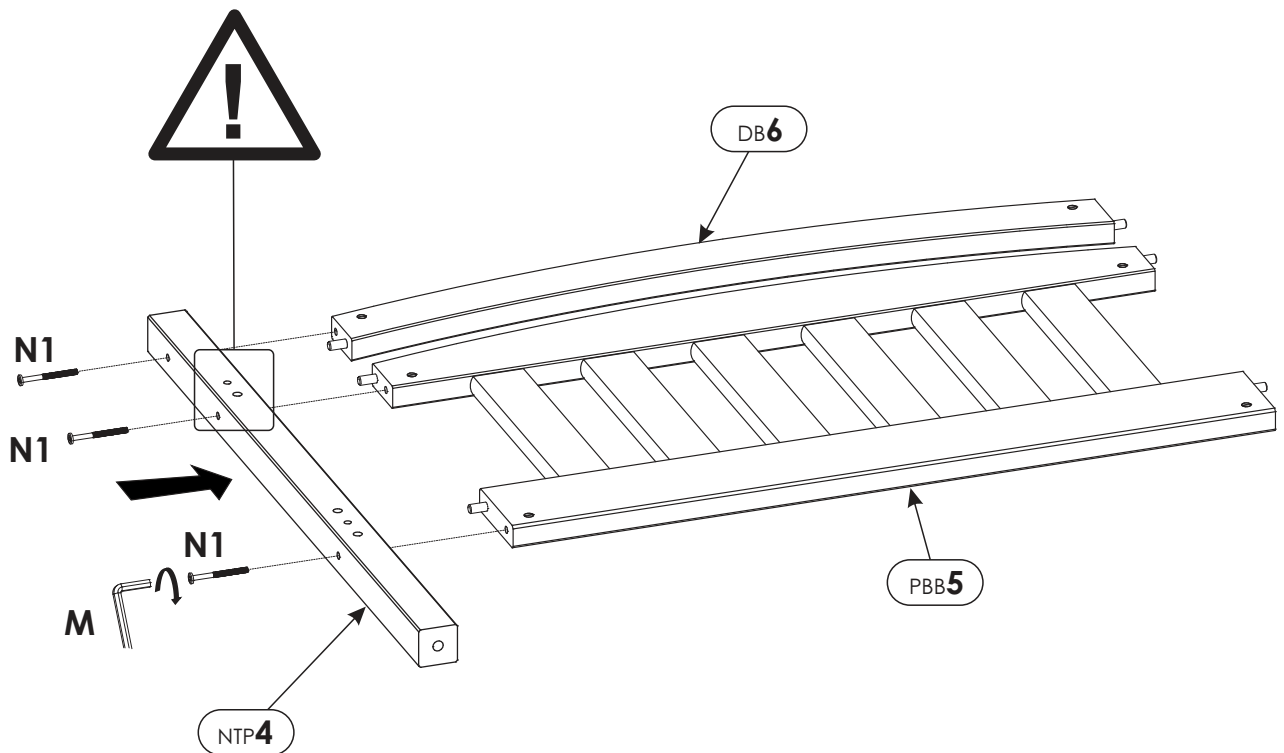
7.3



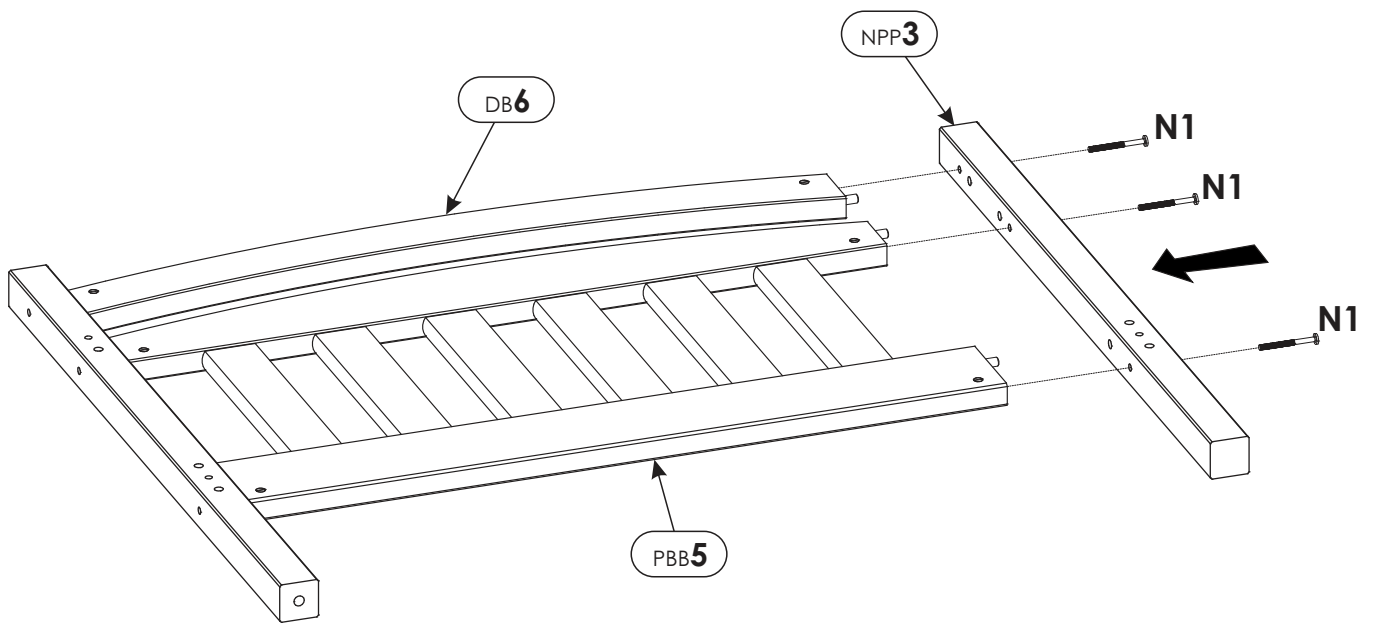
7.4



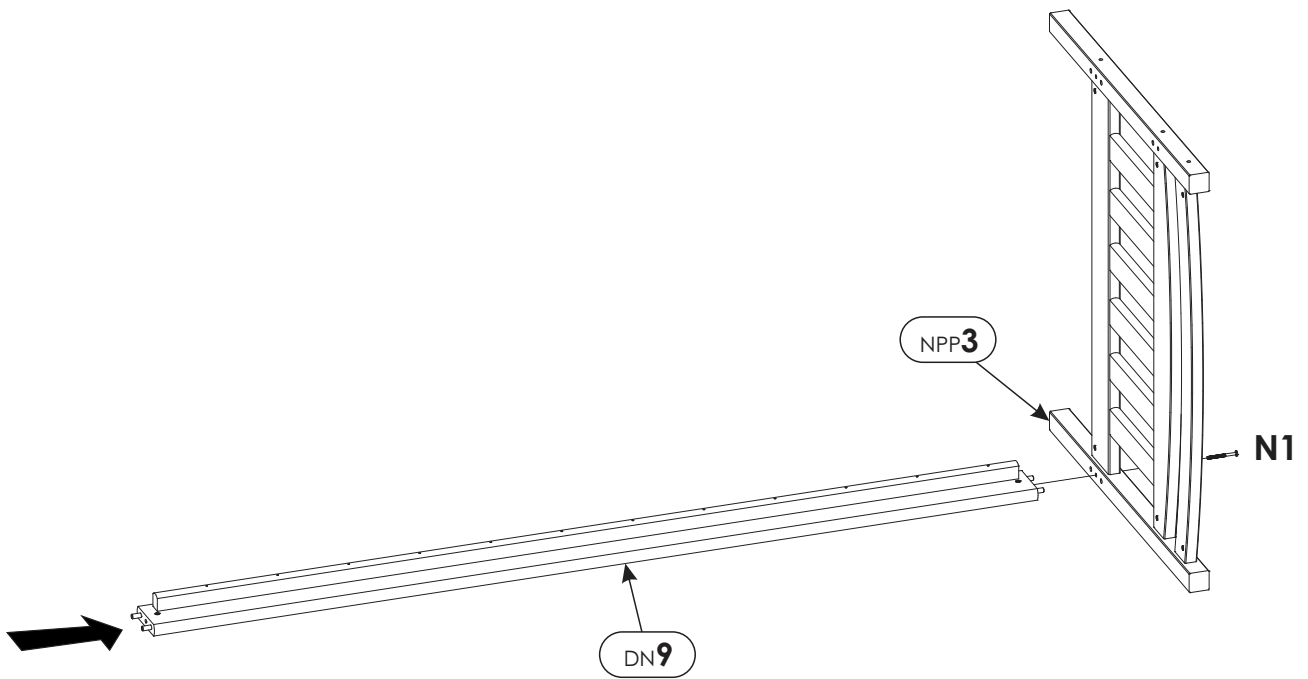
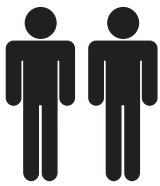
8.



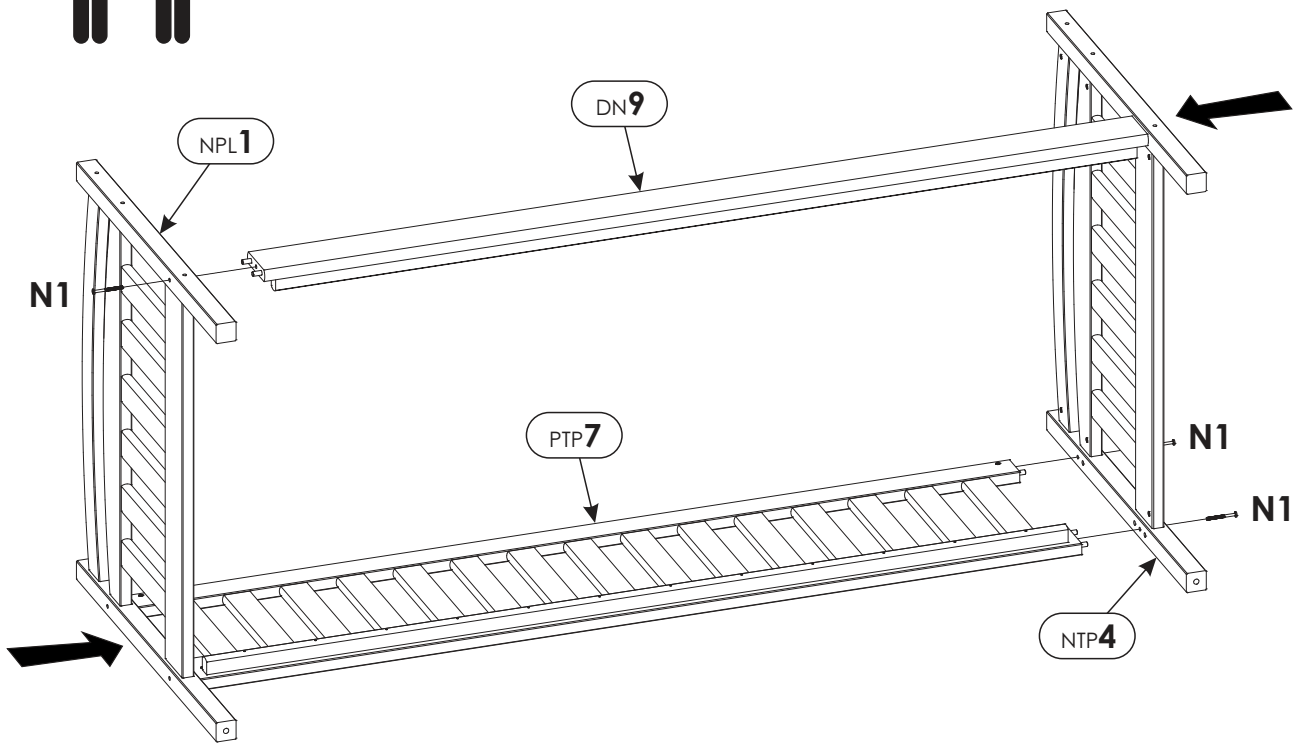
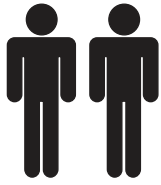
9.



10.



11.



12.

