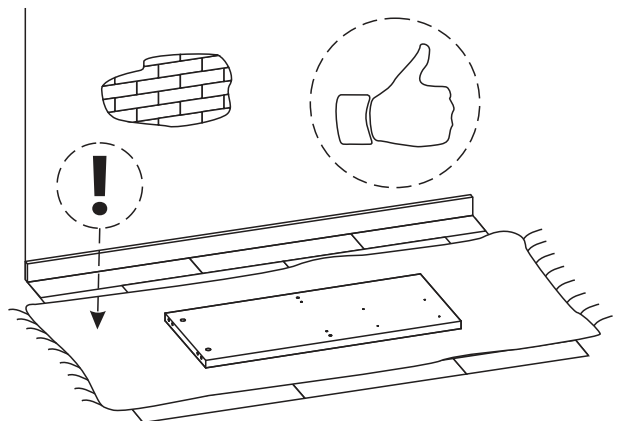
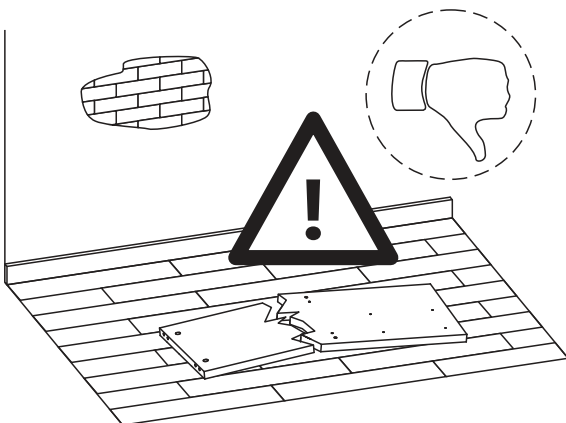
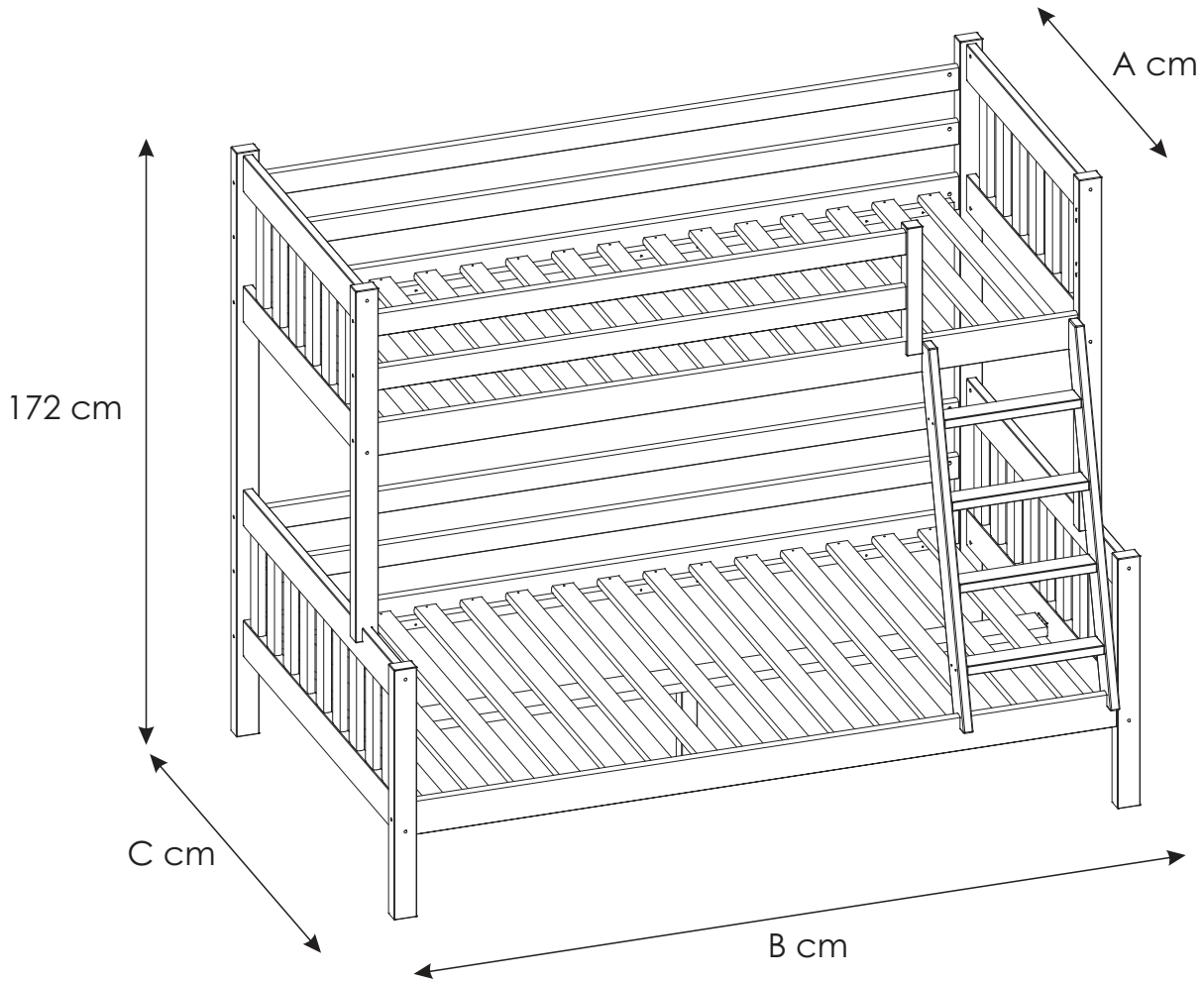
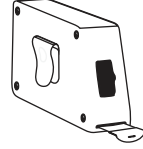
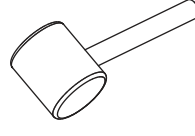
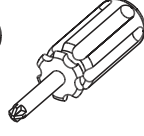
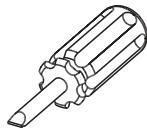
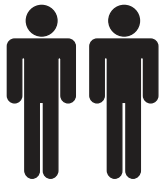
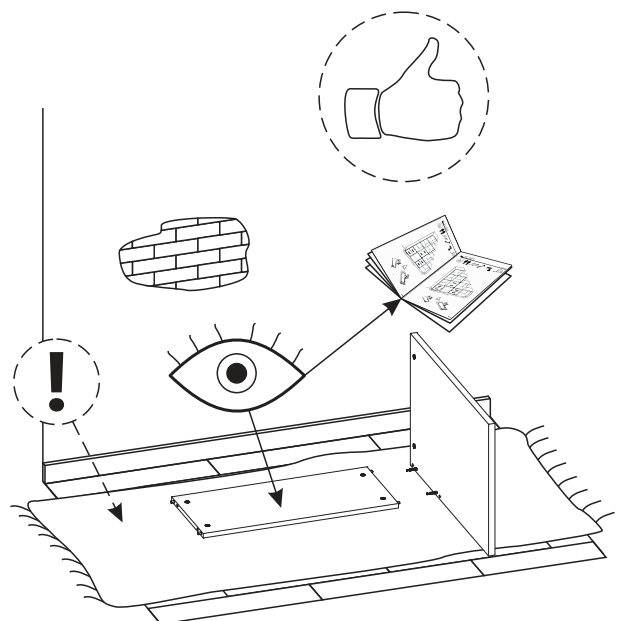
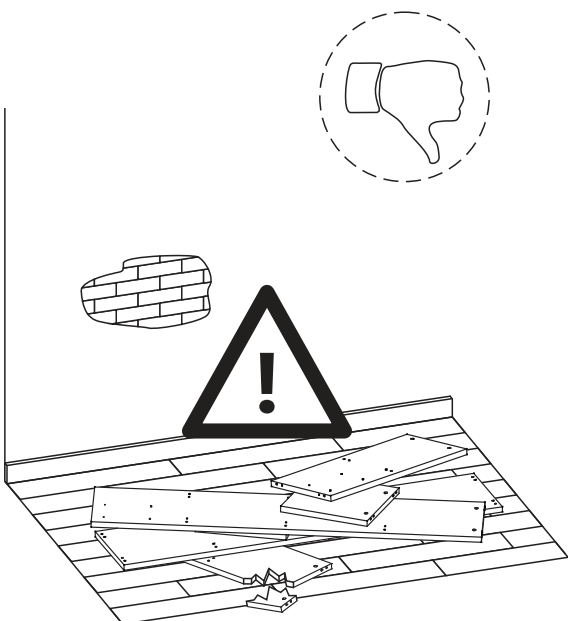
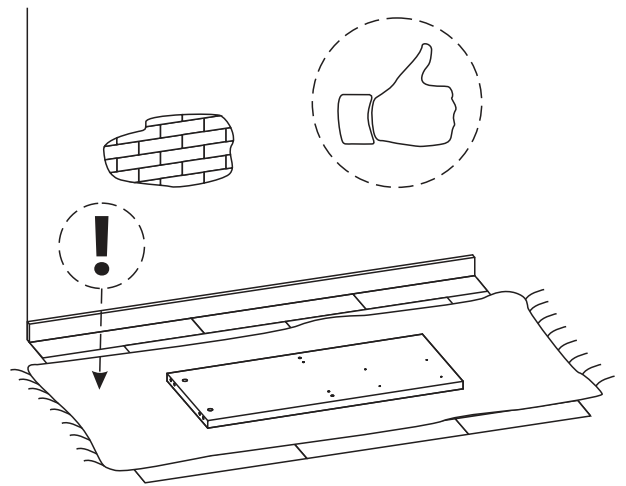


# JAKUB

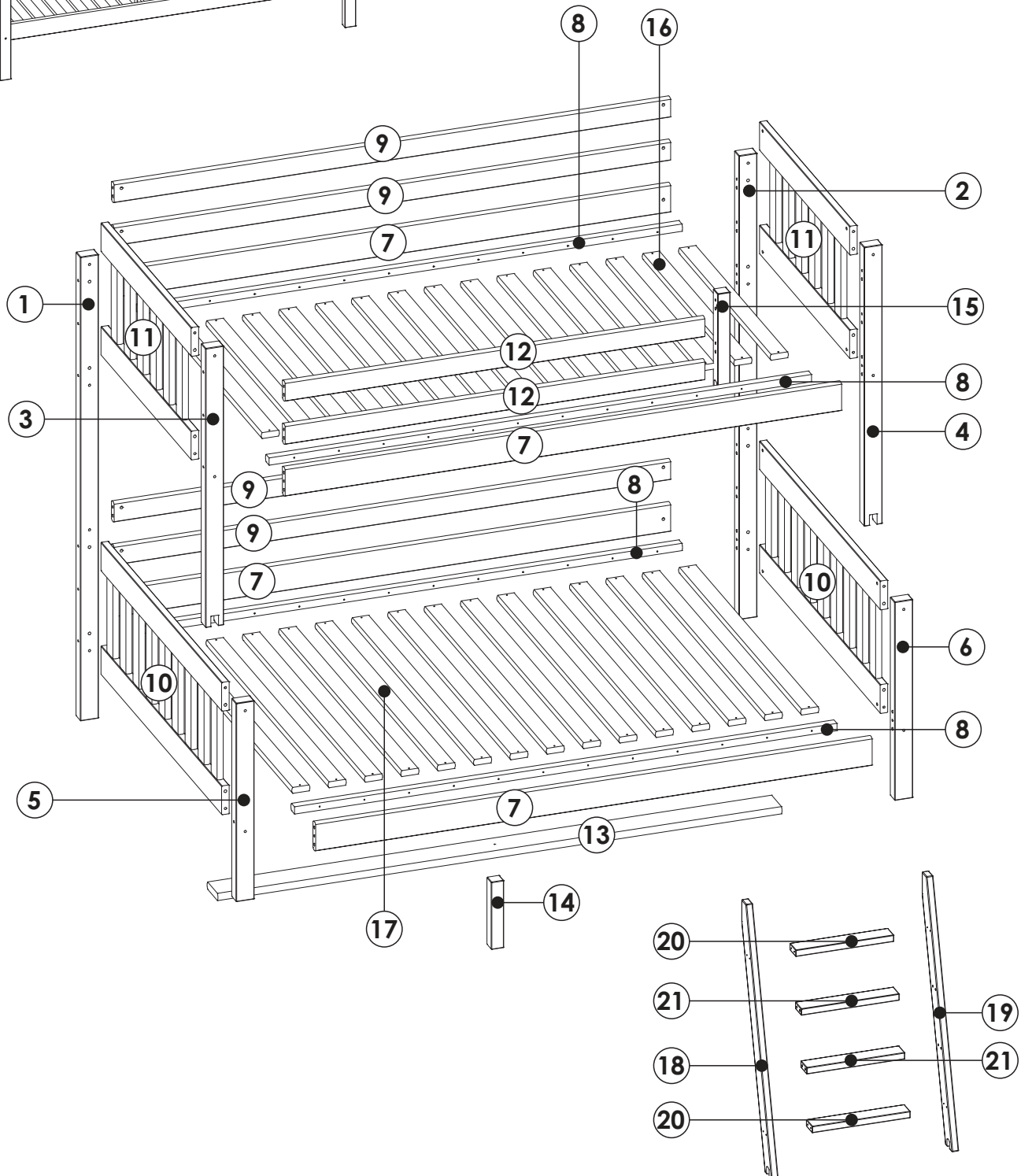
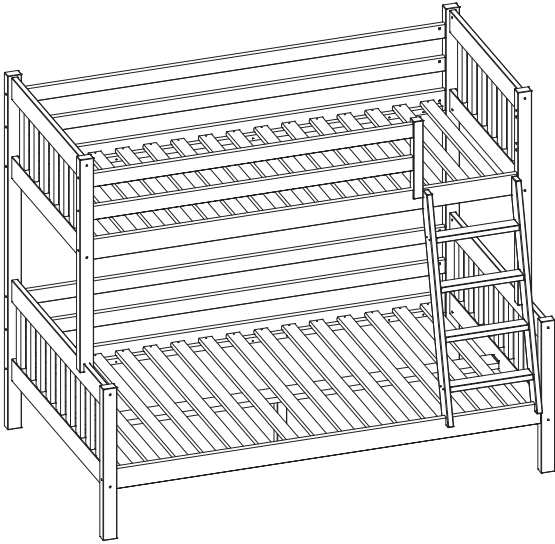


150 min





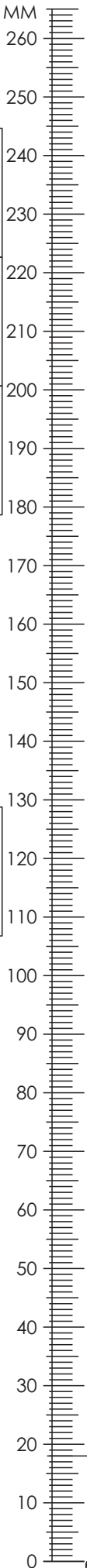
# JAKUB

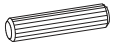
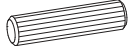


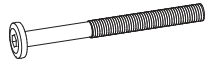
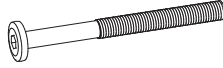



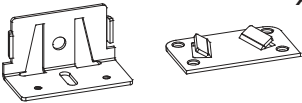


# JAKUB


JND1	1720	45	65	x1	JNDTL_02880
JND2	1720	45	65	x1	JNDTP_02890
JNG3	1035	45	65	x1	JNGPL_02900
JNG4	1035	45	65	x1	JNGPP_02010
JND5	736	45	65	x1	JNDPL_02860
JND6	736	45	65	x1	JNDPP_02870
DN7	1590,1790,1890,1990	107	27	x4	DN_00110
LS8	1540,1740,1840,1940	35	27	x4	LS_00160
DW9	1590,1790,1890,1990	75	27	x4	DW75_00930
DP10	1185, 1385	491	27	x2	DP_00480 PS_00470
DP11	785, 885	491	27	x2	DP_00480 PS_00470
DW12	1101,1301,1401, 1501	75	27	x2	DW75_00930
DPS13	1617,1817,1917, 2017	107	27	x1	DPS_00150
PNP14	250	45	45	x1	PNP_00050
WP15	376	45	45	x1	WPDW_02240
DDS18	1062, 1098, 1143, 1195	75	27	x1	DDSIL_00190
DDS19	1062, 1098, 1143, 1195	75	27	x1	DDSIP_00200
DSS20	390	65	27	x2	DSS_00210
DSK21	390	65	27	x2	DSK_00220


# JAKUB



<p><b>A1</b> akc_0001</p>  <p>8 x 35 mm</p> <p style="text-align: right;"><b>x8</b></p>	<p><b>A2</b> akc_0002</p>  <p>10 x 40 mm</p> <p style="text-align: right;"><b>x44</b></p>	<p><b>K1</b> akc_0004</p>  <p>6,4 x 50 mm</p> <p style="text-align: right;"><b>x8</b></p>
<p><b>M</b> akc_0005</p>  <p style="text-align: right;"><b>x1</b></p>	<p><b>N1</b> akc_0006</p>  <p>6 x 80 mm</p> <p style="text-align: right;"><b>x18</b></p>	<p><b>N2</b> akc_0007</p>  <p>6 x 100 mm</p> <p style="text-align: right;"><b>x18</b></p>
<p><b>S1</b> akc_0008</p>  <p>10 x 16 mm</p> <p style="text-align: right;"><b>x36</b></p>	<p><b>W2</b> akc_0010</p>  <p>4 x 25 mm</p> <p style="text-align: right;"><b>x12</b></p>	<p><b>W4</b> akc_0012</p>  <p>4 x 60 mm</p> <p style="text-align: right;"><b>x3</b></p>
<p><b>Z4</b> akc_0013</p>  <p style="text-align: right;"><b>x2</b></p>		

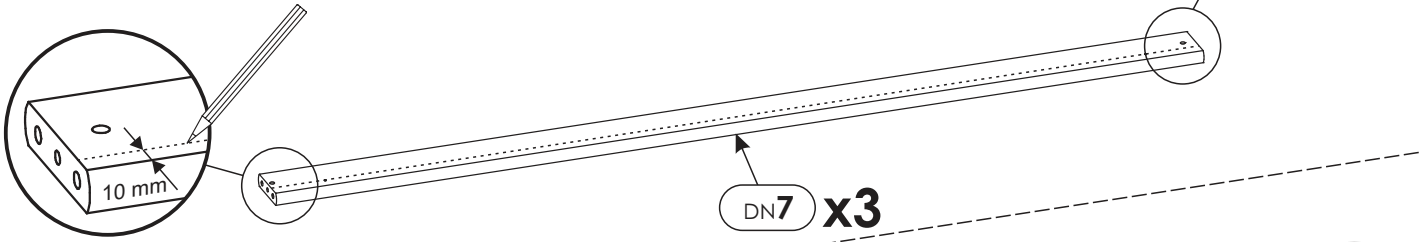
----- **OPTION** -----

<p><b>W1</b> akc_0009</p>  <p>3,5 x 40 mm</p> <p style="text-align: right;"><b>48 &lt; x &lt; 60</b></p>
---

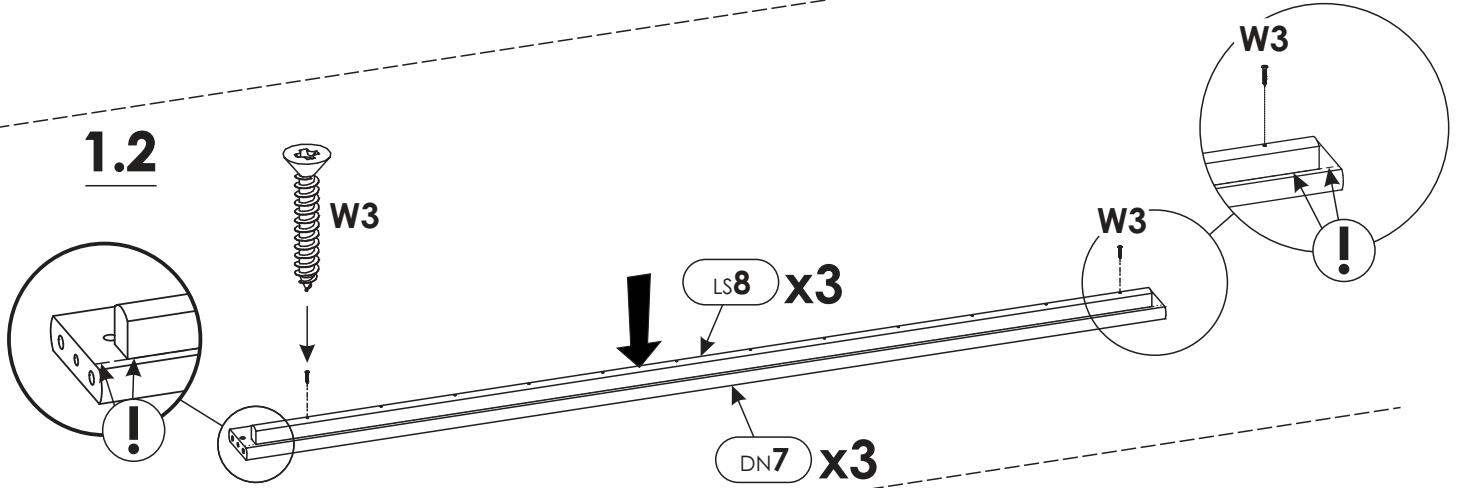
<p><b>W3</b> akc_0011</p>  <p>4 x 50 mm</p> <p style="text-align: right;"><b>40 &lt; x &lt; 48</b></p>
---

# 1.

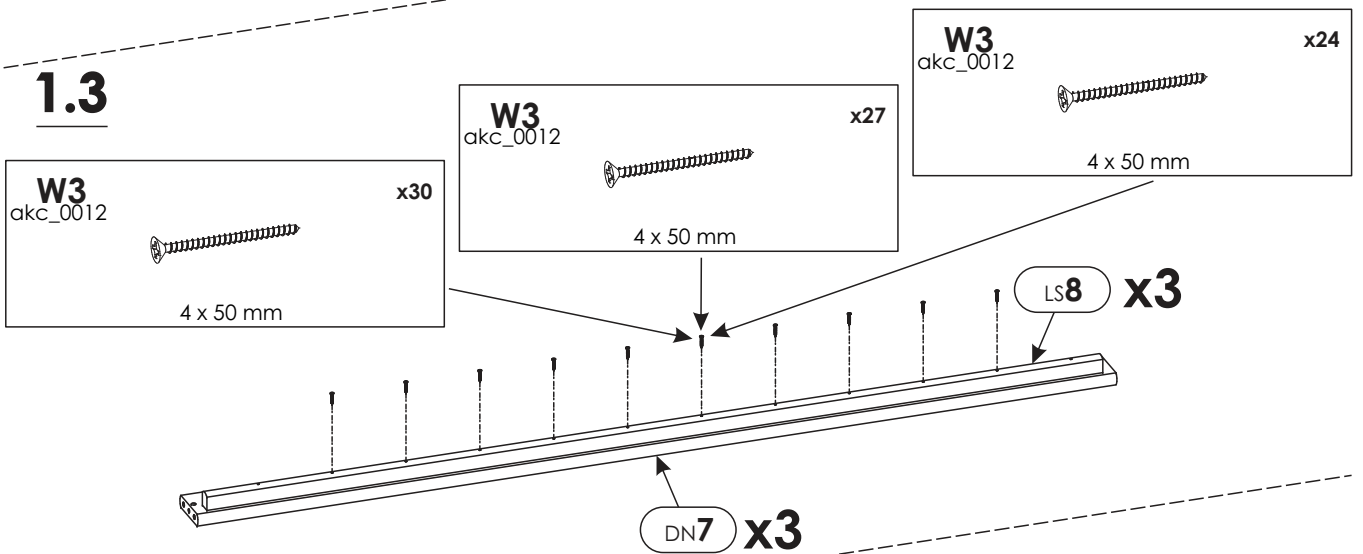
## 1.1



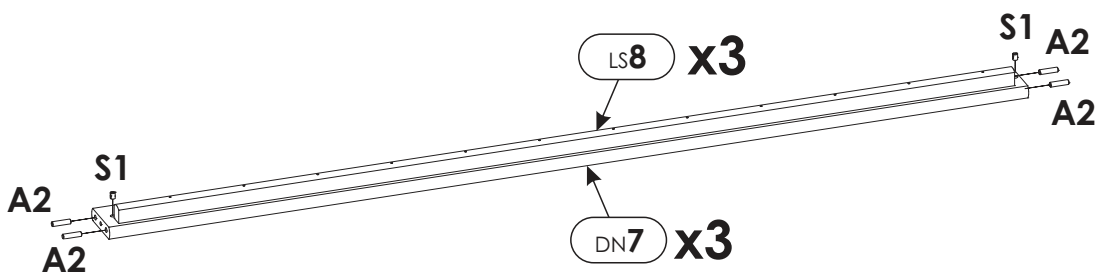
## 1.2



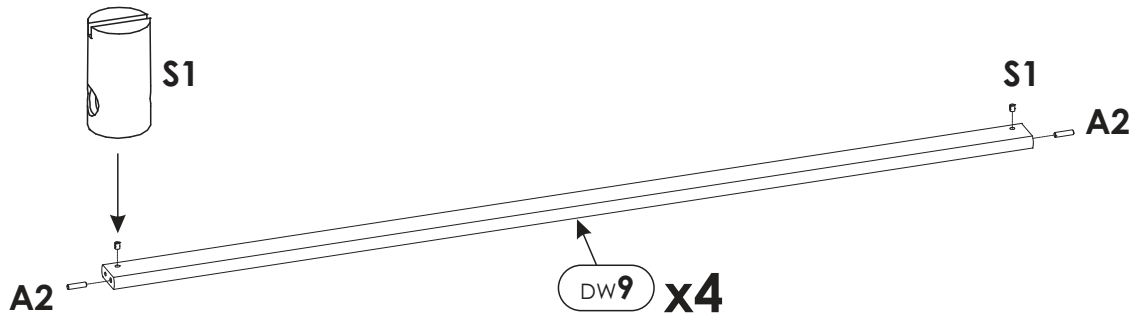
## 1.3



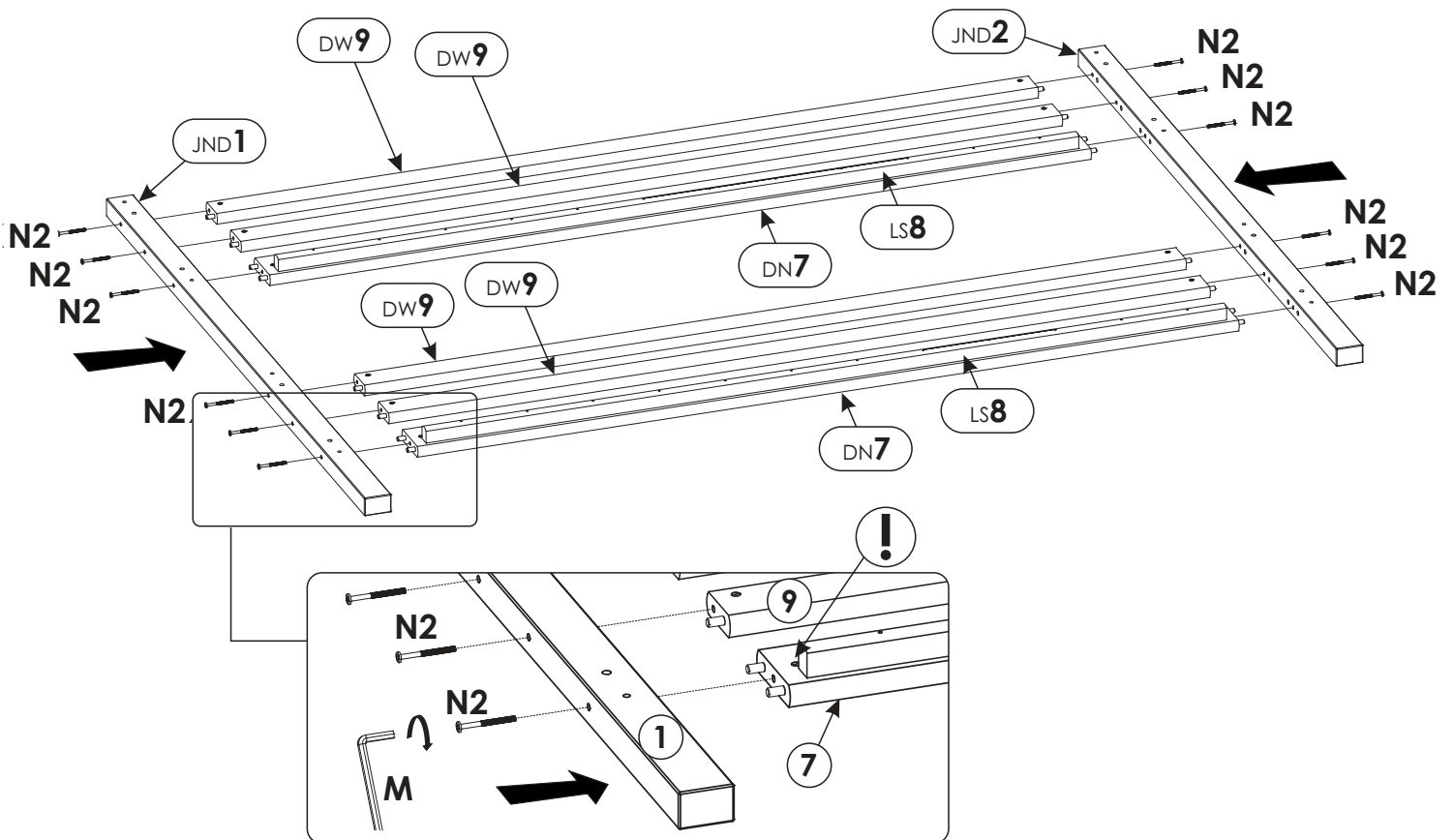
## 1.4



# 2.

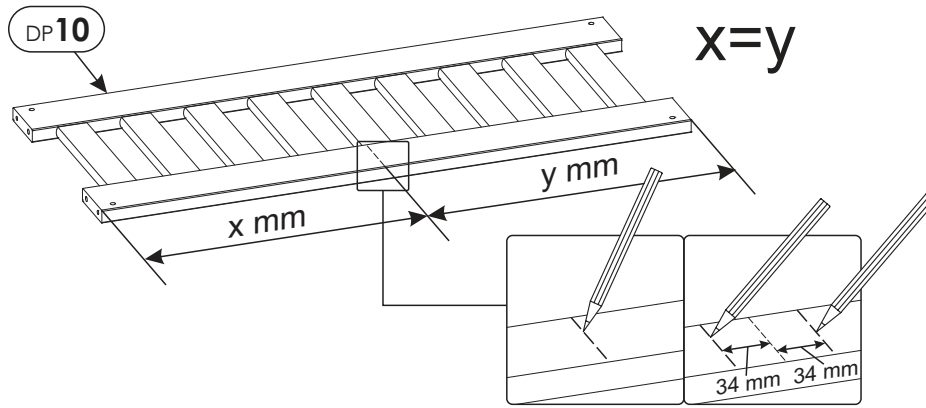


# 3.

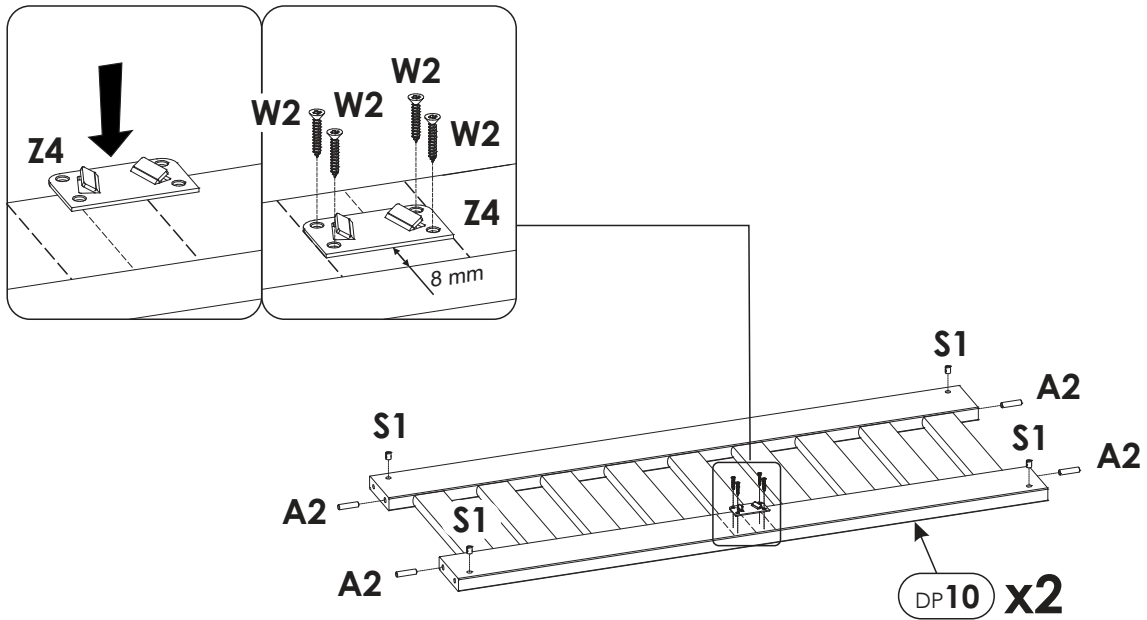


# 4.

## 4.1

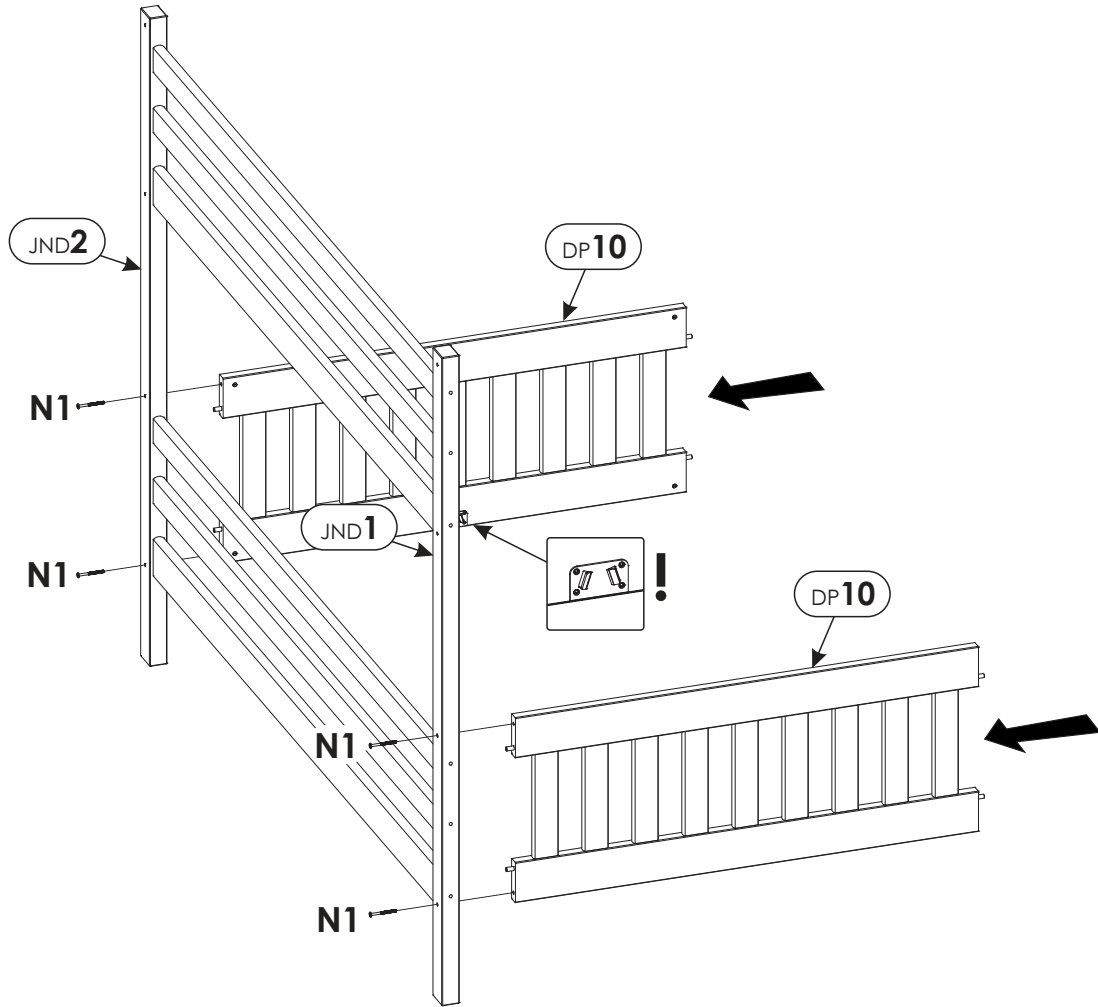


## 4.2

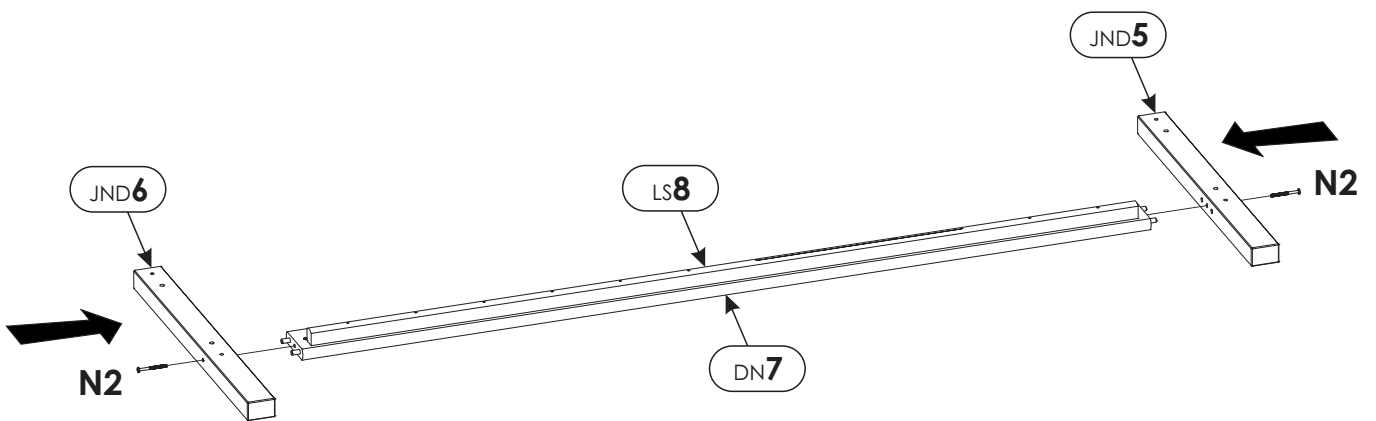




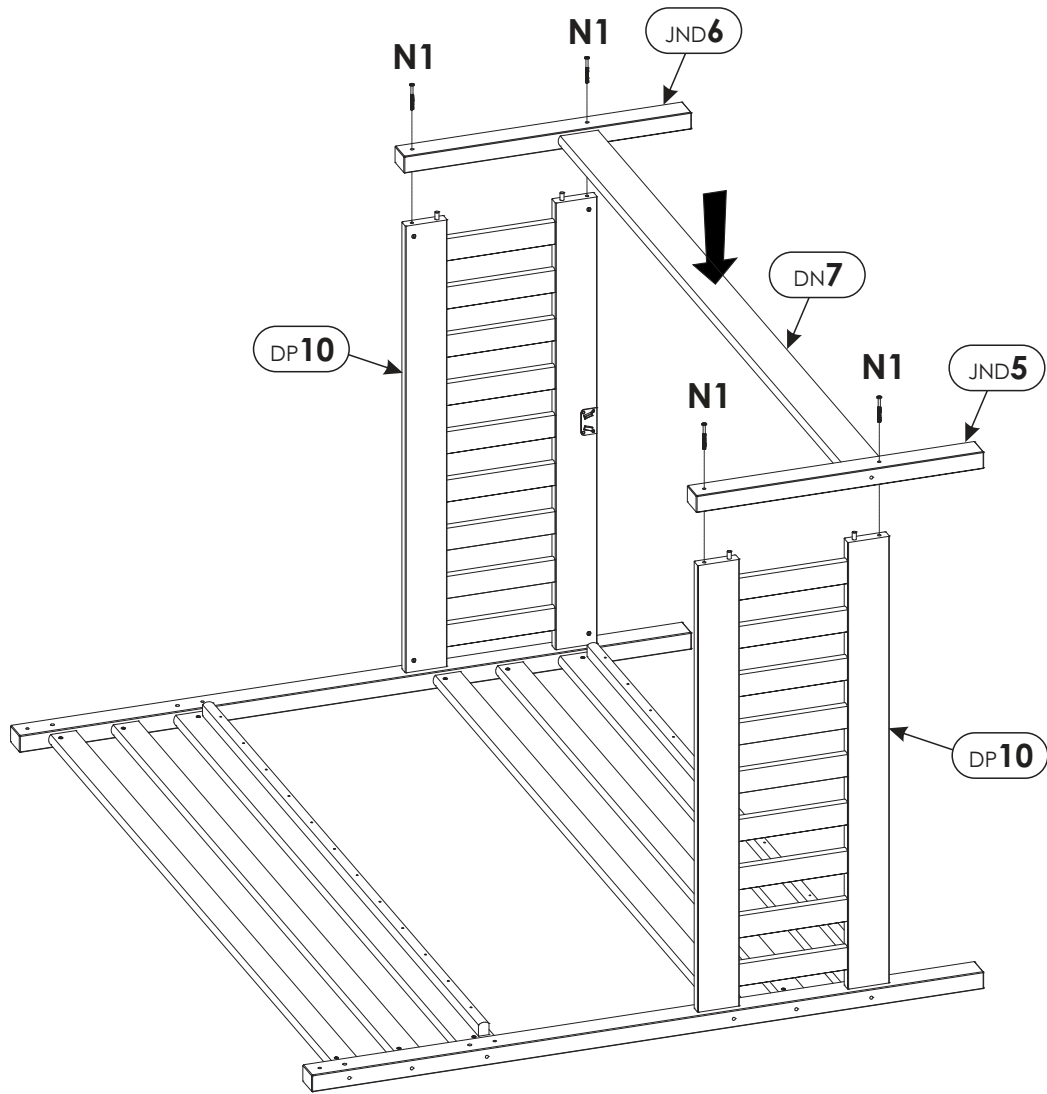
5.



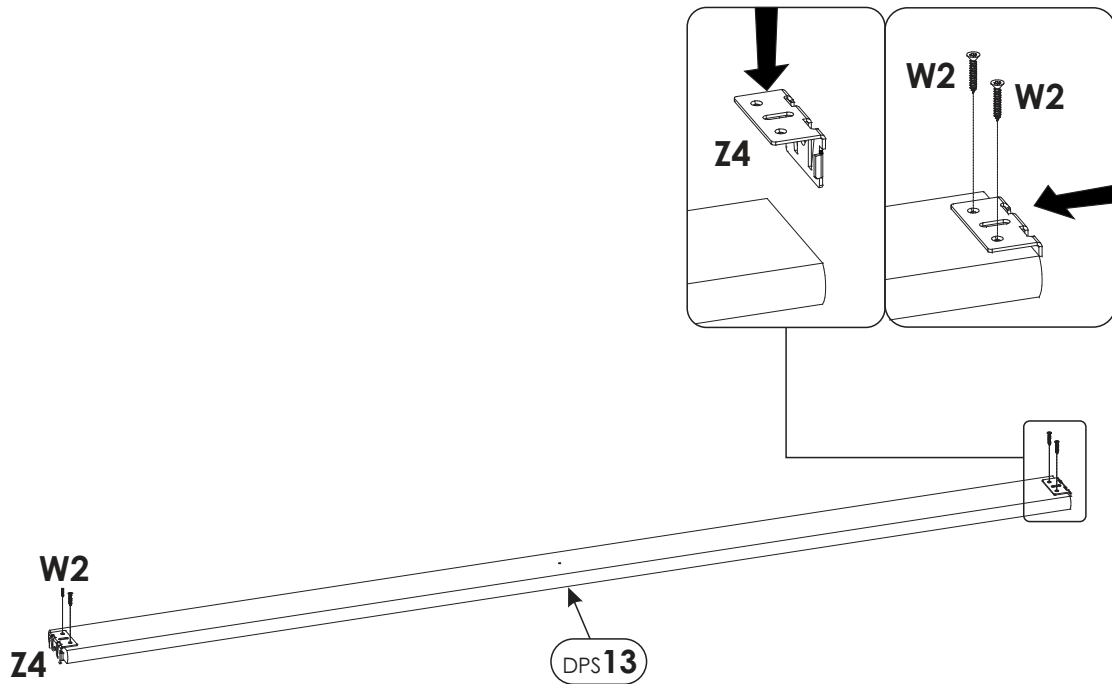
6.



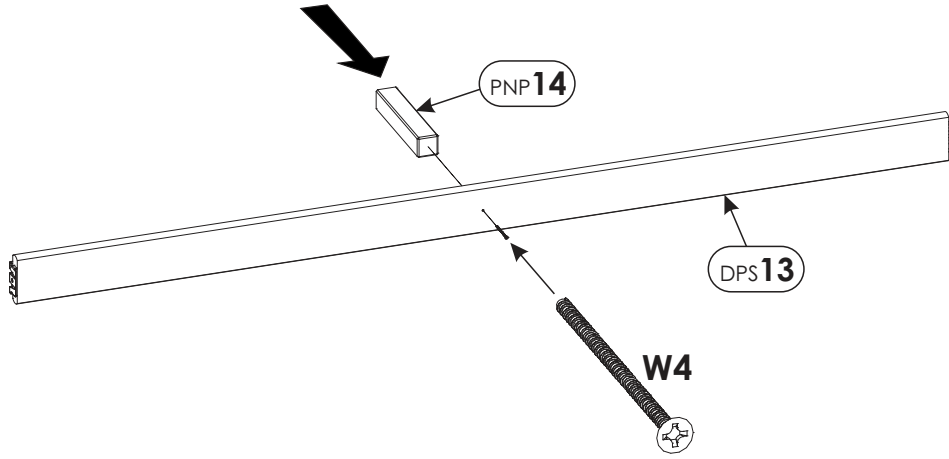
7.



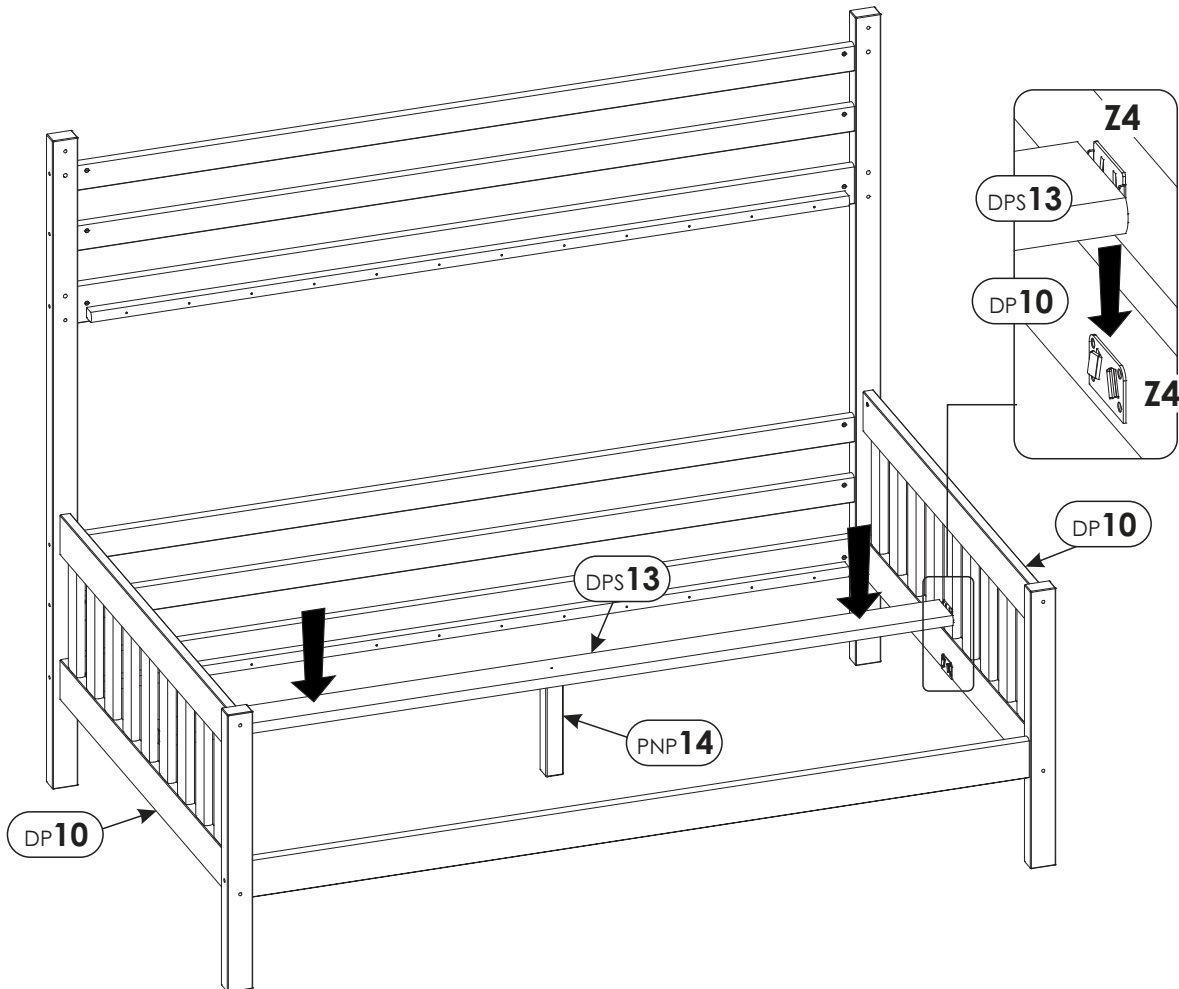
8.



9.

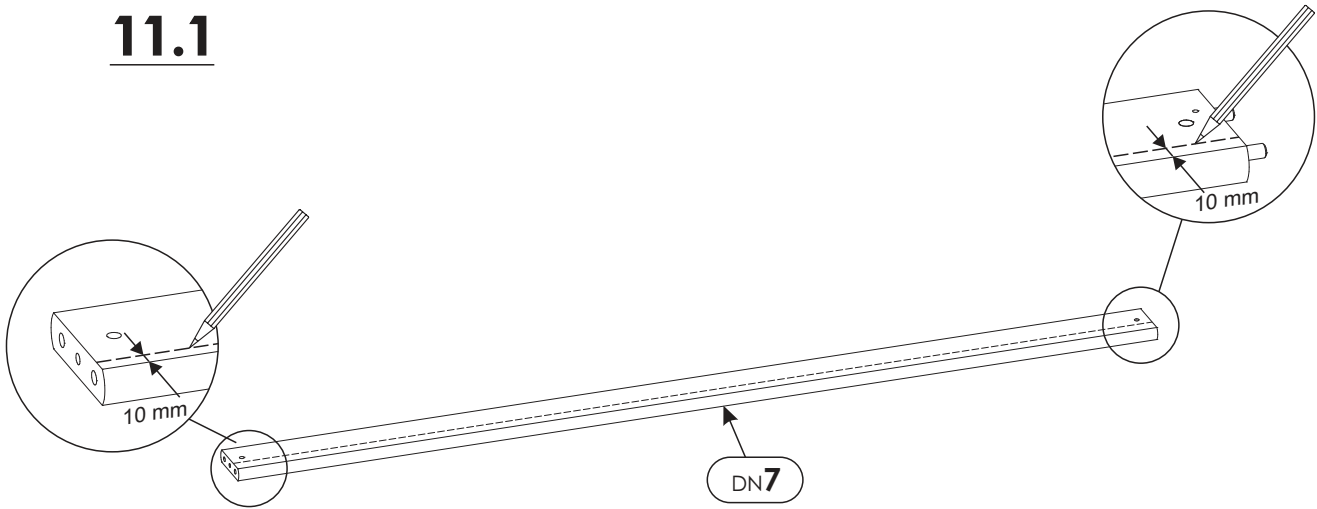


10.

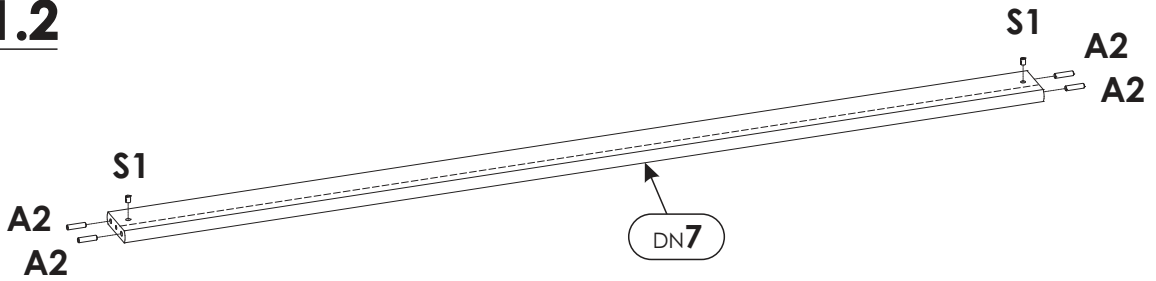


# 11.

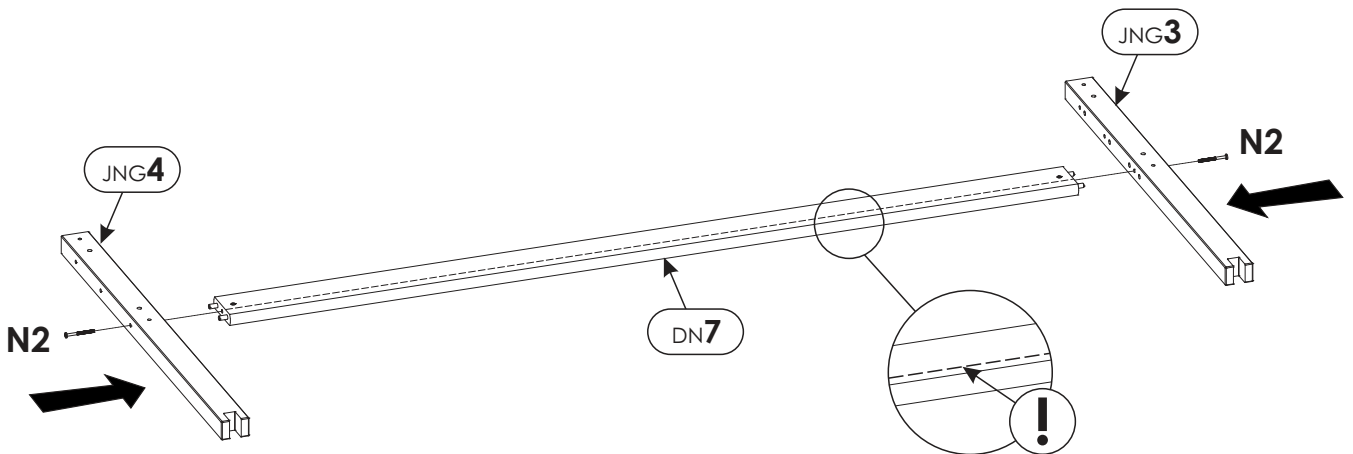
## 11.1



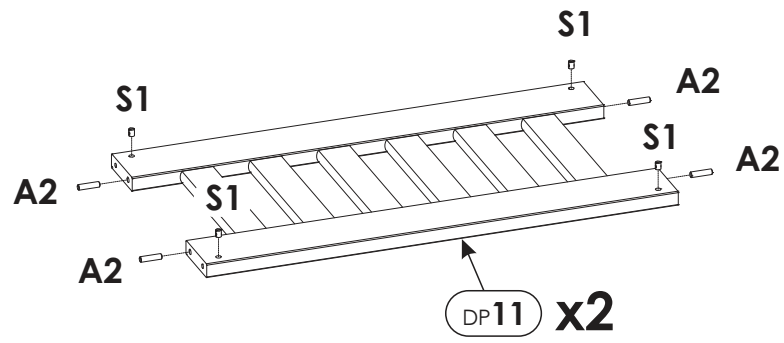
## 11.2



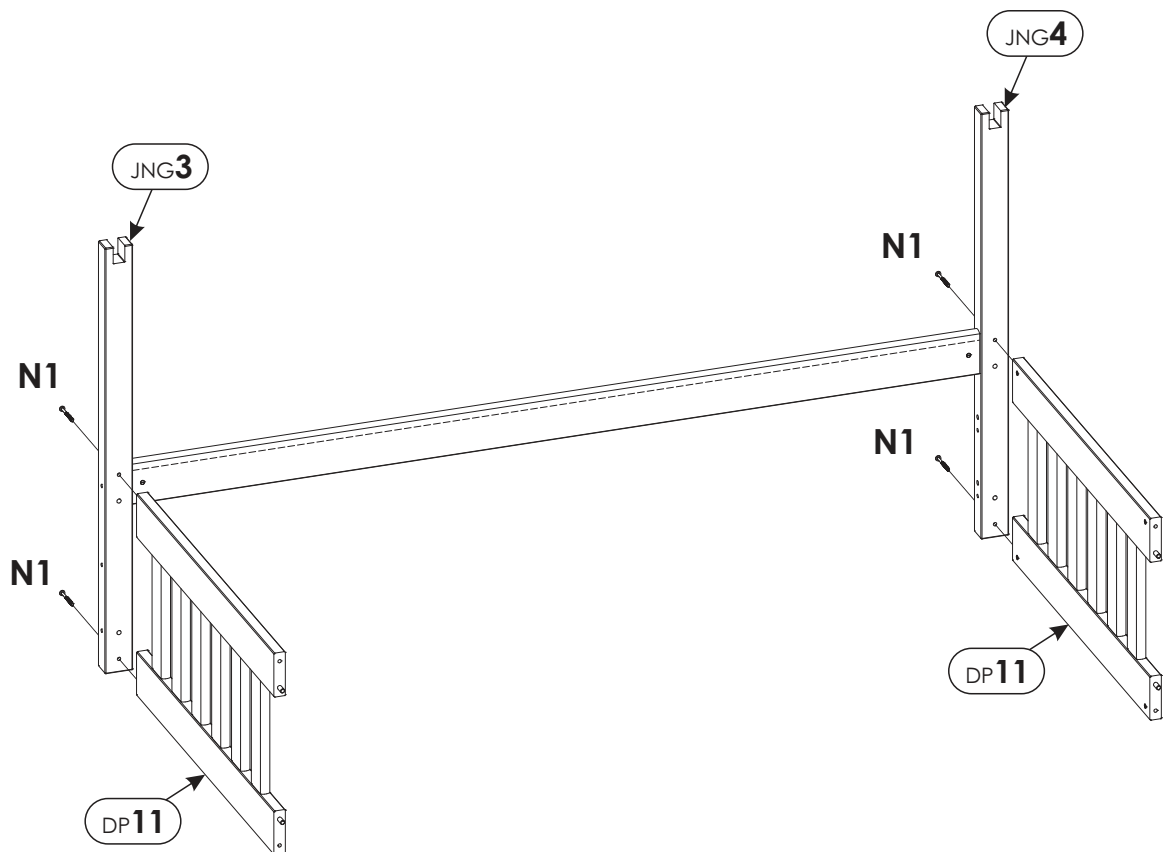
# 12.



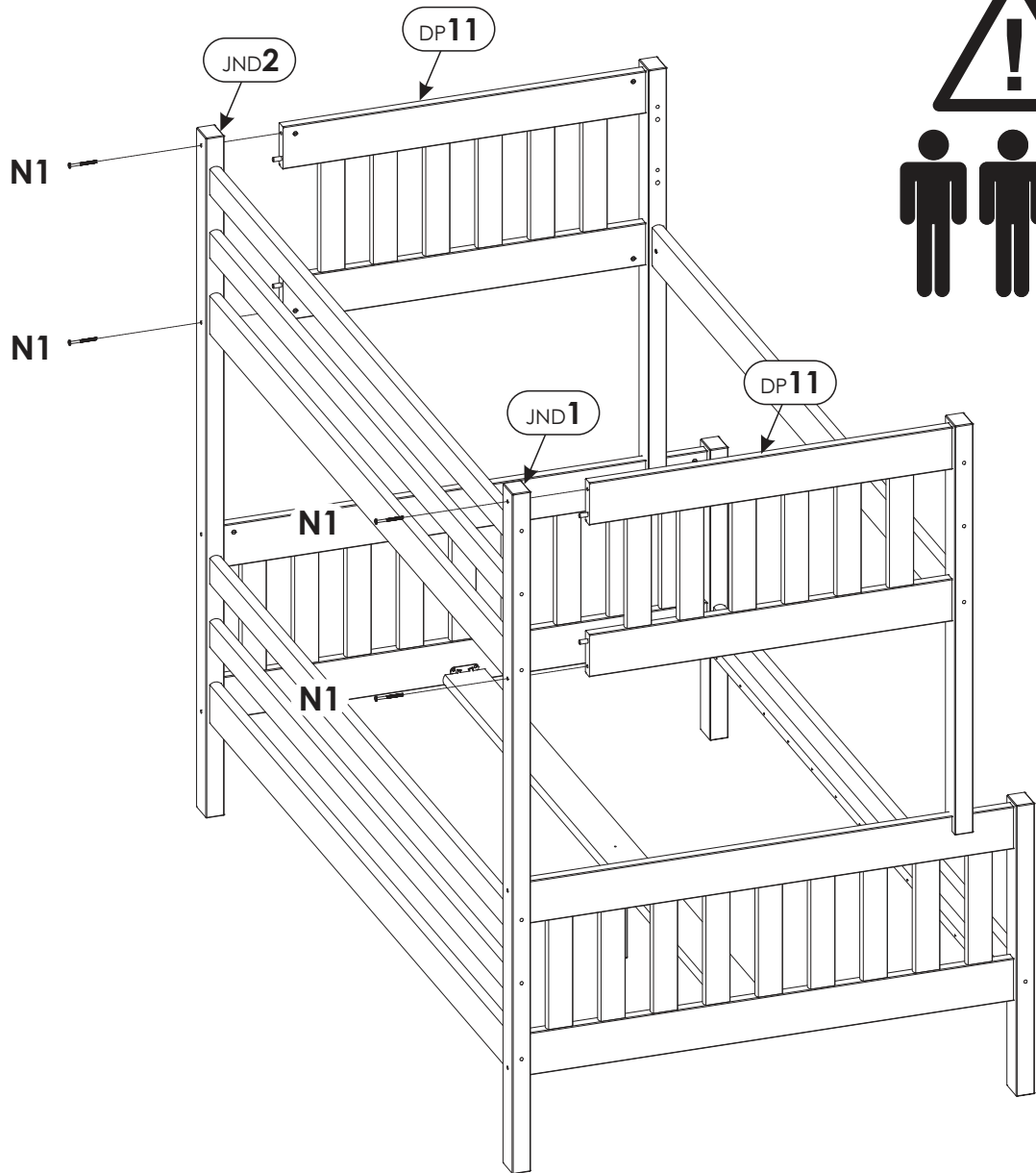
# 13.



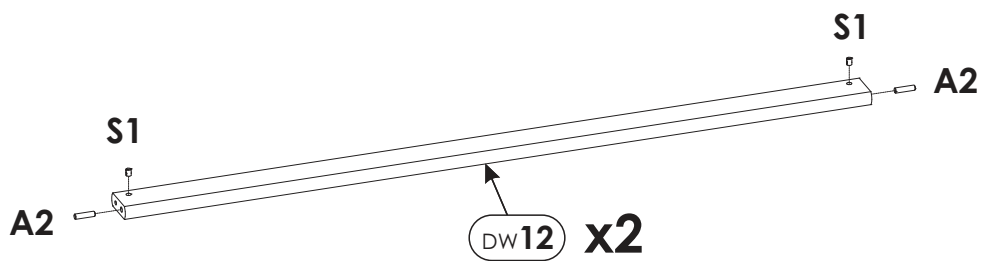
# 14.



# 15.

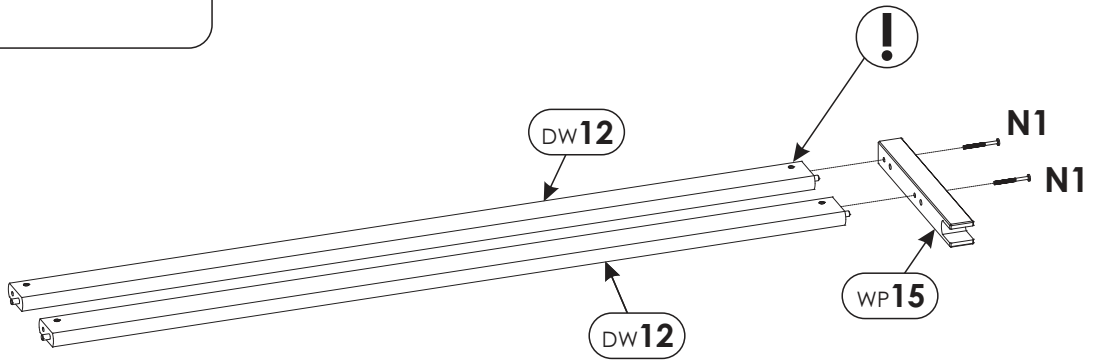
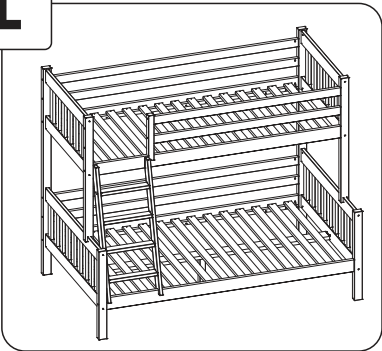


# 16.

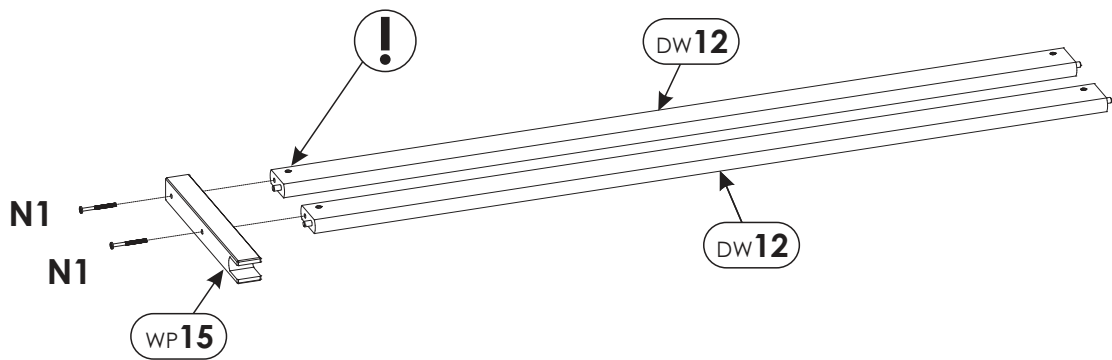
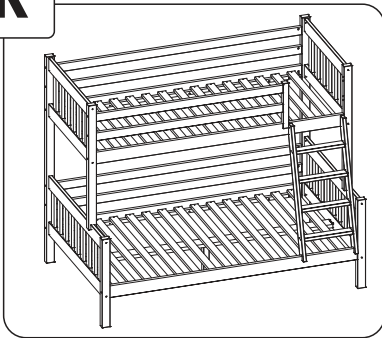


# 17.

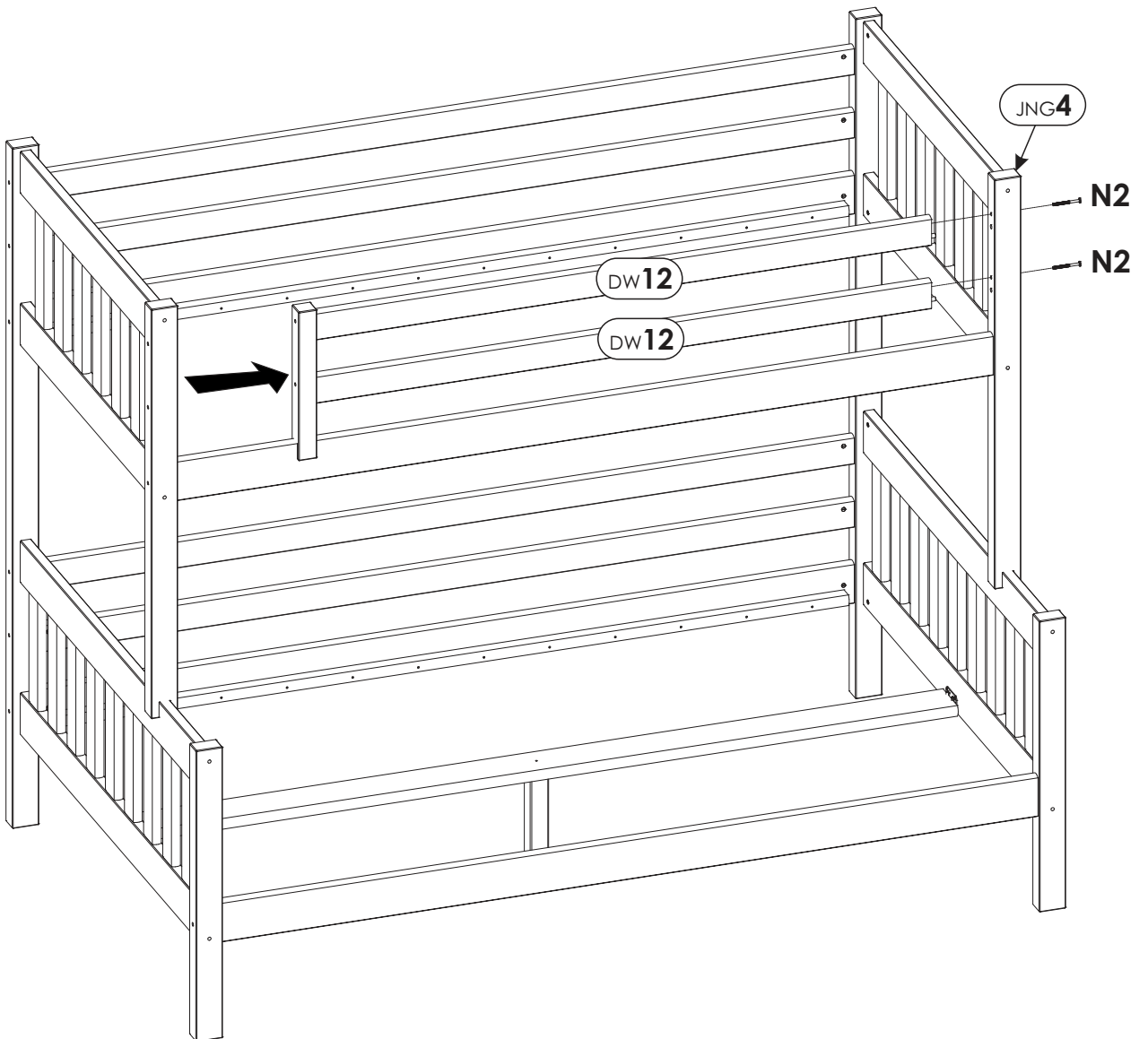
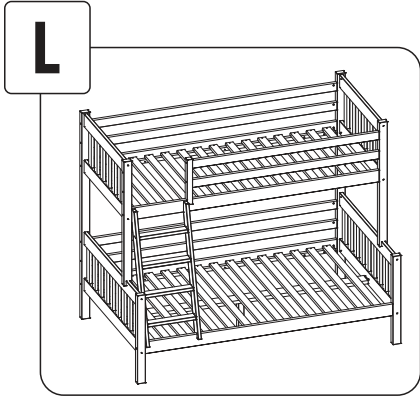
L



R



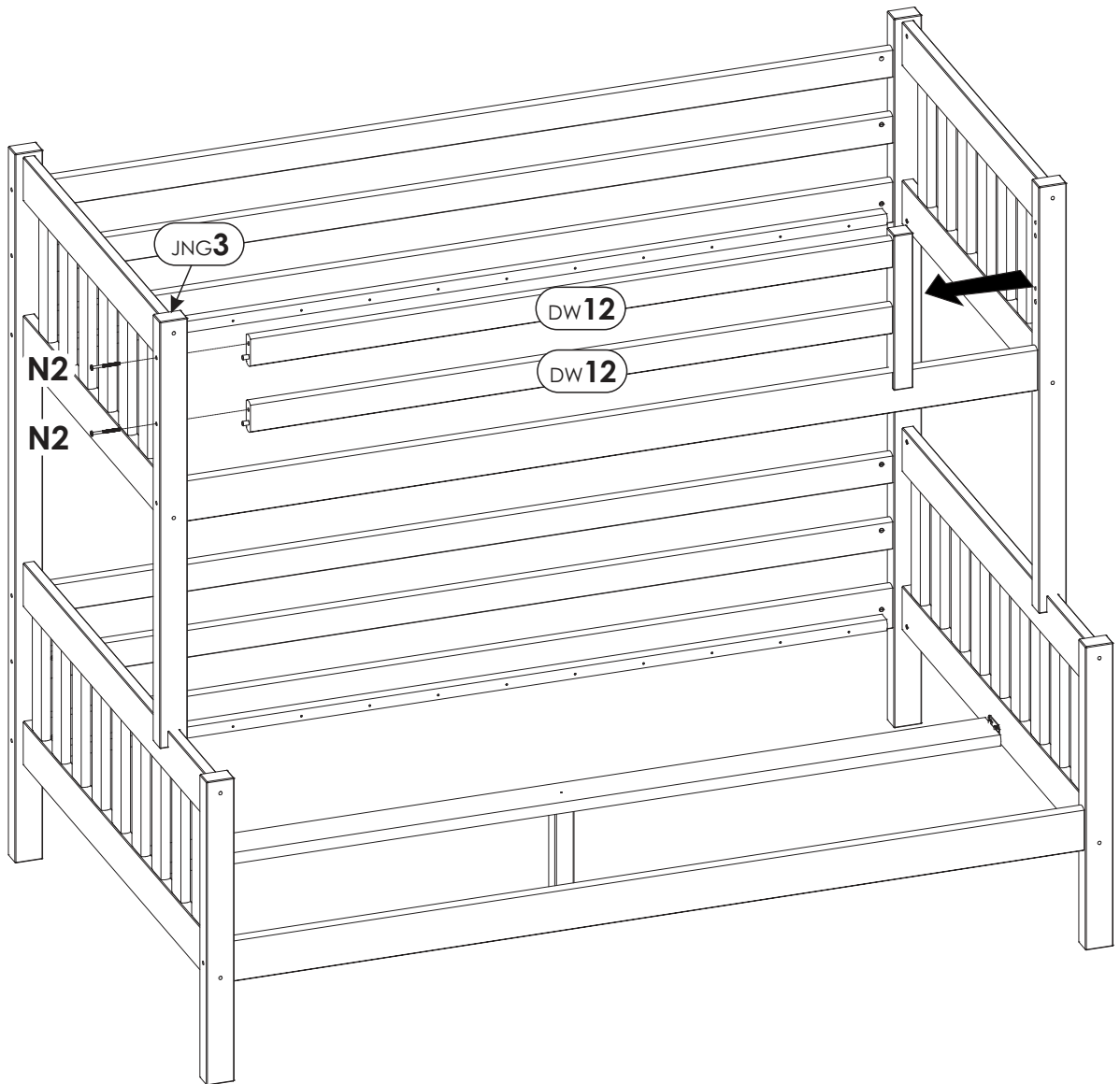
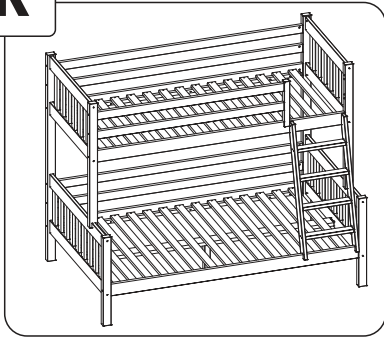
# 18.



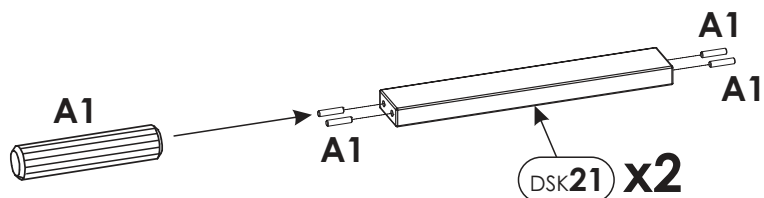


19.

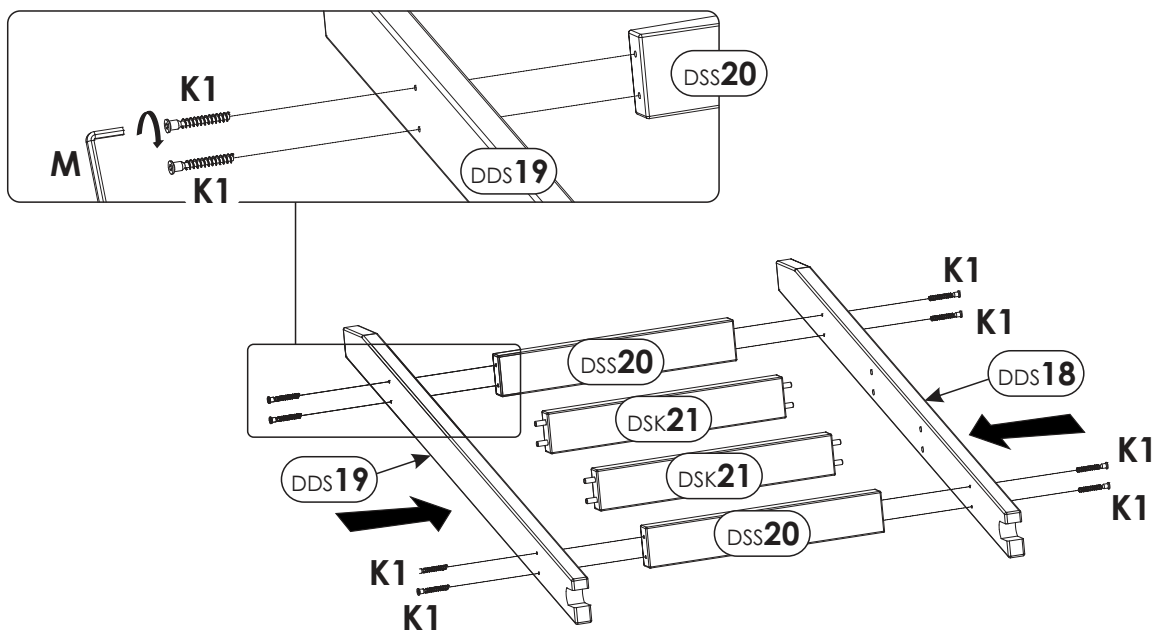
R



# 20.

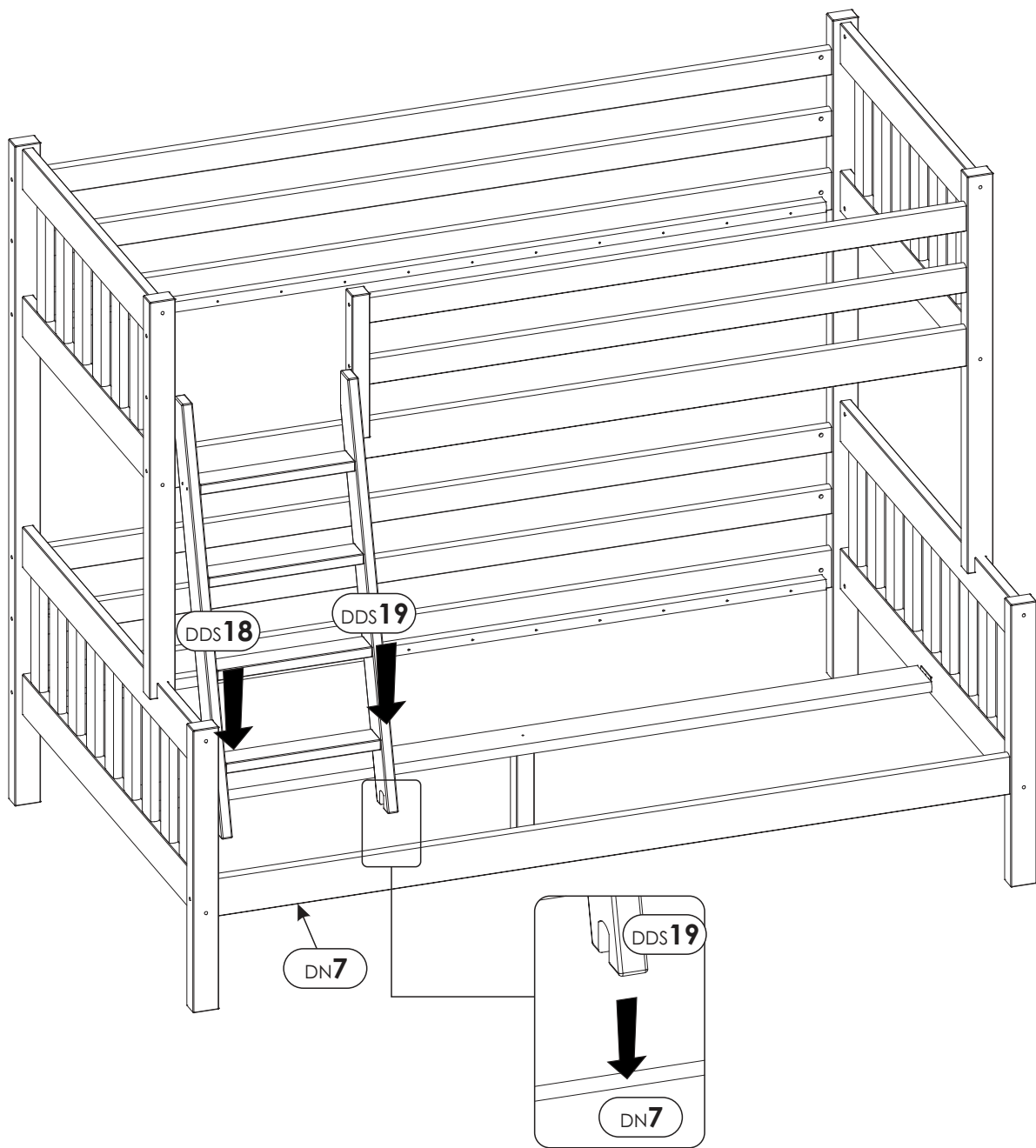
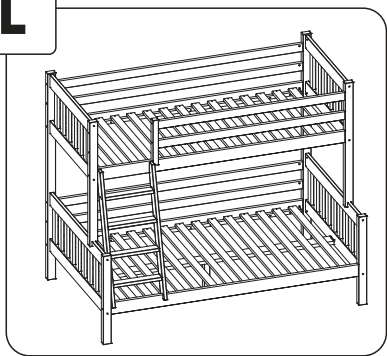


# 21.



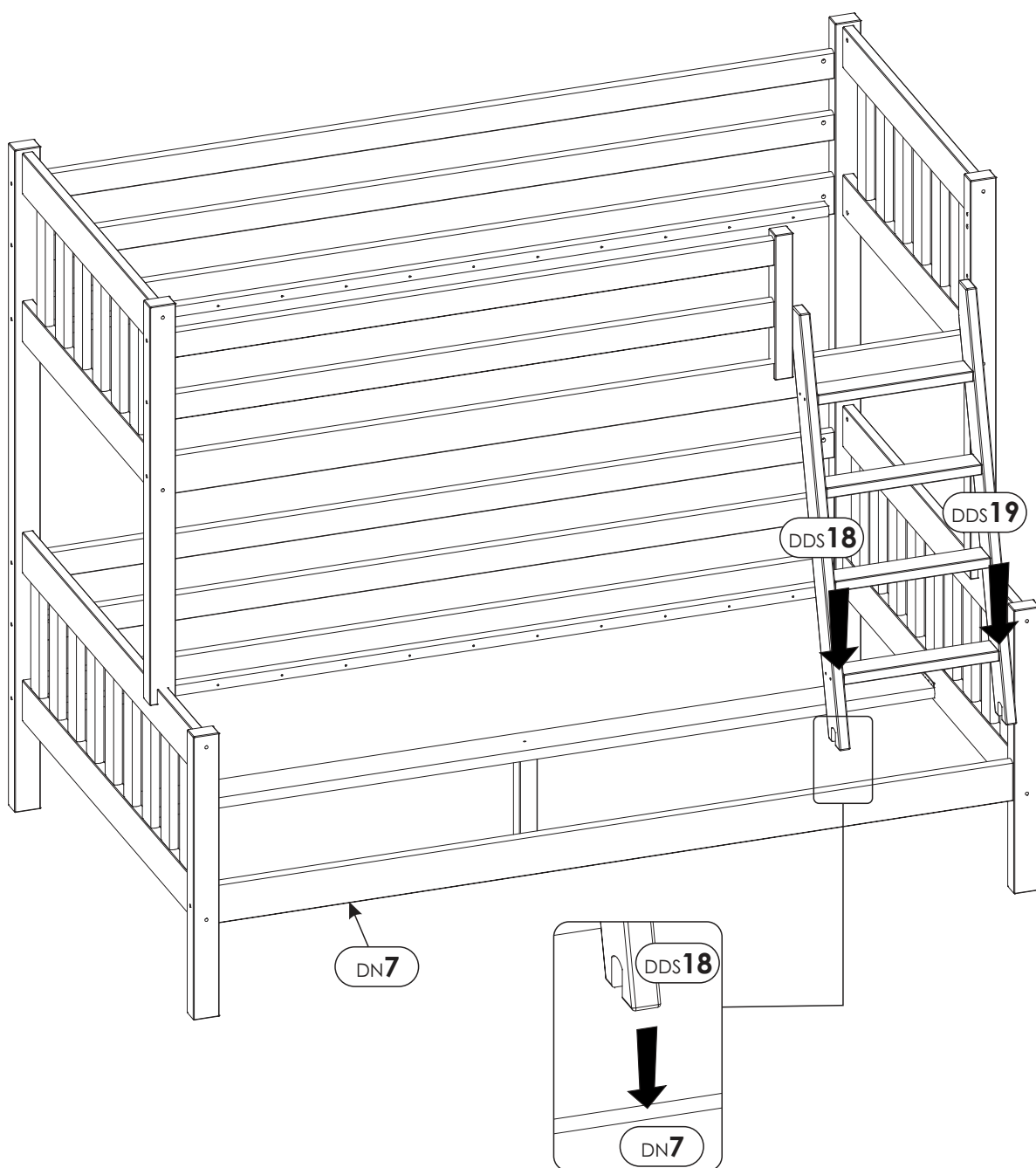
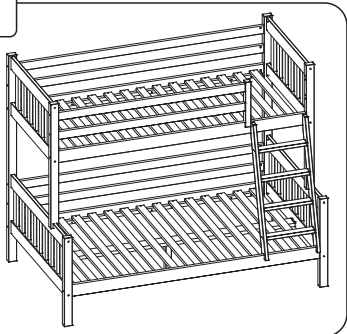
# 22.

L



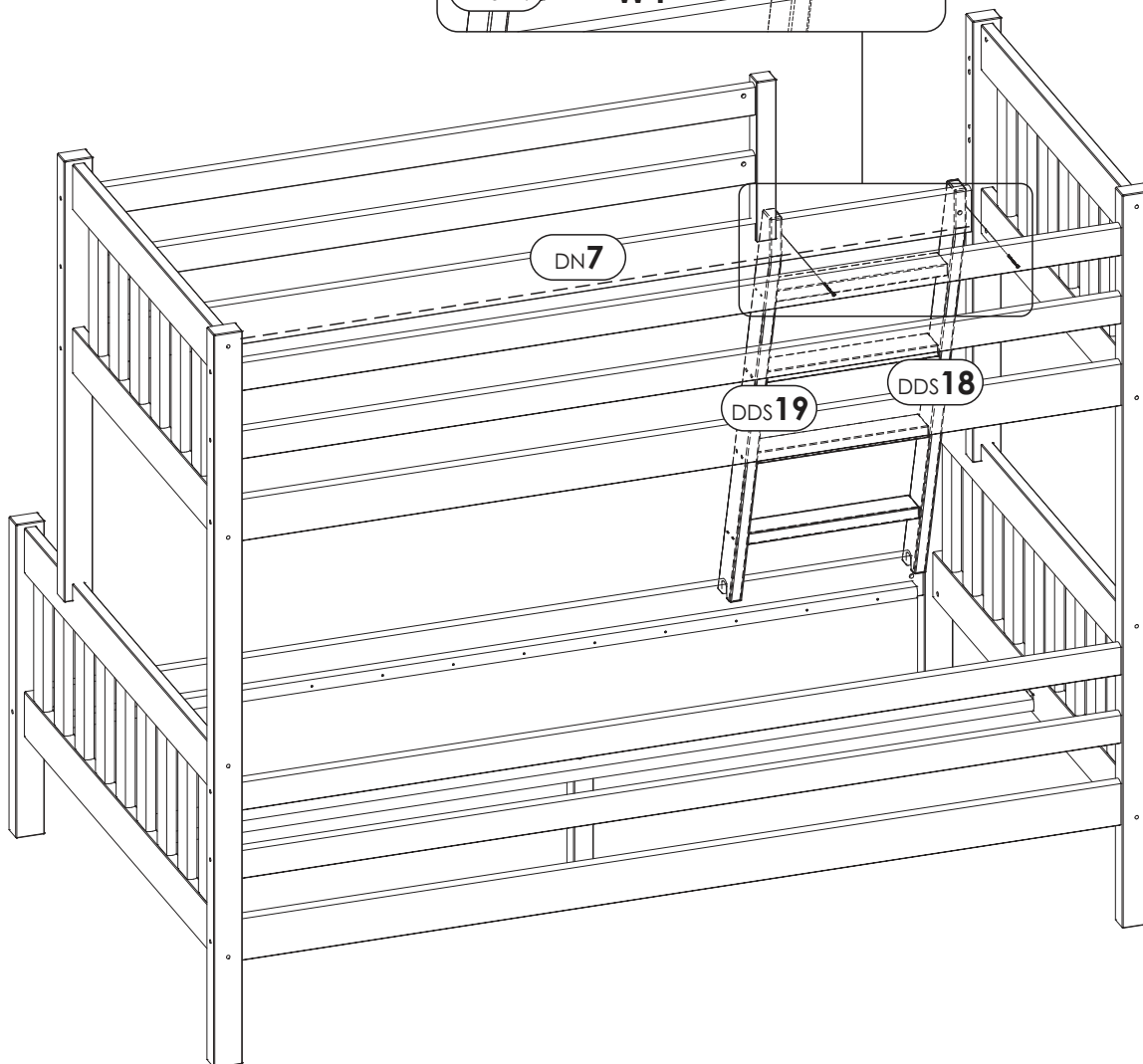
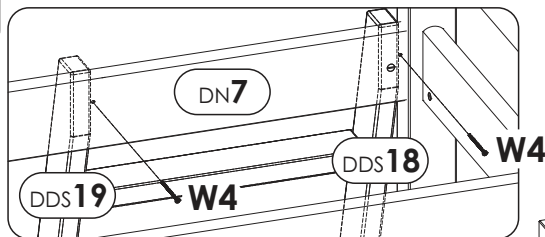
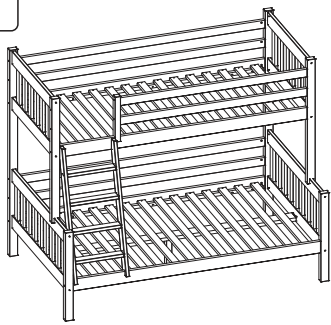
# 23.

R



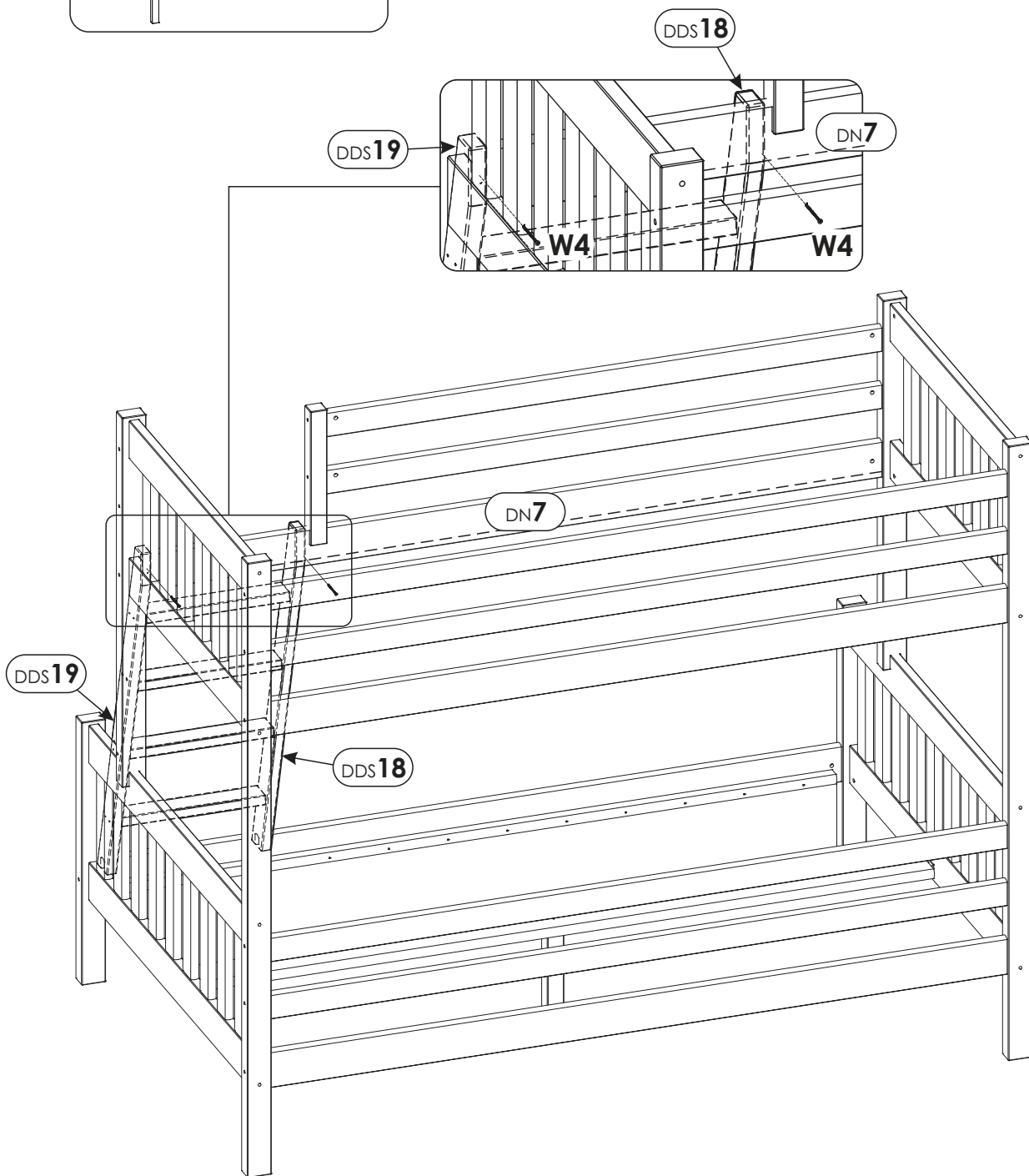
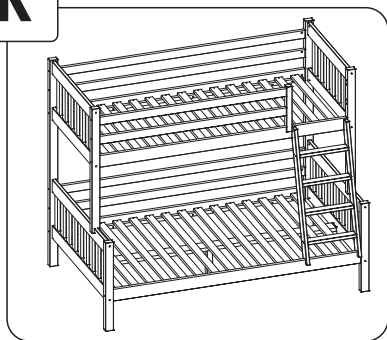
24.

L

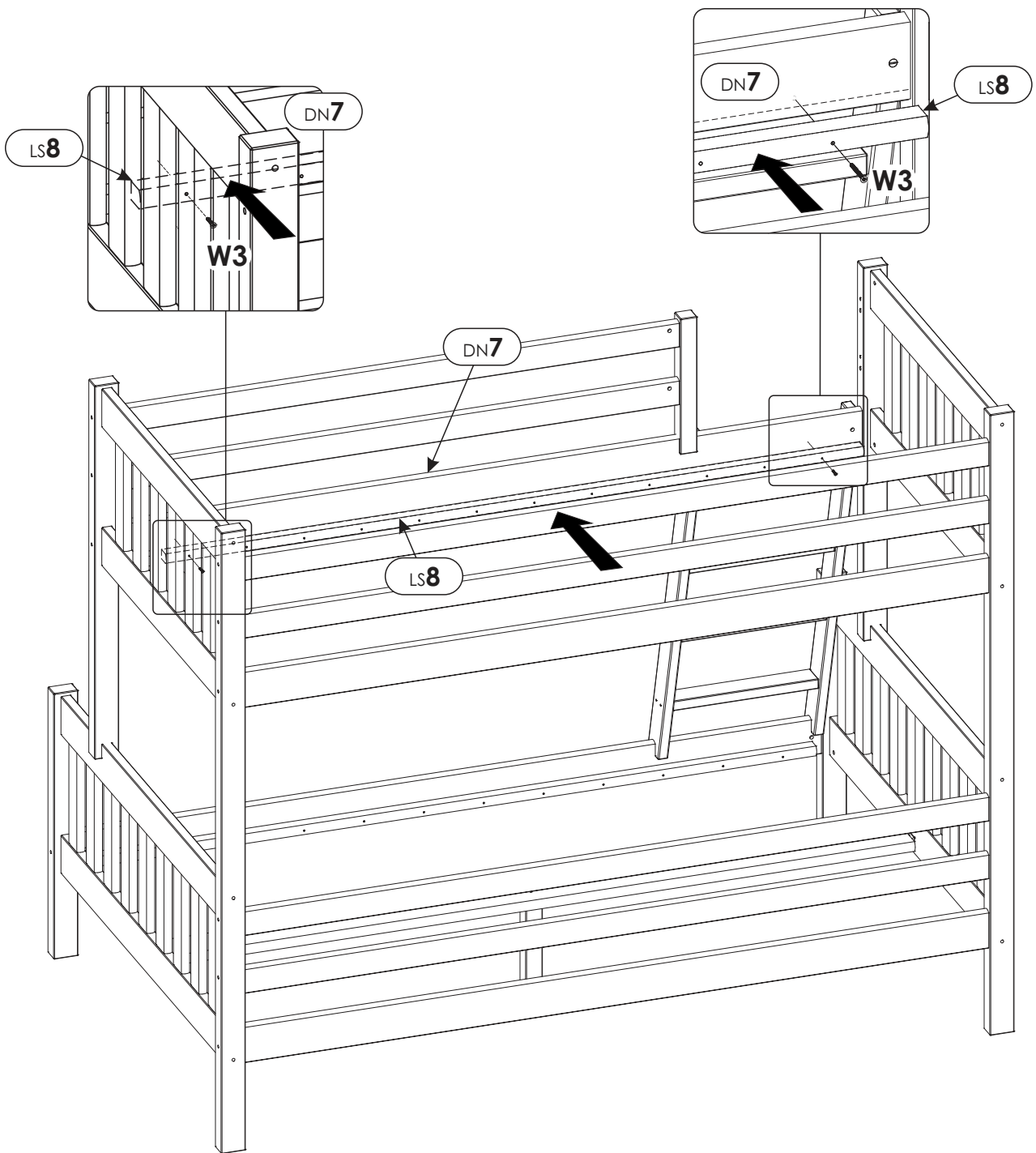


# 25.

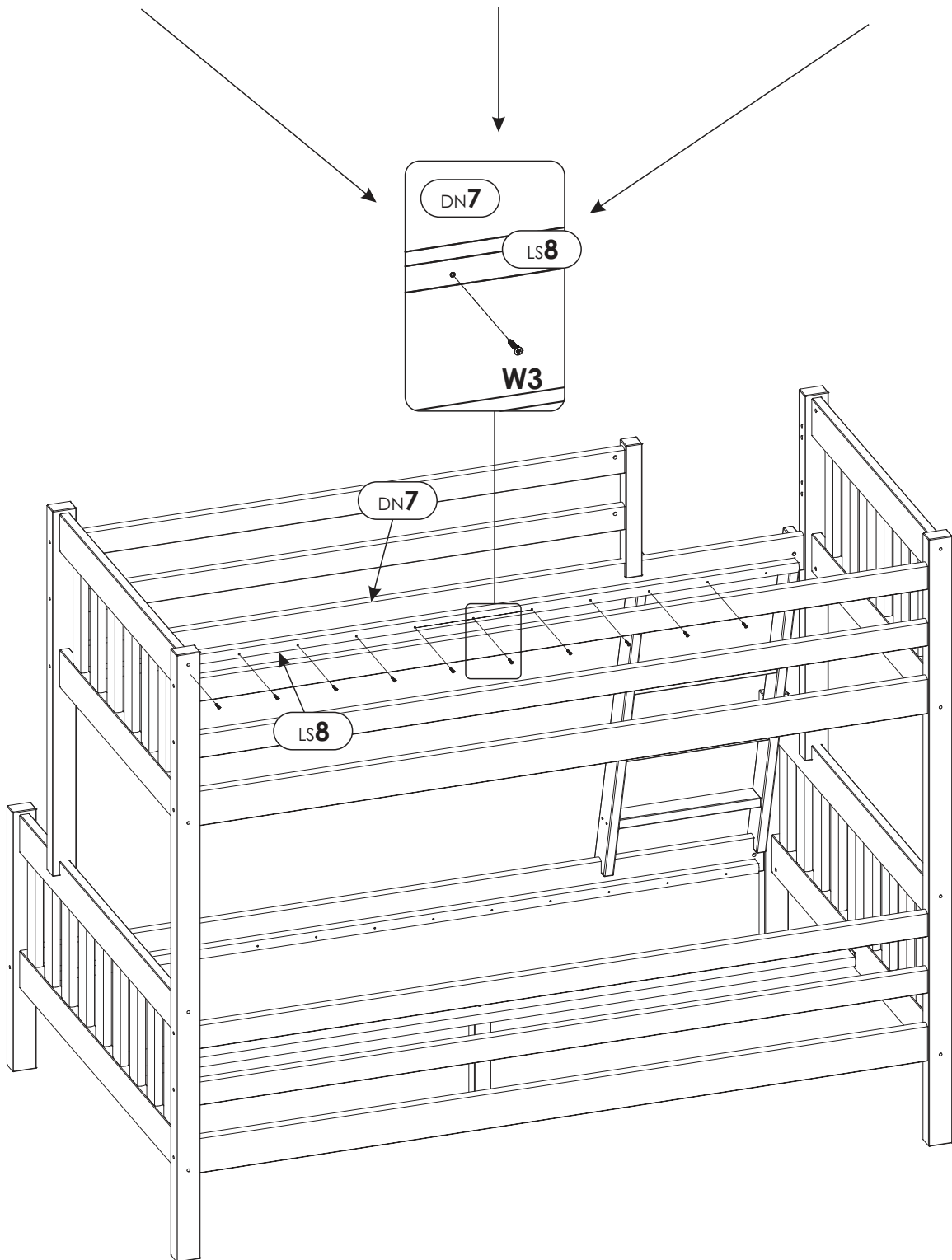
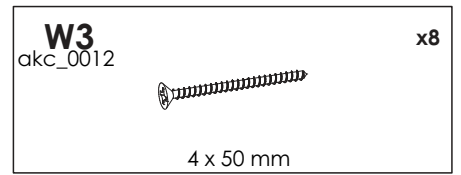
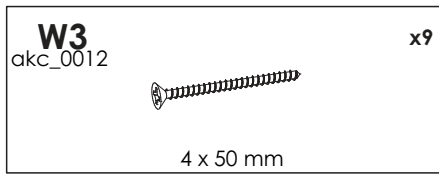
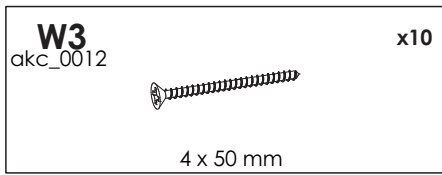
**R**



26.

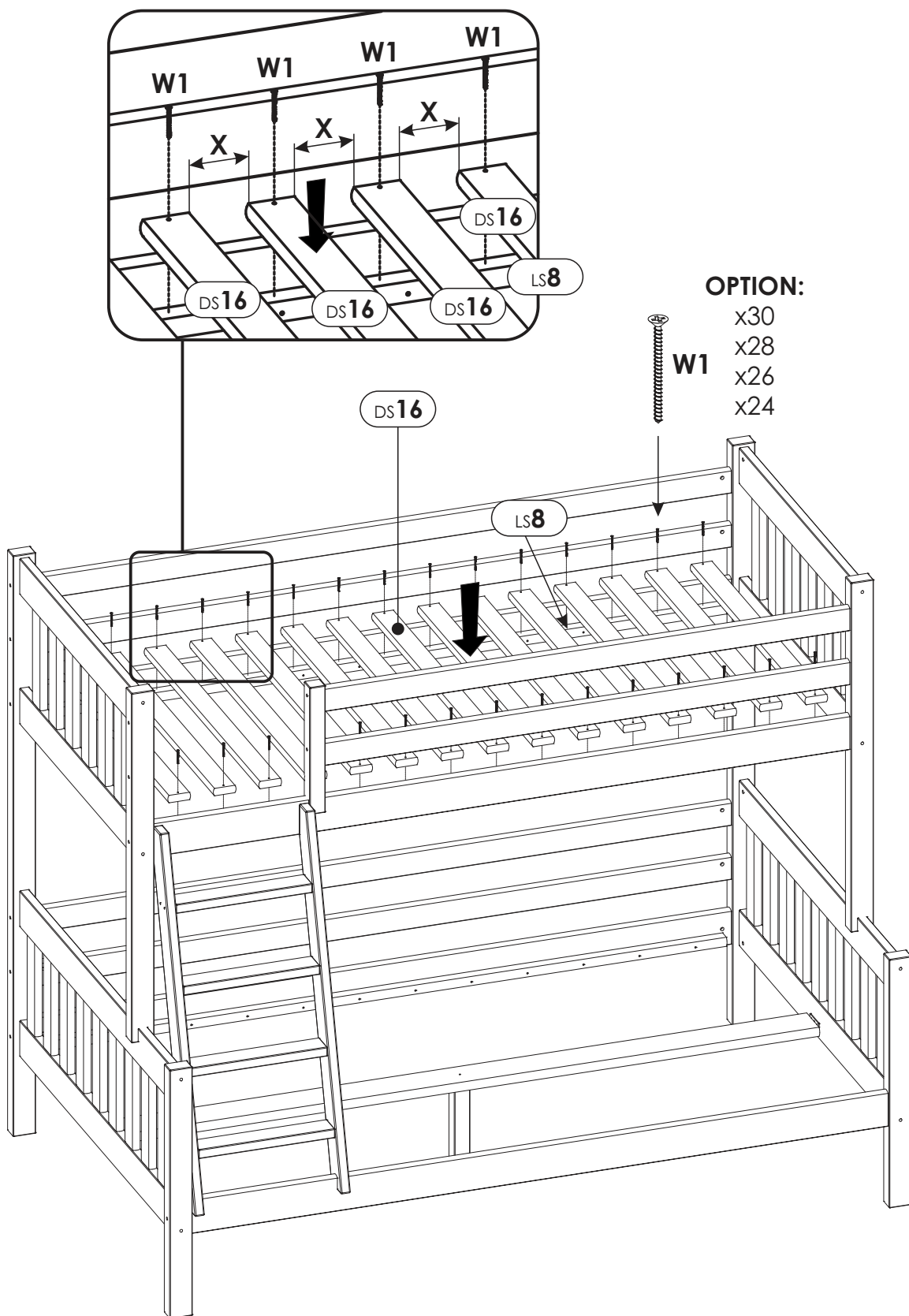


# 27.

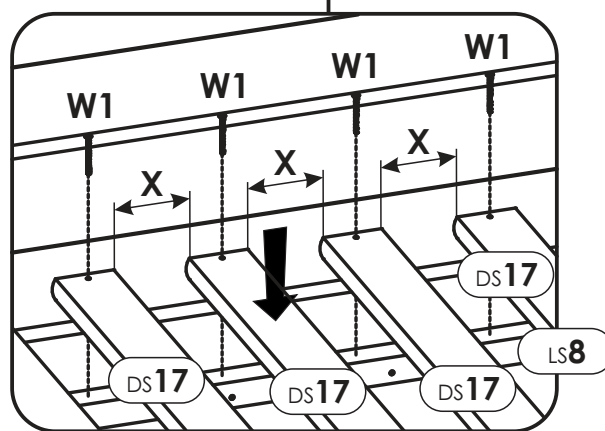
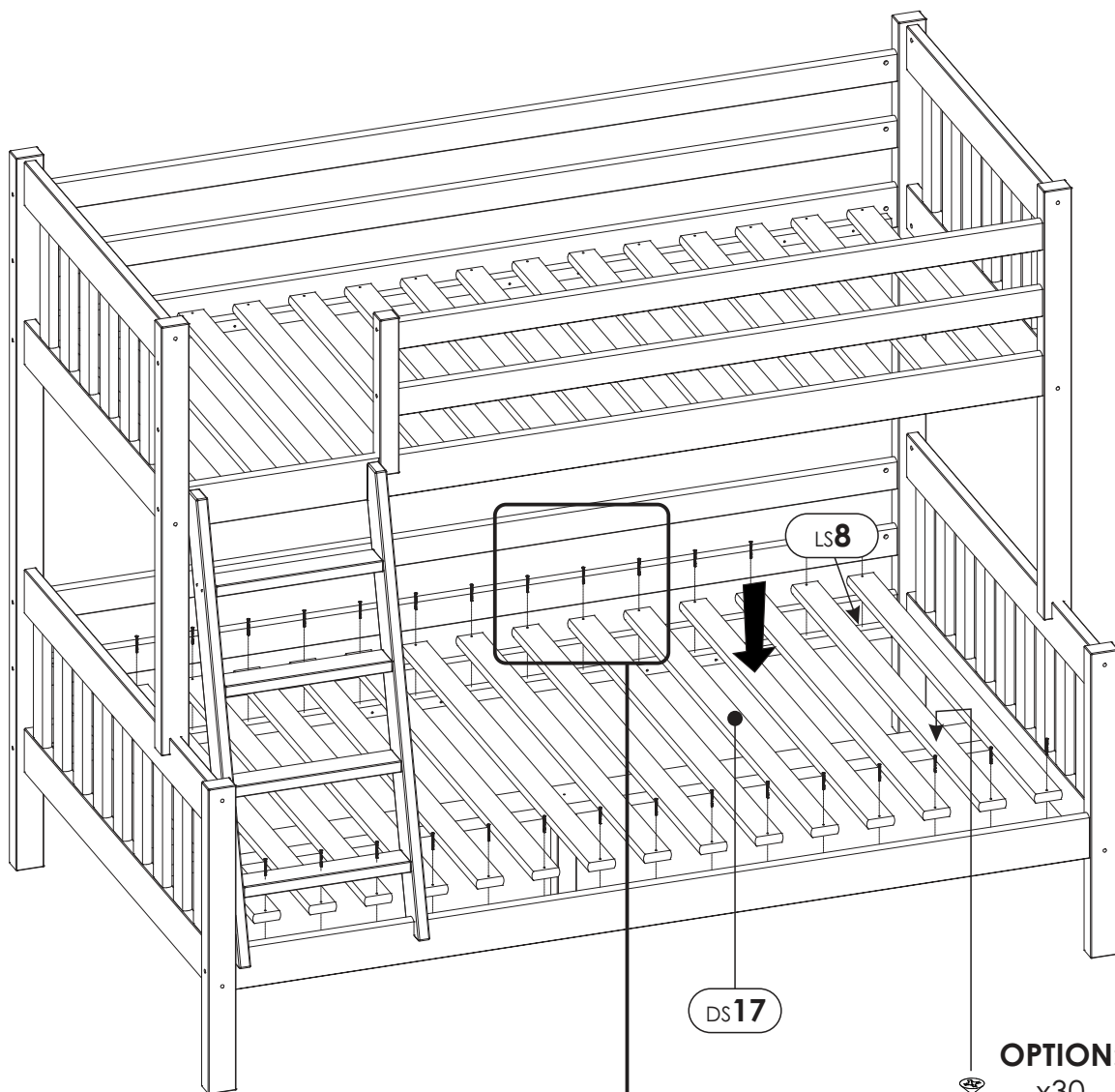




# 28.



# 29.



**OPTION:**  
x30  
x28  
x26  
x24  
**W1**